



A TEREX BRAND



# Parts Manual

Serial Number Range

**Genie Lift**

from 0582-7283 to 0597-20638

Part No. 22186

Rev A25

November 2018

Go to [Discount-Equipment.com](http://Discount-Equipment.com) to order your parts

# PARTS FINDER

**Search Website  
by Part Number**



**Search Manual  
Library For Parts  
Manual & Lookup Part  
Numbers – Purchase  
or Request Quote**

**Search Manuals**

Enter your information to help us find the right parts manual for your machine.

\* Brand:

\* Model:

\* Serial:

\* Part Number:

SEARCH

**Can't Find Part or  
Manual? Request Help  
by Manufacturer,  
Model & Description**

**Parts Order Form**

Please fill in the following information to help us find the right part for your machine.

Manufacturer:	<input type="text"/>
Model:	<input type="text"/>
Description:	<input type="text"/>
Part Number:	<input type="text"/>
Quantity:	<input type="text"/>
Notes:	<input type="text"/>

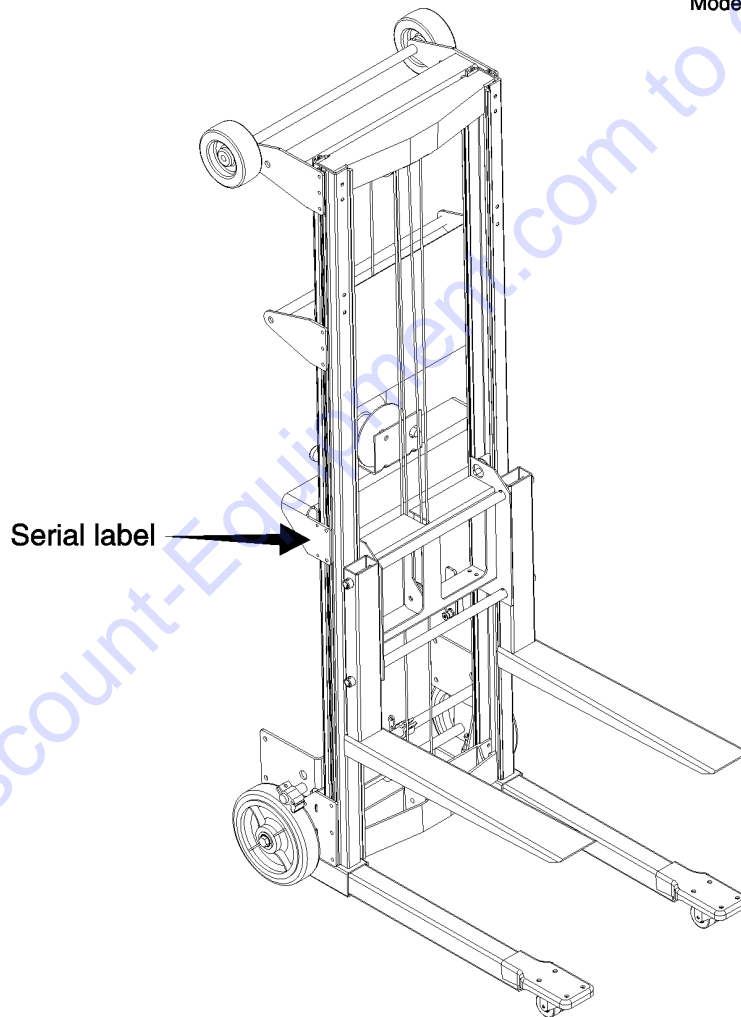
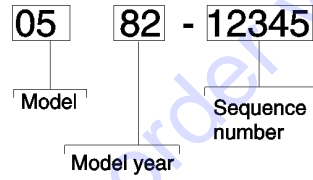
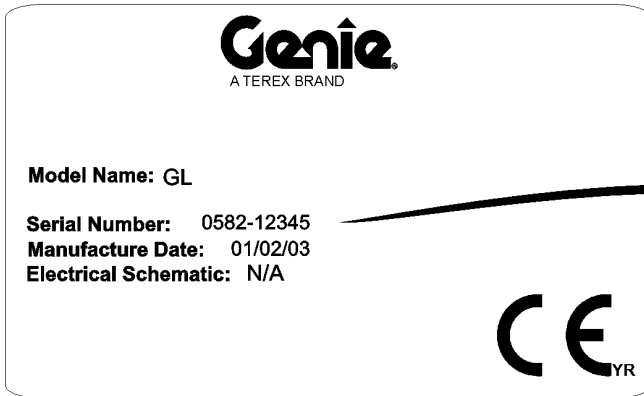
Discount-Equipment.com is your online resource for quality parts & equipment.

Florida: **561-964-4949** Outside Florida TOLL FREE: **877-690-3101**

**Need parts?**

Click on this link: <http://www.discount-equipment.com/category/5443-parts/> and choose one of the options to help get the right parts and equipment you are looking for. Please have the machine model and serial number available in order to help us get you the correct parts. If you don't find the part on the website or on one of the online manuals, please fill out the request form and one of our experienced staff members will get back to you with a quote for the right part that your machine needs.

We sell worldwide for the brands: Genie, Terex, JLG, MultiQuip, Mikasa, Essick, Whiteman, Mayco, Toro Stone, Diamond Products, Generac Magnum, Airman, Haulotte, Barreto, Power Blanket, Nifty Lift, Atlas Copco, Chicago Pneumatic, Allmand, Miller Curber, Skyjack, Lull, Skytrak, Tsurumi, Husquvarna Target, Stow, Wacker, Sakai, Mi-T-M, Sullair, Basic, Dynapac, MBW, Weber, Bartell, Bennar Newman, Haulotte, Ditch Runner, Menegotti, Morrison, Contec, Buddy, Crown, Edco, Wyco, Bomag, Laymor, EZ Trench, Bil-Jax, F.S. Curtis, Gehl Pavers, Heli, Honda, ICS/PowerGrit, IHI, Partner, Imer, Clipper, MMD, Koshin, Rice, CH&E, General Equipment, Amida, Coleman, NAC, Gradall, Square Shooter, Kent, Stanley, Tamco, Toku, Hatz, Kohler, Robin, Wisconsin, Northrock, Oztec, Toker TK, Rol-Air, APT, Wylie, Ingersoll Rand / Doosan, Innovatech, Con X, Ammann, Mecalac, Makinex, Smith Surface Prep, Small Line, Wanco, Yanmar



Go to Discount-Equipment.com to order your parts

Table of Contents

This manual is updated frequently. For the most up-to-date parts information, visit [www.discount-equipment.com](http://www.discount-equipment.com)

How to Read Your Serial Number.....3  
 Parts Stocking List.....7

**Electronic Version**  
 Click on any page number to view the figure.

**100 Parts Figures**

101.1 Genie Lift Overview.....10  
 102.1 Outer Frame and Base Assembly.....12  
 103.1 Inner Frame and Carriage Assembly.....14  
 104.1 Winch Assembly.....16  
 105.1 Accessories: Load Platform , boom, Outriggers.....18  
 106.1 Accessories: Ladder Attachment.....20  
 107.1 Accessories: Stair Glides and Stair Rollers.....22

**Indices**

Part Number Index.....24  
 Part Description Index.....25

**Cross References**

Go to [Discount-Equipment.com](http://Discount-Equipment.com) to order your parts

## Required Parts

The following parts are required to perform maintenance procedures as outlined in the *Genie Lift Service Manual*.

Description	Part No.
Boe Lube (wax) .....	90337
Grease - Lithium (white) 14 oz .....	91670
Coupler - Cable Replacement .....	12402
Brake Disk, UHMW .....	35630
Owner's Manual - Electric Winch .....	35503
Bushing, Large Pinion, Fulton .....	6204
Bushing, Small Pinion, Fulton .....	6199

## Recommended Parts

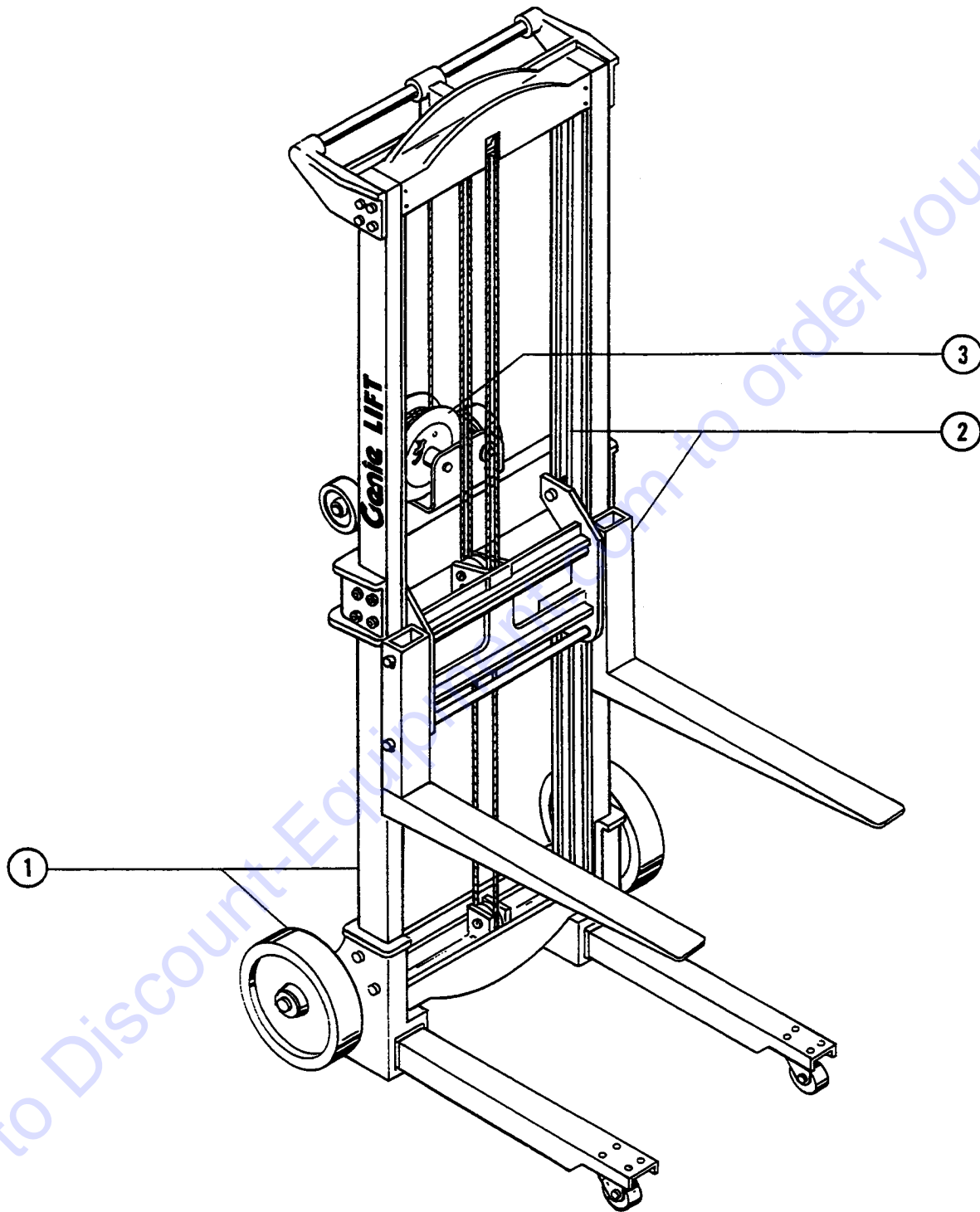
Description	Part No.
Genie Blue Paint, 1 Gallon .....	32150
Genie Blue Paint, 12 Ounce Aerosol .....	1484
Genie Gray Paint, 1 Gallon .....	32151
Genie Gray Paint, 12 Ounce Aerosol .....	1268

Genie also offers the following support documents:

EMI Safety Manual .....	27581
Manual of Responsibilities ANSI A92.5 .....	31587

Go to Discount-Equipment.com to order your parts

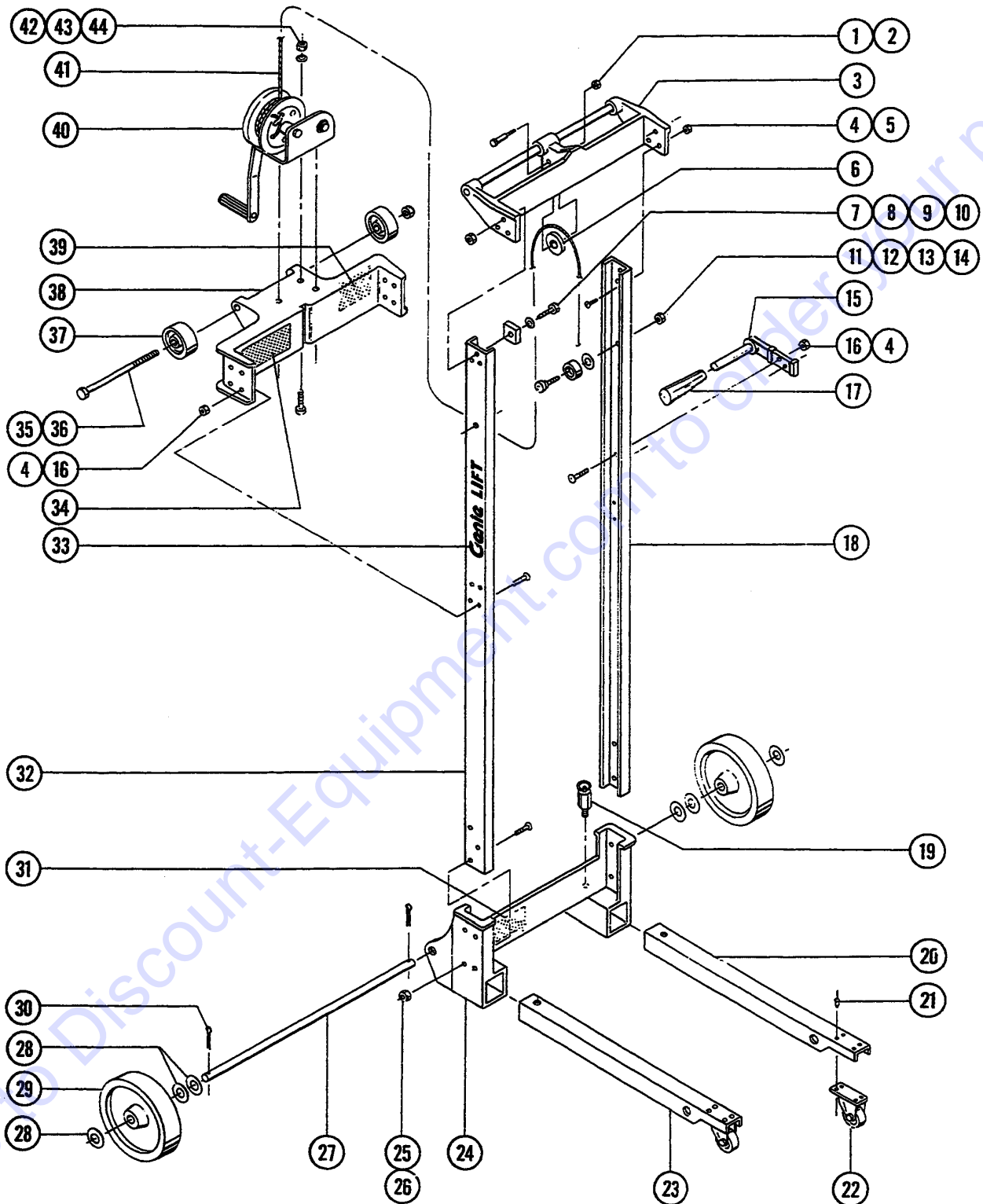
101.1 Genie Lift Overview



Item	Part No.	Description	Qty.
1		Outer Frame and Base Assembly Refer to Figure 2	
2		Inner Frame and Carriage Assembly Refer to Figure 3	
3		Winch Assembly Refer to Figure 4	

Go to Discount-Equipment.com to order your parts

102.1 Outer Frame and Base Assembly

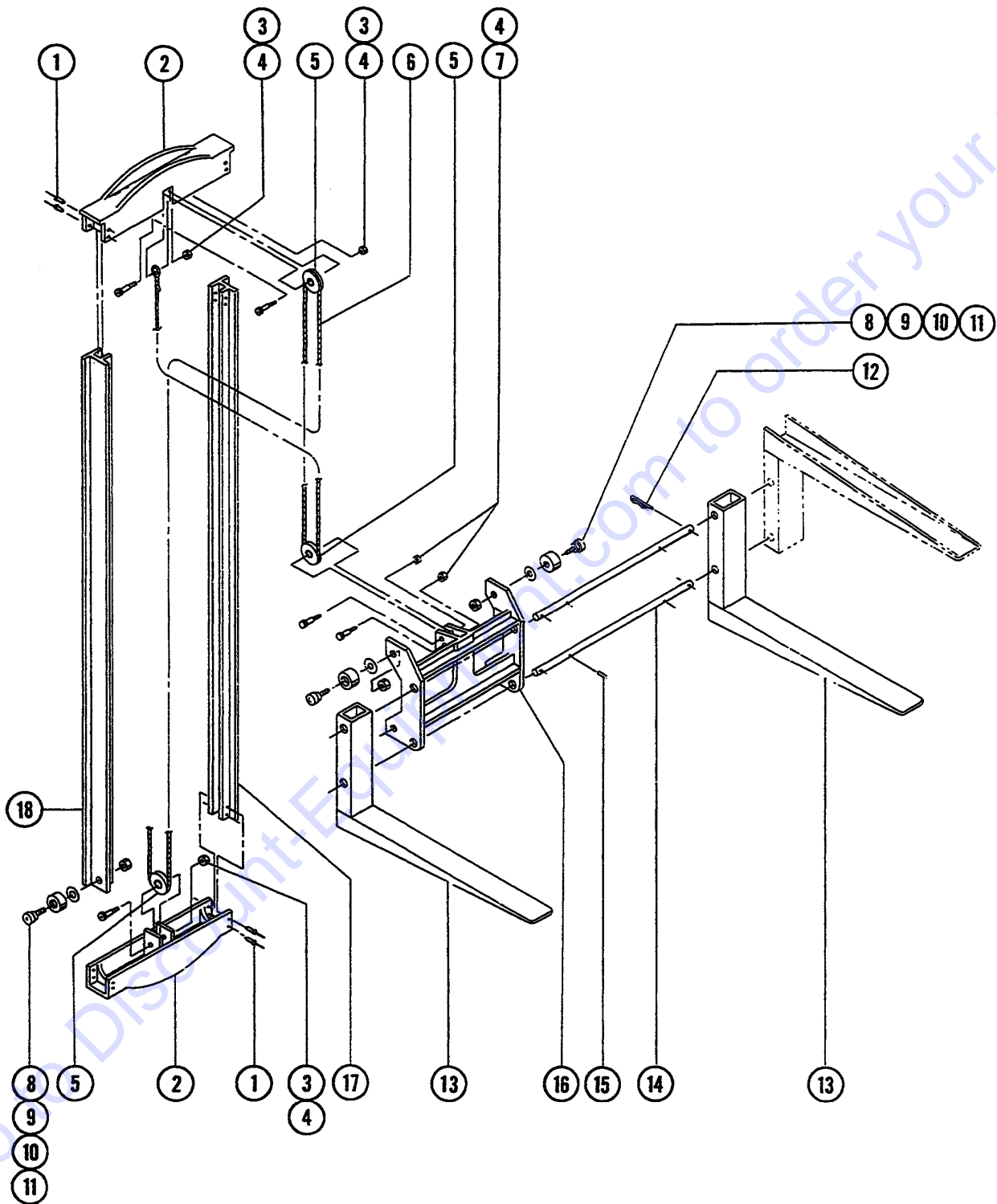




## 102.1 Outer Frame and Base Assembly

Item	Part No.	Description	Qty.	Item	Part No.	Description	Qty.
--	90337GT	BOE LUBE.....1 <i>aluminum dry lubricant</i>	1	29	33852GT	WHEEL, 8 X.625 X 1.625.....2	2
1	5116GT	SCREW,SHS,10-24 X 1.25.....1	1	30	6094GT	PIN,COTTER,.125 X 1.....2	2
2	5365GT	NUT,NYLOCK,10-24.....1	1	31		Serial Number Plate (Consult Factory for Ordering).....2	2
3	1250GT	HANDLE CASTING-GENIE LIFT%%.....1	1	32		CHANNEL-59.06"GL4/8,OUTERFRAME.1 <i>(component no longer available)</i>	1
4	6091GT	NUT,NYLOCK,1/4-20.....18 <i>Models 4 &amp; 8</i>	18	32	5004GT	Outer Frame Channel - R H.....1 <i>Model 10</i>	1
4	6889GT	NUT,LP NYLOCK,1/4-20.....22 <i>Models 10 &amp; 12</i>	22	32	5006GT	Outer Frame Channel - R H.....1 <i>Model 12</i>	1
5	8514GT	SCREW,FHS,1/4-20 X .75.....10	10	33	5163GT	DECAL,GENIE LIFT.....2	2
6	5057GT	OBS.SEE 28687 (PULLEY).....1	1	34	5189GT	DECAL,CAUTION".....1	1
7	4828GT	NUT,NYLOCK,3/8-16.....2	2	35	14181GT	SCREW,HHC,1/2-13 X 12 GRD.2.....1	1
8	11544GT	SLIDER BLOCK.....2 <i>Model 4 only</i>	2	36	6086GT	NUT,LP NYLOCK,1/2-13.....1	1
9	6097GT	WASHER,FLAT,USS,3/8",Y.....2	2	37	57784GT	WHEEL,POLYOLEFIN,4X1.25,1/2.....2	2
10	13918GT	SCREW,HHC,3/8-16 X 1.75,GRD.8.....2	2	38	5104GT	WINCH CASTING,GL/HL,DRILLED.....1	1
11	21280GT	BOLT-ROLLER,3/8-24 X 1.69-ZINC.....4 <i>Models 8, 10, &amp; 12</i>	4	39	5250GT	DECAL,350# GENERAL INSTRUCTION.....1 <i>Models 8, 10 &amp; 12</i>	1
12	5117GT	ROLLER,NYLATRON, 1.437" O.D.....4 <i>Models 8, 10, &amp; 12</i>	4	39	5251GT	DECAL,400.LB GL,GENERAL INSTR.....1 <i>Model 4</i>	1
13	7268GT	WASHER,SHIM,.375 X.625X.033 ST.....4 <i>Models 8, 10, &amp; 12</i>	4	40		Winch Assembly Refer to Figure 4.....1	1
14	5408GT	NUT,LP NYLOCK,3/8-24.....4 <i>Models 8, 10 &amp; 12</i>	4	41	5270GT	CABLE ASSEMBLY GL #8.....1 <i>Model 8</i>	1
15		HANDLE GRIP CASTING,STOCK.....2 <i>component no longer available</i>	2	41	5271GT	CABLE ASSEMBLY-GL#10.....1 <i>Model 10</i>	1
16		Bolt - FHMS, 1/4 - 20 x 1", Pltd.....12 <i>Models 10 &amp; 12</i>	12	41	5272GT	CABLE ASSEMBLY-GL#12.....1 <i>Model 12</i>	1
16	14182GT	SCREW,FHS,1/4-20 X 1.....8 <i>Models 4 &amp; 8</i>	8	41	5393GT	CABLE ASSEMBLY-GL#4.....1 <i>Model 4</i>	1
17	235184GT	GRIP,HANDLE.....2 <i>Models 10 &amp; 12</i>	2	42	6019GT	SCREW,HHC,3/8-16 X 1.25 GRD 5.....3	3
18		CHANNEL-83.06"GL#12,OUTERFRAME (5005).....1 <i>(component no longer available)</i>	1	43	6021GT	WASHER,LOCK,.375.....3	3
18	5003GT	CHANNEL-71.06"GL#10,OUTERFRAME.1 <i>Model 10</i>	1	44	4828GT	NUT,NYLOCK,3/8-16.....3	3
19	6277GT	PIN,LOCK,SHORT W/PULL RING.....2	2				
20	20056PGT	LEG STAMPING,GL, PAINTED.....1	1				
21	6271GT	RIVET,STL,STL.MAN,P,.25 X .25.....4	4				
22	124175GT	KIT,GL CASTER.....2	2				
23	20098GT	LEG ASSEMBLY-GL.....2 <i>includes caster</i>	2				
24	5103GT	BASE CASTING,GL/HL--DRILLED.....1	1				
25	6889GT	NUT,LP NYLOCK,1/4-20.....6	6				
26	21671GT	SCREW,FHS,1/4-20 X .88.....6	6				
27	5212ZGT	AXLE-.625 X 24",ZINC (GL/HL).....1	1				
28	6035GT	WASHER,FLAT,USS,5/8",Y.....6	6				

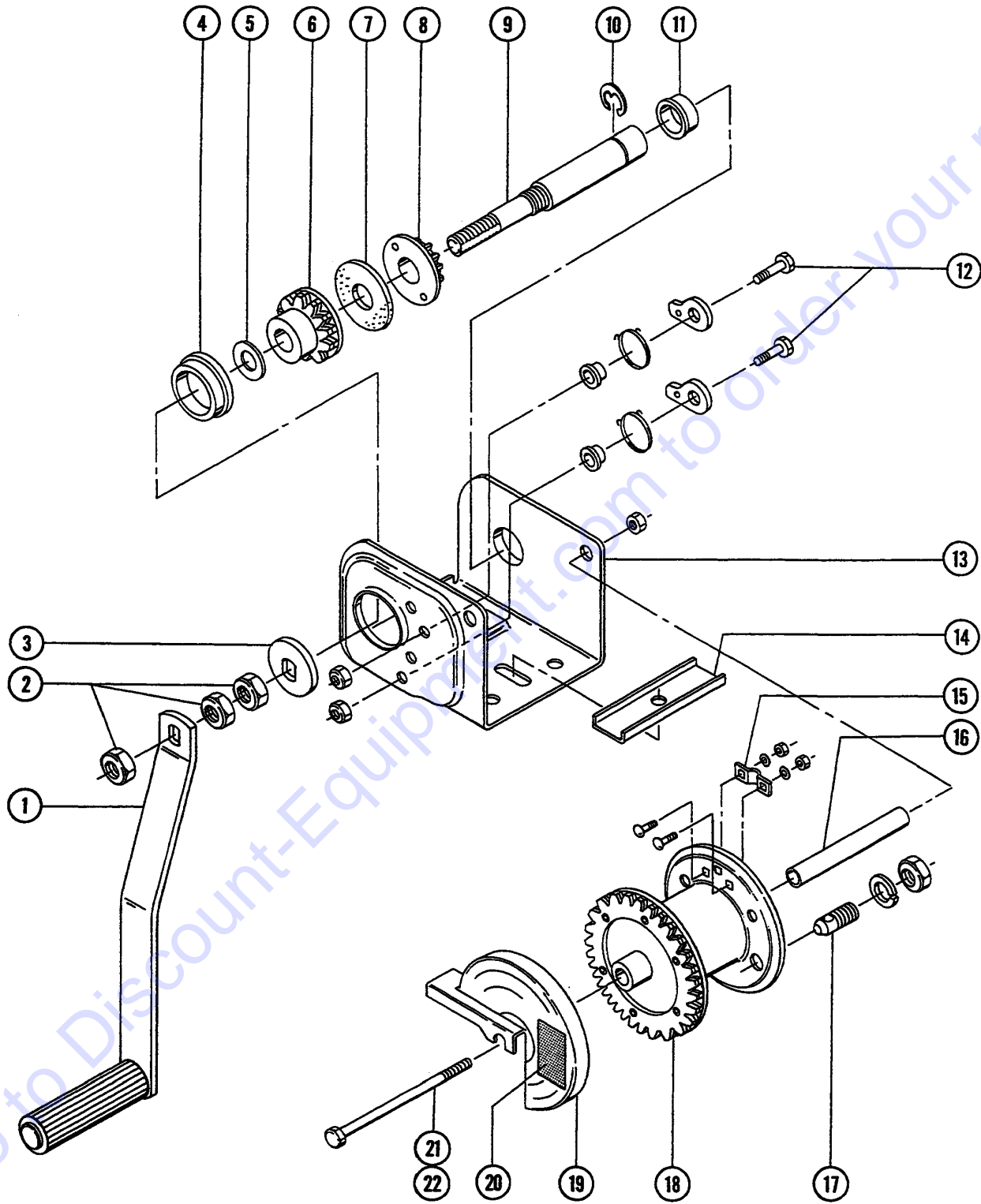
103.1 Inner Frame and Carriage Assembly



## 103.1 Inner Frame and Carriage Assembly

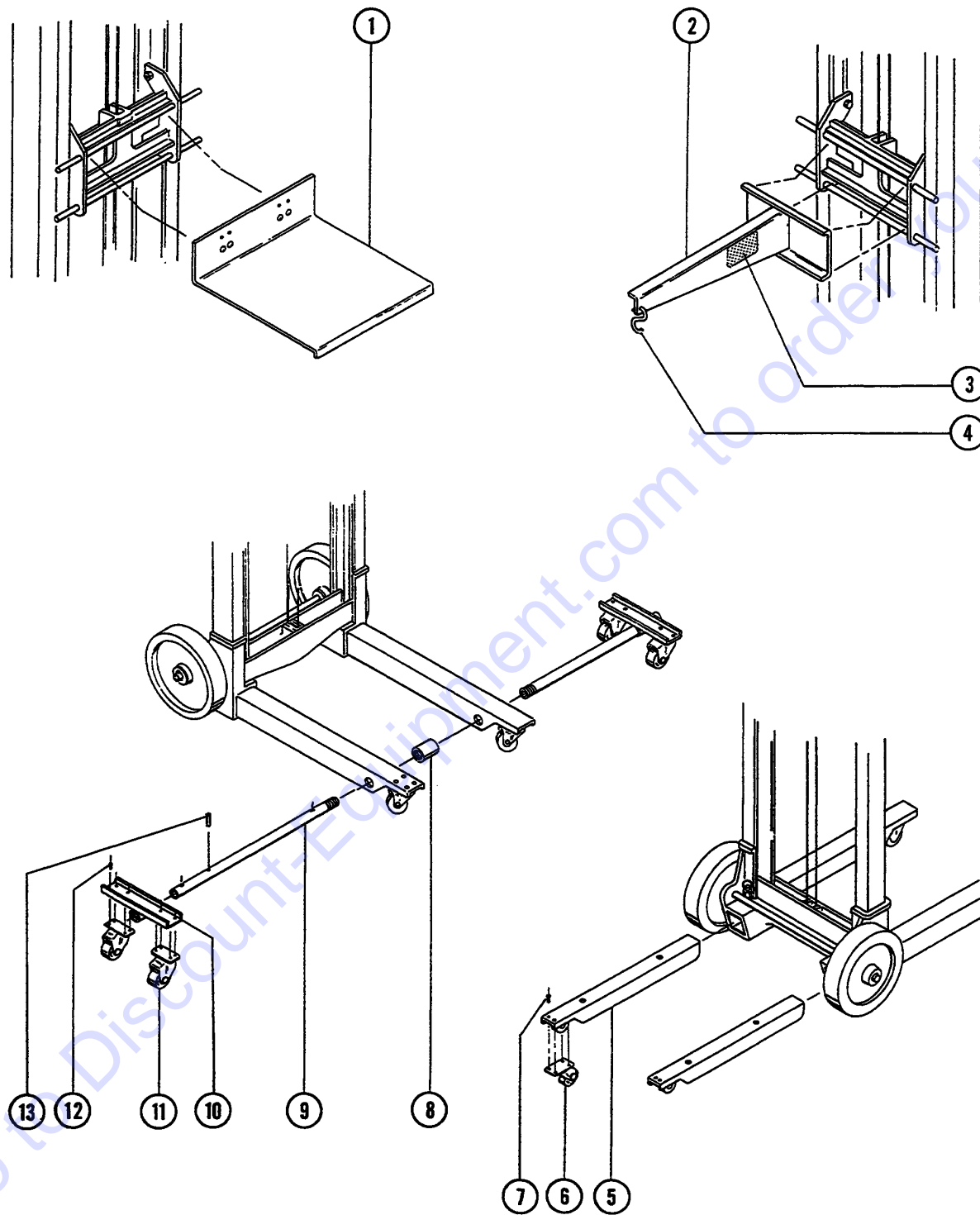
Item	Part No.	Description	Qty.
--	90337GT	BOE LUBE.....1 <i>aluminum dry lubricant</i>	1
1	6876GT	RIVET,ALUM,STL,P,.25 X .375%.....16	16
2	5106GT	INNER FRAME CSTG-DRILL(UP&LWR).....2	2
3	5115GT	SCREW,SHS,10-24 X 1.....3	3
4	5365GT	NUT,NYLOCK,10-24.....5	5
5		Pulley with Bearing.....3 <i>Models 8, 10, &amp; 12</i>	3
5	5057GT	OBS.SEE 28687 (PULLEY).....1 <i>Model 4</i>	1
6	5270GT	CABLE ASSEMBLY GL #8.....1 <i>Model 8</i>	1
6	5271GT	CABLE ASSEMBLY-GL#10.....1 <i>Model 10</i>	1
6	5272GT	CABLE ASSEMBLY-GL#12.....1 <i>Model 12</i>	1
6	5393GT	CABLE ASSEMBLY-GL#4.....1 <i>Model 4</i>	1
7	5116GT	SCREW,SHS,10-24 X 1.25.....2	2
8		Roller Bolt.....6 <i>Models 8, 10, &amp; 12</i>	6
8	21280GT	BOLT-ROLLER,3/8-24 X 1.69-ZINC.....4 <i>Model 4</i>	4
9		Roller.....6 <i>Models 8, 10, &amp; 12</i>	6
9	5117GT	ROLLER,NYLATRON, 1.437" O.D.....4 <i>Model 4</i>	4
10		Washer-Shim, .375" x .625" x .033".....6 <i>Models 8, 10, &amp; 12</i>	6
10	7268GT	WASHER,SHIM,.375 X.625X.033 ST.....4 <i>Model 4</i>	4
11		Nut - Low Profile Nylock, 3/8 - 24.....6 <i>Models 8, 10, &amp; 12</i>	6
11	5408GT	NUT,LP NYLOCK,3/8-24.....4 <i>Model 4</i>	4
12	5135GT	CLIP,HAIR PIN .094 X 2.5.....2	2
13	5122GT	FORK WELDMENT GL(SINGLE).....2	2
14	5124ZGT	FORK SUPPT.TUBE,GL,18.63"-ZINC.....2	2
15	6142GT	PIN,ROLL,.125 X 1.25.....4	4
16	5107GT	CARRIAGE CASTING,STD-DRILLED.....1 <i>Models 8, 10, &amp; 12</i>	1
16	5108GT	CASTING,WIDE CARRIAGE,GL #4.....1 <i>Model 4</i>	1
17		CHANNEL,LH-GL8 INNER FRM-58.56...1 <i>Model 8, part obsolete, no longer available from supplier</i>	1
18		CHANNEL,RH-GL12 INN.FRM-82.56"....1 <i>Model 12, part obsolete, no longer available from supplier</i>	1

104.1 Winch Assembly



Item	Part No.	Description	Qty.
--	1282486GT	WINCH REINFORCE.PLATE --(BLUE)	
--	5033GT	WINCH ASSY-KX1051,W/SHORT HNDL	
--	5109GT	WINCH ASSEMBLY-GL/HL KX1051	
1	16342GT	WINCH HANDLE-O.A.LENGTH-11".....1	
1	16344GT	WINCH HANDLE-O.A.LENGTH-6.25".....1	
2	6034GT	NUT,HEX,JAM,1/2-13.....3	
3	14189GT	PINION PLATE (KX/KH-1051,1050).....1	
4	6204GT	BUSHING, LARGE PINION, FULTON.....1	
5	14190GT	WASHER,THRUST, KX-1050,1051.....1	
6	14191GT	RATCHET GEAR ASSY, K-1050,1051.....1	
7	5157GT	FRICITION DISC, KX-1000,050,051.....1	
8		PINION GEAR ASSY, KX-1050,1051 (14193).....1 <i>component no longer available</i>	
9	14194GT	PINION SHAFT, KX-1050,1051.....1	
10		RETAINING RING (6200).....1 <i>(not sold separately)</i>	
11	1256081GT	SERVICE KIT,PINION SHAFT-K1550.....2	
12	5156GT	RATCHET KIT,K-1000 SERIES,935.....2 <i>including: Bolt (1), Pawl (1), Spring (1), Nut (1)</i>	
13		Winch Housing (not a Service Part).....2	
14	1282486GT	WINCH REINFORCE.PLATE --(BLUE).....1	
15	6190GT	CABLE KEEP.KIT (BRACKET TYPE)*.....2 <i>including: Nut (2), Lockwasher (2), Keeper Clip (1), Nut (2)</i>	
16		SPACER, DRUM BOLT, K-1000,1050 (5320).....1 <i>component no longer available</i>	
17	9134GT	CABLE KEEP.KIT (THREADED STUD).....1	
18		Drum Assembly (not a Service Part).....1	
19		COVER, DRUM, KX-1000,050,051 (5376).....1 <i>component no longer available</i>	
20	5343GT	DECAL,MAINT. LUBRICATION, YLW.....1	
21	6326GT	SCREW,HHC,3/8-16 X 3.....1	
22	12012GT	NUT,LOCK,3/8-16.....1	

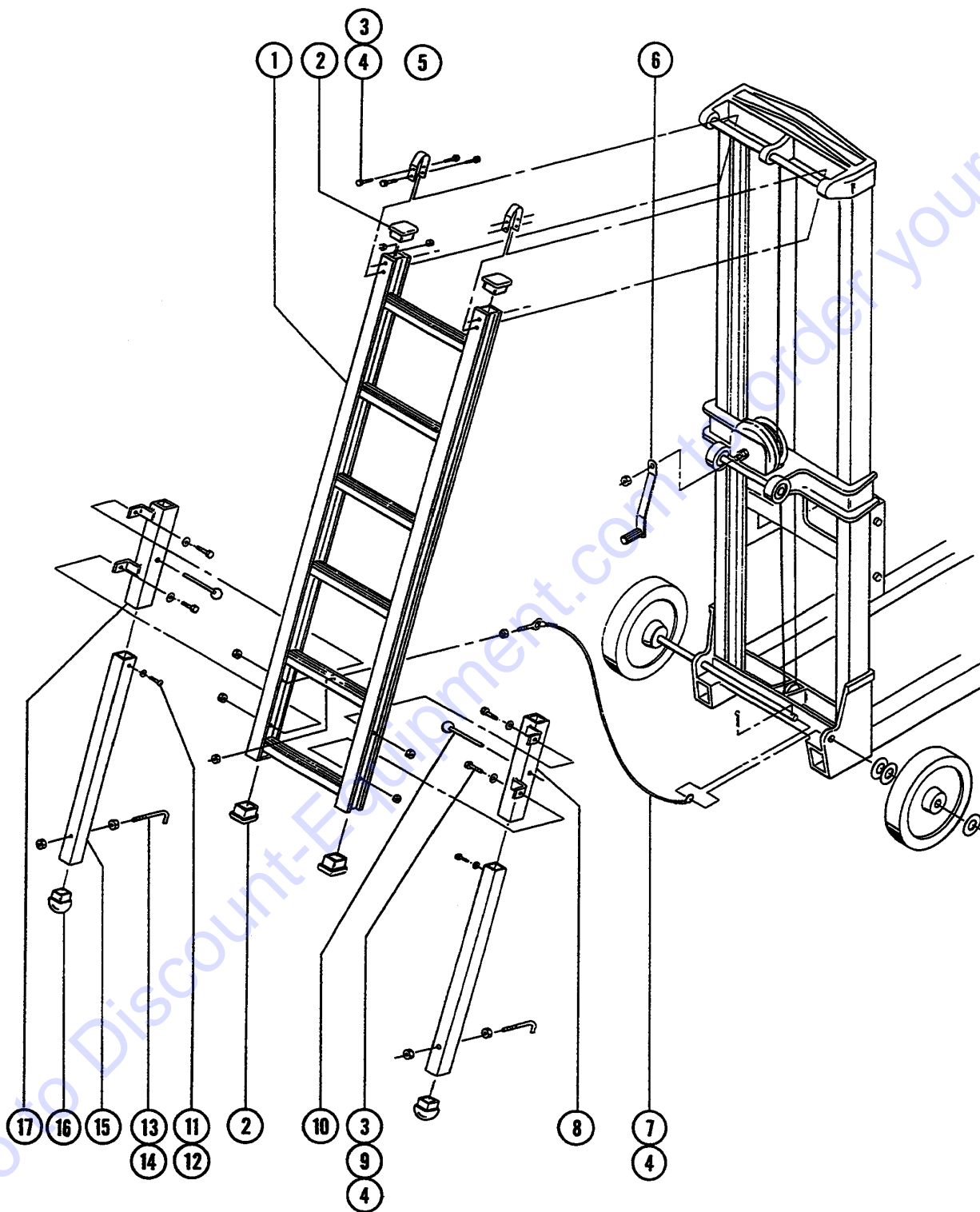
105.1 Accessories: Load Platform , boom, Outriggers



## 105.1 Accessories: Load Platform , boom, Outriggers

Item	Part No.	Description	Qty.
1	5403GT	LOAD PLATFORM ACCESSORY-GL/HL.....	1
2	5402GT	BOOM ASSY--GENIE LIFT..... <i>Includes Index No.'s 3 &amp; 4</i>	1
3	5144GT	DECAL,GENIE BOOM ATTACH.....	1
4	5143GT	HOOK, " S ".....	1
5		OUTRIG.STAMPING GL,REAR 20" (5367P)..... <i>(component no longer available)</i>	1
6		CASTER,PL,SW. 1.625 X .75..... <i>(component no longer available)</i>	1
7	5400GT	STABILIZER EXTENSION ACCES.PKG..... <i>Standard on Models 10 &amp; 12; Includes Index No's 8, 9, 10, 11, 12 &amp; 13</i>	4
8	5133GT	COUPLING,140138-16-16.....	1
9	5136GT	PIPE-OUTRIG.EXT,DRILLED---22".....	2
10	5098GT	CASTER PLATE STAMPING.....	2
11	124175GT	KIT,GL CASTER.....	4
11A	124173GT	CASTER,PL,SW 2X.875	
11B	124174GT	SPACER,GL CASTER	
11C	8914GT	SCREW,HHC,1/4-20 X .625	
11D	6889GT	NUT,LP NYLOCK,1/4-20	
13	6608GT	PIN,ROLL,.188 X .75.....	6

106.1 Accessories: Ladder Attachment

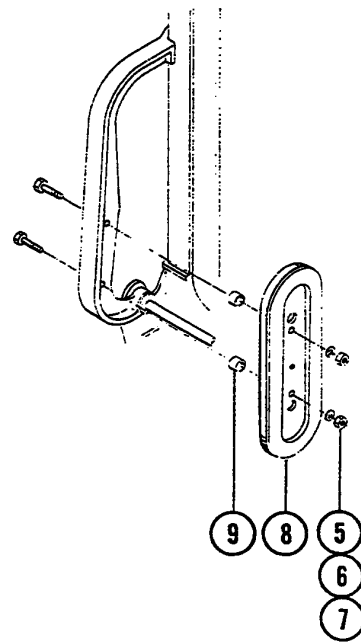
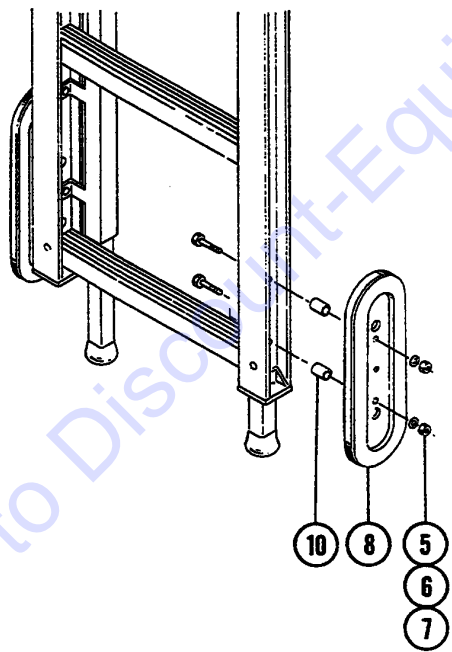
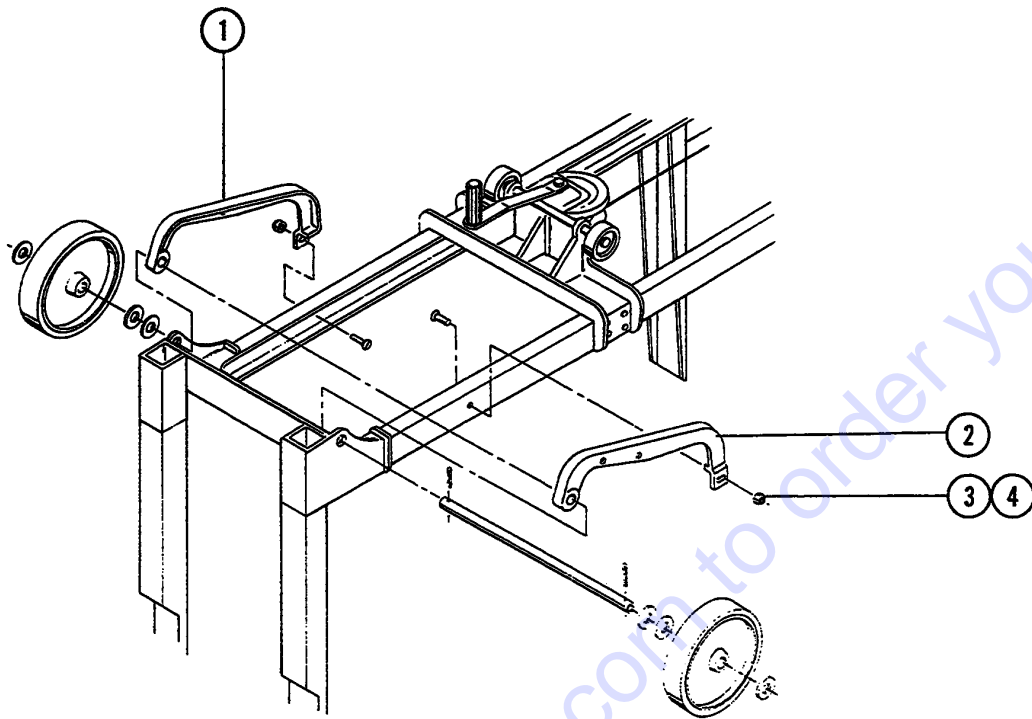




## 106.1 Accessories: Ladder Attachment

Item	Part No.	Description	Qty.
--	5240GT	LADDER ASSY,#4/#8-(ACCESSORY) <i>Includes Index No's 1 through 17 below; Models 4 &amp; 8</i>	
--	5283GT	LADDER ASSY, #10-(ACCESSORY) <i>Includes Index No's 1 through 17 below; Model 10</i>	
--	5284GT	LADDER ASSY, #12-(ACCESSORY) <i>Includes Index No's 1 through 17 below; Model 12</i>	
1		Ladder (Not available separately)	
2	9138GT	LADDER END CAP%%.....	4
3	6090GT	SCREW,HHC,1/4-20 X .75.....	12
4	6091GT	NUT,NYLOCK,1/4-20.....	14
5	5372PGT	LADDER MOUNT BRKT. --(GRAY).....	2
6	16344GT	WINCH HANDLE-O.A.LENGTH-6.25".....	1
7	5039GT	LADDER CABLE ASSEMBLY GL 4-8..... <i>Models 4 &amp; 8</i>	1
7	5374GT	LADDER CABLE ASSEMBLY GL 10..... <i>Model 10</i>	1
7	5375GT	LADDER CABLE ASSEMBLY GL 12..... <i>Model 12</i>	1
8	5247GT	LADDER LEG SOCKET WELDMENT-RH.....	1
9	6638GT	WASHER,FLAT,USS,1/4"Y.....	4
10	11064GT	PIN,BALL RET.-.25 X 2.5.....	2
11	5094GT	SCREW,RHM,10-32 X .5.....	2
12	6607GT	WASHER,LOCK,#10 PLTD.....	2
13	5244GT	HOOK BOLT, 1/4-20.....	2
14	6357GT	NUT,HEX,1/4-20.....	4
15	5289GT	TUBE-LADDER LEG-23.5".....	2
16	5288GT	LADDER LEG INSERT-ROCKER STYLE.....	2
17	5248GT	LADDER LEG SOCKET WELDMENT-LH.....	1

107.1 Accessories: Stair Glides and Stair Rollers



## 107.1 Accessories: Stair Glides and Stair Rollers

Item	Part No.	Description	Qty.
--		STAIR GLIDE PKG GL-(ACCESSORY) <i>(the stair glide accessory, 5401, is no longer available)</i>	
--	5186GT	STAIR ROLLER PKG.-(ACCESSORY)...2 <i>Includes Index No's 5, 6, 7, 8, 9 &amp; 10</i>	
1		STAIR GLIDE-LEFT, GL/HL.....1 <i>(the stair glide, left, 5226 is no longer available)</i>	
2		STAIR GLIDE-RIGHT, GL/HL.....1 <i>(the stair glide, right, 5226 is no longer available)</i>	
3	8514GT	SCREW,FHS,1/4-20 X .75.....2	
4	6091GT	NUT,NYLOCK,1/4-20.....2	
5	15180GT	STAIR ROLLER-DRILLED.....2	
6	6708GT	SCREW,HHC,3/8-16 X 2.25.....4	
7	6021GT	WASHER,LOCK,,375.....4	
8	4828GT	NUT,NYLOCK,3/8-16.....4	
9	5101GT	TUBE-GLIDE ROLLER SPACER-.938"...4	
10	5138GT	TUBE-LADDER ROLLER SPACER-1.31.....4	

Go to Discount-Equipment.com to order your parts

## Part Number Index

The Part Number Index is a numeric index of all part numbers included in this manual. The index shows what page(s) the part is used on.

Part Number	Page	Part Number	Page
11064GT	21	5375GT	21
11544GT	13	5393GT	13, 15
12012GT	17	5400GT	19
124173GT	19	5402GT	19
124174GT	19	5403GT	19
124175GT	13, 19	5408GT	13, 15
1250GT	13	57784GT	13
1256081GT	17	6019GT	13
1282486GT	17	6021GT	13, 23
13918GT	13	6034GT	17
14181GT	13	6035GT	13
14182GT	13	6086GT	13
14189GT	17	6090GT	21
14190GT	17	6091GT	13, 21, 23
14191GT	17	6094GT	13
14194GT	17	6097GT	13
15180GT	23	6142GT	15
16342GT	17	6190GT	17
16344GT	17, 21	6204GT	17
20056PGT	13	6271GT	13
20098GT	13	6277GT	13
21280GT	13, 15	6326GT	17
21671GT	13	6357GT	21
235184GT	13	6607GT	21
33852GT	13	6608GT	19
4828GT	13, 23	6638GT	21
5003GT	13	6708GT	23
5004GT	13	6876GT	15
5006GT	13	6889GT	13, 19
5033GT	17	7268GT	13, 15
5039GT	21	8514GT	13, 23
5057GT	13, 15	8914GT	19
5094GT	21	90337GT	13, 15
5098GT	19	9134GT	17
5101GT	23	9138GT	21
5103GT	13		
5104GT	13		
5106GT	15		
5107GT	15		
5108GT	15		
5109GT	17		
5115GT	15		
5116GT	13, 15		
5117GT	13, 15		
5122GT	15		
5124ZGT	15		
5133GT	19		
5135GT	15		
5136GT	19		
5138GT	23		
5143GT	19		
5144GT	19		
5156GT	17		
5157GT	17		
5163GT	13		
5186GT	23		
5189GT	13		
5212ZGT	13		
5240GT	21		
5244GT	21		
5247GT	21		
5248GT	21		
5250GT	13		
5251GT	13		
5270GT	13, 15		
5271GT	13, 15		
5272GT	13, 15		
5283GT	21		
5284GT	21		
5288GT	21		
5289GT	21		
5343GT	17		
5365GT	13, 15		
5372PGT	21		
5374GT	21		

The Part Description Index is an alphabetical index of all part descriptions included in this manual. The index shows what page(s) the part is used on.

<p><b>A</b></p> <p>AXLE-.625 X 24",ZINC (GL/HL).....13</p> <p><b>B</b></p> <p>BASE CASTING,GL/HL--DRILLED.....13 BOE LUBE.....13, 15 Bolt - FHMS, 1/4 - 20 x 1", Pltd.....13 BOLT-ROLLER,3/8-24 X 1.69-ZINC.....13, 15 BOOM ASSY--GENIE LIFT.....19 BUSHING, LARGE PINION, FULTON.....17</p> <p><b>C</b></p> <p>CABLE ASSEMBLY GL #8.....13, 15 CABLE ASSEMBLY-GL#10.....13, 15 CABLE ASSEMBLY-GL#12.....13, 15 CABLE ASSEMBLY-GL#4.....13, 15 CABLE KEEP:KIT (BRACKET TYPE)*.....17 CABLE KEEP:KIT (THREADED STUD).....17 CARRIAGE CASTING,STD-DRILLED.....15 CASTER PLATE STAMPING.....19 CASTER,PL,SW 2X.875.....19 CASTER,PL,SW. 1.625 X .75.....19 CASTING,WIDE CARRIAGE,GL #4.....15 CHANNEL,LH-GL8 INNER FRM-58.56.....15 CHANNEL,RH-GL12 INN.FR-82.56".....15 CHANNEL-59.06"GL4/8, OUTERFRAME.....13 CHANNEL-71.06"GL#10, OUTERFRAME.....13 CHANNEL-83.06"GL#12, OUTERFRAME (5005).....13 CLIP,HAIR PIN .094 X 2.5.....15 COUPLING,140138-16-16.....19 COVER, DRUM, KX-1000,050,051 (5376).....17</p> <p><b>D</b></p> <p>DECAL,350# GENERAL INSTRUCTION.....13 DECAL,400.LB GL,GENERAL INSTR.....13 DECAL,CAUTION".....13 DECAL,GENIE BOOM ATTACH.....19 DECAL,GENIE LIFT.....13 DECAL,MAINT. LUBRICATION, YLW.....17 Drum Assembly (not a Service Part).....17</p> <p><b>F</b></p> <p>FORK SUPPT.TUBE,GL,18.63"-ZINC.....15 FORK WELDMENT GL(SINGLE).....15 FRICTION DISC, KX-1000,050,051.....17</p> <p><b>G</b></p> <p>GRIP,HANDLE.....13</p> <p><b>H</b></p> <p>HANDLE CASTING-GENIE LIFT%.....13 HANDLE GRIP CASTING,STOCK.....13 HOOK BOLT, 1/4-20.....21 HOOK, " S ".....19</p> <p><b>I</b></p> <p>Inner Frame and Carriage Assembly Refer to Figure 3.....11 INNER FRAME CSTG-DRILL(UP&amp;LWR).....15</p>	<p><b>K</b></p> <p>KIT,GL CASTER.....13, 19</p> <p><b>L</b></p> <p>Ladder (Not available separately).....21 LADDER ASSY, #10-(ACCESSORY).....21 LADDER ASSY, #12-(ACCESSORY).....21 LADDER ASSY,#4/#8-(ACCESSORY).....21 LADDER CABLE ASSEMBLY GL 10.....21 LADDER CABLE ASSEMBLY GL 12.....21 LADDER CABLE ASSEMBLY GL 4-8.....21 LADDER END CAP%.....21 LADDER LEG INSERT-ROCKER STYLE.....21 LADDER LEG SOCKET WELDMENT-LH.....21 LADDER LEG SOCKET WELDMENT-RH.....21 LADDER MOUNT BRKT. --(GRAY).....21 LEG ASSEMBLY-GL.....13 LEG STAMPING,GL, PAINTED.....13 LOAD PLATFORM ACCESSORY-GL/HL.....19</p> <p><b>N</b></p> <p>Nut - Low Profile Nylock, 3/8 - 24.....15 NUT,HEX,1/4-20.....21 NUT,HEX,JAM,1/2-13.....17 NUT,LOCK,3/8-16.....17 NUT,LP NYLOCK,1/2-13.....13 NUT,LP NYLOCK,1/4-20.....13, 19 NUT,LP NYLOCK,3/8-24.....13, 15 NUT,NYLOCK,1/4-20.....13, 21, 23 NUT,NYLOCK,10-24.....13, 15 NUT,NYLOCK,3/8-16.....13, 23</p> <p><b>O</b></p> <p>OBS.SEE 28687 (PULLEY).....13, 15 Outer Frame and Base Assembly Refer to Figure 2.....11 Outer Frame Channel - R H.....13 OUTRIG.STAMPING GL,REAR 20" (5367P).....19</p> <p><b>P</b></p> <p>PIN,BALL RET.-.25 X 2.5.....21 PIN,COTTER,.125 X 1.....13 PIN,LOCK,SHORT W/PULL RING.....13 PIN,ROLL,.125 X 1.25.....15 PIN,ROLL,.188 X .75.....19 PINION GEAR ASSY, KX-1050,1051 (14193).....17 PINION PLATE (KX/KH-1051,1050).....17 PINION SHAFT, KX-1050,1051.....17 PIPE-OUTRIG.EXT,DRILLED---22".....19 Pulley with Bearing.....15</p> <p><b>R</b></p> <p>RATCHET GEAR ASSY, K-1050,1051.....17 RATCHET KIT,K-1000 SERIES,935.....17 RETAINING RING (6200).....17 RIVET,ALUM,STL,P,.25 X .375%.....15 RIVET,STL,STL.MAN,P,25 X .25.....13 Roller.....15 Roller Bolt.....15 ROLLER,NYLATRON, 1.437" O.D.....13, 15</p>	<p><b>S</b></p> <p>SCREW,FHS,1/4-20 X .75.....13, 23 SCREW,FHS,1/4-20 X .88.....13 SCREW,FHS,1/4-20 X 1.....13 SCREW,HHC,1/2-13 X 12 GRD.2.....13 SCREW,HHC,1/4-20 X .625.....19 SCREW,HHC,1/4-20 X .75.....21 SCREW,HHC,3/8-16 X 1.25 GRD 5.....13 SCREW,HHC,3/8-16 X 1.75,GRD.8.....13 SCREW,HHC,3/8-16 X 2.25.....23 SCREW,HHC,3/8-16 X 3.....17 SCREW,RHM,10-32 X .5.....21 SCREW,SHS,10-24 X 1.....15 SCREW,SHS,10-24 X 1.25.....13, 15 Serial Number Plate (Consult Factory for Ordering).....13 SERVICE KIT,PINION SHAFT-K1550.....17 SLIDER BLOCK.....13 SPACER, DRUM BOLT, K-1000,1050 (5320).....17 SPACER,GL CASTER.....19 STABILIZER EXTENSION ACCES.PKG.....19 STAIR GLIDE PKG GL-(ACCESSORY).....23 STAIR GLIDE-LEFT, GL/HL.....23 STAIR GLIDE-RIGHT, GL/HL.....23 STAIR ROLLER PKG.-(ACCESSORY).....23 STAIR ROLLER-DRILLED.....23</p> <p><b>T</b></p> <p>TUBE-GLIDE ROLLER SPACER-.938".....23 TUBE-LADDER LEG-23.5".....21 TUBE-LADDER ROLLER SPACER-1.31.....23</p> <p><b>W</b></p> <p>WASHER,FLAT,USS,1/4"Y.....21 WASHER,FLAT,USS,3/8",Y.....13 WASHER,FLAT,USS,5/8",Y.....13 WASHER,LOCK,#10 PLTD.....21 WASHER,LOCK,.375.....13, 23 WASHER,SHIM,.375 X .625X.033 ST.....13, 15 WASHER,THRUST, KX-1050,1051.....17 Washer-Shim, .375" x .625" x .033".....15 WHEEL, 8 X.625 X 1.625.....13 WHEEL,POLYOLEFIN,4X1.25,1/2.....13 Winch Assembly Refer to Figure 4.....11, 13 WINCH ASSEMBLY-GL/HL KX1051.....17 WINCH ASSY-KX1051,W/SHORT HNDL.....17 WINCH CASTING,GL/HL,DRILLED.....13 WINCH HANDLE-O.A.LENGTH-11".....17 WINCH HANDLE-O.A.LENGTH-6.25".....17, 21 Winch Housing (not a Service Part).....17 WINCH REINFORCE.PLATE --(BLUE).....17</p>
--	---	--

# PARTS FINDER

**Search Website  
by Part Number**



**Search Manual  
Library For Parts  
Manual & Lookup Part  
Numbers – Purchase  
or Request Quote**

**Search Manuals**

Enter your information to help us find the right parts manual for your machine.

\* Brand:

\* Model:

\* Serial:

\* Part Number:

SEARCH

**Can't Find Part or  
Manual? Request Help  
by Manufacturer,  
Model & Description**

**Parts Order Form**

Please fill in the following information to help us find the right part for your machine.

Manufacturer:	<input type="text"/>
Model:	<input type="text"/>
Description:	<input type="text"/>
Part Number:	<input type="text"/>
Quantity:	<input type="text"/>
Notes:	<input type="text"/>

Submit

Discount-Equipment.com is your online resource for quality parts & equipment.

Florida: **561-964-4949** Outside Florida TOLL FREE: **877-690-3101**

**Need parts?**

Click on this link: <http://www.discount-equipment.com/category/5443-parts/> and choose one of the options to help get the right parts and equipment you are looking for. Please have the machine model and serial number available in order to help us get you the correct parts. If you don't find the part on the website or on one of the online manuals, please fill out the request form and one of our experienced staff members will get back to you with a quote for the right part that your machine needs.

We sell worldwide for the brands: Genie, Terex, JLG, MultiQuip, Mikasa, Essick, Whiteman, Mayco, Toro Stone, Diamond Products, Generac Magnum, Airman, Haulotte, Barreto, Power Blanket, Nifty Lift, Atlas Copco, Chicago Pneumatic, Allmand, Miller Curber, Skyjack, Lull, Skytrak, Tsurumi, Husquvarna Target, Stow, Wacker, Sakai, Mi-T-M, Sullair, Basic, Dynapac, MBW, Weber, Bartell, Bennar Newman, Haulotte, Ditch Runner, Menegotti, Morrison, Contec, Buddy, Crown, Edco, Wyco, Bomag, Laymor, EZ Trench, Bil-Jax, F.S. Curtis, Gehl Pavers, Heli, Honda, ICS/PowerGrit, IHI, Partner, Imer, Clipper, MMD, Koshin, Rice, CH&E, General Equipment, Amida, Coleman, NAC, Gradall, Square Shooter, Kent, Stanley, Tamco, Toku, Hatz, Kohler, Robin, Wisconsin, Northrock, Oztec, Toker TK, Rol-Air, APT, Wylie, Ingersoll Rand / Doosan, Innovatech, Con X, Ammann, Mecalac, Makinex, Smith Surface Prep, Small Line, Wanco, Yanmar