



A TEREX BRAND



Parts Manual

Serial Number Range

Genie Lift

from SN 1395-103 to 1301-23434

from SN GL02-23435 to GL16-80150

from SN GL16G-80151 to GL16G-83799

from SN GLG-83800 to GLG-89235

from SN GLP-89236

Part No. 115418
Rev: C12
October 2019

PARTS FINDER

**Search Website
by Part Number**



**Search Manual
Library For Parts
Manual & Lookup Part
Numbers – Purchase
or Request Quote**

Search Manuals

Enter your information to help us find the right parts manual for your machine.

* Brand:

* Model:

* Serial:

* Part Number:

SEARCH

**Can't Find Part or
Manual? Request Help
by Manufacturer,
Model & Description**

Parts Order Form

Please fill in the following information to help us find the right part for your machine.

Manufacturer:	<input type="text"/>
Model:	<input type="text"/>
Description:	<input type="text"/>
Part Number:	<input type="text"/>
Quantity:	<input type="text"/>
Notes:	<input type="text"/>

Discount-Equipment.com is your online resource for quality parts & equipment.

Florida: **561-964-4949** Outside Florida TOLL FREE: **877-690-3101**

Need parts?

Click on this link: <http://www.discount-equipment.com/category/5443-parts/> and choose one of the options to help get the right parts and equipment you are looking for. Please have the machine model and serial number available in order to help us get you the correct parts. If you don't find the part on the website or on one of the online manuals, please fill out the request form and one of our experienced staff members will get back to you with a quote for the right part that your machine needs.

We sell worldwide for the brands: Genie, Terex, JLG, MultiQuip, Mikasa, Essick, Whiteman, Mayco, Toro Stone, Diamond Products, Generac Magnum, Airman, Haulotte, Barreto, Power Blanket, Nifty Lift, Atlas Copco, Chicago Pneumatic, Allmand, Miller Curber, Skyjack, Lull, Skytrak, Tsurumi, Husquvarna Target, Stow, Wacker, Sakai, Mi-T-M, Sullair, Basic, Dynapac, MBW, Weber, Bartell, Bennar Newman, Haulotte, Ditch Runner, Menegotti, Morrison, Contec, Buddy, Crown, Edco, Wyco, Bomag, Laymor, EZ Trench, Bil-Jax, F.S. Curtis, Gehl Pavers, Heli, Honda, ICS/PowerGrit, IHI, Partner, Imer, Clipper, MMD, Koshin, Rice, CH&E, General Equipment, Amida, Coleman, NAC, Gradall, Square Shooter, Kent, Stanley, Tamco, Toku, Hatz, Kohler, Robin, Wisconsin, Northrock, Oztec, Toker TK, Rol-Air, APT, Wylie, Ingersoll Rand / Doosan, Innovatech, Con X, Ammann, Mecalac, Makinex, Smith Surface Prep, Small Line, Wanco, Yanmar

To August 31, 2016

Genie
A TEREX BRAND

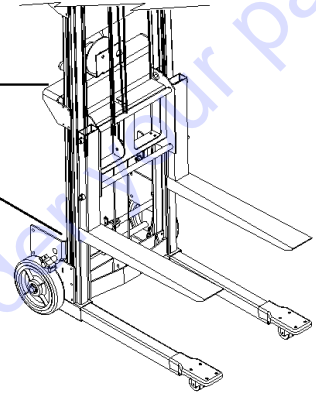
Model: Serial number: GL16G-12345
Manufacture date: 1/2/16 Model year: 2016
Electrical schematic number:
Country of manufacture:

GL 16 G - 12345

1 2 3 4

5

6



- 1 Model
- 2 Model year
- 3 Facility code

- 4 Sequence number
- 5 Serial label
- 6 Serial number (stamped on base)

From September 1, 2016

Genie
A TEREX BRAND

Model: Serial number: GLG-12345
Year of Manufacture : 2016
Electrical schematic number:
Country of manufacture:

GL G - 12345

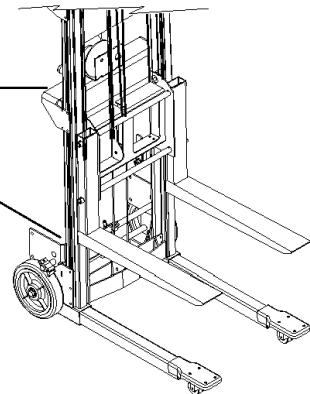
1

2

3

4

5



- 1 Model
- 2 Facility code
- 3 Sequence number

- 4 Serial label
- 5 Serial number (stamped on base)

Required Parts

The following parts are required to perform maintenance procedures as outlined in the Genie Lift Parts and Service Manual.

Description	Part No.
Grease - Lithium (white) 14 oz.	91670
Boe Lube (wax)	90337
Coupler - Cable Replacement	12402
Brake Disk, UHMW.....	35630
Owner's Manual - Electric Winch.....	85220

Recommended Parts

Description	Part No.
Genie Gray Paint, 12 Ounce Aerosol.....	1268
Genie Blue Paint, 12 Ounce Aerosol.....	1484
Genie Blue Paint, 1 Gallon.....	32150
Genie Gray Paint, 1 Gallon.....	32151

Manuals

Genie Industries offers the following support documents for these models:

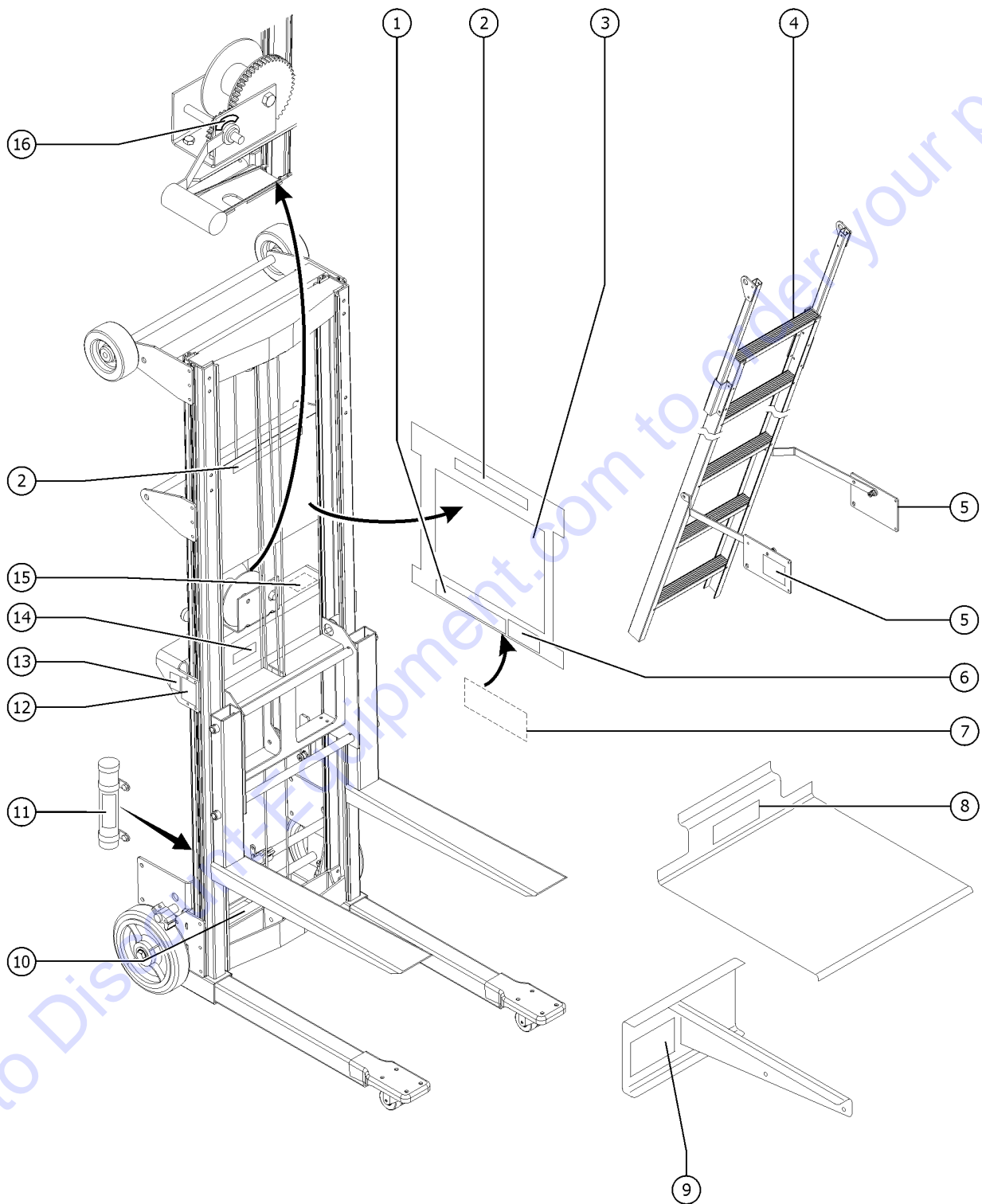
Title	Part No.
EMI Safety Manual.....	27581
Manual of Responsibilities ANSI A92.5	31587

Go to Discount-Equipment.com to order your parts



Description	Page
100 Decals and Paint	8
101.1 Decals - Models with Manual Winch	8
102.1 Decals - Models with Electric Winch	10
200 Base Components	12
201.1 Standard Base Components	12
201.2 Standard Base Components	14
201.3 Standard Base Components	16
201.4 Standard Base Components	18
202.1 Straddle Base Components	20
202.2 Straddle Base Components	22
202.3 Straddle Base Components	24
202.4 Straddle Base Components	26
203.1 Counterweight Base Components	28
300 Frame and Winch Components	30
301.1 Outer Frame and Attached Parts - View 1	30
302.1 Outer Frame and Attached Parts - View 2	34
303.1 Inner Frame and Carriage	36
303.2 Inner Frame and Carriage	40
304.1 Battery Pack Installation - Models with Electric Winch	44
304.2 Battery Pack Installation - Models with Electric Winch	48
305.1 Battery Charger, Worldwide - Lester	52
305.2 Battery Charger, Worldwide - Lester	54
306.1 Battery Charger, Domestic	56
306.2 Battery Charger, Domestic and Worldwide	58
306.3 Battery Charger, Domestic and Worldwide	60
307.1 Manual Winch Assembly, Standard	62
307.2 Manual Winch Assembly, Standard	64
307.3 Manual Winch Assembly, Standard	68
307.4 Manual Winch Assembly, Standard	70
308.1 Manual Winch Assembly, Heavy Duty	72
309.1 Electric Winch Assembly	74
310.1 Control Panel Assembly - Models with Electric Winch	76
310.2 Control Panel Assembly - Models with Electric Winch	80
400 Accessories	84
401.1 Ladder and Load Handling Attachments	84
402.1 Stair Roller and Rear Wheel Brake	86
Part Number Index	90

101.1 Decals - Models with Manual Winch



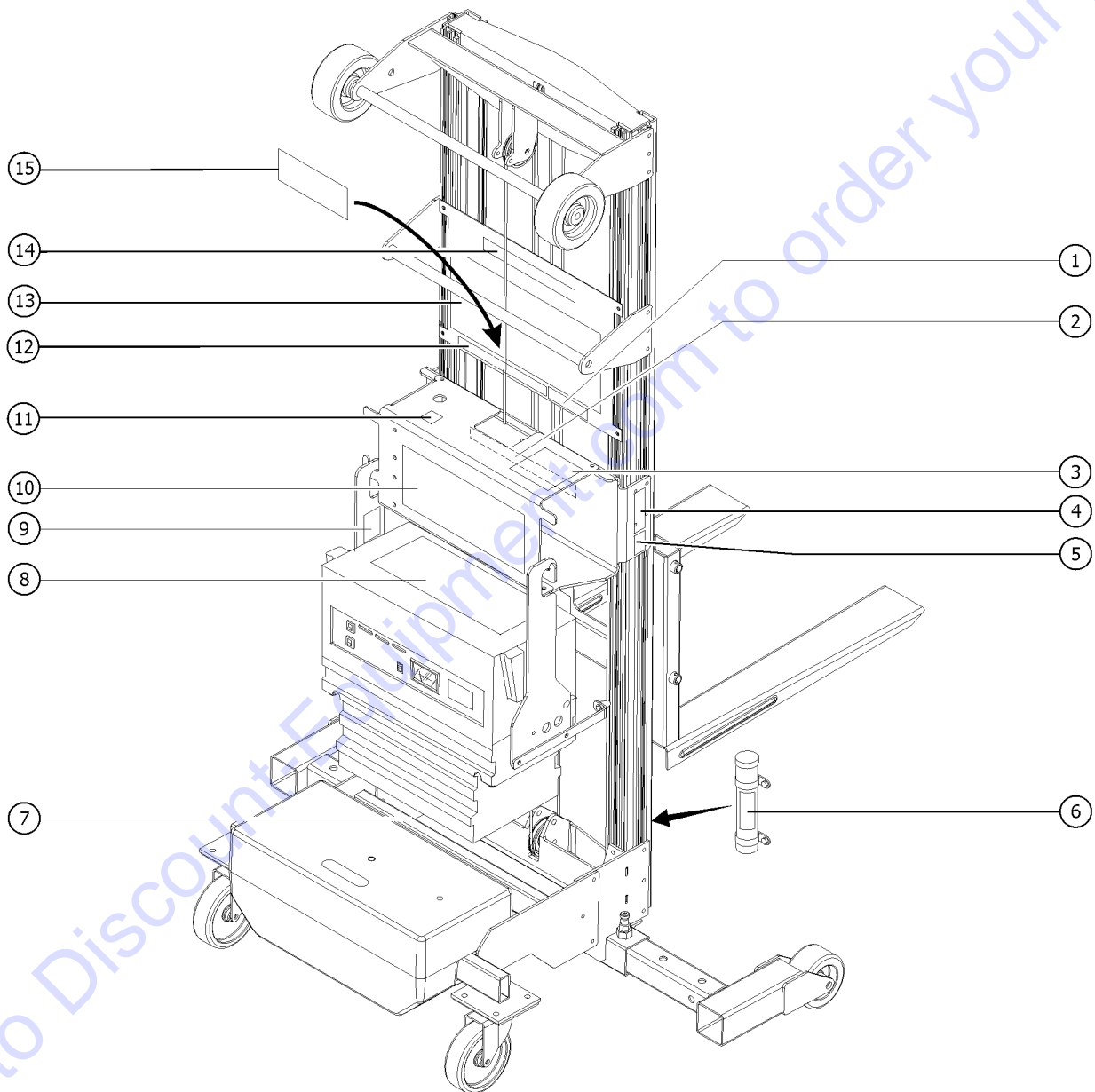
101.1 Decals - Models with Manual Winch

Item	Part No.	Description	Qty.
1	1280819GT	DECAL,WARNING,CANCER AND REPRODUCTIVE HARM, PROP 65	
2	52982GT	DECAL,COSMETIC,GENIE LIFT	2
3	35574GT	DECAL,WARNING,SAFETY/SET-UP	1
4	37120GT	DECAL, WARNING, NO STEP	1
5	37111GT	DECAL,WARNING,LADDER SAFE/SET	2
6	35567GT	DECAL, WARNING, INJURY HAZARD	1
7	97547GT	DECAL,DANGER,ELEC.HAZ. mounted on back	1
8	37084GT	DECAL,LOAD PLATFORM SETUP	1
9	35575GT	DECAL,BOOM SET-UP	1
10	37049GT	DECAL,WARNING,TIP-OVER	1
11	31072GT	DECAL,LABEL,OPER.MAN.STORAGE	1
12	80939GT	SERIAL # LABEL,MAT LIFT & SS**	1
13	1272242GT	DECAL,MACHINE REGISTRATION/OWN	1
14	33468GT	DECAL,WARNING,NO RIDERS	1
15A	35579GT	DECAL,NOTICE,MAX CAPACITY 500	1
		GL-4 (227 kg)	
15B	35578GT	DECAL,NOTICE,MAX CAPACITY 400	1
		GL-8 (181 kg)	
15C	35577GT	DECAL,NOTICE,MAX CAPACITY 350	1
		GL-10, GL-12 (159 kg)	
16	44754GT	DECAL, LABEL, RAISE/LOWER	1

Go to Discount-Equipment.com to order your parts



102.1 Decals - Models with Electric Winch



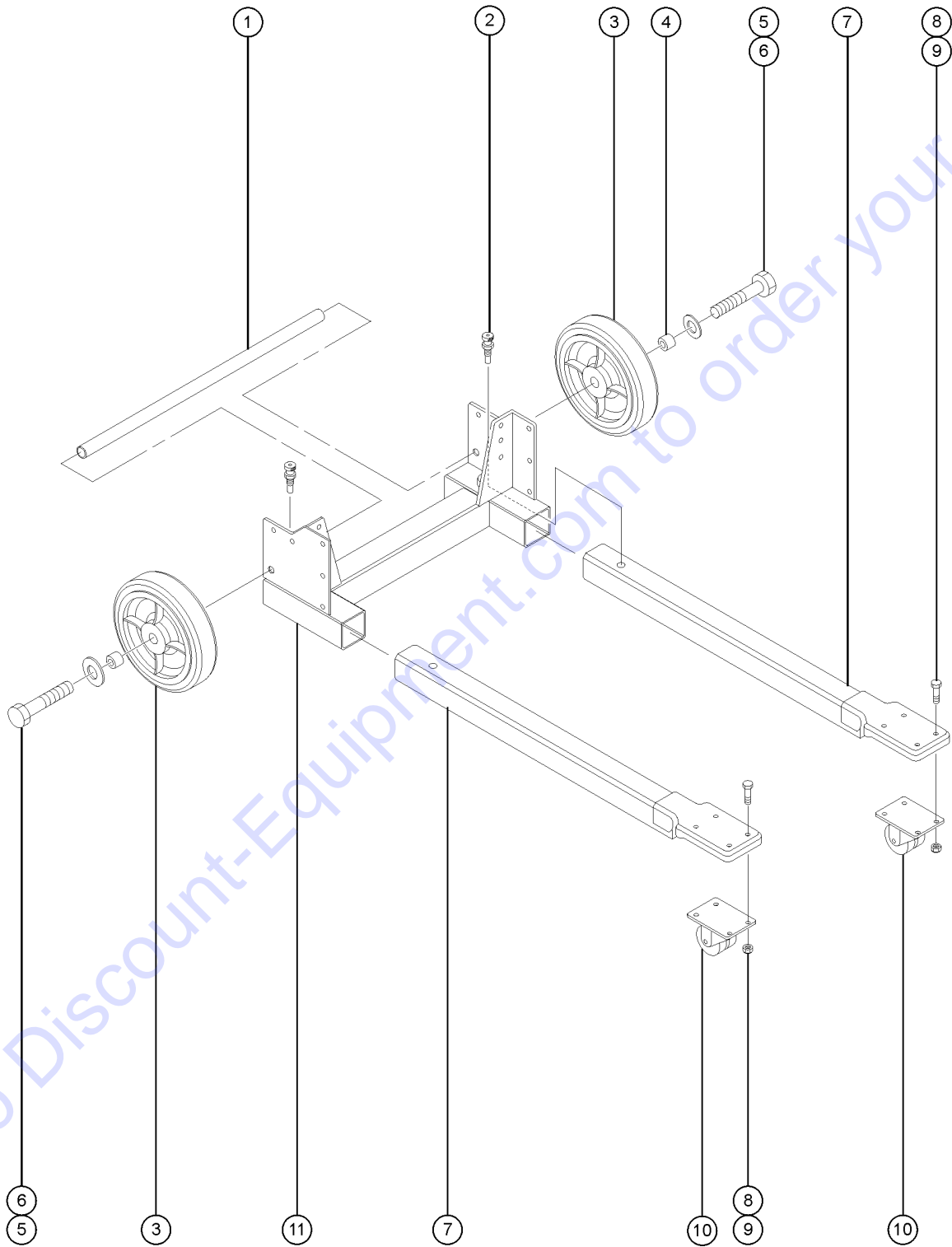
102.1 Decals - Models with Electric Winch

Item	Part No.	Description	Qty.
1	35567GT	DECAL, WARNING, INJURY HAZARD	1
2	33468GT	DECAL,WARNING,NO RIDERS	1
3	43021GT	DECAL, WARNING, ELEC WINCH OPR	1
4	80939GT	SERIAL # LABEL,MAT LIFT & SS**	1
5	1272242GT	DECAL,MACHINE REGISTRATION/OWN	1
6	31072GT	DECAL,LABEL,OPER.MAN.STORAGE	1
7	37049GT	DECAL,WARNING,TIP-OVER	1
8	31068GT	DECAL,DANGER,BATTERY SAFETY	1
		(Worldwide Charger models)	
9	28372GT	DECAL,NOTICE,BATTERY CABLES	1
10	43022GT	DECAL,DANGER,BATTERY SAFETY	1
11A	35579GT	DECAL,NOTICE,MAX CAPACITY 500	1
		GL-4 (227 kg)	
11B	35578GT	DECAL,NOTICE,MAX CAPACITY 400	1
		GL-8 (181 kg)	
11C	35577GT	DECAL,NOTICE,MAX CAPACITY 350	1
		GL-10, GL-12 (159 kg)	
12	1280819GT	DECAL,WARNING,CANCER AND REPRODUCTIVE HARM, PROP 65	1
13	35574GT	DECAL,WARNING,SAFETY/SET-UP	1
14	52982GT	DECAL,COSMETIC,GENIE LIFT	2
15	97547GT	DECAL,DANGER,ELEC.HAZ.	1

Go to Discount-Equipment.com to order your parts



201.1 Standard Base Components



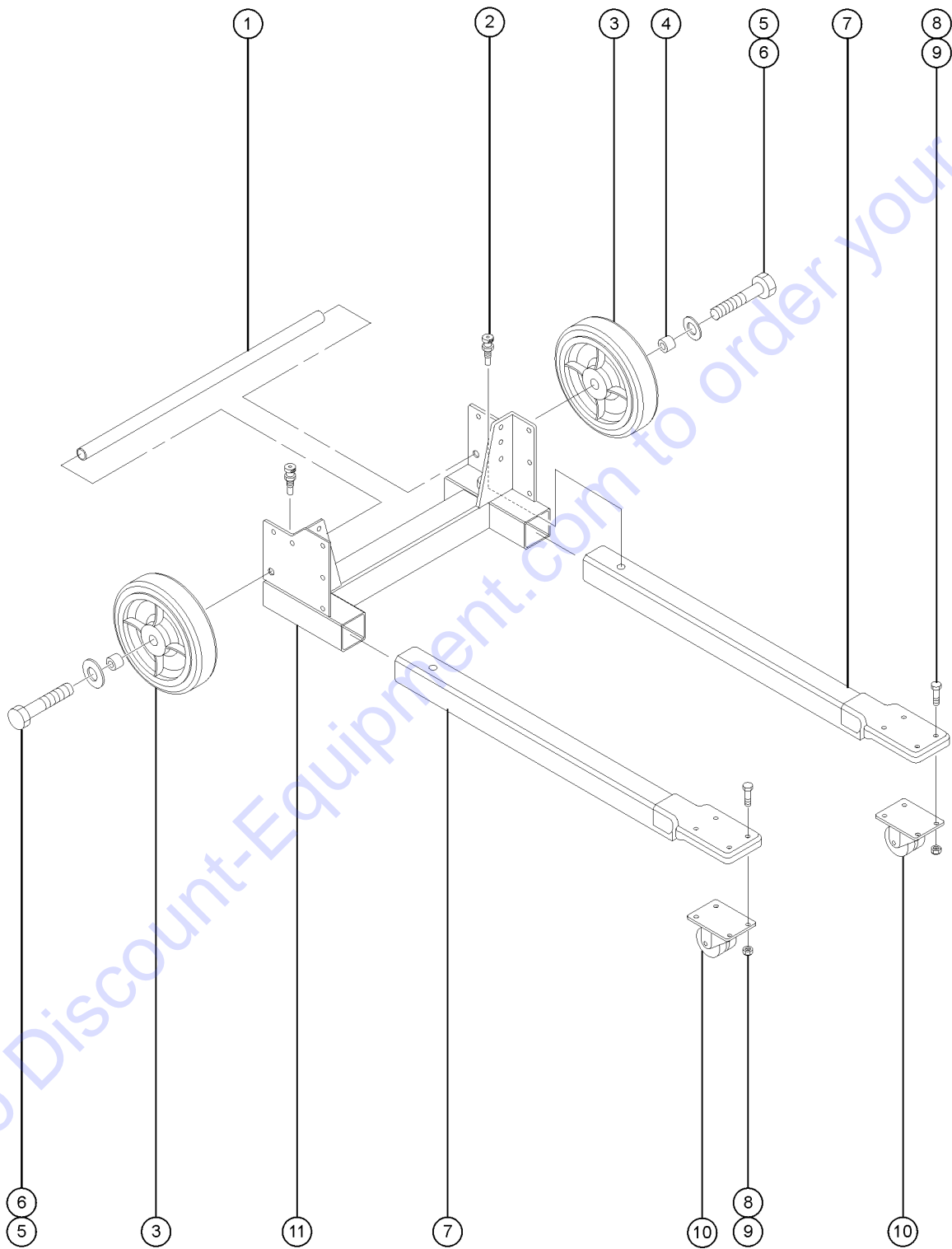
201.1 Standard Base Components

Item	Part No.	Description	Qty.
1	35235GT	TUBE, AXLE, GL 18.685"	1
2	32375GT	PIN, LOCK, LONG***	2
3	32453GT	WHEEL, PERFORMA, 8 X 2 (to SN 1300-16497) (standard wheel option) with sleeve	2
3A	57787-SGT	KIT, WHEEL, TPE, 8 X 2, 3/4, 1/2 (from SN 1300-16498) (standard wheel option) (shown) (same fit and function, but different color from the 32453)	2
3B	80677GT	WHEEL, PNEUMATIC, 10", 5/8" HUB (pneumatic wheel option)	2
4	37202GT	BUSHING, 3/4 O.D X 2.44 L.G X .5 I.D	2
5	6732GT	SCREW, HHC, 1/2-13 X 3.25	2
5A	35298GT	SCREW, SHS, 1/2-13 4.00 SHOULDER	2
6	6095GT	WASHER, FLAT, USS, 1/2", Y	
7	35315GT	WELDMENT, STANDARD LEG , GL	2
8	10107GT	SCREW, HHC, 5/16-18 X .75	
9	6002GT	NUT, LP NYLOCK, 5/16-18	8
10	6415GT	CASTER, PL SW DUAL 2.0 X 1.88	2
10A	80677GT	WHEEL, PNEUMATIC, 10", 5/8" HUB (to SN 1300-16497) (pneumatic wheel option)	2
10A-	40164GT	GL PNEUM. WHEEL & CASTER ASSY complete kit with two pneumatic wheels and two casters with all mounting hardware	
11	37082GT	BASE WELDMENT W/ DECAL, STD. GL	1

Go to Discount-Equipment.com to order your parts



201.2 Standard Base Components



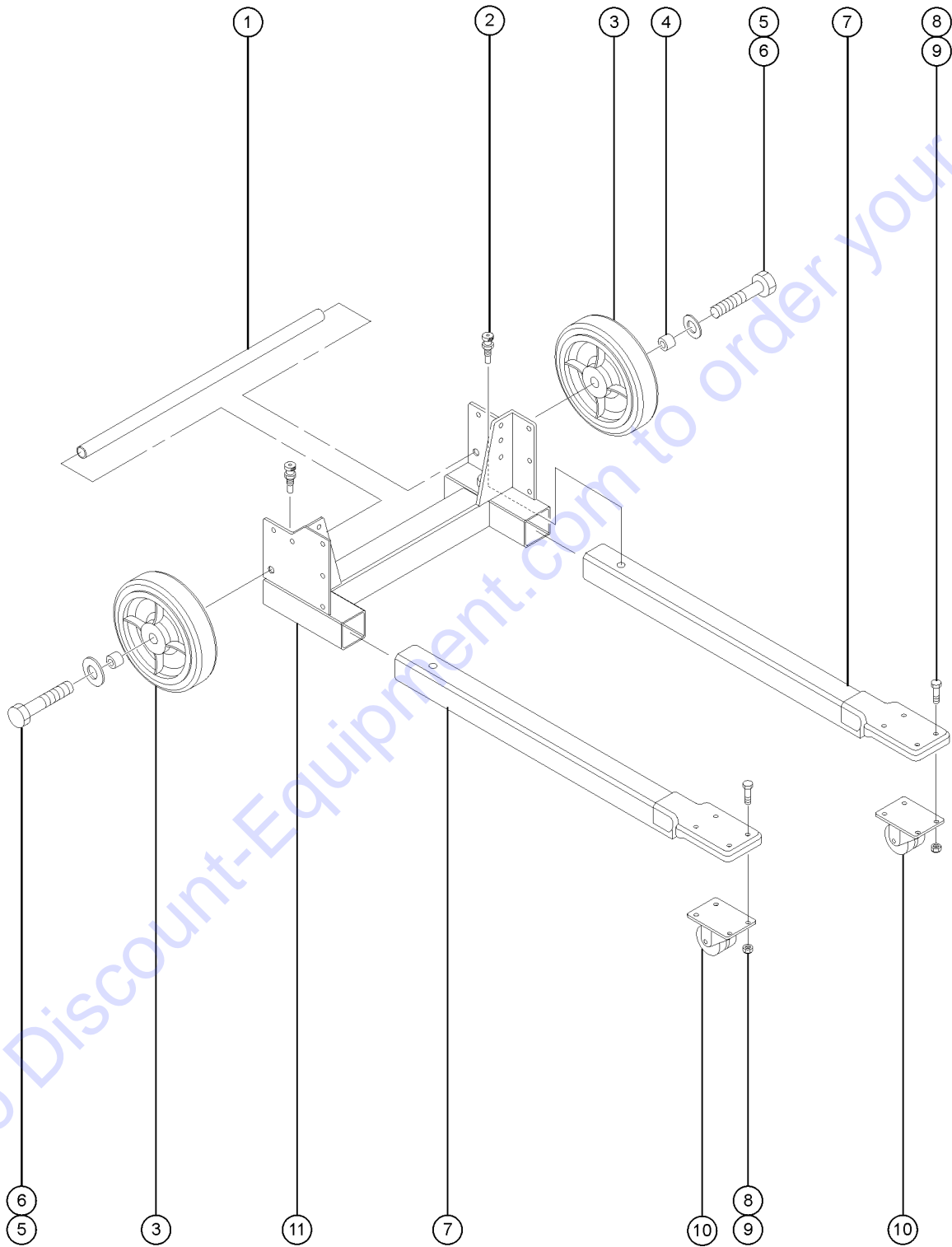
201.2 Standard Base Components

Item	Part No.	Description	Qty.
1	35235GT	TUBE, AXLE, GL 18.685"	1
2	32375GT	PIN, LOCK, LONG***	2
3	32453GT	WHEEL, PERFORMA, 8 X 2 (to SN 1300-16497) (standard wheel option)	2
3A	57787-SGT	KIT, WHEEL, TPE, 8 X 2, 3/4, 1/2 (from SN 1300-16498) (standard wheel option) (shown) (same fit and function, but different color from the 32453)	2
3B	80677GT	WHEEL, PNEUMATIC, 10", 5/8" HUB (pneumatic wheel option)	2
4	37202GT	BUSHING, 3/4 O.D X 2.44 L.G X .5 I.D	2
5	6732GT	SCREW, HHC, 1/2-13 X 3.25	2
5A	35298GT	SCREW, SHS, 1/2-13 4.00 SHOULDER (pneumatic wheel option)	2
6	6095GT	WASHER, FLAT, USS, 1/2", Y	
7	35315GT	WELDMENT, STANDARD LEG , GL	2
8	10107GT	SCREW, HHC, 5/16-18 X .75	
9	6002GT	NUT, LP NYLOCK, 5/16-18	8
10	6415GT	CASTER, PL SW DUAL 2.0 X 1.88	2
10A	80677GT	WHEEL, PNEUMATIC, 10", 5/8" HUB (to SN 1300-16497) (pneumatic wheel option)	2
10B	57731GT	CASTER, PL, SW, 2.50 X 1.25 (from SN 1300-16498) (pneumatic wheel option)	
11	37082GT	BASE WELDMENT W/ DECAL, STD. GL	1

Go to Discount-Equipment.com to order your parts



201.3 Standard Base Components



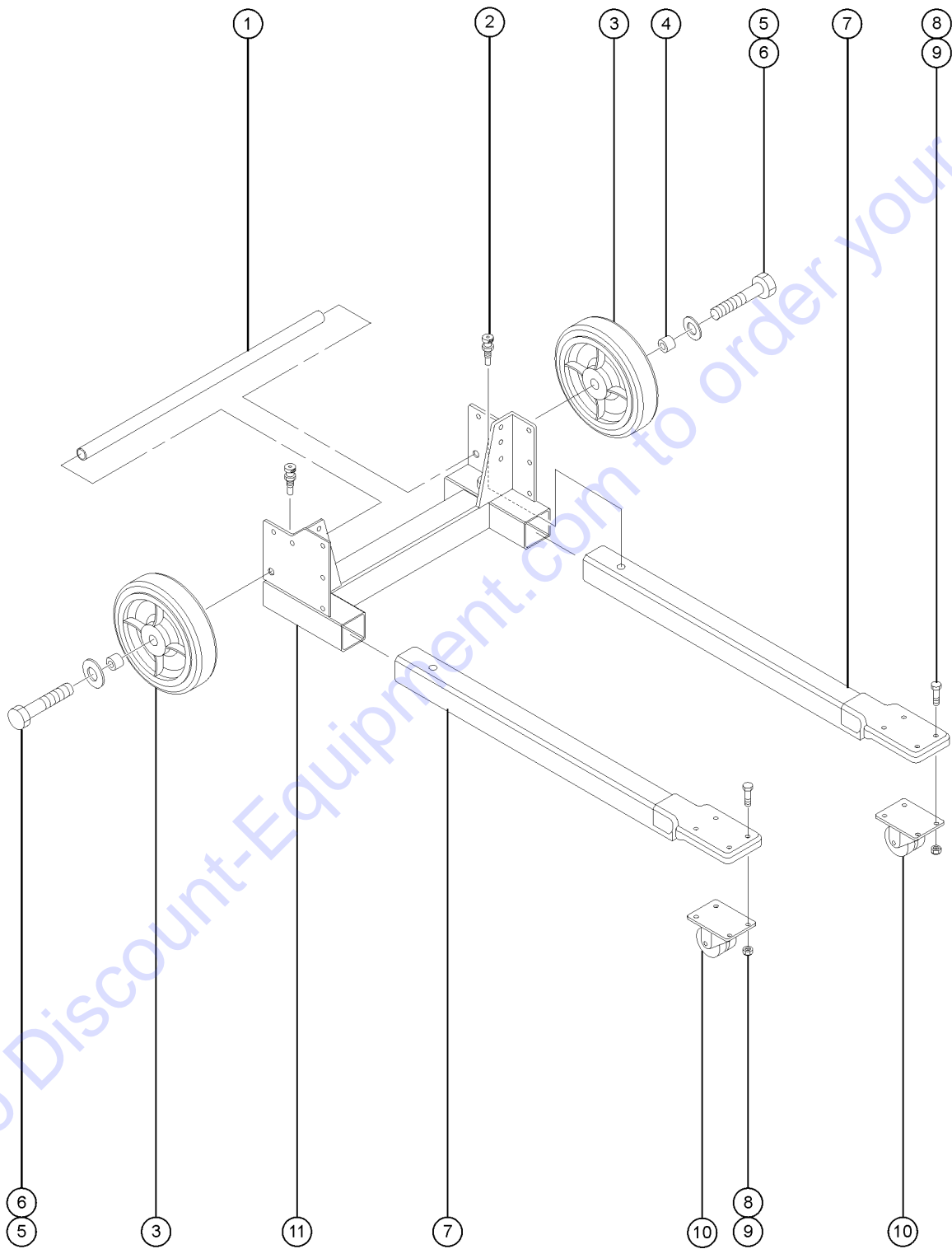
201.3 Standard Base Components

Item	Part No.	Description	Qty.
1	35235GT	TUBE, AXLE, GL 18.685"	1
2	32375GT	PIN,LOCK,LONG***	2
3A	57787-SGT	KIT,WHEEL,TPE,8 X 2,3/4,1/2 (from SN 1300-16498) (standard wheel option) (shown) (same fit and function, but different color from the 32453)	2
3B	80677GT	WHEEL,PNEUMATIC,10",5/8" HUB (pneumatic wheel option)	2
4	37202GT	BUSHING,3/4ODX2.44LGX.5ID	2
5	6732GT	SCREW,HHC,1/2-13 X 3.25	2
5A	35298GT	SCREW,SHS,1/2-13 4.00 SHOULDER (pneumatic wheel option)	2
6	6095GT	WASHER,FLAT,USS,1/2",Y	
7	35315GT	WELDMENT,STANDARD LEG , GL	2
8	10107GT	SCREW,HHC,5/16-18 X .75	
9	6002GT	NUT,LP NYLOCK,5/16-18	8
10	6415GT	CASTER, PL SW DUAL 2.0 X 1.88	2
10B	57731GT	CASTER, PL, SW, 2.50 X 1.25 (from SN 1300-16498) (pneumatic wheel option)	
11	37082GT	BASE WELDMENT W/ DECAL, STD.GL	1

Go to Discount-Equipment.com to order your parts



201.4 Standard Base Components



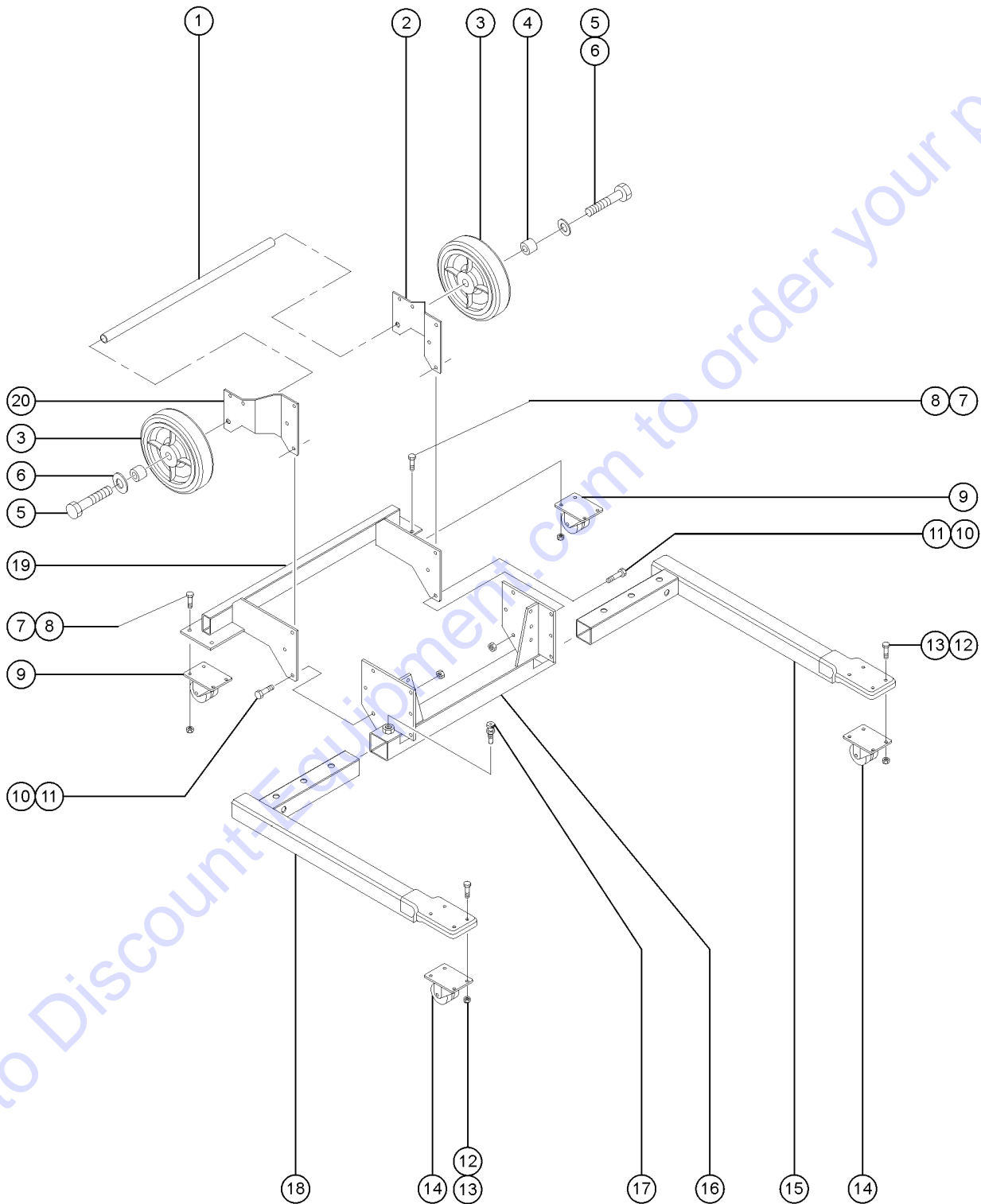
201.4 Standard Base Components

Item	Part No.	Description	Qty.
1	35235GT	TUBE, AXLE, GL 18.685"	1
2	32375GT	PIN, LOCK, LONG***	2
3A	57787-SGT	KIT, WHEEL, TPE, 8 X 2, 3/4, 1/2 from SN 16498 (standard wheel option) (shown) (same fit and function, but different color from the 32453)	2
3B	80677GT	WHEEL, PNEUMATIC, 10", 5/8" HUB (pneumatic wheel option)	2
4	37202GT	BUSHING, 3/4 ODX 2.44 LGX. 5ID (standard wheel option)	2
5	6732GT	SCREW, HHC, 1/2-13 X 3.25	2
5A	35298GT	SCREW, SHS, 1/2-13 4.00 SHOULDER (pneumatic wheel option)	2
6	6095GT	WASHER, FLAT, USS, 1/2", Y	
7	35315GT	WELDMENT, STANDARD LEG , GL	2
8	10107GT	SCREW, HHC, 5/16-18 X .75	
9	6002GT	NUT, LP NYLOCK, 5/16-18	8
10	6415GT	CASTER, PL SW DUAL 2.0 X 1.88	2
10B	57731GT	CASTER, PL, SW, 2.50 X 1.25 from SN 16498 (pneumatic wheel option)	
11	37082GT	BASE WELDMENT W/ DECAL, STD. GL	1

Go to Discount-Equipment.com to order your parts



202.1 Straddle Base Components

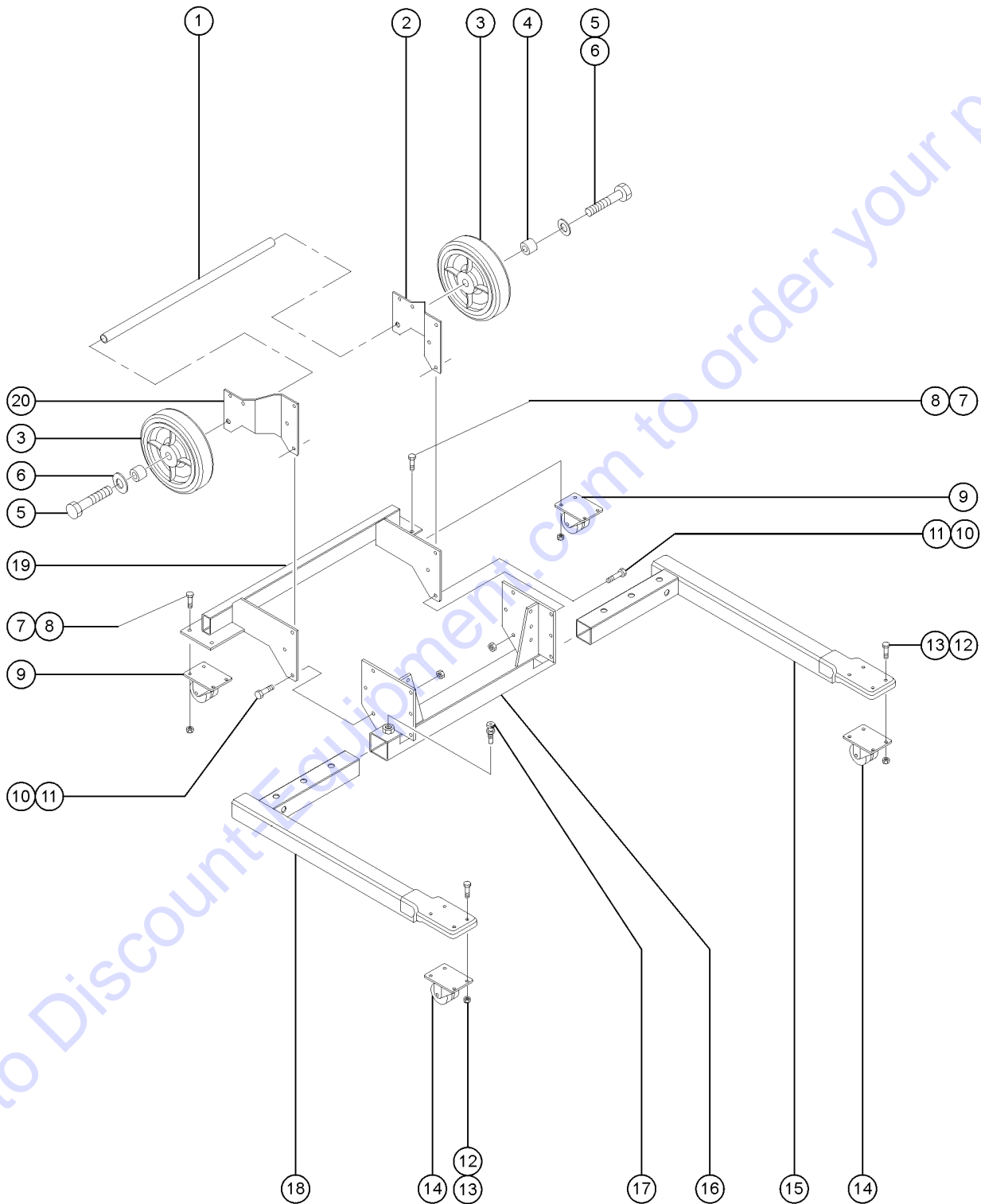


Go to DiscountEquipment.com to order your parts

202.1 Straddle Base Components

Item	Part No.	Description	Qty.
1	35300GT	TUBE, STRADDLE BASE AXLE	1
2	35640-SGT	PLATE,WHEEL MNT,LH,GL "BLUE"	1
3	32453GT	WHEEL,PERFORMA,8 X 2 (to serial number 1300-16497) (standard wheel option)	2
3A	57787-SGT	KIT,WHEEL,TPE,8 X 2,3/4,1/2 (from S/N 1300-16498) (shown) (same fit and function, but different color) (standard wheel option)	2
3B	80677GT	WHEEL,PNEUMATIC,10",5/8" HUB (pneumatic wheel option)	2
4	37202GT	BUSHING,3/4ODX2.44LGX.5ID	2
5	6732GT	SCREW,HHC,1/2-13 X 3.25	
		(standard wheel option)	
5A	35298GT	SCREW,SHS,1/2-13 4.00 SHOULDER	
		(pneumatic wheel option)	
6	6095GT	WASHER,FLAT,USS,1/2",Y	
7	6175GT	SCREW,HHC,3/8-16 X 1	
8	4828GT	NUT,NYLOCK,3/8-16	
9	57734GT	CASTER,SW, 4 X 1.5 (RED)	2
		(caster "A" option)	
9A	57740GT	CASTER,PL,SW LOCK, SB, 5 X 2 (to serial number 1300-16452) (caster "B" option)	2
10	6090GT	SCREW,HHC,1/4-20 X .75	
11	6091GT	NUT,NYLOCK,1/4-20	6
12	10107GT	SCREW,HHC,5/16-18 X .75	
13	6002GT	NUT,LP NYLOCK,5/16-18	
14	80677GT	WHEEL,PNEUMATIC,10",5/8" HUB (to serial number 1300-16497) (pneumatic wheel and caster "B" option)	2
14B	6415GT	CASTER, PL SW DUAL 2.0 X 1.88	2
15	35894-SGT	WELDMENT,STRADDLE LEG L.H.,GL	1
16	37083GT	BASE ASSY.W/DECAL,STRADL&CNTWT	1
17	32375GT	PIN,LOCK,LONG***	
18	35895-SGT	WELDMENT,STRADDLE LEG R.H.,GL	1
19	35638GT	WELDMENT, CASTER OPTION (4 PT)	1
20	35641-SGT	PLATE,WHEEL MNT,RH,GL "BLUE"	1

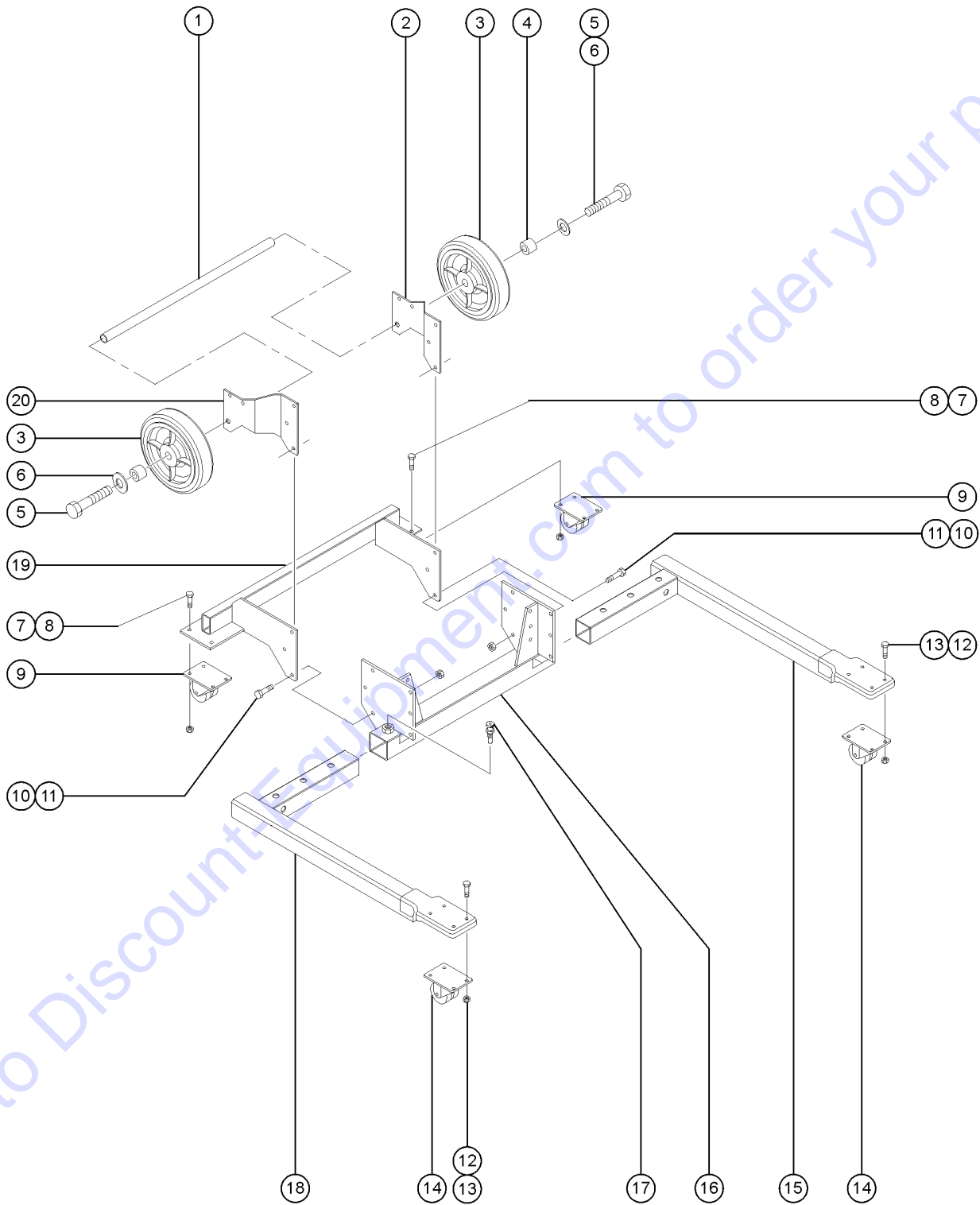
202.2 Straddle Base Components



Go to DiscountEquipment.com to order your parts

Item	Part No.	Description	Qty.
1	35300GT	TUBE, STRADDLE BASE AXLE	1
2	35640-SGT	PLATE,WHEEL MNT,LH,GL "BLUE"	1
3	32453GT	WHEEL,PERFORMA,8 X 2	2
		(to SN 1300-16497)	
3A	57787-SGT	KIT,WHEEL,TPE,8 X 2,3/4,1/2	2
		(from S/N 1300-16498) (shown) (same fit and function, but different color) (standard wheel option)	
3B	80677GT	WHEEL,PNEUMATIC,10",5/8" HUB	2
		(pneumatic wheel option)	
4	37202GT	BUSHING,3/4ODX2.44LGX.5ID	2
		(standard wheel option)	
5	6732GT	SCREW,HHC,1/2-13 X 3.25	
		(standard wheel option)	
5A	35298GT	SCREW,SHS,1/2-13 4.00 SHOULDER	
		(pneumatic wheel option)	
6	6095GT	WASHER,FLAT,USS,1/2",Y	
7	6175GT	SCREW,HHC,3/8-16 X 1	
8	4828GT	NUT,NYLOCK,3/8-16	
9	57734GT	CASTER,SW, 4 X 1.5 (RED)	2
		(caster "A" option)	
9A	57740GT	CASTER,PL,SW LOCK, SB, 5 X 2	2
		(to S/N 1300-16452) (caster "B" option)	
9B	57740GT	CASTER,PL,SW LOCK, SB, 5 X 2	
		(from S/N 1300-16453) (caster "B" option)	
10	6090GT	SCREW,HHC,1/4-20 X .75	
11	6091GT	NUT,NYLOCK,1/4-20	6
12	10107GT	SCREW,HHC,5/16-18 X .75	
13	6002GT	NUT,LP NYLOCK,5/16-18	
14	80677GT	WHEEL,PNEUMATIC,10",5/8" HUB	2
		(to S/N 1300-16497) (caster "B" option)	
14A	57731GT	CASTER, PL, SW, 2.50 X 1.25	
		(from serial number 1300-16498 (pneumatic wheel and caster "B" option)	
14B	6415GT	CASTER, PL SW DUAL 2.0 X 1.88	2
15	35894GT	WELDMENT,STRADDLE LEG L.H.,GL	1
16	37083GT	BASE ASSY.W/DECAL,STRADL&CNTWT	1
17	32375GT	PIN,LOCK,LONG***	
18	35895-SGT	WELDMENT,STRADDLE LEG R.H.,GL	1
19	35638GT	WELDMENT, CASTER OPTION (4 PT)	1
20	35641-SGT	PLATE,WHEEL MNT,RH,GL "BLUE"	1

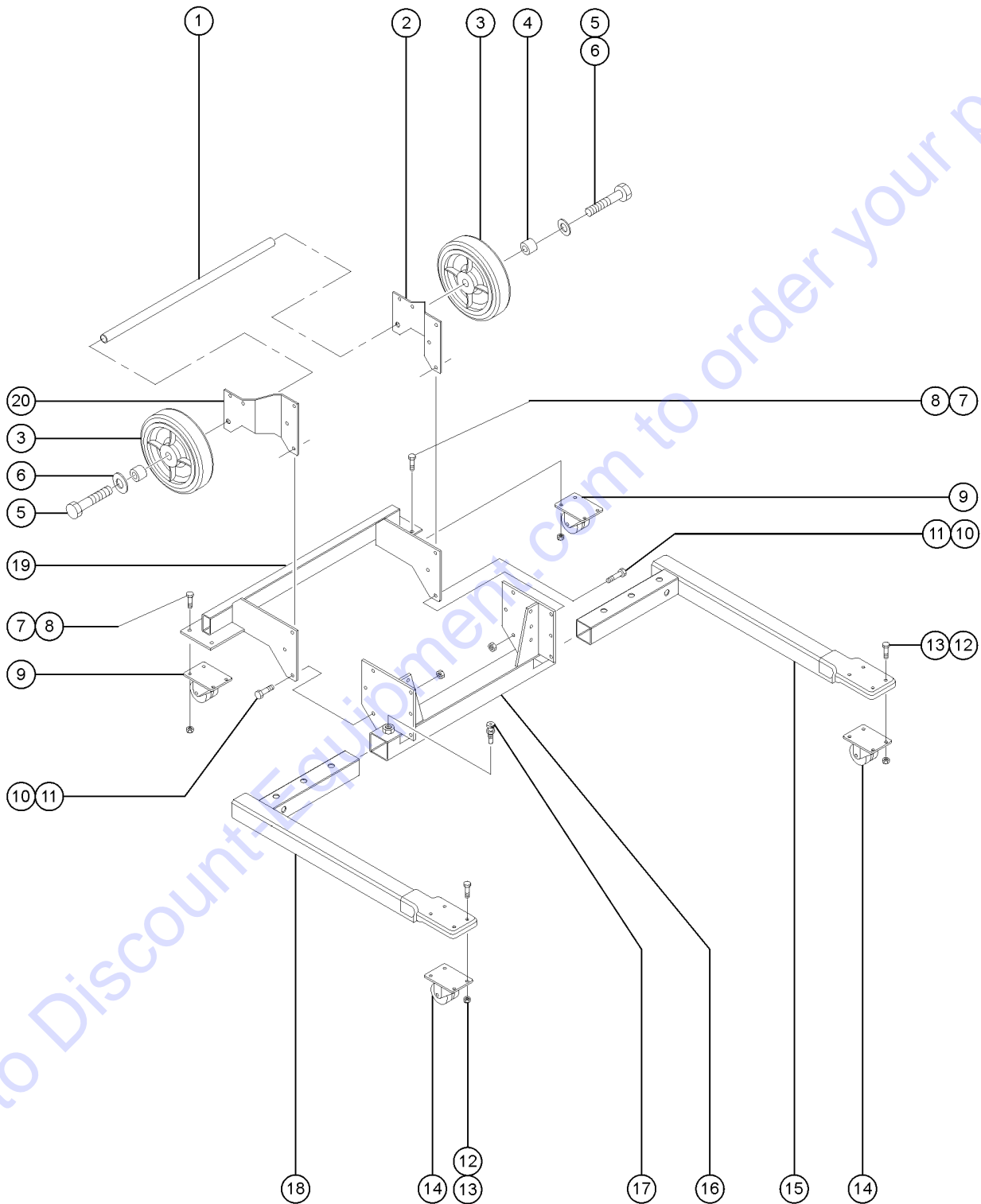
202.3 Straddle Base Components



202.3 Straddle Base Components

Item	Part No.	Description	Qty.
1	35300GT	TUBE, STRADDLE BASE AXLE	1
2	35640-SGT	PLATE,WHEEL MNT,LH,GL "BLUE"	1
3A	57787-SGT	KIT,WHEEL,TPE,8 X 2,3/4,1/2 (from S/N 1300-16498) (shown) (same fit and function, but different color) (standard wheel option)	2
3B	80677GT	WHEEL,PNEUMATIC,10",5/8" HUB (pneumatic wheel option)	2
4	37202GT	BUSHING,3/4ODX2.44LGX.5ID	2
5	6732GT	SCREW,HHC,1/2-13 X 3.25	
		(standard wheel option)	
5A	35298GT	SCREW,SHS,1/2-13 4.00 SHOULDER	
		(pneumatic wheel option)	
6	6095GT	WASHER,FLAT,USS,1/2",Y	
7	6175GT	SCREW,HHC,3/8-16 X 1	
8	4828GT	NUT,NYLOCK,3/8-16	
9	57734GT	CASTER,SW, 4 X 1.5 (RED)	2
		(caster "A" option)	
10	6090GT	SCREW,HHC,1/4-20 X .75	
11	6091GT	NUT,NYLOCK,1/4-20	6
12	10107GT	SCREW,HHC,5/16-18 X .75	
13	6002GT	NUT,LP NYLOCK,5/16-18	
14A	57731GT	CASTER, PL, SW, 2.50 X 1.25 (from S/N 1300-16498) (pneumatic wheel and caster "B" option)	2
14B	6415GT	CASTER, PL SW DUAL 2.0 X 1.88	2
15	35894GT	WELDMENT,STRADDLE LEG L.H.,GL	1
16	37083GT	BASE ASSY.W/DECAL,STRADL&CNTWT	1
17	32375GT	PIN,LOCK,LONG***	
18	35895-SGT	WELDMENT,STRADDLE LEG R.H.,GL	1
19	35638GT	WELDMENT, CASTER OPTION (4 PT)	1
20	35641-SGT	PLATE,WHEEL MNT,RH,GL "BLUE"	1

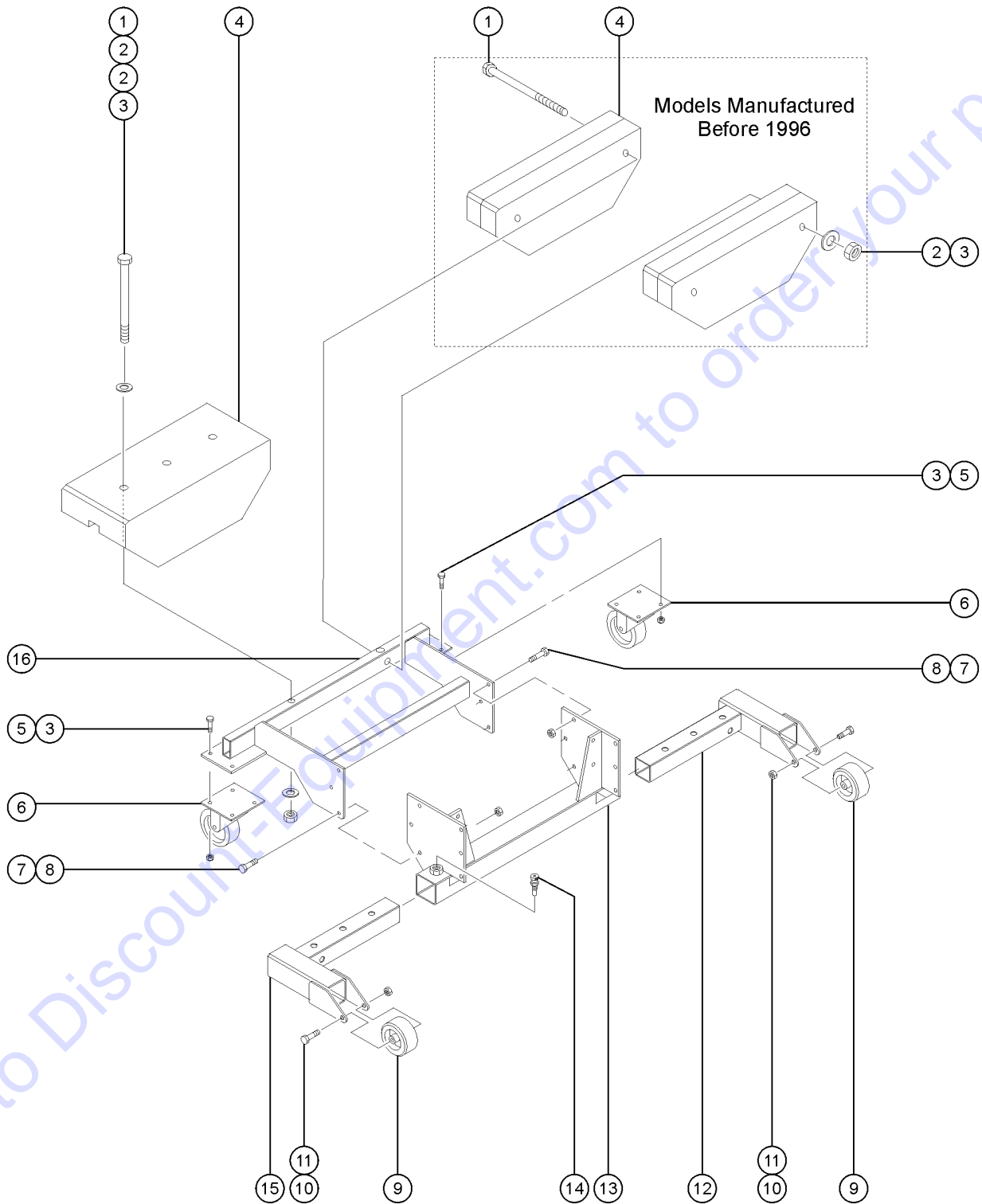
202.4 Straddle Base Components



202.4 Straddle Base Components

Item	Part No.	Description	Qty.
1	35300GT	TUBE, STRADDLE BASE AXLE	1
2	35640-SGT	PLATE,WHEEL MNT,LH,GL "BLUE"	1
3A	57787-SGT	KIT,WHEEL,TPE,8 X 2,3/4,1/2 (from S/N 1300-16498) (shown) (same fit and function, but different color) (standard wheel option)	2
3B	80677GT	WHEEL,PNEUMATIC,10",5/8" HUB	2
4	37202GT	BUSHING,3/4ODX2.44LGX.5ID	2
		(standard wheel option)	
5	6732GT	SCREW,HHC,1/2-13 X 3.25	
		(standard wheel option)	
5A	35298GT	SCREW,SHS,1/2-13 4.00 SHOULDER	
		(pneumatic wheel option)	
6	6095GT	WASHER,FLAT,USS,1/2",Y	
7	6175GT	SCREW,HHC,3/8-16 X 1	
8	4828GT	NUT,NYLOCK,3/8-16	
9	57734GT	CASTER,SW, 4 X 1.5 (RED)	2
		(caster "A" option)	
9B	57740GT	CASTER,PL,SW LOCK, SB, 5 X 2 (from SN 1300-16453) (caster "B" option)	
10	6090GT	SCREW,HHC,1/4-20 X .75	
11	6091GT	NUT,NYLOCK,1/4-20	6
12	10107GT	SCREW,HHC,5/16-18 X .75	
13	6002GT	NUT,LP NYLOCK,5/16-18	
14A	57731GT	CASTER, PL, SW, 2.50 X 1.25 (from SN 1300-16498) (pneumatic wheel and caster "B" option) (p/n 37026 replaced by p/n 57731)	2
14B	6415GT	CASTER, PL SW DUAL 2.0 X 1.88	2
15	35894GT	WELDMENT,STRADDLE LEG L.H.,GL	1
16	37083GT	BASE ASSY.W/DECAL,STRADL&CNTWT	1
17	32375GT	PIN,LOCK,LONG***	
18	35895-SGT	WELDMENT,STRADDLE LEG R.H.,GL	1
19	35638GT	WELDMENT, CASTER OPTION (4 PT)	1
20	35641-SGT	PLATE,WHEEL MNT,RH,GL "BLUE"	1

203.1 Counterweight Base Components



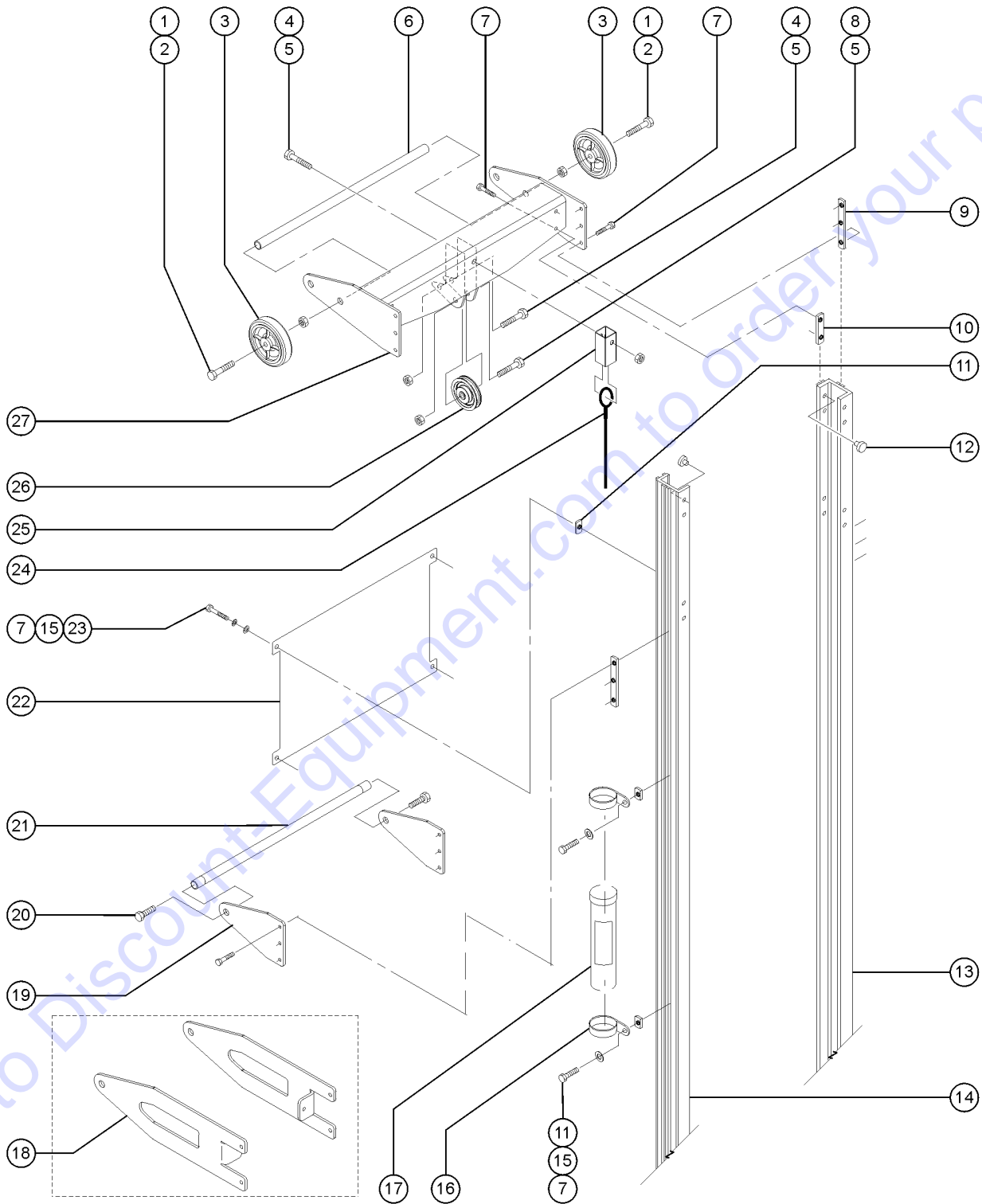
203.1 Counterweight Base Components

Item	Part No.	Description	Qty.
1	22832GT	SCREW,HHC,3/8-16 X 6	
2	5397GT	WASHER,FLAT,USS,5/16",Y	
3	7713GT	NUT,LP NYLOCK,3/8-16	2
4	38362GT	COUNTERWEIGHT CASTING,"GRAY"*** (250 lbs, 113.4 kg) (Note: For models equipped with counterweight option manufactured before July 1996, contact Discount-Equipment for installation instructions.)	1
5	6175GT	SCREW,HHC,3/8-16 X 1	
6	57735GT	CASTER,PL,SW,SB, 5 X 1.5***	2
7	6090GT	SCREW,HHC,1/4-20 X .75	
8	6091GT	NUT,NYLOCK,1/4-20	
9	57786GT	WHEEL,POLY,4X2,3/4,1/2** (p/n 33623 replaced by p/n 57786)	2
9-	37202GT	BUSHING,3/4ODX2.44LGX.5ID	2
10	6086GT	NUT,LP NYLOCK,1/2-13	
11	6732GT	SCREW,HHC,1/2-13 X 3.25	
12	35896GT	WELDMNT,SHORT LEG L.H.,GL	1
13		Ref. Base Assembly	1
14	32375GT	PIN,LOCK,LONG***	2
15	35897GT	WELDMNT,SHORT LEG R.H.,GL	1
16	35996GT	WELDMNT, CASTER MOUNT CNTRWT	1

Go to Discount-Equipment.com to order your parts

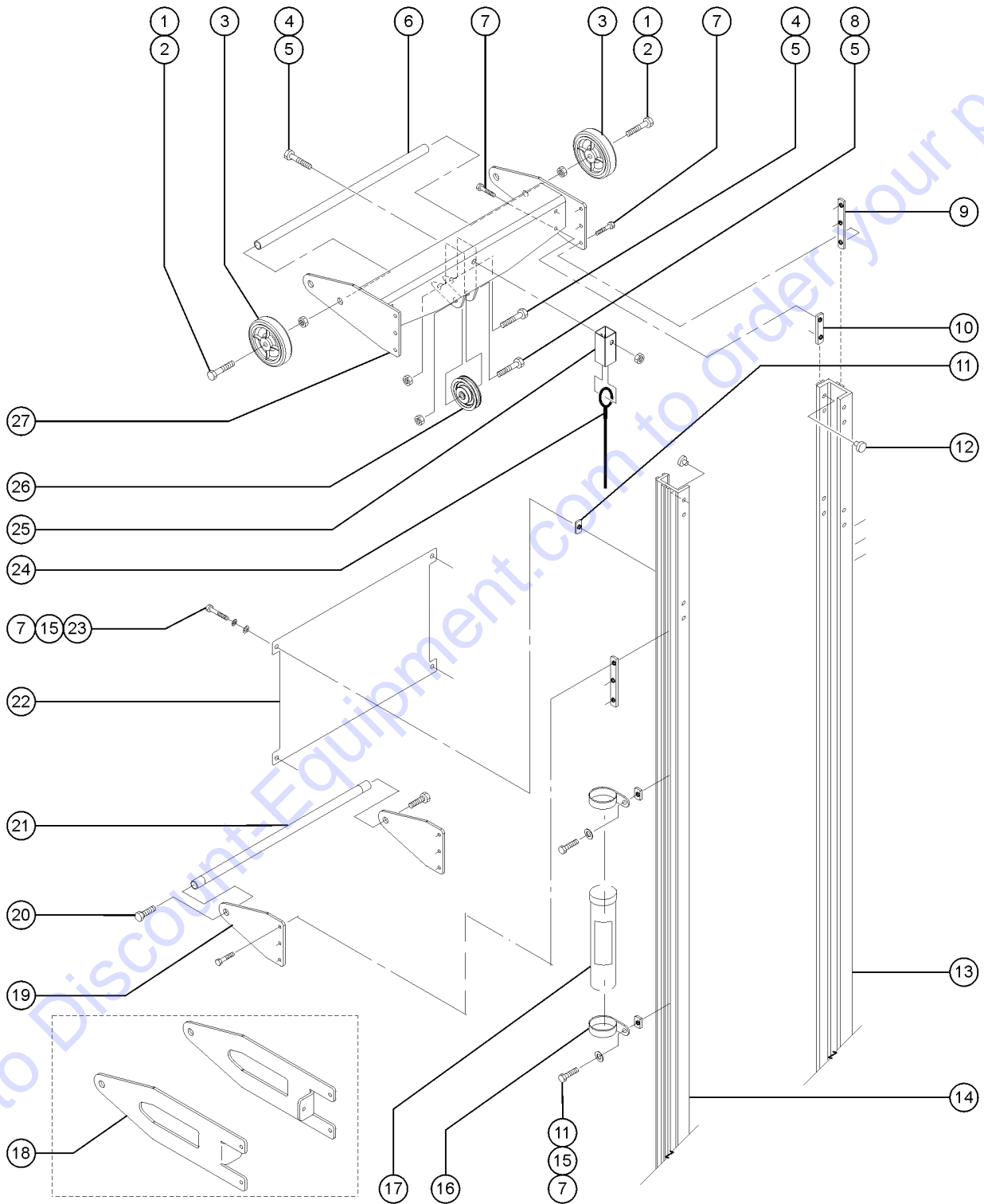


301.1 Outer Frame and Attached Parts - View 1



Item	Part No.	Description	Qty.
1	6732GT	SCREW,HHC, 1/2-13 X 3.25 (standard and straddle base models)	2
2	6034GT	NUT,HEX,JAM, 1/2-13 (standard and straddle base models)	
3	57784GT	WHEEL,POLYOLEFIN,4X1.25,1/2 (standard and straddle base models) (p/n 5344 replaced by p/n 57784)	2
4	8178GT	SCREW,HHC,3/8-16 X 2.5	
5	4828GT	NUT,NYLOCK,3/8-16	3
5A	4828GT	NUT,NYLOCK,3/8-16 GL-4	4
6	35235GT	TUBE, AXLE, GL 18.685" (standard and straddle base models)	1
7	7339GT	SCREW,HHC, 1/4-20 X .5	16
8	5224GT	SCREW,HHC,3/8-16 X 2	
9	44405GT	NUT,WELD,TRI, 1/4-20,1.5",PLTD	4
10	38510GT	NUT,WELD 'TP', 1/4-20,ZINC	
11	35991GT	NUT,WELD 1/4-20, PLATED L.L. ** (standard and straddle base models)	20
11A	35991GT	NUT,WELD 1/4-20, PLATED L.L. ** (counterweight base models)	20
12	11890GT	GLIDE BUTTON,SIDE, GLL., 100 TK GL-8, GL-10 and GL-12 models	24
13	35318GT	OUTERFRAME,LH.MACHINED-GL8 GL-4, GL-8	1
13A	35322GT	OUTERFRAME,LH.MACHINED-GL10 GL-10	1
13B	35352GT	OUTERFRAME,LH.MACHINED-GL12 GL-12	1
14	35317GT	OUTERFRAME,RH.MACHINED-GL8 GL-4, GL-8	1
14A	35321GT	OUTERFRAME,RH.MACHINED-GL10 GL-10	1
14B	35351GT	OUTERFRAME,RH.MACHINED-GL12 GL-12	1
15	6356GT	WASHER,LOCK,.25	
16	6653GT	CLAMP,1.88,#30 X 1/4,RUB CUSH	2
17	115374GT	INSTRUCTION TUBE ASSY,WORD (Includes decal and items 7, 11, 15, and 16)	1
17A	115375GT	INSTRUCTION TUBE ASSY,SYMBOL (includes decal and items 7, 11, 15, and 16)	
18	37018GT	BRACKET,HANDLE (counterweight base models)	2
19	35347GT	PLATE,HANDLE SIDE (standard and straddle base models)	2
20	10587GT	SCREW,HHC, 1/2-13 X.75	
21	37087GT	HANDLE ASSEMBLY, GL (includes index number 6)	1

301.1 Outer Frame and Attached Parts - View 1



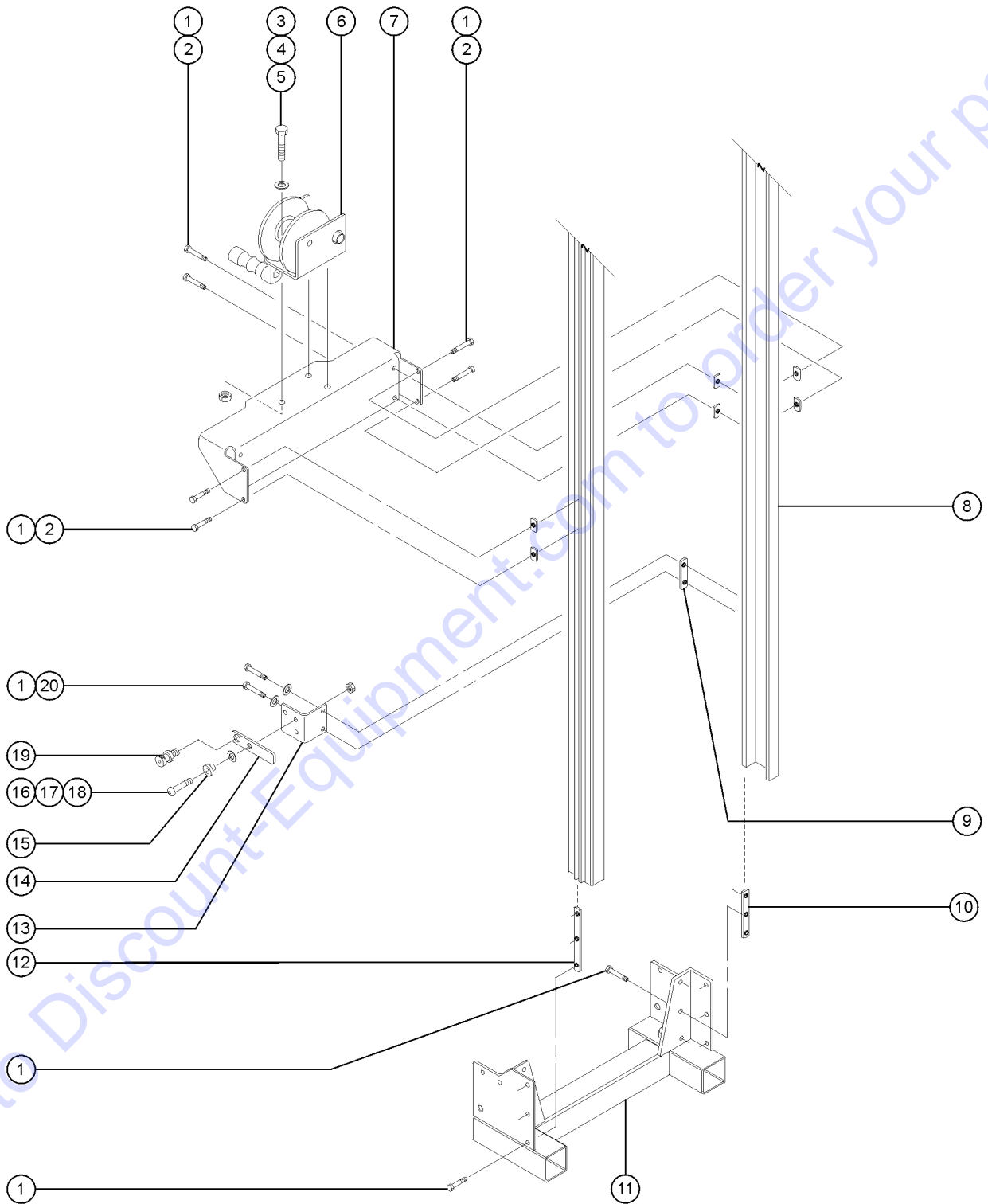
301.1 Outer Frame and Attached Parts - View 1

Item	Part No.	Description	Qty.
21-	35912GT	HANDLE GRIP, GL	1
22	37088GT	DECAL PLATE W/ DECALS GL	1
23	6638GT	WASHER, FLAT, USS, 1/4"Y	
24	5393GT	CABLE ASSEMBLY-GL#4	1
		GL-4	
24-		Ref. Cable Assembly	1
		GL-8, GL-10, GL-12 (refer to 303.1)	
25	35326GT	CABLE ANCHOR	1
		GL-4	
26	37263GT	PULLEY, GL	1
27	35280-SGT	WELDMENT, HANDLE, GL	1

Go to Discount-Equipment.com to order your parts



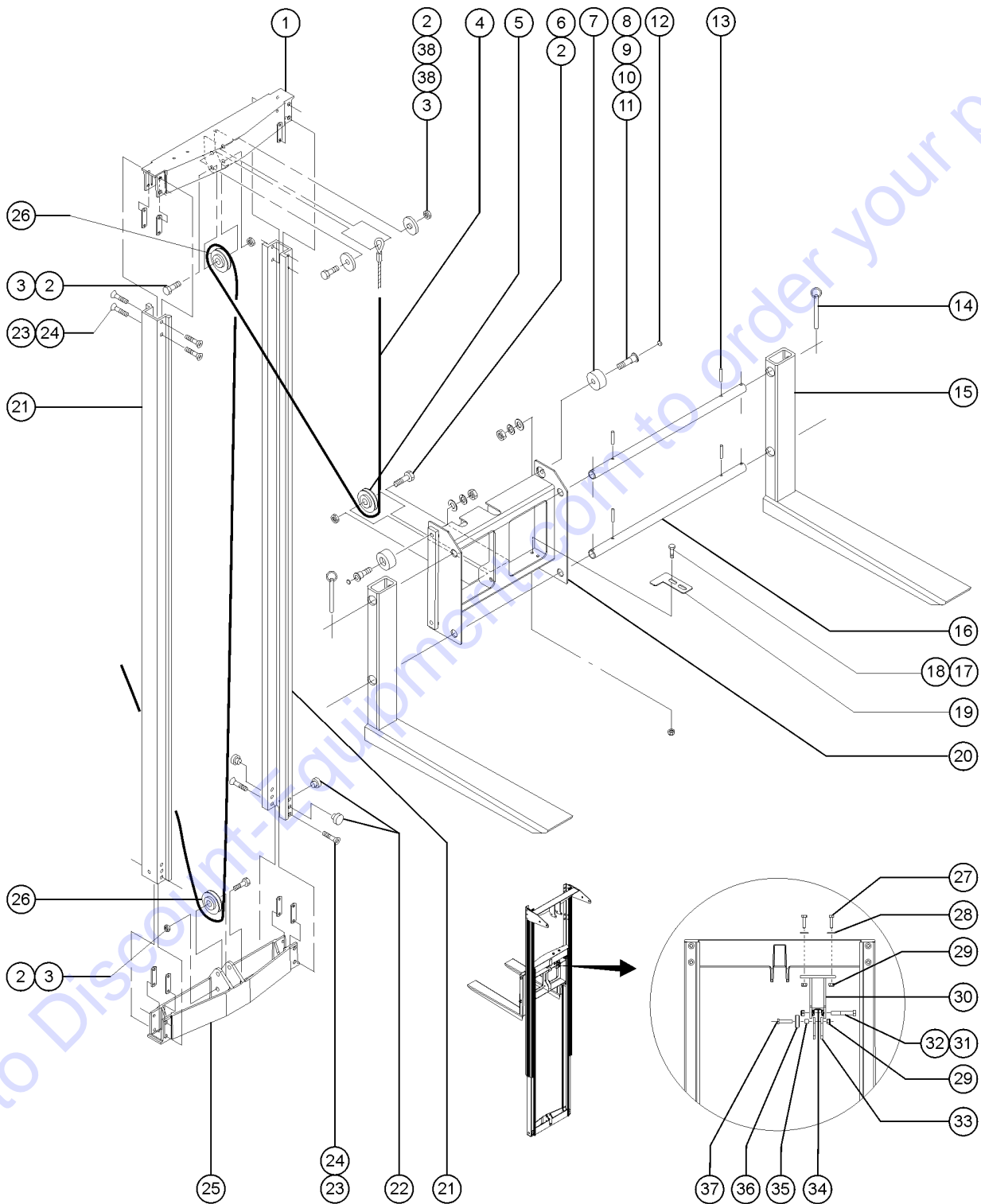
302.1 Outer Frame and Attached Parts - View 2



Go to Discount-Equipment.com to order your parts

Item	Part No.	Description	Qty.
1	7339GT	SCREW,HHC,1/4-20 X .5	
2	35991GT	NUT,WELD 1/4-20, PLATED L.L. **	
3	6175GT	SCREW,HHC,3/8-16 X 1	
4	6097GT	WASHER,FLAT,USS,3/8",Y	
5	4828GT	NUT,NYLOCK,3/8-16	
6		Ref. Winch Assembly (refer to 307.1, 308.1 or 309.1)	
7	37146GT	BRACKET,WINCH MOUNT W/ DECALS for standard winch	
7A	109831GT	FORMING,WINCH MOUNT for heavy duty winch	
8		Ref. Outer Frame (refer to 301.1)	
9	38510GT	NUT,WELD 'TP',1/4-20,ZINC	
10	44405GT	NUT,WELD,TRI,1/4-20,1.5",PLTD	2
11		Ref. Base Assembly (refer to 201.1, 202.1 or 203.1)	
12	49712GT	NUT,WELD,TRI,1/4-20,2.5",PLTD	
13	35631-SGT	BRACKET,HOLD DOWN GL	1
14	35632GT	LATCH-HOLD DOWN,GL	1
15	33720GT	BEARING,FLANGE,3/8 (AWP & ST)	1
16	28487GT	SCREW,BHHS,3/8-16 X 1	
17	6052GT	WASHER,SHIM,.5 X .875 X .063	1
18	7713GT	NUT,LP NYLOCK,3/8-16	
19	6825GT	PIN,OUTRIGGER LOCK	1
20	6356GT	WASHER,LOCK,.25	

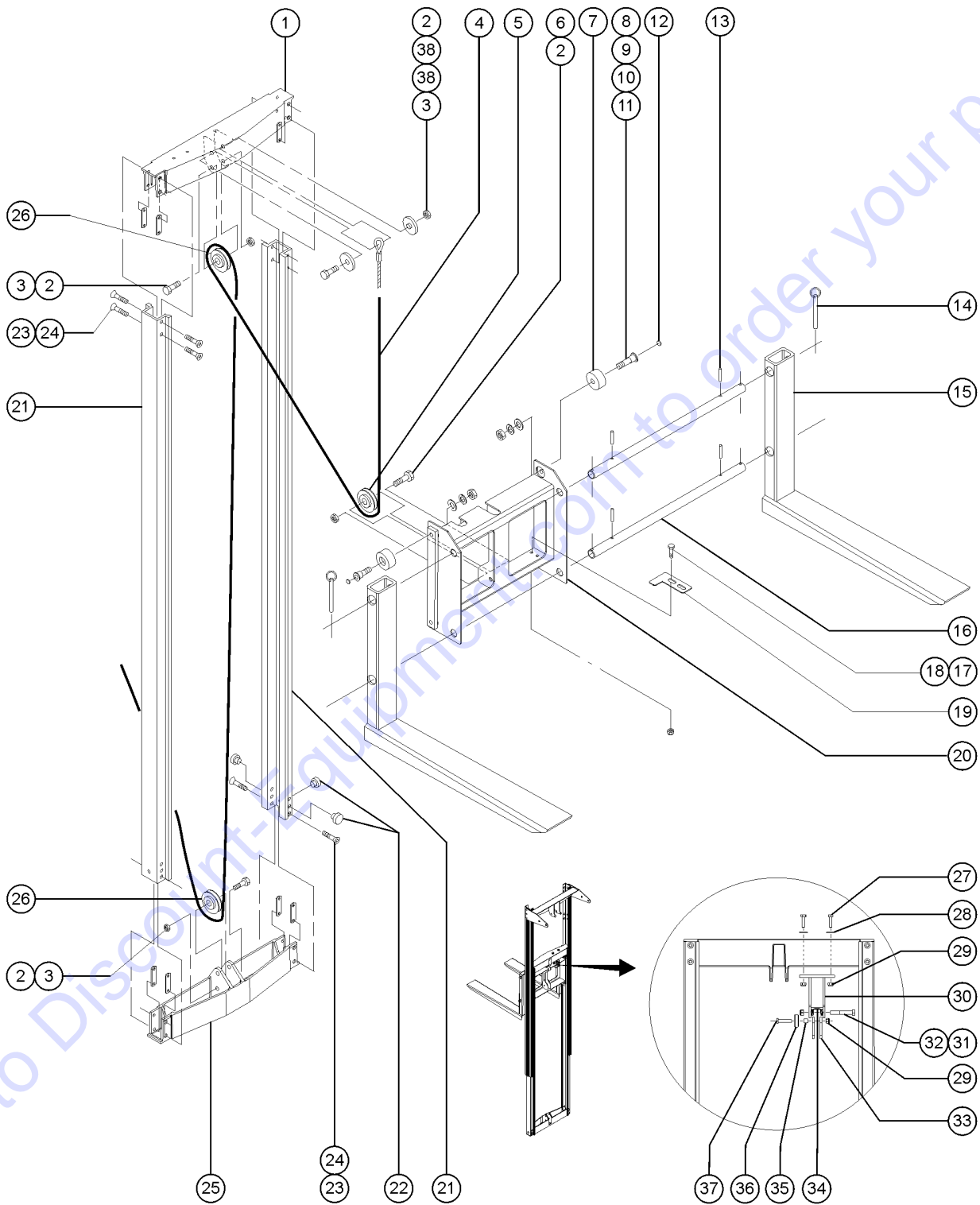
303.1 Inner Frame and Carriage



303.1 Inner Frame and Carriage

Item	Part No.	Description	Qty.
	90337GT	BOE LUBE aluminum dry lubricant	1
1	109952GT	CASTING, INNER FRAM TOP GL-8, GL-10, GL-12; also order Qty. 2 p/n 227873	1
2	4828GT	NUT, NYLOCK, 3/8-16	
3	8178GT	SCREW, HHC, 3/8-16 X 2.5 GL-8, GL-10, GL-12	
4	5270GT	CABLE ASSEMBLY GL #8	1
4A	5271GT	CABLE ASSEMBLY-GL#10	1
4B	5272GT	CABLE ASSEMBLY-GL#12	1
4C		Ref. Cable Assembly GL-4 (refer to 301.1)	
5	35915GT	SHEAVE(PULLEY), 2.00 DIAMETER	1
6	5224GT	SCREW, HHC, 3/8-16 X 2	
7	35299GT	ROLLER, WHEEL GL, GL-4	4
7A	11906GT	ROLLER-NYLATRON, 1.625" O.D. GL-8, GL-10, GL-12	4
8	21280GT	BOLT-ROLLER, 3/8-24 X 1.69-ZINC	
9	6021GT	WASHER, LOCK, .375	
10	6097GT	WASHER, FLAT, USS, 3/8", Y	
11	6054GT	NUT, HEX, 3/8-24	
12	21279GT	BUTTON, .800 O.D. X .281 GL-8, GL-10, GL-12	4
13	22547GT	PIN, ROLL, .188 X 1.25**	4
14	37512GT	PIN, LINCH GL FORK	4
15	35293-SGT	WELD, STANDARD FORK GL SERVICE	2
16	35285GT	TUBE, FORK SUPPORT	2
17	6090GT	SCREW, HHC, 1/4-20 X .75 GL-4 (bracket option - Electric Winch)	
18	6091GT	NUT, NYLOCK, 1/4-20 GL-4 (bracket option - Electric Winch)	
19	43325GT	LIMIT SWITCH ACTUATION, GL GL-4 (bracket option - Electric Winch)	1
20A	35286GT	WELDMENT, CARRIAGE, GL to SN GL07-51302	1
21	35319GT	INNERFRAME, MACHINED-GL8	2
21A	35323GT	INNERFRAME, MACHINED-GL10	2
21B	35353GT	INNERFRAME, MACHINED-GL12	2

303.1 Inner Frame and Carriage



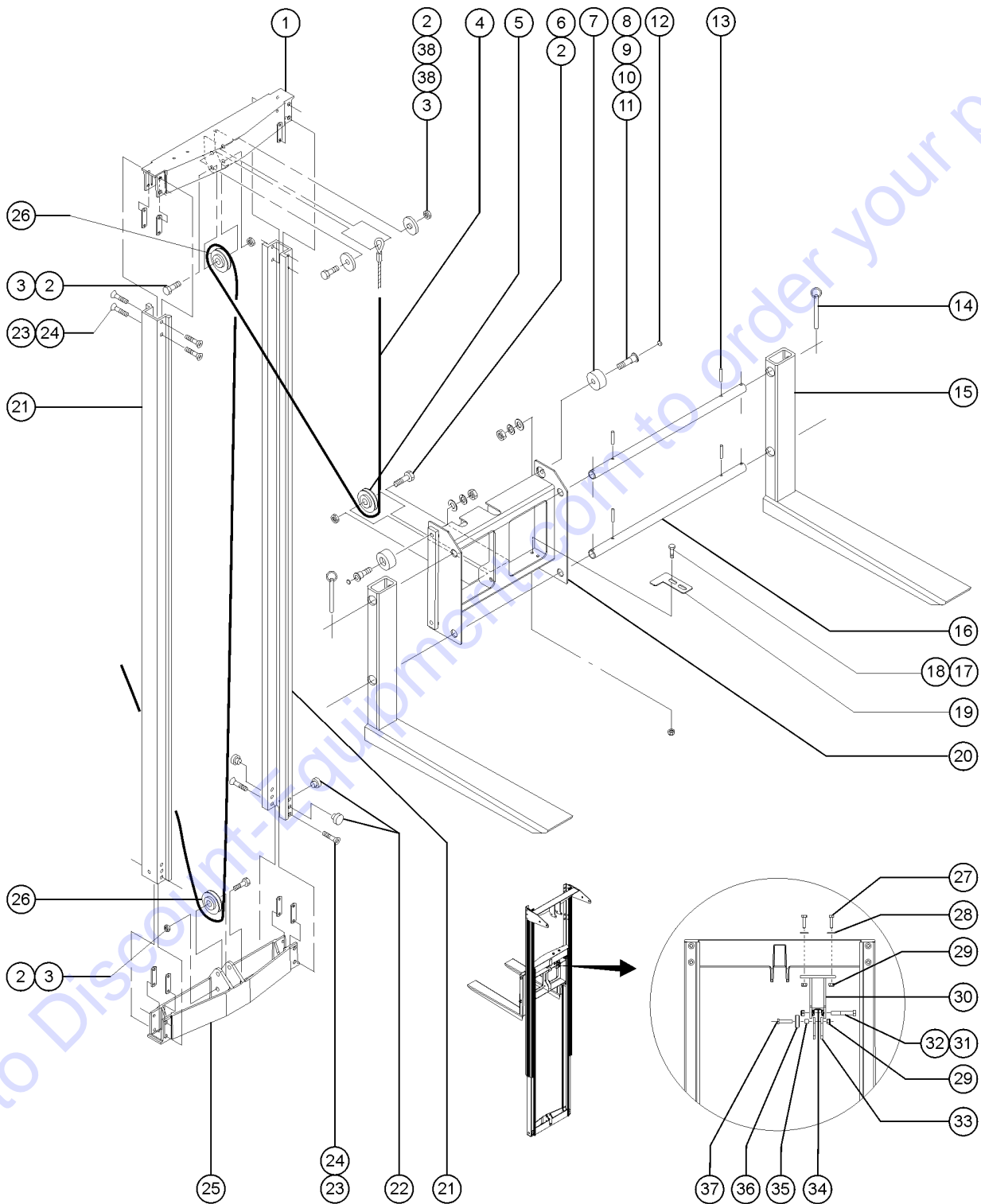
303.1 Inner Frame and Carriage

Item	Part No.	Description	Qty.
22	11890GT	GLIDE BUTTON, SIDE, GLL., 100 TK GL-8, GL-10, GL-12	10
23	8514GT	SCREW, FHS, 1/4-20 X .75	
24	38510GT	NUT, WELD 'TP', 1/4-20, ZINC	
25	35301GT	CASTING, INNER FRAME GL-8, GL-10, GL-12	1
26	37263GT	PULLEY, GL GL-4	2
26A	37263GT	PULLEY, GL GL-8, GL-10, GL-12	3
27	6888GT	SCREW, HHC, 1/4-20 X 1	
28	6638GT	WASHER, FLAT, USS, 1/4"Y	
29	6091GT	NUT, NYLOCK, 1/4-20	
30	124907GT	KIT, GL LATCH (to SN GL08-58821) (replaced 109947)	1
31	6-5205-16GT	SCREW, HHC, 5/16-18 X 2.00, GR8	
32	6782GT	NUT, NYLOCK, 5/16-18	
33	124907GT	KIT, GL LATCH (to SN GL08-58821) (replaced 109948)	2
34	124984GT	SPRING, TORSION, 45 DEGREE	1
35	35732GT	SPACER, TUBE, 1/4 X 3/8 **	1
36	109949GT	ROLLER, LATCH RELEASE	1
37	8915GT	SCREW, HHC, 1/4-20 X 1.25	
38	227873GT	BEARING, FL., .380IDX.506ODX.360L	2

Go to Discount-Equipment.com to order your parts

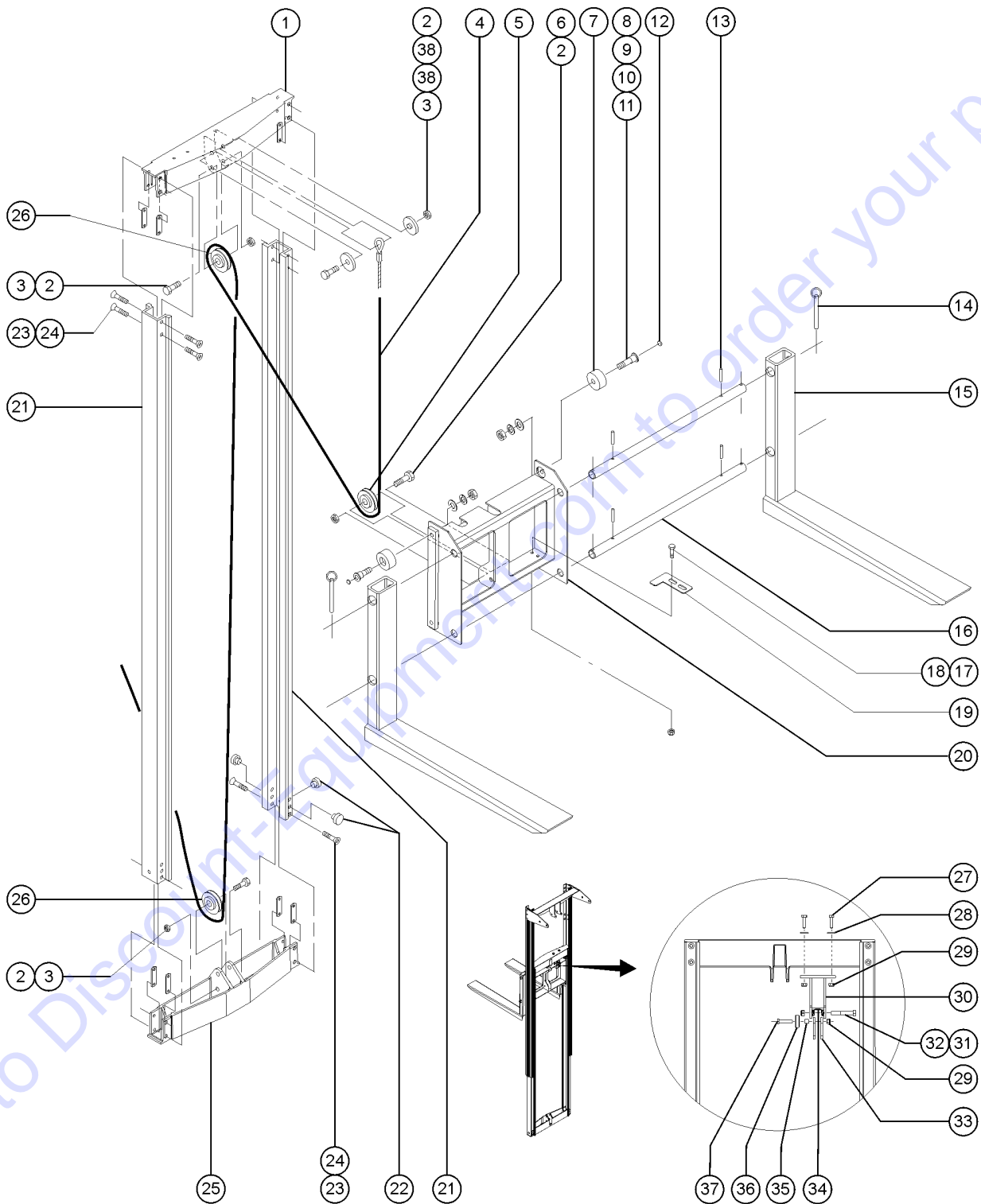


303.2 Inner Frame and Carriage



Item	Part No.	Description	Qty.
	90337GT	BOE LUBE aluminum dry lubricant	1
1	109952GT	CASTING, INNER FRAM TOP GL-8, GL-10, GL-12	1
2	4828GT	NUT, NYLOCK, 3/8-16	
3	8178GT	SCREW, HHC, 3/8-16 X 2.5 GL-8, GL-10, GL-12	
4	5270GT	CABLE ASSEMBLY GL #8	1
4A	5271GT	CABLE ASSEMBLY-GL#10	1
4B	5272GT	CABLE ASSEMBLY-GL#12	1
4C		Ref. Cable Assembly GL-4 (refer to 301.1)	
5	35915GT	SHEAVE(PULLEY), 2.00 DIAMETER	1
6	5224GT	SCREW, HHC, 3/8-16 X 2	
7	35299GT	ROLLER, WHEEL GL, GL-4	4
7A	11906GT	ROLLER-NYLATRON, 1.625" O.D. GL-8, GL-10, GL-12	4
8	21280GT	BOLT-ROLLER, 3/8-24 X 1.69-ZINC	
9	6021GT	WASHER, LOCK, .375	
10	6097GT	WASHER, FLAT, USS, 3/8", Y	
11	6054GT	NUT, HEX, 3/8-24	
12	21279GT	BUTTON, .800 O.D. X .281 GL-8, GL-10, GL-12	4
13	22547GT	PIN, ROLL, .188 X 1.25**	4
14	37512GT	PIN, LINCH GL FORK	4
15	35293-SGT	WELD, STANDARD FORK GL SERVICE	2
16	35285GT	TUBE, FORK SUPPORT	2
17	6090GT	SCREW, HHC, 1/4-20 X .75 GL-4 (bracket option - Electric Winch)	
18	6091GT	NUT, NYLOCK, 1/4-20 GL-4 (bracket option - Electric Winch)	
19	43325GT	LIMIT SWITCH ACTUATION, GL GL-4 (bracket option - Electric Winch)	1
20A	35286GT	WELDMENT, CARRIAGE, GL to SN GL07-51302	
20B	109944GT	ASSY, CARRIAGE WITH LATCH from SN GL07-51303	1
21	35319GT	INNERFRAME, MACHINED-GL8	2
21A	35323GT	INNERFRAME, MACHINED-GL10	2

303.2 Inner Frame and Carriage



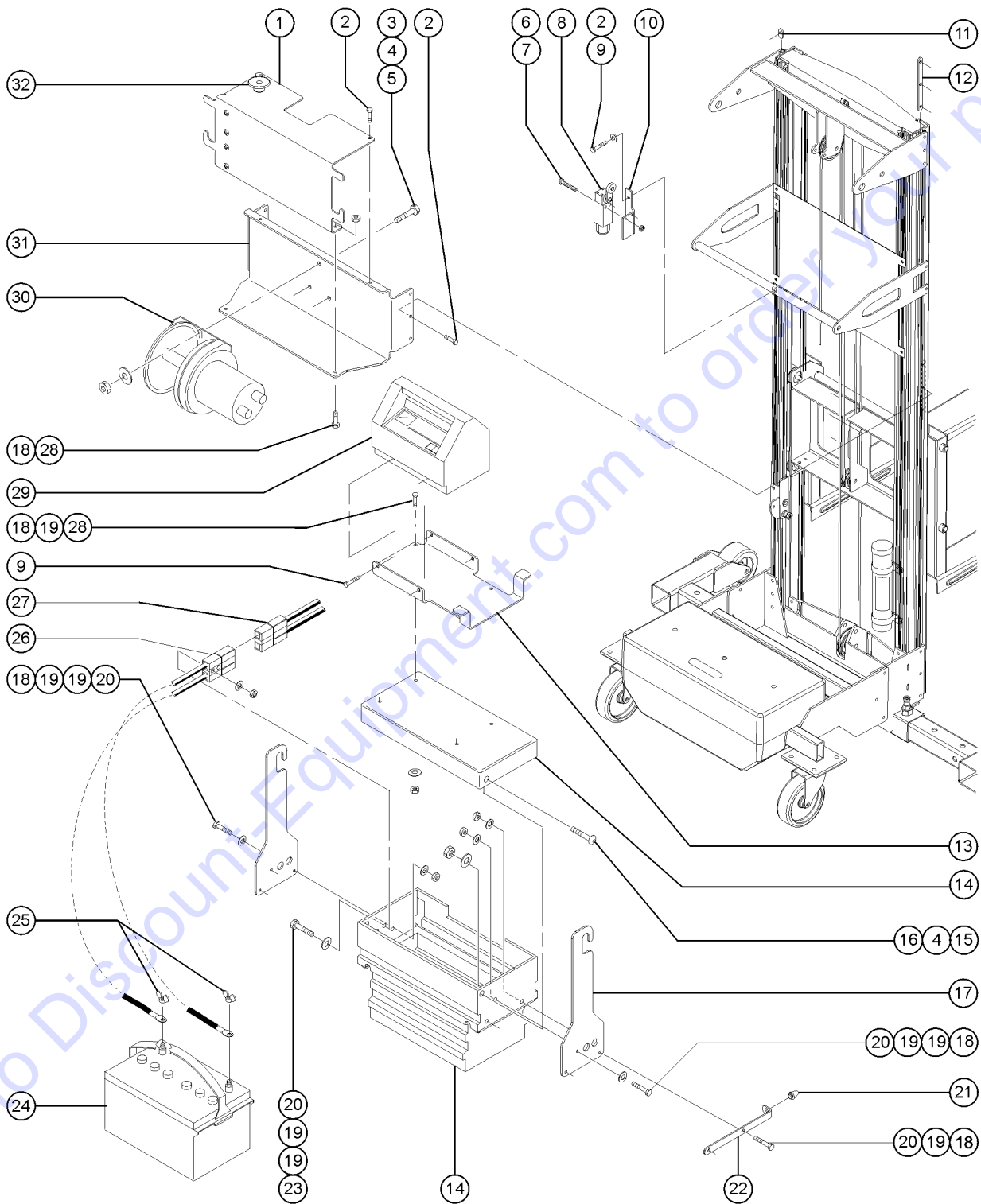
303.2 Inner Frame and Carriage

Item	Part No.	Description	Qty.
21B	35353GT	INNERFRAME,MACHINED-GL12	2
22	11890GT	GLIDE BUTTON,SIDE,GLL,.100 TK	10
		GL-8, GL-10, GL-12	
23	8514GT	SCREW,FHS,1/4-20 X .75	
24	38510GT	NUT,WELD 'TP',1/4-20,ZINC	
25	35301GT	CASTING,INNER FRAME	1
		GL-8, GL-10, GL-12	
26	37263GT	PULLEY,GL	2
		GL-4	
26A	37263GT	PULLEY,GL	3
		GL-8, GL-10, GL-12	
27	6888GT	SCREW,HHC,1/4-20 X 1	
28	6638GT	WASHER,FLAT,USS,1/4"Y	
29	6091GT	NUT,NYLOCK,1/4-20	
30	124907GT	KIT,GL LATCH	1
		includes item 33	
31	6-5205-16GT	SCREW,HHC,5/16-18 X 2.00,GR8	
32	6782GT	NUT,NYLOCK,5/16-18	
33	124902GT	HOOK,CARRIAGE LATCH,GL	2
34	124984GT	SPRING,TORSION,45 DEGREE	1
35	35732GT	SPACER,TUBE,1/4 X 3/8 **	1
36	109949GT	ROLLER,LATCH RELEASE	1
37	8915GT	SCREW,HHC,1/4-20 X 1.25	
38	227873GT	BEARING,FL,.380IDX.506ODX.360L	2

Go to Discount-Equipment.com to order your parts



304.1 Battery Pack Installation - Models with Electric Winch

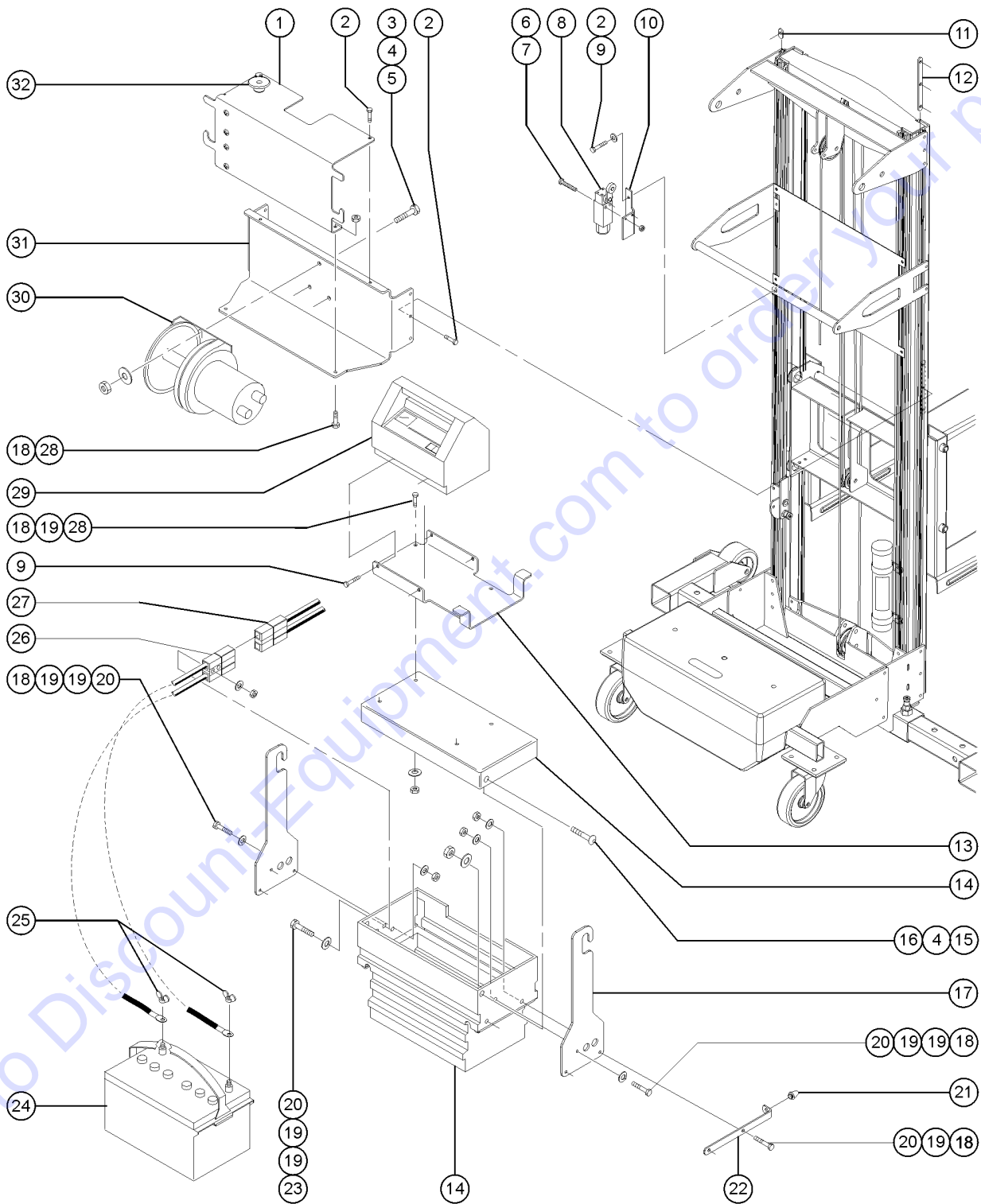


304.1 Battery Pack Installation - Models with Electric Winch

Item	Part No.	Description	Qty.
1	85349GT	CONTROL PANEL ASSY (GL)	1
2	7339GT	SCREW,HHC,1/4-20 X .5	
3	6175GT	SCREW,HHC,3/8-16 X 1	
4	6097GT	WASHER,FLAT,USS,3/8",Y	
5	4828GT	NUT,NYLOCK,3/8-16	
6	51063GT	SCREW,PHILLIPS,RHM,10-32 X 1.5	
7	6178GT	NUT,NYLOCK,10-32	
8	96948GT	SWITCH,LIMIT,W/ROLLER ARM***	1
8-	27643GT	ROLLER ARM-LIMIT SWITCH	1
8-	19491GT	CONTACTOR,LIMIT SWITCH	1
9	6356GT	WASHER,LOCK,.25	
10	41191GT	BRACKET,LIMIT SWITCH MOUNT	1
11	35991GT	NUT,WELD 1/4-20, PLATED L.L. **	
12	44405GT	NUT,WELD,TRI,1/4-20,1.5",PLTD	4
13	43245GT	BRACKET,CHARGER MOUNT (Domestic models)	1
14	44366GT	BATT BOX,MOLDED,DRILLED, GL (Domestic models)	1
14A	38215GT	BATT.BOX, ASSY W/ DECALS (Worldwide models)	1
15	28487GT	SCREW,BHHS,3/8-16 X 1	
16	7713GT	NUT,LP NYLOCK,3/8-16	
17	33245GT	PLATE,BATTERY BOX HOOK	2
18	6090GT	SCREW,HHC,1/4-20 X .75	
19	6638GT	WASHER,FLAT,USS,1/4"Y	
20	6889GT	NUT,LP NYLOCK,1/4-20	
21	29849GT	BUMPER,RUBBER,1"TALL X 3/8DIA	1
22	57171GT	FORMING, BATTERY BUMPER	1
23	6145GT	SCREW,HHC,1/4-20 X 1.5	
24	57159GT	BATTERY,12V GRP 27,105 AH, DRY	1
25	69229GT	NUT,WING 5/16-18 (refer to specific unit)	



304.1 Battery Pack Installation - Models with Electric Winch

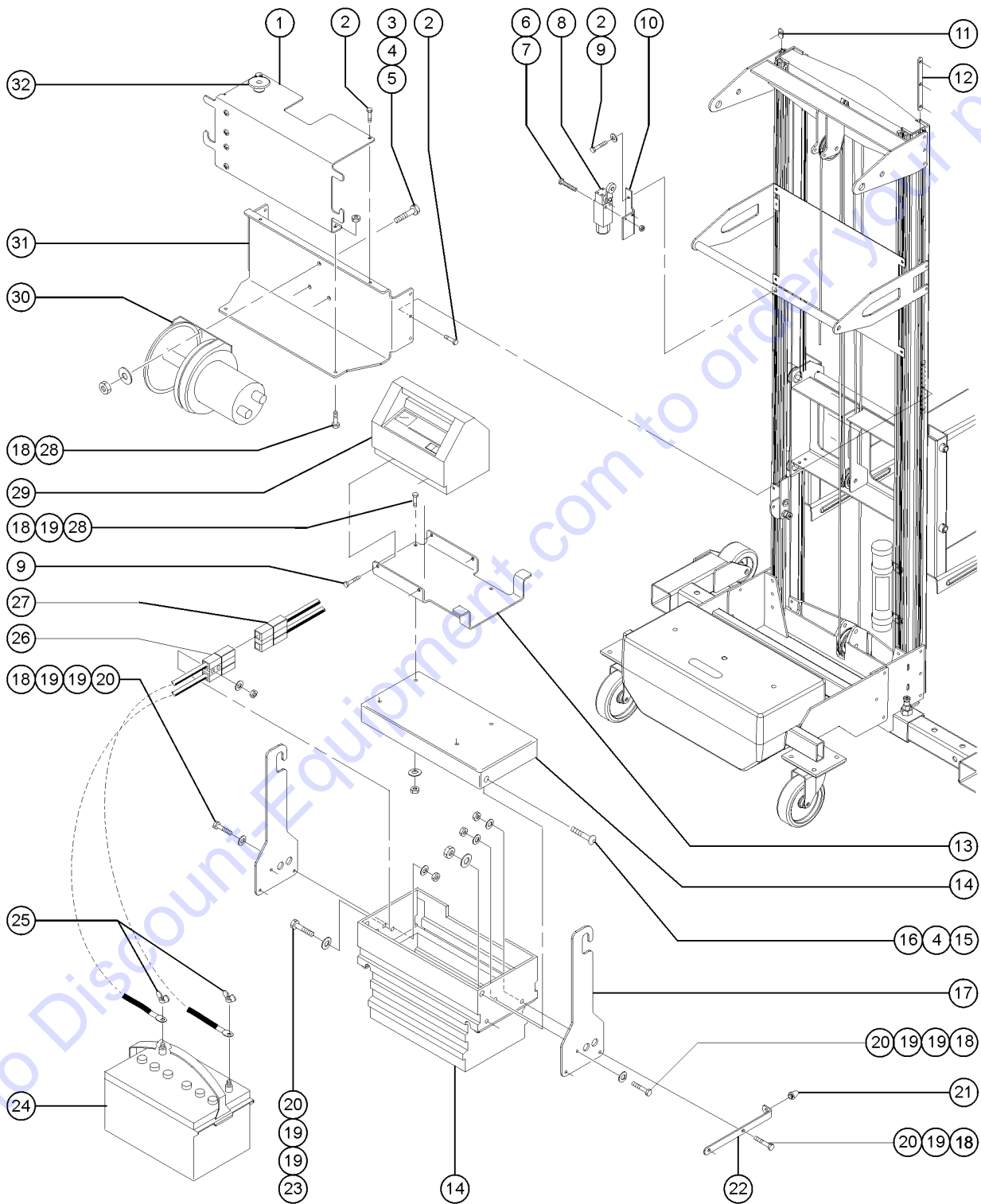


304.1 Battery Pack Installation - Models with Electric Winch

Item	Part No.	Description	Qty.
25A	69230GT	NUT,WING,3/8-16 (refer to specific unit)	
26	69228GT	CABLE ASSY,BAT PACK/RING-TERM (battery pack side)	1
26-	66397GT	QUICK DISCONNECT CASING,BATT**	1
26-	13082GT	WELDING CABLE,#4 EXCELENE/BLK.	8
26-	31318GT	WELDING CABLE,#4 EXCELENE/RED	17
26-	96110GT	BOOT, CABLE, TERMINAL COVER	
26-	45427GT	TERMINAL,3/8 RING,#4 CABLE	
26A	85287GT	PWR CABLE ASSY-SOLENOID GL*** (Worldwide models)	1
26A-	66397GT	QUICK DISCONNECT CASING,BATT**	
26A-	13085GT	TERMINAL,5/16 RING 4 GA NI	
26A-	13082GT	WELDING CABLE,#4 EXCELENE/BLK.	48
27	85287GT	PWR CABLE ASSY-SOLENOID GL*** (Domestic models)	1
27-	31318GT	WELDING CABLE,#4 EXCELENE/RED	24
27-	13082GT	WELDING CABLE,#4 EXCELENE/BLK.	24
27-	45427GT	TERMINAL,3/8 RING,#4 CABLE	
27-	66397GT	QUICK DISCONNECT CASING,BATT**	
28	6091GT	NUT,NYLOCK,1/4-20	
29		Ref. Battery Charger - 12V DC (refer to 305.1, 306.1 and 306.2)	
29-	80889GT	KIT,CHARGER,AWP/IWP*** (Signet) (cord must be ordered separately; see item 33 below)	
30		Ref. Winch - Electric (refer to 308.1)	
31	85384GT	BRACKET ASSY.-WINCH MOUNT(GL) (to SN GL03-30504)	1
32		Ref. Red Emergency Stop Button with Base (refer to 309.1)	1
33A	55021GT	POWER CORD,US 110, 8" US models (for 80889)	
33B	71706GT	POWER CORD, UK 110, 115" UK 110V (for 80889)	
33C	55018GT	POWER CORD,UK-HIGH VOLTAGE, 8" UK/AUS 220V (for 80889)	
33D	55019GT	POWER CORD,NOVON, 8" EURO 220V (for 80889)	



304.2 Battery Pack Installation - Models with Electric Winch

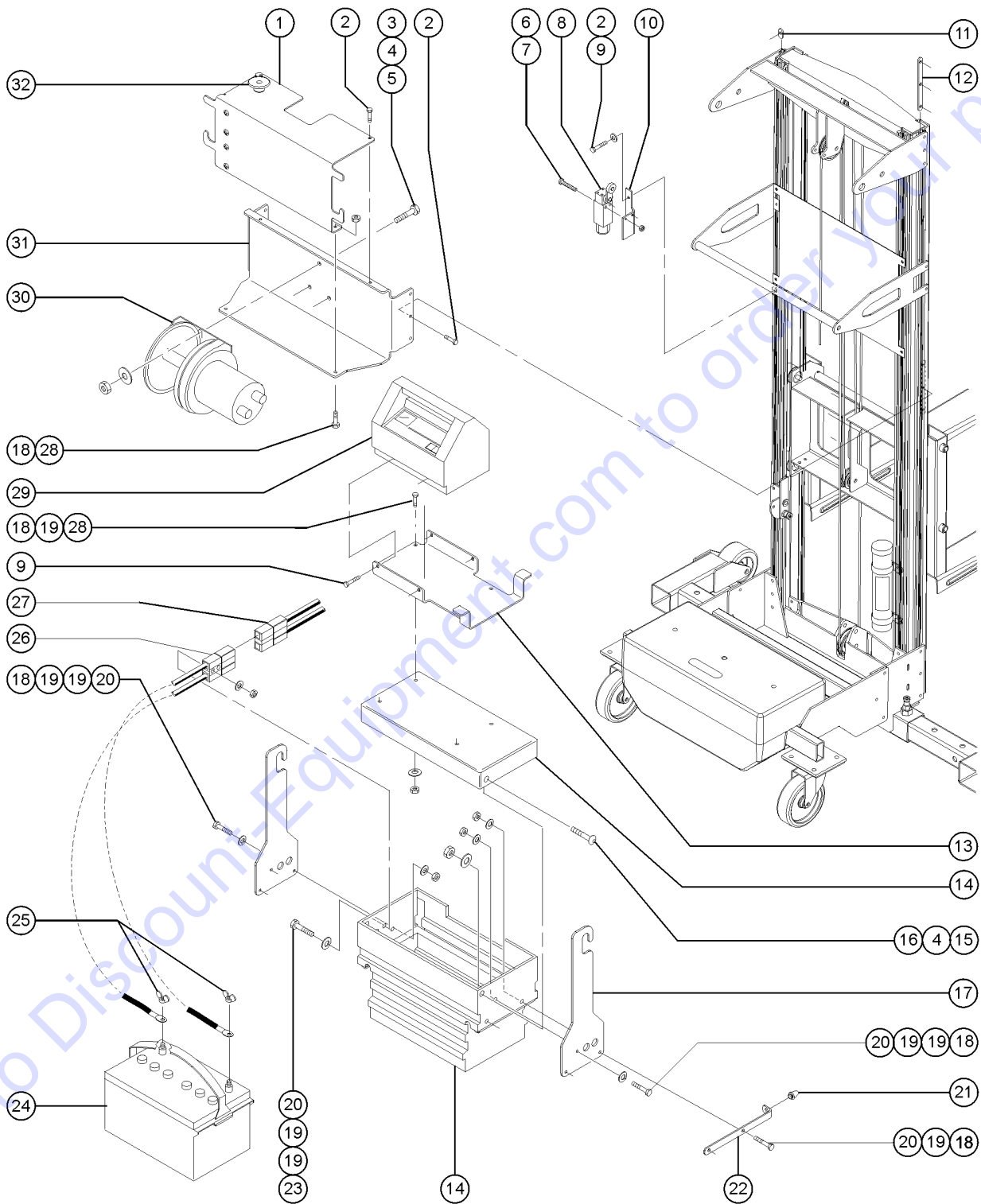


304.2 Battery Pack Installation - Models with Electric Winch

Item	Part No.	Description	Qty.
1	85349GT	CONTROL PANEL ASSY (GL)	1
2	7339GT	SCREW,HHC,1/4-20 X .5	
3	6175GT	SCREW,HHC,3/8-16 X 1	
4	6097GT	WASHER,FLAT,USS,3/8",Y	
5	4828GT	NUT,NYLOCK,3/8-16	
6	51063GT	SCREW,PHILLIPS,RHM,10-32 X 1.5	
7	6178GT	NUT,NYLOCK,10-32	
8	96948GT	SWITCH,LIMIT,W/ROLLER ARM***	1
8-	27643GT	ROLLER ARM-LIMIT SWITCH	1
8-	19491GT	CONTACTOR,LIMIT SWITCH	1
9	6356GT	WASHER,LOCK,.25	
10	41191GT	BRACKET,LIMIT SWITCH MOUNT	1
11	35991GT	NUT,WELD 1/4-20, PLATED L.L. **	
12	44405GT	NUT,WELD,TRI,1/4-20,1.5",PLTD	
13	43245GT	BRACKET,CHARGER MOUNT	1
		(Domestic models)	
14	44366GT	BATT BOX,MOLDED,DRILLED, GL	1
		(Domestic models)	
14A	38215GT	BATT.BOX, ASSY W/ DECALS	1
		(Worldwide models)	
15	28487GT	SCREW,BHHS,3/8-16 X 1	
16	7713GT	NUT,LP NYLOCK,3/8-16	
17	33245GT	PLATE,BATTERY BOX HOOK	2
18	6090GT	SCREW,HHC,1/4-20 X .75	
19	6638GT	WASHER,FLAT,USS,1/4"Y	
20	6889GT	NUT,LP NYLOCK,1/4-20	
21	29849GT	BUMPER,RUBBER,1"TALL X 3/8DIA	1
22	57171GT	FORMING, BATTERY BUMPER	1
23	6145GT	SCREW,HHC,1/4-20 X 1.5	
24	57159GT	BATTERY,12V GRP 27,105 AH, DRY	1
25	69229GT	NUT,WING 5/16-18	
		(refer to specific unit)	



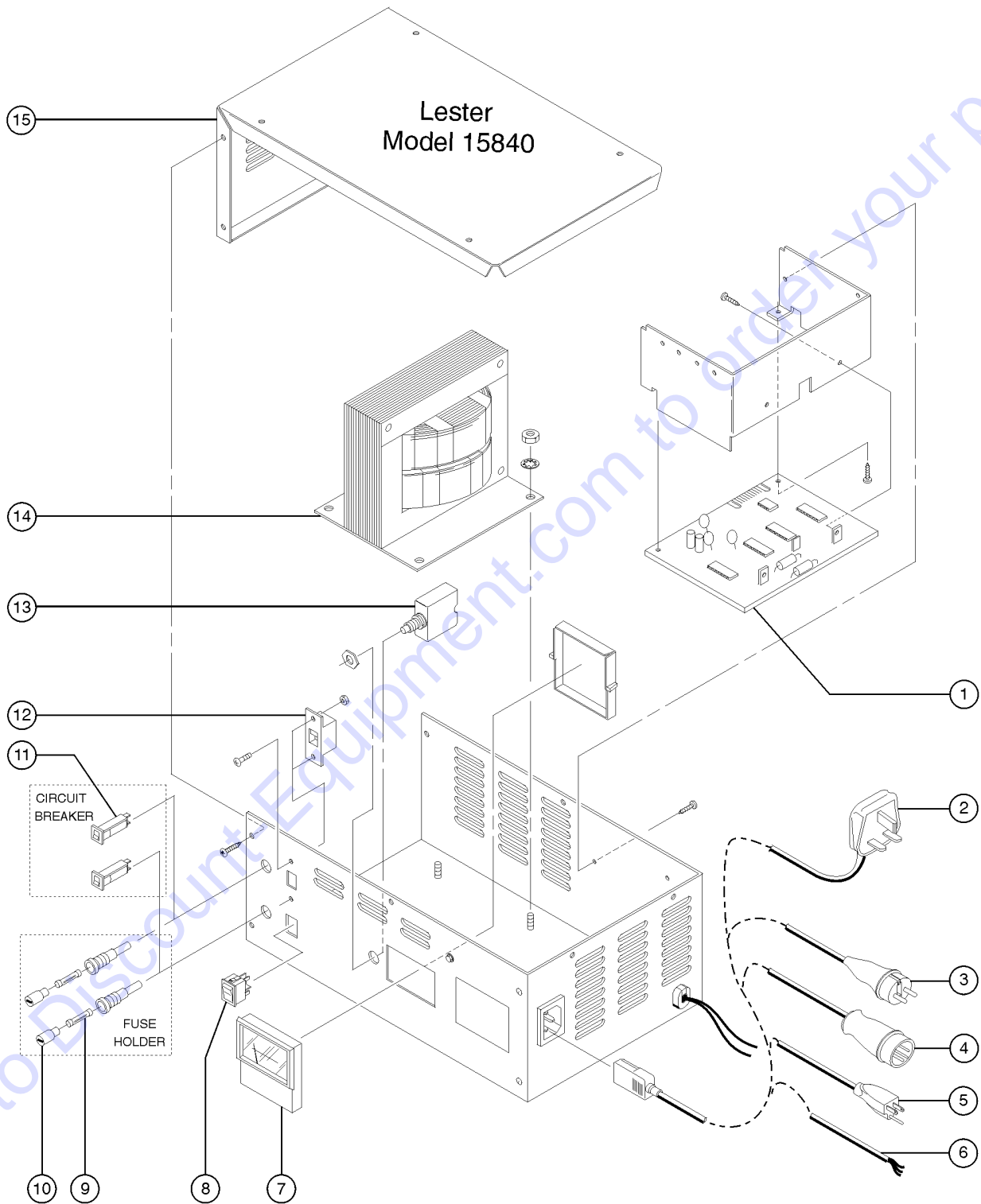
304.2 Battery Pack Installation - Models with Electric Winch



304.2 Battery Pack Installation - Models with Electric Winch

Item	Part No.	Description	Qty.
25A	69230GT	NUT,WING,3/8-16 (refer to specific unit)	
26	69228GT	CABLE ASSY,BAT PACK/RING-TERM	1
26-	66397GT	QUICK DISCONNECT CASING,BATT** (battery pack side)	1
26-	13082GT	WELDING CABLE,#4 EXCELENE/BLK.	8
26-	31318GT	WELDING CABLE,#4 EXCELENE/RED	17
26-	96110GT	BOOT, CABLE, TERMINAL COVER	
26-	45427GT	TERMINAL,3/8 RING,#4 CABLE	
26A	85287GT	PWR CABLE ASSY-SOLENOID GL*** (Worldwide models)	1
26A-	66397GT	QUICK DISCONNECT CASING,BATT**	
26A-	13085GT	TERMINAL,5/16 RING 4 GA NI	
26A-	13082GT	WELDING CABLE,#4 EXCELENE/BLK.	48
27	85287GT	PWR CABLE ASSY-SOLENOID GL*** (Domestic models)	1
27-	31318GT	WELDING CABLE,#4 EXCELENE/RED	24
27-	13082GT	WELDING CABLE,#4 EXCELENE/BLK.	24
27-	45427GT	TERMINAL,3/8 RING,#4 CABLE	
27-	66397GT	QUICK DISCONNECT CASING,BATT**	
28	6091GT	NUT,NYLOCK,1/4-20	
29		Ref. Battery Charger - 12V DC (refer to 305.1, 306.1 and 306.2)	
29-	80889GT	KIT,CHARGER,AWP/IWP*** (Signet) (cord must be ordered separately; see 3D below)	
30		Ref. Winch - Electric (refer to 308.1)	
31	85384GT	BRACKET ASSY.-WINCH MOUNT(GL) (to SN GL03-30504)	1
31A	85383GT	BRACKET ASSY-WINCH MOUNT (GL) (from SN GL03- 30505)	1
32		Ref. Red Emergency Stop Button with Base (refer to 309.1)	1
33A	55021GT	POWER CORD,US 110, 8" US models (for 80889) (8 inches)	
33B	71706GT	POWER CORD, UK 110, 115" UK 110V (for 80889) (115 inches)	
33C	55018GT	POWER CORD,UK-HIGH VOLTAGE, 8" UK/AUS 220V (for 80889) (8 inches)	
33D	55019GT	POWER CORD,NOVON, 8" EURO 220V (for 80889) (8 inches)	

305.1 Battery Charger, Worldwide - Lester



PARTS FINDER

**Search Website
by Part Number**



**Search Manual
Library For Parts
Manual & Lookup Part
Numbers – Purchase
or Request Quote**

Search Manuals

Enter your information to help us find the right parts manual for your machine.

* Brand:

* Model:

* Serial:

* Part Number:

SEARCH

**Can't Find Part or
Manual? Request Help
by Manufacturer,
Model & Description**

Parts Order Form

Please fill in the following information to help us find the right part for your machine.

Manufacturer:	<input type="text"/>
Model:	<input type="text"/>
Description:	<input type="text"/>
Part Number:	<input type="text"/>
Quantity:	<input type="text"/>
Notes:	<input type="text"/>

Submit

Discount-Equipment.com is your online resource for quality parts & equipment.

Florida: **561-964-4949** Outside Florida TOLL FREE: **877-690-3101**

Need parts?

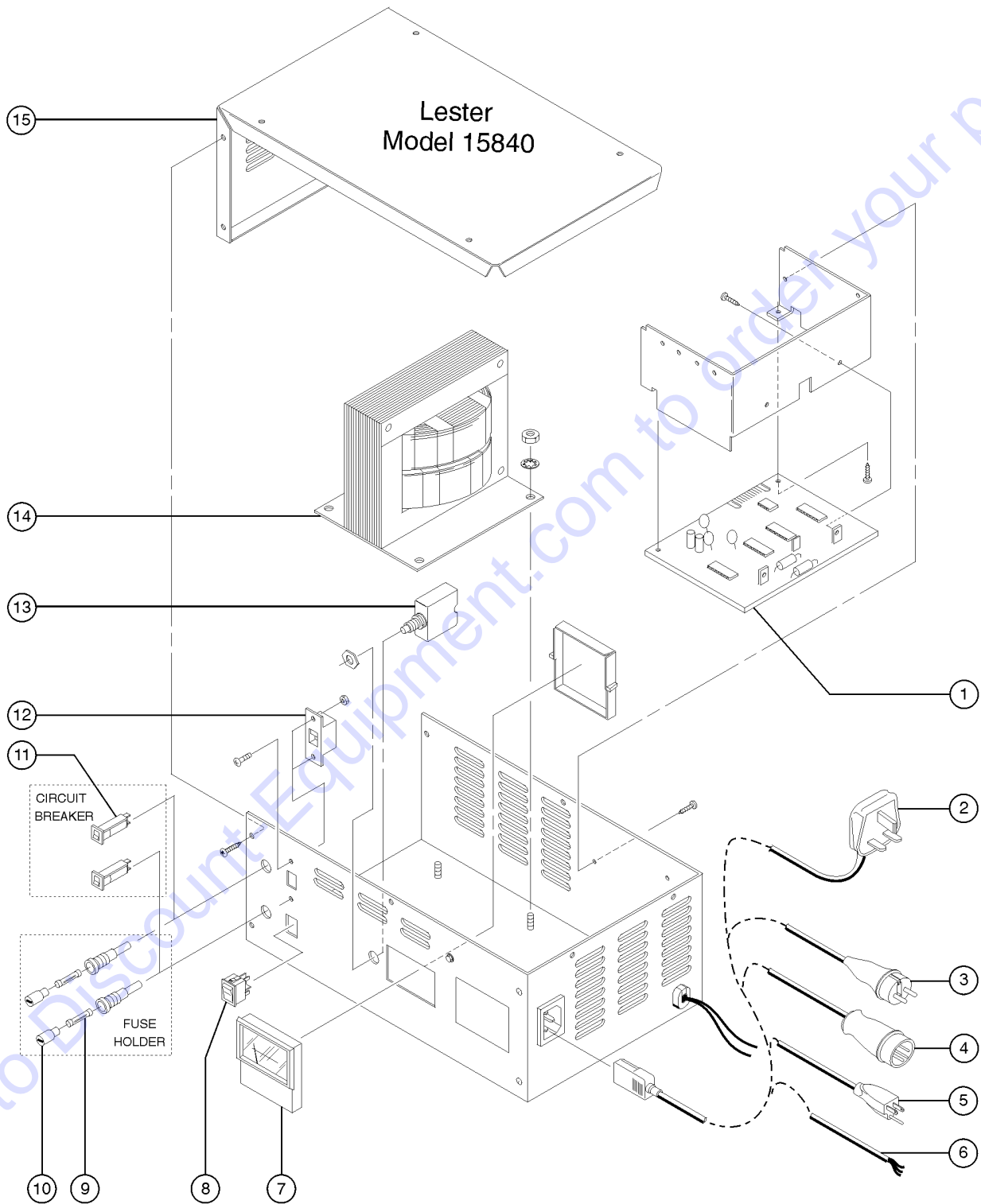
Click on this link: <http://www.discount-equipment.com/category/5443-parts/> and choose one of the options to help get the right parts and equipment you are looking for. Please have the machine model and serial number available in order to help us get you the correct parts. If you don't find the part on the website or on one of the online manuals, please fill out the request form and one of our experienced staff members will get back to you with a quote for the right part that your machine needs.

We sell worldwide for the brands: Genie, Terex, JLG, MultiQuip, Mikasa, Essick, Whiteman, Mayco, Toro Stone, Diamond Products, Generac Magnum, Airman, Haulotte, Barreto, Power Blanket, Nifty Lift, Atlas Copco, Chicago Pneumatic, Allmand, Miller Curber, Skyjack, Lull, Skytrak, Tsurumi, Husquvarna Target, Stow, Wacker, Sakai, Mi-T-M, Sullair, Basic, Dynapac, MBW, Weber, Bartell, Bennar Newman, Haulotte, Ditch Runner, Menegotti, Morrison, Contec, Buddy, Crown, Edco, Wyco, Bomag, Laymor, EZ Trench, Bil-Jax, F.S. Curtis, Gehl Pavers, Heli, Honda, ICS/PowerGrit, IHI, Partner, Imer, Clipper, MMD, Koshin, Rice, CH&E, General Equipment, Amida, Coleman, NAC, Gradall, Square Shooter, Kent, Stanley, Tamco, Toku, Hatz, Kohler, Robin, Wisconsin, Northrock, Oztec, Toker TK, Rol-Air, APT, Wylie, Ingersoll Rand / Doosan, Innovatech, Con X, Ammann, Mecalac, Makinex, Smith Surface Prep, Small Line, Wanco, Yanmar

Item	Part No.	Description	Qty.
1	38165GT	TIMER, ELECTRONIC	1
1-		FUSE, 13 AMP, 220V PLUG (component no longer available) refer to BS1362 BUSS TDC180-13A	1
2	55018GT	POWER CORD, UK-HIGH VOLTAGE, 8" (to SN GL04-37778)	1
3	55019GT	POWER CORD, NOVON, 8" (to SN GL04-37778)	1
4	38649-SGT	AWP PWR CRD, CHRGR, UK 110/50	1
5	38648-SGT	AWP PWR CRD, CHRGR, 110/50-60	1
6	38658GT	POWR CORD, CHARGR, FEM. PIGTAIL	1
7	38166GT	AMMETER, 12 AMP	1
8	38174GT	SWITCH-POWER, CHARGER, DP/DT	1
9	33551GT	FUSE, 3 AMP (for models produced before 12/1/98)	2
10	24036GT	FUSE HOLDER, CHARGER (for models produced before 12/1/98)	2
11	69231GT	CIRCUIT BREAKER, 2AMP, WW (for models produced after 11/30/98)	2
12	38173GT	SWITCH, VOLTAGE	1
13	38175GT	CIRCUIT BREAKER-LESTER CHARGER (includes mounting fastener)	1
14	38172GT	TRANSFORMER, CHARGER (31188)	1
15	41218GT	COVER, CHARGER #38581	1

Go to Discount-Equipment.com to order your parts

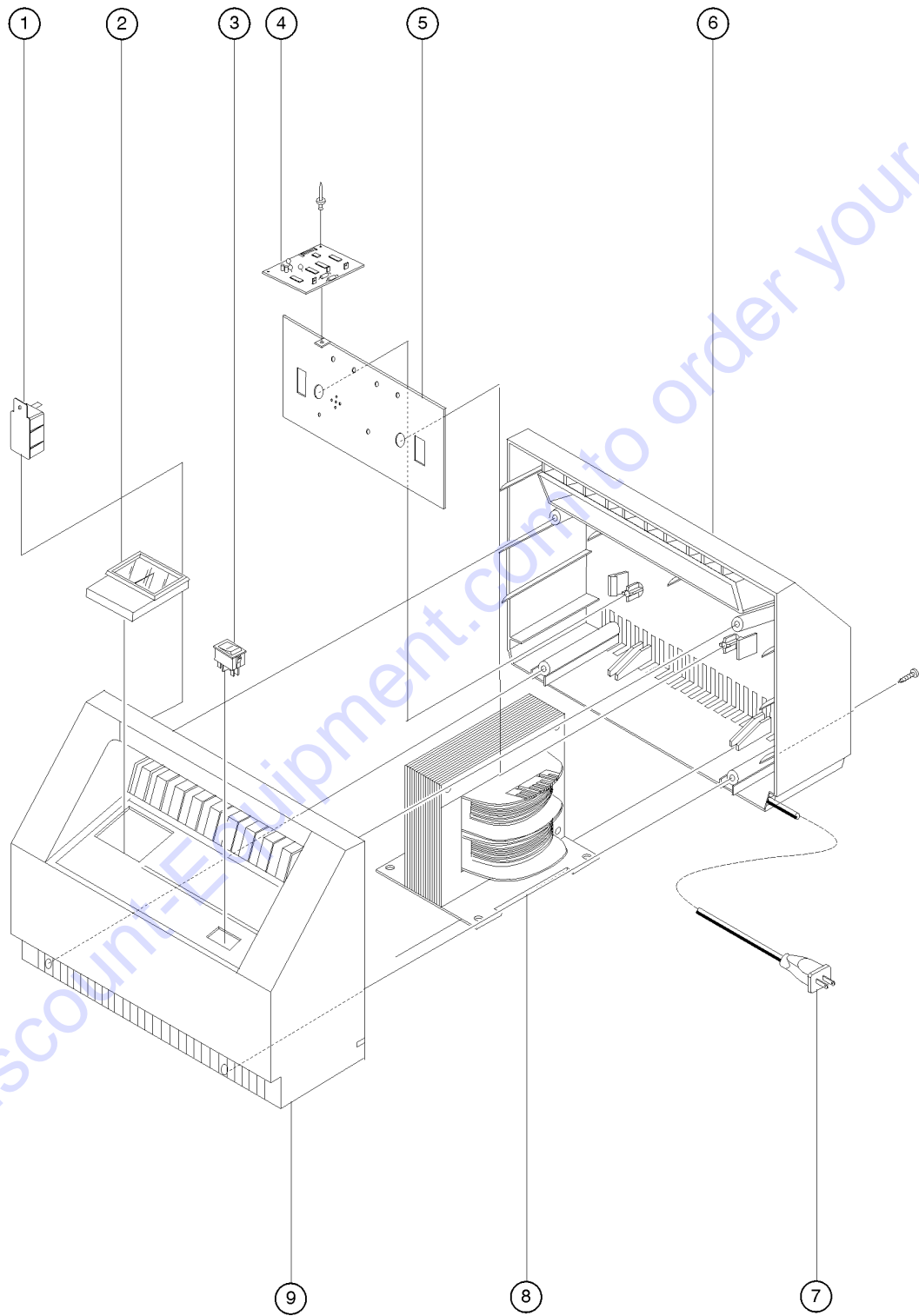
305.2 Battery Charger, Worldwide - Lester



Item	Part No.	Description	Qty.
1	38165GT	TIMER, ELECTRONIC	1
1-		FUSE, 13 AMP, 220V PLUG (component no longer available) refer to BS1362 BUSS TDC180-13A	1
2	55018GT	POWER CORD, UK-HIGH VOLTAGE, 8"	1
		(to SN GL04-37778)	
2A	100193GT	POWER CORD, UK-HIGH VOLTAGE, 98"	
		(from SN GL04- 37779)	
3	55019GT	POWER CORD, NOVON, 8"	1
		(to SN GL04-37778)	
3A	100194GT	POWER CORD, NOVON, 98"	
		(from SN GL04- 37779)	
4	38649-SGT	AWP PWR CRD, CHRGR, UK 110/50	1
5	38648-SGT	AWP PWR CRD, CHRGR, 110/50-60	1
6	38658GT	POWR CORD, CHARGR, FEM. PIGTAIL	1
7	38166GT	AMMETER, 12 AMP	1
8	38174GT	SWITCH-POWER, CHARGER, DP/DT	1
9	33551GT	FUSE, 3 AMP (for models produced before 12/1/98)	2
10	24036GT	FUSE HOLDER, CHARGER (for models produced before 12/1/98)	2
11	69231GT	CIRCUIT BREAKER, 2AMP, WW (for models produced after 11/30/98)	2
12	38173GT	SWITCH, VOLTAGE	1
13	38175GT	CIRCUIT BREAKER-LESTER CHARGER	1
		(includes mounting fastener)	
14	38172GT	TRANSFORMER, CHARGER (31188)	1
15	41218GT	COVER, CHARGER #38581	1

Go to Discount-Equipment.com to order your parts

306.1 Battery Charger, Domestic



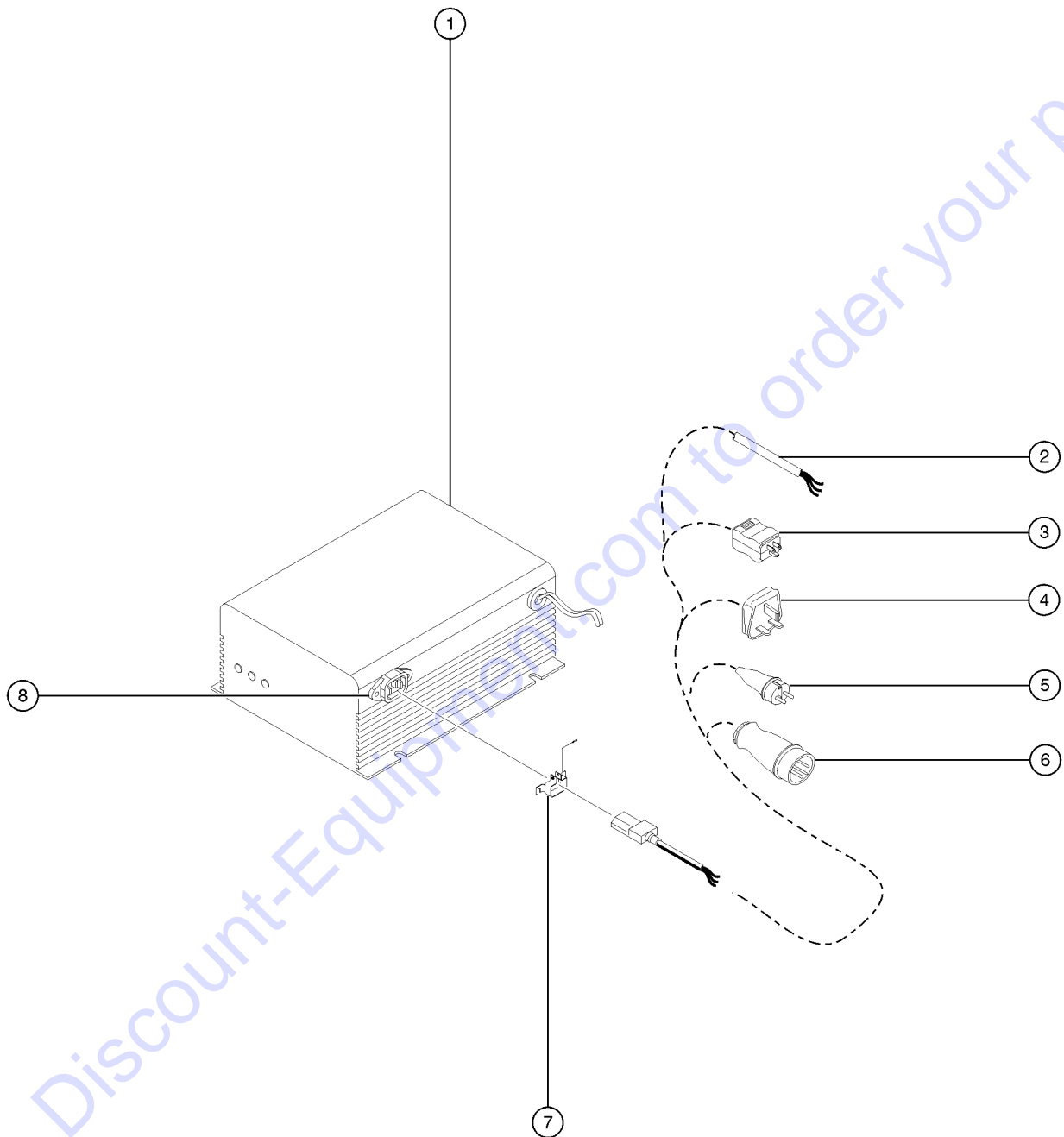
Go to Discount-Equipment.com to order your parts

Item	Part No.	Description	Qty.
	43323GT	CHARGER, SCHUMACHER	
1	85188GT	CIRCUIT BREAKER,20A	1
2	85189GT	AMMETER,12A (43323 CHARGER)%%%	1
3	85190GT	SWITCH,ON-ON SPDT	1
4	85191GT	CONTROL BOARD	1
5	85192GT	FACE PLATE	1
6	85193GT	CASE PLASTIC,REAR HALF	1
7	85194GT	POWER CORD-CHARGER-SCHUMACHER	1
8	85195GT	TRANSFORMER	1
9	85196GT	CASE PLASTIC-FRONT HALF	1

Go to Discount-Equipment.com to order your parts



306.2 Battery Charger, Domestic and Worldwide



Go to Discount-Equipment.com to order your parts

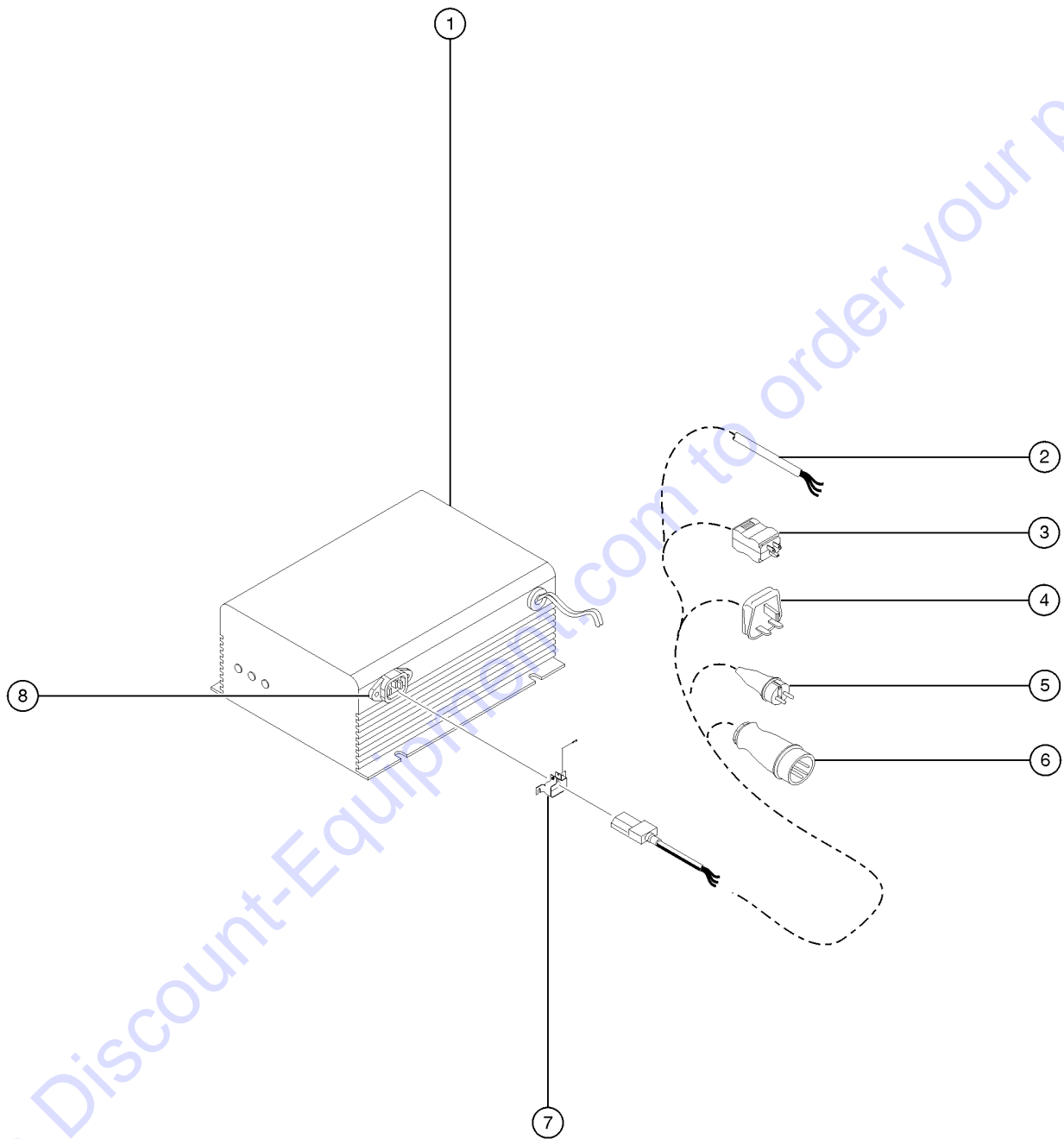
306.2 Battery Charger, Domestic and Worldwide

Item	Part No.	Description	Qty.
-	85460GT	MANUAL, SIGNET CHARGER - 80990	
1	80990GT	CHARGER, 12VDC HI/LO, AWP/IWP	1
1-	97059GT	FUSE, BATTERY CHARGER***	1
2	48282GT	POWER CORD, IEC 320 BLANK, 79"	1
3	55021GT	POWER CORD, US 110, 8" (to SN GL04- 37778)	1
4	55018GT	POWER CORD, UK-HIGH VOLTAGE, 8" (to SN GL04- 37778)	1
5	55019GT	POWER CORD, NOVON, 8" (to SN GL04- 37778)	1
6	71706GT	POWER CORD, UK 110, 115" (includes item 2)	1
6-	144161GT	PLUG, PWR, UK, 16AMP, 3PIN, BLK	1
7	55010GT	LOCK, CONNECTOR	1
8	46440GT	CONNECTOR, IEC 320 INLET	1
8-	46441GT	PIN, CONNECTOR, IEC320	1

Go to Discount-Equipment.com to order your parts



306.3 Battery Charger, Domestic and Worldwide



Go to Discount-Equipment.com to order your parts

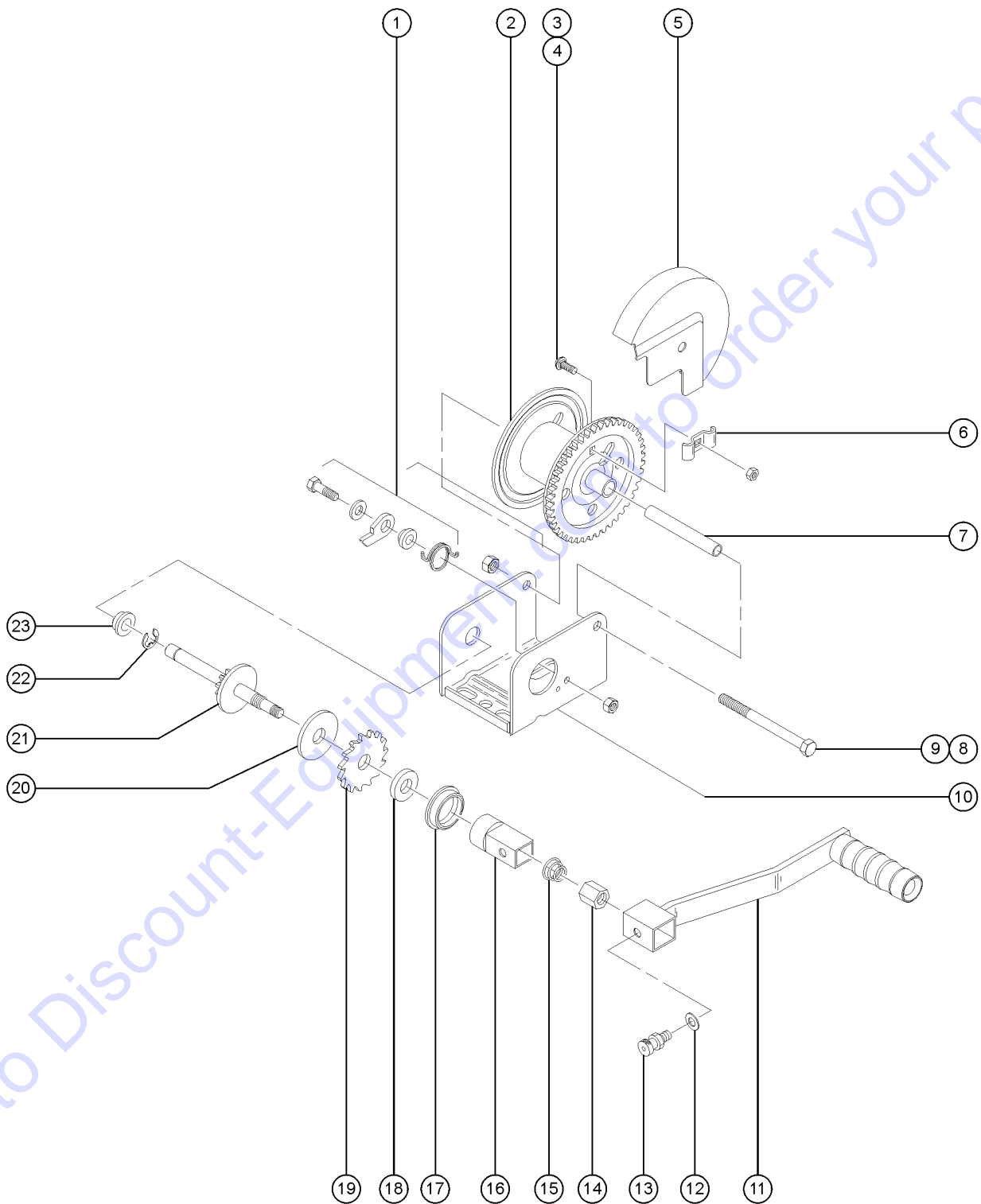
306.3 Battery Charger, Domestic and Worldwide

Item	Part No.	Description	Qty.
-	85460GT	MANUAL, SIGNET CHARGER - 80990	
1	80990GT	CHARGER, 12VDC HI/LO, AWP/IWP	1
1-	97059GT	FUSE, BATTERY CHARGER***	1
2	48282GT	POWER CORD, IEC 320 BLANK, 79"	1
3	55021GT	POWER CORD, US 110, 8" (to SN GL04- 37778) (8 inches)	1
3A	100195GT	POWER CORD, US 110, 79" (from SN GL04- 37779) (79 inches)	
4	55018GT	POWER CORD, UK-HIGH VOLTAGE, 8" (to SN GL04- 37778) (8 inches)	1
4A	100193GT	POWER CORD, UK-HIGH VOLTAGE, 98" (from SN GL04- 37779) (98 inches)	
5	55019GT	POWER CORD, NOVON, 8" (to SN GL04- 37778) (8 inches)	1
5A	100194GT	POWER CORD, NOVON, 98" (from SN GL04- 37779) (98 inches)	
6	71706GT	POWER CORD, UK 110, 115" (includes item 2) (115 inches)	1
6-	144161GT	PLUG, PWR, UK, 16AMP, 3PIN, BLK	1
7	55010GT	LOCK, CONNECTOR	1
8	46440GT	CONNECTOR, IEC 320 INLET	1
8-	46441GT	PIN, CONNECTOR, IEC320	1

Go to Discount-Equipment.com to order your parts



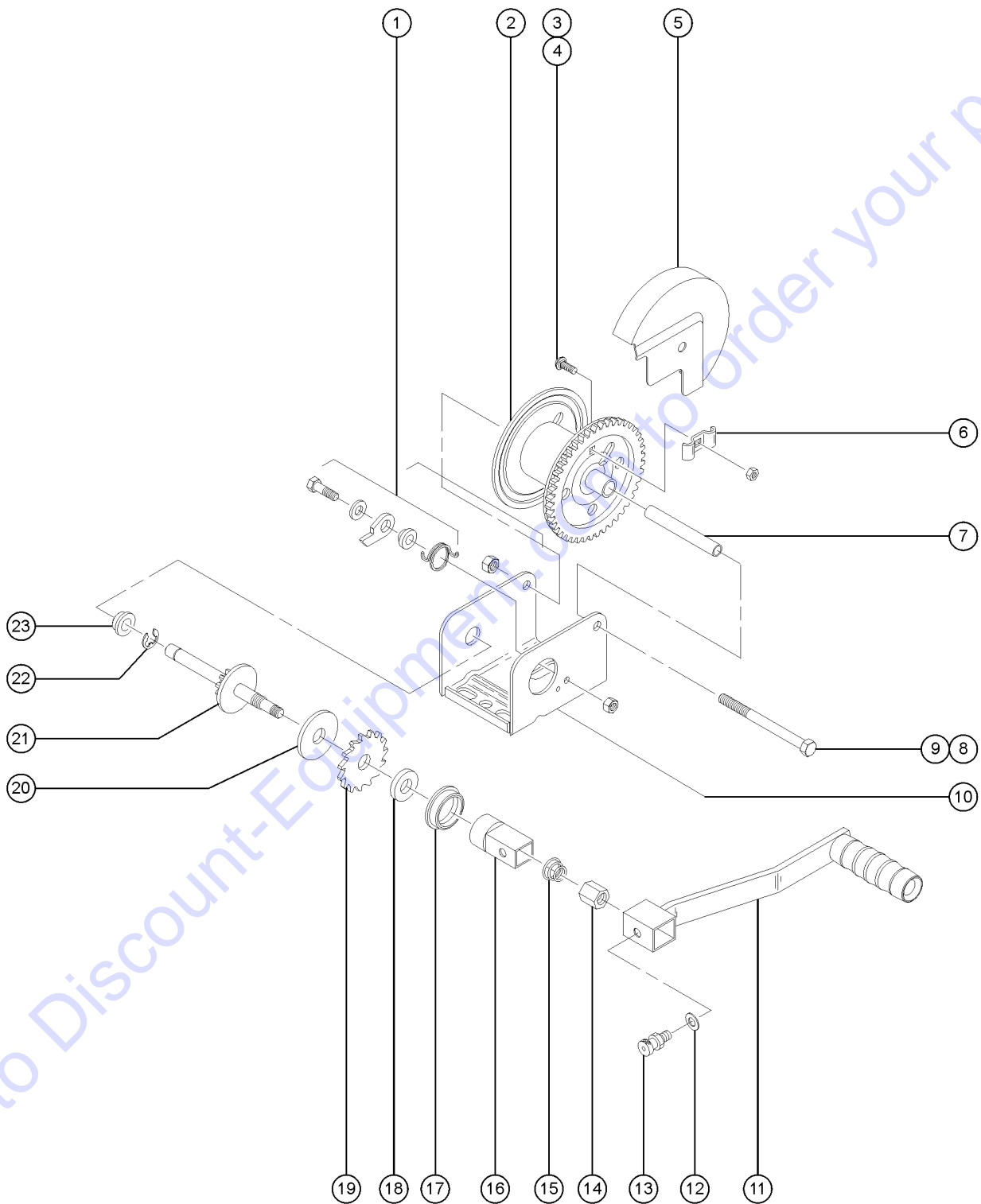
307.1 Manual Winch Assembly, Standard



Go to Discount-Equipment.com to order your parts

Item	Part No.	Description	Qty.
	37149GT	WINCH ASSY (DLB800)*** complete; includes the handle and fasteners	1
	37023GT	WINCH,GENIE LIFT (DLB800) does not include the handle	1
1	37068GT	RATCHET KIT,DLB800 (includes mounting fasteners)	1
2		CABLE DRUM-DLB800 (85187) (component no longer available)	1
3	6878GT	BOLT,CARRIAGE,1/4-20 X .75,G2	1
4	6357GT	NUT,HEX,1/4-20	1
5	37066GT	COVER,GEAR,DLB800	1
6	37065GT	CABLE KEEPER, DLB800	1
7	37067GT	SPACER,DRUM BOLT,DLB800	1
8	12981GT	SCREW,HHC,3/8-16 X 4.5	1
9	12012GT	NUT,LOCK,3/8-16	1
10	85186GT	WINCH FRAME-DLB800 (to SN 1300-16095)	1
11	37151GT	WINCH HANDLE ASSY. (includes index numbers 12 and 13)	1
11-	1257748GT	ASSEMBLY,WINCH HANDLE, GL/LL (replaced 37255)	1
12	124781GT	WASHER,FLAT,0.625X.875X.031 (replaced 43851)	1
13	6825GT	PIN,OUTRIGGER LOCK	1
14	85060GT	NUT,HANDLE ADAPTER 1/2-20 (fine)	1
14	226888GT	NUT,RETAINER,1/2-13 (37059) 1/2-13 (coarse)	1
15	37060GT	SPRING, WINCH HANDLE	1
16	37069GT	HANDLE ADAPTER WELDMENT	1
17	37064GT	BUSHING,PINION SHAFT,DLB800* (to SN 1300-16095)	1
18	37063GT	PINION PLATE, DLB800	1
19	37062GT	RATCHET GEAR, DLB800	1
20	37061GT	BRAKE FACE,DLB800	1
21	37059GT	PINION SHAFT,DLB800 (to SN 1300-16095)	1
22	37058GT	RETAINER RING,0.625	1
23	37057GT	BUSHING,PINION SHAFT,SM,DLB800	1

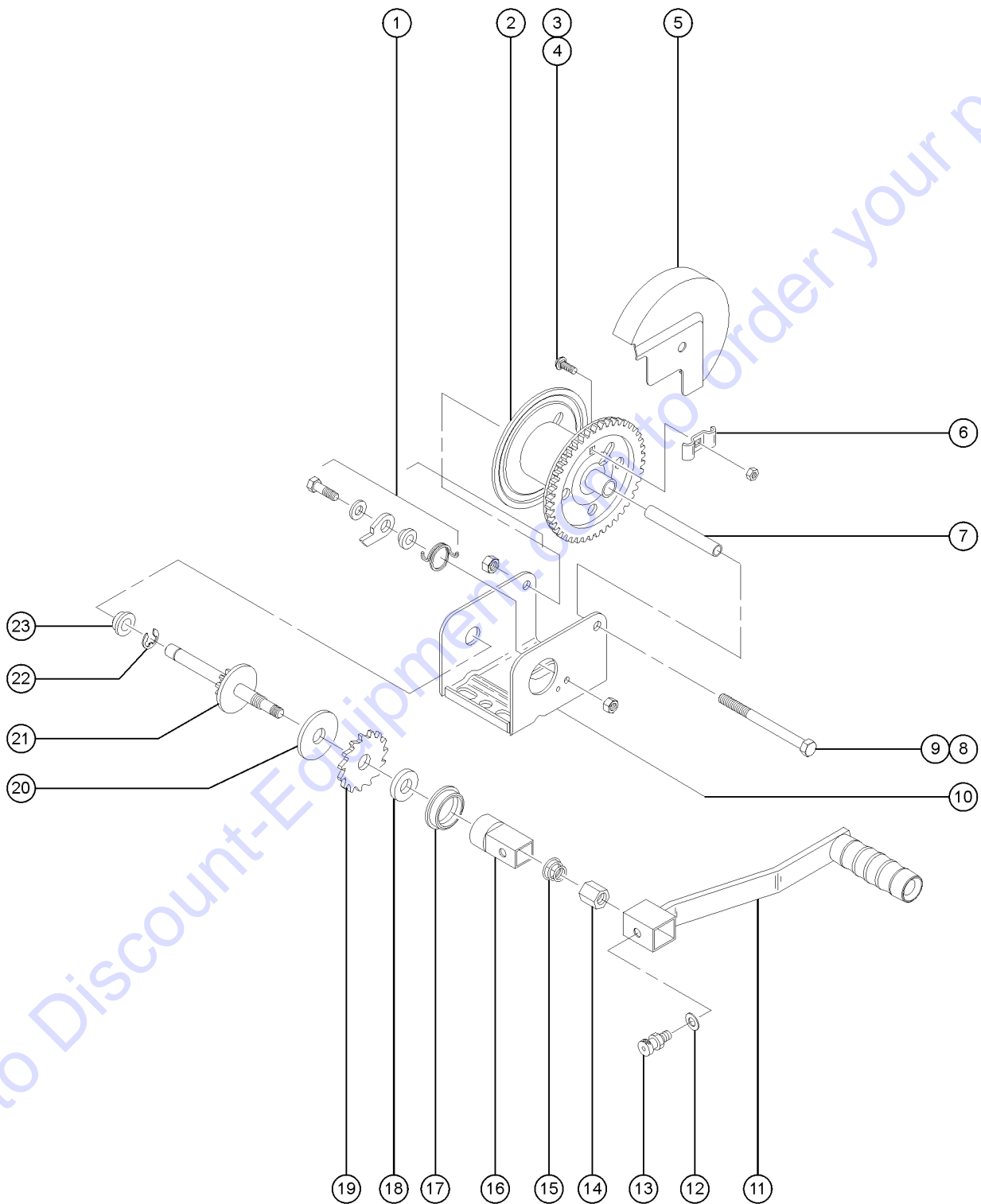
307.2 Manual Winch Assembly, Standard



Go to Discount-Equipment.com to order your parts

Item	Part No.	Description	Qty.
	37149GT	WINCH ASSY (DLB800)*** complete; includes handle and fasteners	
	37023GT	WINCH,GENIE LIFT (DLB800) does not include handle	1
1	37068GT	RATCHET KIT,DLB800 (includes mounting fasteners)	1
2	85187GT	CABLE DRUM-DLB800 (used to SN 1300-16095; no longer available from supplier)	1
2A	85183GT	CABLE DRUM-DLB800A** (from SN 1300-16096)	
3	6878GT	BOLT,CARRIAGE,1/4-20 X .75,G2	1
4	6357GT	NUT,HEX,1/4-20	
5	37066GT	COVER,GEAR,DLB800	1
6	37065GT	CABLE KEEPER, DLB800	1
7	37067GT	SPACER,DRUM BOLT,DLB800	1
8	12981GT	SCREW,HHC,3/8-16 X 4.5	
9	12012GT	NUT,LOCK,3/8-16	
10	85186GT	WINCH FRAME-DLB800 (to SN 1300-16095)	1
10A	85185GT	WINCH FRAME-DLB800A** (from SN 1300-16096)	
11	37151GT	WINCH HANDLE ASSY. (includes index numbers 12 and 13)	1
11-	1257748GT	ASSEMBLY,WINCH HANDLE, GL/LL (replaced 37255)	1
12	124781GT	WASHER,FLAT,0.625X.875X.031 (replaced 43851)	
13	6825GT	PIN,OUTRIGGER LOCK	1
14	85060GT	NUT,HANDLE ADAPTER 1/2-20 thread (fine)	
14	226888GT	NUT,RETAINER,1/2-13 (37059) 1/2-13 thread (coarse)	
15	37060GT	SPRING, WINCH HANDLE	1
16	37069GT	HANDLE ADAPTER WELDMENT	1
17	37064GT	BUSHING,PINION SHAFT,DLB800* (to SN 1300-16095)	1
17A	85182GT	SINTERED IRON BEARING,1-1/4** (from SN 1300-16096)	
18	37063GT	PINION PLATE, DLB800	1
19	37062GT	RATCHET GEAR, DLB800	1
20	37061GT	BRAKE FACE,DLB800	1
21	37059GT	PINION SHAFT,DLB800 (to SN 1300-16095) also order 85060	1

307.2 Manual Winch Assembly, Standard

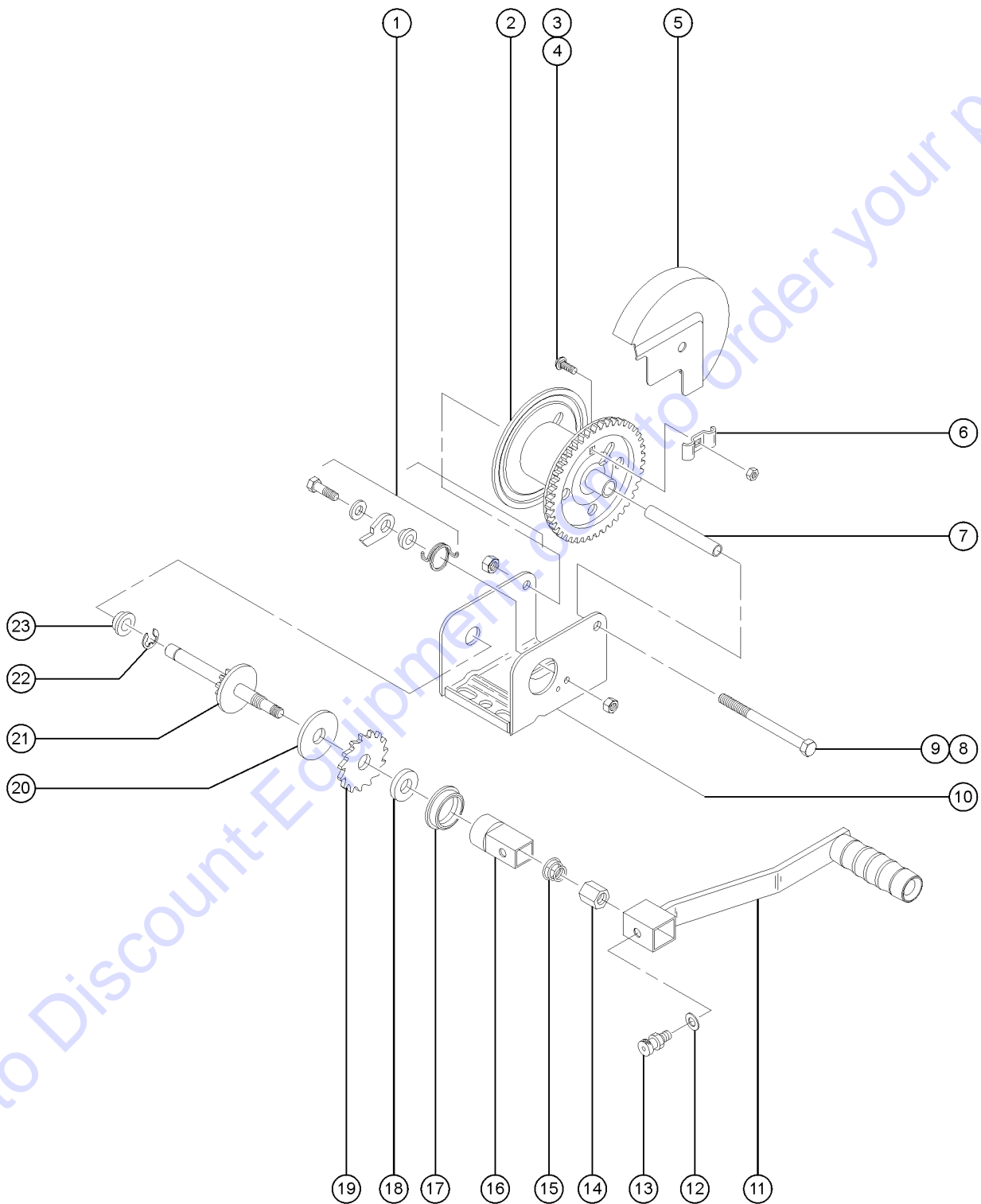


Go to Discount-Equipment.com to order your parts

Item	Part No.	Description	Qty.
21A	85184GT	PINION SHAFT-DLB800A* (from SN 1300-16096)	
22	37058GT	RETAINER RING,0.625	1
23	37057GT	BUSHING,PINION SHAFT,SM,DLB800	1

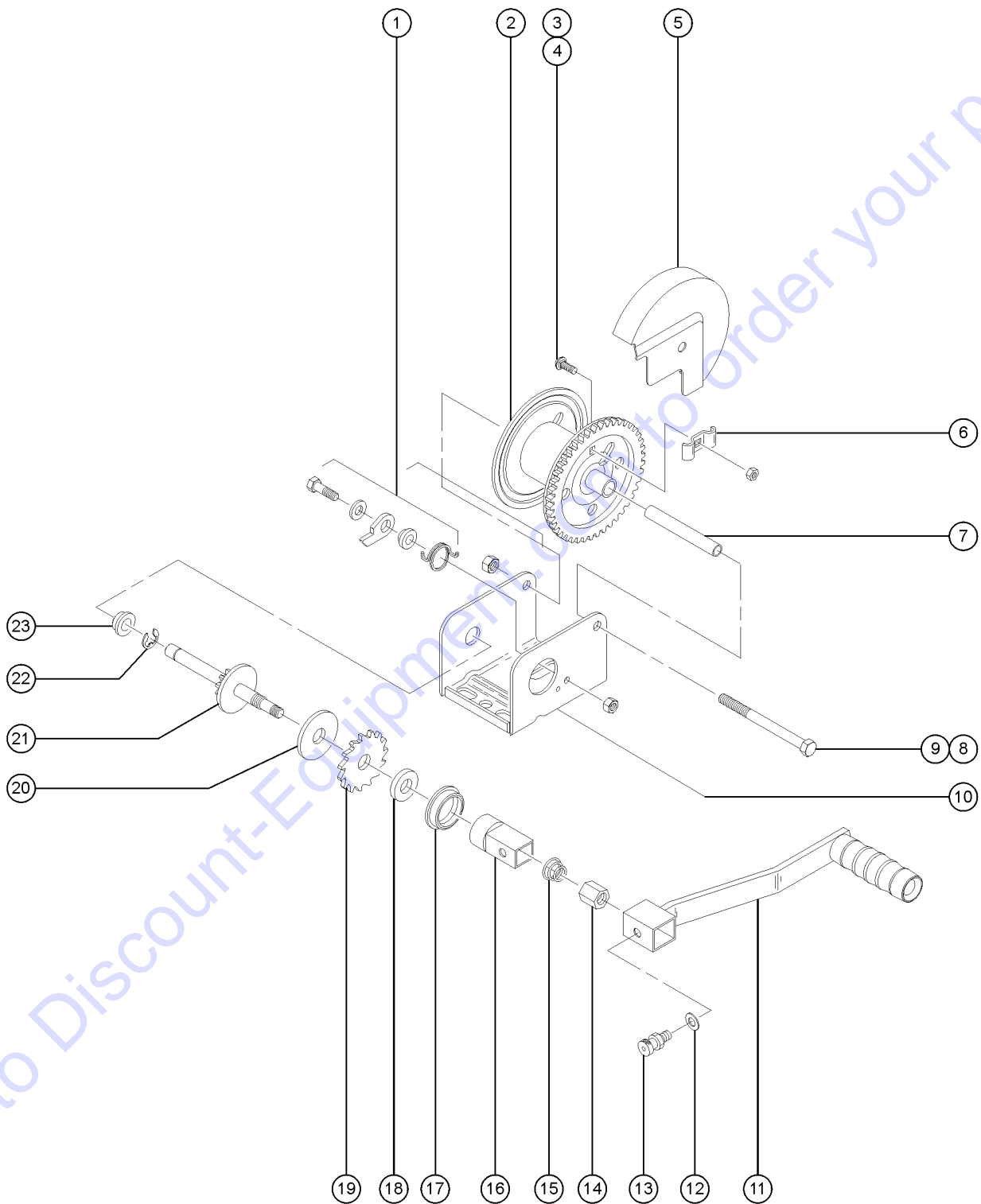
Go to Discount-Equipment.com to order your parts

307.3 Manual Winch Assembly, Standard



Item	Part No.	Description	Qty.
	37149GT	WINCH ASSY (DLB800)***	
	37023GT	WINCH,GENIE LIFT (DLB800) does not include handle	1
1	37068GT	RATCHET KIT,DLB800 (includes mounting fasteners)	1
2A	85183GT	CABLE DRUM-DLB800A** (from SN 1300-16096)	
3	6878GT	BOLT,CARRIAGE,1/4-20 X .75,G2	1
4	6357GT	NUT,HEX,1/4-20	
5	37066GT	COVER,GEAR,DLB800	1
6	37065GT	CABLE KEEPER, DLB800	1
7	37067GT	SPACER,DRUM BOLT,DLB800	1
8	12981GT	SCREW,HHC,3/8-16 X 4.5	
9	12012GT	NUT,LOCK,3/8-16	
10A	85185GT	WINCH FRAME-DLB800A** (from SN 1300-16096)	
11	37151GT	WINCH HANDLE ASSY. (includes index numbers 12 and 13)	1
11-	1257748GT	ASSEMBLY,WINCH HANDLE, GL/LL (replaced 37255)	1
12	124781GT	WASHER,FLAT,0.625X.875X.031 (replaced 43851)	
13	6825GT	PIN,OUTRIGGER LOCK	1
14	85060GT	NUT,HANDLE ADAPTER 1/2-20 (fine)	
15	37060GT	SPRING, WINCH HANDLE	1
16	37069GT	HANDLE ADAPTER WELDMENT	1
17A	85182GT	SINTERED IRON BEARING,1-1/4** (from SN 1300-16096)	
18	37063GT	PINION PLATE, DLB800	1
19	37062GT	RATCHET GEAR, DLB800	1
20	37061GT	BRAKE FACE,DLB800	1
21A	85184GT	PINION SHAFT-DLB800A* (from SN 1300-16096)	
22	37058GT	RETAINER RING,0.625	1
23	37057GT	BUSHING,PINION SHAFT,SM,DLB800	1

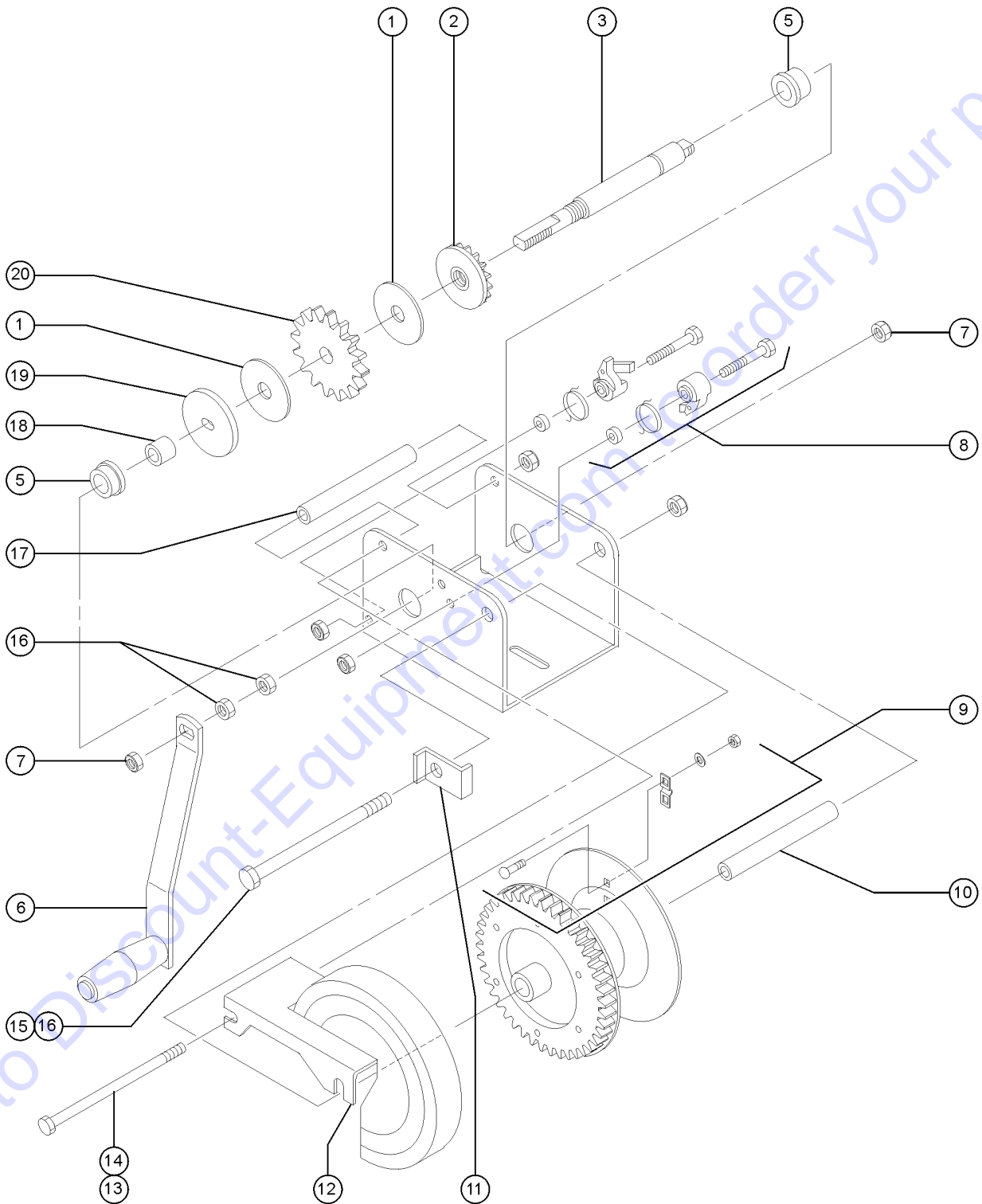
307.4 Manual Winch Assembly, Standard



Go to Discount-Equipment.com to order your parts

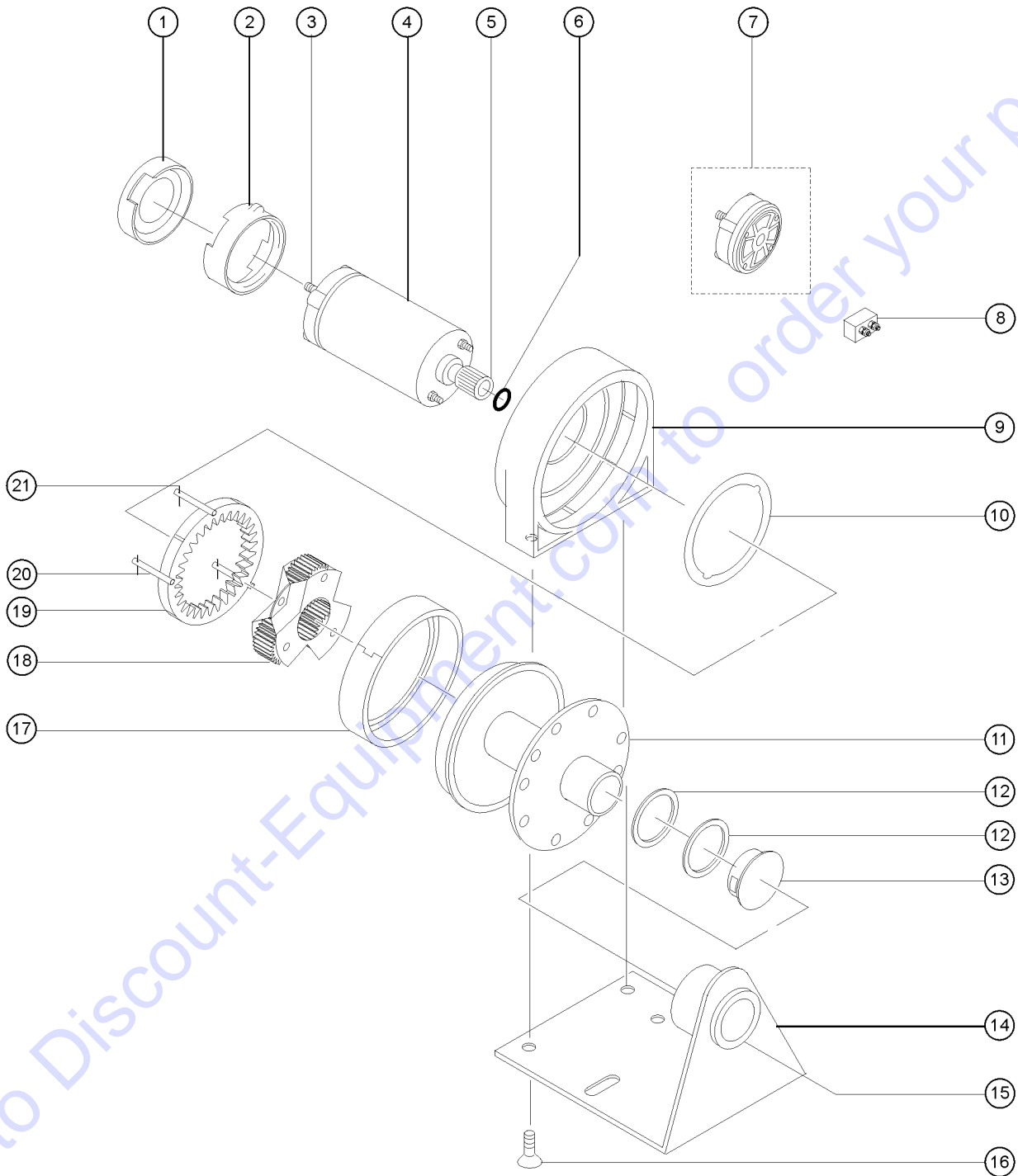
Item	Part No.	Description	Qty.
	37149GT	WINCH ASSY (DLB800)*** complete; with handle and fasteners	
	37023GT	WINCH,GENIE LIFT (DLB800) does not include handle	
1	37068GT	RATCHET KIT,DLB800 (includes mounting fasteners)	1
2A	85183GT	CABLE DRUM-DLB800A** (from SN 1300-16096)	
3	6878GT	BOLT,CARRIAGE,1/4-20 X .75,G2	1
4	6357GT	NUT,HEX,1/4-20	
5	37066GT	COVER,GEAR,DLB800	1
6	37065GT	CABLE KEEPER, DLB800	1
7	37067GT	SPACER,DRUM BOLT,DLB800	1
8	12981GT	SCREW,HHC,3/8-16 X 4.5	
9	12012GT	NUT,LOCK,3/8-16	
10A	85185GT	WINCH FRAME-DLB800A** (from SN 1300-16096)	
11	37151GT	WINCH HANDLE ASSY. (includes index numbers 12 and 13)	1
11-	1257748GT	ASSEMBLY,WINCH HANDLE, GL/LL (replaced 37255)	1
12	124781GT	WASHER,FLAT,0.625X.875X.031 (replaced 43851)	
13	6825GT	PIN,OUTRIGGER LOCK	1
14	85060GT	NUT,HANDLE ADAPTER	
15	37060GT	SPRING, WINCH HANDLE	1
16	37069GT	HANDLE ADAPTER WELDMENT	1
17A	85182GT	SINTERED IRON BEARING,1-1/4** (from SN 1300-16096)	
18	37063GT	PINION PLATE, DLB800	1
19	37062GT	RATCHET GEAR, DLB800	1
20	37061GT	BRAKE FACE,DLB800	1
21A	85184GT	PINION SHAFT-DLB800A* (from SN 1300-16096)	
22	37058GT	RETAINER RING,0.625	1
23	37057GT	BUSHING,PINION SHAFT,SM,DLB800	1

308.1 Manual Winch Assembly, Heavy Duty



Item	Part No.	Description	Qty.
	109852GT	WINCH,HEAVY DUTY,SINGLE HANDLE USA, Canada and Australia models (word decals)(handle not included)	1
	107157GT	1 SPD WINCH ASSY W/ SYM DECAL Asia, S. America and European models	
1	1256083GT	SVC KIT, FRICTION DISC K/KX	2
2		PINION GEAR AND DISC K-1550 (7590) (not sold separately)	1
3		INPUT SHAFT, HEAVY DUTY WINCH (236177) component no longer available	1
5	1256081GT	SERVICE KIT,PINION SHAFT-K1550	2
6A	16342GT	WINCH HANDLE-O.A.LENGTH-11"	1
6B	33144GT	WINCH HANDLE 8" STD.**	
7	6086GT	NUT,LP NYLOCK,1/2-13	
8	40458GT	RATCHET PAWL KIT	1
9	6190GT	CABLE KEEP.KIT (BRACKET TYPE)*	1
9-	80159GT	CARRIAGE BOLT	
9-	80160GT	KEEPER-CABLE (32525)	
9-	80161GT	WASHER-STAR,INTERN,5/8"(32525)	
9-	25625GT	NUT,HEX,10-24	
10	6184GT	SPACER, DRUM BOLT, K-1550	1
11		WINCH BRACKET, DRUM BOLT LOCK (31946) (not sold separately)	1
12	6770GT	WINCH GEAR COVERS, K-1500	1
13	7256GT	SCREW,HHC,5/16-18 X 6 GRD.2	
14	6782GT	NUT,NYLOCK,5/16-18	
15	6185GT	BOLT, DRUM SPACER	1
16	6034GT	NUT,HEX,JAM,1/2-13	
17		FRAME SPACER,K-1550 (7584) (not sold separately)	1
18	1256082GT	SERVICE KIT,PINION SHAFT-K2550	1
19	1256081GT	SERVICE KIT,PINION SHAFT-K1550	1
20	1256081GT	SERVICE KIT,PINION SHAFT-K1550	1

309.1 Electric Winch Assembly

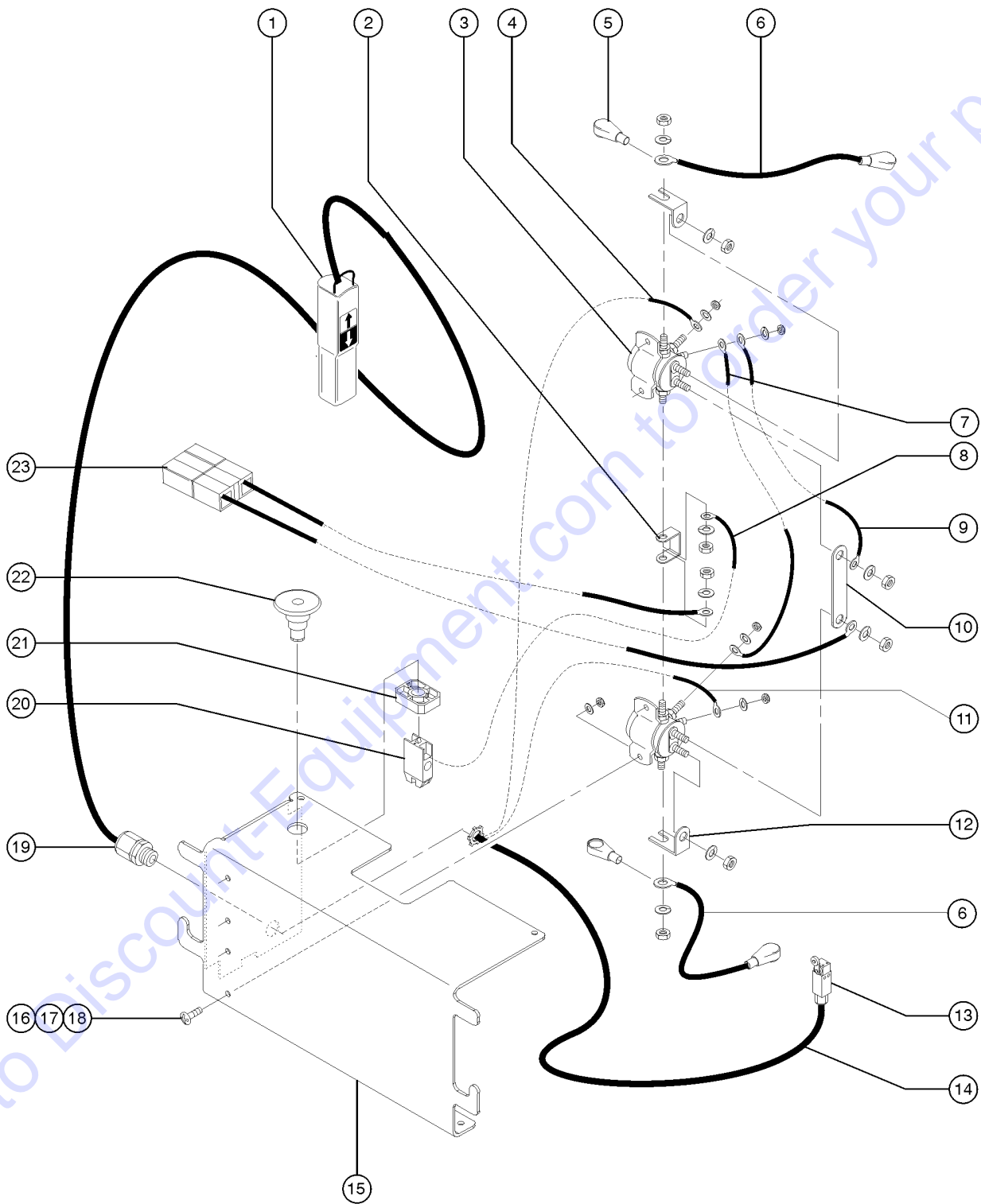


Go to Discount-Equipment.com to order your parts

Item	Part No.	Description	Qty.
1	85161GT	CAM COVER-FREE WHELL	1
2		CAM RING-FREE WHEEL (85162) (component no longer available)	1
3		THREADED SWITCH CONTACTS (85179) (component no longer available)	2
4		DRIVE MOTOR 12V DC (component no longer available)	1
5	85180GT	PINION GEAR	1
6	85164GT	SNAP RING	1
7		DRIVE MOTOR 12V DC (component no longer available)	1
8		40A CIRCUIT BREAKER (85174) (component no longer available)	1
9		GEAR HOUSING-NON FREE WHEEL (85165) (component no longer available)	1
10		SPRING WASHER (85166) (component no longer available)	1
11	85172GT	DRUM ASSEMBLY	1
12		REPLACEMENT SHIM WASHER (85171) (component no longer available)	2
13		DRUM END PLUG (85170) (component no longer available)	1
14		MOUNTING BASE (85168) (component no longer available)	1
15		FLANGE BEARING (85167) (component no longer available)	1
16		MOUNTING BASE BOLT (85169) (component no longer available)	2
17	85173GT	DRUM BEARING	1
18	85175GT	PLANET GEAR ASSY.	1
19	85176GT	STATIONARY RING GEAR	1
20	85177GT	GEAR PIN-FREE WHEEL	3
21	85178GT	ROLL PIN-FREE WHEEL	1

Go to DiscountEquipment.com to order your parts

310.1 Control Panel Assembly - Models with Electric Winch

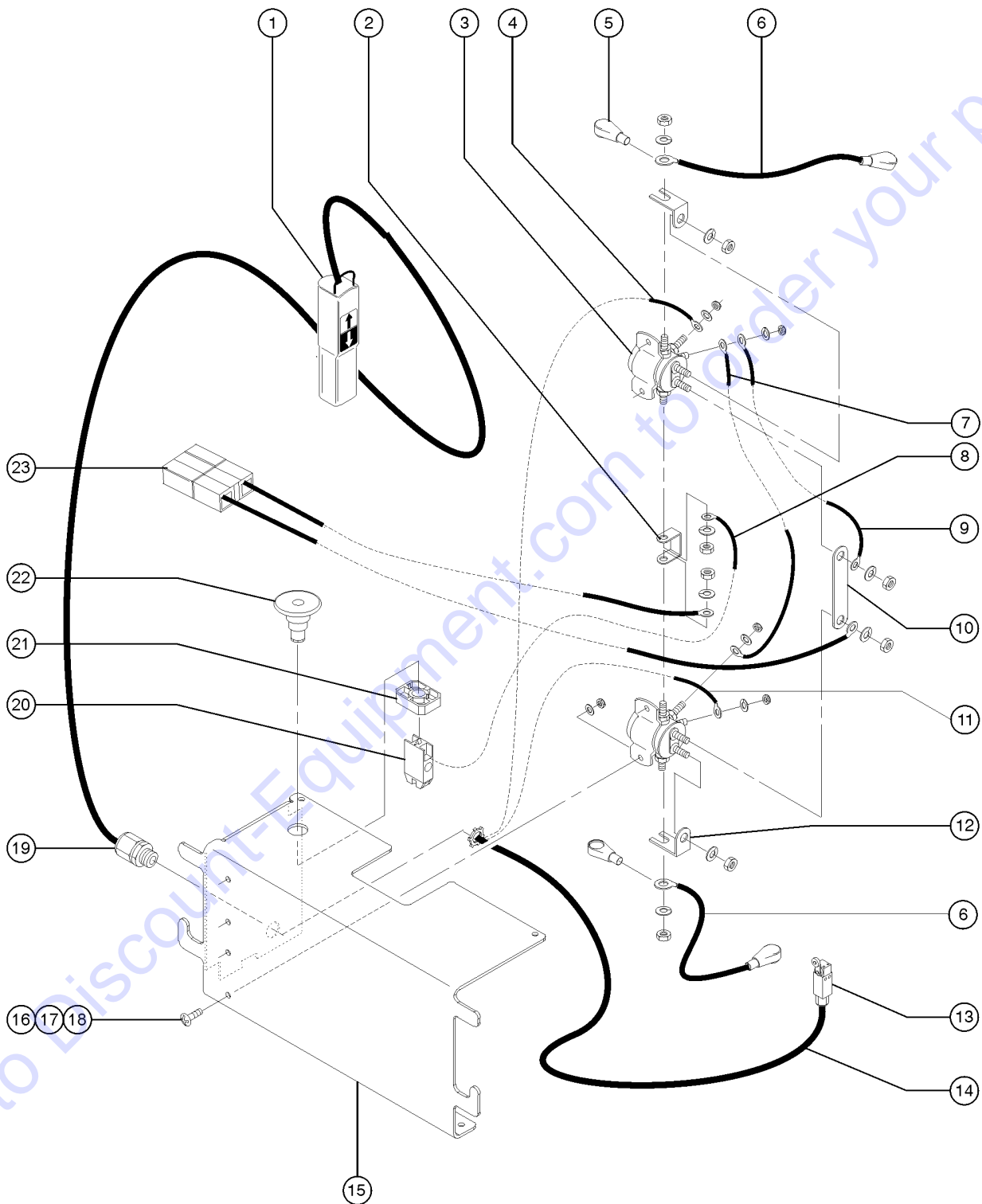


310.1 Control Panel Assembly - Models with Electric Winch

Item	Part No.	Description	Qty.
1	85344GT	REMOTE CONTROL ASSY(GL)	1
1-	41669GT	PENDANT, CONTROL GL WINCH	1
2	43334GT	CONTACT,STRAP, "U",GL	1
3	37570GT	SOLENOID, MOTOR START 12VDC	2
4	85345GT	CABLE ASSY-REMOTE CONT.-80"GL	1
5	43326GT	BOOT,CABLE TERMINAL COVER,GL	4
6	85289GT	CABLE ASSY-MOTOR-22"-DOMESTIC* (Worldwide models)	2
6-	13082GT	WELDING CABLE,#4 EXCELENE/BLK.	22
6-	13085GT	TERMINAL,5/16 RING 4 GA NI	
6A	85289GT	CABLE ASSY-MOTOR-22"-DOMESTIC* (Domestic models)	2
6A-	106208GT	WIRE,6 GA,BLACK,GXL	22
6A-	43322GT	TERMINAL, #8 RING,5/16ID	
7	85343GT	CABLE ASSY-SOLENOID-5" (GL)	1
8	85346GT	CABLE ASSY-SOLEN/CONTACT-5"GL	1
9	85342GT	CABLE ASSY-SOLENOID-3"(GL)	1
10	43333GT	CONTACT,STRAP STRAIGHT,GL	1
11	85345GT	CABLE ASSY-REMOTE CONT.-80"GL	1
12	43335GT	CONTACT,STRAP 90DEG,GL	2
13	96948GT	SWITCH,LIMIT,W/ROLLER ARM***	1
14	85348GT	CABLE ASSY-LIMIT SWITCH-48"GL	1
15	85349GT	CONTROL PANEL ASSY (GL)	1
16	38979GT	SCREW,PHM,1/4-20X.5 PHIL	
17	6638GT	WASHER,FLAT,USS,1/4"Y	
18	6689GT	Nylock Nut, 1/4 -20	
19	7056GT	CONN,SQUEEZE,1/2NPT .38-.50,SM (includes locknut)	1
20		Ref. Contact, E-stop (refer to item 22)	1
21		Ref. Base (refer to item 22)	1



310.1 Control Panel Assembly - Models with Electric Winch



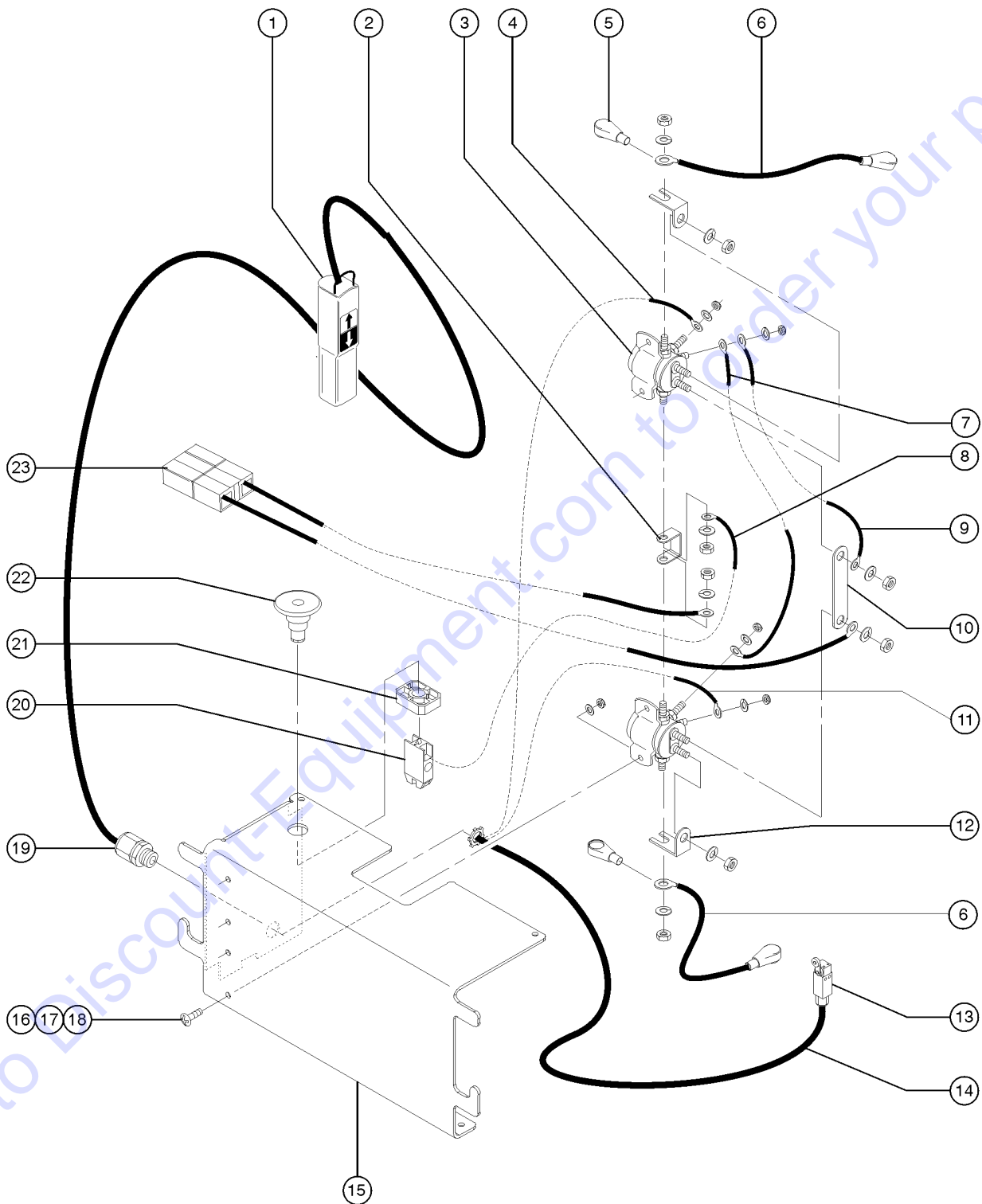
310.1 Control Panel Assembly - Models with Electric Winch

Item	Part No.	Description	Qty.
22	124641GT	KIT,ESTOP, A/IWP/DPL (to SN GL08-55576) (this is an update kit; the original E-stop button is no longer available from the supplier. Please note, if this kit has already been installed on the unit, refer to the part numbers listed below)	1
22-	66812GT	BUTTON,PUSH,RED MUSHROOM HEAD	1
22-	66818GT	CONTACT,NC	
23		Ref. Power Cable Assembly -Solenoid (refer to Figure 304.1)	1

Go to Discount-Equipment.com to order your parts



310.2 Control Panel Assembly - Models with Electric Winch

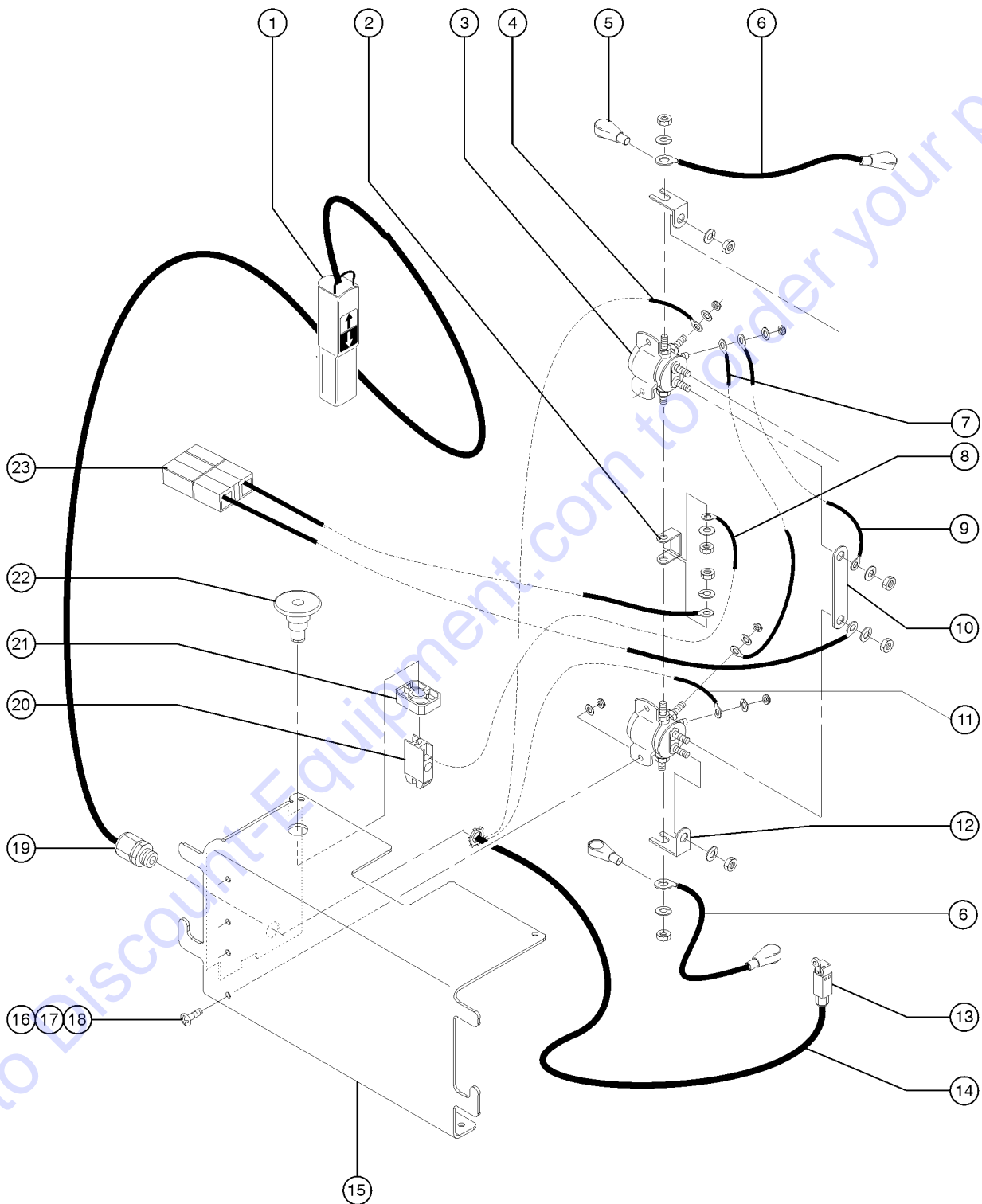


310.2 Control Panel Assembly - Models with Electric Winch

Item	Part No.	Description	Qty.
1	85344GT	REMOTE CONTROL ASSY(GL)	1
1-	41669GT	PENDANT, CONTROL GL WINCH	1
2	43334GT	CONTACT,STRAP, "U",GL	1
3	37570GT	SOLENOID, MOTOR START 12VDC	2
4	85345GT	CABLE ASSY-REMOTE CONT.-80"GL	1
5	43326GT	BOOT,CABLE TERMINAL COVER,GL	4
6	85289GT	CABLE ASSY-MOTOR-22"-DOMESTIC* (Worldwide models)	2
6-	13082GT	WELDING CABLE,#4 EXCELENE/BLK.	22
6-	13085GT	TERMINAL,5/16 RING 4 GA NI	
6A	85289GT	CABLE ASSY-MOTOR-22"-DOMESTIC* (Domestic models)	2
6A-	106208GT	WIRE,6 GA,BLACK,GXL	22
6A-	43322GT	TERMINAL, #8 RING,5/16ID	
7	85343GT	CABLE ASSY-SOLENOID-5" (GL)	1
8	85346GT	CABLE ASSY-SOLEN/CONTACT-5"GL	1
9	85342GT	CABLE ASSY-SOLENOID-3"(GL)	1
10	43333GT	CONTACT,STRAP STRAIGHT,GL	1
11	85345GT	CABLE ASSY-REMOTE CONT.-80"GL	1
12	43335GT	CONTACT,STRAP 90DEG,GL	2
13	96948GT	SWITCH,LIMIT,W/ROLLER ARM***	1
14	85348GT	CABLE ASSY-LIMIT SWITCH-48"GL	1
15	85349GT	CONTROL PANEL ASSY (GL)	1
16	38979GT	SCREW,PHM,1/4-20X.5 PHIL	
17	6638GT	WASHER,FLAT,USS,1/4"Y	
18	6689GT	Nylock Nut, 1/4 -20	
19	7056GT	CONN,SQUEEZE,1/2NPT .38-.50,SM (includes locknut)	1
20		Ref. Contact, E-stop (refer to item 22)	1
21		Ref. Base (refer to item 22)	1



310.2 Control Panel Assembly - Models with Electric Winch

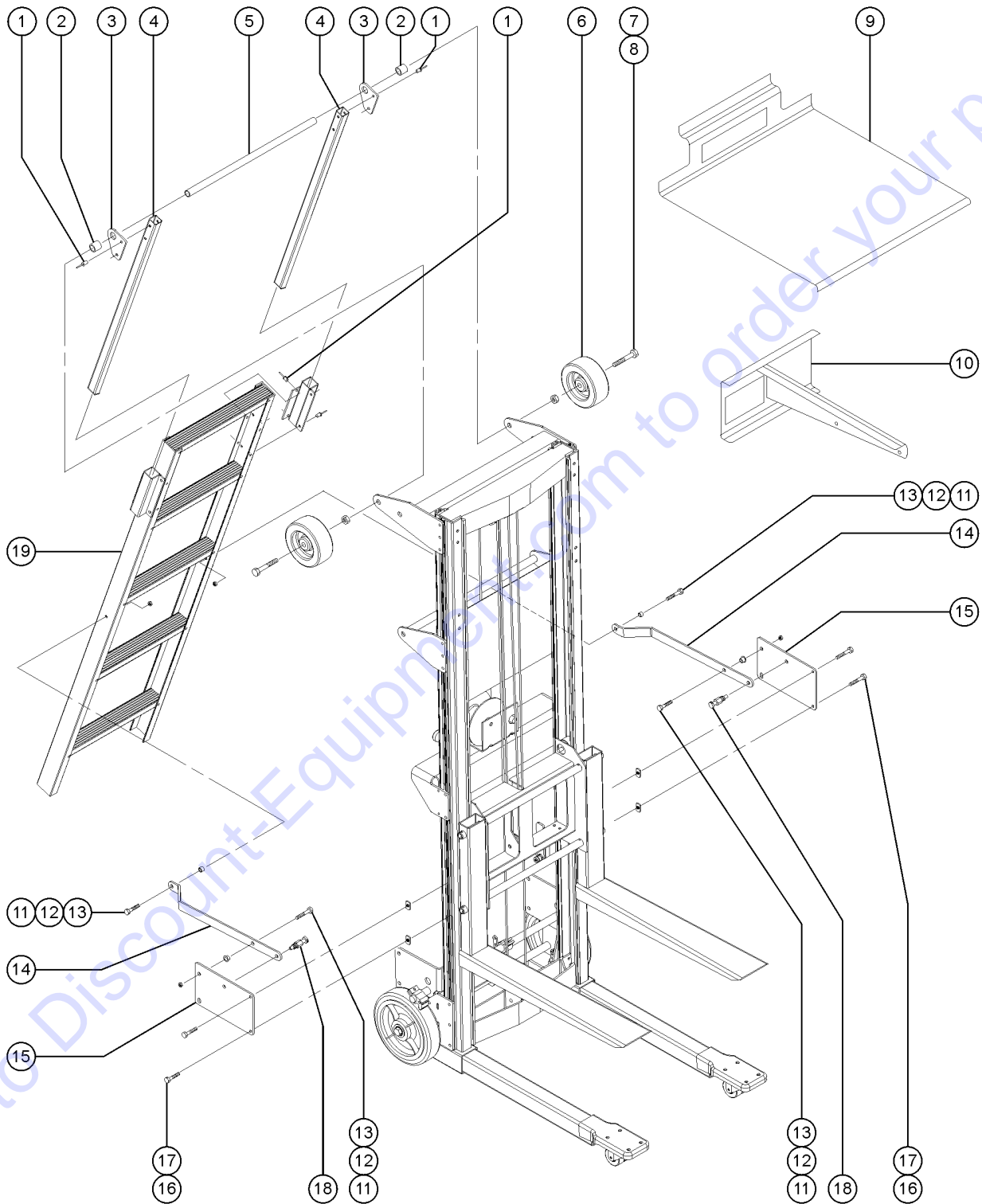


310.2 Control Panel Assembly - Models with Electric Winch

Item	Part No.	Description	Qty.
22	124641GT	KIT,ESTOP, A/IWP/DPL (to SN GL08-55573) (this is an update kit; the original E-stop button is no longer available from the supplier. Please note, if this kit has already been installed on the unit, refer to the part numbers listed below)	1
22-	66812GT	BUTTON,PUSH,RED MUSHROOM HEAD	1
22-	66818GT	CONTACT,NC from SN 55574; for 66812	
23		Ref. Power Cable Assembly -Solenoid	1
		(refer to Figure 304.1)	

Go to Discount-Equipment.com to order your parts

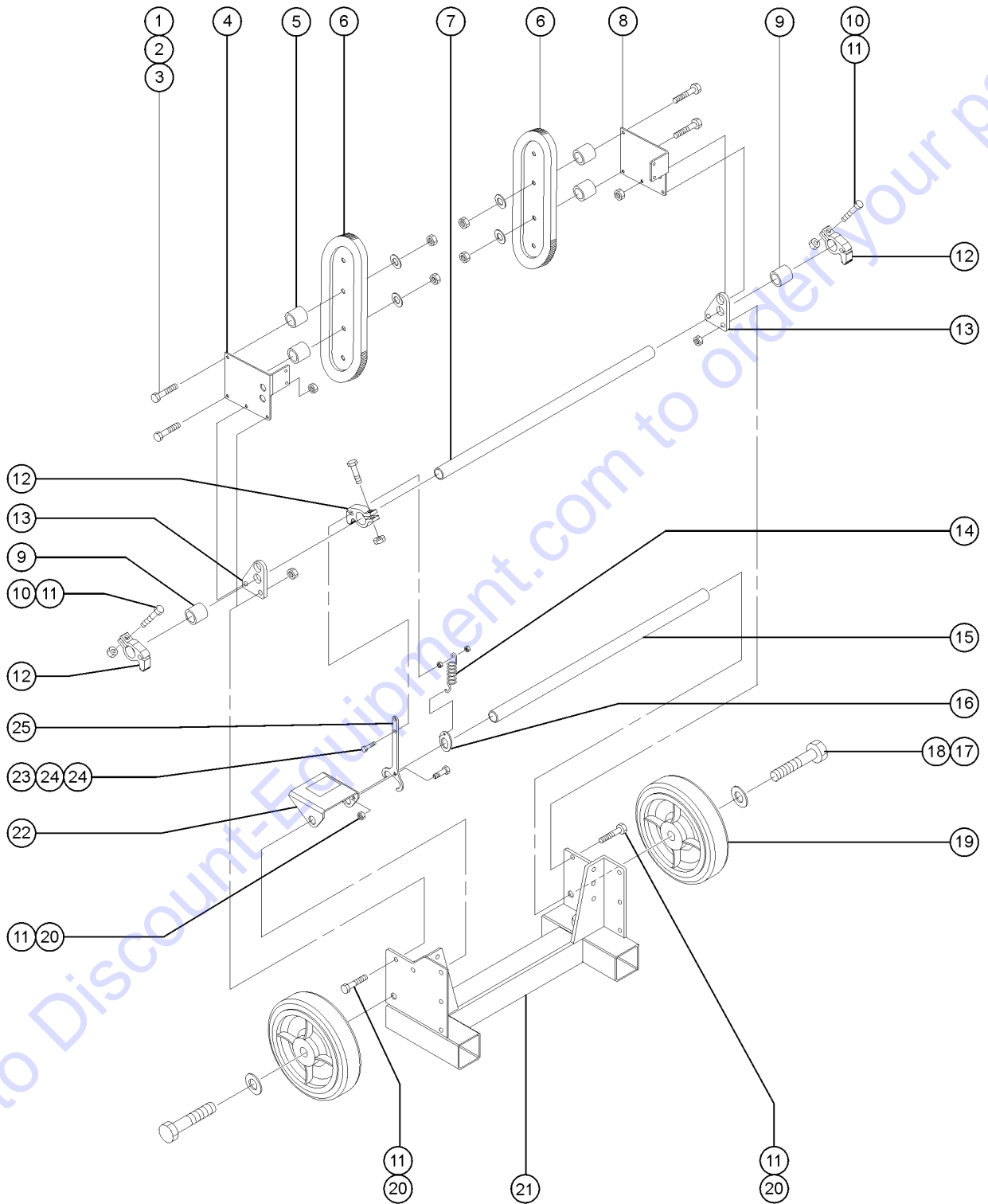
401.1 Ladder and Load Handling Attachments



401.1 Ladder and Load Handling Attachments

Item	Part No.	Description	Qty.
1	7265GT	RIVET,STEEL,P, .25 X .375	
2	46162GT	SPACER,TUBE,PVC,.75LG	2
3	35337GT	PLATE,LADDER EXTENSION	2
4	35342GT	TUBE,LADDER EXTENSION	2
5	35235GT	TUBE, AXLE, GL 18.685"	1
6	57784GT	WHEEL,POLYOLEFIN,4X1.25,1/2	2
7	10598GT	SCREW,HHC, 1/2-13 X 3	
8	6034GT	NUT,HEX,JAM,1/2-13	
9	37148GT	LOAD PLATFORM W/ DECAL	1
10	37086GT	GL BOOM WELDMENT W/DECAL	1
10-	5143GT	HOOK, " S "	
		optional	
11	6090GT	SCREW,HHC, 1/4-20 X .75	
12	38234GT	BUSHING,FLANGE,3/8 OD X 1/4 ID	4
13	6091GT	NUT,NYLOCK,1/4-20	
14	35338-SGT	PLATE,LATCH LADDER,"BLUE"	2
15	37506GT	PLATE,LADDER PIVOT	2
16	7339GT	SCREW,HHC, 1/4-20 X .5	
17	35991GT	NUT,WELD 1/4-20, PLATED L.L.**	
18	6825GT	PIN,OUTRIGGER LOCK	2
19	37115GT	LADDER W/DECALS BLUE, GL4/8	1
19	38288GT	WEAR STRIP,LADDER GL###	2
		Qty. 5	
19A	37116GT	LADDER W/ DECALS-GL10	1
19B	37117GT	LADDER W/DECALS-GL12	1

402.1 Stair Roller and Rear Wheel Brake

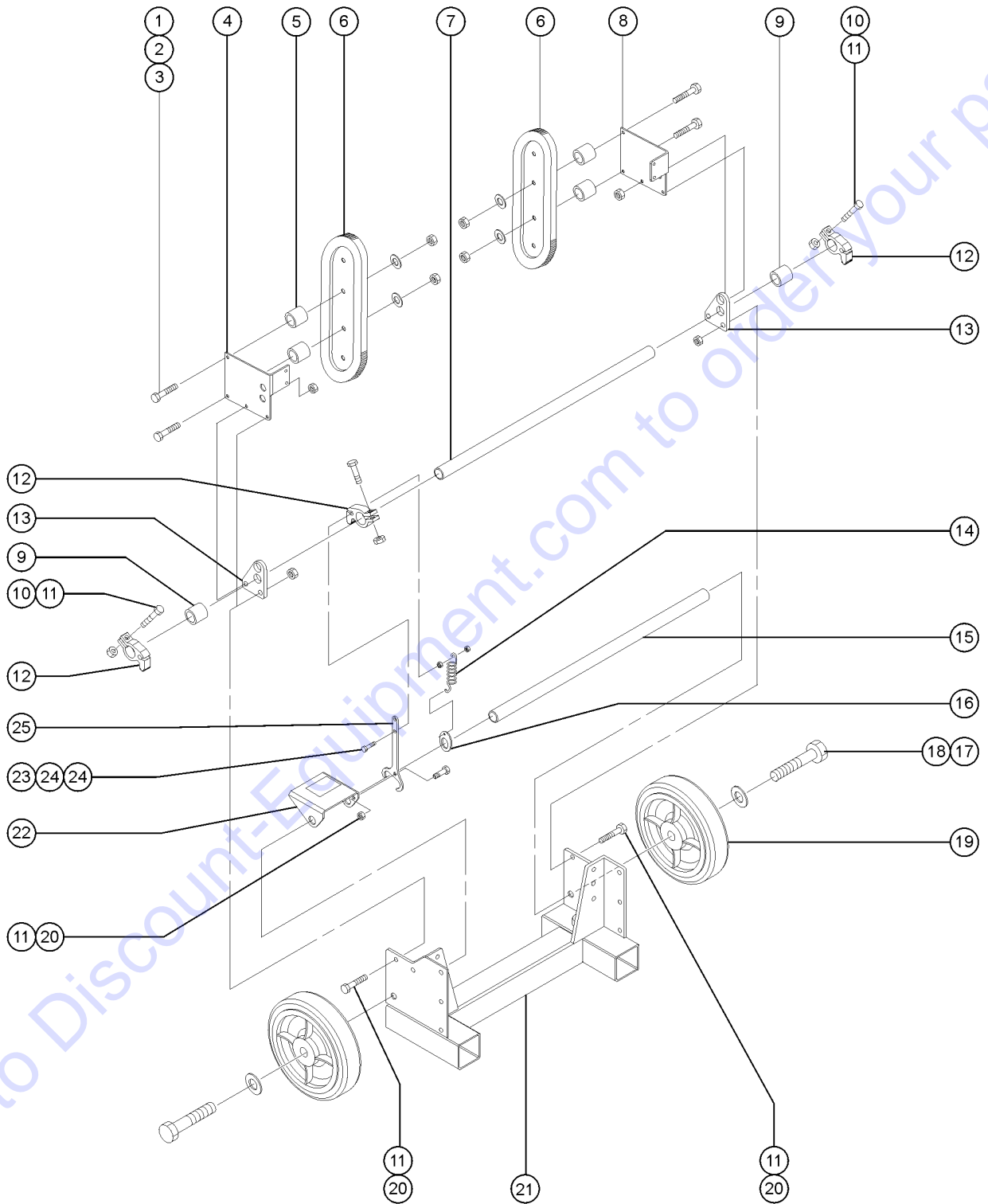


402.1 Stair Roller and Rear Wheel Brake

Item	Part No.	Description	Qty.
	37247-SGT	OPTION, GL BRAKE ACCESSORY	
	37888GT	OPTION,STRADDLE BRAKE GL	
1	6708GT	SCREW,HHC,3/8-16 X 2.25	
2	6021GT	WASHER,LOCK,.375	
3	4828GT	NUT,NYLOCK,3/8-16	
4	35344-SGT	BRKT,STAIR ROLLER MNT.RH"BLUE"	1
5	37121GT	BUSHING,BRONZE,5/8 OD X 3/8 ID	4
6	15180GT	STAIR ROLLER-DRILLED	2
7	37152GT	ROD,BRAKE CAM,STAND.BASE	1
7A	37153GT	ROD,BRAKE CAM,STRADDLE BASE	1
8	35345-SGT	BRKT,STAIR ROLLER MNT.LH"BLUE"	1
9	46161GT	SPACER,TUBE,PVC,1.00LG	2
10	6888GT	SCREW,HHC,1/4-20 X 1	
11	6091GT	NUT,NYLOCK,1/4-20	
12	35917GT	BRAKE CAM,MACHINED	3
13	35346GT	PLATE,BRAKE PIVOT	2
14	37112GT	SPRING,BRAKE LINKAGE, GL	1
15	35235GT	TUBE, AXLE, GL 18.685"	1
15A	35300GT	TUBE, STRADDLE BASE AXLE	1
16	37113GT	WASHER,FLAT,RETAINING,.781	1
17	6732GT	SCREW,HHC,1/2-13 X 3.25	2
17A	37153GT	ROD,BRAKE CAM,STRADDLE BASE	2
18	6095GT	WASHER,FLAT,USS,1/2",Y	
19	57787-SGT	KIT,WHEEL,TPE,8 X 2,3/4,1/2	2
19A	80677GT	WHEEL,PNEUMATIC,10",5/8" HUB	2
20	6090GT	SCREW,HHC,1/4-20 X .75	
21		Ref. Base (refer to 201.1 or 202.1)	
22	35333GT	PEDAL,BRAKE ,GL	1



402.1 Stair Roller and Rear Wheel Brake



402.1 Stair Roller and Rear Wheel Brake

Item	Part No.	Description	Qty.
22A	1259GT	TAPE,NON SKID,2" WIDE (BULK)	3.5
23	6637GT	SCREW,HHC,1/4-20 X 1.75	
24	6889GT	NUT,LP NYLOCK,1/4-20	
25	35350GT	PLATE,BRAKE LINKAGE STOP*****	

Go to Discount-Equipment.com to order your parts

<u>Part no.</u>	<u>Page Number</u>	<u>Part no.</u>	<u>Page Number</u>	<u>Part no.</u>	<u>Page Number</u>
6-5205-16GT	39, 43	7256GT	73	35286GT	37, 41
1259GT	89	7265GT	85	35293-SGT	37, 41
4828GT	21, 23, 25, 27, 31, 35...	7339GT	31, 35, 45, 49, 85	35298GT	13, 15, 17, 19, 21, 23...
5143GT	85	7713GT	29, 35, 45, 49	35299GT	37, 41
5224GT	31, 37, 41	8178GT	31, 37, 41	35300GT	21, 23, 25, 27, 87
5270GT	37, 41	8514GT	39, 43	35301GT	39, 43
5271GT	37, 41	8915GT	39, 43	35315GT	13, 15, 17, 19
5272GT	37, 41	10107GT	13, 15, 17, 19, 21, 23...	35317GT	31
5393GT	33	10587GT	31	35318GT	31
5397GT	29	10598GT	85	35319GT	37, 41
6002GT	13, 15, 17, 19, 21, 23...	11890GT	31, 39, 43	35321GT	31
6021GT	37, 41, 87	11906GT	37, 41	35322GT	31
6034GT	31, 73, 85	12012GT	63, 65, 69, 71	35323GT	37, 41
6052GT	35	12981GT	63, 65, 69, 71	35326GT	33
6054GT	37, 41	13082GT	47, 51, 77, 81	35333GT	87
6086GT	29, 73	13085GT	47, 51, 77, 81	35337GT	85
6090GT	21, 23, 25, 27, 29, 37...	15180GT	87	35338-SGT	85
6091GT	21, 23, 25, 27, 29, 37...	16342GT	73	35342GT	85
6095GT	13, 15, 17, 19, 21, 23...	19491GT	45, 49	35344-SGT	87
6097GT	35, 37, 41, 45, 49	21279GT	37, 41	35345-SGT	87
6145GT	45, 49	21280GT	37, 41	35346GT	87
6175GT	21, 23, 25, 27, 29, 35...	22547GT	37, 41	35347GT	31
6178GT	45, 49	22832GT	29	35350GT	89
6184GT	73	24036GT	53, 55	35351GT	31
6185GT	73	25625GT	73	35352GT	31
6190GT	73	27643GT	45, 49	35353GT	37, 43
6356GT	31, 35, 45, 49	28372GT	11	35567GT	9, 11
6357GT	63, 65, 69, 71	28487GT	35, 45, 49	35574GT	9, 11
6415GT	13, 15, 17, 19, 21, 23...	29849GT	45, 49	35575GT	9
6637GT	89	31068GT	11	35577GT	9, 11
6638GT	33, 39, 43, 45, 49, 77...	31072GT	9, 11	35578GT	9, 11
6653GT	31	31318GT	47, 51	35579GT	9, 11
6689GT	77, 81	32375GT	13, 15, 17, 19, 21, 23...	35631-SGT	35
6708GT	87	32453GT	13, 15, 21, 23	35632GT	35
6732GT	13, 15, 17, 19, 21, 23...	33144GT	73	35638GT	21, 23, 25, 27
6770GT	73	33245GT	45, 49	35640-SGT	21, 23, 25, 27
6782GT	39, 43, 73	33468GT	9, 11	35641-SGT	21, 23, 25, 27
6825GT	35, 63, 65, 69, 71, 85	33551GT	53, 55	35732GT	39, 43
6878GT	63, 65, 69, 71	33720GT	35	35894GT	23, 25, 27
6888GT	39, 43, 87	35235GT	13, 15, 17, 19, 31, 85...	35894-SGT	21
6889GT	45, 49, 89	35280-SGT	33	35895-SGT	21, 23, 25, 27
7056GT	77, 81	35285GT	37, 41	35896GT	29

<u>Part no.</u>	<u>Page Number</u>	<u>Part no.</u>	<u>Page Number</u>	<u>Part no.</u>	<u>Page Number</u>
35897GT	29	37202GT	13, 15, 17, 19, 21, 23...	46162GT	85
35912GT	33	37247-SGT	87	46440GT	59, 61
35915GT	37, 41	37263GT	33, 39, 43	46441GT	59, 61
35917GT	87	37506GT	85	48282GT	59, 61
35991GT	31, 35, 45, 49, 85	37512GT	37, 41	49712GT	35
35996GT	29	37570GT	77, 81	51063GT	45, 49
37018GT	31	37888GT	87	52982GT	9, 11
37023GT	63, 65, 69, 71	38165GT	53, 55	55010GT	59, 61
37049GT	9, 11	38166GT	53, 55	55018GT	47, 51, 53, 55, 59, 61
37057GT	63, 67, 69, 71	38172GT	53, 55	55019GT	47, 51, 53, 55, 59, 61
37058GT	63, 67, 69, 71	38173GT	53, 55	55021GT	47, 51, 59, 61
37059GT	63, 65	38174GT	53, 55	57159GT	45, 49
37060GT	63, 65, 69, 71	38175GT	53, 55	57171GT	45, 49
37061GT	63, 65, 69, 71	38215GT	45, 49	57731GT	15, 17, 19, 23, 25, 27
37062GT	63, 65, 69, 71	38234GT	85	57734GT	21, 23, 25, 27
37063GT	63, 65, 69, 71	38288GT	85	57735GT	29
37064GT	63, 65	38362GT	29	57740GT	21, 23, 27
37065GT	63, 65, 69, 71	38510GT	31, 35, 39, 43	57784GT	31, 85
37066GT	63, 65, 69, 71	38648-SGT	53, 55	57786GT	29
37067GT	63, 65, 69, 71	38649-SGT	53, 55	57787-SGT	13, 15, 17, 19, 21, 23...
37068GT	63, 65, 69, 71	38658GT	53, 55	66397GT	47, 51
37069GT	63, 65, 69, 71	38979GT	77, 81	66812GT	79, 83
37082GT	13, 15, 17, 19	40164GT	13	66818GT	79, 83
37083GT	21, 23, 25, 27	40458GT	73	69228GT	47, 51
37084GT	9	41191GT	45, 49	69229GT	45, 49
37086GT	85	41218GT	53, 55	69230GT	47, 51
37087GT	31	41669GT	77, 81	69231GT	53, 55
37088GT	33	43021GT	11	71706GT	47, 51, 59, 61
37111GT	9	43022GT	11	80159GT	73
37112GT	87	43245GT	45, 49	80160GT	73
37113GT	87	43322GT	77, 81	80161GT	73
37115GT	85	43323GT	57	80677GT	13, 15, 17, 19, 21, 23...
37116GT	85	43325GT	37, 41	80889GT	47, 51
37117GT	85	43326GT	77, 81	80939GT	9, 11
37120GT	9	43333GT	77, 81	80990GT	59, 61
37121GT	87	43334GT	77, 81	85060GT	63, 65, 69, 71
37146GT	35	43335GT	77, 81	85161GT	75
37148GT	85	44366GT	45, 49	85164GT	75
37149GT	63, 65, 69, 71	44405GT	31, 35, 45, 49	85172GT	75
37151GT	63, 65, 69, 71	44754GT	9	85173GT	75
37152GT	87	45427GT	47, 51	85175GT	75
37153GT	87	46161GT	87	85176GT	75

<u>Part no.</u>	<u>Page Number</u>	<u>Part no.</u>	<u>Page Number</u>	<u>Part no.</u>	<u>Page Number</u>
85177GT	75	109944GT	41		
85178GT	75	109949GT	39, 43		
85180GT	75	109952GT	37, 41		
85182GT	65, 69, 71	115374GT	31		
85183GT	65, 69, 71	115375GT	31		
85184GT	67, 69, 71	124641GT	79, 83		
85185GT	65, 69, 71	124781GT	63, 65, 69, 71		
85186GT	63, 65	124902GT	43		
85187GT	65	124907GT	39, 43		
85188GT	57	124984GT	39, 43		
85189GT	57	144161GT	59, 61		
85190GT	57	226888GT	63, 65		
85191GT	57	227873GT	39, 43		
85192GT	57	1256081GT	73		
85193GT	57	1256082GT	73		
85194GT	57	1256083GT	73		
85195GT	57	1257748GT	63, 65, 69, 71		
85196GT	57	1272242GT	9, 11		
85287GT	47, 51	1280819GT	9, 11		
85289GT	77, 81				
85342GT	77, 81				
85343GT	77, 81				
85344GT	77, 81				
85345GT	77, 81				
85346GT	77, 81				
85348GT	77, 81				
85349GT	45, 49, 77, 81				
85383GT	51				
85384GT	47, 51				
85460GT	59, 61				
90337GT	37, 41				
96110GT	47, 51				
96948GT	45, 49, 77, 81				
97059GT	59, 61				
97547GT	9, 11				
100193GT	55, 61				
100194GT	55, 61				
100195GT	61				
106208GT	77, 81				
107157GT	73				
109831GT	35				
109852GT	73				

California Proposition 65

 **WARNING**

Operating, servicing and maintaining this equipment, passenger vehicle or off-highway motor vehicle can expose you to chemicals including engine exhaust, carbon monoxide, phthalates, and lead, which are known to the State of California to cause cancer and birth defects or other reproductive harm. These chemicals can be emitted from or contained in other various parts and systems, fluids and some component wear by-products. To minimize exposure, avoid breathing exhaust, do not idle the engine except as necessary, service your equipment and vehicle in a well-ventilated area and wear gloves or wash your hands frequently when servicing your equipment or vehicle and after operation. For more information go to www.P65Warnings.ca.gov/passenger-vehicle.

Breathing diesel engine exhaust exposes you to chemicals known to the State of California to cause cancer and birth defects or other reproductive harm.

- Always start and operate the engine in a well-ventilated area.
- If in an enclosed area, vent the exhaust to the outside.
- Do not modify or tamper with the exhaust system.
- Do not idle the engine except as necessary.

For more information go to www.P65warnings.ca.gov/diesel.

Distributed By:

www.GreaseMonkey.com to order your parts

PARTS FINDER

**Search Website
by Part Number**



**Search Manual
Library For Parts
Manual & Lookup Part
Numbers – Purchase
or Request Quote**

Search Manuals

Enter your information to help us find the right parts manual for your machine.

* Brand:

* Model:

* Serial:

* Part Number:

SEARCH

**Can't Find Part or
Manual? Request Help
by Manufacturer,
Model & Description**

Parts Order Form

Please fill in the following information to help us find the right part for your machine.

Manufacturer:	<input type="text"/>
Model:	<input type="text"/>
Description:	<input type="text"/>
Part Number:	<input type="text"/>
Quantity:	<input type="text"/>
Notes:	<input type="text"/>

Submit

Discount-Equipment.com is your online resource for quality parts & equipment.

Florida: **561-964-4949** Outside Florida TOLL FREE: **877-690-3101**

Need parts?

Click on this link: <http://www.discount-equipment.com/category/5443-parts/> and choose one of the options to help get the right parts and equipment you are looking for. Please have the machine model and serial number available in order to help us get you the correct parts. If you don't find the part on the website or on one of the online manuals, please fill out the request form and one of our experienced staff members will get back to you with a quote for the right part that your machine needs.

We sell worldwide for the brands: Genie, Terex, JLG, MultiQuip, Mikasa, Essick, Whiteman, Mayco, Toro Stone, Diamond Products, Generac Magnum, Airman, Haulotte, Barreto, Power Blanket, Nifty Lift, Atlas Copco, Chicago Pneumatic, Allmand, Miller Curber, Skyjack, Lull, Skytrak, Tsurumi, Husquvarna Target, Stow, Wacker, Sakai, Mi-T-M, Sullair, Basic, Dynapac, MBW, Weber, Bartell, Bennar Newman, Haulotte, Ditch Runner, Menegotti, Morrison, Contec, Buddy, Crown, Edco, Wyco, Bomag, Laymor, EZ Trench, Bil-Jax, F.S. Curtis, Gehl Pavers, Heli, Honda, ICS/PowerGrit, IHI, Partner, Imer, Clipper, MMD, Koshin, Rice, CH&E, General Equipment, Amida, Coleman, NAC, Gradall, Square Shooter, Kent, Stanley, Tamco, Toku, Hatz, Kohler, Robin, Wisconsin, Northrock, Oztec, Toker TK, Rol-Air, APT, Wylie, Ingersoll Rand / Doosan, Innovatech, Con X, Ammann, Mecalac, Makinex, Smith Surface Prep, Small Line, Wanco, Yanmar