



DIS185SSI4F Air Compressor Hose Reel Kit Installation Instructions



www.Discount-Equipment.com

The following instructions are intended to assist the user in the installation of the hose reel kit for use on the DIS185SSI4F air compressor. Please read all installation instructions before installing the kit.

REQUIRED TOOLS

- Power drill with 13/64", 11/32", and 3/4" drill bits
- Metric/SAE ratchet set
- Metric/SAE socket set
- Wire cutters/strippers
- 1/2" thread sealant tape
- Scriber or equivalent tool

PARTS

Verify that all parts are accounted for. See Figure 1 and Table 1.

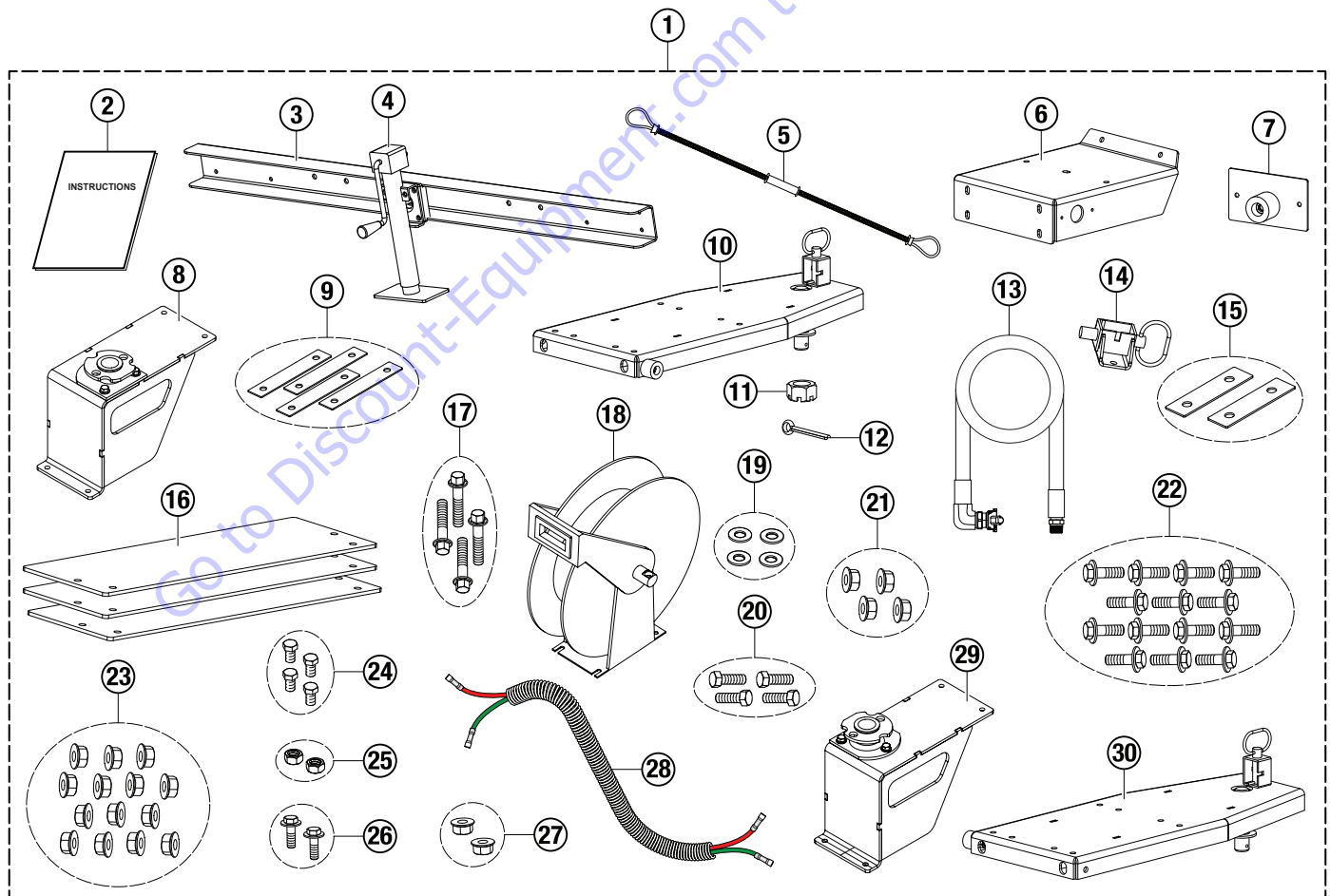


Figure 1. DIS185SSI4F Hose Reel Installation Kit

PARTS FINDER

**Search Website
by Part Number**



**Search Manual
Library For Parts
Manual & Lookup Part
Numbers – Purchase
or Request Quote**

Search Manuals

Enter your information to help us find the right manual or parts for your machine.

* Brand:

* Model:

* Serial:

* Part Number:

**Can't Find Part or
Manual? Request Help
by Manufacturer,
Model & Description**

Parts Order Form

Please fill in the following information:

Manufacturer:	<input type="text"/>
Model:	<input type="text"/>
Description:	<input type="text"/>
Part Number:	<input type="text"/>
Quantity:	<input type="text"/>
Unit Price:	<input type="text"/>
Total Price:	<input type="text"/>
Comments:	<input type="text"/>

Discount-Equipment.com is your online resource for quality parts & equipment.

Florida: **561-964-4949** Outside Florida TOLL FREE: **877-690-3101**

Need parts?

Click on this link: <http://www.discount-equipment.com/category/5443-parts/> and choose one of the options to help get the right parts and equipment you are looking for. Please have the machine model and serial number available in order to help us get you the correct parts. If you don't find the part on the website or on one of the online manuals, please fill out the request form and one of our experienced staff members will get back to you with a quote for the right part that your machine needs.

We sell worldwide for the brands: Genie, Terex, JLG, MultiQuip, Mikasa, Essick, Whiteman, Mayco, Toro Stone, Diamond Products, Generac Magnum, Airman, Haulotte, Barreto, Power Blanket, Nifty Lift, Atlas Copco, Chicago Pneumatic, Allmand, Miller Curber, Skyjack, Lull, Skytrak, Tsurumi, Husquvarna Target, , Stow, Wacker, Sakai, Mi-T- M, Sullair, Basic, Dynapac, MBW, Weber, Bartell, Bennar Newman, Haulotte, Ditch Runner, Menegotti, Morrison, Contec, Buddy, Crown, Edco, Wyco, Bomag, Laymor, Barreto, EZ Trench, Bil-Jax, F.S. Curtis, Gehl Pavers, Heli, Honda, ICS/PowerGrit, IHI, Partner, Imer, Clipper, MMD, Koshin, Rice, CH&E, General Equipment, ,AMida, Coleman, NAC, Gradall, Square Shooter, Kent, Stanley, Tamco, Toku, Hatz, Kohler, Robin, Wisconsin, Northrock, Oztec, Toker TK, Rol-Air, Small Line, Wanco, Yanmar

Table 1. DIS185SSI4F Hose Reel Installation Kit				
Item No.	Part No.	Description	Qty.	Remarks
1	MQPSINGLEREEL50	Reel Kit Assembly, DIS185 50', Right	1	Includes items 2–28
1	MQPDUALREEL50	Reel Kit Assembly, DIS185 Dual 50'	1	Includes items 2–30
2	EE60468	Work Instruction, Reel Kit, DIS185SSI4F	1	
3	59269	Bumper Assembly, Hose Reel Kit	1	
4	29479	Jack, Sidewind 10" Bolt-On, .5 Pin, Foot	1	
5	59274	Safety Cable Hose Whip 1/8 x 20"	1	Double qty. for dual kit
6	59234	Plate, Pivot Base Mt	1	Double qty. for dual kit
7	59267	Bump Stop Assembly, Rear	1	Double qty. for dual kit
8	59272	Pivot Base Assembly, Right	1	
9	59286	Shim, Pivot Plate Mt, .075 Thk	4	Double qty. for dual kit
10	59275	Reel Mount Assembly, Right	1	
11	EM968481	Nut, Hex Slotted, 1-14	1	Double qty. for dual kit
12	38709	Pin, Cotter 3/16 x 2"	1	Double qty. for dual kit
13	59265	Hose Assembly	1	Double qty. for dual kit
14	59251	Lock Pin Assembly	1	Double qty. for dual kit

Table 1. DIS185SSI4F Hose Reel Installation Kit (Continued)				
Item No.	Part No.	Description	Qty.	Remarks
15	59289	Shim, Lock Latch	2	Double qty. for dual kit
16	59290	Plate, Tongue Ballast, DIS185	2	Qty. of 3 in dual kit
17	42346	Bolt, HHFS, M8-1.25 x 40 mm	4	Includes items 19–20
18	59263	Reel, 3/4" x 50', Spring Return	1	Double qty. for dual kit
19	0447	Washer, Flat SAE, 1/2"	4	
20	5218	Bolt, HHC, 1/2-13 x 1-1/2"	4	
21	26328	Nut, HFS, 1/2"-13	4	
22	1023	Hex Flange Bolt 3/8-16 x 1-1/4"	14	Double qty. for dual kit
23	21781	Nut, HFS, 3/8"-16	14	Double qty. for dual kit
24	28922-083	Screw, HHC, M4-0.7 x 12 mm	4	Double qty. for dual kit
25	32664	Nut, Hex, M4	2	Double qty. for dual kit
26	36720	Screw, HHFS, 5/16-18 x 3/4" Gr5	2	Double qty. for dual kit
27	49071	Nut, HFS, 5/16"-18	2	Double qty. for dual kit
28	59291	2-Wire Extension Harness, Split Loom	1	Double qty. for dual kit
29	59273	Pivot Base Assembly, Left	1	For dual kit only
30	59276	Reel Mount Assembly, Left	1	For dual kit only

WORK SAFELY!

Only a **qualified service technician** with proper training should perform this installation. Follow all shop safety rules when performing this installation.

AIR COMPRESSOR SAFETY

DANGER

- **NEVER** operate the equipment in an explosive atmosphere or near combustible materials. An explosion or fire could result, causing **severe bodily harm or even death**.



WARNING

- **NEVER** disconnect any **emergency or safety devices**. These devices are intended for operator safety. Disconnection of these devices can cause **severe injury, bodily harm or even death**. Disconnection of any of these devices will void all warranties.

CAUTION

- **NEVER** lubricate components or attempt service on a running machine.
- Fuels, fluids, coolants, lubricants, and battery electrolyte used in the air compressor are typical of the industry. Care should be taken to avoid accidental ingestions and/or skin contact.
- Make sure the air pressure reads **zero** before performing any maintenance.

ENGINE SAFETY

CAUTION

- **NEVER** touch the hot exhaust manifold, muffler or cylinder. Allow these parts to cool before servicing the equipment.



BATTERY SAFETY

DANGER

- **DO NOT** expose the battery to open flames, sparks, cigarettes, etc. The battery contains combustible gases and liquids. If these gases or liquids come into contact with a flame or spark, an explosion could occur.



CAUTION

- **ALWAYS** disconnect the **NEGATIVE** battery terminal before performing service on the generator.

PREPARATION

1. Make sure the air compressor is turned **OFF** and the engine is cool.
2. Place the air compressor in an area free of dirt and debris. Make sure it is on secure level ground with chock blocks underneath each wheel to prevent it from rolling.

BATTERY DISCONNECTION

1. Open the battery-side cabinet door to access the battery (Figure 2).

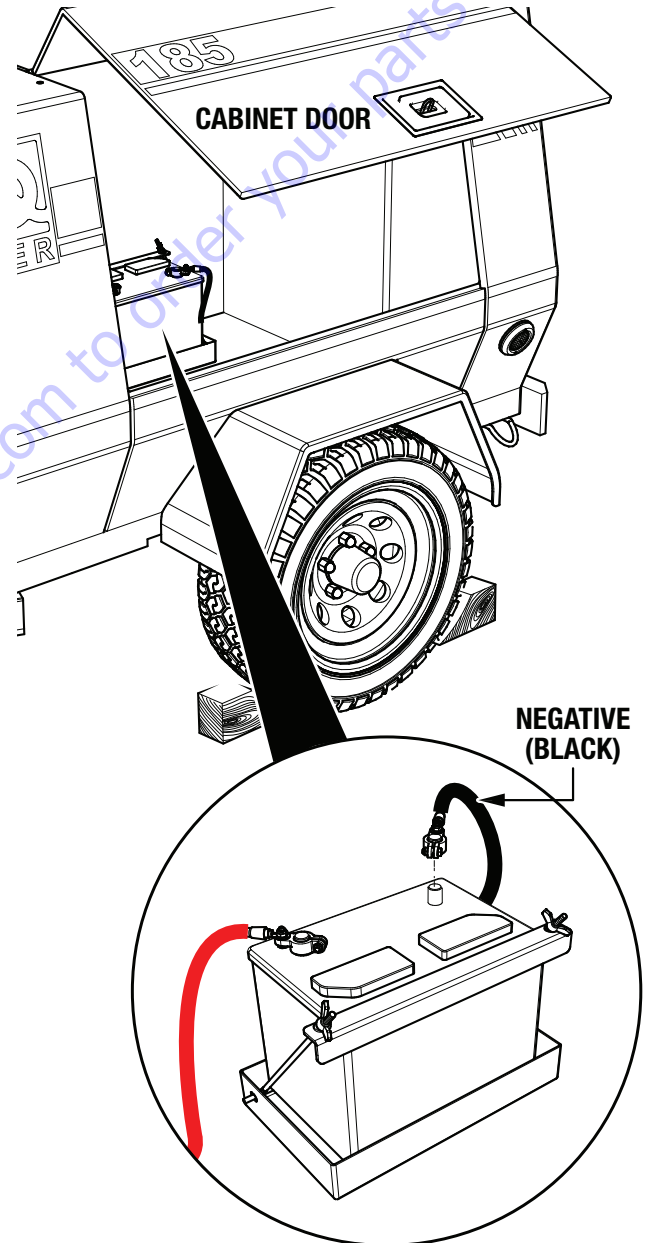


Figure 2. Battery Cable Disconnection

2. Disconnect the negative cable (**BLACK**) from the negative (-) terminal on the battery. See Figure 2.

DRAINING THE FUEL TANK

If there is fuel in the fuel tank, it must be drained before performing this installation.

1. Prepare a container (Figure 3) into which to drain the fuel.

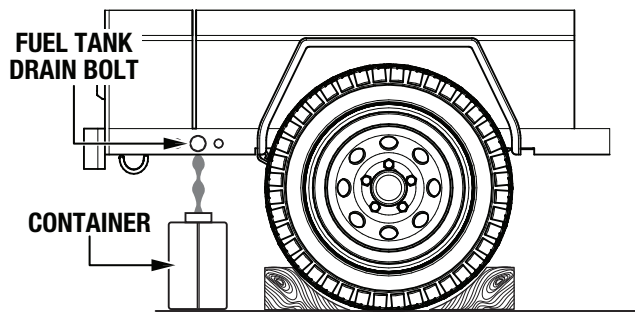


Figure 3. Draining the Fuel Tank

2. The fuel drain bolt (Figure 3) is located on the fuel tank side of the air compressor at the rear of the trailer frame. Loosen the bolt to allow any fuel inside the tank to drain into the container. Retighten the fuel drain bolt when finished.

NEW BUMPER INSTALLATION

1. The fuel tank base cover (Figure 4) must be loosened to allow access to the bumper hardware. Loosen the seven hex head bolts securing the fuel tank base cover to the frame. **DO NOT** remove the bolts nor the cover itself.

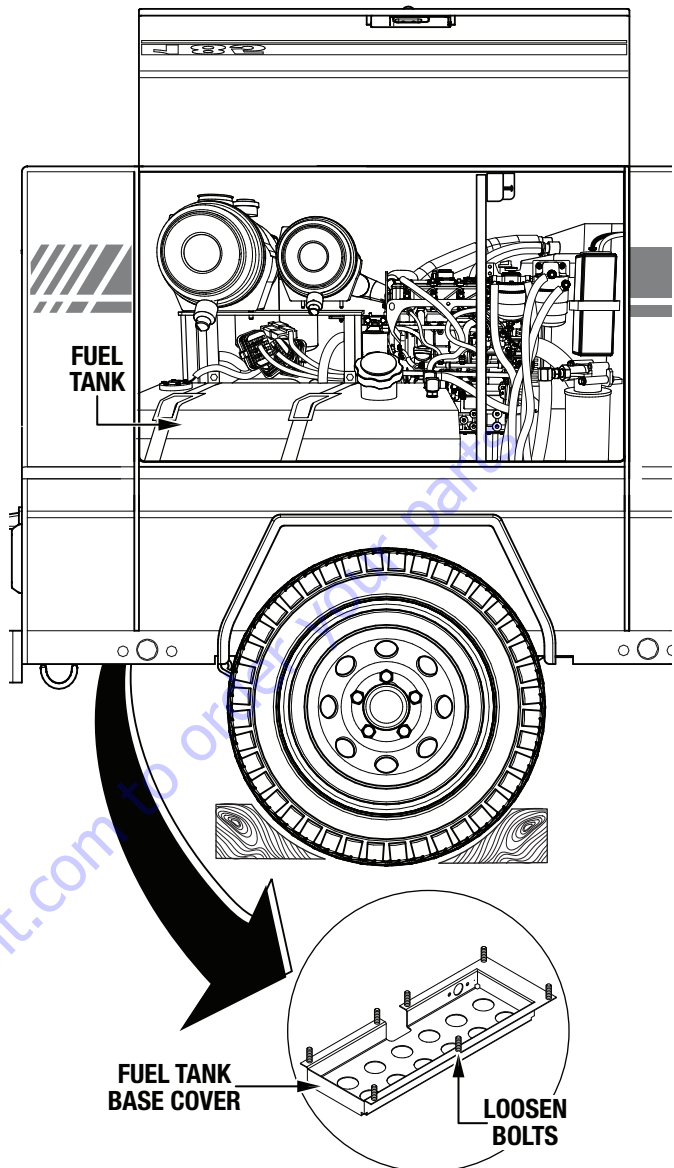


Figure 4. Fuel Tank Base Cover

2. Remove and discard the two hex head bolts securing the existing rear bumper (Figure 5) to the chassis. Discard the rear bumper.

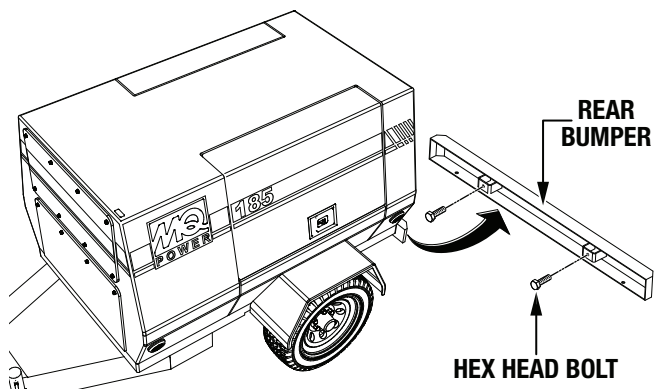


Figure 5. Rear Bumper Removal

- Secure the new bumper (P/N 59269) to the chassis with the four 1/2-13 x 1-1/2" hex head bolts (P/N 5218), flat washers (P/N 0447), and 1/2"-13 flange nuts (P/N 26328). See Figure 6.

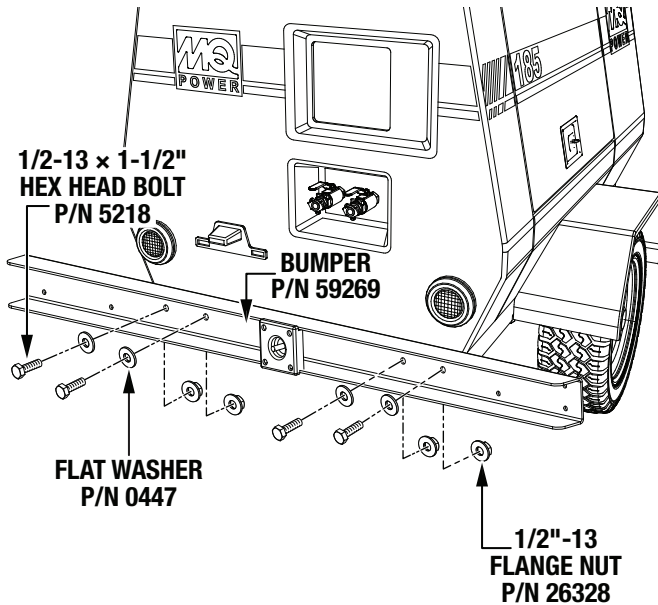


Figure 6. Bumper Installation

WIRING EXTENSION INSTALLATION

To install the wiring for this kit, the tail light **on the fuel tank side** of the air compressor must be removed.

- Remove by hand the rubber seal securing the tail light (Figure 7) **on the fuel tank side** of the air compressor. Disconnect the tail light and set it and the rubber seal aside.

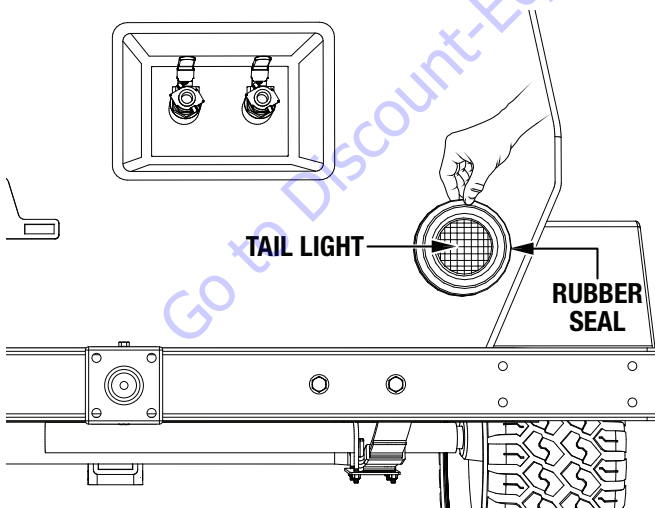


Figure 7. Tail Light Removal

- On the fuel tank side** of the air compressor, remove the two bolts securing the rear side marker lens (Figure 8) to the frame. Set the lens and foam backing aside and discard the bolts.

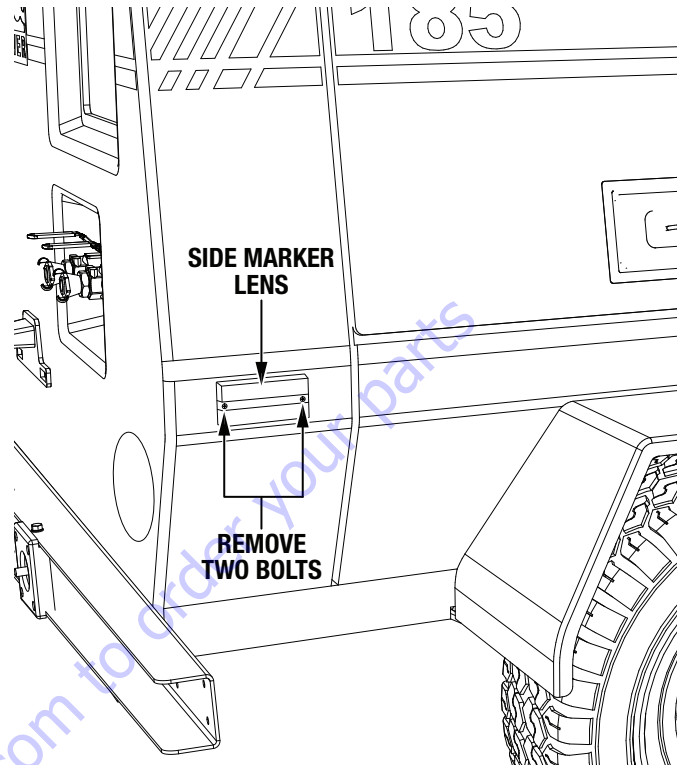


Figure 8. Side Marker Lens Removal

- Cut the two wires extending from the side marker light bulb socket as shown in Figure 9. Set the light bulb socket assembly aside for later.

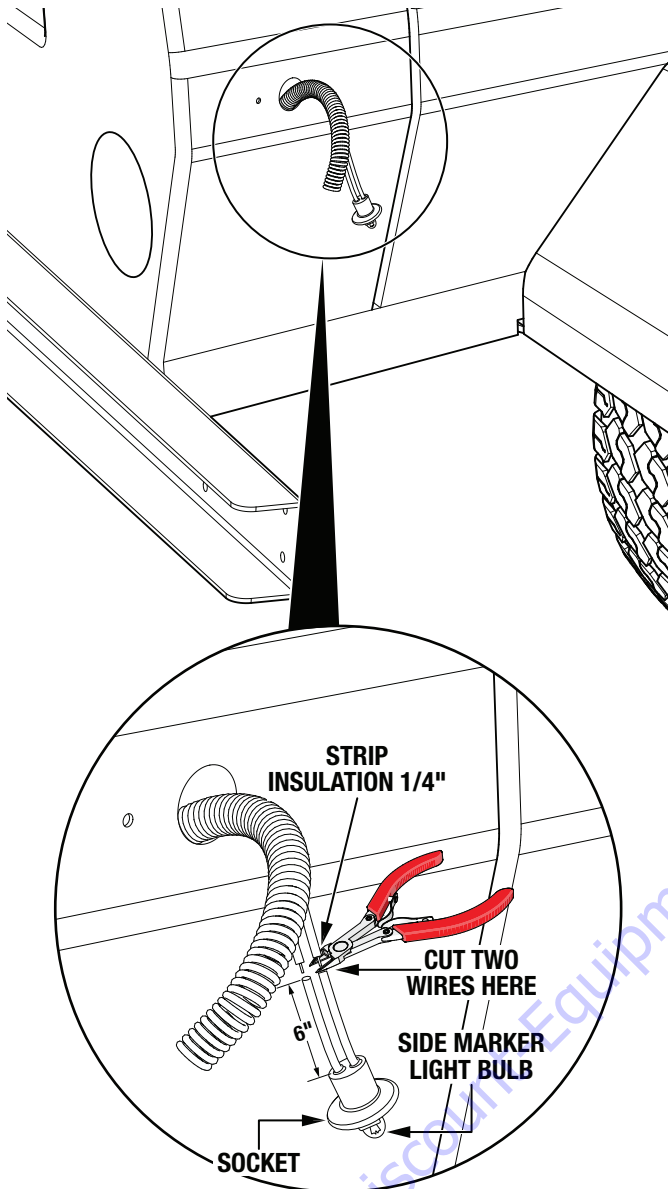


Figure 9. Side Marker Light Disconnection

- Strip the insulation back 1/4-inch (6 mm) from the end of the remaining wires to expose the conductors. See Figure 9.

- The wiring extension harness (P/N 59291) contains a red wire and a green wire. There are butt splice connectors crimped onto each end of both wires. See Figure 10.

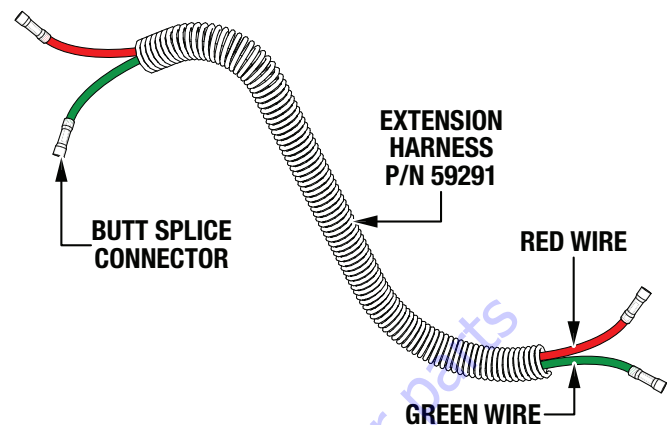


Figure 10. Wiring Extension Harness

- Insert the end of one of the stripped wires into one of the extension harness butt splice connectors (Figure 11) and crimp.

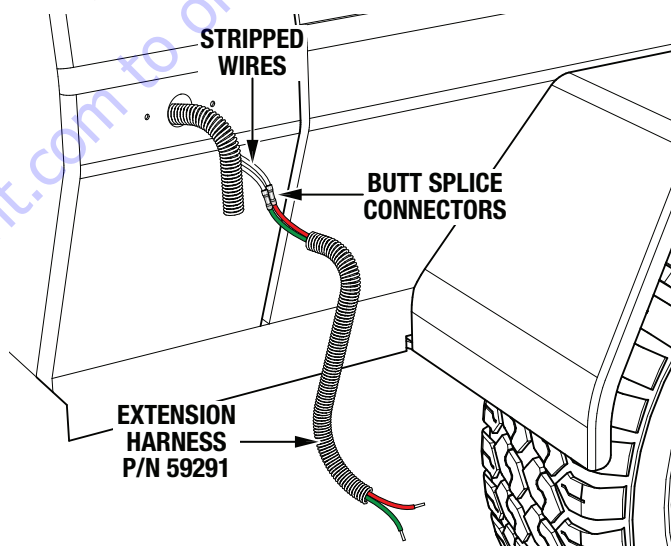


Figure 11. Wire Splicing

- Insert the end of the other stripped wire into the remaining butt splice connector on the same end of the extension harness (P/N 59291) and crimp. See Figure 11.
- Push the spliced wiring extension harness (P/N 59291) inside the cabinet through the side marker hole.
- If installing the dual hose reel kit (P/N MQPDUALREEL50), repeat steps #2–8 on the battery side of the air compressor. **DO NOT remove the battery-side tail light!** The battery-side electrical wiring can be accessed by opening the cabinet door.

BUMPER STOP INSTALLATION

1. On the fuel tank side of the air compressor, secure the bumper stop (P/N 59267) to the frame where the rear marker light was removed earlier with two M4-0.7 × 12 mm screws (P/N 28922-083). See Figure 12.

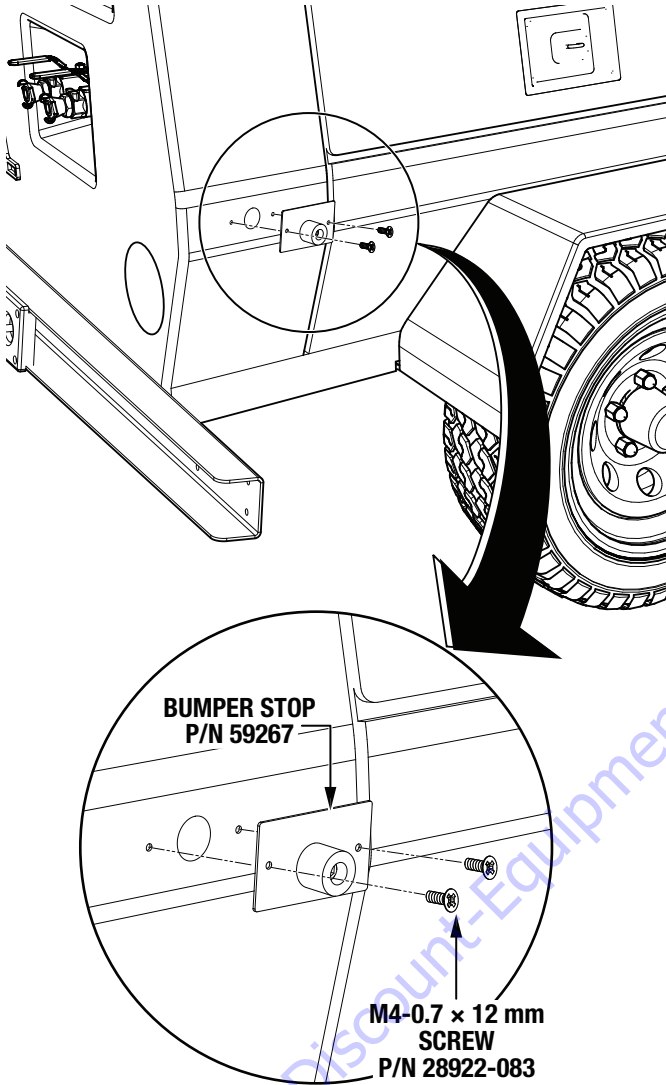


Figure 12. Bumper Stop Installation

2. If installing the dual hose reel kit (P/N MQPDUALREEL50), repeat step #1 on the battery side of the air compressor.

PIVOT BASE INSTALLATION

1. On the fuel tank side of the air compressor, drill a 3/4-inch hole into the side of the rear frame as shown in Figure 13.

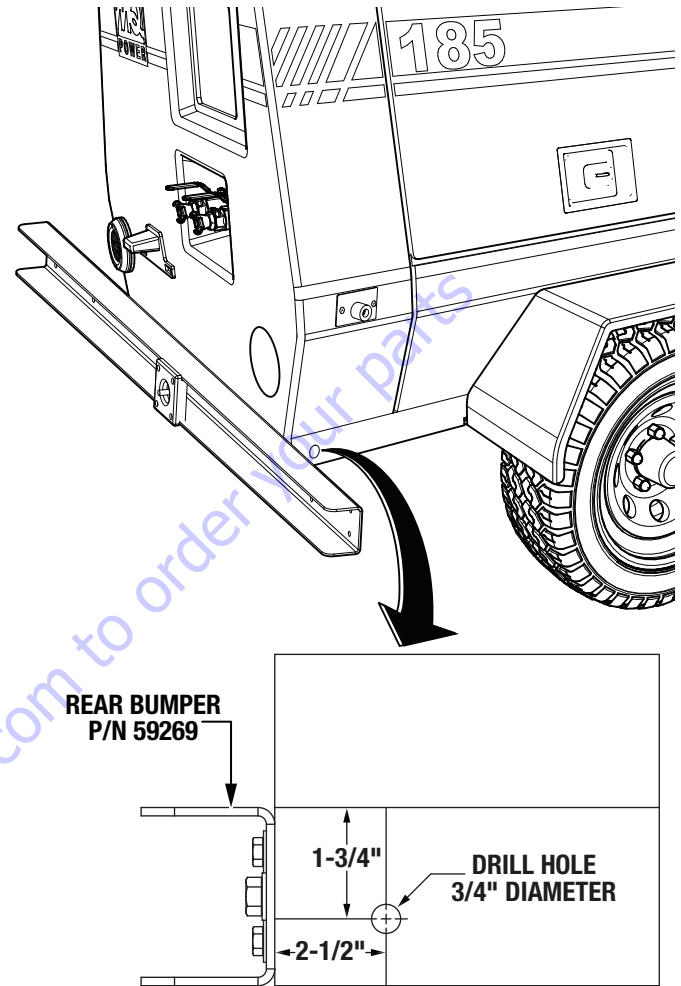


Figure 13. Drill Wiring Harness Hole

1. Secure the pivot base plate (P/N 59234) to the end of the bumper (P/N 59269) with four 3/8-16 x 1-1/4" hex flange bolts (P/N 1023) and four 3/8"-16 hex flange nuts (P/N 21781). See Figure 14.

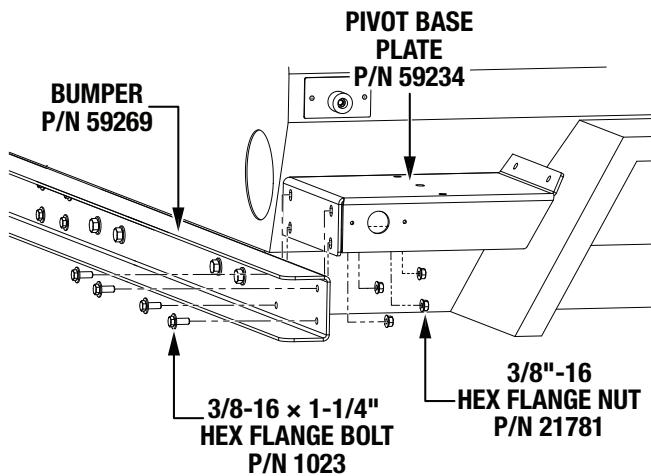


Figure 14. Pivot Base Plate Installation

2. Using the pivot base plate (P/N 59234) as a guide, drill two 13/32-inch holes into the fender. See Figure 15.

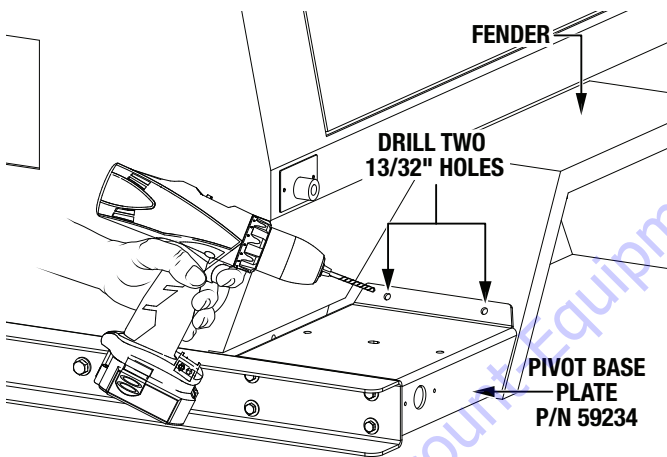


Figure 15. Drill Pivot Base Plate Holes

3. Insert two 3/8-16 x 1-1/4" hex flange bolts (P/N 1023) through the new holes in the fender with two 3/8"-16 hex flange nuts (P/N 21781), and tighten securely. See Figure 16.

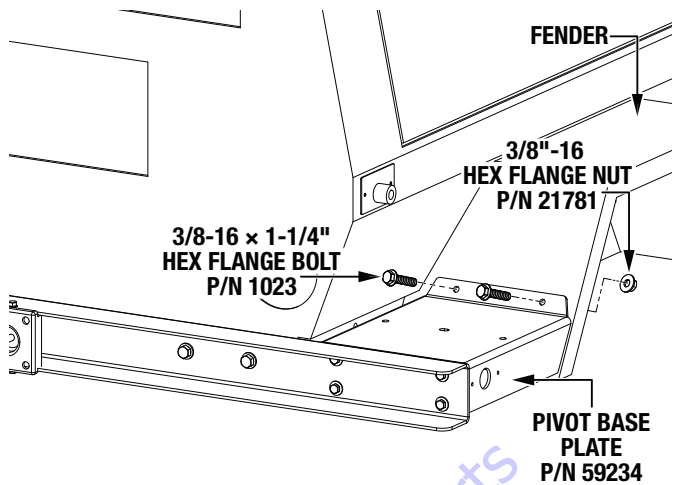


Figure 16. Secure Pivot Base Plate to Fender

4. Secure the right pivot base (P/N 59272) to the pivot base plate (P/N 59234) with two 3/8-16 x 1-1/4" hex flange bolts (P/N 1023) and two 3/8"-16 hex flange nuts (P/N 21781). Place pivot plate shims (P/N 59286) between the pivot base plate and pivot base as needed to keep the top of the base level with the top of the fender. See Figure 17.

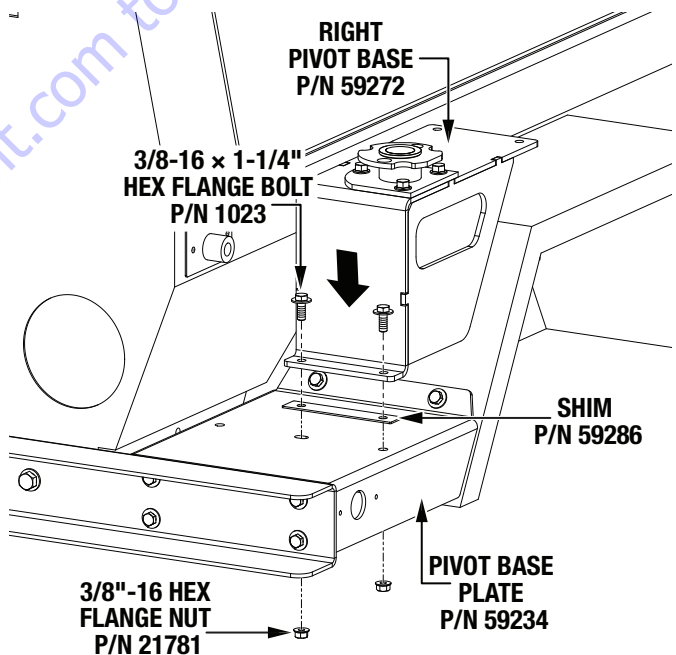


Figure 17. Pivot Base Installation

- Using the pivot base (P/N 59272) as a guide, drill two 13/32-inch holes into the top of the fender as shown in Figure 18.

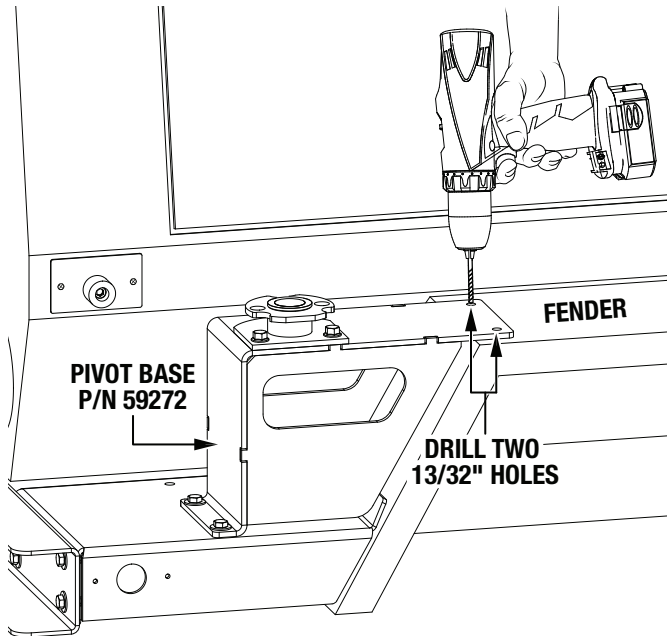


Figure 18. Drill Pivot Base Holes

- Insert two 3/8-16 x 1-1/4" hex flange bolts (P/N 1023) through the new holes in the fender with two 3/8"-16 hex flange nuts (P/N 21781), and tighten securely. See Figure 19.

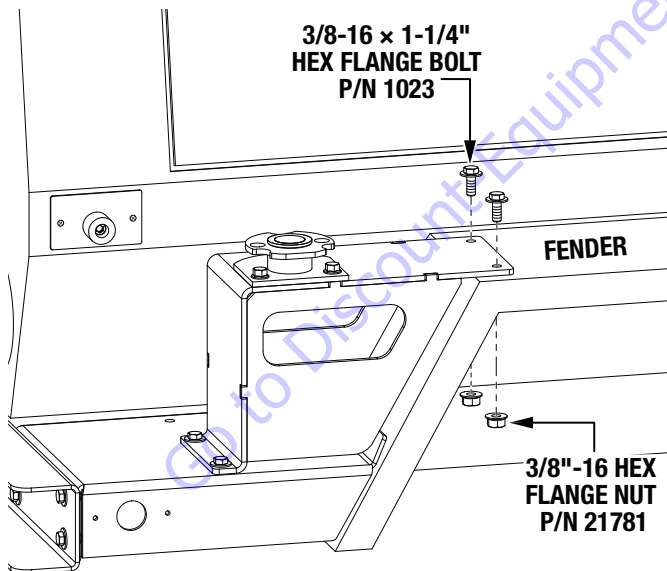


Figure 19. Secure Pivot Base to Fender

- If installing the dual hose reel kit (P/N MQPDUALREEL50), repeat steps #1–6 with the left pivot base (P/N 59273) on the battery side of the air compressor.

SIDE MARKER INSTALLATION

- Strip the insulation back 1/4-inch (6 mm) from the ends of the wires extending from the back of the side marker light bulb socket to expose the conductors. See Figure 20.

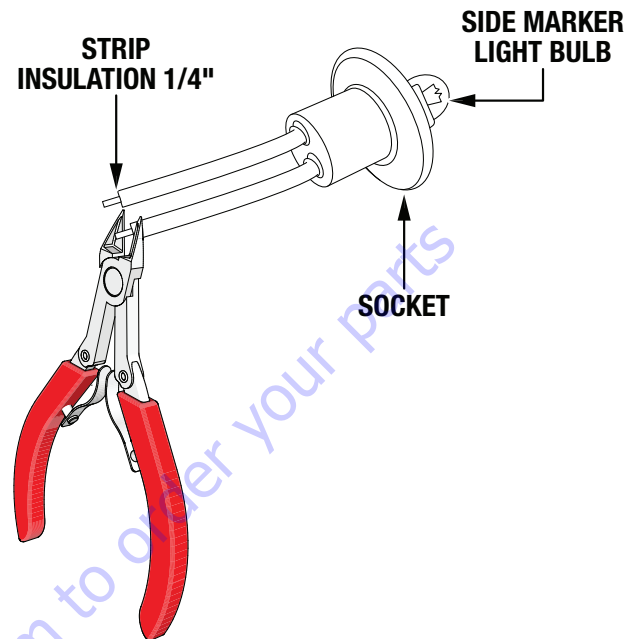


Figure 20. Strip Side Marker Wires

- From inside the frame, insert the spliced wiring extension harness (P/N 59291) through the newly drilled 3/4-inch hole in the frame so that it extends out of the pivot base plate hole as shown in Figure 21.

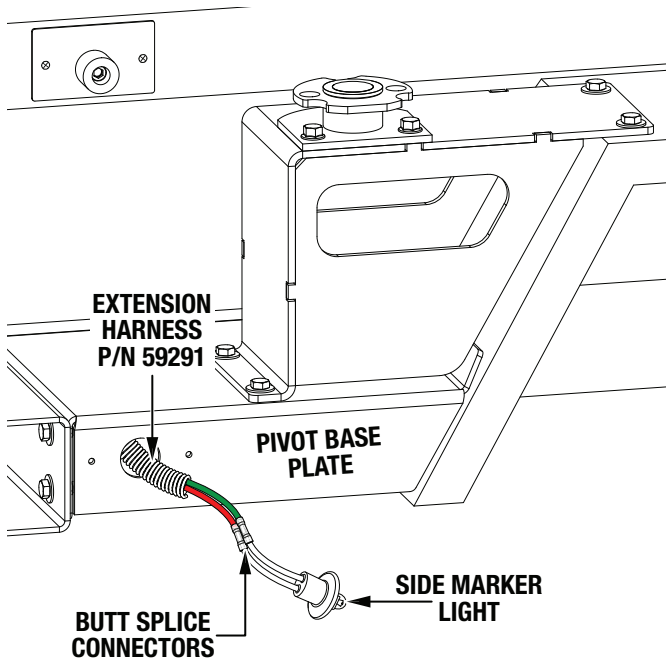


Figure 21. Side Marker Wiring Connection

- Insert the stripped end of one of the side marker wires into one of the extension harness butt splice connectors (Figure 21) and crimp.
- Insert the stripped end of the remaining side marker wire into the remaining extension harness butt splice connector (Figure 21) and crimp.
- Place the side marker light bulb socket into the hole in the pivot base plate (P/N 59234). Secure the side marker lens and foam backing to the pivot base plate with two M4-0.7 x 12 mm screws (P/N 28922-083) and two M4 hex nuts (P/N 32664). See Figure 22.

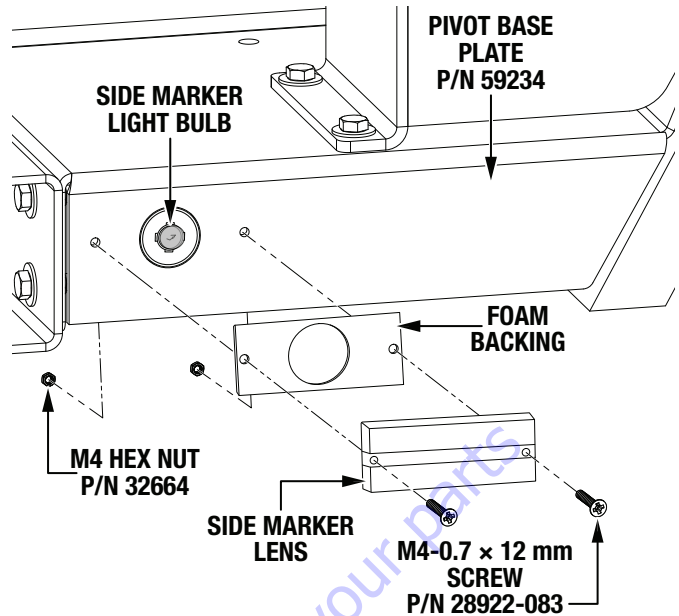


Figure 22. Side Marker Installation

- Reinstall the tail light and rubber seal on the fuel tank side of the air compressor.
- If installing the dual hose reel kit (P/N MQPDUALREEL50), repeat steps #1–5 on the battery side of the air compressor.

HOSE REEL INSTALLATION

- Insert the right reel mount (P/N 59275) into the pivot base (P/N 59272) as shown in Figure 23.

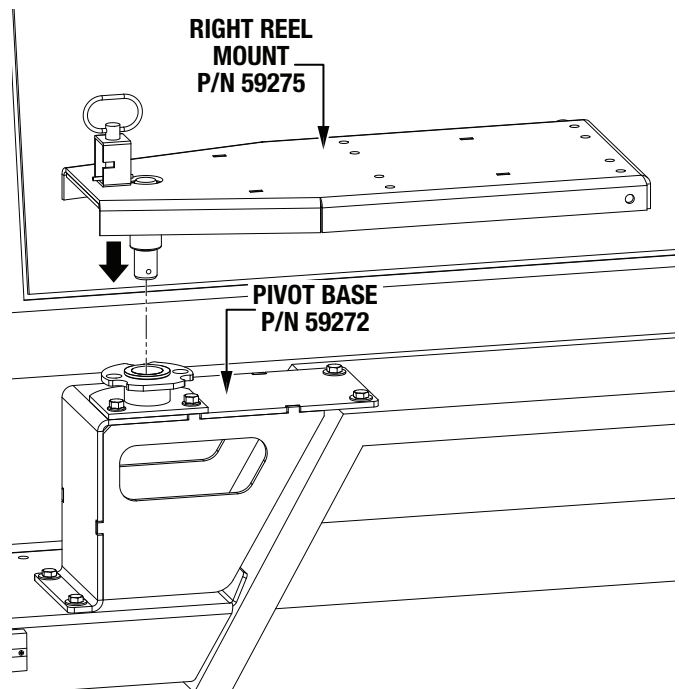


Figure 23. Reel Mount Installation

- Secure the right reel mount (P/N 59275) to the pivot base (P/N 59272) with the slotted hex nut (P/N EM968481) and 3/16 × 2" cotter pin (P/N 38709) as shown in Figure 24. Bend the cotter pin tines to lock it in place.

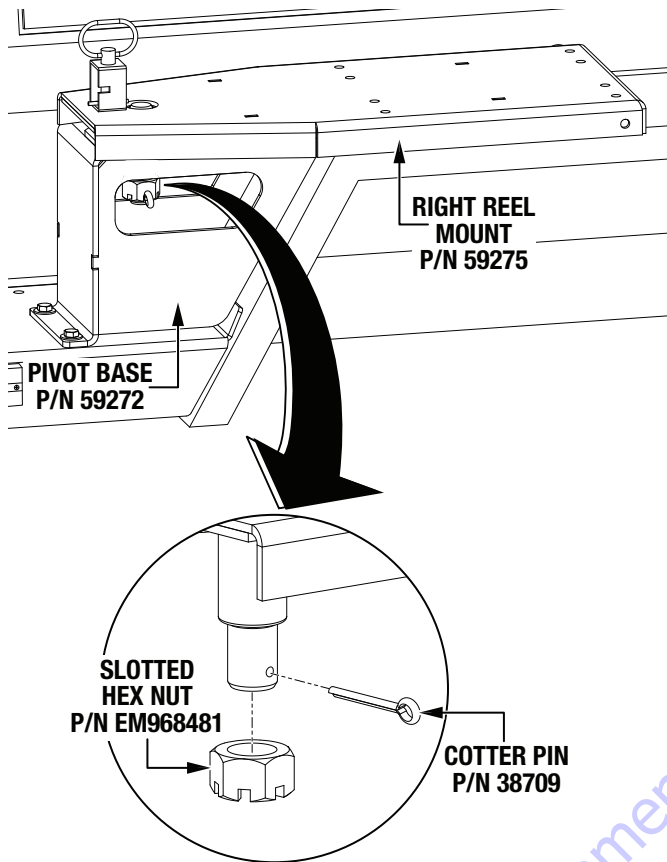


Figure 24. Secure Reel Mount to Pivot Base

- Place the reel mount lock latch (P/N 59251) onto the fender 9/16-inch from the end of the right reel mount (P/N 59275). Align the pin in the center of the reel mount lock latch with the hole in the reel mount. See Figure 25.

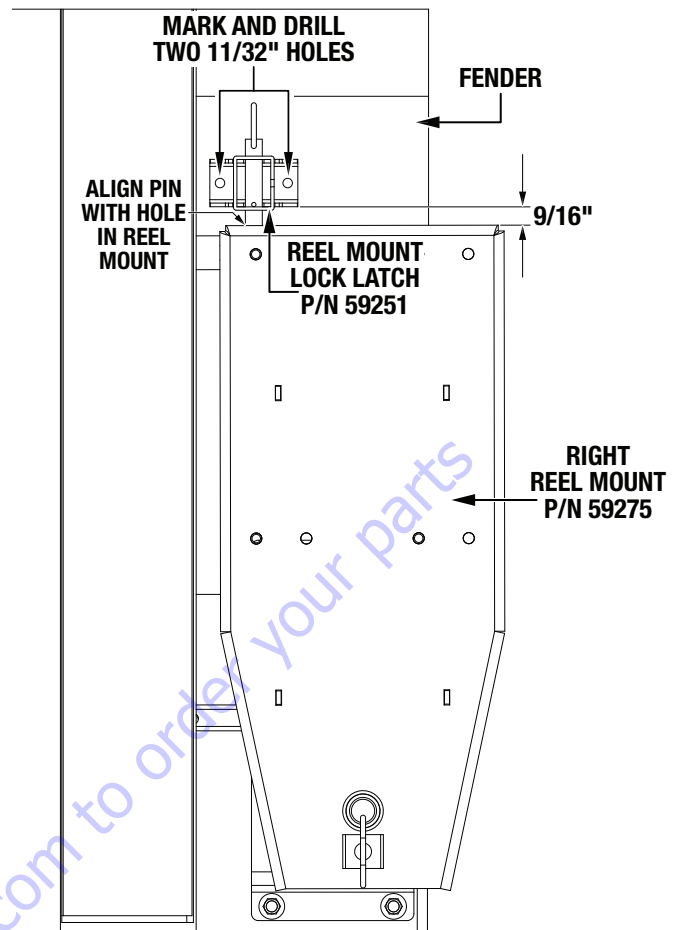


Figure 25. Drill Reel Mount Lock Latch Holes

- Make sure the reel mount (P/N 59275) swings out freely without hitting the reel mount lock latch (P/N 59251), then mark the two lock latch hole positions on the right fender with a scriber or equivalent tool. See Figure 25.
- Drill two 11/32-inch holes into the top of the fender (Figure 25).

- Secure the reel mount lock latch (P/N 59251) to the fender with the two 5/16-18 x 3/4" hex flange bolts (P/N 36720) and two 5/16"-18 hex flange nuts (P/N 49071). Place lock latch shims (P/N 59289) between the reel mount lock latch and fender as needed to keep the lock latch pin lined up with the hole in the right reel mount (P/N 59275). See Figure 26.

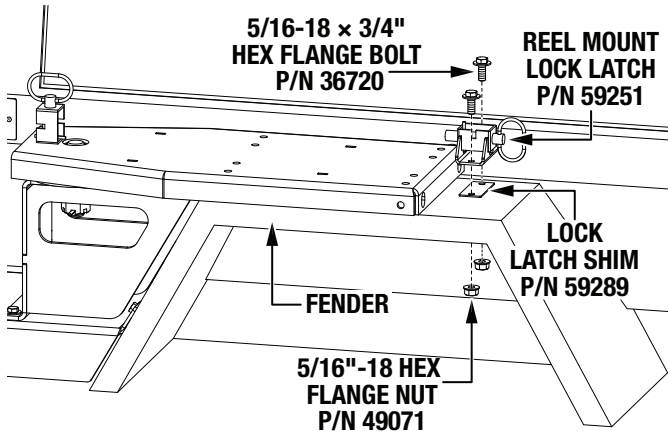


Figure 26. Reel Mount Lock Latch Installation

- Secure the hose reel (P/N 59263) to the right reel mount (P/N 59275) with four 3/8-16 x 1-1/4" hex flange bolts (P/N 1023) and four 3/8"-16 hex flange nuts (P/N 21781). See Figure 27.

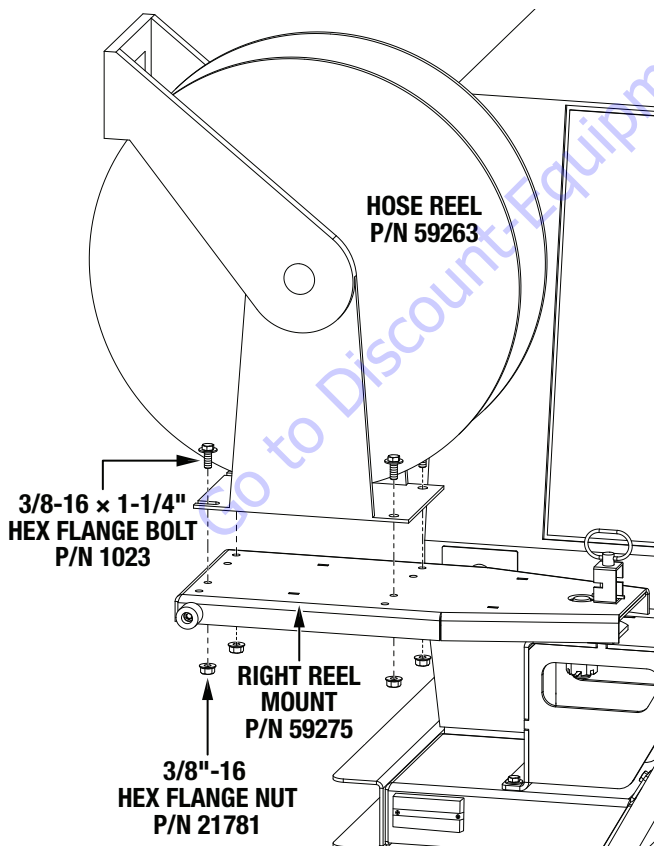


Figure 27. Hose Reel Installation

- If installing the dual hose reel kit (P/N MQPDUALREEL50), repeat steps #1–7 with the left reel mount (P/N 59276) on the battery side of the unit.
- Each hose reel (P/N 59263) includes a 3/4" swivel fitting. **On the fuel tank side** of the air compressor, place 1/2" thread sealant tape onto the male threads of the hose reel swivel fitting. See Figure 28.

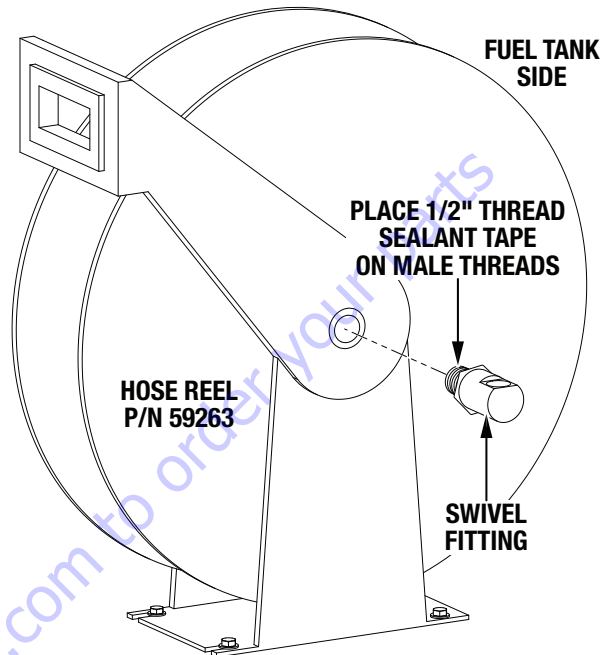


Figure 28. Swivel Fitting Installation (Fuel Tank Side)

- Insert the swivel fitting into the opening on the hose reel (P/N 59263) **on the fuel tank side** of the air compressor, and tighten it securely (Figure 28).

11. If installing the dual hose reel kit (P/N MQPDUALREEL50), remove the hex plug on the hose reel (P/N 59263) on the **battery side** of the air compressor. See Figure 29.

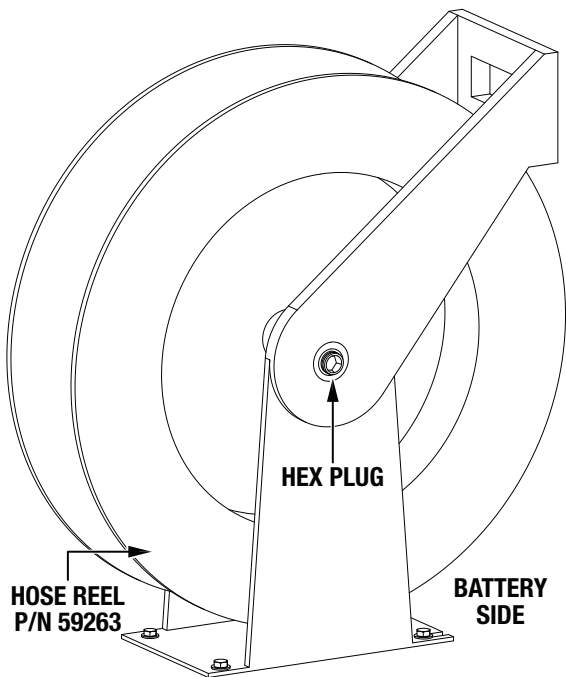


Figure 29. Hex Plug Removal (Battery Side)

12. Place 1/2" thread sealant tape onto the threads of the hex plug (Figure 30). Insert the hex plug into the opening on the opposite side of the **battery-side** hose reel (P/N 59263), and tighten it securely.

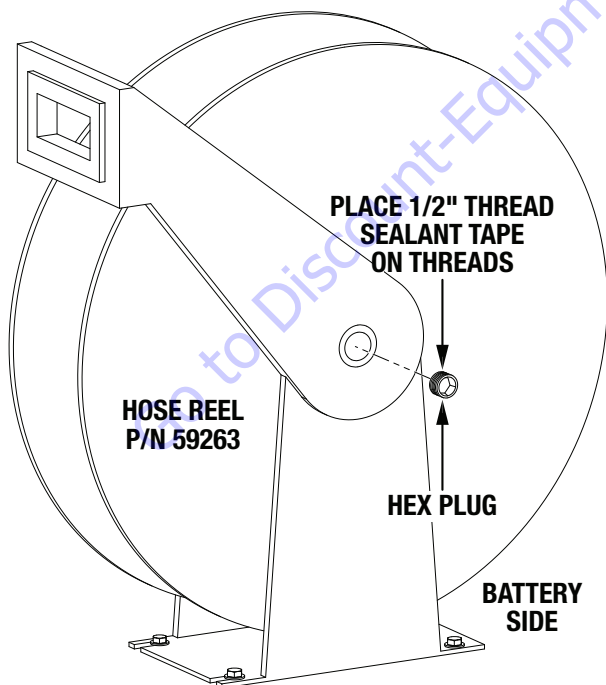


Figure 30. Hex Plug Installation (Battery Side)

13. Place 1/2" thread sealant tape onto the threads of the **battery-side** hose reel swivel fitting (Figure 31). Insert the swivel fitting into the opening on the **battery-side** hose reel (P/N 59263) and tighten it securely.

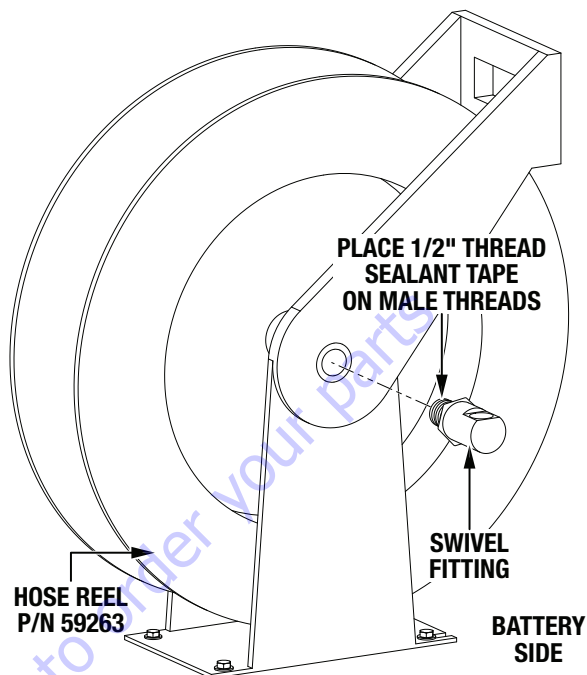


Figure 31. Swivel Fitting Installation (Battery Side)

HOSE INSTALLATION

1. Place 1/2" thread sealant tape onto the straight fitting on the hose (P/N 59265). See Figure 32.

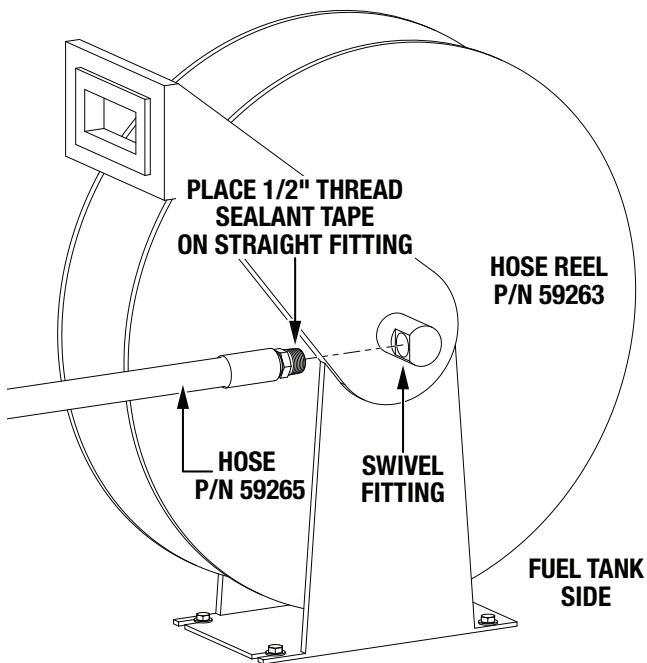


Figure 32. Connect Hose to Reel

2. On the fuel tank side of the air compressor, connect the straight fitting on the hose (P/N 59265) to the swivel fitting on the hose reel (P/N 59263), and tighten securely. See Figure 32.
3. Loop one end of the safety cable (P/N 59274) onto the right air output valve at the rear of the air compressor. See Figure 33.

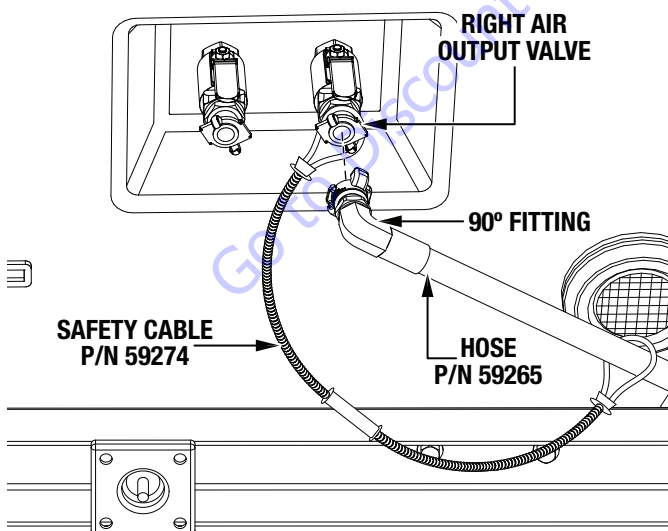


Figure 33. Connect Hose to Output Valve

4. Loop the other end of the safety cable (P/N 59274) onto the 90-degree fitting end of the hose (P/N 59265). See Figure 33.
5. Connect the 90-degree fitting on the hose (P/N 59265) to the right air output valve at the rear of the air compressor. See Figure 33.
6. If installing the dual hose reel kit (P/N MQPDUALREEL50), repeat steps #1–5 on the battery side of the unit.

JACK INSTALLATION

Secure the jack (P/N 29479) to the bumper (P/N 59269) with the included lock nut and spacer. See Figure 34.

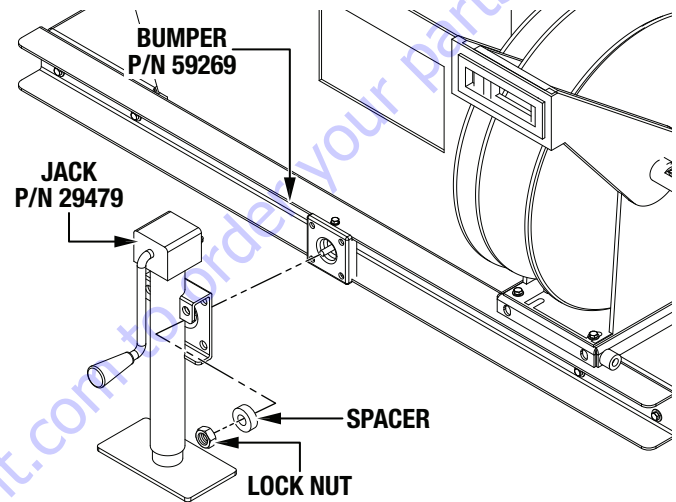


Figure 34. Jack Installation

BALLAST INSTALLATION

1. To open the storage compartment at the front of the air compressor, turn the storage compartment door thumb screws counterclockwise and open the door (Figure 35).

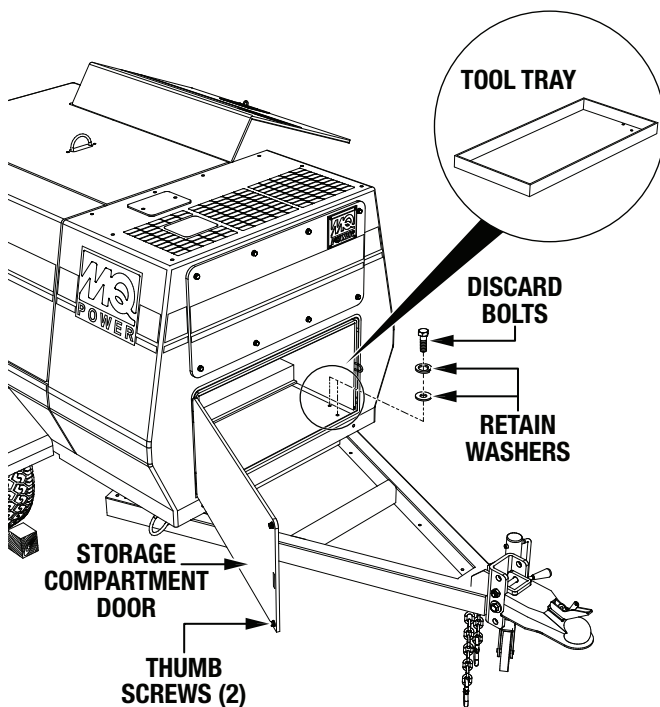


Figure 35. Tool Tray Removal

2. Remove the four bolts, lock washers, and flat washers securing the tool tray inside the storage compartment (Figure 35). Set the tool tray and washers aside, and discard the bolts.
3. If installing the single hose reel kit (P/N MQPSINGLEREEL50), place **two** ballast plates (P/N 59290) inside the storage compartment as shown in Figure 36. If installing the dual hose reel kit (P/N MQPDUALREEL50), place **three** ballast plates inside the storage compartment.

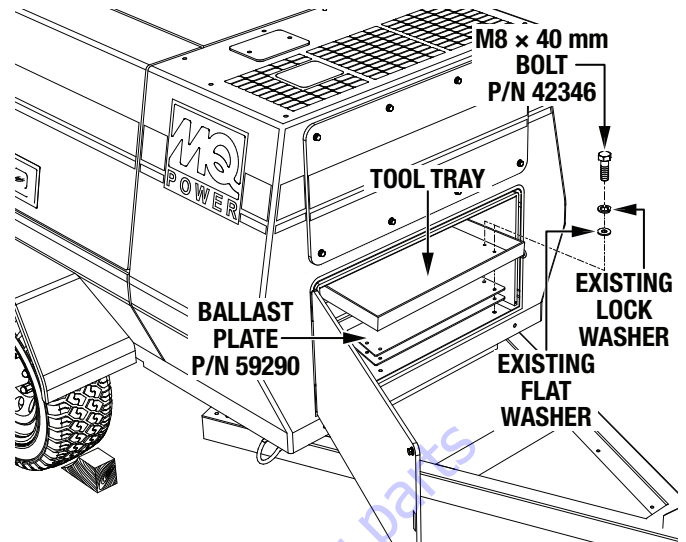


Figure 36. Ballast Plate Installation

4. Place the tool tray on top of the ballast plates (P/N 59290), and secure the tray and plates to the inside of the storage compartment with the four M8 x 40 mm bolts (P/N 42346) and the four lock washers and flat washers that were removed earlier. See Figure 36.

POST INSTALLATION

1. Tighten the seven hex head bolts securing the fuel tank base cover to the frame.
2. Make sure all fasteners are tightened securely.
3. Reconnect the negative cable (**BLACK**) to the negative (-) terminal on the battery.
4. Refill the fuel tank with diesel fuel.

PARTS FINDER

**Search Website
by Part Number**



**Search Manual
Library For Parts
Manual & Lookup Part
Numbers – Purchase
or Request Quote**

Search Manuals

Enter your information to search for manuals and parts.

* Brand:

* Model:

* Serial:

* Part Number:

SEARCH

**Can't Find Part or
Manual? Request Help
by Manufacturer,
Model & Description**

Parts Order Form

Please fill in the following information:

Manufacturer:

Model:

Description:

Quantity:

Part Number:

Part Name:

Part Description:

Part Location:

Part Condition:

Part Status:

Part Material:

Part Color:

Part Weight:

Part Dimensions:

Part Price:

Part Notes:

Submit

Discount-Equipment.com is your online resource for quality parts & equipment.

Florida: **561-964-4949** Outside Florida TOLL FREE: **877-690-3101**

Need parts?

Click on this link: <http://www.discount-equipment.com/category/5443-parts/> and choose one of the options to help get the right parts and equipment you are looking for. Please have the machine model and serial number available in order to help us get you the correct parts. If you don't find the part on the website or on once of the online manuals, please fill out the request form and one of our experienced staff members will get back to you with a quote for the right part that your machine needs.

We sell worldwide for the brands: Genie, Terex, JLG, MultiQuip, Mikasa, Essick, Whiteman, Mayco, Toro Stone, Diamond Products, Generac Magnum, Airman, Haulotte, Barreto, Power Blanket, Nifty Lift, Atlas Copco, Chicago Pneumatic, Allmand, Miller Curber, Skyjack, Lull, Skytrak, Tsurumi, Husquvarna Target, , Stow, Wacker, Sakai, Mi-T- M, Sullair, Basic, Dynapac, MBW, Weber, Bartell, Bennar Newman, Haulotte, Ditch Runner, Menegotti, Morrison, Contec, Buddy, Crown, Edco, Wyco, Bomag, Laymor, Barreto, EZ Trench, Bil-Jax, F.S. Curtis, Gehl Pavers, Heli, Honda, ICS/PowerGrit, IHI, Partner, Imer, Clipper, MMD, Koshin, Rice, CH&E, General Equipment, ,AMida, Coleman, NAC, Gradall, Square Shooter, Kent, Stanley, Tamco, Toku, Hatz, Kohler, Robin, Wisconsin, Northrock, Oztec, Toker TK, Rol-Air, Small Line, Wanco, Yanmar



DIS185SSI4F Air Compressor

Hose Reel Kit Installation Instructions



www.Discount-Equipment.com

Go to Discount-Equipment.com to order your parts

