



TEREX

Parts Manual

Serial Number Range

RL4

from SN RL412-101

Part No. 216241

Rev B19

November 2018



www.discount-equipment.com

Go to Discount-Equipment.com to order your parts

PARTS FINDER

**Search Website
by Part Number**



**Search Manual
Library For Parts
Manual & Lookup Part
Numbers – Purchase
or Request Quote**

Search Manuals

Enter your information to help us find the right parts manual for your machine.

* Brand:

* Model:

* Serial:

* Part Number:

SEARCH

**Can't Find Part or
Manual? Request Help
by Manufacturer,
Model & Description**

Parts Order Form

Please fill in the following information to help us find the right part for your machine.

Manufacturer:	<input type="text"/>
Model:	<input type="text"/>
Description:	<input type="text"/>
Part Number:	<input type="text"/>
Quantity:	<input type="text"/>
Notes:	<input type="text"/>

Discount-Equipment.com is your online resource for quality parts & equipment.

Florida: **561-964-4949** Outside Florida TOLL FREE: **877-690-3101**

Need parts?

Click on this link: <http://www.discount-equipment.com/category/5443-parts/> and choose one of the options to help get the right parts and equipment you are looking for. Please have the machine model and serial number available in order to help us get you the correct parts. If you don't find the part on the website or on one of the online manuals, please fill out the request form and one of our experienced staff members will get back to you with a quote for the right part that your machine needs.

We sell worldwide for the brands: Genie, Terex, JLG, MultiQuip, Mikasa, Essick, Whiteman, Mayco, Toro Stone, Diamond Products, Generac Magnum, Airman, Haulotte, Barreto, Power Blanket, Nifty Lift, Atlas Copco, Chicago Pneumatic, Allmand, Miller Curber, Skyjack, Lull, Skytrak, Tsurumi, Husquvarna Target, Stow, Wacker, Sakai, Mi-T-M, Sullair, Basic, Dynapac, MBW, Weber, Bartell, Bennar Newman, Haulotte, Ditch Runner, Menegotti, Morrison, Contec, Buddy, Crown, Edco, Wyco, Bomag, Laymor, EZ Trench, Bil-Jax, F.S. Curtis, Gehl Pavers, Heli, Honda, ICS/PowerGrit, IHI, Partner, Imer, Clipper, MMD, Koshin, Rice, CH&E, General Equipment, Amida, Coleman, NAC, Gradall, Square Shooter, Kent, Stanley, Tamco, Toku, Hatz, Kohler, Robin, Wisconsin, Northrock, Oztec, Toker TK, Rol-Air, APT, Wylie, Ingersoll Rand / Doosan, Innovatech, Con X, Ammann, Mecalac, Makinex, Smith Surface Prep, Small Line, Wanco, Yanmar

Technical Publications

Genie has endeavored to deliver the highest degree of accuracy possible. However, continuous improvement of our products is a Genie policy. Therefore, product specifications are subject to change without notice.

Readers are encouraged to notify Genie of errors and send in suggestions for improvement. All communications will be carefully considered for future printings of this and all other manuals.

Copyright © 2012 by Terex Corporation

216241 Rev B April 2014
First Edition, Second Printing

"Terex" is a registered trademark of Terex USA, LLC in the USA and many other countries.

 Printed on recycled paper

MANUFACTURED BY/FABRIQUE PAR:
 TEREX ROCK HILL
 590 Huey Road
 Rock Hill, SC 29732



DATE: FEBRUARY 2008

GVWR / PNBV 1,244 KG (2,743 LBS)

GAWR / PNBE 1,244 KG (2,743 LBS)

TIRES / PNEU 8T205/75D13 LOAD RANGE C

RIMS / JANTE 15.0 X 4,5 5H

COLD TIRES INFL/ 35 PSI / 250 KPA

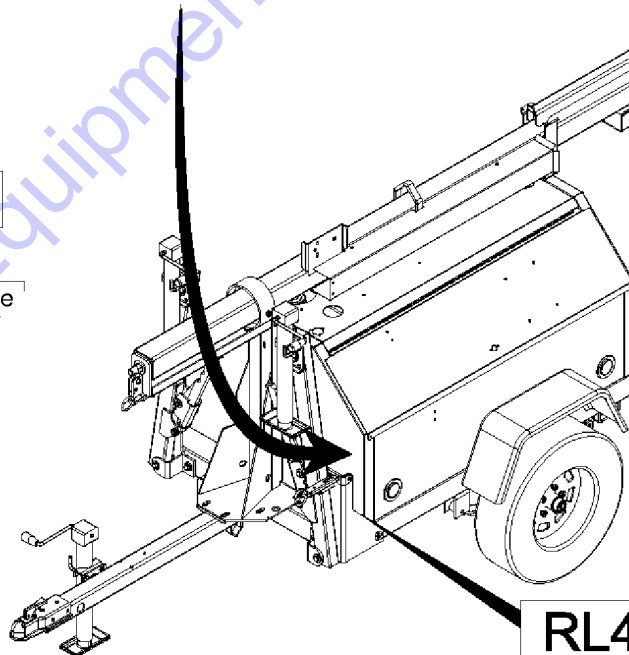
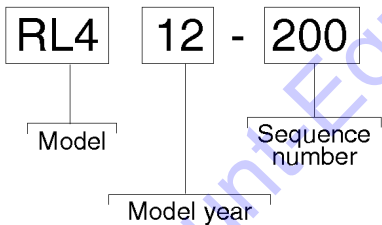
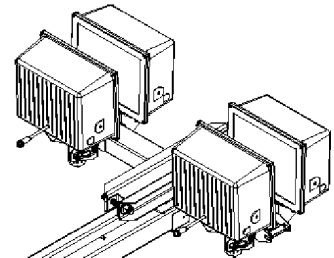
PRESS.DE GONFL. A FROID 'SINGLE'

THIS VEHICLE CONFORMS TO ALL APPLICABLE U.S. FEDERAL MOTOR VEHICLE SAFETY STANDARDS IN EFFECT ON THE DATE OF MANUFACTURE SHOWN ABOVE.

THIS VEHICLE CONFORMS TO ALL APPLICABLE STANDARDS PRESCRIBED UNDER THE CANADIAN MOTOR VEHICLE SAFETY REGULATIONS IN EFFECT ON THE DATE MANUFACTURE/
 CE VEHICULE EST CONFORME A TOUTES LES NORMES QUI LUI SONT APPLICABLES EN VERTU DU REGLEMENT SUR LA SECURITE DES VEHICULES AUTOMOBILES DU CANADA EN VIGUEUR A LA DATE DE SA FABRICATION

TYPE OF VEHICLE / TYPE DE VEHICULE: TRAILER/REMORQUE

MODEL: RL4000
 SERIAL NUMBER: RL408-1003
 MODEL YEAR: 2008



RL4XXXXX
 Serial number is stamped into frame.

Go to DiscountEquipment.com to order your parts

Table of Contents

This manual is updated frequently.

How to Read Your Serial Number.....	3
Parts Stocking List.....	7
How to Order Parts.....	8
Service Parts Fax Order Form.....	9

Electronic Version

Click on any page number to view the figure.

100 Decals

101.1 Decals with Words, Roadside.....	10
102.1 Decals with Words, Curbside.....	12
103.1 Decals with Words, Lights.....	14
104.1 Decals with Symbols, Roadside.....	16
105.1 Decals with Symbols, Curbside.....	18
106.1 Decals with Symbols, Lights.....	20

200 Chassis Components

201.1 Chassis.....	22
202.1 Fuel Tank and Hoses.....	24
202.2 Fuel Tank and Hoses (from SN RL414-11467).....	26
203.1 Axle.....	28
204.1 Hitches.....	30
205.1 Ballast Box Assembly.....	32
206.1 Cabinet.....	34
206.1 Cabinet (from SN RL413-6092 to RL414-10859).....	36
206.2 Cabinet (from SN RL414-10860).....	38
207.1 Winch.....	40

300 Engine and Generator Components

301.1 Kubota D1105-E3BG, View 1.....	42
302.1 Kubota D1105-E3BG, View 2.....	44
303.1 Kubota D1105-E3BG, View 3.....	46
304.1 Kubota D1105-E3BG, View 4.....	48
305.1 Perkins 403D-11G, View 1.....	50
306.2 Perkins 403D-11G, View 2 (from serial number RL4011-4236).....	52
307.1 Generators.....	54

400 Electrical Components

401.1 Control Box, 60HZ, View 1 (from SN RL413-6092 to RL415-12444).....	56
401.2 Control Box, 60HZ, View 1 (from RL415-12445).....	58
402.1 Control Box, 60HZ, View 2 (from SN RL413-6092 to RL415-12444).....	60
402.2 Control Box, 60HZ, View 2 (from RL415-12445).....	62
403.1 Control Box, 50HZ, View 1 (from SN RL413-6092 to RL415-12444).....	64
403.2 Control Box, 50HZ, View 1 (from RL415-12445).....	66
404.1 Control Box, 50HZ, View 2 (from SN RL413-6092 to RL415-12444).....	68
404.2 Control Box, 50HZ, View 2 (from RL415-12445).....	70
405.1 Electrical Wiring and Power Cables.....	72

500 Mast Components

501.1 Mast Assembly and Winch Cable Routing (to SN RL413-6832).....	74
501.2 Mast Assembly and Winch Cable Routing (from SN RL413-6833).....	76
502.1 Mast Components (to SN RL413-6832).....	78
502.2 Mast Components (from SN RL413-6833).....	80
503.1 Upper Mast Components (to SN RL413-6832).....	82
503.2 Upper Mast Components (from SN RL413-6833).....	84
504.1 Light Assembly, 19" Round.....	86
504.2 Light Assembly, 16" Round.....	88
505.1 Light Assembly, Square.....	90

600 Accessories

601.1 Safety and Convenience.....	92
602.1 Engine Options.....	94

Indices

Part Number Index.....	96
Part Description Index.....	99

Cross References

Required Parts

The following parts are required to perform maintenance procedures as outlined in the Terex RL4000 and TML-4000 Service information.

Kubota D1105-D3BG

Description	Part No.
Dielectric Grease	66399
Air Filter Element	866127
Engine Oil Filter	866050
Fuel Filter Element	839200
In-line Fuel Filter	740620
V-Belt	839209
Lower Radiator Hose	839110
Upper Radiator Hose	839109
Hose Clamp, Upper Radiator Hose	32185
Fuel Return Hose, 1/8"	890785@63"
Hose, Fuel Filter to Fuel Pump, 5/16"	890795@19"
Fuel Hose, Fuel Pump to in-Line Filter	890795@29"
Fuel Hose, in-line Filter to Fuel Tank	890795@16"
Fuel Hose, Tank Equalization	890795@42"
Fuel Hose, Fuel Filter to Injector Pump	890795@15"
Hose Clamp, 5/16" Fuel Line	898590

Perkins 403D-11 Models:

Description	Part No.
Dielectric Grease	66399
Air Filter Element	866068
Fuel Filter	62421
Engine Oil Filter	85069
V-belt	237710
Manual, Workshop, 403D	131662
Manual, Operators, Perkins 403D	131661
Fuel Return Hose, 1/8"	890785@63"
Hose, Fuel Leak-off	237707
Fuel Hose, Fuel Filter to Primer Pump	890795@30"
Fuel Hose, Primer Pump to Fuel Tank	890795@45"
Fuel Hose, Tank Equalization	890795@42"
Fuel Hose, Fuel Filter to Injector Pump	236046
Hose Clamp, 5/16" Fuel Line	898590

Description	Part No.
Kit: Upper Cable Assembly	CU61A025
Kit: Lower Cable Assembly	CU61A035
Kit: Mast Tilt Cable Assembly	CU63B054

Recommended Parts

Description	Part No.
Mechanical Jack	841430
Snap Ring, Mechanical Jack	840222
Latch, Outrigger (RL)	51600200
Grease Seal Bearing	C82100102
Cotter Pin, Axle	7604

Control Box, 60 Hz

Relay, 12V 30A	R661490
Breaker, 15A	T113641
Breaker, 20A	T113642
Breaker, 30A	T113644

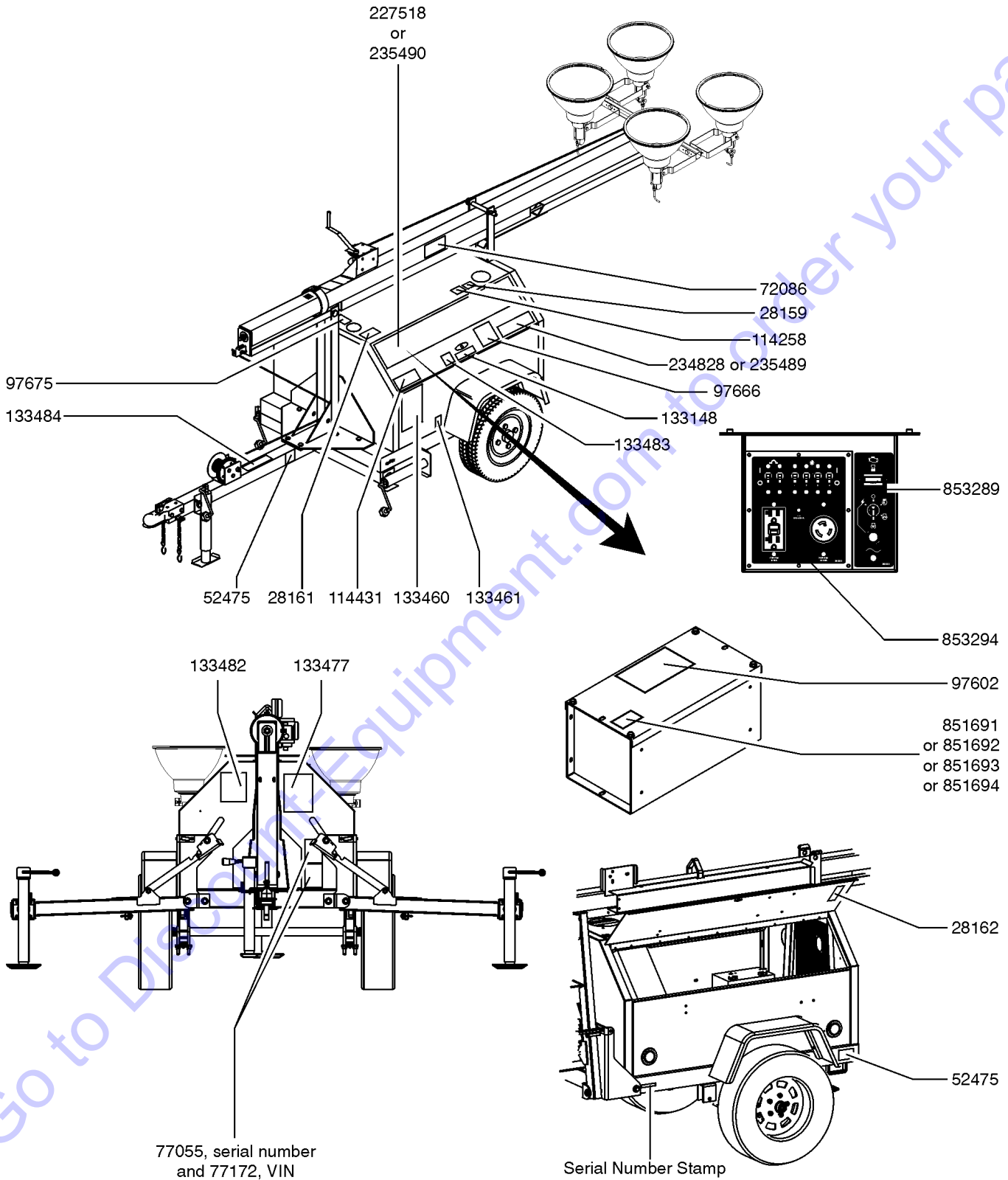
Control Box, 50 Hz

Relay, 12V 30A	R661490
Breaker, 15A	683870
Breaker, 20A	683970
Breaker, 30A	T113644

Generator

Capacitor, 6kW	58356
Capacitor, 7.5 kW	85207
Capacitor, 8 kW	229457
Diode (all generators)	836853
Surge Protector (all generators)	836856

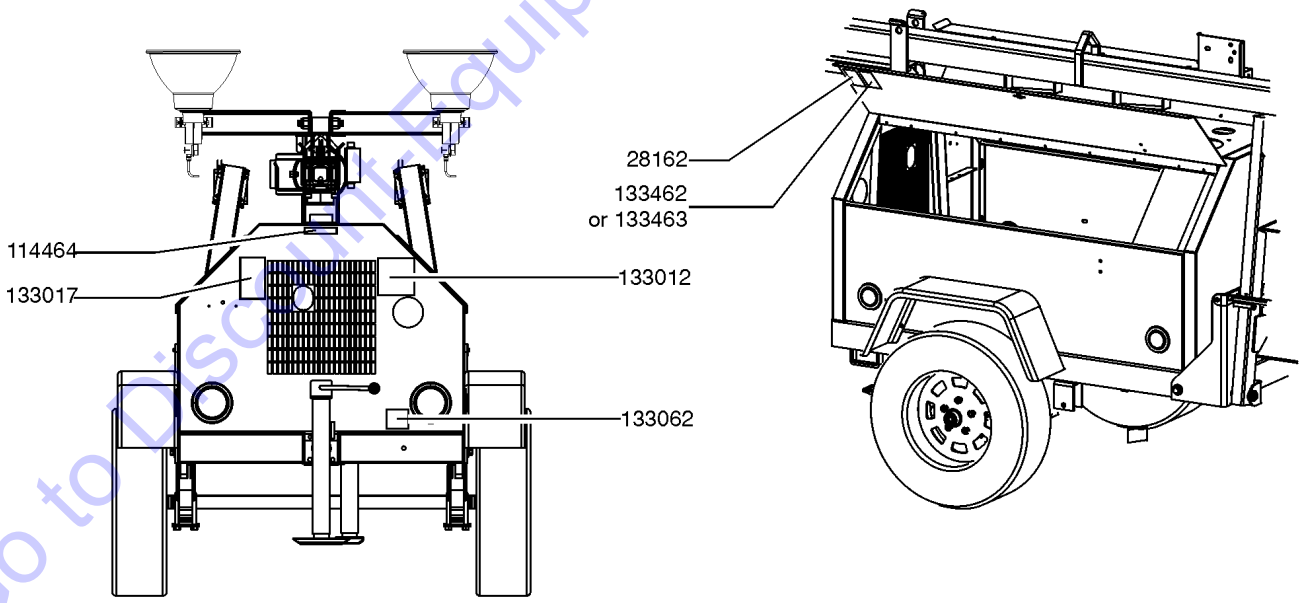
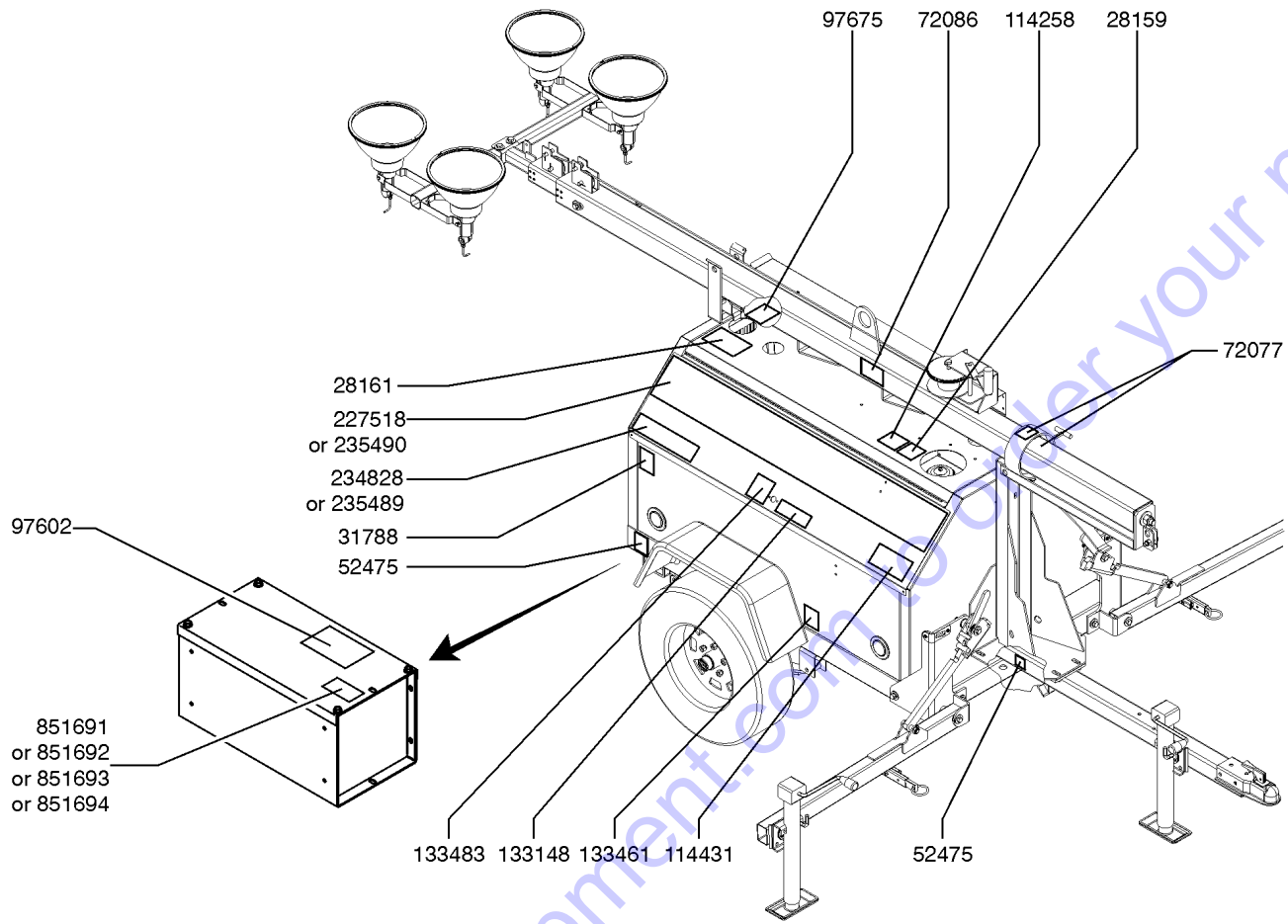
101.1 Decals with Words, Roadside



101.1 Decals with Words, Roadside

Item	Part No.	Description	Qty.
--	216590GT	DECAL KIT, WORD, RL4 (from RL412-101)	
1	28159GT	DECAL,DIESEL.....	1
2	28161GT	DECAL,WARN,CRUSH HAZARD HAND.....	1
3	28162GT	DECAL,WARNING,CRUSHING.....	2
4	52475GT	DECAL,LABEL,TRANSPORT TIEDOWN*.....	4
5	72086GT	DECAL,LABEL,LIFTING EYE.....	1
6	77172GT	LABEL,BLANK,4X5,CHROME POLY***..... (to order, call Genie Parts and Service Department with model and serial number of unit)	1
7	77055GT	SERIAL LABEL,BLANK,4X8,CHROME*..... (This is a blank label. Contact Service Parts to order; the model and serial number of the machine will be required.)	1
--	77183GT	FILM,POLY,CLEAR,4.5 X 8.75.....	1
8	97602GT	DECAL,EXPLOSION HAZARD.....	2
9	97666GT	DECAL,WARN,READ MANUAL.....	1
10	97675GT	DECAL,WARN,EXPLSION/BURN HAZ.....	1
11	114258GT	DECAL,DANGER,NO SMOKING.....	1
12	114431GT	DECAL,DANGER,ELECTROCUTION HZD.....	2
13	133148GT	DECAL,DANGER,HAZARD VOLTAGE...3	
14	133460GT	DECAL,OPERATING INSTRUCTIONS...1	
15	133461GT	DECAL,TIRE SPECIFICATION.....	2
16	133477GT	DECAL,WARNING COLLISION HAZ.....	1
17	133482GT	DECAL,WARNING TIP-OVER HAZ.....	1
18	133483GT	DECAL,WARNING BURN HAZ.....	2
19	133484GT	DECAL,WARNING TOW SPEED.....	1
20	227518GT	DECAL,COSMETIC TEREX,AL4,AL4L...2	
21	234828GT	DECAL, COSMETIC, RL4.....	1
22	235489GT	COSMETIC DECAL, BLACK/WHT RL4...1	
23	235490GT	DECAL,COSMETIC, GENIE LOGO.....	1
24	851691GT	DECAL- 1 (10/CARD BRADY.....)	1
25	851692GT	DECAL- 2 (10/CARD BRADY.....)	1
26	851693GT	DECAL- 3 (10/CARD BRADY.....)	1
27	851694GT	DECAL - 4 (10/CARD BRADY.....)	1
28	853289GT	DECAL, AL/RL CONTROL BOX DC.....	1
29	853294GT	DECAL,AL/RL,CONTROL BOX,AC.....	1

102.1 Decals with Words, Curbside

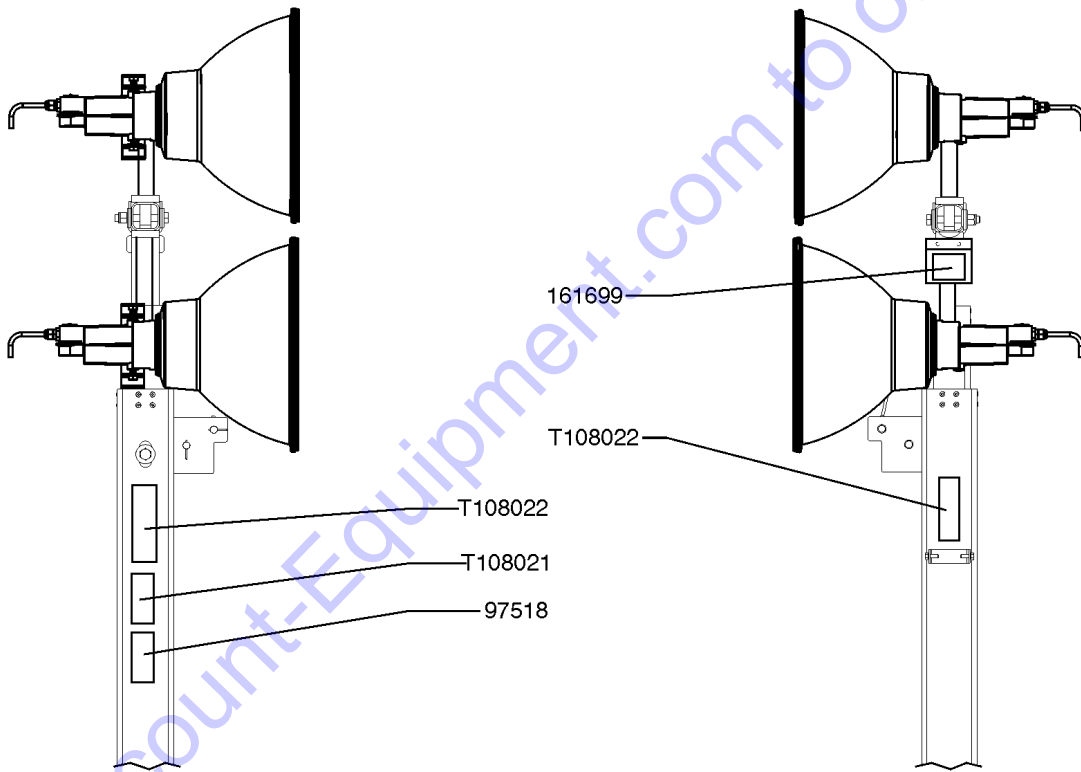


102.1 Decals with Words, Curbside

Item	Part No.	Description	Qty.
--		DECAL KIT,WORD,COMPLETE <i>refer to 101.1</i>	
1	28159GT	DECAL,DIESEL.....	1
2	28161GT	DECAL,WARN,CRUSH HAZARD HAND.....	1
3	28162GT	DECAL,WARNING,CRUSHING.....	2
4	31788GT	DECAL,DANGER,BATTERY SAFETY***.....	1
5	52475GT	DECAL,LABEL,TRANSPORT TIEDOWN*.....	4
6	72077GT	DECAL,LABEL,ARROW.....	1
7	72086GT	DECAL,LABEL,LIFTING EYE.....	1
8	97602GT	DECAL,EXPLOSION HAZARD.....	2
9	97675GT	DECAL,WARN,EXPLSION/BURN HAZ...	1
10	114258GT	DECAL,DANGER,NO SMOKING.....	1
11	114431GT	DECAL,DANGER,ELECTROCUTION HZD.....	2
12	114464GT	LABEL,TRAVEL LOCK.....	1
13	133012GT	DECAL,DANGER-BURN/CO HAZARD...	1
14	133017GT	DECAL,WARNING,CRUSH HZD,TOWER.....	1
15	133062GT	Decal, Label, Ground.....	1
16	133148GT	DECAL,DANGER,HAZARD VOLTAGE...	3
17	133461GT	DECAL,TIRE SPECIFICATION.....	2
18	133462GT	DECAL,PERKINS ENGINE SPECS.....	1
19	133463GT	DECAL,KUBOTA ENGINE SPECS.....	1
20	133483GT	DECAL,WARNING BURN HAZ.....	2
21	227518GT	DECAL,COSMETIC TEREX,AL4,AL4L...	2
22	234828GT	DECAL, COSMETIC, RL4.....	2
23	235489GT	COSMETIC DECAL, BLACK/WHT RL4...	2
24	235490GT	DECAL,COSMETIC, GENIE LOGO.....	2
25	851691GT	DECAL- 1 (10/CARD BRADY.....	1
26	851692GT	DECAL- 2 (10/CARD BRADY.....	1
27	851693GT	DECAL- 3 (10/CARD BRADY.....	1
28	851694GT	DECAL - 4 (10/CARD BRADY.....	1

Go to www.terex.com to order your parts

103.1 Decals with Words, Lights



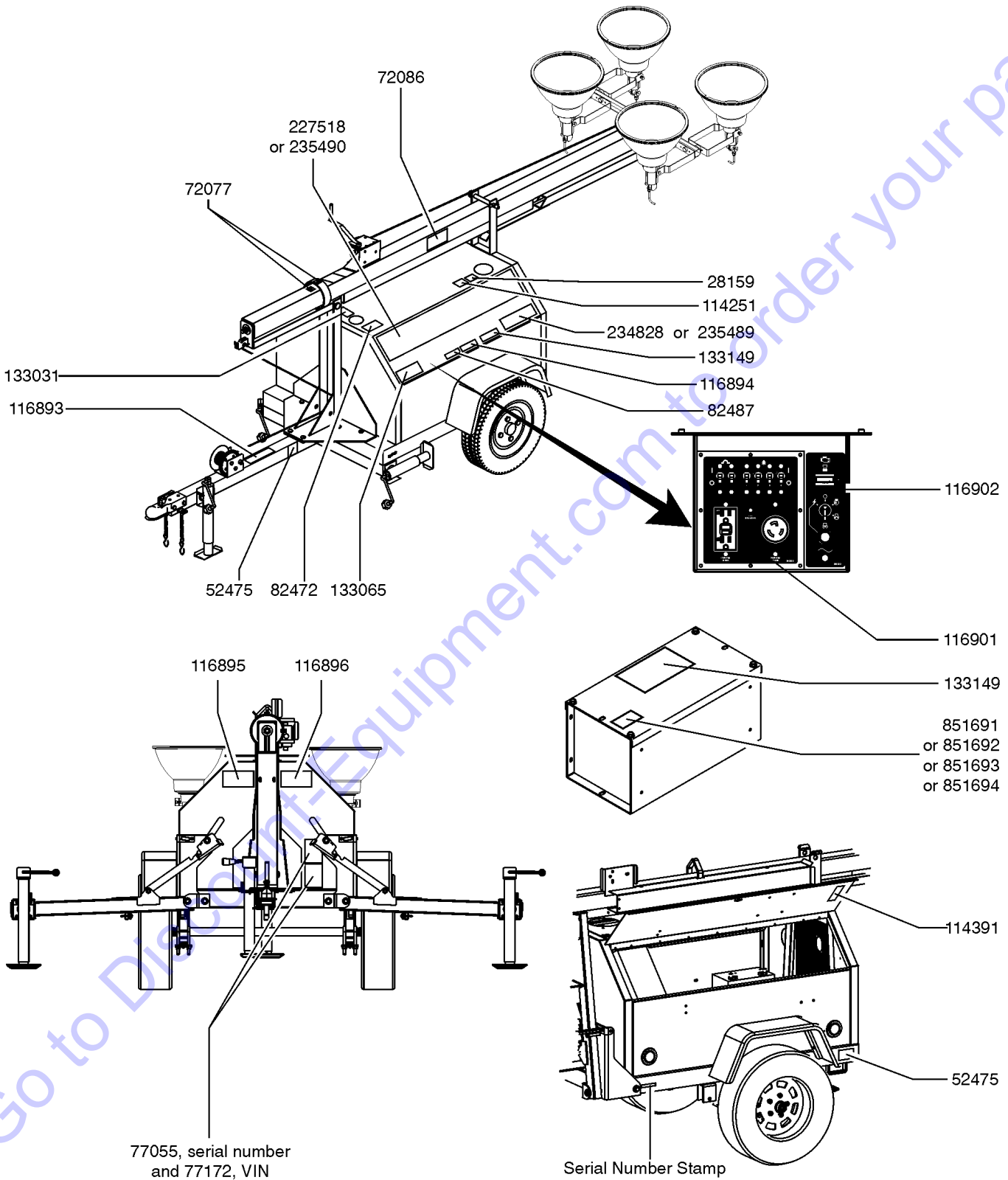
Go to Discount-Equipment.com to order your parts

103.1 Decals with Words, Lights

Item	Part No.	Description	Qty.
--		DECAL KIT,WORD,COMPLETE <i>refer to 101.1</i>	
1	97518GT	Decal, Instruction, Lamp Disposal.....1	
2	133148GT	DECAL,DANGER,HAZARD VOLTAGE....1	
3	T108021GT	DECAL,WARN,PROTECTIVE BARRIER.....1	
4	T108022GT	DECAL, WARNING BURN HAZARD.....4	

Go to Discount-Equipment.com to order your parts

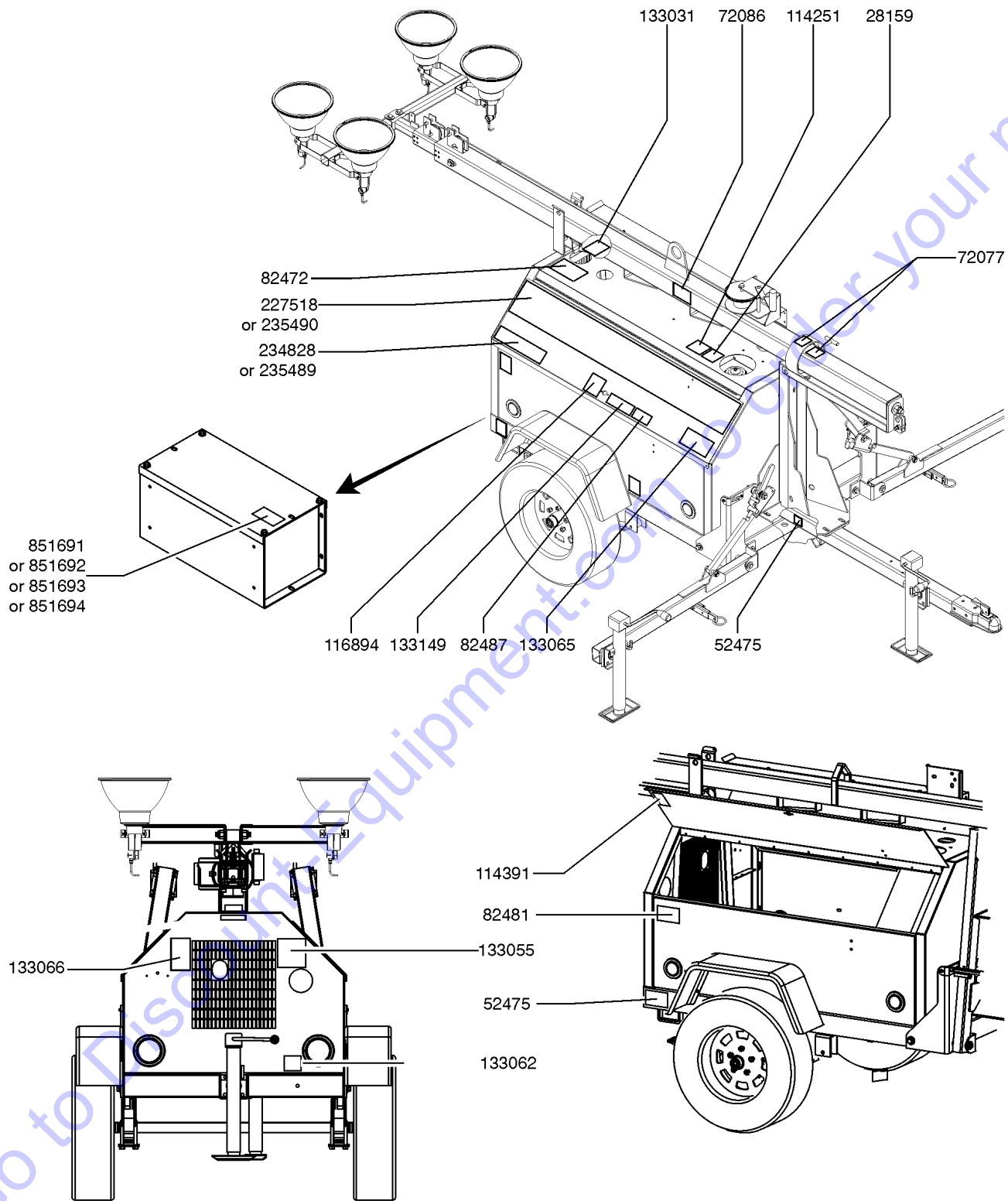
104.1 Decals with Symbols, Roadside



104.1 Decals with Symbols, Roadside

Item	Part No.	Description	Qty.
--	216591GT	DECAL KIT, SYMBOL, RL4 (from RL412-101)	
1	28159GT	DECAL,DIESEL.....	1
2	52475GT	DECAL,LABEL,TRANSPORT TIEDOWN*.....	4
3	72077GT	DECAL,LABEL,ARROW.....	2
4	72086GT	DECAL,LABEL,LIFTING EYE.....	2
5	77172GT	LABEL,BLANK,4X5,CHROME POLY***..... (to order, call Genie Parts and Service Department with model and serial number of unit)	1
6	82472GT	DECAL,WARNING,CRUSHING HAZARD.....	2
7	82487GT	DECAL, SYMBOL - READ THE MANUAL.....	2
8	77055GT	SERIAL LABEL,BLANK,4X8,CHROME*..... (This is a blank label. Contact Service Parts to order; the model and serial number of the machine will be required.)	1
--	77183GT	FILM,POLY,CLEAR,4.5 X 8.75.....	1
9	114251GT	DECAL,LABEL,NO SMOKING,SYMB.....	1
10	114391GT	DECAL,WARNING,CRUSHING.....	2
11	116893GT	DECAL,TOW SPEED SYMBOL.....	1
12	116894GT	DECAL,BURN HAZARD SYMBOL.....	2
13	116895GT	DECAL,TIP HAZARD SYMBOL.....	2
14	116896GT	DECAL,COLLISION HAZARD SYMBOL.....	2
15	116901GT	DECAL,CONTROL BOX AC CONSOL....	1
16	116902GT	DECAL,CONTROL BOX DC CONSOL....	1
17	133031GT	Label - Burn Hazard.....	1
18	133065GT	DECAL,LABEL-ELEC HAZ,DISTANCE..	2
19	133149GT	DECAL,LABEL-ELEC HAZ,SERV MAN..	3
20	234828GT	DECAL, COSMETIC, RL4.....	2
21	235489GT	COSMETIC DECAL, BLACK/WHT RL4..	2
22	235490GT	DECAL,COSMETIC, GENIE LOGO.....	2
23	851691GT	DECAL- 1 (10/CARD BRADY.....)	1
24	851692GT	DECAL- 2 (10/CARD BRADY.....)	1
25	851693GT	DECAL- 3 (10/CARD BRADY.....)	1
26	851694GT	DECAL - 4 (10/CARD BRADY.....)	1
27	227518GT	DECAL,COSMETIC TEREX,AL4,AL4L..	2

105.1 Decals with Symbols, Curbside

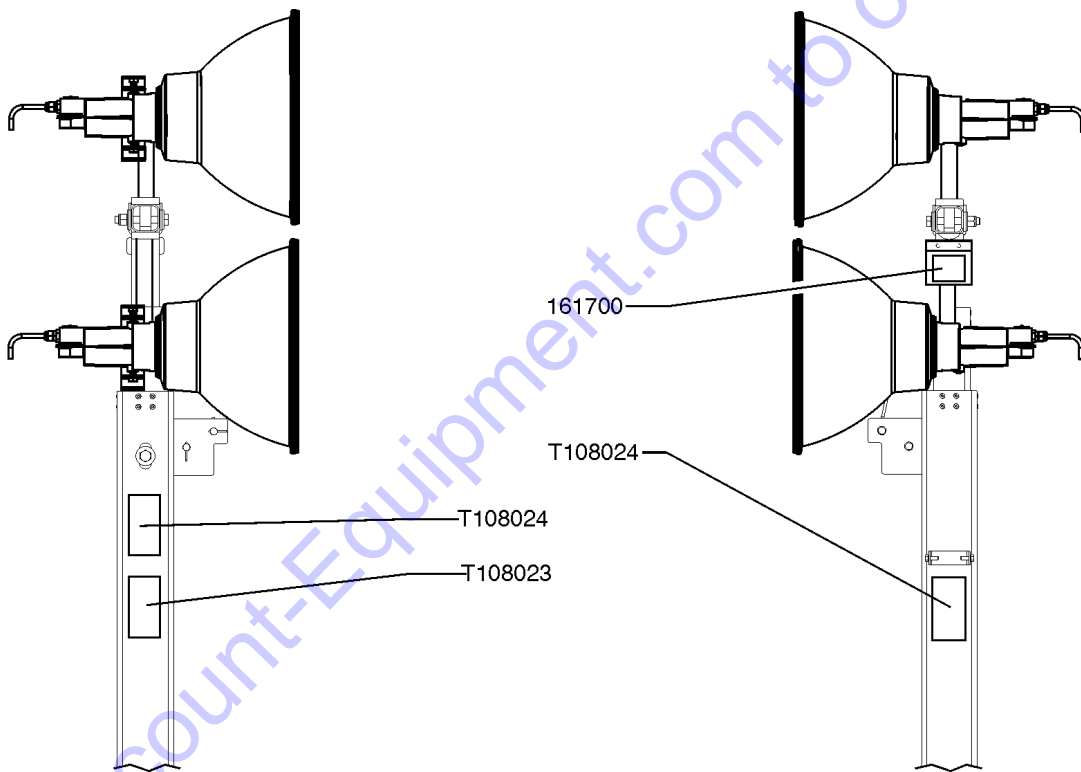


105.1 Decals with Symbols, Curbside

Item	Part No.	Description	Qty.
--		DECAL KIT,SYMBOL,COMPLETE <i>refer to 104.1</i>	
1	28159GT	DECAL,DIESEL.....	2
2	52475GT	DECAL,LABEL,TRANSPORT TIEDOWN*.....	4
3	72077GT	DECAL,LABEL,ARROW.....	2
4	72086GT	DECAL,LABEL,LIFTING EYE.....	2
5	82472GT	DECAL,WARNING,CRUSHING HAZARD.....	2
6	82481GT	DECAL,SYMBOL-BATTERY SAFETY.....	1
7	82487GT	DECAL,SYMBOL - READ THE MANUAL.....	2
8	114251GT	DECAL,LABEL,NO SMOKING,SYMB.....	1
9	114391GT	DECAL,WARNING,CRUSHING.....	2
10	116894GT	DECAL,BURN HAZARD SYMBOL.....	2
11	133031GT	Label - Burn Hazard.....	1
12	133055GT	DECAL,LABEL,BURN/CO2 HAZARD.....	1
13	133062GT	Decal, Label, Ground.....	1
14	133065GT	DECAL,LABEL-ELEC HAZ,DISTANCE...2	
15	133066GT	DECAL,LABEL-CRUSH HAZ,TOWER.....	1
16	133149GT	DECAL,LABEL-ELEC HAZ,SERV MAN...3	
17	227518GT	DECAL,COSMETIC TEREX,AL4,AL4...2	
18	234828GT	DECAL, COSMETIC, RL4.....	2
19	235489GT	COSMETIC DECAL, BLACK/WHT RL4...2	
20	235490GT	DECAL,COSMETIC, GENIE LOGO.....	2
21	851691GT	DECAL- 1 (10/CARD BRADY.....	1
22	851692GT	DECAL- 2 (10/CARD BRADY.....	1
23	851693GT	DECAL- 3 (10/CARD BRADY.....	1
24	851694GT	DECAL - 4 (10/CARD BRADY.....	1

Go to Discount-Equipment.com to order your parts

106.1 Decals with Symbols, Lights



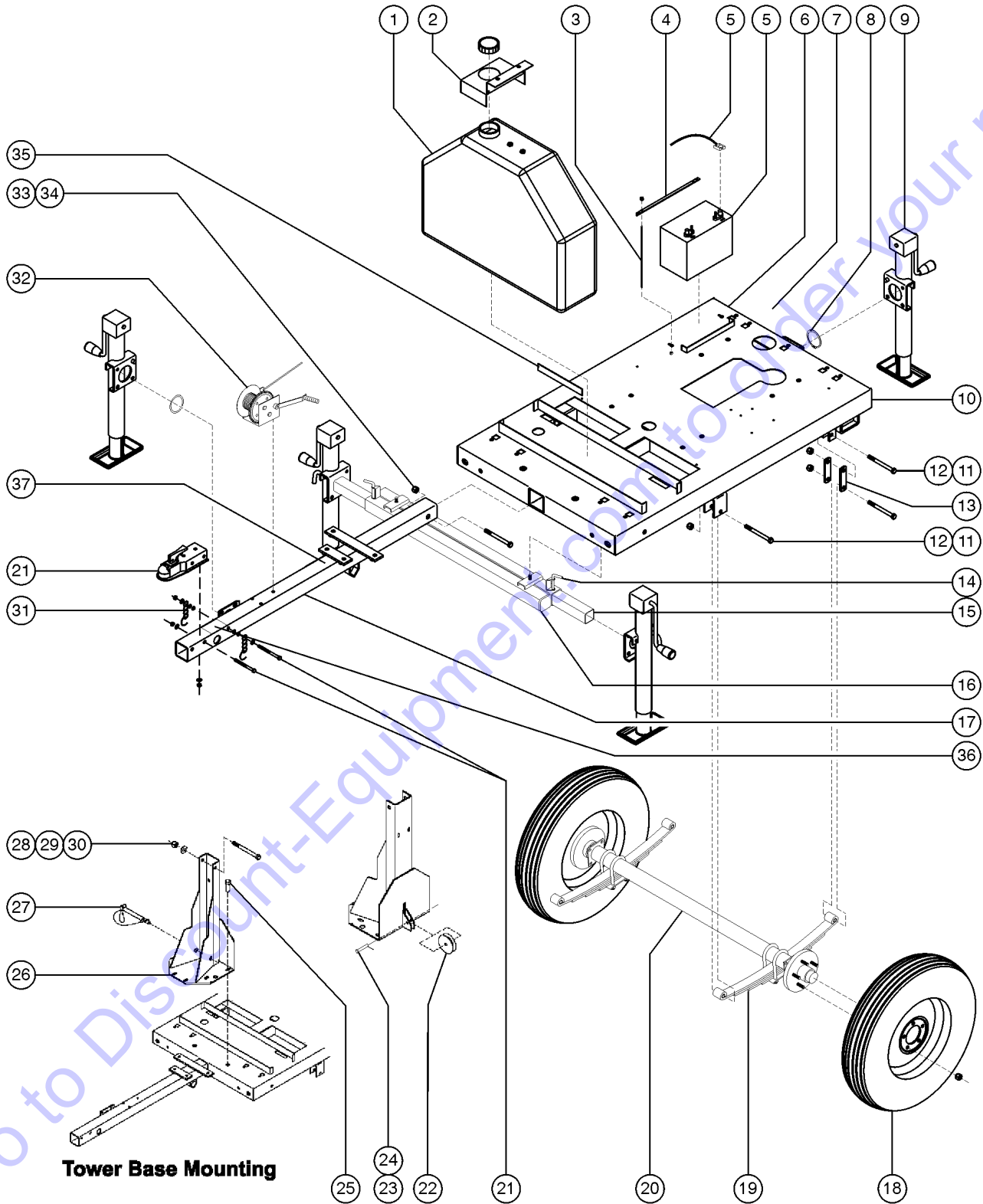
Go to Discount-Equipment.com to order your parts

106.1 Decals with Symbols, Lights

Item	Part No.	Description	Qty.
--		DECAL KIT,SYMBOL,COMPLETE <i>refer to 104.1</i>	
1	133149GT	DECAL,LABEL-ELEC HAZ,SERV MAN..3	
2	T108023GT	DECAL,BODILY INJURY SYMBOL.....1	
3	T108024GT	DECAL,BURN HAZARD SYMBOL.....2	

Go to Discount-Equipment.com to order your parts

201.1 Chassis

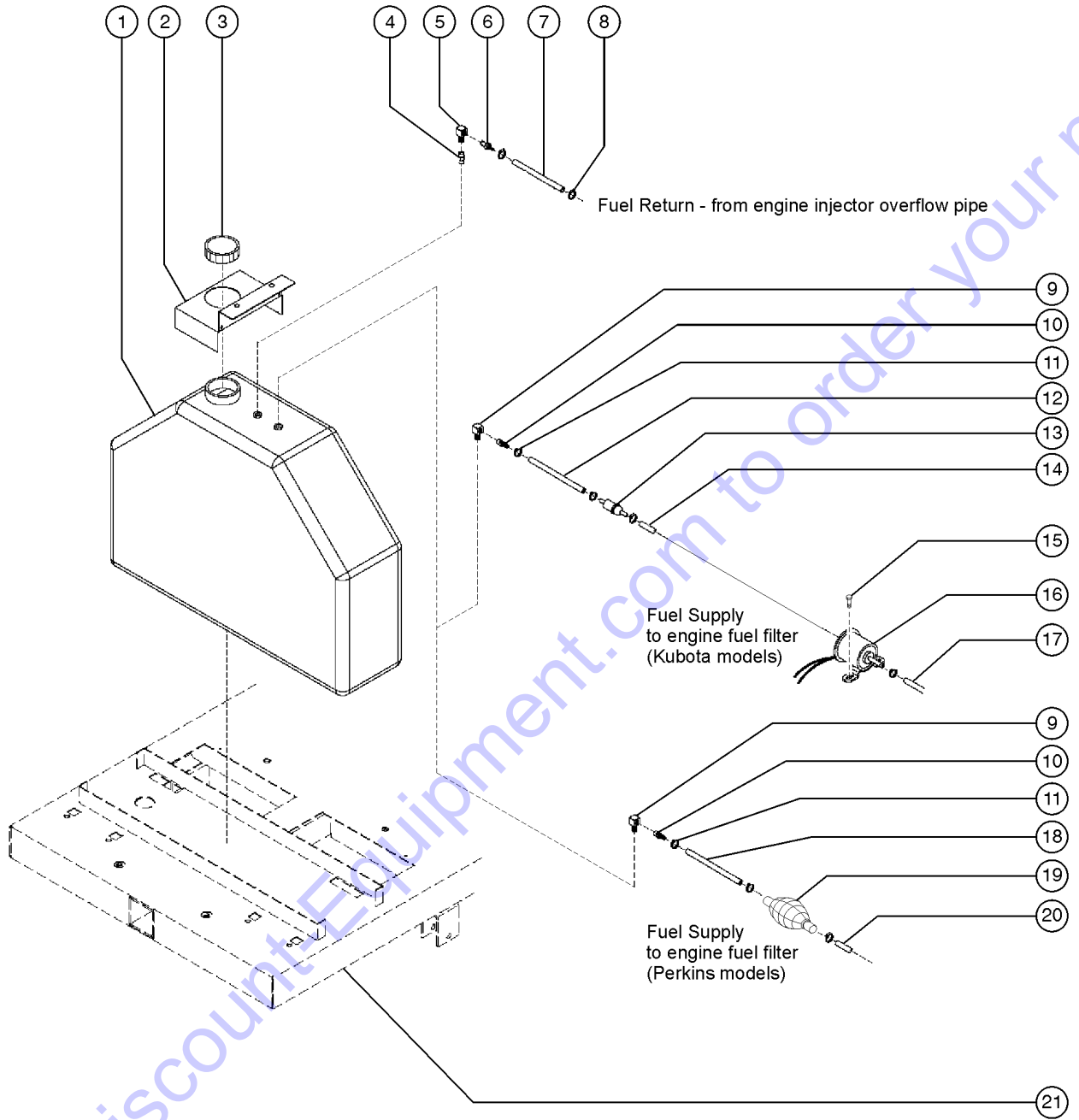


Tower Base Mounting

201.1 Chassis

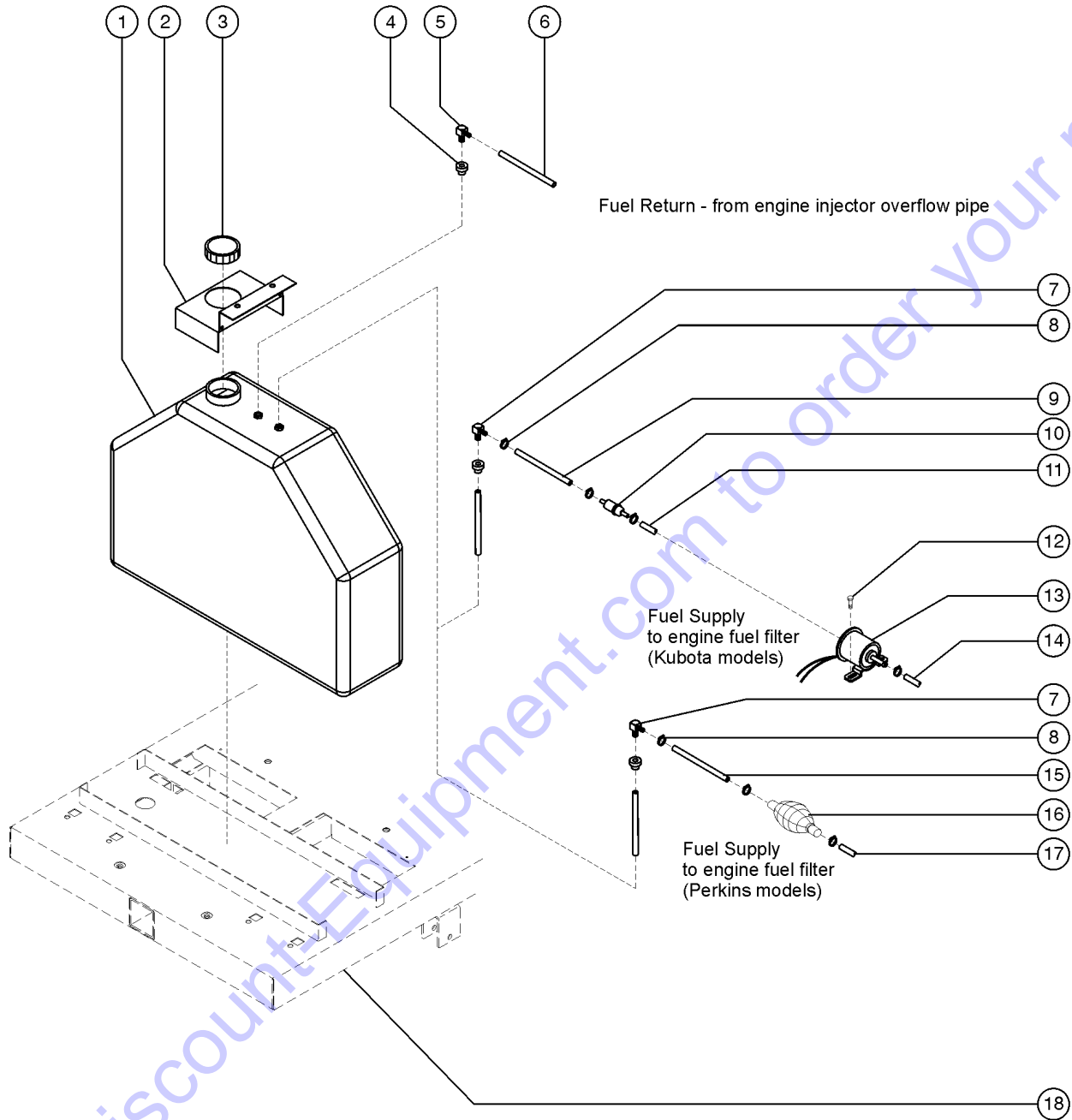
Item	Part No.	Description	Qty.	Item	Part No.	Description	Qty.
1		Ref., FUEL TANK <i>refer to 202.1</i>		22B	188770GT	SHEAVE 2-13/16 X11/4,PLASTIC <i>(for 823775GT tower base) (refer to item 26)</i>	
2		Ref., FUEL TANK SUPPORT BKT <i>refer to 202.1</i>		23A	992760GT	CLEVIS PIN 1/2X1.5 SS.....1 <i>(for pulley C61400100 and tower CS63C080GT)</i>	1
3A	182330GT	FP-BATTERY HOLD-DOWN ROD.....2 <i>10.25 inches</i>	2	23B	217423GT	PIN,CLEVIS,STL 1/2" DIA X 2/0" LG, <i>(for pulley 188770GT and tower 823775GT)</i>	
--	990150GT	NUT,NYLOCK,1/4-20 GR2		24	990650GT	COTTER PIN 1/8X1 SSBIN STOCK.....1	1
3B	182331GT	BATTERY HOLD DOWN ROD <i>11.25 inches</i>		25	C54201300GT	SCREW FLANGE 1/2 -13X.....1	1
--	990150GT	NUT,NYLOCK,1/4-20 GR2.....2	2	26	823775GT	KIT, REDESIGNED RL4 BASE.....1 <i>(replaced CS63C080GT) (includes re-designed base, pulley, clevis pin and cotter pin)</i>	1
4	174170GT	FP-BATTERY HOLDOWN ANGLE.....1	1	--	188770GT	SHEAVE 2-13/16 X11/4,PLASTIC	
5		Ref., BATTERY CABLES.....1 <i>refer to 405.1</i>	1	--	217215GT	WELDMENT, MAST BASE	
5A	112300GT	BATTERY.....1	1	--	217423GT	PIN,CLEVIS,STL 1/2" DIA X 2/0" LG,	
5B	161085GT	BATTERY,12V,700CCA		--	990650GT	COTTER PIN 1/8X1 SSBIN STOCK	
6	851820GT	DECAL- SYMBOL FOR GROUND.....1	1	27	C61300500GT	YOKE & BASE PIN ASSEMBLY.....1	1
7	C51600600GT	NUT,CLIP,3/8-16X.75.....9	9	--	790510GT	CABLE,1/16",7X7 480LB.....2 <i>for C61300500GT</i>	2
8	840222GT	SNAP RING,JACK (841430).....4	4	--	C61300402GT	SLEEVE,CABLE,1/16".....4 <i>for C61300500GT</i>	4
9	841430GT	JACK,MECHANICAL,3000LB.....4	4	--	C61300501GT	PIN,0.75 X 7' ZINC.....1 <i>for C61300500GT</i>	1
9A	834204GT	FULTON HANDLE FOR JACK <i>for jack with round plastic top</i>		--	C61300502GT	CLIP,HITCH PIN.....1 <i>for C61300500GT</i>	1
9A	834219GT	HAMMERBLOW HANDLE FOR JACK <i>for jack with square metal top</i>		28	C54200300GT	SCREW,HHC,7/8-9 X 7 Z G5.....1	1
9A	840221GT	JACK BRACKET,WELD ON SWIVEL <i>for 841430</i>		29	C54300400GT	WASHER,FLAT,7/8 Z.....1	1
10	823444GT	BASE,TRAILER RL4.....1	1	30	C54100200GT	NUT, NYLOCK 7/8-9 Z.....1	1
11	216631GT	BOLT,AXLE,3/16X3 W/7/16-20STEP		31	162160GT	CHAIN, SAFETY, SNAP HOOK.....2	2
12	840395GT	NUT,AXLE SPRING 2000NO.....6	6	--	32645GT	SCREW,HHC,3/8-16 X 5 GRD 5 ZNC.....1	1
13	841473GT	SHACKLE,AXLE,4-5/8" LONG.....4	4	--	4828GT	NUT,NYLOCK,3/8-16.....1	1
14	C51600200GT	LATCH HEAVY DUTYSRING.....2	2	--	6097GT	WASHER,FLAT,USS,3/8",Y.....2	2
15	216370GT	LEG,OUTRIGGER RL.....2	2	--	61975GT	RETAINER,SPRING,1.21 X .375.....2	2
16	CS62A011GT	HOUSING,OUTRIGGER RL4.....1	1	32		Ref., WINCH <i>refer to 207.1</i>	
--	990200GT	NUT,NYLOCK,1/2-13 GR2.....2	2	32	990160GT	SCREW,HHC,3/8-16 X 3.75.....1	1
--	993860GT	WASHER,FLAT,1/2 SS 18-8 BIN.....2	2	32	C51601462GT	NUT FLANGE 3/8 -16.....3	3
17	CS82A020GT	TONGUE W/JACKBRKT B-O-H.....1	1	--	CU63B054GT	CABLE,TOWER TILT,.25 IN RL4.....1	1
18	116021GT	WHEEL/TIRE ASSY,13",175/80 LRB.....2	2	33	993180GT	NUT,NYLOCK,3/4-10 ZP.....1	1
--		Ref., LUG NUT <i>refer to 203.1</i>		34	C54200800GT	BOLT 3/4 -10X 5 Z G5.....1	1
19	834211GT	SPRING,LEAF FOR AXLE, 4 PLY.....2	2	35	930950GT	WTHRSRIP, 1/4" X 1/2"W......96 <i>inches</i>	96
--	236977GT	KIT,U-BOLT,PLATE,&NUTS,116949.....2	2	36	851310GT	DECAL-ATTN ALL JACKS MUST BE.....3	3
20		Ref., AXLE <i>refer to 203.1</i>		37	CR51A102GT	DECAL,WARNING,ALL OUTRIGGER.....1	1
21		Ref., HITCH.....1 <i>refer to 204.1</i>	1				
22A	C61400100GT	PULLEY,STEEL,3".....1 <i>(for CS63C080GT tower base) (refer to item 26)</i>	1				

202.1 Fuel Tank and Hoses



Item	Part No.	Description	Qty.
1		Ref., FUEL TANK ASSY,PLASTIC,30G,RL4.....1 <i>Fuel tank part number CR21A000GT is no longer available. If ordering a replacement fuel tank you must order RL4 Fuel Tank Kit (part number 1255815). Item numbers 2-20 can still be ordered for units with older style fuel tanks.</i>	
--	14262GT	PLUG,HEX SOCKET,3/8 MPT tank drain	
2	CR59B035GT	FUEL TANK SUPPORTBRKT. RL4-B.....1	
3	217717GT	CAP FUEL RL4/AL4 WITH TETHER.....1	
4	891550GT	FITTING,STRAIGHT ADAPTER.....1	
5	891520GT	PIPE FITTING STR ELBO.....1	
6	891560GT	HOSE FITTING PIPE/BAR.....1	
7	890785GT	HOSE,FUEL,1/8"ID.....5.5-feet fuel return from engine injector pipe to tank	
8	792750GT	CLAMP 7/16 TO 25/32.....2	
9	C90200400GT	FITTING,PICKUP & RETURN.....1	
10	898590GT	HOSE FITTING PIPE/BAR.....1	
11	792750GT	CLAMP 7/16 TO 25/32.....5	
12	890795GT	HOSE,FUEL,5/16"ID.....1.5-feet fuel supply from tank to inline filter	
13	740620GT	FILTER,IN-LINE,FUEL,5/16".....1 Kubota models	
14	890795GT	HOSE,FUEL,5/16"ID.....2.5-feet fuel supply from inline filter to pump	
15	995810GT	SCREW 1/4-20NCX5/8 HW.....2 for 660320GT	
16	660320GT	PUMP,FUEL, 12VDC.....1 Kubota models (mounted on chassis)	
--	R890065GT	HOSE FITTING PIPE/BARB 1/8MX.....2 for 660320GT	
17	890795GT	HOSE,FUEL,5/16"ID.....1.75-feet fuel supply from pump to engine fuel filter	
18	890795GT	HOSE,FUEL,5/16"ID.....4-feet fuel supply from tank to primer pump	
19	85155GT	PUMP,PRIMER,PERKINS***1 Perkins models	
20	890795GT	HOSE,FUEL,5/16"ID.....2.5-feet fuel supply from primer pump to engine fuel filter	
21		Ref., CHASSIS refer to 201.1	

202.2 Fuel Tank and Hoses (from SN RL414-11467)



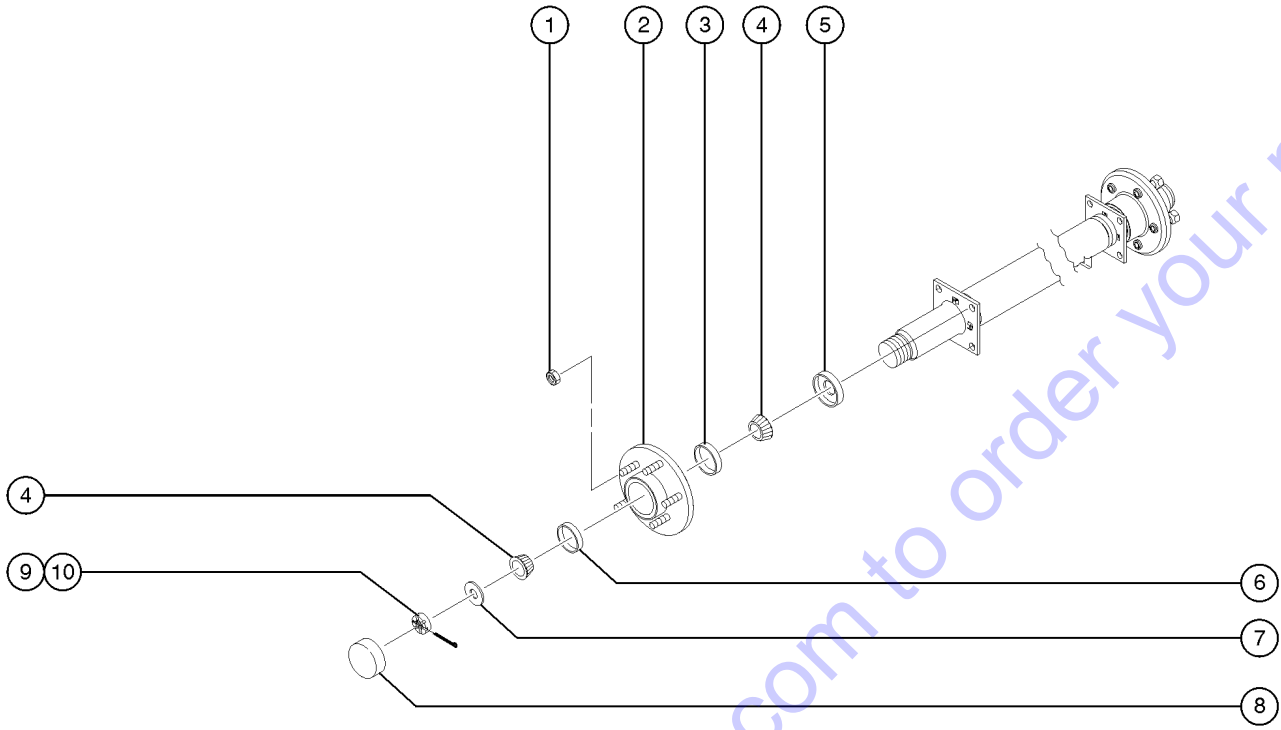
Go to DiscountEquipment.com to order your parts

202.2 Fuel Tank and Hoses (from SN RL414-11467)

Item	Part No.	Description	Qty.
1	825071GT	FUEL TANK ASSY,PLASTIC,30G,RL4....1	
--	14262GT	PLUG,HEX SOCKET,3/8 MPT <i>tank drain</i>	
2	CR59B035GT	FUEL TANK SUPPORTBRKT. RL4-B....1	
3	217717GT	CAP FUEL RL4/AL4 WITH TETHER.....1	
4	825081GT	GROMMET DAPCO RUBBER SM.....2	
5	825079GT	FITTING 1/8,FITTING FOR DOWN T.....1	
6	890785GT	HOSE,FUEL,1/8"ID.....5.5-feet <i>fuel return from engine injector pipe to tank</i>	
7	825075GT	FITTING, 5/16, WITH TUBE.....1	
8	792750GT	CLAMP 7/16 TO 25/32.....5	
9	890795GT	HOSE,FUEL,5/16"ID.....1.5-feet <i>fuel supply from tank to inline filter</i>	
10	740620GT	FILTER,IN-LINE,FUEL,5/16".....1 <i>Kubota models</i>	
11	890795GT	HOSE,FUEL,5/16"ID.....2.5-feet <i>fuel supply from inline filter to pump</i>	
12	995810GT	SCREW 1/4-20NCX5/8 HW.....2 <i>for 660320</i>	
13	660320GT	PUMP,FUEL, 12VDC.....1 <i>Kubota models (mounted on chassis)</i>	
--	R890065GT	HOSE FITTING PIPE/BARB 1/8MX.....2 <i>for 660320</i>	
14	890795GT	HOSE,FUEL,5/16"ID.....1.75-feet <i>fuel supply from pump to engine fuel filter</i>	
15	890795GT	HOSE,FUEL,5/16"ID.....4-feet <i>fuel supply from tank to primer pump</i>	
16	85155GT	PUMP,PRIMER,PERKINS***.....1 <i>Perkins models</i>	
17	890795GT	HOSE,FUEL,5/16"ID.....2.5-feet <i>fuel supply from primer pump to engine fuel filter</i>	
18		Ref., CHASSIS <i>refer to 201.1</i>	

Go to DiscountEquipment.com to order your parts

203.1 Axle

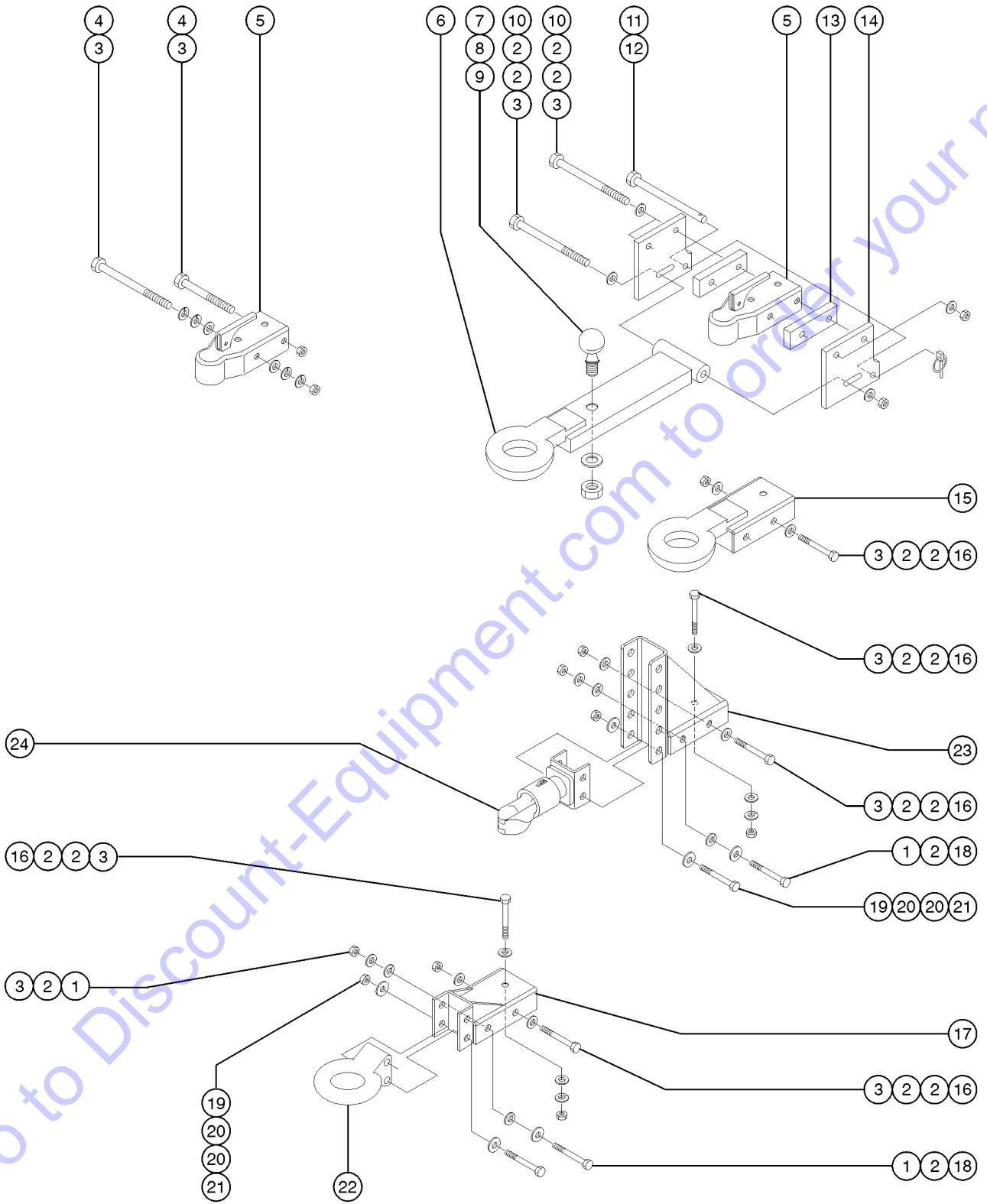


Go to Discount-Equipment.com to order your parts

Item	Part No.	Description	Qty.
--	116949GT	AXLE ASSY,2200#,STRAIGHT <i>Complete (includes items 1-10)</i>	
1	840376GT	NUT,WHEEL, 1/2 X 20.....	10
2	236978GT	KIT,HUBS,BRINGS&SEALS,116949GT.. <i>includes items 3-5, 7 and 9</i>	1
3		RACE, INNER..... <i>for reference only - not available separately</i>	1
4	230561GT	BEARING,ALXL,840377,841050.....	2
5	147122GT	GREASE SEAL.....	1
6		RACE, OUTER..... <i>for reference only - not available separately</i>	1
7	147123GT	WASHER,PLAIN,1"	
8	834228GT	GREASE CAP, AXLE, 3000LB.....	1
9	834250GT	HAMMERBLOW SPINDLE NUT,AXLE....	1
10	7604GT	PINCOTTER 0.125 1.750	

Go to Discount-Equipment.com to order your parts

204.1 Hitches

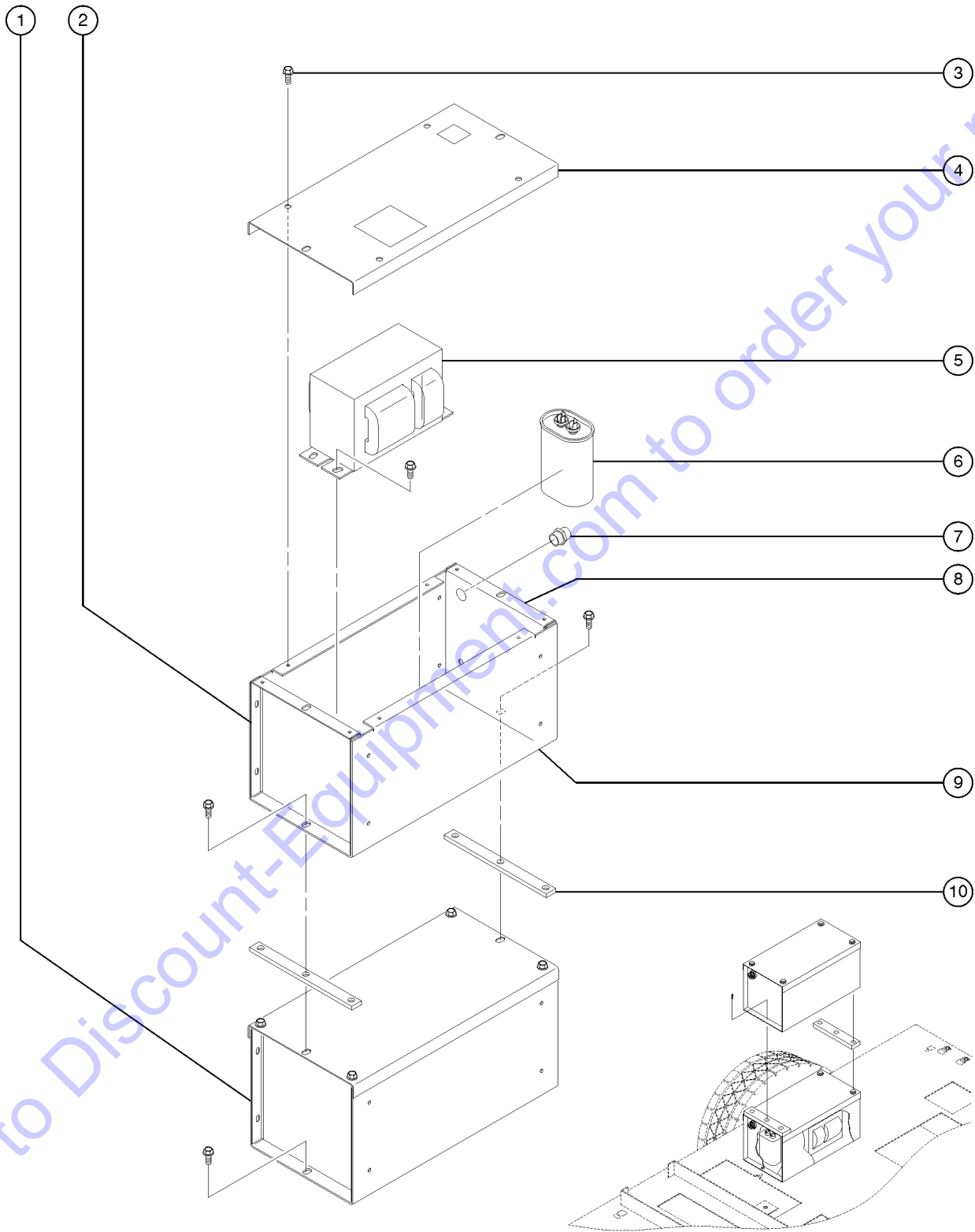


Go to Discount-Equipment.com to order your parts

Item	Part No.	Description	Qty.
1	991650GT	WASHER LOCK 1/2ZP.....	2
2	6095GT	WASHER,FLAT,USS,1/2",Y	
3	6198GT	NUT,NYLOCK,1/2-13	
4	995310GT	SCREW,HHC,1/2-13 X 4 G.....	2
5A	57332GT	COUPLER,BALL,2" CLASS II	
5B	227082GT	COUPLER,BALL,2 5/16	
6	T109127GT	HITCH RING,COMBO,16"LENGTH.....	1
7	89163GT	BALL, 2" ZINC.....	1
8	122079GT	WASHER,FLAT,1.000,HARDENED.....	1
9	33265GT	NUT,HEX,1-8.....	1
10	1262632GT	SCREW,HHC,1/2-13 X 6 GR8 ZP.....	3
11	183731GT	SCREW,HHC,1/2-13 X 6.....	1
12	790540GT	PIN QUICK 1/4X 1.75 ZP.....	1
13	T109129GT	SPACER,SIDE,COMBO,HTCH,BOLT-ON.2	
14	176335GT	PLATE,SIDE,COMBO HITCH,BOLT-ON.....	2
15	213770GT	HITCH,RING,BOLT-ON 2.5" ID.....	1
16	13854GT	SCREW,HHC,1/2-13 X 4.5,GRD.8.....	2
17	116936GT	AS-RING HITCH MOUNT.....	1
18	6-5208-44GT	SCREW,HHC,1/2-13 X 5.5,GRD.8.....	1
19	123461GT	SCREW,HHC,5/8-11X4.50,GR8,Y.....	2
20	6035GT	WASHER,FLAT,USS,5/8",Y.....	4
21	6024GT	NUT,NYLOCK,5/8-11.....	1
22A	116937GT	HITCH,2.5"RING,6 TON.....	1
22B	T110632GT	HITCH,3"RING,6TON.....	1
23	218691GT	BRACKET ADJ HGT 6".....	1
24A	67231GT	COUPLER 2-5/16" BALL BULLDOG T....	1
24B	67230GT	COUPLER 2" BALL BULLDOG TMZ.....	1

Go to Discount-Equipment.com to order your parts

205.1 Ballast Box Assembly



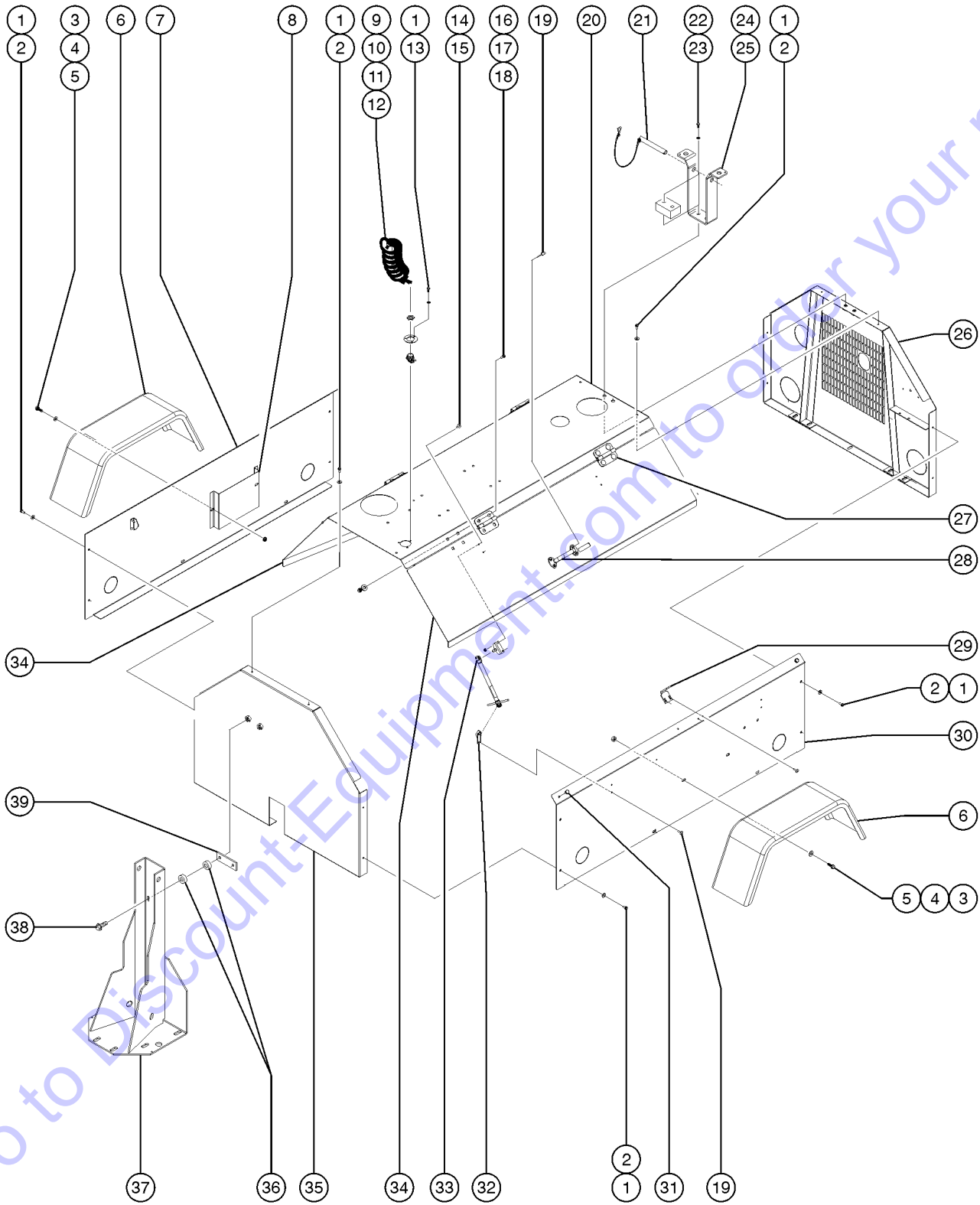
Go to Discount-Equipment.com to order your parts

205.1 Ballast Box Assembly

Item	Part No.	Description	Qty.
1A	114355GT	BALLAST ASSY,60HZ,MH,1KW,120V.....1 <i>60 Hz Ballast Assembly without decals (refer to Section 1)</i>	1
1B	115366GT	BALLAST ASSY,50HZ,MH,1000W.....1 <i>50 Hz Ballast Assembly without decals (refer to Section 1)</i>	1
2	161184GT	FP-BALLAST BOX REAR.....1	1
3	995490GT	SCREW,HH SLOT,1/4 X 0.75	
4	161181GT	FP-BALLAST BOX TOP.....1	1
5A	160030GT	BALLAST/CAP MH60Hz120.....1 <i>60 Hz; includes item 6</i>	1
5B	160490GT	BALLAST MH 50HZ 120V/.....1 <i>50 Hz; includes item 6</i>	1
6A	160032GT	CAPACITOR 24uF MH 60H.....1 <i>60 Hz</i>	1
6B	160033GT	CAPACITOR,50HZ MH,26MF(BALLAST.....1 <i>50 Hz</i>	1
7	663860GT	CONNECTOR 5P MALE RECEPTACLE.....1	1
8	161185GT	FP-BALLAST BOX FRONT.....1	1
9	161180GT	FP-BALLAST BOX BOTTOM.....1	1
10	189346GT	SPACER,BALLAST,STACKED.....2	2

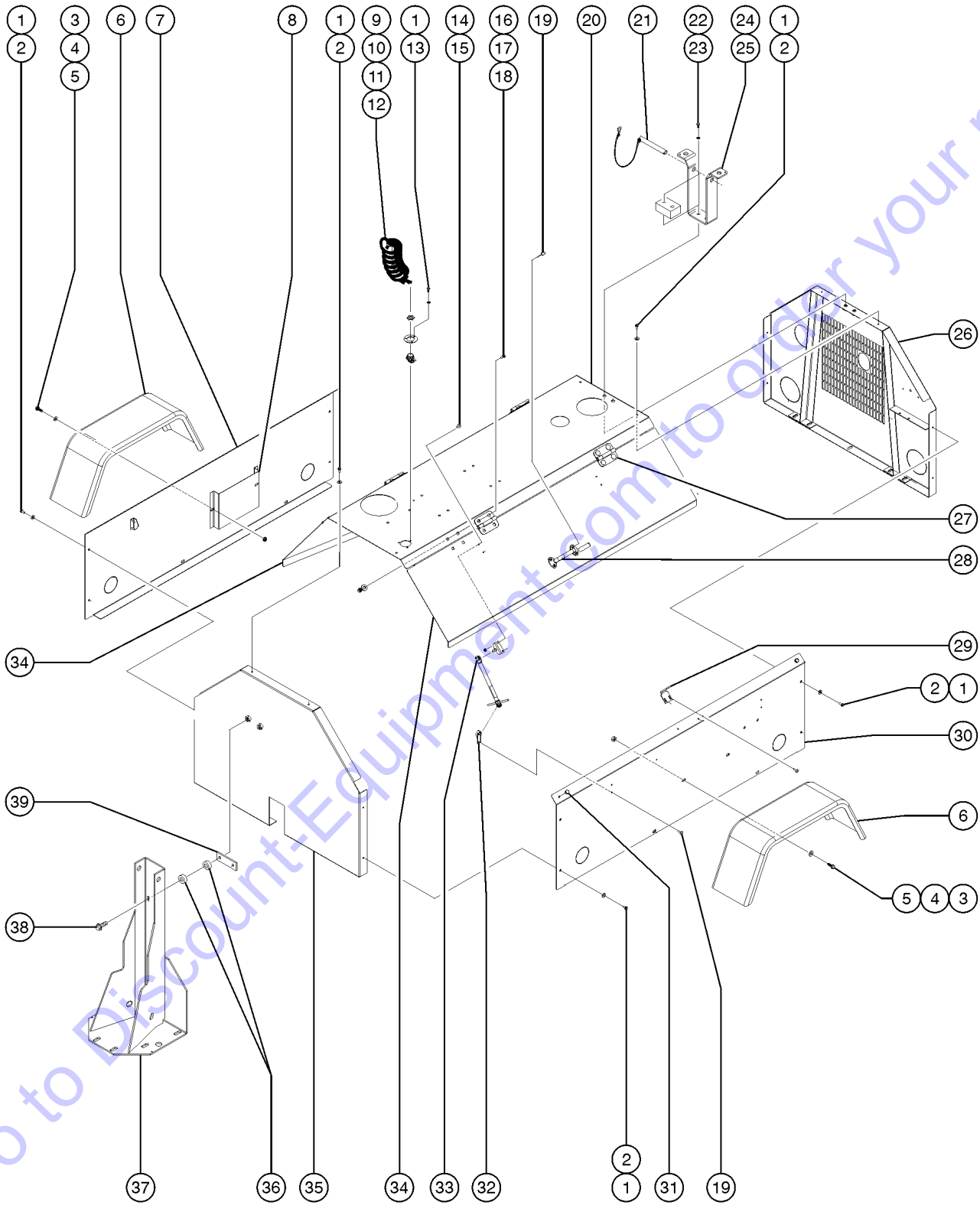
Go to Discount-Equipment.com to order your parts

206.1 Cabinet



Item	Part No.	Description	Qty.	Item	Part No.	Description	Qty.
1	995810GT	SCREW 1/4-20NCX5/8 HW		38	C51601530GT	SCREW FLANGE 3/8 X1.5ZP*** <i>Recommend the use of liquid thread locker during installation</i>	2
2	993850GT	WASHER FLAT 1/45/8 SBIN		39	116923GT	SPACER, TOWER, RL4	1
3	C51601450GT	SCREW FLANGE 5/16 -18X1					
4	992330GT	WASHER FLAT 5/16YZP					
5	C51601451GT	NUT,FLANGE,5/16-18 Z					
6	C83400100GT	FENDER,STEEL,RL4	2				
7	116911GT	PANEL, UNDERDOOR, CURBSIDE	1				
8	116918GT	HOLDER, LITERATURE	1				
9		Ref., COIL CORD	1				
10	680250GT	LOCKNUT, CONDUIT 3/4CSA APPVD	1				
11	CR58C012GT	COIL CORD BULKHEADPLA	1				
12	682740GT	NIPPLE CHASE 3/4CSA APPVD	1				
--	682750GT	NIPPLE CHASE 1/2CSA APPVD	1				
13	75144GT	WASHER,FLAT,SAE 1/4,ZINC					
14	1258649GT	SCREW, PANHEAD, 10-32 X 5/8					
15	995420GT	NUT LOCK NYLON INSERT,10-32JAM					
16	C21353GT	BOLT,CARRIAGE 3/8-16X.75 Z KEG					
17	981120GT	WASHER FLAT 3/8 ZP SAE BIN					
18	990170GT	NUT LOCK NYLON INSERT 3/8					
19	990670GT	RIVET,POP,SS,3/16"X1/2" BLIND					
20	116909GT	PANEL, TOP, CABINET, RL4	1				
21	C61300501GT	PIN,0.75 X 7' ZINC	1				
--	C61300502GT	CLIP,HITCH PIN	1				
22	C54200400GT	SCREW ALLENHEX 1/2 -13X 1.5					
23	991650GT	WASHER LOCK 1/2ZP					
24	CR63A040GT	AS-WELDMENT, CRADLE	1				
25	CU63A040GT	SUPPORT, PLASTIC, 1 X 2.5 X 3.5"	1				
--	663520GT	LIGHT,LICENSE TAG W/BRACKET <i>(not shown)</i>	1				
26A	230736GT	AS-WELDMENT, PANEL, REAR, RL4 <i>(from SN RL4011-4236)</i>	1				
27	794890GT	HINGE,STAINLESS STEEL,BLACK	4				
28	790940GT	HANDLE,CHROME,5.75"	2				
29	189796GT	HASP CABINET DOOR5584AL4/5					
30	116912GT	PANEL, UNDERDOOR, ROADSIDE	1				
31	116927GT	BUMPER, DOOR, RUBBER	4				
32	796432GT	BRACKET W/BALL,GAS SPRING	8				
33	796436GT	SPRING,GAS,16",60LBS	4				
34	116910GT	PANEL, DOOR, RL4	2				
35	116908GT	PANEL, FRONT, CABINET, RL4	1				
36	C51400301GT	CUSHION,TWR SP,1.25"X0.75"RL4	2				
37		Ref. TOWER BASE <i>(refer to 201.1)</i>					

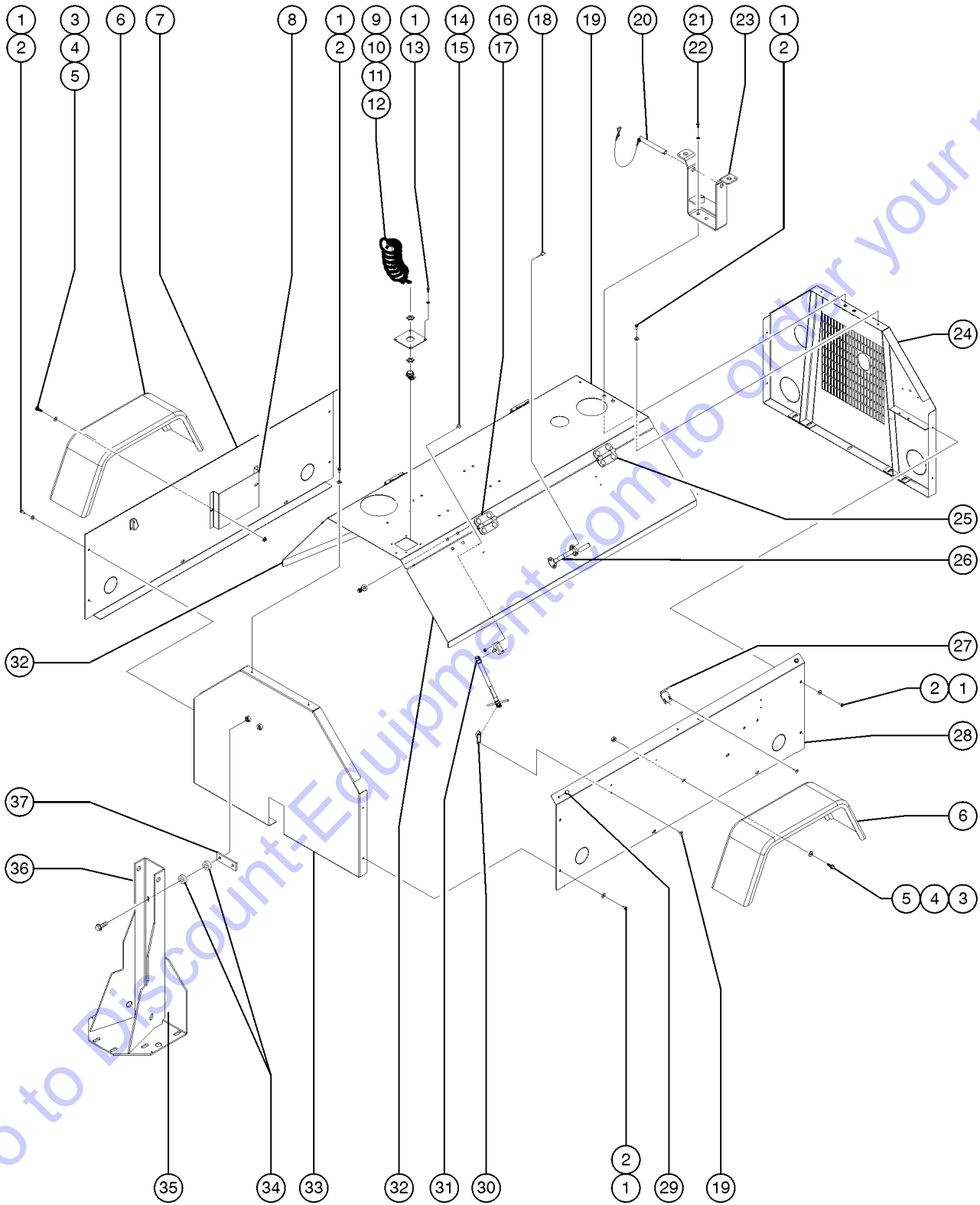
206.1 Cabinet (from SN RL413-6092 to RL414-10859)



206.1 Cabinet (from SN RL413-6092 to RL414-10859)

Item	Part No.	Description	Qty.	Item	Part No.	Description	Qty.
1	995810GT	SCREW 1/4-20NCX5/8 HW		38	C51601530GT	SCREW FLANGE 3/8 X1.5ZP*** <i>Recommend the use of liquid thread locker during installation</i>	2
2	993850GT	WASHER FLAT 1/45/8 SBIN		39	116923GT	SPACER, TOWER, RL4	1
3	C51601450GT	SCREW FLANGE 5/16 -18X1					
4	992330GT	WASHER FLAT 5/16YZP					
5	C51601451GT	NUT,FLANGE,5/16-18 Z					
6	C83400100GT	FENDER,STEEL,RL4	2				
7	116911GT	PANEL, UNDERDOOR, CURBSIDE	1				
8	116918GT	HOLDER, LITERATURE	1				
9		Ref., COIL CORD	1				
10	680250GT	LOCKNUT, CONDUIT 3/4CSA APPVD	1				
11	822782GT	COIL CORD BULKHEADPLA	1				
12	682740GT	NIPPLE CHASE 3/4CSA APPVD	1				
--	682750GT	NIPPLE CHASE 1/2CSA APPVD	1				
13	75144GT	WASHER,FLAT,SAE 1/4,ZINC					
14	1258649GT	SCREW, PANHEAD, 10-32 X 5/8					
15	995420GT	NUT LOCK NYLON INSERT,10-32JAM					
16	C21353GT	BOLT,CARRIAGE 3/8-16X.75 Z KEG					
17	981120GT	WASHER FLAT 3/8 ZP SAE BIN					
18	990170GT	NUT LOCK NYLON INSERT 3/8					
19	990670GT	RIVET,POP,SS,3/16"X1/2" BLIND					
20	822785GT	PANEL, TOP, CABINET, RL4	1				
21	C61300501GT	PIN,0.75 X 7' ZINC	1				
--	C61300502GT	CLIP,HITCH PIN	1				
22	C54200400GT	SCREW ALLENHEX 1/2 -13X 1.5					
23	991650GT	WASHER LOCK 1/2ZP					
24	CR63A040GT	AS-WELDMENT, CRADLE <i>(to SN RL413-6832)</i>	1				
25	CU63A040GT	SUPPORT, PLASTIC, 1 X 2.5 X 3.5"	1				
--	663520GT	LIGHT,LICENSE TAG W/BRACKET <i>(not shown)</i>	1				
26A	230736GT	AS-WELDMENT, PANEL, REAR, RL4 <i>(from SN RL4011-4236)</i>	1				
27	794890GT	HINGE,STAINLESS STEEL,BLACK	4				
28	790940GT	HANDLE,CHROME,5.75"	2				
29	189796GT	HASP CABINET DOOR5584AL4/5					
30	116912GT	PANEL, UNDERDOOR, ROADSIDE	1				
31	116927GT	BUMPER, DOOR, RUBBER	4				
32	796432GT	BRACKET W/BALL,GAS SPRING	8				
33	796436GT	SPRING,GAS,16",60LBS	4				
34	116910GT	PANEL, DOOR, RL4	2				
35	116908GT	PANEL, FRONT, CABINET, RL4	1				
36	C51400301GT	CUSHION,TWR SP,1.25"X0.75"RL4	2				
37		Ref. TOWER BASE <i>(refer to 201.1)</i>					

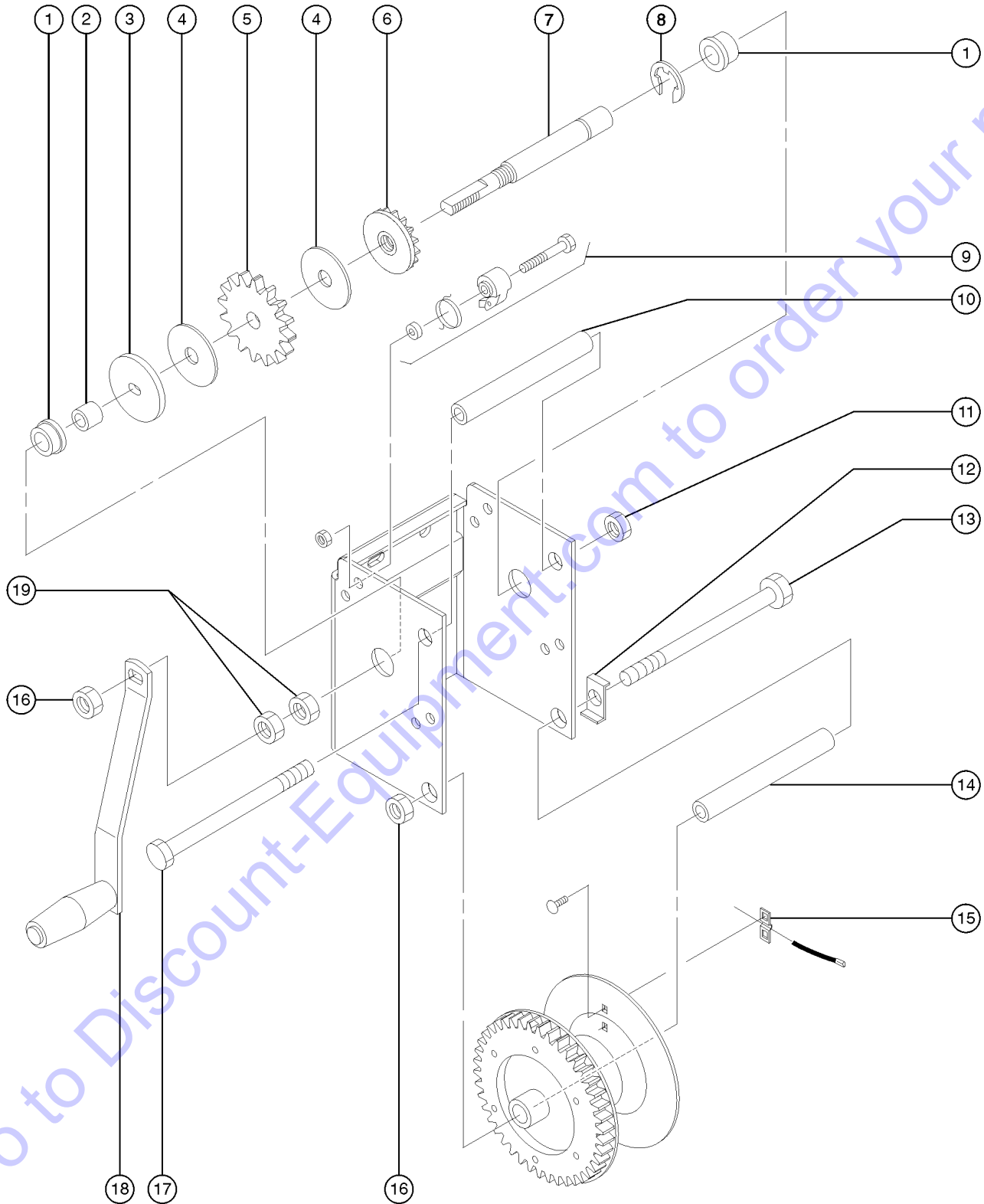
206.2 Cabinet (from SN RL414-10860)



206.2 Cabinet (from SN RL414-10860)

Item	Part No.	Description	Qty.	Item	Part No.	Description	Qty.
1	995810GT	SCREW 1/4-20NCX5/8 HW		37	116923GT	SPACER, TOWER, RL4.....	1
2	993850GT	WASHER FLAT 1/45/8 SBIN					
3	C51601450GT	SCREW FLANGE 5/16 -18X1					
4	992330GT	WASHER FLAT 5/16YZP					
5	C51601451GT	NUT,FLANGE,5/16-18 Z					
6	C83400100GT	FENDER,STEEL,RL4.....	2				
7	116911GT	PANEL, UNDERDOOR, CURBSIDE.....	1				
8	116918GT	HOLDER, LITERATURE.....	1				
9		Ref., COIL CORD.....	1				
10	680250GT	LOCKNUT, CONDUIT 3/4CSA APPVD...	1				
11	822782GT	COIL CORD BULKHEADPLA.....	1				
12	682740GT	NIPPLE CHASE 3/4CSA APPVD.....	1				
--	682750GT	NIPPLE CHASE 1/2CSA APPVD.....	1				
13	75144GT	WASHER,FLAT,SAE 1/4,ZINC					
14	1258649GT	SCREW, PANHEAD, 10-32 X 5/8					
15	995420GT	NUT LOCK NYLON INSERT,10-32JAM					
16	5397GT	WASHER,FLAT,USS,5/16",Y					
17	237832GT	NUT,TL FLG,M8-1.25,DIN6927,10,ZAB					
18	990670GT	RIVET,POP,SS,3/16"X1/2" BLIND					
19	1256167GT	FP,CAB TOP,RL4 BUTTE HNGE.....	1				
20	123680GT	PIN W/RING 3/4X11,HORZ LOCK.....	1				
--	C61300502GT	CLIP,HITCH PIN.....	1				
21	C54200400GT	SCREW ALLENHEX 1/2 -13X 1.5					
22	991650GT	WASHER LOCK 1/2ZP					
23	217436GT	AS-WELDMENT, CRADLE.....	1				
		(from SN RL413-6833)					
--	663520GT	LIGHT,LICENSE TAG W/BRACKET.....	1				
		(not shown)					
24A	230736GT	AS-WELDMENT, PANEL, REAR, RL4.....	1				
		(from SN RL4011-4236)					
25	160421GT	HINGE, BUTT.....	4				
26	790940GT	HANDLE,CHROME,5.75".....	2				
27	189796GT	HASP CABINET DOOR5584AL4/5					
28	116912GT	PANEL, UNDERDOOR, ROADSIDE.....	1				
29	116927GT	BUMPER, DOOR, RUBBER.....	4				
30	796432GT	BRACKET W/BALL,GAS SPRING.....	8				
31	796436GT	SPRING,GAS,16",60LBS.....	4				
32	1256166GT	PANEL, DOOR, RL4.....	2				
33	116908GT	PANEL, FRONT, CABINET, RL4.....	1				
34	C51400301GT	CUSHION,TWR SP,1.25"X0.75"RL4.....	2				
35		Ref. TOWER BASE (refer to 201.1)					
36	C51601530GT	SCREW FLANGE 3/8 X1.5ZP***.....	2				
		Recommend the use of liquid thread locker duering installation					

207.1 Winch

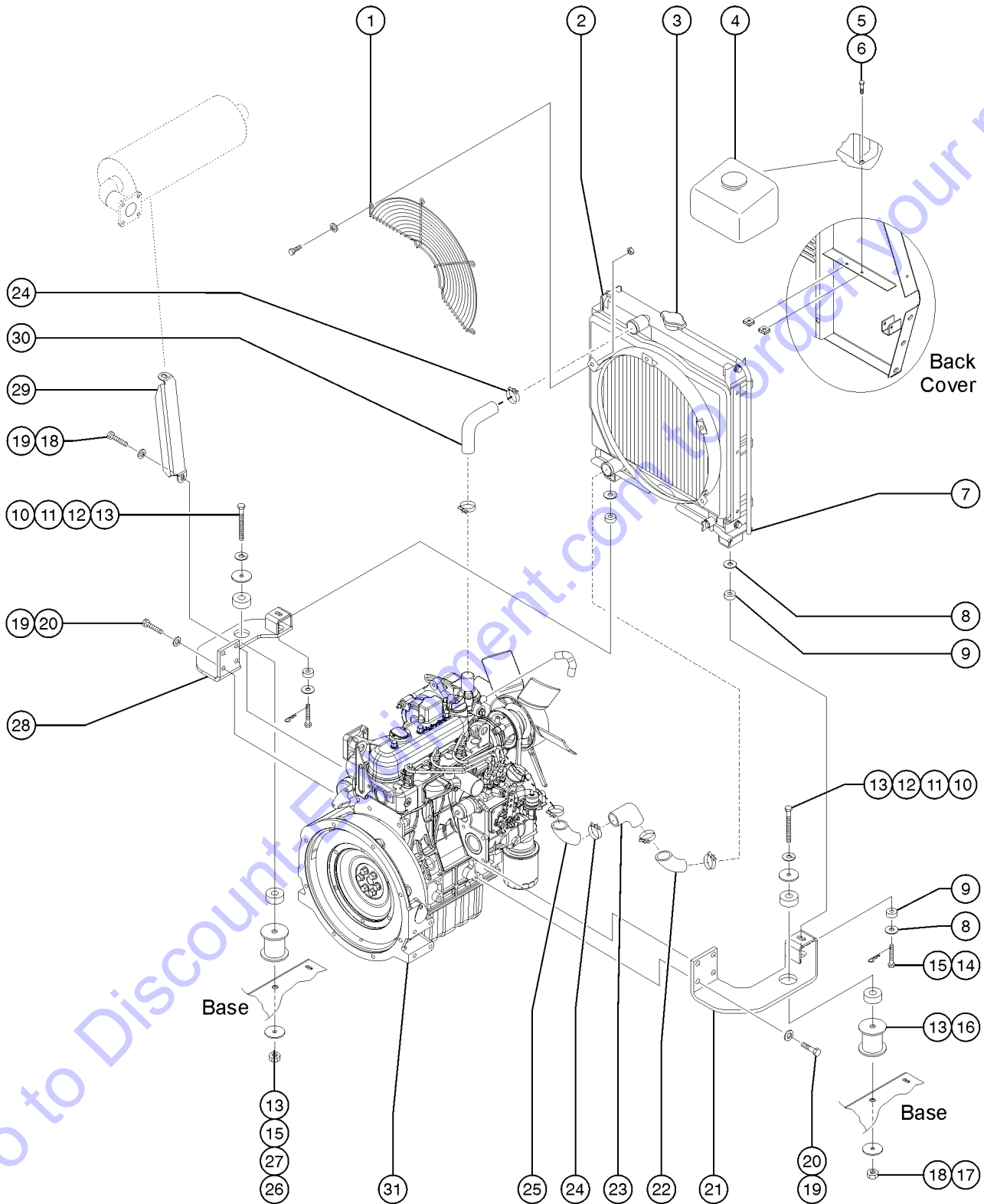


Go to Discount-Equipment.com to order your parts

Item	Part No.	Description	Qty.
--	C61100200GT	WINCH,W/HNDL,5.1:1,1500LBS.....1 <i>(item 15 not included)</i>	
1	1256081GT	SERVICE KIT,PINION SHAFT-K1550.....1	
2	1256082GT	SERVICE KIT,PINION SHAFT-K2550.....1	
3	1256081GT	SERVICE KIT,PINION SHAFT-K1550.....1	
4	1256083GT	SVC KIT, FRICTION DISC K/KX.....2	
5	1256081GT	SERVICE KIT,PINION SHAFT-K1550.....1	
6		PINION GEAR AND DISC K-1550 (7590).....1	
7		PINION SHAFT.....1 <i>(not available separately)</i>	
8		RETAINING RING (6200).....1 <i>(not available separately)</i>	
9	6291GT	RATCHET KIT (K-1500,K-1550)**.....1	
10		FRAME SPACER,K-1550 (7584).....1 <i>(not available separately)</i>	
11	12012GT	NUT,LOCK,3/8-16	
12		WINCH BRACKET, DRUM BOLT LOCK (31946).....1 <i>(not available separately)</i>	
13	22832GT	SCREW,HHC,3/8-16 X 6	
14	6184GT	SPACER, DRUM BOLT, K-1550.....1	
15	6190GT	CABLE KEEP.KIT (BRACKET TYPE)*.....1 <i>includes fasteners</i>	
16	6198GT	NUT,NYLOCK,1/2-13.....2	
17	69209GT	SCREW,HHC,3/8-16 X 5.5 GRD 8	
18	16342GT	WINCH HANDLE-O.A.LENGTH-11".....1	
19	6034GT	NUT,HEX,JAM,1/2-13	

Go to Discount-Equipment.com to order your parts

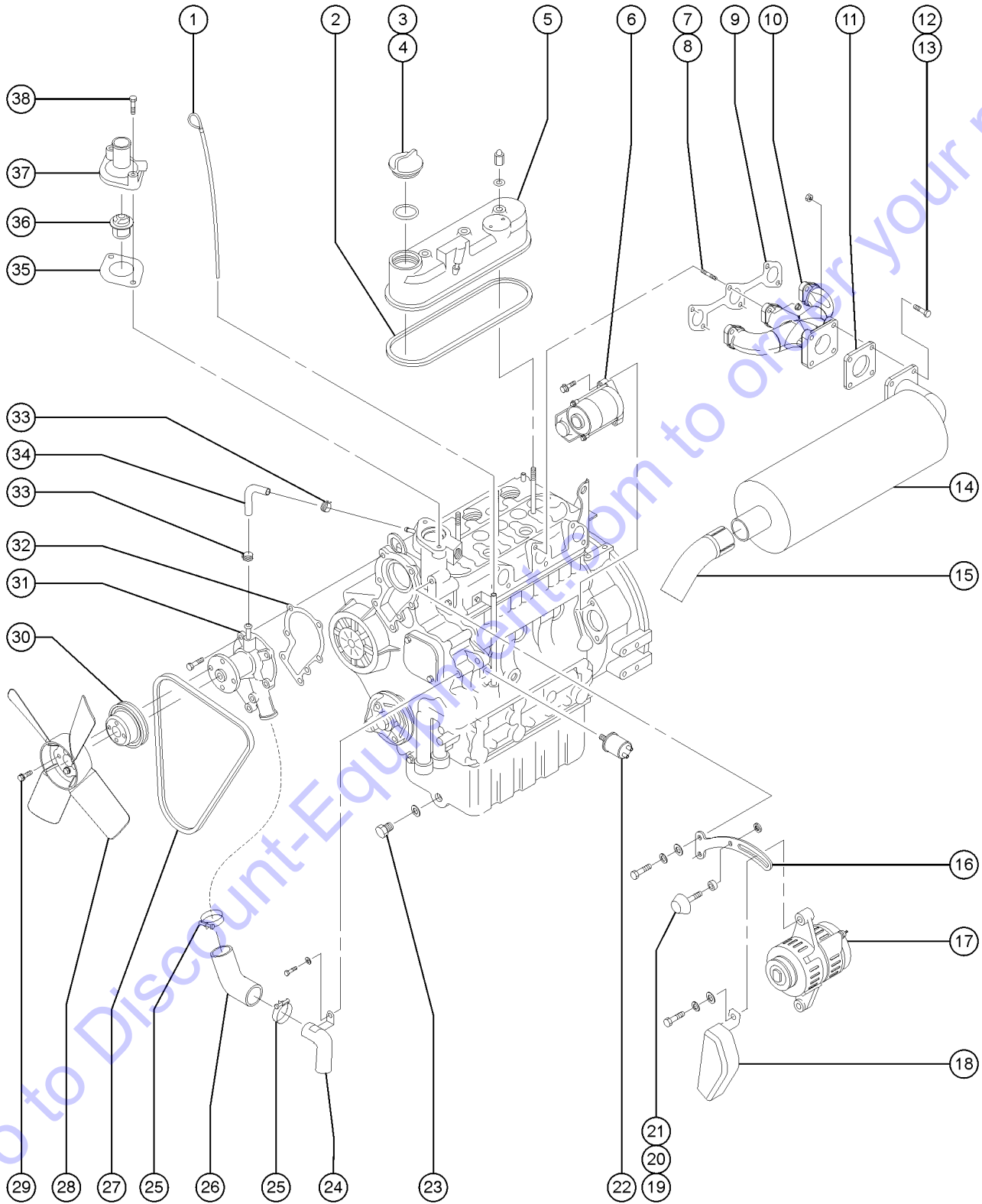
301.1 Kubota D1105-E3BG, View 1



301.1 Kubota D1105-E3BG, View 1

Item	Part No.	Description	Qty.	Item	Part No.	Description	Qty.
1	866113GT	GUARD,FAN,KUBOTA.....	1	26	990200GT	NUT,NYLOCK,1/2-13 GR2.....	2
2	866110GT	RADIATOR, KUBOTA, D905 & D1105.....	1	27	990210GT	WASHER FLAT 1/2ZP.....	2
3A	110523GT	CAP,RADIATOR,AL,KUBOTA DF-752..... <i>aluminum radiator</i>	1	28	22124016GT	ENGINE FOOT/RAD SUPPORT,CURBSD.....	1
3B	866120GT	CAP,RADIATOR,KUBOTA D905 <i>copper radiator</i>		29	116733GT	MUFFLER BRACE.....	1
4	865307GT	TANK,RECOVERY,COOLANT,KUBOTA..	1	30	839109GT	RADIATOR HOSE,KUBOTA.....	1
5	C51601442GT	SCREW FLANGE 1/4 -20X.....	2	31	732205PPGT	ENGINE,KUBOTA,D1105 PAK.....	1
6	C51600800GT	NUT CLIP 1/4 -20X3/4.....	2				
7	890790GT	HOSE,FUEL,1/4"ID,PUSH LOK,200#..... <i>this part is sold by the foot, this application requires at least 32 inches.</i>	3				
8	865263GT	KUBOTA 15111-72200 WASHER.....	4				
9	740770GT	VIBRATION MOUNT,35"..... <i>vibration mounts are 2 pieces</i>	2				
10A	995380GT	SCREW,HHC,1/2-13 X 6.5..... <i>Kubota models with 6kW generator</i>	2				
10B	116252GT	SCREW,HHC,1/2-13X7 GR5 YEL <i>Kubota models with 7.5kW and 8kW generators</i>					
11	991650GT	WASHER LOCK 1/2ZP.....	2				
12	990415GT	WASHER,FLAT,SNUB 1/2X2-3/4 ZN.....	2				
13A	80379GT	ISOLATOR, ENGINE MOUNT..... <i>Kubota models with 6kW and 8kW generators</i>	2				
13B	740920GT	ISOLATOR,ENGINE,390LB <i>Kubota models with 7.5kW generator</i>					
14	161109GT	BOLT,M10-1.25 x 35,W/HOLE.....	2				
15	865085GT	KUBOTA SNAP PIN.....	2				
16A	22124025GT	ENGINE RISER,2/75"H,FOR 1/2BLT..... <i>2.75 inches</i>	2				
16B	116249GT	AS:ENGINE RISER 3.25 HIGH <i>3.25 inches</i>					
16C	184315GT	FP-GENSET SPACER <i>1.5 inches</i>					
16D	184325GT	FP-GENSET SPACER P <i>1.0 inch</i>					
17	995110GT	SCREW,HHC,M10X1.25 X 35MM GR 8.....	2				
18	994830GT	WASHER,LOCK,M10 ZP.....	2				
19	995110GT	SCREW,HHC,M10X1.25 X 35MM GR 8.....	10				
20	994830GT	WASHER,LOCK,M10 ZP.....	10				
21	22124015GT	ENG FOOT/RAD SUPPORT, ROADSIDE.....	1				
22	839110GT	HOSE,RADIATOR,LOWER,KUBOTA.....	1				
23	866394GT	KUBOTA WATER PIPE.....	1				
24	32185GT	CLAMP,HOSE.....	6				
25	116523GT	KUBOTA HOSE,D905, D1105.....	1				

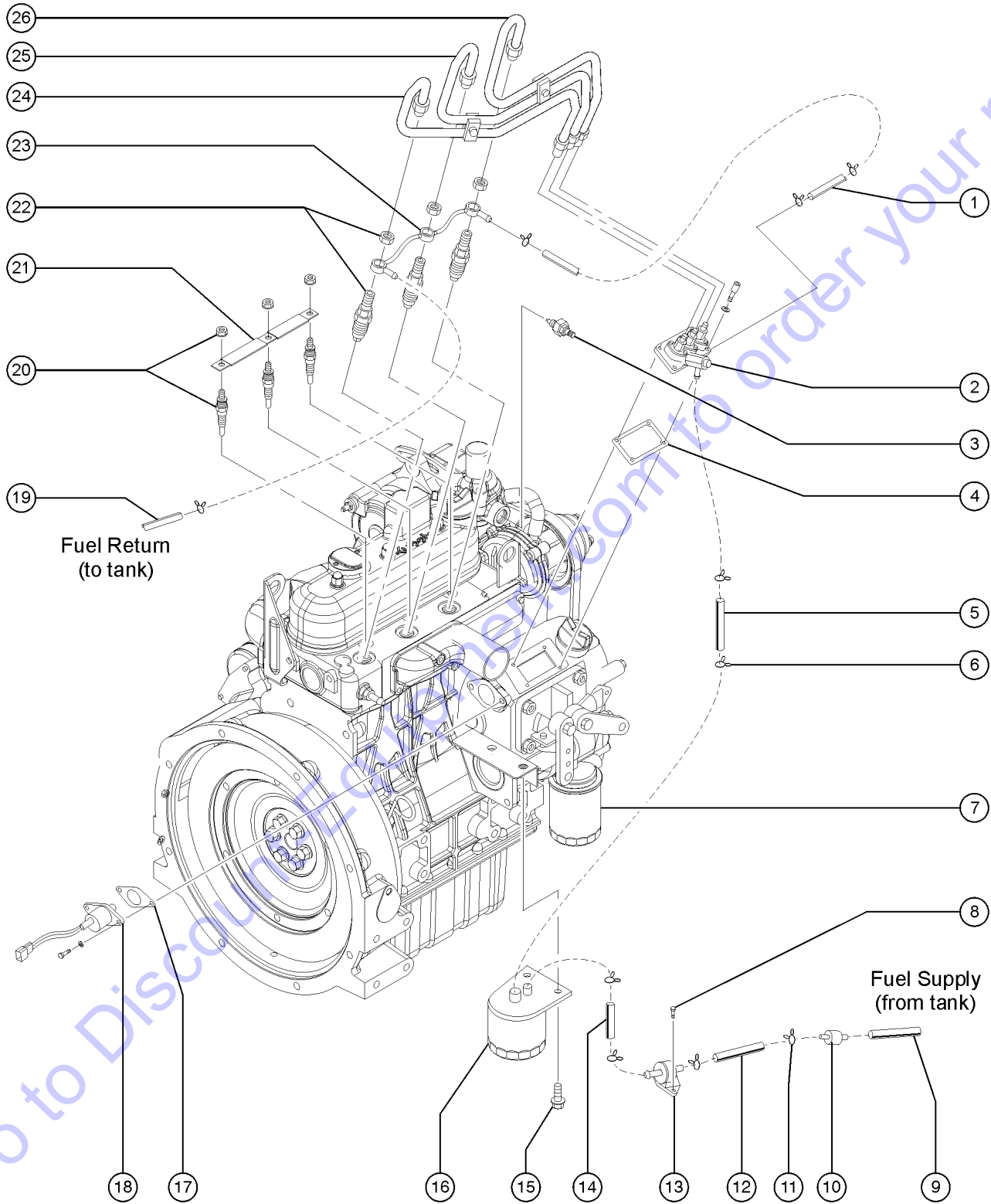
302.1 Kubota D1105-E3BG, View 2



Go to Discount-Equipment.com to order your parts

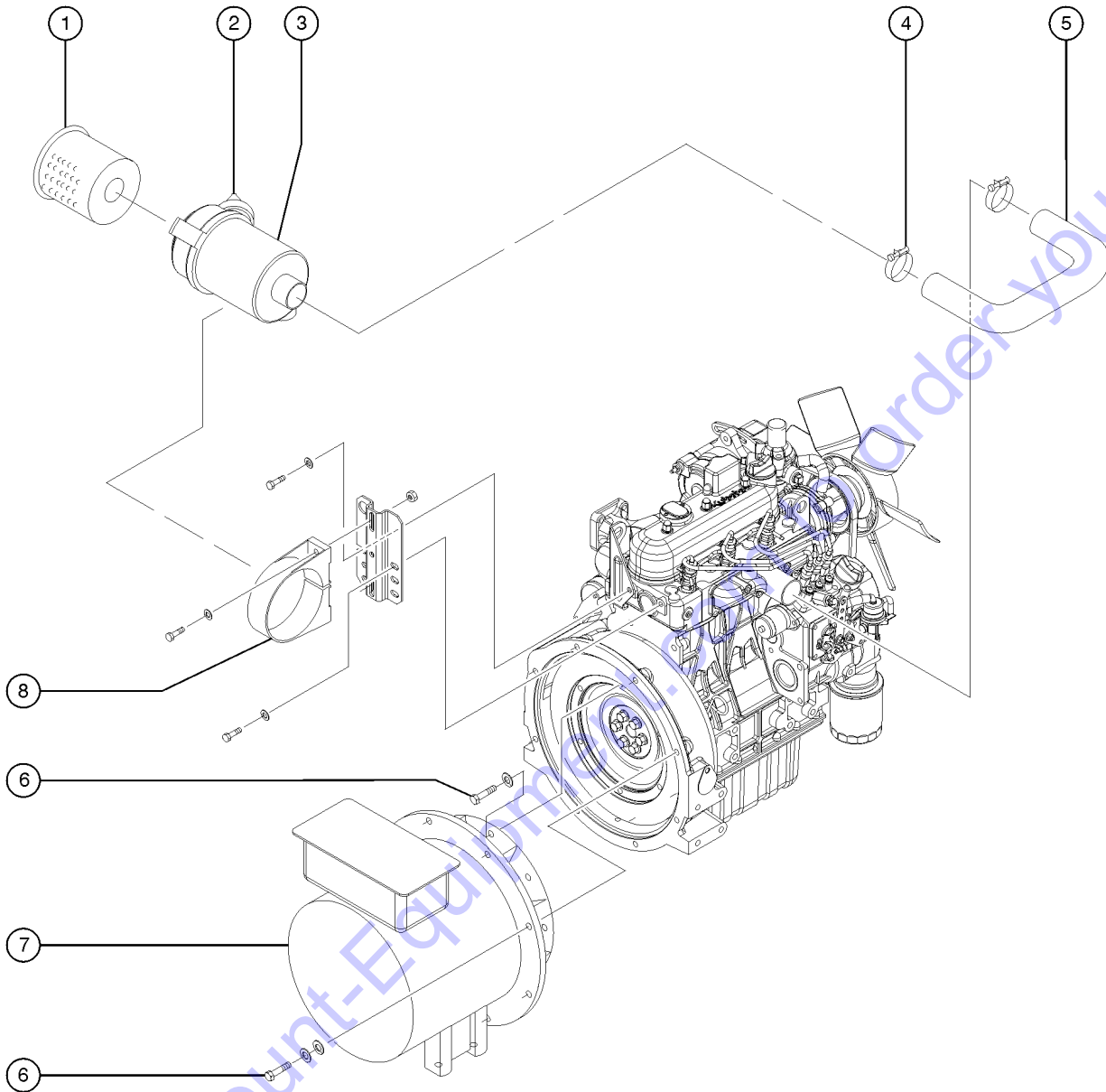
Item	Part No.	Description	Qty.	Item	Part No.	Description	Qty.
1	839154GT	DIPSTICK,OIL,KUBOTA		35	865435GT	KUBOTA 16221-73270GASKET	
2	839244GT	KUBOTA HEAD COVER GASKET		36	139278GT	THERMOSTAT	
3	839151GT	KUBOTA OIL FILLER PLUG,V1305		37	139279GT	THERMOSTAT COVER	
4	839034GT	KUBOTA O-RING		38	62296GT	SCREW,M8 X 35MM	
5	44191GT	VALVE COVER, D905					
6	866101GT	STARTER,KUBOTA,D1105/905					
7	101208GT	STUD,EXHAUST MANIFOLD					
8	101209GT	NUT,EXHAUST MANIFOLD					
9	32191GT	GASKET,EXHAUST MANIFOLD,D905					
10	839246GT	KUBOTA EXHAUST MANIFOLD					
11	832128GT	GASKET,MUFFLER,KUBOTA D905/11					
12	839103GT	KUBOTA 01123-50820 BOLT					
13	865055GT	KUBOTA NUT					
14A	865276GT	MUFFLER,KUBOTA					
--	866825GT	KUBOTA 66711-54520COV (muffler cover)					
15	125395GT	TAILPIPE,8K EXHAUST					
16	116833GT	KUBOTA DYNAMO STAY					
17	866090GT	ALTERNATOR,KUBOTA*					
18	866081GT	KUBOTA BELT COVER					
19	30973GT	BUMPER,RUBBER-1 X 1.25					
20	116503GT	BUSHING, 630DX.328ID .375T					
21	6782GT	NUT,NYLOCK,5/16-18					
22	839190GT	SWITCH,LOW OIL PRESS,KUBOTA					
23A	52532GT	PLUG,ENGINE OIL DRAIN,D-905***1 <i>bottom of oil pan (not shown)</i>					
23A	52533GT	GASKET (52532) OIL DRAIN, D905.....1 <i>for 52532GT</i>					
23B	234842GT	PLUG, ENGINE OIL, D1105.....1 <i>bottom of oil pan (not shown)</i>					
23B	84042GT	GASKET-DRAIN PLUG,ENG OIL PAN....1 <i>for 234842GT</i>					
23C	974800GT	KIT:OIL DRAIN W/VALVE,KUBOTA <i>(includes valve, clamp and hose)</i>					
24	116523GT	KUBOTA HOSE,D905, D1105					
25	32185GT	CLAMP,HOSE					
26	866394GT	KUBOTA WATER PIPE					
27	839209GT	V-BELT,KUBOTA					
28	839134GT	FAN,PUSHER,KUBOTA 15263-12370					
29	839027GT	KUBOTA FLANGE BOLT					
30	52531GT	PULLEY,FAN,KUBOTA, D-905,GS68					
31	101201GT	WATER PUMP ASSY,KUBOTA					
32	32199GT	GASKET,WATER PUMP					
33	32069GT	CLAMP,HOSE,KUBOTA WG750					
34	839011GT	KUBOTA WATER PIPE 16241-73350					

303.1 Kubota D1105-E3BG, View 3



Item	Part No.	Description	Qty.
1	839157GT	KUBOTA OVERFLOW PIPE.....1 <i>(to tank)</i>	1
2	839149GT	KUBOTA INJECTOR PUMP, D1105.....1	1
3	741140GT	ENGINE ACCESSORY TEMP SENDER.....1	1
4	32103GT	GASKET,INJECTION PUMP <i>(quantities vary)</i>	
5	890795GT	HOSE,FUEL,5/16"ID.....1.5-feet	1.5-feet
6	898590GT	HOSE FITTING PIPE/BAR.....3	3
7	866050GT	FILTER,OIL,KUBOTA.....1	1
8		Ref., SCREW <i>refer to 202.1</i>	
9		Ref., FUEL HOSE <i>refer to 202.1</i>	
10		Ref., IN-LINE FILTER <i>refer to 202.1</i>	
11		Ref., HOSE CLAMP <i>refer to 202.1</i>	
12		Ref., FUEL HOSE <i>refer to 202.1</i>	
13		Ref., FUEL PUMP <i>refer to 202.1</i>	
14		Ref., FUEL HOSE <i>refer to 202.1</i>	
15	839103GT	KUBOTA 01123-50820 BOLT.....2	2
16	839107GT	FILTER,FUEL,KUBOTA.....1 <i>filter head and element</i>	1
--	1274237GT	BRACKET, FUEL FILTER.....1 <i>filter mount bracket</i>	1
--	839200GT	ELEMENT,FUEL FILTER,KUBOTA <i>for 839107GT</i>	
17	866040GT	GASKET,SOLENOID,KUBOTA.....1 <i>for 866030GT, 866044GT</i>	1
18	866030GT	SOLENOID,FUEL,3 WIRE,KUBOTA <i>3-wire solenoid</i>	
18	99199GT	SOLENOID,KUBOTA D9/1105 SHTDWN.....1 <i>2-wire solenoid</i>	1
18A		Ref., SOLENOID WIRE HARNESS <i>refer to 405.1</i>	
19		Ref., FUEL HOSE <i>refer to 202.1</i>	
20	839119GT	KUBOTA GLOW PLUG.....3	3
21	62118GT	JUMPER-GLOW PLUG.....1	1
22	865257GT	KUBOTA KIT, HOLDER,NOZZLE.....3	3
23	865100GT	KUBOTA OVER FLOW PIPE.....1	1
24	44196GT	PIPE,INJECTOR 1,D905,D1105.....1	1
25	44197GT	PIPE,INJECTOR 2,D905,D1105.....1	1
26	44198GT	PIPE,INJECTOR 3,D905,D1105.....1	1

304.1 Kubota D1105-E3BG, View 4

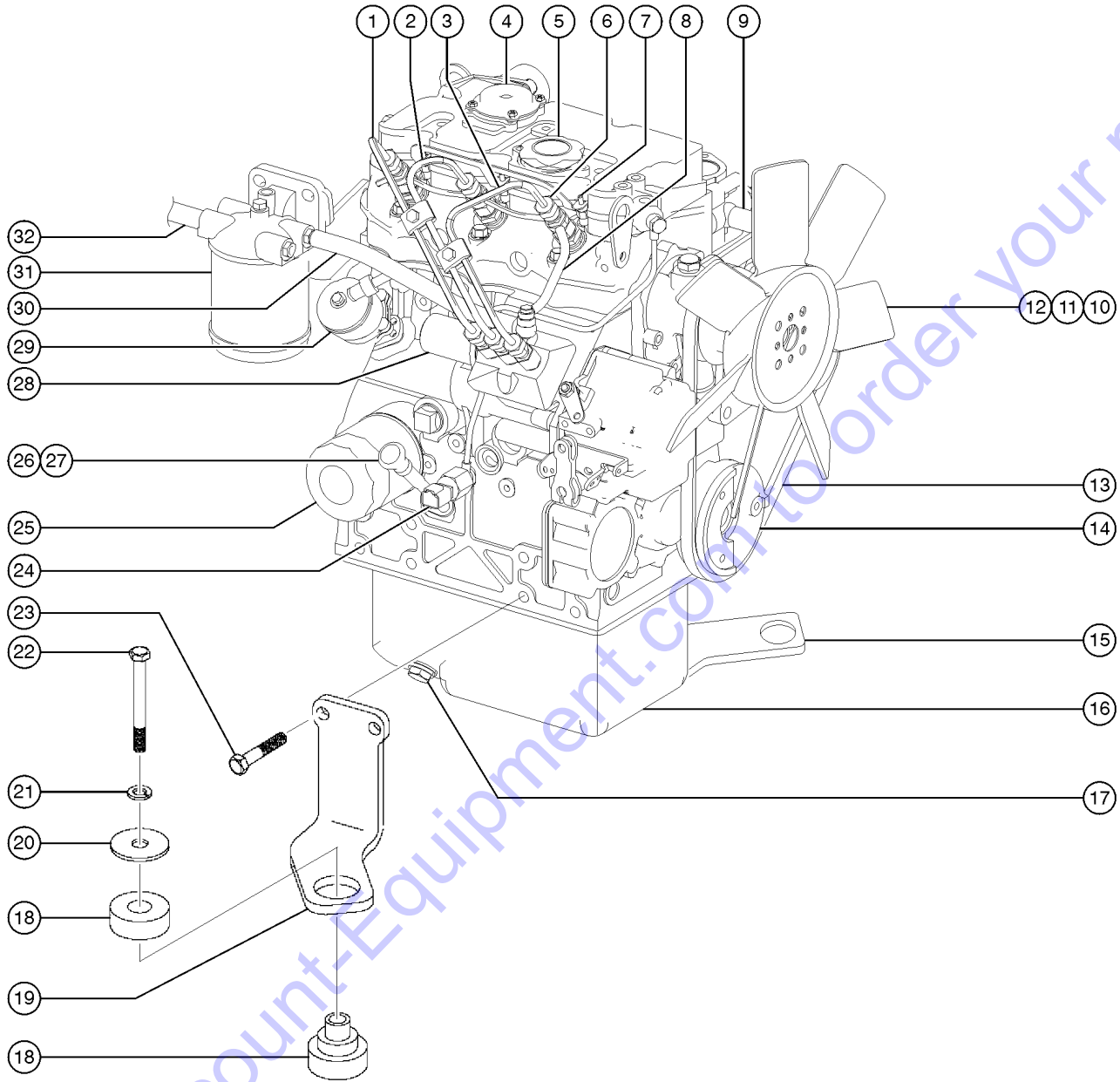


Go to Discount-Equipment.com to order your parts

Item	Part No.	Description	Qty.
1	866127GT	ELEMENT,AIR CLEANER,KUBOTA.....1	
2	866129GT	VALVE,AIR CLEANER,KUBOTA.....1	
3A	866126GT	BODY,AIR CLEANER,KUBOTA.....1	
3B	866128GT	COVER,AIR CLEANER,KUBOTA.....1	
4	839049GT	KUBOTA 15263-12370BAND PIPE.....2	
5	231332GT	HOSE, INTAKE, KUBOTA D1105.....1	
6		Ref, GENERATOR FASTENERS <i>refer to 307.1</i>	
7		Ref, GENERATOR <i>refer to 307.1</i>	
8	231333GT	AIR CLEANER BRACKET, D1105.....1	

Go to Discount-Equipment.com to order your parts

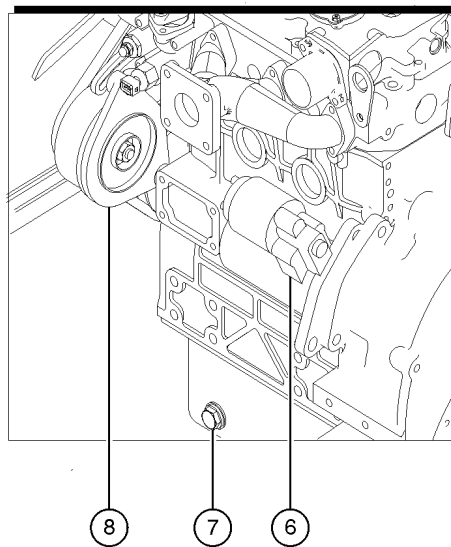
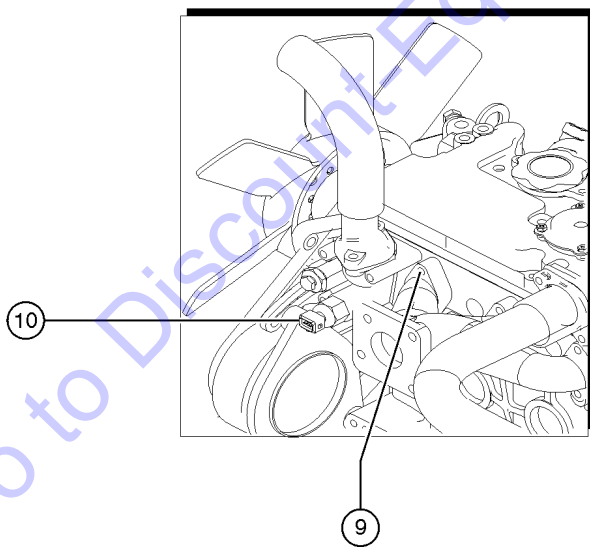
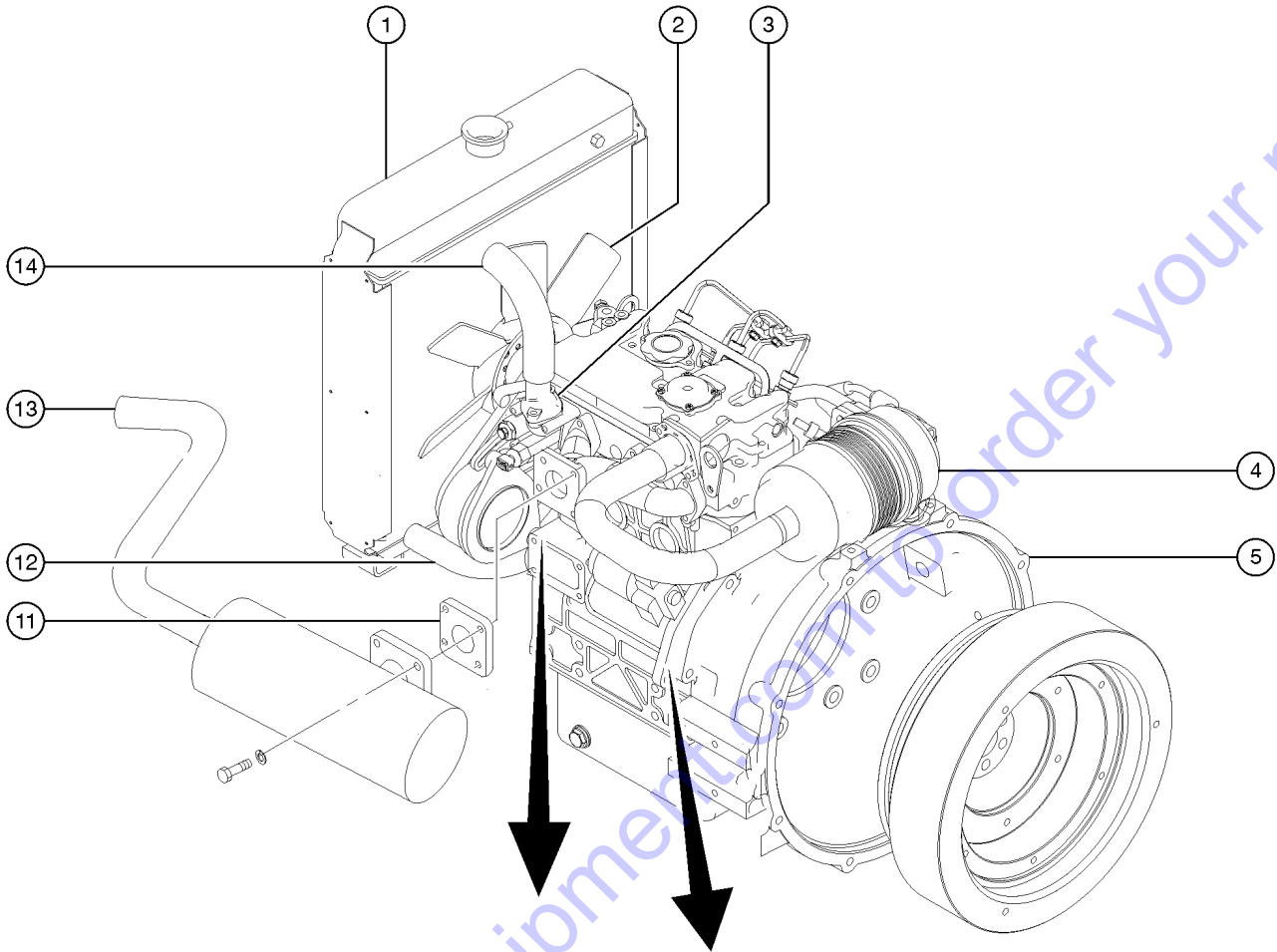
305.1 Perkins 403D-11G, View 1



Go to Discount-Equipment.com to order your parts

Item	Part No.	Description	Qty.
1	84812GT	PIPE,INJECTOR 1, 403C-11	
2	84813GT	PIPE,INJECTOR 2, 403C-11	
3	84814GT	PIPE,INJECTOR 3, 403C-11	
4	84860GT	VALVE COVER BREATHER	
5	65636GT	CAP, OIL FILLER	
5	65638GT	SEAL, OIL FILLER CAP	
6	139272GT	FUEL INJECTOR	
7	84815GT	GLOW PLUG, 403C-11	
8	237707GT	HOSE,FUEL LEAK-OFF,403D-11G	
9	89764GT	HOSE, WATER PUMP (PERKINS 404)	
10	101341GT	FAN	
11	101319GT	FAN PULLEY	
12	101322GT	PUMP,WATER	
--	89764GT	HOSE, WATER PUMP (PERKINS 404)	
--	97483GT	GASKET,WATER PUMP, 403C-11	
13	85071GT	BELT-FAN, PERKINS (103.10)	
14	97427GT	PULLEY,CRANK, 403C-11	
15	116519GT	FP-ENG MNT RT FOOT CS PERK T4	
16	85140GT	GASKET-OIL PAN,PERKINS 103.10	
17	237774GT	PLUG,OIL DRAIN,PERKINS 403D-11G	
--	85124GT	GASKET,SOLENOID,PERKINS 72350	
18	116729GT	ISOLATOR,ENGINE,70D	
19	116518GT	FP-ENG MNT RT FOOT RS PERK T4	
20	990415GT	WASHER,FLAT,SNUB 1/2X2-3/4 ZN	
21	991650GT	WASHER LOCK 1/2ZP	
22	990270GT	SCREW,HHC,1/2-13 X 3.5 GR8	
23	R981095GT	SCREW,HHC,M12X1.25X30MM,GR8.8	
24	237776GT	SWITCH,OIL PRES,PERK 403D-11G	
25	85069GT	FILTER, OIL-PERKINS (103-10)**	
26	101320GT	DIPSTICK,STRAIGHT SHORT	
27	97461GT	DIPSTICK TUBE,PERKINS(403C-11)	
28	106663GT	SOLENOID,SHUT DOWN PERKIN40422	
29	72348GT	PUMP,LIFT(FUEL) PERKINS(54555)	
29	89761GT	O-RING, LIFT PUMP,(PERKINS 404	
30	236046GT	HOSE, FUEL FILTER -INJ., 403D	
31	94889GT	FUEL FILTER ASSEMBLY	
--	62421GT	FILTER,FUEL,PERKINS	
32		Ref., FUEL HOSE <i>refer to 202.1</i>	

306.2 Perkins 403D-11G, View 2 (from serial number RL4011-4236)

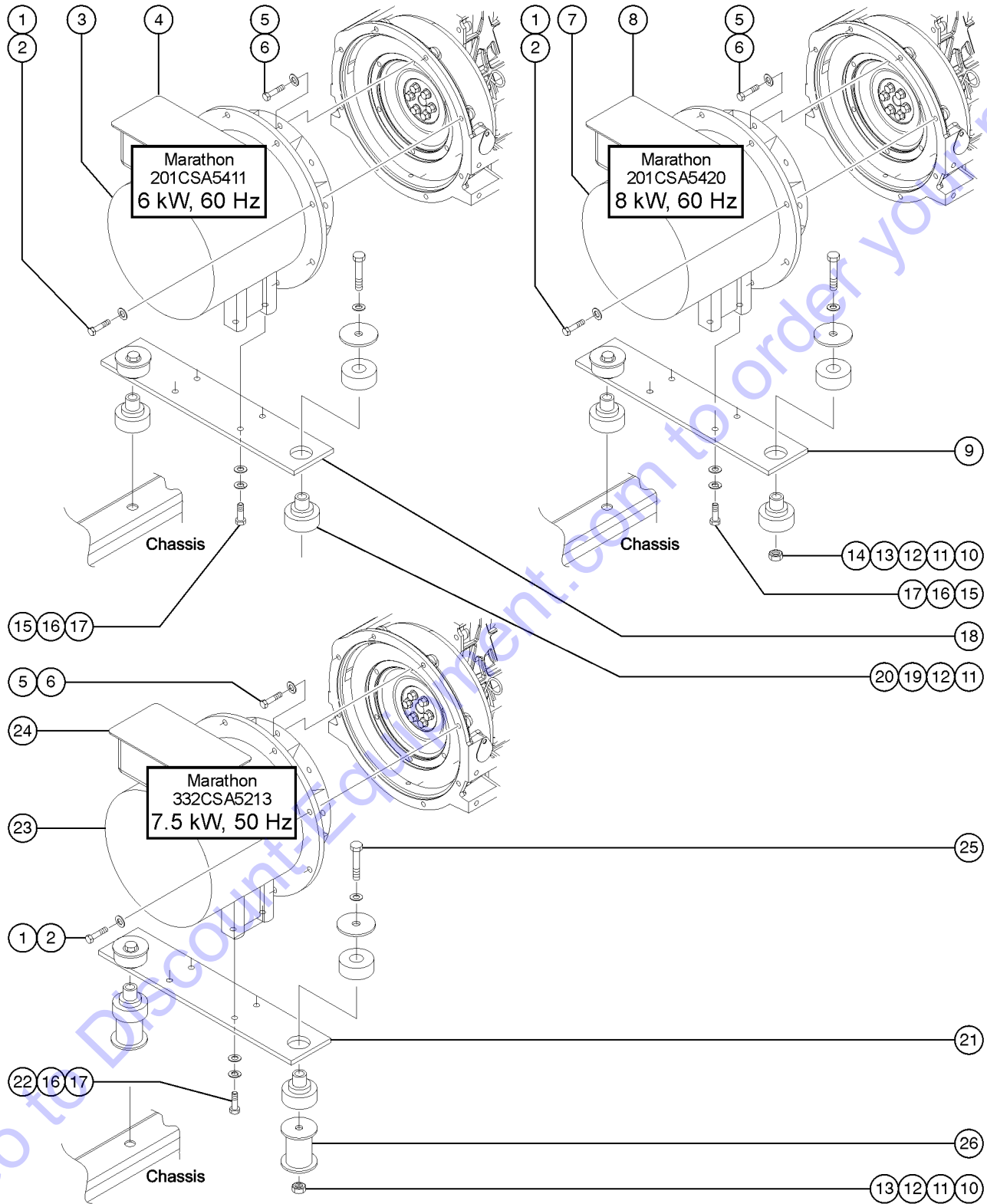


306.2 Perkins 403D-11G, View 2 (from serial number RL4011-4236)

Item	Part No.	Description	Qty.
1	58291GT	RADIATOR,PERKINS,TML.....	1
--	85130GT	CAP-RADIATOR,PERKINS (103.10)	
2		Ref., FAN <i>refer to 305.1</i>	
3	139265GT	WATER OUTLET, VERTICAL.....	1
--	1257665GT	GASKET, THERMOSTAT, PERKINS.....	1
--	237708GT	THERMOSTAT,PERKINS 403D-11G	
4	58427GT	AIR FILTER,ASSEMBLY.....	1
--	237775GT	BKT,FILTER MNT,PERKINS 403D-11G	
--	866068GT	PERKINS 135326205AIR <i>filter element</i>	
5	97426GT	HOUSING,FLYWHEEL,403C-11.....	1
6	228458GT	STARTER, PERKINS, 403D.....	1
7		Ref., OIL DRAIN PLUG <i>refer to 305.1</i>	
8	85089GT	ALTERNATOR,15A,PERKINS 103.10.....	1
--	85127GT	REGULATOR,12V-PERKINS 103.10.....	1
9	85087GT	MANIFOLD-EXHAUST,PERK (103.10)....	1
--	101326GT	STUDS,EXHAUST	
--	101327GT	NUTS,EXHAUST	
--	85143GT	GASKET-EXHAUST MANIFOLD/PERKIN.....	1
10	97473GT	SENSOR,WATER TEMPERATURE.....	1
11	72343GT	GASKET,EXH FLANGE-FORD/PERKINS.....	1
12	58292GT	HOSE,RADIATOR,PERKINS,TML	
--	30348GT	CLAMP,HOSE,1.00	
13	1275721GT	MUFFLER, PERKINS, RL-4..... <i>from serial number RL4011-4236</i>	1
14	97428GT	HOSE,RADIATOR,UPPER PRKNS,TML	
--	30348GT	CLAMP,HOSE,1.00	

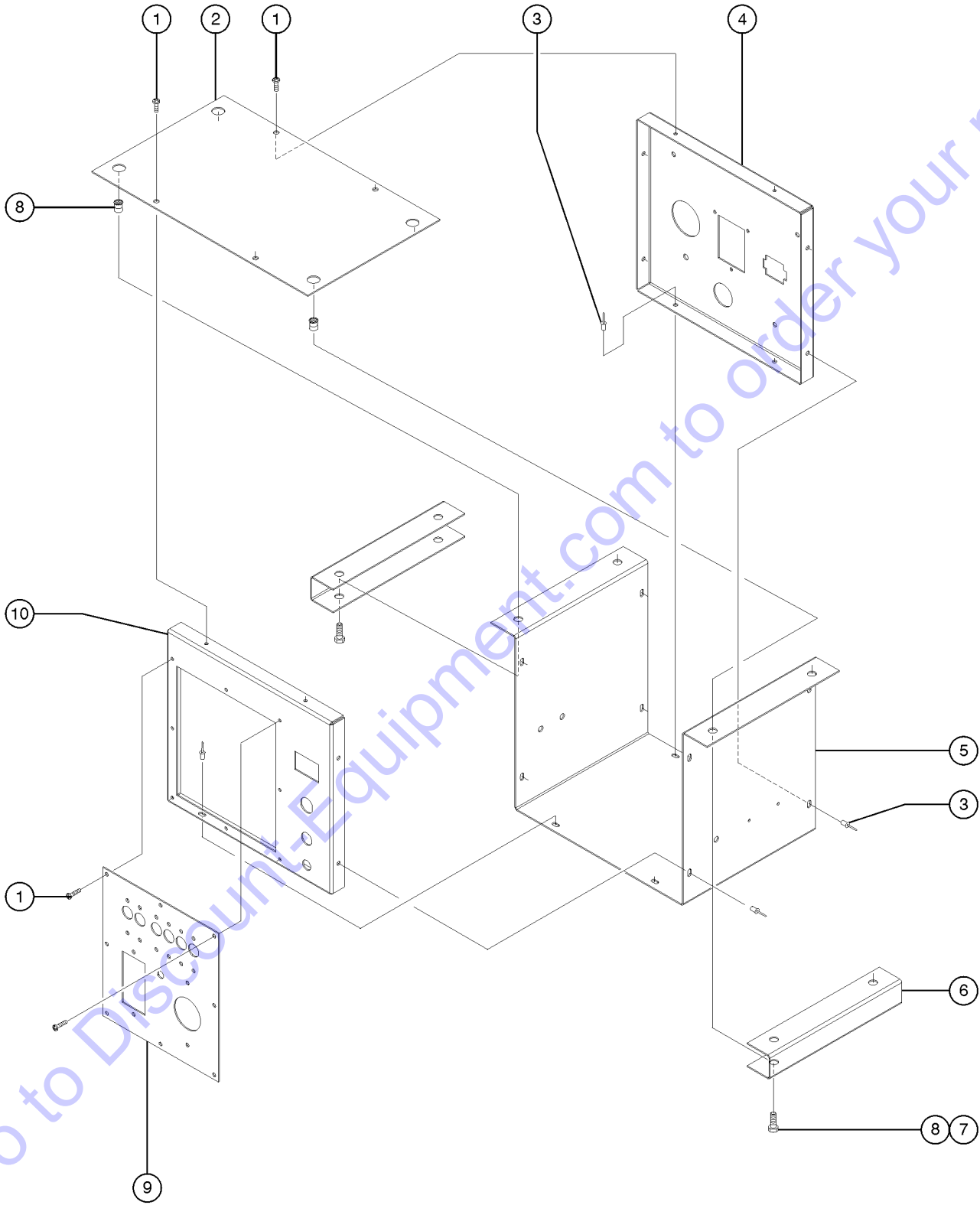
Go to Discounted Equipment.com to order your parts

307.1 Generators



Item	Part No.	Description	Qty.	Item	Part No.	Description	Qty.
A	1277953GT	TERMINAL BLOCK,MARATHON GENERATOR(85206)		--	116187GT	TERMINAL BLOCK (for 201CSA5420)	
1	991761GT	SCREW,HHC,3/8-16 X 1.25.....8	8	9	189347GT	BRACKET,GENERATOR MOUNT.....1	1
2	990470GT	WASHER LOCK 3/8ZP.....8	8	10	6198GT	NUT,NYLOCK,1/2-13.....2	2
3	85206GT	GENERATOR,6KVA,240VAC,60HZ.....1 6 kW, 60 Hz (Marathon 201CSA5411)	1	11	80379GT	ISOLATOR, ENGINE MOUNT.....2	2
--	116168GT	BEARING, ODE (opposite engine end)		12	990415GT	WASHER,FLAT,SNUB 1/2X2-3/4 ZN.....2	2
--	116172GT	O-RING (opposite engine end)		13	990210GT	WASHER FLAT 1/2ZP.....2	2
--	116177GT	DRIVE DISC(C-107) MARATHON (engine end)		14	6-5208-32GT	SCREW,HHC,1/2-13X4,GR8.....2	2
--	116178GT	HUB SPACER (engine end)		15A	991761GT	SCREW,HHC,3/8-16 X 1.25.....4 models with Kubota engine	4
--	161151GT	BRACKET, BEARING ODE (5411) (for generator 201CSA5411)		15B	991761GT	SCREW,HHC,3/8-16 X 1.25.....2 models with Perkins engine	2
--	836853GT	DIODE,MARATHON (opposite engine end)		16A	990470GT	WASHER LOCK 3/8ZP.....4 models with Kubota engine	4
--	836856GT	MARATHON SUPPRESSOR/VARISTOR (opposite engine end)		16B	990470GT	WASHER LOCK 3/8ZP.....2 models with Perkins engine	2
4		Ref., WIRE HARNESS refer to 405.1		17A	981120GT	WASHER FLAT 3/8 ZP SAE BIN.....4 models with Kubota engine	4
4	116184GT	CLAMP,CAPACITOR (for 201CSA5411)		17B	981120GT	WASHER FLAT 3/8 ZP SAE BIN.....2 models with Perkins engine	2
4	116187GT	TERMINAL BLOCK (for 201CSA5411)		18A	189347GT	BRACKET,GENERATOR MOUNT.....1 models with Kubota engine (shown)	1
4	58356GT	CAPACITOR-ROUND 25MF (for 201CSA5411)		18B	116517GT	FP-GEN MOUNT BAR RL PERK T4.....1 models with Perkins engine	1
5	123840GT	SCREW,HHC,5/16-18X.75,GR8,Y.....6	6	19	991650GT	WASHER LOCK 1/2ZP.....2	2
6	990460GT	WASHER LOCK 5/16 ZP BIN.....6	6	20	990270GT	SCREW,HHC,1/2-13 X 3.5 GR8.....2	2
7	116253GT	GENERATOR,8KW,240V,60HZ,MAR.....1 8 kW, 60 Hz (Marathon 201CSA5420)	1	21	116244GT	FP-GEN MNT BAR,MAR SM HOLES.....1	1
--	116168GT	BEARING, ODE (opposite engine end)		22	981450GT	SCREW,HHC,3/8-16 X 1.5.....4	4
--	116169GT	BEARING,BRKT,ODE(5412)		23	116254GT	GENERATOR,6.5KW,220V,50HZ,MAR 7.5 kW, 50 Hz (Marathon 332CSA5213)	
--	116172GT	O-RING (opposite engine end)		--	116177GT	DRIVE DISC(C-107) MARATHON (engine end)	
--	116177GT	DRIVE DISC(C-107) MARATHON (engine end)		--	836853GT	DIODE,MARATHON (opposite engine end)	
--	116178GT	HUB SPACER (engine end)		--	836856GT	MARATHON SUPPRESSOR/VARISTOR (opposite engine end)	
--	836853GT	DIODE,MARATHON (opposite engine end)		--	T111700GT	BEARING, MARATHON GEN (opposite engine end)	
--	836856GT	MARATHON SUPPRESSOR/VARISTOR (opposite engine end)		24		Ref., WIRE HARNESS refer to 405.1	
8	229457GT	CAPACITOR, 8KW GENERATOR,5420 (for 201CSA5420) (630V)		24	116184GT	CLAMP,CAPACITOR (for 332CSA5213)	
--		Ref., WIRE HARNESS refer to 405.1		24	85207GT	CAPACITOR,45 MF***OVAL (for 332CSA5213)	
--	116184GT	CLAMP,CAPACITOR (for 201CSA5420)		25	116252GT	SCREW,HHC,1/2-13X7 GR5 YEL	
				26	184315GT	FP-GENSET SPACER	

401.1 Control Box, 60HZ, View 1 (from SN RL413-6092 to RL415-12444)

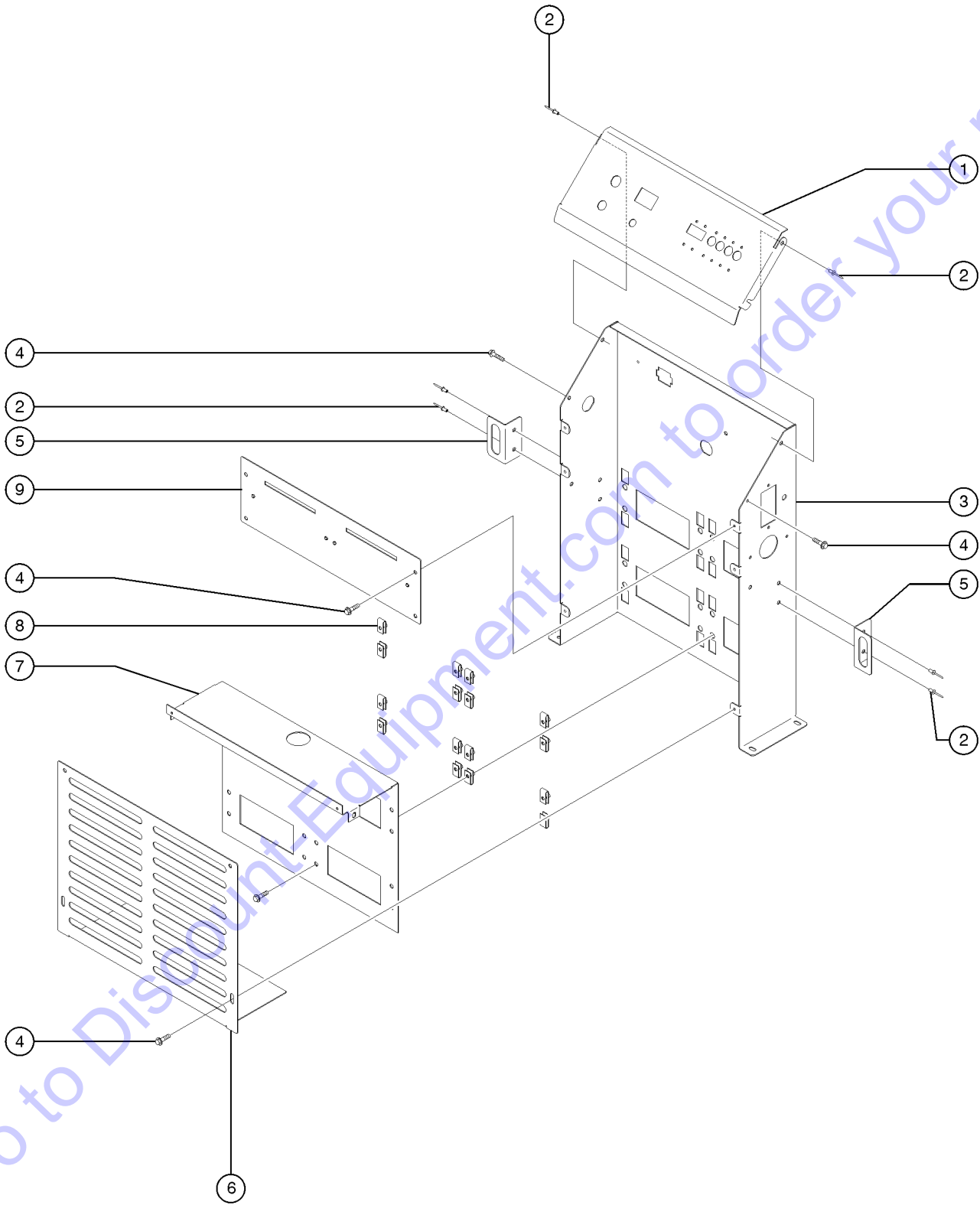


401.1 Control Box, 60HZ, View 1 (from SN RL413-6092 to RL415-12444)

Item	Part No.	Description	Qty.
1	996340GT	SCREW,PHM,10-16 X 3/4 <i>(tek screw)</i>	
2	186543GT	FP-CONTROL BOX, TOP.....	1
3	990670GT	RIVET,POP,SS,3/16"X1/2" BLIND	
4		PANEL,REAR,CTRL BOX (186540GT)...1 <i>(available soon) (replaced 186542GT from RL413-6097)</i>	
5	186540GT	BASE,CONTROL BOX,AL4 CONS.....	1
6	116121GT	BRKT,E-BOX HANGER,SHORT.....	2
7	C51601444GT	SCREW,FLANGE,1/4-20X1/2" PATCH	
8	993310GT	NUTSERT,1/4-20	
9	T109757GT	PANEL,CNTL BOX FACE,CSA.....	1
10	186544GT	BRACKET,E-BOX,AUTOSTART,AL4.....	1

Go to Discount-Equipment.com to order your parts

401.2 Control Box, 60HZ, View 1 (from RL415-12445)

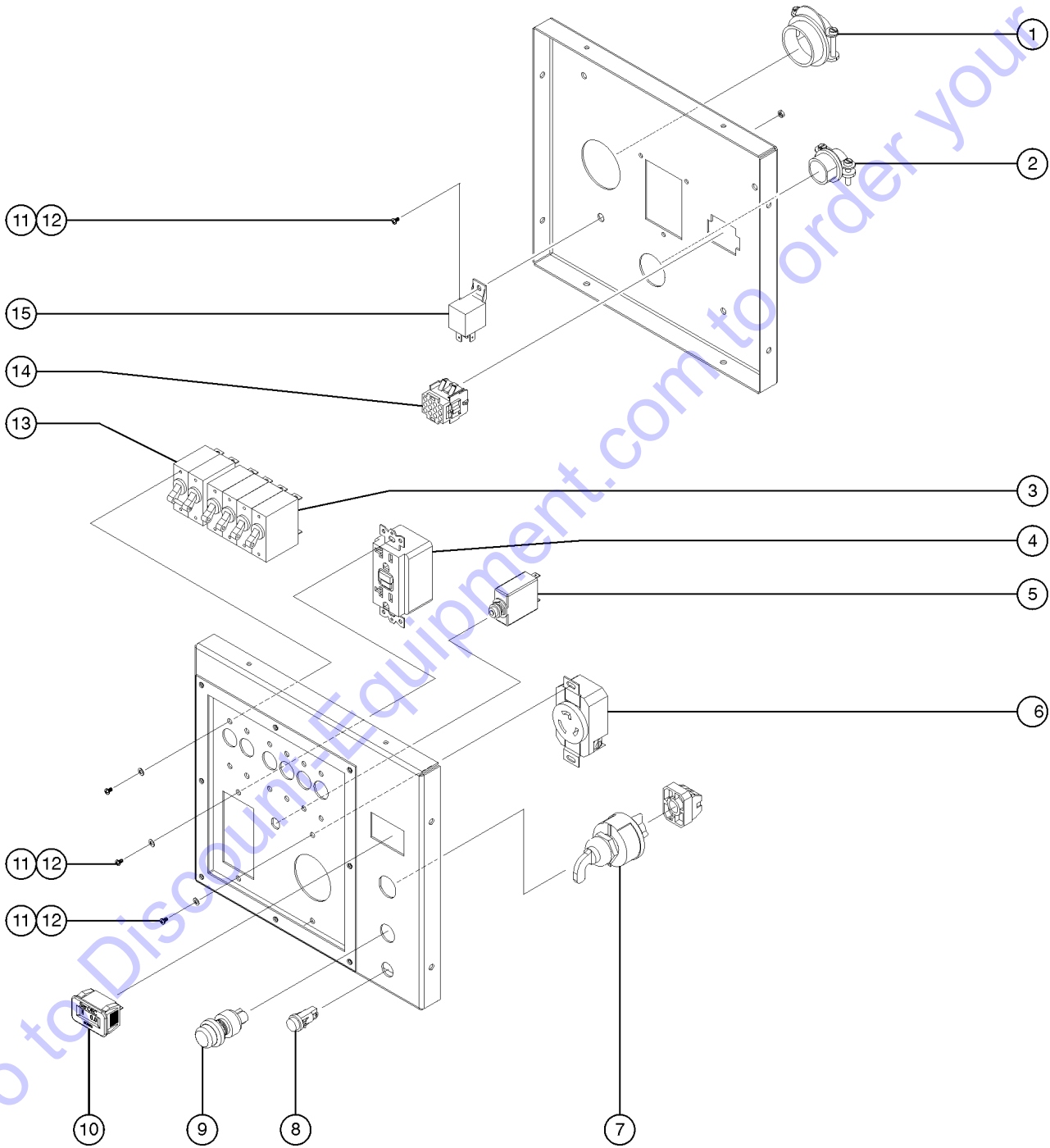


401.2 Control Box, 60HZ, View 1 (from RL415-12445)

Item	Part No.	Description	Qty.
1	1256268GT	PANEL, FACE, CONTROL BOX.....	1
2		RIVET, .250 X .375.....	8
3	1254929GT	PANEL, BACK, CONTROL BOX.....	1
4		SCREW, #10-24 X .500 THREAD FORMER.....	15
5	1256920GT	BRACKET, LIFT CONTROL BOX.....	2
6	1256199GT	PANEL, COVER, TRANSFORMER.....	1
7	1256194GT	SHIELD, RAIN, TRANSFORMER.....	1
8	C51600500GT	NUT CLIP, 1/4-20 X 1/2.....	16
9	1256200GT	PANEL, MID, CONTROL BOX.....	1

Go to Discount-Equipment.com to order your parts

402.1 Control Box, 60HZ, View 2 (from SN RL413-6092 to RL415-12444)



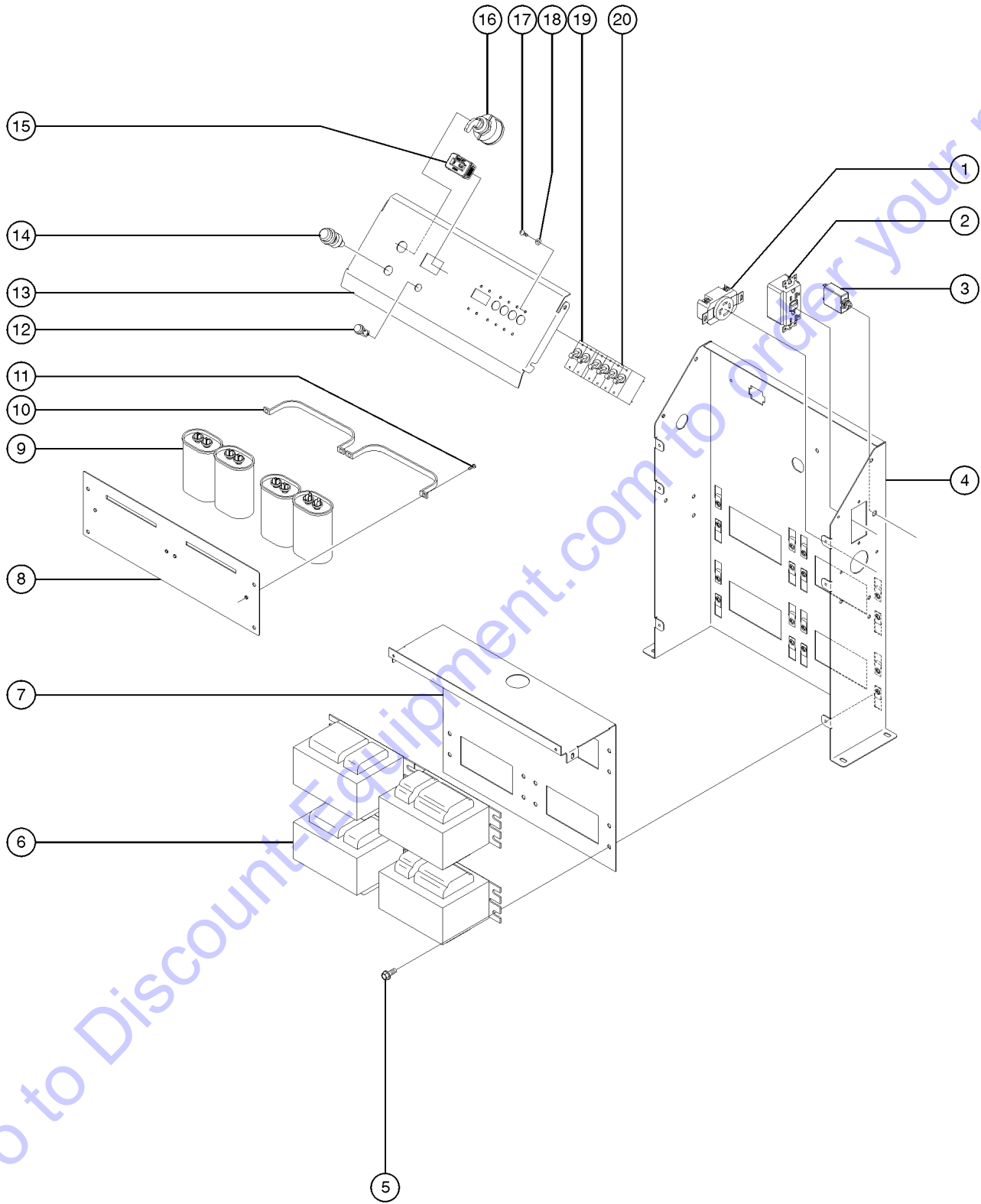
Go to DiscountEquipment.com to order your parts

402.1 Control Box, 60HZ, View 2 (from SN RL413-6092 to RL415-12444)

Item	Part No.	Description	Qty.
A	826910GT	KIT CNTRL BOX 60HZ ALRL4 (to SN RL413-6096)	
--	822789GT	CNTRL,BOX,60HZ,MH,4PTL (to SN RL413-6096)	
--	826915GT	KIT CONTROL BOX TO COIL CORD (to SN RL413-6096)	
B	822789GT	CNTRL,BOX,60HZ,MH,4PTL (boxes with 4 pole receptacle) (replaced 218588 from SN RL413-6097)	
1	686220GT	CONNECTOR 2 SCREW 1.25T-B.....	1
2	680030GT	CONNECTOR 2 SCREW 3/4.....	1
3	T113641GT	BREAKER,15A,120VAC 1P,CSA.....	4
4	684640GT	RECEPTACLE 20A 120V DUPLEX GFI.....	1
5	T113642GT	BREAKER,20A MINI,120VAC 1P,CSA.....	1
6A	684450GT	RECEP 30A 20V 3POLE..... (boxes with 3 pole receptacle)	1
6B	686160GT	RECEP 30A 120/240V 4 POLE..... (boxes with 4 pole receptacle)	1
7	684380GT	IGNITION SWITCH,LEVER OPR.....	1
--		DIODE, 12V DC 6A..... refer to 405.1	1
8	682715GT	LIGHT INDICATOR 12VRED.....	1
9	R660010GT	SWITCH PUSH-BUTTON W/BOOT.....	1
10	T106193GT	HOURLMETER,DIGITAL,RECTANGULAR.	1
11	55306GT	SCREW,PHILLIPS,PHM,4-40 X .50.....	2
12	40766GT	NUT,NYLOCK,4-40.....	2
13	T113644GT	BREAKER,30A 250VAC 2P,CSA.....	2
14	684167GT	CONNECTOR 12P FEMALE.....	1
15	R661490GT	RELAY 12V DC 30A NO OR.....	1

Go to Discount-Equipment.com to order your parts

402.2 Control Box, 60HZ, View 2 (from RL415-12445)

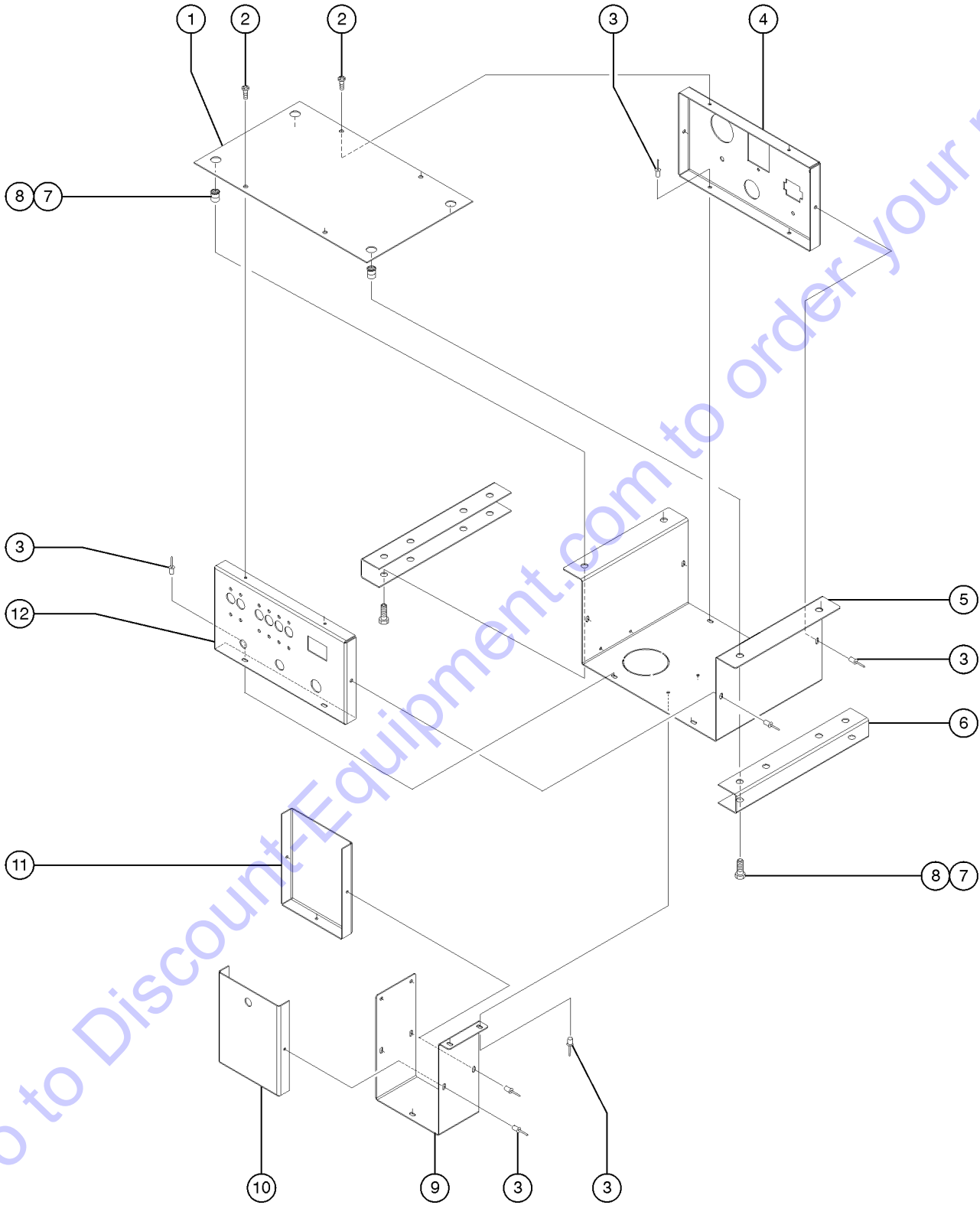


402.2 Control Box, 60HZ, View 2 (from RL415-12445)

Item	Part No.	Description	Qty.
1	686160GT	RECEP 30A 120/240V 4 POLE.....1 (boxes with 4 pole receptacle)	1
2	684640GT	RECEPTACLE 20A 120V DUPLEX GFI.....1	1
3	T113642GT	BREAKER,20A MINI,120VAC 1P,CSA.....1	1
4		Ref. PANEL, BACK, CONTROL BOX (refer to 401.2)	
5		SCREW, FLANGE, 1/4-20 X .75.....17	17
6	1255539GT	TRANSFORMER, MH, 60HZ 120V.....4	4
7		Ref. SHIELD, RAIN, TRANSFORMER (refer to 401.2)	
8		Ref. PANEL, MID, CONTROL BOX (refer to 401.2)	
9	160032GT	CAPACITOR 24uF MH 60H.....4	4
10		STRAP, CAPACITOR.....2	2
11	55306GT	SCREW,PHILLIPS,PHM,4-40 X .50.....2	2
12	682715GT	LIGHT INDICATOR 12VRED.....1	1
13		Ref. PANEL, FACE, CONTROL BOX.....1 (refer to 401.2)	1
14	R660010GT	SWITCH PUSH-BUTTON W/BOOT.....1	1
15	T106193GT	HOURMETER,DIGITAL,RECTANGULAR.1	1
16	684380GT	IGNITION SWITCH,LEVER OPR.....1	1
17	90604A144GT	SCREW, #6-32 X .25 PH.....12	12
18	92147A420GT	WASHER, SPLIT LOCK #6.....12	12
19	T113644GT	BREAKER,30A 250VAC 2P,CSA.....1	1
20	T113641GT	BREAKER,15A,120VAC 1P,CSA.....4	4

Go to Discount-Equipment.com to order your parts

403.1 Control Box, 50HZ, View 1 (from SN RL413-6092 to RL415-12444)

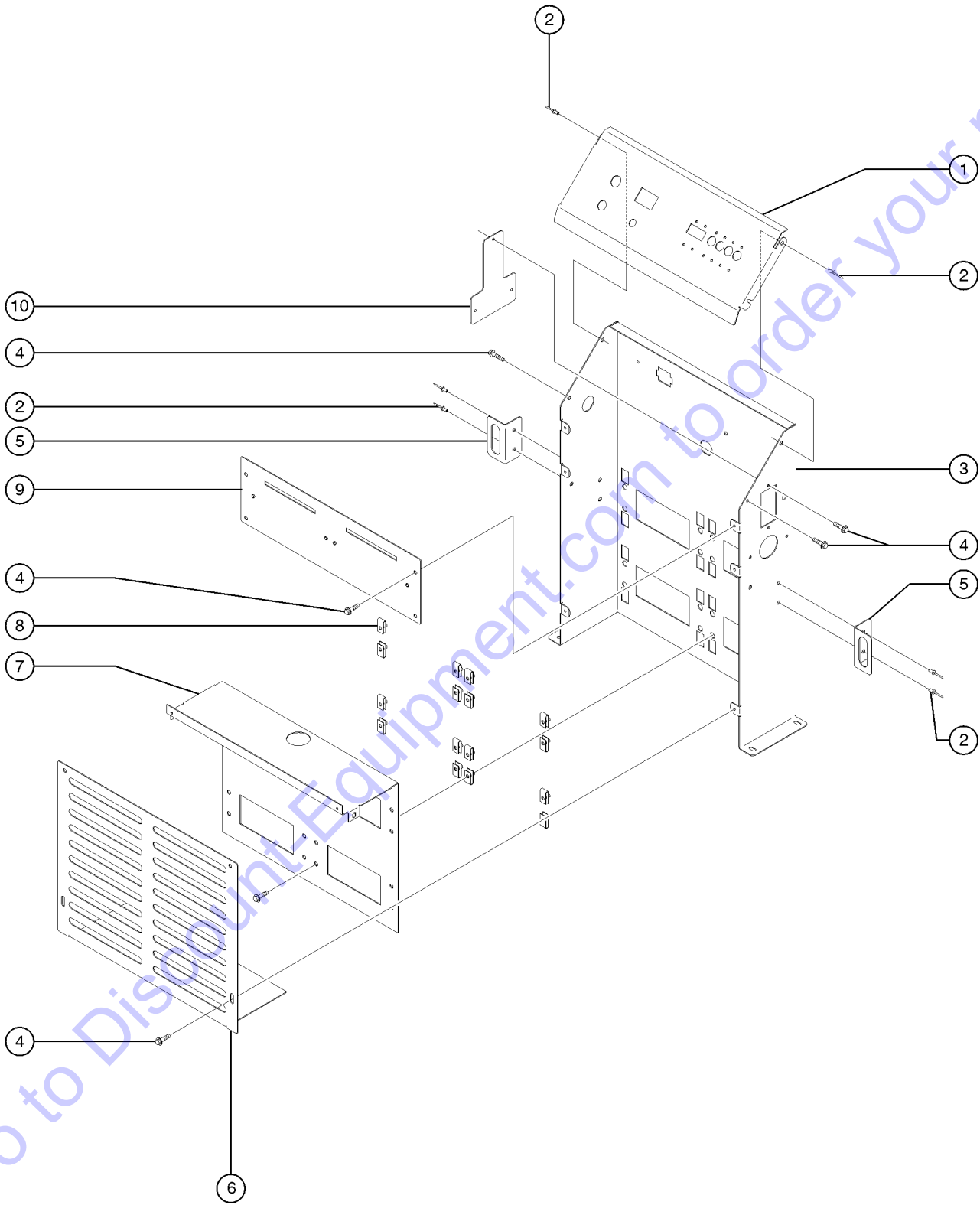


403.1 Control Box, 50HZ, View 1 (from SN RL413-6092 to RL415-12444)

Item	Part No.	Description	Qty.
1	186543GT	FP-CONTROL BOX, TOP.....	1
2	996340GT	SCREW, PHM, 10-16 X 3/4	
3	990670GT	RIVET, POP, SS, 3/16" X 1/2" BLIND	
4		FP-CONTROL BOX, REAR, SHORT..... <i>(replaced 116802GT from SN RL413-6097)</i> <i>(available soon)</i>	1
5	116801GT	FP-CONTROL BOX, BODY 50HZ.....	1
6	116874GT	FP-BRACKET, E-BOX HANGER.....	1
7	C51601444GT	SCREW, FLANGE, 1/4-20 X 1/2" PATCH	
8	993310GT	NUTSERT, 1/4-20	
9	116919GT	FP-CONTROL BOX REC BOTTOM.....	1
10	996920GT	FP-CONTROL BOX REC FRONT.....	1
11	116921GT	FP-CONTROL BOX REC BACK.....	1
12	116803GT	FP-CONTROL BOX, FRONT 50HZ.....	1

Go to Discount-Equipment.com to order your parts

403.2 Control Box, 50HZ, View 1 (from RL415-12445)

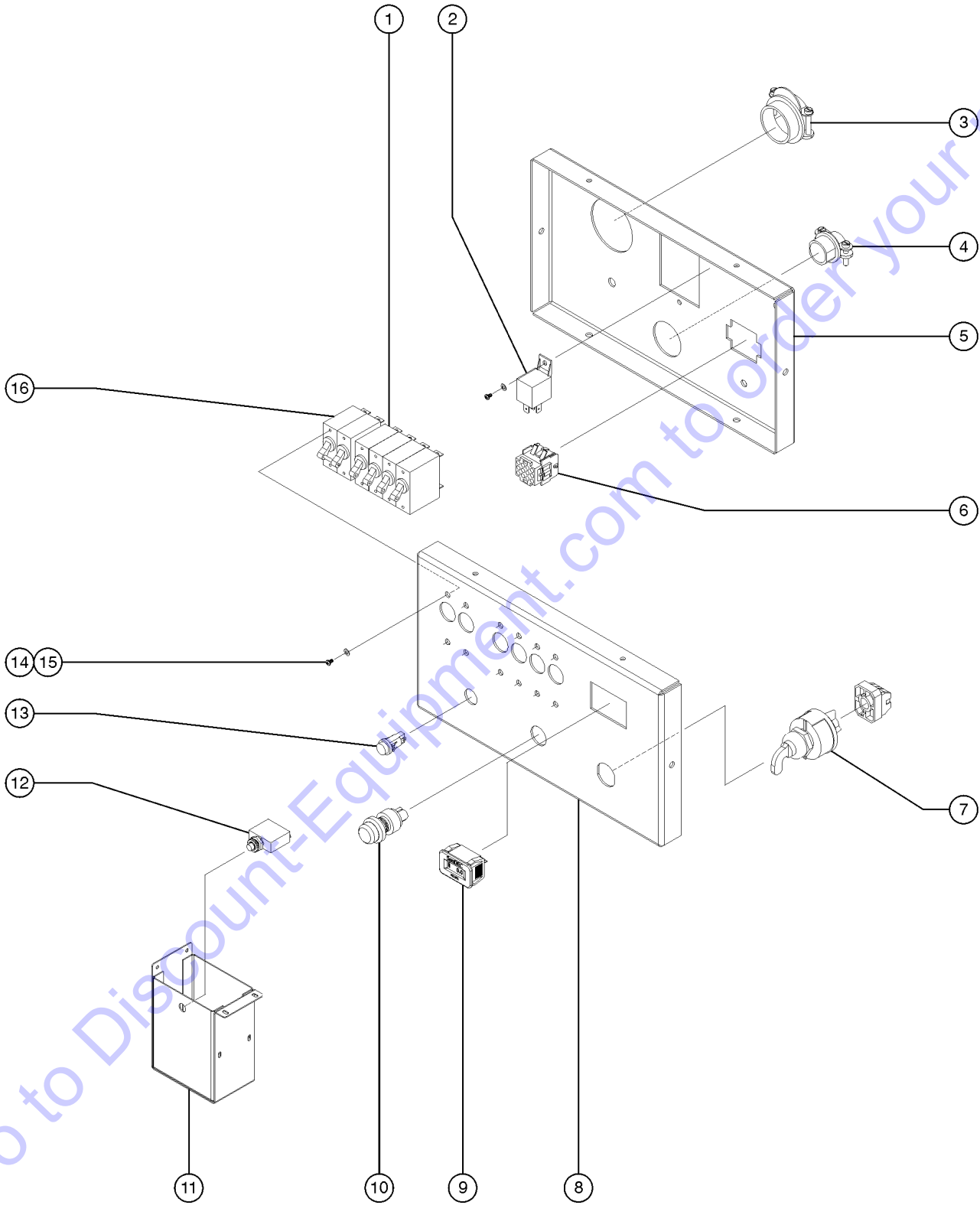


403.2 Control Box, 50HZ, View 1 (from RL415-12445)

Item	Part No.	Description	Qty.
1	1256268GT	PANEL, FACE, CONTROL BOX.....	1
2		RIVET, .250 X .375.....	8
3	1254929GT	PANEL, BACK, CONTROL BOX.....	1
4		SCREW, #10-24 X .500 THREAD FORMER.....	15
5	1256920GT	BRACKET, LIFT CONTROL BOX.....	2
6	1256199GT	PANEL, COVER, TRANSFORMER.....	1
7	1256194GT	SHIELD, RAIN, TRANSFORMER.....	1
8	C51600500GT	NUT CLIP, 1/4-20 X 1/2.....	16
9	1256200GT	PANEL, MID, CONTROL BOX.....	1
10	1254936GT	COVER, RECEPTACLE.....	1

Go to Discount-Equipment.com to order your parts

404.1 Control Box, 50HZ, View 2 (from SN RL413-6092 to RL415-12444)



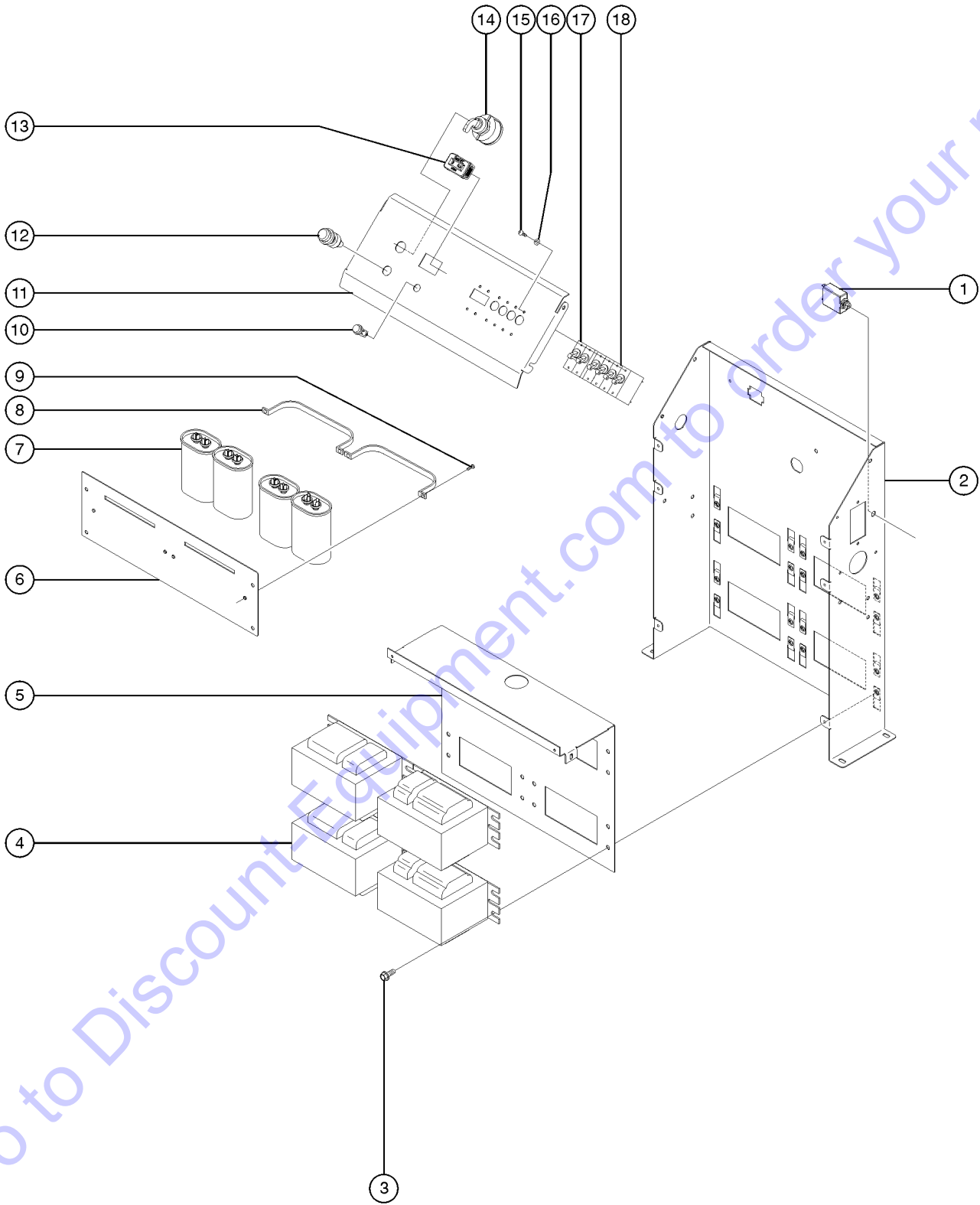
Go to Discount-Equipment.com to order your parts

404.1 Control Box, 50HZ, View 2 (from SN RL413-6092 to RL415-12444)

Item	Part No.	Description	Qty.
A	826911GT	KIT CNTRL BOX 50HZ ALRL4 (to SN RL413-6096)	
--	822784GT	CONTRL BOX 50HZ, MH, 7KW,AL,RL (to SN RL413-6096)	
--	826915GT	KIT CONTROL BOX TO COIL CORD (to SN RL413-6096)	
B	822784GT	CONTRL BOX 50HZ, MH, 7KW,AL,RL (replaced 116804GT from SN RL413-6097)	
1	683870GT	BREAKER 1P 15A 277VA.....1	
2	R661490GT	RELAY 12V DC 30A NO OR.....1	
3	686220GT	CONNECTOR 2 SCREW 1.25T-B.....1	
4	680030GT	CONNECTOR 2 SCREW 3/4.....1	
5		Ref. FP-CONTROL BOX REC BACK (refer to 403.1)	
6	684167GT	CONNECTOR 12P FEMALE.....1	
7	684380GT	IGNITION SWITCH,LEVER OPR.....1	
8		Ref. FP-CONTROL BOX REC FRONT (refer to 403.1)	
9	T106193GT	HOURMETER,DIGITAL,RECTANGULAR.1	
10	R660010GT	SWITCH PUSH-BUTTON W/BOOT.....1	
11		Ref. ELEC BOX (refer to 403.1)	
12	T113642GT	BREAKER,20A MINI,120VAC 1P,CSA.....1	
13	682715GT	LIGHT INDICATOR 12VRED.....1	
14	995300GT	SCREW,PHM,6-32 X .25.....12	
15	994420GT	WASHER,LOCK,#6 SS.....12	
16	T113644GT	BREAKER,30A 250VAC 2P,CSA.....2	

Go to Discount-Equipment.com to order your parts

404.2 Control Box, 50HZ, View 2 (from RL415-12445)



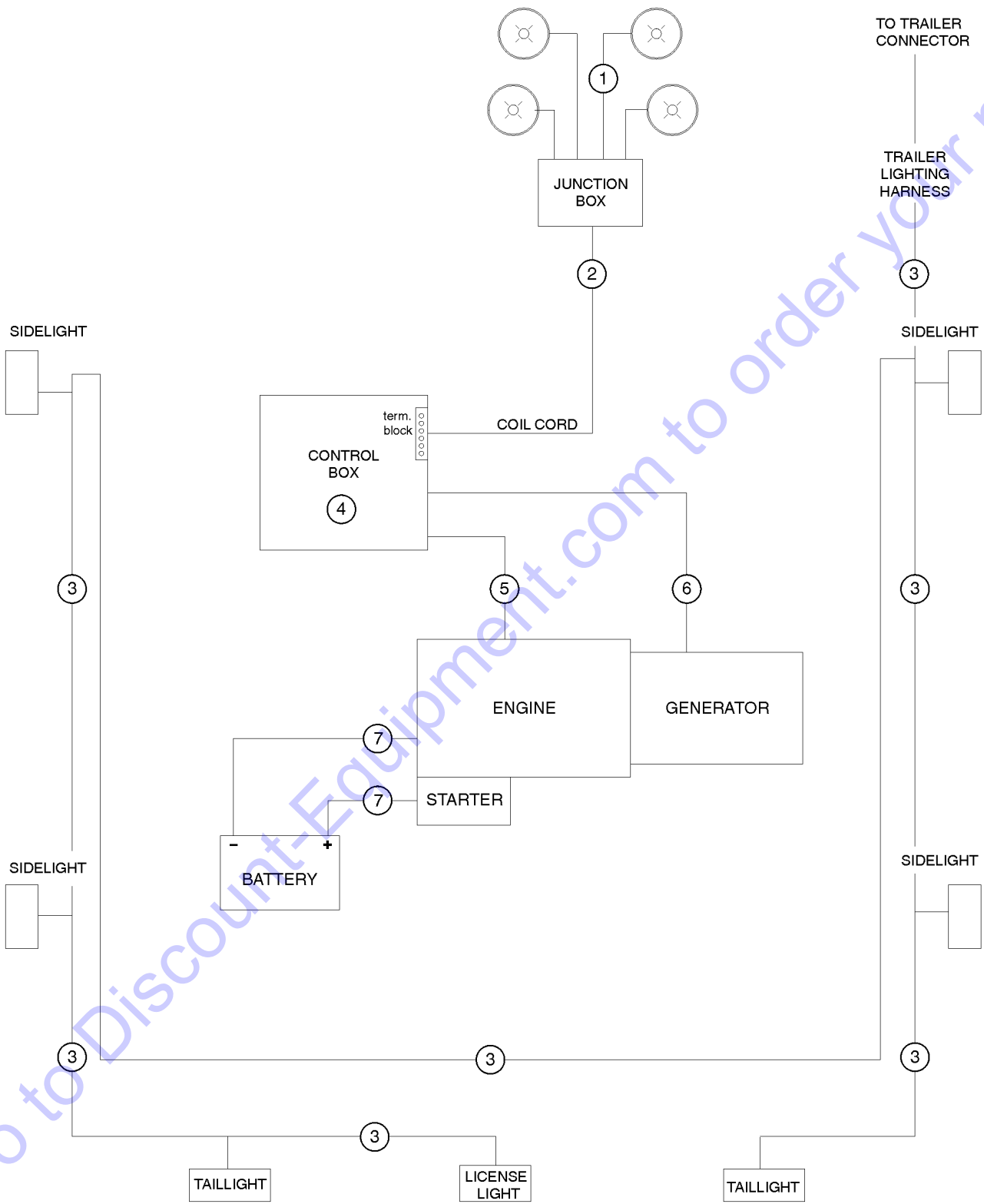
Go to DiscountEquipment.com to order your parts

404.2 Control Box, 50HZ, View 2 (from RL415-12445)

Item	Part No.	Description	Qty.
1	T113642GT	BREAKER,20A MINI,120VAC 1P,CSA.....1	
2		Ref. PANEL, BACK, CONTROL BOX (refer to 403.2)	
3		SCREW, FLANGE, 1/4-20 X .75.....17	
4	1255539GT	TRANSFORMER, MH, 60HZ 120V.....4	
5		Ref. SHIELD, RAIN, TRANSFORMER (refer to 403.2)	
6		Ref. PANEL, MID, CONTROL BOX (refer to 403.2)	
7	160032GT	CAPACITOR 24uF MH 60H.....4	
8		STRAP, CAPACITOR.....2	
9	55306GT	SCREW,PHILLIPS,PHM,4-40 X .50.....2	
10	682715GT	LIGHT INDICATOR 12VRED.....1	
11		Ref. PANEL, FACE, CONTROL BOX.....1 (refer to 403.2)	
12	R660010GT	SWITCH PUSH-BUTTON W/BOOT.....1	
13	T106193GT	HOURMETER,DIGITAL,RECTANGULAR.1	
14	684380GT	IGNITION SWITCH,LEVER OPR.....1	
15	90604A144GT	SCREW, #6-32 X .25 PH.....12	
16	92147A420GT	WASHER, SPLIT LOCK #6.....12	
17	T113644GT	BREAKER,30A 250VAC 2P,CSA.....1	
18	T113641GT	BREAKER,15A,120VAC 1P,CSA.....4	

Go to Discount-Equipment.com to order your parts

405.1 Electrical Wiring and Power Cables

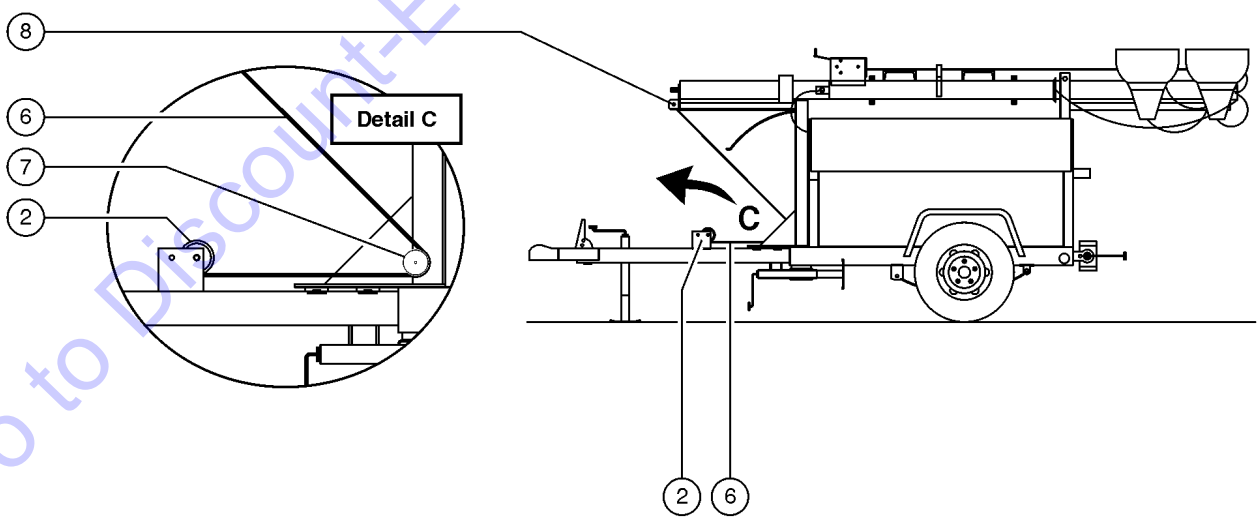
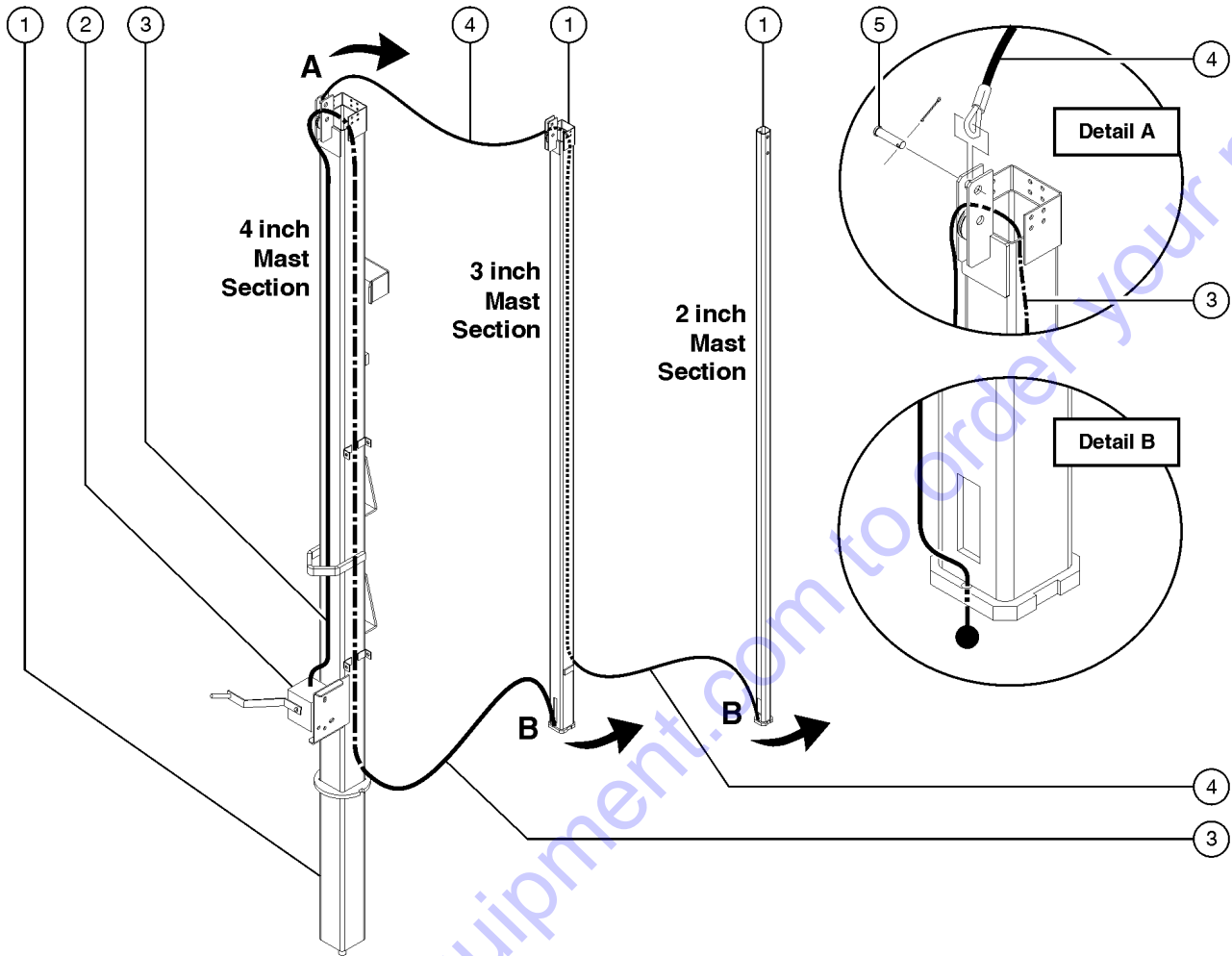


Go to Discount-Equipment.com to order your parts

405.1 Electrical Wiring and Power Cables

Item	Part No.	Description	Qty.	Item	Part No.	Description	Qty.
1		Ref., LAMP PIGTAIL <i>refer to 504.1 or 505.1</i>		6	237658GT	CABLE, POWER, 10/4 48".....	1
2A	822807GT	COIL CORD 8PIN DEUTSCH <i>(from SN RL413-6097)</i>		6	709133GT	TERM RING,#10 NYL INS 12/10	
2A	823502GT	ASM CCORD JBOX <i>(from SN RL413-6097)</i>		7	160276GT	CABLE SET,BATTERY,24" RED&BLK.....	1
2B	826916GT	KIT COIL CORD WO/ JUNCTION BOX <i>(to SN RL413-6096)</i>					
--	660287GT	CORD,RETRACT,66COIL,14/7 SOWA <i>(to SN RL413-6096)</i>					
--	822809GT	KIT, COIL CORD HW <i>(to SN RL413-6096)</i>					
2C	826917GT	KIT COIL CORD W JUNCTION BOX <i>(to SN RL413-6096)</i>					
--	822809GT	KIT, COIL CORD HW <i>(to SN RL413-6096)</i>					
--	T109014GT	JUNC.BOX,4MH/HPS <i>(to SN RL413-6096)(includes strain relief and connectors)</i>					
2D	C48300108GT	BOX,JUNC,LIGHT TWR,4 CONN <i>(Box only)</i>					
--	663870GT	CONNECTOR 3P FEMALE RECEPTACLE.....4 <i>for C48300108GT</i>	4				
--	680080GT	GRIP,HUBBLE 07401010 <i>for C48300108GT</i>					
--	680190GT	COVER,JUNC BOX W/GSKT, 2 GANG <i>for C48300108GT</i>					
--	994380GT	SCREW,RH,6-32 X 5/8 <i>for 680190GT</i>					
3A	T109414GT	SVC KIT,TAILLIGHTS,RL4/TML					
3B	663400GT	CONNECTOR,7-POLE,TLITE,RND PIN <i>7-pole connector (round); 663405GT required, order separately</i>					
3B	663401GT	CONNECTOR,BLADE,POS,TAILT, 7P <i>7-pole connector (blade)</i>					
3B	663405GT	CABLE GUARD FOR 7P CONN(663400) <i>for 663400GT</i>					
3B	663420GT	CONNECTOR,TAIL LIGHT,6 POLE <i>6-pole connector</i>					
3B	663430GT	CONNECTOR,TAILLIGHT,4 PIN <i>4-pole connector</i>					
4	116815GT	WIRE HARN,DC,IN CTRL BOX,2006.....1 <i>engine</i>	1				
--	R660715GT	DIODE 6AMP-50 PIV 2-WIRE.....1	1				
5A	116820GT	WIRE HARN,ENG,KUBOTA,DC,2006.....1 <i>engine</i>	1				
5B	116822GT	EA-WIRE HARNESS,PERKINS,DC <i>engine</i>					
--	800004GT	PIGTAIL,FUEL SOLENOID,KUBOTA.....1 <i>engine</i>	1				

501.1 Mast Assembly and Winch Cable Routing (to SN RL413-6832)

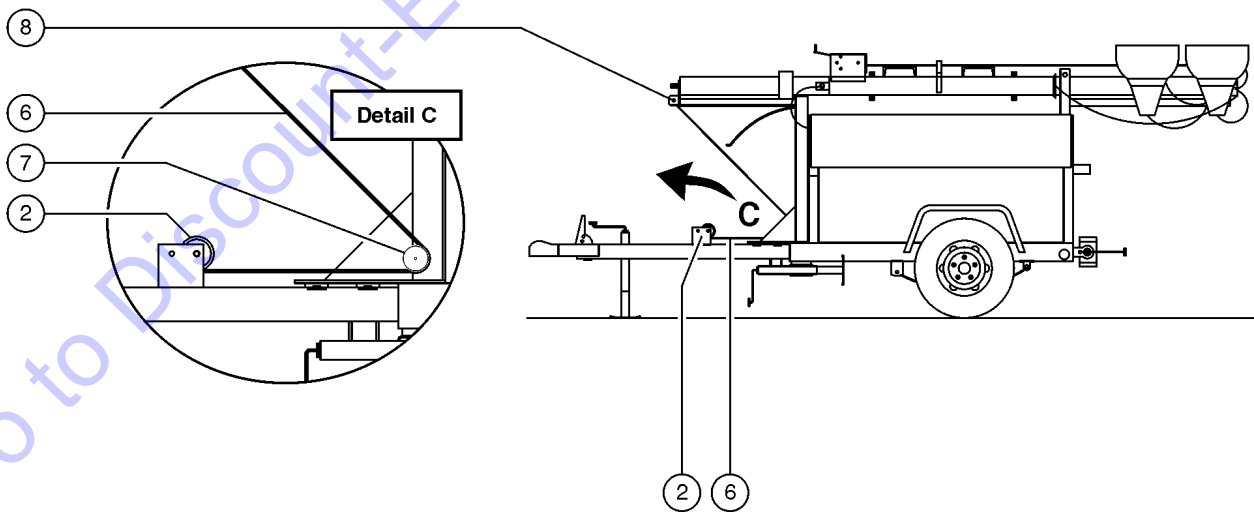
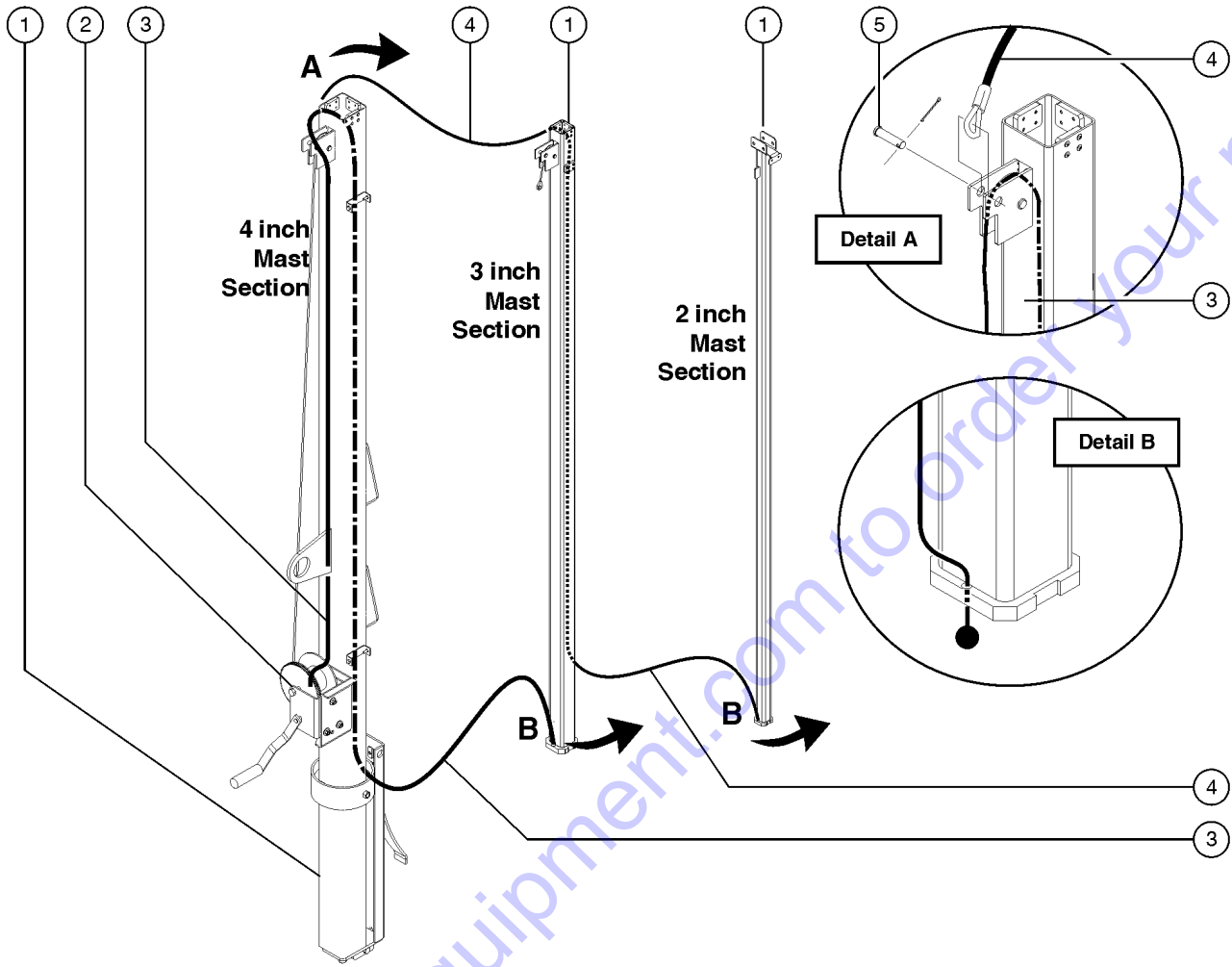


501.1 Mast Assembly and Winch Cable Routing (to SN RL413-6832)

Item	Part No.	Description	Qty.
1		MA-TOWER ASSY W/CABLES,RL4 (C116810).....1 <i>Mast Assembly, Complete (includes items 2-8) (assembly no longer available)</i>	
--		Ref., 2-INCH MAST SECTION <i>refer to 502.1</i>	
2		Ref., WINCH <i>refer to 207.1</i>	
3	CU61A025GT	CABLE,EXT,UPPER, 3/16 X 19'.....1 <i>lifts the 3-inch mast section</i>	
4	CU61A035GT	CABLE,EXT,LOWER, 3/16 X 11'.....1 <i>(also order one each 791910GT & T108880GT)</i>	
--	791910GT	SLEEVE,OVAL,3/16",ALUMINUM.....1 <i>(must be used when replacing part number CU61A035)</i>	
--	T108880GT	THIMBLE WIRE ROPE-3/16.....1 <i>(must be used when replacing part number CU61A035)</i>	
5	990650GT	COTTER PIN 1/8X1 SSBIN STOCK <i>for 992760GT</i>	
5	992760GT	CLEVIS PIN 1/2X1.5 SS	
6		Ref., MAST RAISE/LOWER CABLE <i>refer to 201.1</i>	
7		Ref., CABLE PULLEY <i>refer to 201.1</i>	
8		Ref., CABLE FASTENERS <i>refer to 502.1</i>	

Go to Discount-Equipment.com to order your parts

501.2 Mast Assembly and Winch Cable Routing (from SN RL413-6833)

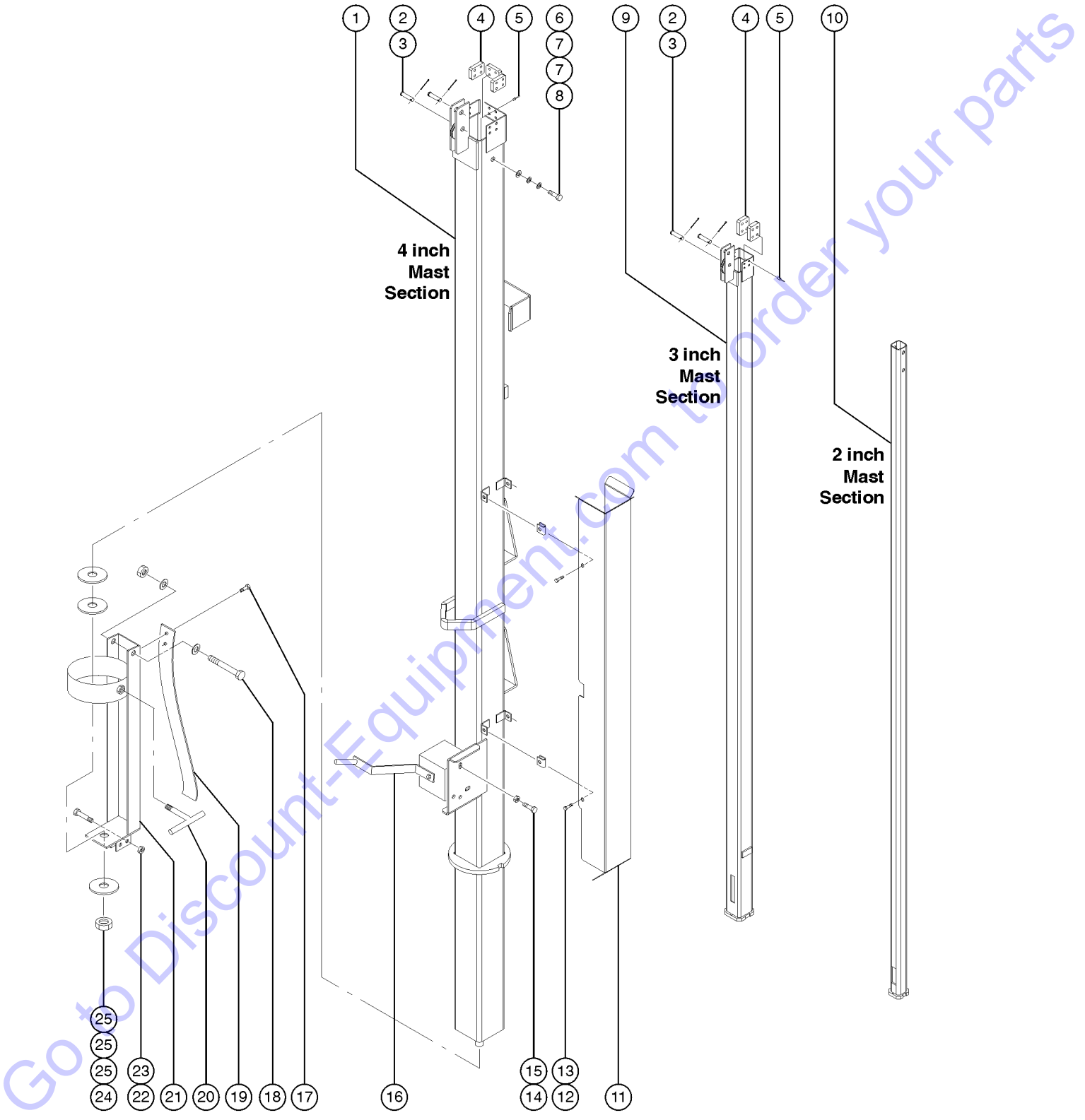


501.2 Mast Assembly and Winch Cable Routing (from SN RL413-6833)

Item	Part No.	Description	Qty.
1		MA-TOWER ASSY W/CABLES,RL4 (C116810).....1 <i>Mast Assembly, Complete (includes items 2-8) (assembly no longer available)</i>	
--		Ref., 2-INCH MAST SECTION <i>refer to 502.1</i>	
2		Ref., WINCH <i>refer to 207.1</i>	
3	CU61A025GT	CABLE,EXT,UPPER, 3/16 X 19'.....1 <i>lifts the 3-inch mast section</i>	
4	CU61A035GT	CABLE,EXT,LOWER, 3/16 X 11'.....1 <i>(also order one each 791910GT & T108880GT)</i>	
--	791910GT	SLEEVE,OVAL,3/16",ALUMINUM.....1 <i>(must be used when replacing part number CU61A035GT)</i>	
--	T108880GT	THIMBLE WIRE ROPE-3/16.....1 <i>(must be used when replacing part number CU61A035GT)</i>	
5	217423GT	PIN,CLEVIS,STL 1/2"DIAX2/0"LG,	
5	990650GT	COTTER PIN 1/8X1 SSBIN STOCK <i>for 992760GT</i>	
6		Ref., MAST RAISE/LOWER CABLE <i>refer to 201.1</i>	
7		Ref., CABLE PULLEY <i>refer to 201.1</i>	
8		Ref., CABLE FASTENERS <i>refer to 502.1</i>	

Go to Discount-Equipment.com to order your parts

502.1 Mast Components (to SN RL413-6832)

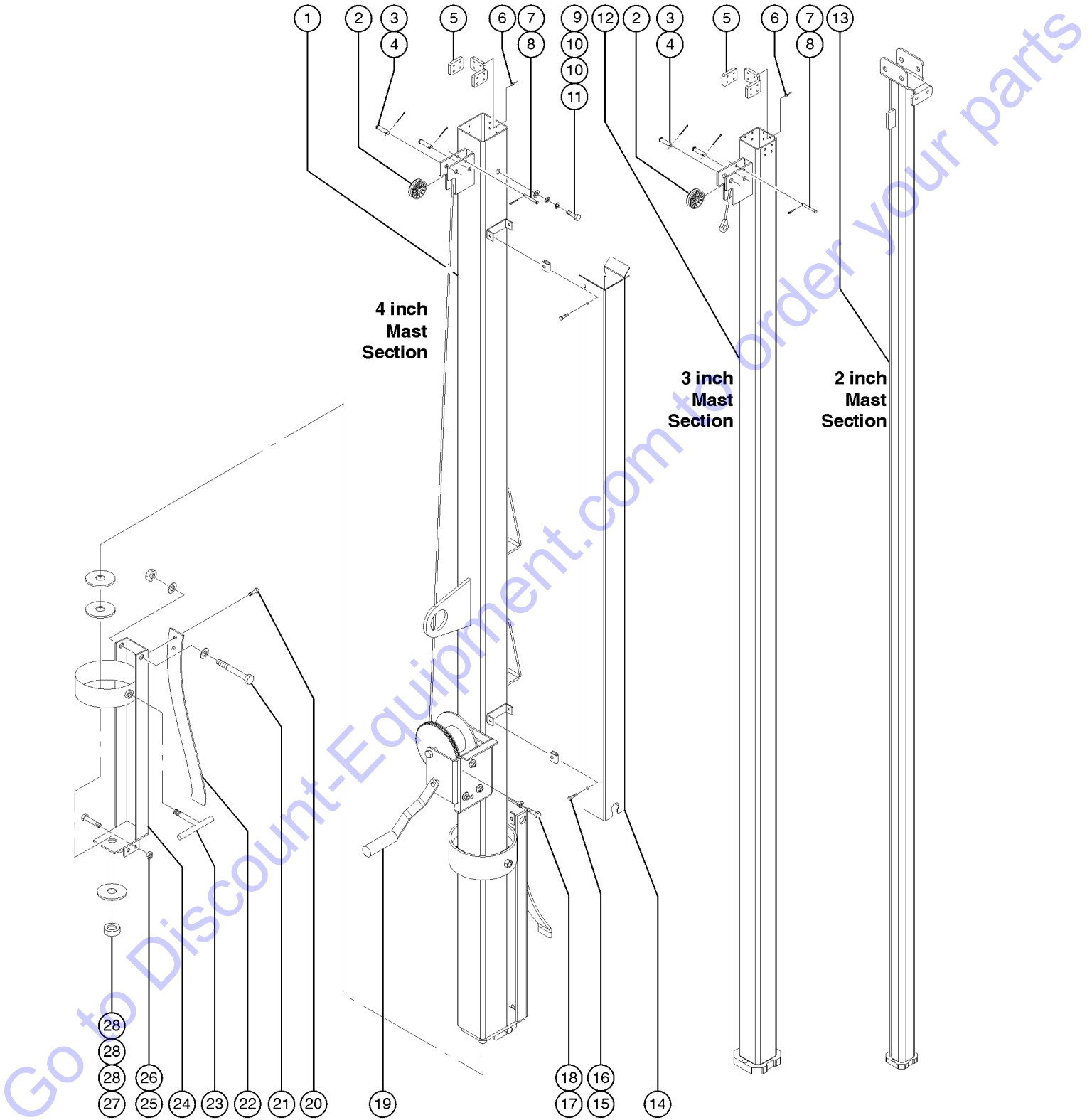


502.1 Mast Components (to SN RL413-6832)

Item	Part No.	Description	Qty.
1	CR61C010GT	BOOM,4" SECTION.....	1
2	992760GT	CLEVIS PIN 1/2X1.5 SS.....	4
3	990650GT	COTTER PIN 1/8X1 SSBIN STOCK.....	4
4	CS61A053GT	SLIDE BLOCK,TOWER GD 1147086..... 4-inch mast	3
4A	CS61A053GT	SLIDE BLOCK,TOWER GD 1147086..... 3-inch mast	2
5	C41135000GT	RIVET POP 1/4 X1/2..... 4-inch mast	12
5A	C41135000GT	RIVET POP 1/4 X1/2..... 3-inch mast	8
6	C54200700GT	SCREW 1/2-13X 1 Z G5.....	1
7	991650GT	WASHER LOCK 1/2ZP.....	2
8	990210GT	WASHER FLAT 1/2ZP.....	1
9	CR61C020GT	BOOM,3" SECTION.....	1
10	CR61C030GT	BOOM,2" SECTION.....	1
11	CR61C018GT	COVER,COIL CORD.....	1
12	C51601442GT	SCREW FLANGE 1/4 -20X.....	4
13	C51600800GT	NUT CLIP 1/4 -20X3/4.....	4
14	C51601570GT	SCREW FLANGE 3/8X 3/4.....	3
15	48425GT	NUT,FLG-LRG,3/8-16,YZ.....	3
16		Ref., WINCH refer to 207.1	
17	C51601570GT	SCREW FLANGE 3/8X 3/4.....	2
18		Ref., PIVOT FASTENERS refer to 201.1	
19	CU61A090GT	SPRING,KICKOUT,BOOM/TOWER RL...1	1
20	990610GT	BOLT,TEE 1/2-20 X 4.5.....	1
21	CS61C060GT	SWIVEL,BOOM RL4.....	1
22	6198GT	NUT,NYLOCK,1/2-13.....	1
23	C54200200GT	SCREW 1/2 -13 X 2.....	1
24	87722GT	NUT,NYLOCK,7/8-9.....	1
25	69819GT	WASHER,FLAT,USS,7/8",Y.....	3

Go to DiscountEquipment.com to order your parts

502.2 Mast Components (from SN RL413-6833)

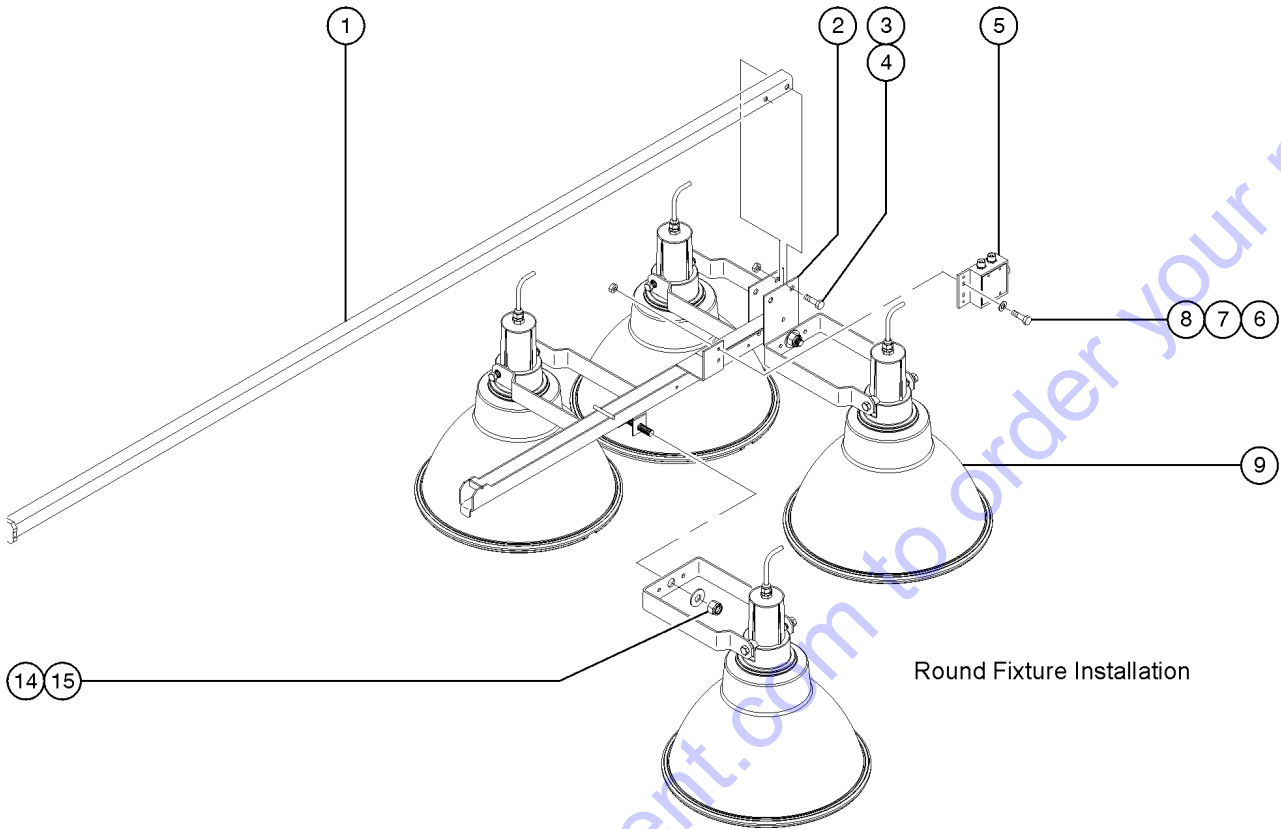


502.2 Mast Components (from SN RL413-6833)

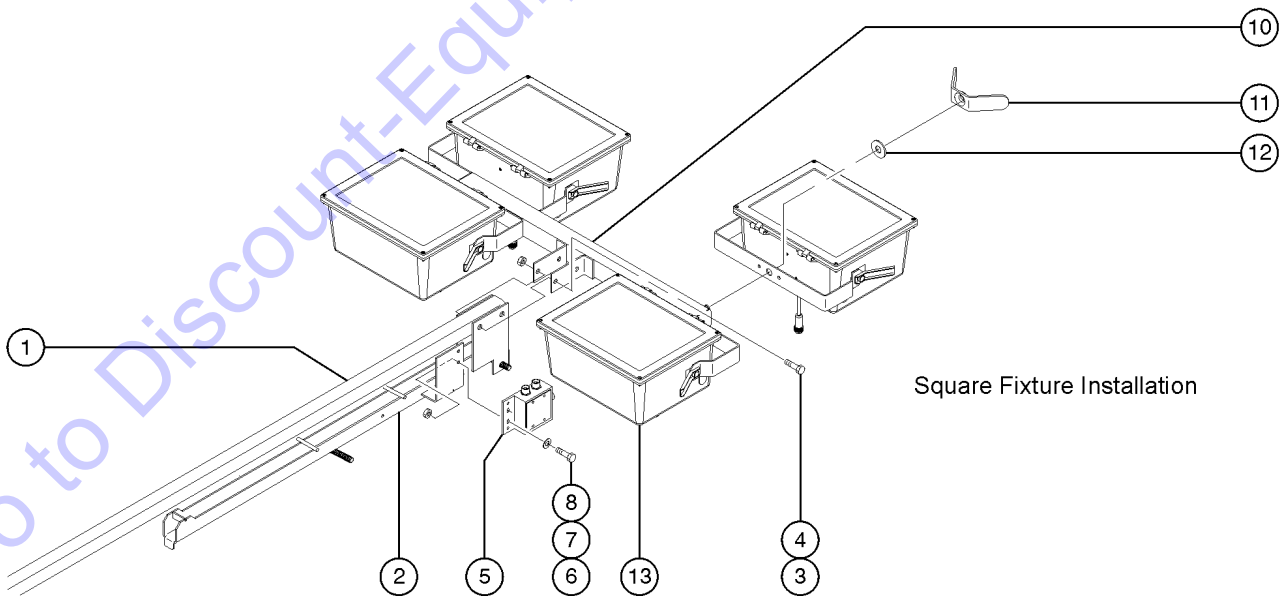
Item	Part No.	Description	Qty.
1	217380GT	WELDMENT,MAST,4" SECTION,RL4.....1	1
2	188770GT	SHEAVE 2-13/16 X11/4,PLASTIC.....2	2
3	217423GT	PIN,CLEVIS,STL 1/2"DIA X2/0"LG,.....4	4
4	990650GT	COTTER PIN 1/8X1 SSBIN STOCK.....4	4
5	217073GT	WEAR PAD, TOWER, RL4.....3	3
6	217425GT	RIVET,POP,3/16 DIA X .45,AL.....12	12
7	995790GT	CLEVIS PIN STAINLESSS.....2	2
8	994920GT	COTTER PIN 3/32X3/4 S.....2	2
9	C54200700GT	SCREW 1/2-13X 1 Z G5.....1	1
10	991650GT	WASHER LOCK 1/2ZP.....2	2
11	6095GT	WASHER,FLAT,USS,1/2",Y.....1	1
12	217381GT	WELDMENT,MAST,3" SECTION,RL4.....1	1
13	217382GT	WELDMENT,MAST,2" SECTION,RL4.....1	1
14	113080GT	SLEEVE,COIL CORD,AL4,AL5.....1	1
15	6090GT	SCREW,HHC,1/4-20 X .75.....4	4
16	C51600800GT	NUT CLIP 1/4 -20X3/4.....4	4
17	C51601570GT	SCREW FLANGE 3/8X 3/4.....3	3
18	48425GT	NUT,FLG-LRG,3/8-16,YZ.....3	3
19		Ref., WINCH <i>refer to 207.1</i>	
20	C51601570GT	SCREW FLANGE 3/8X 3/4.....2	2
21		Ref., PIVOT FASTENERS <i>refer to 201.1</i>	
22	CU61A090GT	SPRING,KICKOUT,BOOM/TOWER RL...1	1
23	990610GT	BOLT,TEE 1/2-20 X 4.5.....1	1
24	CS61C060GT	SWIVEL,BOOM RL4.....1	1
25	6198GT	NUT,NYLOCK,1/2-13.....1	1
26	6096GT	SCREW,HHC,1/2-13 X 2 GR5.....1	1
27	87722GT	NUT,NYLOCK,7/8-9.....1	1
28	69819GT	WASHER,FLAT,USS,7/8",Y.....3	3

Go to DiscountEquipment.com to order your parts

503.1 Upper Mast Components (to SN RL413-6832)



Round Fixture Installation



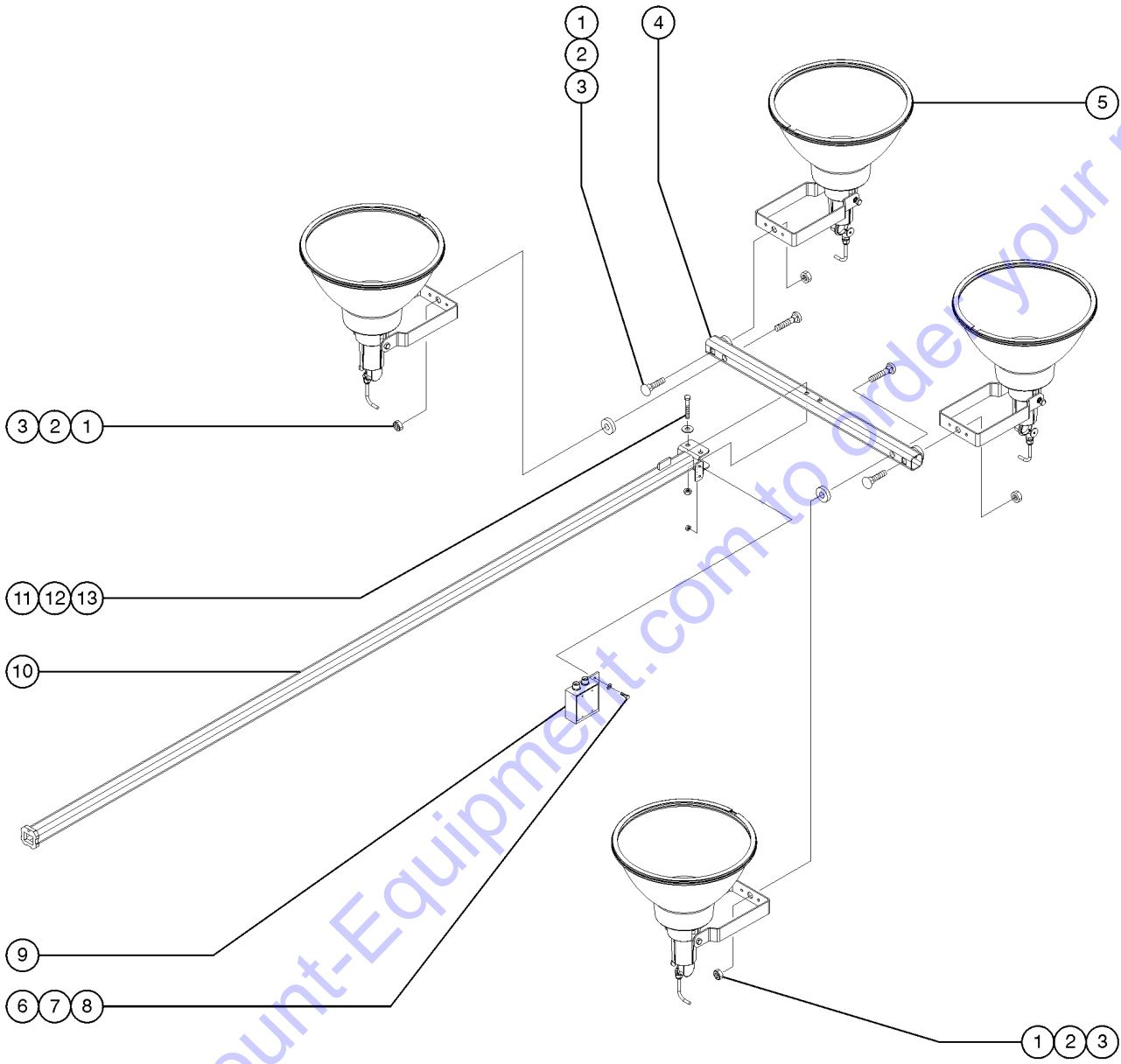
Square Fixture Installation

503.1 Upper Mast Components (to SN RL413-6832)

Item	Part No.	Description	Qty.
1		Ref., 2" BOOM SECTION <i>refer to 502.1</i>	
2	CR64C010GT	CROSSHEAD,RL4.....	1
3	990270GT	SCREW,HHC,1/2-13 X 3.5 GR8.....	2
4	990200GT	NUT,NYLOCK,1/2-13 GR2.....	2
5		Ref., JUNCTION BOX <i>refer to 405.1</i>	
6	6888GT	SCREW,HHC,1/4-20 X 1.....	2
7	6638GT	WASHER,FLAT,USS,1/4"Y.....	2
8	6091GT	NUT,NYLOCK,1/4-20.....	2
9		Ref., ROUND LIGHT FIXTURE <i>refer to 504.1</i>	
10	116073GT	CROSSARM, RECT FIXTURE TOWER.....	1
11	22123080GT	WING NUT, FIXTURE,RL4,AL4,AL5.....	4
12	990880GT	WASHER,LOCK,STAR 3/4 E.....	4
13		Ref., SQUARE LIGHT FIXTURE <i>refer to 505.1</i>	
14	993180GT	NUT,NYLOCK,3/4-10 ZP.....	4
15	990230GT	WASHER,FLAT,3/4 ZP.....	4

Go to Discount-Equipment.com to order your parts

503.2 Upper Mast Components (from SN RL413-6833)



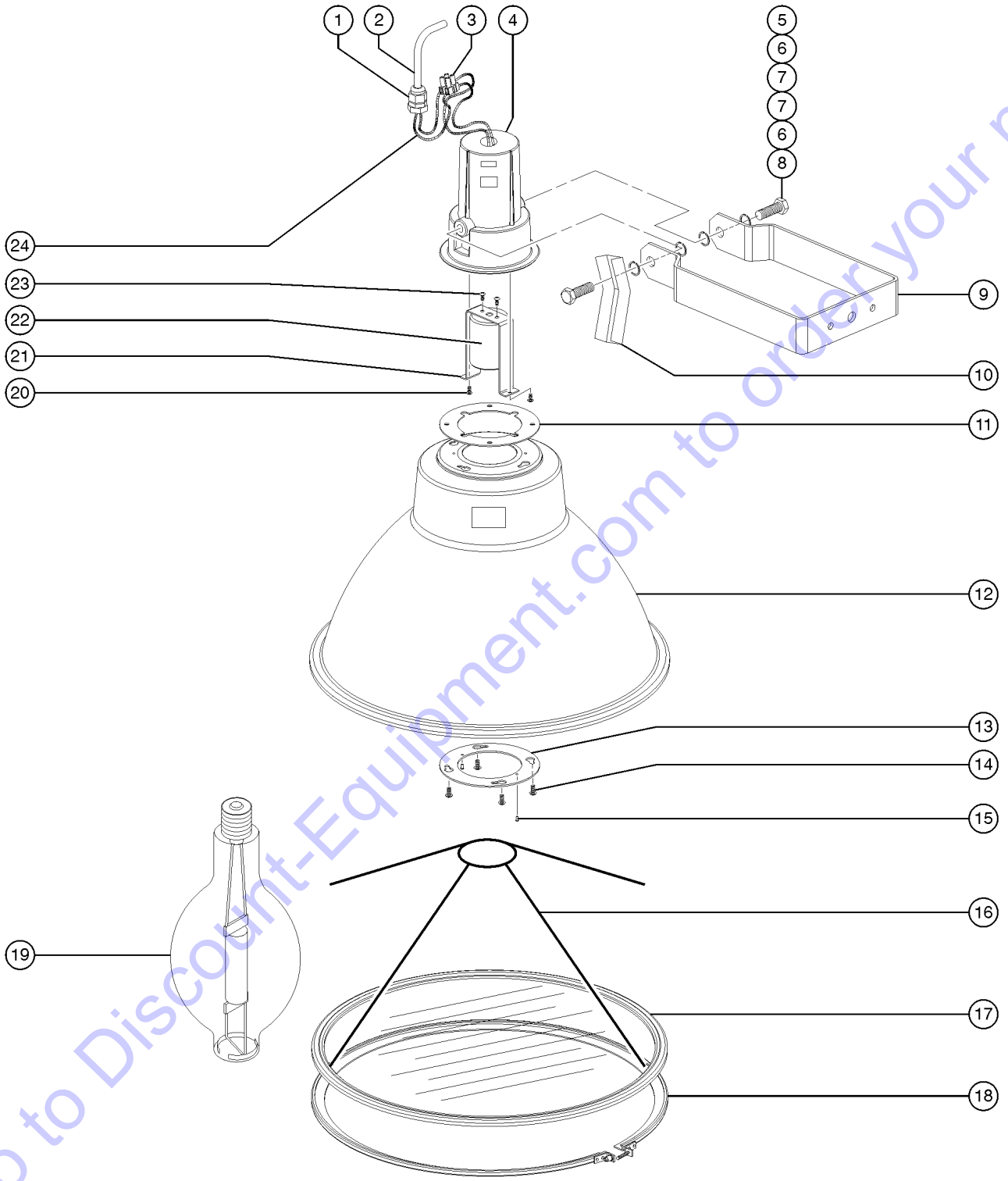
Go to Discount-Equipment.com to order your parts

503.2 Upper Mast Components (from SN RL413-6833)

Item	Part No.	Description	Qty.
1	217438GT	CB,3/4"-10X4",Z.....	4
2	217072GT	STANDOFF, LIGHT.....	4
3	993180GT	NUT,NYLOCK,3/4-10 ZP.....	4
4	217435GT	WELDMENT,LIGHT BAR.....	1
5		Ref. LIGHT ASSEMBLY (refer to 504.1)	
6	6888GT	SCREW,HHC,1/4-20 X 1.....	2
7	6638GT	WASHER,FLAT,USS,1/4"Y.....	2
8	6091GT	NUT,NYLOCK,1/4-20.....	2
9		Ref. JUNCTION BOX (refer to 405.1)	
10		Ref. 2 INCH MAST ASSY (refer to 502.2)	
11	8357GT	SCREW,HHC,1/2-13 X 3.5.....	2
12	6-6212-08GT	WASHER,FLAT,USS,1/2",Y.....	2
13	990390GT	NUT,NYLOCK,1/2-13.....	2

Go to Discount-Equipment.com to order your parts

504.1 Light Assembly, 19" Round

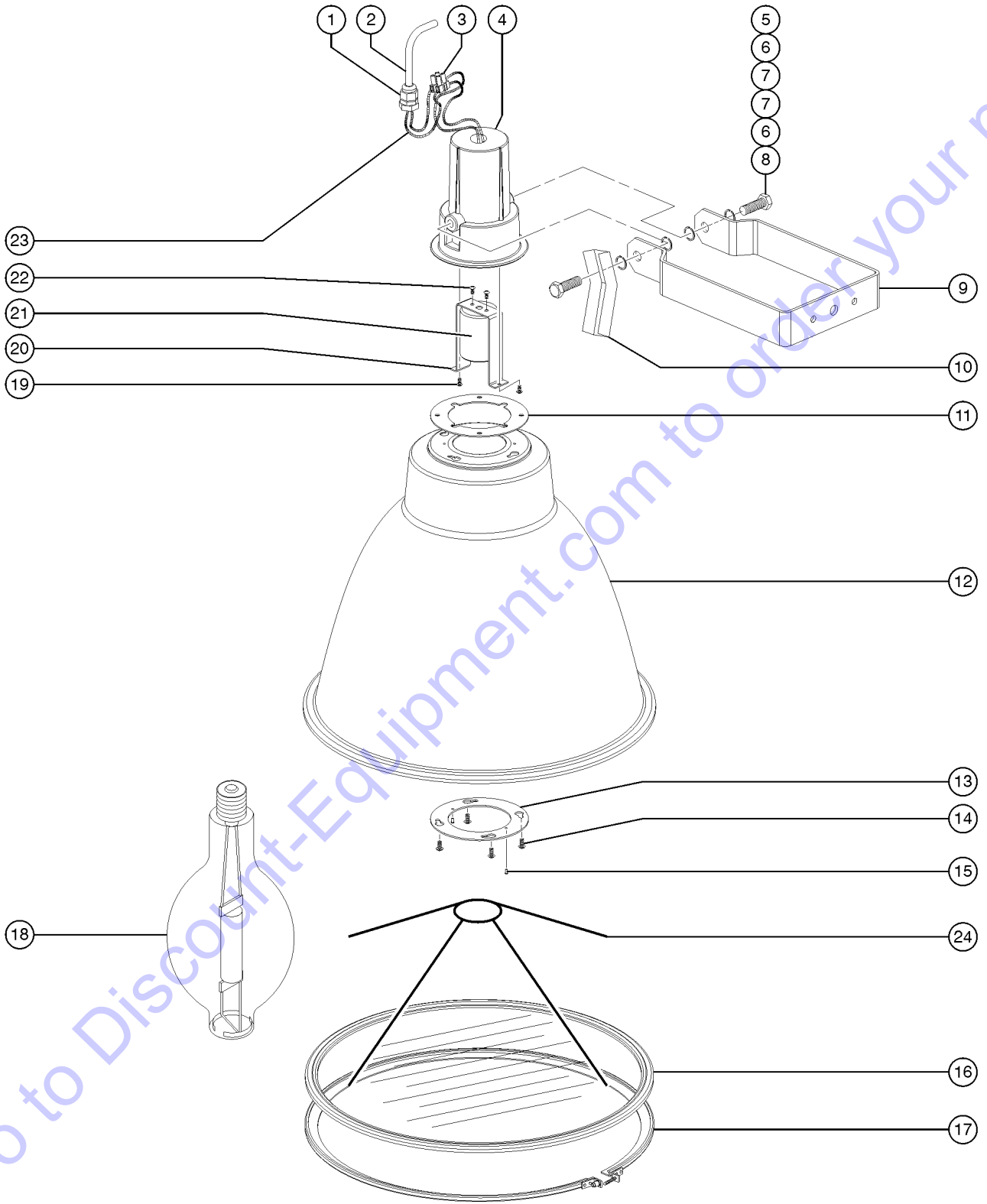


Go to Discount-Equipment.com to order your parts

504.1 Light Assembly, 19" Round

Item	Part No.	Description	Qty.
--	C41100720GT	LIGHT FIXTURE,MH,AL4,RL4,AL5 <i>Light Fixture, Complete (silver)</i>	
--	161281GT	FIXTURE LIGHT MH BLACK COATED <i>Light Fixture, Complete (black)</i>	
1	680020GT	LOCKNUT,CONDUIT,1/2 CSA APPVD....1	
1	682470GT	CONN,STRAIN RELIEF,1/2 NPT.....1	
1	683950GT	GASKET,STRAIN RELIEF,1/2.....1	
2	663850GT	CORD SET MALE 5FT. 3P.....1	
3	709034GT	TERMINAL STRIP,CE.....1	
4	833567GT	CASTING,FIXTURE QUICK CONNECT.....1 <i>silver</i>	
5	990810GT	SCREW,HHC,1/2-13 X 1.5.....1	
6	991650GT	WASHER LOCK 1/2ZP.....2	
7	995970GT	WASHER LOCK STAR 1/2E.....2	
8	981640GT	SCREW,HHC,1/2-13 X 1.25.....1	
9	833566GT	BRKT,TRUNION.....1 <i>silver</i>	
10	833573GT	T-HANDLE.....1 <i>silver</i>	
11	833569GT	GASKET, HOUSING REFLECTOR BASE.....1	
12	833547GT	REFLECTOR & LENS ASSY STD FIX....1 <i>silver; includes items 17-18</i>	
--	833568GT	REFLECTOR (C41100720)	
13	833570GT	RING,REINFORCING (C41100720)	
14	833571GT	SCREW,PHM,10-24 X 5/8	
15	990675GT	RIVET POP 1/8X.390 GR	
16	22120102GT	SPIDER, MH/HPS	
17	833524GT	LENS W/GASKET (C41100720)	
--	C2450108GT	LENS GASKET FOR LIGHT FIXTURE	
18	833543GT	CLAMP,LENS (C41100720) <i>includes fasteners</i>	
--	833574GT	SCREW,HH SLOT,8-32X1	
--	833578GT	NUTSERT,8-32 (833543)	
--	833581GT	WASHER,CLAMP,RUBBER(833543)	
19	160071GT	LAMP MH 1000W M1000/U SYL.....1	
20	833565GT	SCREW,PHM,8-32X3/8.....2	
21	833563GT	BRKT,SOCKET MOGUL FO.....1	
22	833564GT	SOCKET BASE-MOGUL.....1	
23	833577GT	SCREW,RHM,6-32X5/8.....2	
24	833582GT	SLEEVE,WIRE,FIBERGLASS.....1	

504.2 Light Assembly, 16" Round

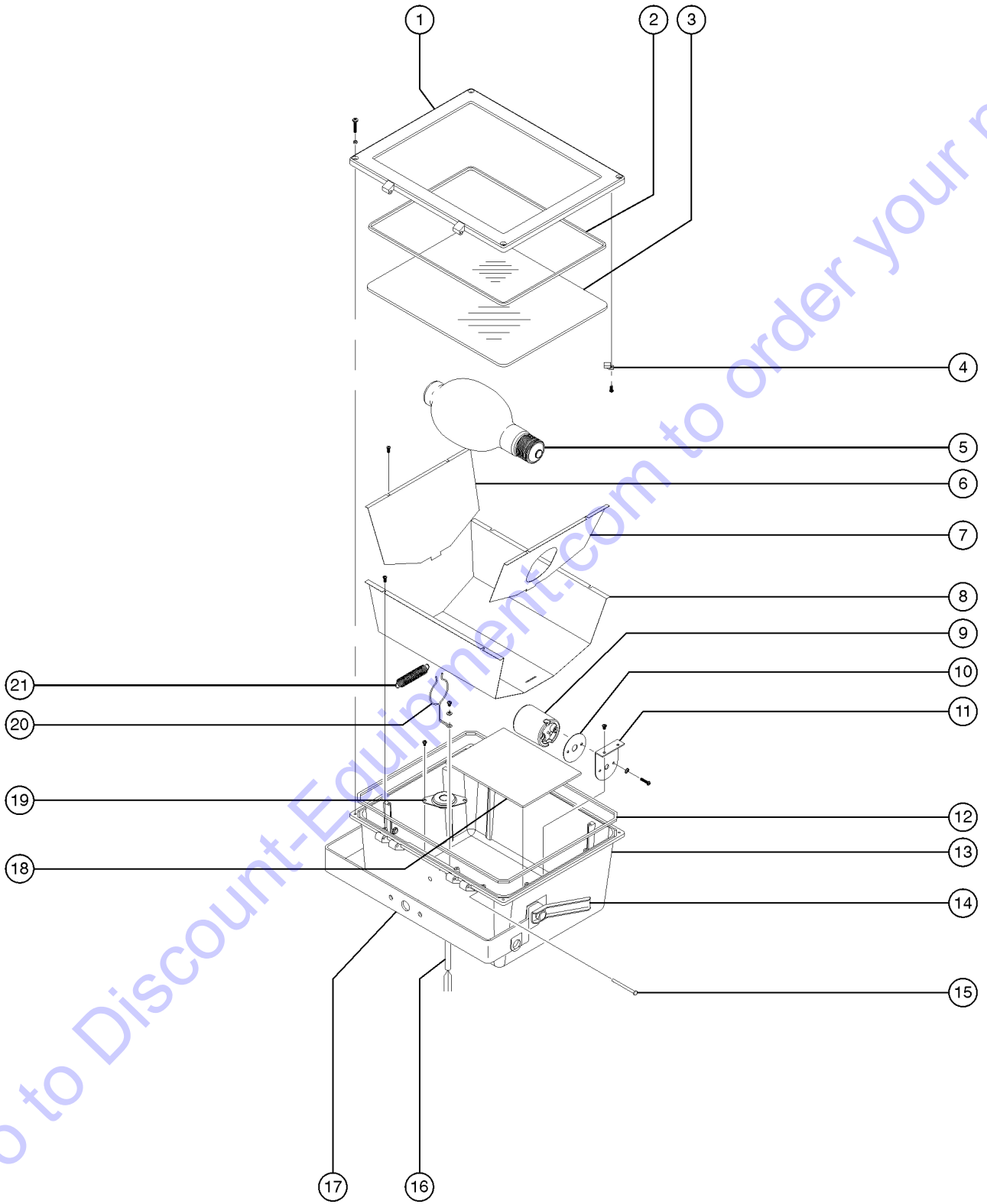


Go to Discount-Equipment.com to order your parts

504.2 Light Assembly, 16" Round

Item	Part No.	Description	Qty.
--	233777GT	LIGHT FIXTURE, MH, ROUND, 16" <i>Light Fixture, Complete (silver)</i>	
1	680020GT	LOCKNUT,CONDUIT,1/2 CSA APPVD....1	
1	682470GT	CONN,STRAIN RELIEF,1/2 NPT.....1	
1	683950GT	GASKET,STRAIN RELIEF,1/2.....1	
2	663850GT	CORD SET MALE 5FT. 3P.....1	
3	57440GT	CONNECTOR, WIRE NUT.....2	
4	833567GT	CASTING,FIXTURE QUICK CONNECT.....1 <i>silver</i>	
5	981640GT	SCREW,HHC,1/2-13 X 1.25.....1	
6	991650GT	WASHER LOCK 1/2ZP.....2	
7	995970GT	WASHER LOCK STAR 1/2E.....2	
8	981640GT	SCREW,HHC,1/2-13 X 1.25.....1	
9	833566GT	BRKT,TRUNION.....1 <i>silver</i>	
10	833573GT	T-HANDLE.....1 <i>silver</i>	
11	833569GT	GASKET, HOUSING REFLECTOR BASE.....1	
12	236839GT	REFLECTOR & LENS ASSY 16 INCH FIX.....1 <i>silver; includes items 16-17</i>	
13	833570GT	RING,REINFORCING (C41100720)	
14	833571GT	SCREW,PHM,10-24 X 5/8	
15	990675GT	RIVET POP 1/8X.390 GR	
16	236841GT	LENS W/GASKET (233777)	
--	236840GT	LENS GASKET FOR LIGHT FIXTURE	
17	236842GT	CLAMP,LENS (233777GT) <i>includes fasteners</i>	
--	833574GT	SCREW,HH SLOT,8-32X1	
--	833578GT	NUTSERT,8-32 (833543)	
--	833581GT	WASHER,CLAMP,RUBBER(833543)	
18	160077GT	LAMP MH 1000W BT37HOR.....1	
19	833565GT	SCREW,PHM,8-32X3/8.....2	
20	833563GT	BRKT,SOCKET MOGUL FO.....1	
21	833564GT	SOCKET BASE-MOGUL.....1	
22	833577GT	SCREW,RHM,6-32X5/8.....2	
23	833582GT	SLEEVE,WIRE,FIBERGLASS.....1	
24	1262295GT	SPIDER, MH/HPS.....1	

505.1 Light Assembly, Square

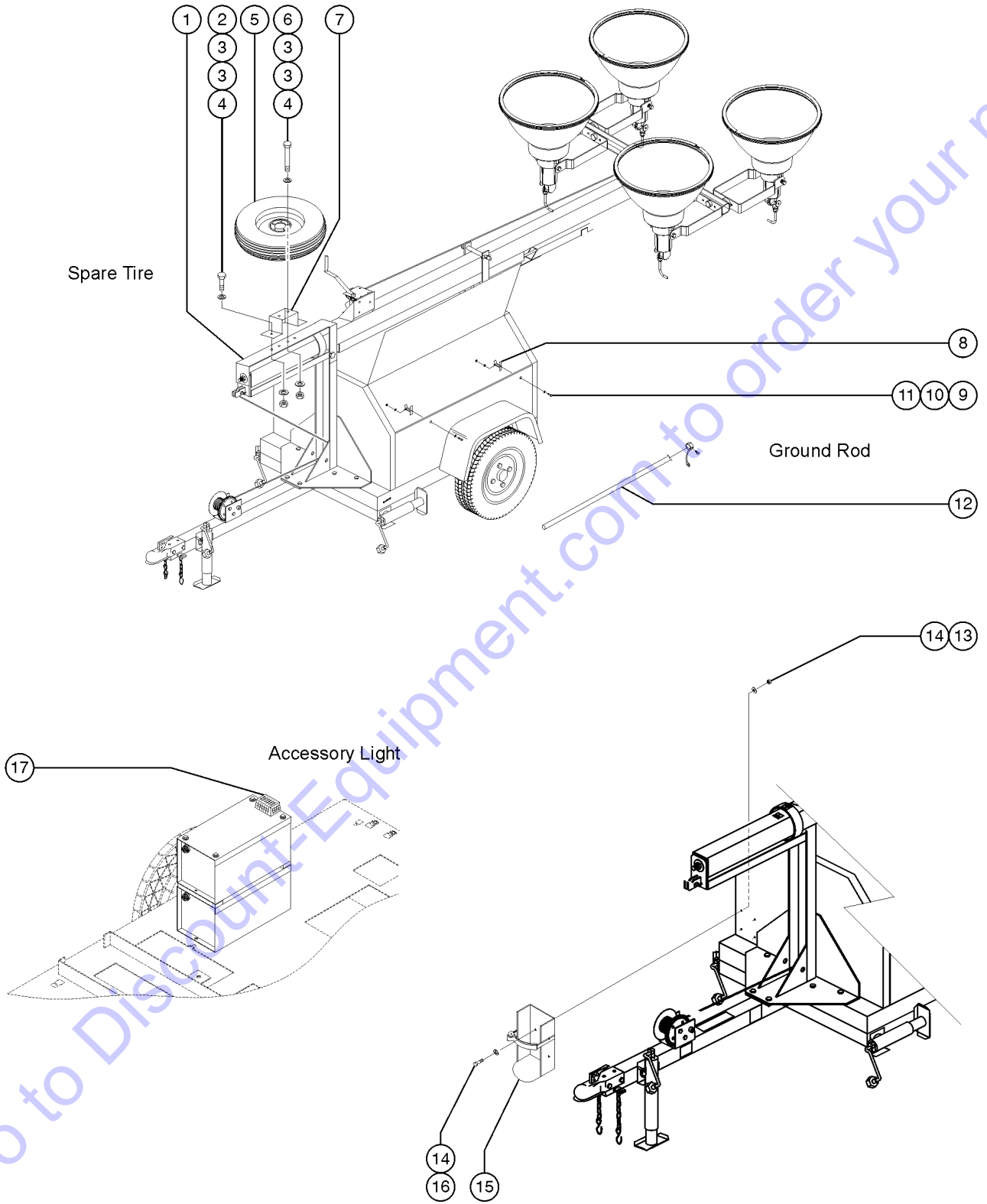


Go to Discount-Equipment.com to order your parts

505.1 Light Assembly, Square

Item	Part No.	Description	Qty.	Item	Part No.	Description	Qty.
--	161090GT	FIXTURE ASSEMBLY 1000W RECT <i>TML models with hard-wired pigtail (does not include items 14 and 17)</i>		21	116061GT	SPRING, LAMP RETAINER.....	1
--	161095GT	FIXTURE ASSEMBLY 1000W RECT <i>RL models (includes items 14 and 17)</i>					
--	232508GT	FIXTURE RECT TML 1000W <i>TML models with plug-in pigtail connector (does not include items 14 and 17)</i>					
1	116054GT	TOP FRAME,HOUSING BASE.....	1				
1B	71979GT	SCREW,INDENTED HEX,10-24 X .75 <i>for 116054</i>					
2	116049GT	GASKET,RECTANGULAR GLASS/LENS.....	1				
3	116048GT	GLASS/LENS,RECTANGULAR PSI..... <i>(14.14 x 10.83 inches)</i>	1				
3A	80103GT	LENS,LIGHT (57449) <i>(15.38 x 12.13 inches)</i>					
3B	116010GT	GLASS LENS <i>(17.5 x 9.75 inches)</i>					
4	116051GT	RETAINER CLIP,GLASS/LENS.....	4				
4	116052GT	COVER,GLASS/LENS RETAINER CLIP.....	4				
5	160077GT	LAMP MH 1000W BT37HOR.....	1				
6	116046GT	REFLECTOR SIDE.....	1				
7	116047GT	REFLECTOR LAMP SIDE.....	1				
8	116045GT	REFLECTOR BASE.....	1				
9	116057GT	LIGHT SOCKET,PSI RECT 5 KV..... <i>includes pigtail</i>	1				
10	116056GT	GASKET,LIGHT SOCKET.....	1				
11	116044GT	BRACKET, SOCKET MOUNT.....	1				
12	116053GT	GASKET,HOUSING BASE, TOPFRAME.....	1				
13	116042GT	FIXTURE HOUSING BASE,1KW RECT..... <i>(replaced 116108GT)</i>	1				
14	116064GT	HANDLE, ADJUSTMENT..... <i>RL models</i>	2				
14	823380GT	BOLT, HANDLE.....	2				
14	991650GT	WASHER LOCK 1/2ZP..... <i>RL models</i>	2				
14	995970GT	WASHER LOCK STAR 1/2E..... <i>RL models</i>	2				
15	116043GT	CLEVIS PIN,4.6X60MM.....	2				
16	663850GT	CORD SET MALE 5FT. 3P.....	1				
17	116055GT	YOKE,PSI RECT.LIGHT FIXTURE..... <i>RL models</i>	1				
18	116059GT	FIBERGLASS PAD,RECT LAMP FIXT....	1				
19	116109GT	GROMMET ASSEMBLY.....	1				
20	116058GT	LAMP BRACE, RECT HOUSING.....	1				

601.1 Safety and Convenience



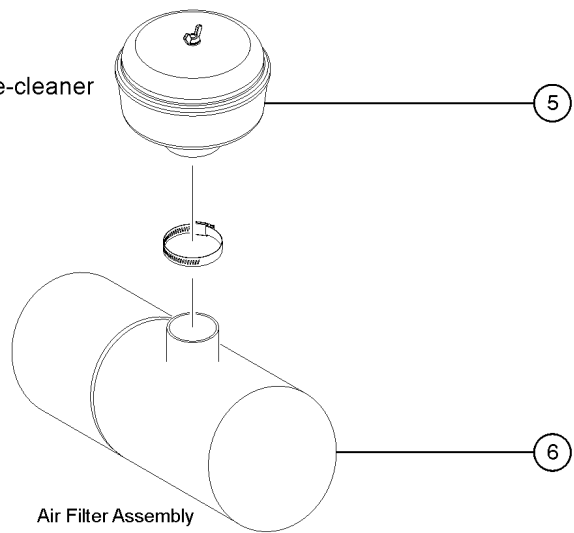
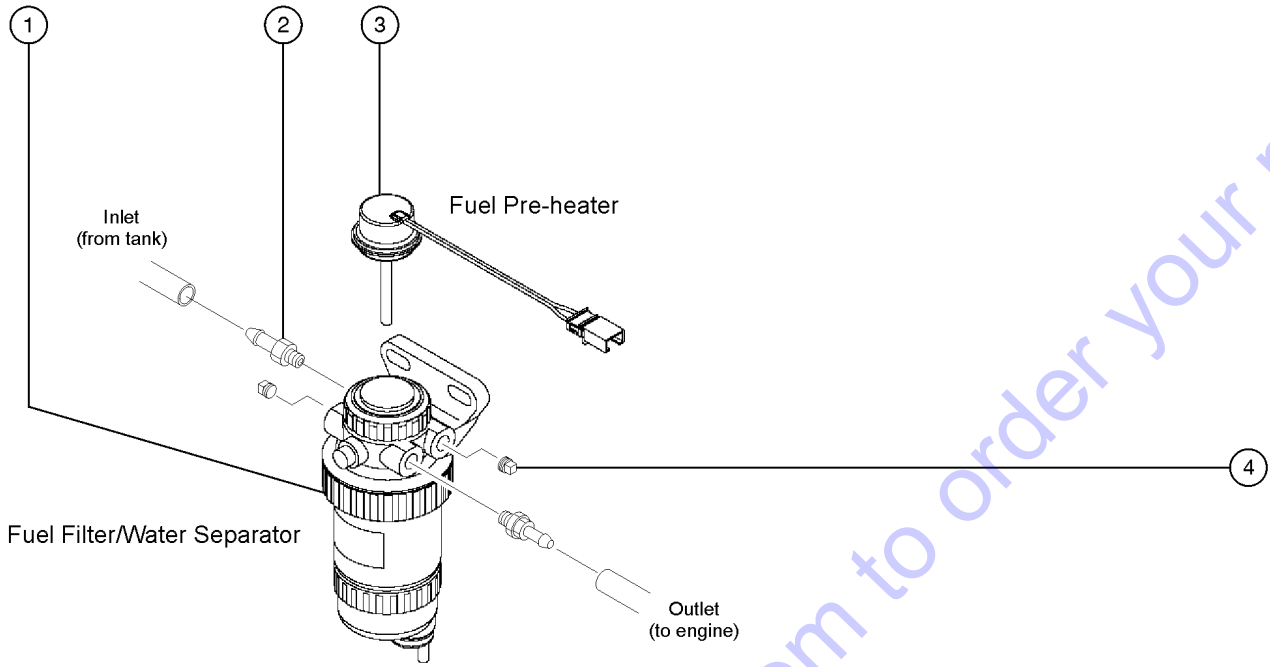
Go to DiscountEquipment.com to order your parts

601.1 Safety and Convenience

Item	Part No.	Description	Qty.
1	CR82A150GT	BRACKET TIRE MOUNT SPARE.....	1
2	54177GT	SCREW,HHC,1/2-13 X 1.5 GRD 8.....	2
3	6095GT	WASHER,FLAT,USS,1/2",Y.....	8
4	6198GT	NUT,NYLOCK,1/2-13.....	4
5	116021GT	WHEEL/TIRE ASSY,13",175/80 LRB.....	1
6	994200GT	SCREW 1/2-13NCX5-1/2H.....	2
7	CR82A160GT	MOUNT FRONT TIRE-SPAR.....	1
8	682311GT	HOLDER SPRING ACTION5.....	2
9	994330GT	S/S BDSLMS 6-32X1/2.....	4
10	R980300GT	WASHER FLAT #10 STAINLESS.....	4
11	993120GT	NUT HEX 6-32NCGRADE 2ZP.....	4
12	113392GT	MA-GROUND ROD LT.TWR.....	1
--	682660GT	GROUND CLAMP 3/4 MW 2	
--	684310GT	WIRE 8 AWM-MTW GREEN	
--	709146GT	TERMINAL RING NYL INS	
13	991940GT	NUT,NYLOCK,5/16-18.....	4
14	981065GT	WASHER FLAT 5/16ZP SAE/BIN.....	8
15	217718GT	BRACKET FIRE EXT 20LB RL4.....	1
16	123840GT	SCREW,HHC,5/16-18X.75,GR8,Y.....	4
17	C41101100GT	LIGHT DOME 12V W/SWITCRL4.....	1

Go to Discount-Equipment.com to order your parts

602.1 Engine Options



Go to Discount-Equipment.com to order your parts

602.1 Engine Options

Item	Part No.	Description	Qty.
1	116154GT	AY,DSL FUEL/WATER SEPARATOR.....1	
--	116148GT	GASKET,FUEL FILTER <i>for 116151GT</i>	
--	116151GT	FILTER,30 MICRON FUEL-WATER	
--	116152GT	GASKET,WATER COLLECTOR <i>for 116153GT</i>	
--	116153GT	WATER COLLECTOR AY	
--	116211GT	WASHER,RUBBER SEAL <i>for 116212GT</i>	
--	116212GT	VALVE,PLASTIC DRAIN	
1A	981120GT	WASHER FLAT 3/8 ZP SAE BIN.....4	
1A	990170GT	NUT LOCK NYLON INSERT 3/8.....2	
1A	990470GT	WASHER LOCK 3/8ZP.....2	
1A	991761GT	SCREW,HHC,3/8-16 X 1.25.....2	
2	898590GT	HOSE FITTING PIPE/BAR.....2	
3	116144GT	HEATER, TOPLOAD FUEL, 100W/12V...1	
3	116145GT	GASKET, FUEL HEATER	
3	116587GT	FUSE,ATC BLADE,10A	
3	116588GT	FUSE HOLDER,ATC BLADE,#16	
4	894230GT	PIPE PLUG 1/4 GALV.....2	
5	740455GT	AIR BREATHER PRE-CLEA	
6		Ref., ENGINE AIR CLEANER <i>refer to 304.1 or 306.1</i>	

Go to Discount-Equipment.com to order your parts

Part Number Index

The Part Number Index is a numeric index of all part numbers included in this manual. The index shows what page(s) the part is used on.

Part Number	Page	Part Number	Page	Part Number	Page	Part Number	Page
101201GT	45	116801GT	65	147122GT	29	236046GT	51
101208GT	45	116803GT	65	147123GT	29	236839GT	89
101209GT	45	116815GT	73	160030GT	33	236840GT	89
101319GT	51	116820GT	73	160032GT	33, 63, 71	236841GT	89
101320GT	51	116822GT	73	160033GT	33	236842GT	89
101322GT	51	116833GT	45	160071GT	87	236977GT	23
101326GT	53	116874GT	65	160077GT	89, 91	236978GT	29
101327GT	53	116893GT	17	160276GT	73	237658GT	73
101341GT	51	116894GT	17, 19	160421GT	39	237707GT	51
106663GT	51	116895GT	17	160490GT	33	237708GT	53
110523GT	43	116896GT	17	161085GT	23	237774GT	51
112300GT	23	116901GT	17	161090GT	91	237775GT	53
113080GT	81	116902GT	17	161095GT	91	237776GT	51
113392GT	93	116908GT	35, 37, 39	161109GT	43	237832GT	39
114251GT	17, 19	116909GT	35	161151GT	55	28159GT	11, 13, 17, 19
114258GT	11, 13	116910GT	35, 37	161180GT	33	28161GT	11, 13
114355GT	33	116911GT	35, 37, 39	161181GT	33	28162GT	11, 13
114391GT	17, 19	116912GT	35, 37, 39	161184GT	33	30348GT	53
114431GT	11, 13	116918GT	35, 37, 39	161185GT	33	30973GT	45
114464GT	13	116919GT	65	161281GT	87	31788GT	13
115366GT	33	116921GT	65	162160GT	23	32069GT	45
116010GT	91	116923GT	35, 37, 39	16342GT	41	32103GT	47
116021GT	23, 93	116927GT	35, 37, 39	174170GT	23	32185GT	43, 45
116042GT	91	116936GT	31	176335GT	31	32191GT	45
116043GT	91	116937GT	31	182330GT	23	32199GT	45
116044GT	91	116949GT	29	182331GT	23	32645GT	23
116045GT	91	12012GT	41	183731GT	31	33265GT	31
116046GT	91	122079GT	31	184315GT	43, 55	40766GT	61
116047GT	91	123461GT	31	184325GT	43	44191GT	45
116048GT	91	123680GT	39	186540GT	57	44196GT	47
116049GT	91	123840GT	55, 93	186543GT	57, 65	44197GT	47
116051GT	91	125395GT	45	186544GT	57	44198GT	47
116052GT	91	1254929GT	59, 67	188770GT	23, 81	4828GT	23
116053GT	91	1254936GT	67	189346GT	33	48425GT	79, 81
116054GT	91	1255539GT	63, 71	189347GT	55	52475GT	11, 13, 17, 19
116055GT	91	1256081GT	41	189796GT	35, 37, 39	52531GT	45
116056GT	91	1256082GT	41	213770GT	31	52532GT	45
116057GT	91	1256083GT	41	216370GT	23	52533GT	45
116058GT	91	1256166GT	39	216590GT	11	5397GT	39
116059GT	91	1256167GT	39	216591GT	17	54177GT	93
116061GT	91	1256194GT	59, 67	216631GT	23	55306GT	61, 63, 71
116064GT	91	1256199GT	59, 67	217072GT	85	57332GT	31
116073GT	83	1256200GT	59, 67	217073GT	81	57440GT	89
116109GT	91	1256268GT	59, 67	217215GT	23	58291GT	53
116121GT	57	1256920GT	59, 67	217380GT	81	58292GT	53
116144GT	95	1257665GT	53	217381GT	81	58356GT	55
116145GT	95	1258649GT	35, 37, 39	217382GT	81	58427GT	53
116148GT	95	1262295GT	89	217423GT	23, 77, 81	6-5208-32GT	55
116151GT	95	1262632GT	31	217425GT	81	6-5208-44GT	31
116152GT	95	1274237GT	47	217435GT	85	6-6212-08GT	85
116153GT	95	1275721GT	53	217436GT	39	6024GT	31
116154GT	95	1277953GT	55	217438GT	85	6034GT	41
116168GT	55	133012GT	13	217717GT	25, 27	6035GT	31
116169GT	55	133017GT	13	217718GT	93	6090GT	81
116172GT	55	133031GT	17, 19	218691GT	31	6091GT	83, 85
116177GT	55	133055GT	19	22120102GT	87	6095GT	31, 81, 93
116178GT	55	133062GT	13, 19	22123080GT	83	6096GT	81
116184GT	55	133065GT	17, 19	22124015GT	43	6097GT	23
116187GT	55	133066GT	19	22124016GT	43	6184GT	41
116211GT	95	133148GT	11, 13, 15	22124025GT	43	6190GT	41
116212GT	95	133149GT	17, 19, 21	227082GT	31	61975GT	23
116244GT	55	133460GT	11	227518GT	11, 13, 17, 19	6198GT	31, 41, 55, 79, 81, 93
116249GT	43	133461GT	11, 13	22832GT	41	62118GT	47
116252GT	43, 55	133462GT	13	228458GT	53	62296GT	45
116253GT	55	133463GT	13	229457GT	55	62421GT	51
116254GT	55	133477GT	11	230561GT	29	6291GT	41
116503GT	45	133482GT	11	230736GT	35, 37, 39	65636GT	51
116517GT	55	133483GT	11, 13	231332GT	49	65638GT	51
116518GT	51	133484GT	11	231333GT	49	65638GT	51
116519GT	51	13854GT	31	232508GT	91	660287GT	73
116523GT	43, 45	139265GT	53	232508GT	89	660320GT	25, 27
116587GT	95	139272GT	51	234828GT	11, 13, 17, 19	663400GT	73
116588GT	95	139278GT	45	234842GT	45	663401GT	73
116729GT	51	139279GT	45	235489GT	11, 13, 17, 19	663405GT	73
116733GT	43	14262GT	25, 27	235490GT	11, 13, 17, 19	663420GT	73

Part Number	Page	Part Number	Page	Part Number	Page	Part Number	Page
663430GT	73	825075GT	27	85155GT	25, 27	990610GT	79, 81
663520GT	35, 37, 39	825079GT	27	851691GT	11, 13, 17, 19	990650GT	23, 75, 77, 79, 81
663850GT	87, 89, 91	825081GT	27	851692GT	11, 13, 17, 19	990670GT	35, 37, 39, 57, 65
663860GT	33	826910GT	61	851693GT	11, 13, 17, 19	990675GT	87, 89
663870GT	73	826911GT	69	851694GT	11, 13, 17, 19	990810GT	87
6638GT	83, 85	826915GT	61, 69	851820GT	23	990880GT	83
67230GT	31	826916GT	73	85206GT	55	991650GT	31, 35, 37, 39, 43, 51, 55, 79, 81, 87, 89, 91
67231GT	31	826917GT	73	85207GT	55	991761GT	55, 95
6782GT	45	832128GT	45	853289GT	11	991940GT	93
680020GT	87, 89	833524GT	87	853294GT	11	99199GT	47
680030GT	61, 69	833543GT	87	865055GT	45	992330GT	35, 37, 39
680080GT	73	833547GT	87	865085GT	43	992760GT	23, 75, 79
680190GT	73	833563GT	87, 89	865100GT	47	993120GT	93
680250GT	35, 37, 39	833564GT	87, 89	865257GT	47	993180GT	23, 83, 85
682311GT	93	833565GT	87, 89	865263GT	43	993310GT	57, 65
682470GT	87, 89	833566GT	87, 89	865276GT	45	993850GT	35, 37, 39
682660GT	93	833567GT	87, 89	865307GT	43	993860GT	23
682715GT	61, 63, 69, 71	833568GT	87	865435GT	45	994200GT	93
682740GT	35, 37, 39	833569GT	87, 89	866030GT	47	994330GT	93
682750GT	35, 37, 39	833570GT	87, 89	866040GT	47	994380GT	73
683870GT	69	833571GT	87, 89	866050GT	47	994420GT	69
683950GT	87, 89	833573GT	87, 89	866068GT	53	994830GT	43
684167GT	61, 69	833574GT	87, 89	866081GT	45	994920GT	81
684310GT	93	833577GT	87, 89	866090GT	45	995110GT	43
684380GT	61, 63, 69, 71	833578GT	87, 89	866101GT	45	995100GT	69
684450GT	61	833581GT	87, 89	866110GT	43	995310GT	31
684640GT	61, 63	833582GT	87, 89	866113GT	43	995380GT	43
686160GT	61, 63	834204GT	23	866120GT	43	995420GT	35, 37, 39
686220GT	61, 69	834211GT	23	866126GT	49	995490GT	33
6888GT	83, 85	834219GT	23	866127GT	49	995790GT	81
69209GT	41	834228GT	29	866128GT	49	995810GT	25, 27, 35, 37, 39
69819GT	79, 81	834250GT	29	866129GT	49	995970GT	87, 89, 91
709034GT	87	8357GT	85	866394GT	43, 45	996340GT	57, 65
709133GT	73	836853GT	55	866825GT	45	996920GT	65
709146GT	93	836856GT	55	87722GT	79, 81	C21353GT	35, 37
71979GT	91	839011GT	45	890785GT	25, 27	C2450108GT	87
72077GT	13, 17, 19	839027GT	45	890790GT	43	C41100720GT	87
72086GT	11, 13, 17, 19	839034GT	45	890795GT	25, 27, 47	C41101100GT	93
72343GT	53	839049GT	49	891520GT	25	C41135000GT	79
72348GT	51	839103GT	45, 47	891550GT	25	C48300108GT	73
732205PPGT	43	839107GT	47	891560GT	25	C51400301GT	35, 37, 39
740455GT	95	839109GT	43	89163GT	31	C51600200GT	23
740620GT	25, 27	839110GT	43	89230GT	95	C51600500GT	59, 67
740770GT	43	839119GT	47	89761GT	51	C51600600GT	23
740920GT	43	839134GT	45	89764GT	51	C51600800GT	43, 79, 81
741140GT	47	839149GT	47	898590GT	25, 47, 95	C51601442GT	43, 79
75144GT	35, 37, 39	839151GT	45	90604A144GT	63, 71	C51601444GT	57, 65
7604GT	29	839154GT	45	92147A420GT	63, 71	C51601450GT	35, 37, 39
77055GT	11, 17	839157GT	47	930950GT	23	C51601451GT	35, 37, 39
77172GT	11, 17	839190GT	45	94889GT	51	C51601462GT	23
77183GT	11, 17	839200GT	47	97426GT	53	C51601530GT	35, 37, 39
790510GT	23	839209GT	45	97427GT	51	C51601570GT	79, 81
790540GT	31	839244GT	45	97428GT	53	C54100200GT	23
790940GT	35, 37, 39	839246GT	45	97461GT	51	C54200200GT	79
791910GT	75, 77	840221GT	23	97473GT	53	C54200300GT	23
792750GT	25, 27	840222GT	23	974800GT	45	C54200400GT	35, 37, 39
794890GT	35, 37	840376GT	29	97483GT	51	C54200700GT	79, 81
796432GT	35, 37, 39	840395GT	23	97518GT	15	C54200800GT	23
796436GT	35, 37, 39	84042GT	45	97602GT	11, 13	C54201300GT	23
800004GT	73	841430GT	23	97666GT	11	C54300400GT	23
80103GT	91	841473GT	23	97675GT	11, 13	C61100200GT	41
80379GT	43, 55	84812GT	51	981065GT	93	C61300402GT	23
822782GT	37, 39	84813GT	51	981120GT	35, 37, 55, 95	C61300500GT	23
822784GT	69	84814GT	51	981450GT	55	C61300501GT	23, 35, 37
822785GT	37	84815GT	51	981640GT	87, 89	C61300502GT	23, 35, 37, 39
822789GT	61	84860GT	51	990150GT	23	C61400100GT	23
822807GT	73	85069GT	51	990160GT	23	C83400100GT	35, 37, 39
822809GT	73	85071GT	51	990170GT	35, 37, 95	C90200400GT	25
823380GT	91	85087GT	53	990200GT	23, 43, 83	CR51A102GT	23
823444GT	23	85089GT	53	990210GT	43, 55, 79	CR58C012GT	35
823502GT	73	85124GT	51	990230GT	83	CR59B035GT	25, 27
823775GT	23	85127GT	53	990270GT	51, 55, 83	CR61C010GT	79
82472GT	17, 19	85130GT	53	990390GT	85	CR61C018GT	79
82481GT	19	851310GT	23	990415GT	43, 51, 55	CR61C020GT	79
82487GT	17, 19	85140GT	51	990460GT	55		
825071GT	27	85143GT	53	990470GT	55, 95		

Part Number Index (continued)

Part Number	Page
CR61C030GT	79
CR63A040GT	35, 37
CR64C010GT	83
CR82A150GT	93
CR82A160GT	93
CS61A053GT	79
CS61C060GT	79, 81
CS62A011GT	23
CS82A020GT	23
CU61A025GT	75, 77
CU61A035GT	75, 77
CU61A090GT	79, 81
CU63A040GT	35, 37
CU63B054GT	23
R660010GT	61, 63, 69, 71
R660715GT	73
R661490GT	61, 69
R890065GT	25, 27
R980300GT	93
R981095GT	51
T106193GT	61, 63, 69, 71
T108021GT	15
T108022GT	15
T108023GT	21
T108024GT	21
T108880GT	75, 77
T109014GT	73
T109127GT	31
T109129GT	31
T109414GT	73
T109757GT	57
T110632GT	31
T111700GT	55
T113641GT	61, 63, 71
T113642GT	61, 63, 69, 71
T113644GT	61, 63, 69, 71

Go to Discount-Equipment.com to order your parts

The Part Description Index is an alphabetical index of all part descriptions included in this manual. The index shows what page(s) the part is used on.

A

AIR BREATHER PRE-CLEA.....95
 AIR CLEANER BRACKET, D1105.....49
 AIR FILTER,ASSEMBLY.....53
 ALTERNATOR,15A,PERKINS 103.10.....53
 ALTERNATOR,KUBOTA*.....45
 AS-RING HITCH MOUNT.....31
 AS-WELDMENT, CRADLE.....35, 37, 39
 AS-WELDMENT, PANEL, REAR, RL4.....35, 37, 39
 AS:ENGINE RISER 3.25 HIGH.....43
 ASM CCORD JBOX.....73
 AXLE ASSY,2200#,STRAIGHT.....29
 AY,DSL FUEL/WATER SEPARATOR.....95

B

BALL, 2" ZINC.....31
 BALLAST ASSY,50HZ,MH,1000W.....33
 BALLAST ASSY,60HZ,MH,1KW,120V.....33
 BALLAST MH 50HZ 120V/.....33
 BALLAST/CAP MH60Hz120.....33
 BASE,CONTROL BOX,AL4 CONS.....57
 BASE,TRAILER RL4.....23
 BATTERY.....23
 BATTERY HOLD DOWN ROD.....23
 BATTERY,12V,700CCA.....23
 BEARING, MARATHON GEN.....55
 BEARING, ODE.....55
 BEARING,ALXL,840377,841050.....29
 BEARING,BRKT,ODE(5412).....55
 BELT-FAN, PERKINS (103.10).....51
 BKT,FILTER MNT,PERKINS 403D-11G.....53
 BODY,AIR CLEANER,KUBOTA.....49
 BOLT 3/4 -10X 5 Z G5.....23
 BOLT, HANDLE.....91
 BOLT,AXLE,3/16X3 W/7/16-20STEP.....23
 BOLT,CARRIAGE 3/8-16X.75 Z KEG.....35, 37
 BOLT,M10-1.25 x 35,W/HOLE.....43
 BOLT,TEE 1/2-20 X 4.5.....79, 81
 BOOM,2" SECTION.....79
 BOOM,3" SECTION.....79
 BOOM,4" SECTION.....79
 BOX,JUNC,LIGHT TWR,4 CONN.....73
 BRACKET ADJ HGT 6".....31
 BRACKET FIRE EXT 20LB RL4.....93
 BRACKET TIRE MOUNT SPARE.....93
 BRACKET W/BALL,GAS SPRING.....35, 37, 39
 BRACKET, BEARING ODE (5411).....55
 BRACKET, FUEL FILTER.....47
 BRACKET, LIFT CONTROL BOX.....59, 67
 BRACKET, SOCKET MOUNT.....91
 BRACKET,E-BOX,AUTOSTART,AL4.....57
 BRACKET,GENERATOR MOUNT.....55
 BREAKER 1P 15A 277VA.....69
 BREAKER,15A,120VAC 1P,CSA.....61, 63, 71
 BREAKER,20A MINI,120VAC 1P,CSA.....61, 63, 69, 71
 BREAKER,30A 250VAC 2P,CSA.....61, 63, 69, 71
 BRKT,E-BOX HANGER,SHORT.....57
 BRKT,SOCKET MOGUL FO.....87, 89
 BRKT,TRUNION.....87, 89
 BUMPER, DOOR, RUBBER.....35, 37, 39
 BUMPER,RUBBER-1 X 1.25.....45
 BUSHING, 630DX.328ID .375T.....45

C

CABLE GUARD FOR 7P CONN(663400).....73
 CABLE KEEP KIT (BRACKET TYPE)*.....41
 CABLE SET,BATTERY,24" RED&BLK.....73
 CABLE, POWER, 10/4 48".....73
 CABLE,1/16",7X7 480LB.....23
 CABLE,EXT,LOWER, 3/16 X 11'.....75, 77
 CABLE,EXT,UPPER, 3/16 X 19'.....75, 77
 CABLE,TOWER TILT,.25 IN RL4.....23
 CAP FUEL RL4/AL4 WITH TETHER.....25, 27
 CAP, OIL FILLER.....51
 CAP,RADIATOR,AL,KUBOTA DF-752.....43
 CAP,RADIATOR,KUBOTA D905.....43
 CAP-RADIATOR,PERKINS (103.10).....53
 CAPACITOR 24uF MH 60H.....33, 63, 71
 CAPACITOR, 8KW GENERATOR,5420.....55
 CAPACITOR,45 MF***OVAL.....55
 CAPACITOR,50HZ MH,26MF(BALLAST).....33
 CAPACITOR-ROUND 25MF.....55
 CASTING, FIXTURE QUICK CONNECT.....87, 89
 CB,3/4"-10X4",Z.....85
 CHAIN, SAFETY, SNAP HOOK.....23
 CLAMP 7/16 TO 25/32.....25, 27
 CLAMP,CAPACITOR.....55
 CLAMP,HOSE.....43, 45
 CLAMP,HOSE,1.00.....53
 CLAMP,HOSE,KUBOTA WG750.....45
 CLAMP,LENS (233777GT).....89
 CLAMP,LENS (C41100720).....87
 CLEVIS PIN 1/2X1.5 SS.....23, 75, 79
 CLEVIS PIN STAINLESS.....81
 CLEVIS PIN, 4.6X60MM.....91
 CLIP,HITCH PIN.....23, 35, 37, 39
 CNTRL BOX,60HZ,MH,4PTL.....61
 COIL CORD 8PIN DEUTSCH.....73
 COIL CORD BULKHEADPLA.....35, 37, 39
 CONN,STRAIN RELIEF,1/2 NPT.....87, 89
 CONNECTOR 12P FEMALE.....61, 69
 CONNECTOR 2 SCREW 1.25T-B.....61, 69
 CONNECTOR 2 SCREW 3/4.....61, 69
 CONNECTOR 3P FEMALE RECEPTACLE...73
 CONNECTOR 5P MALE RECEPTACLE.....33
 CONNECTOR, WIRE NUT.....89
 CONNECTOR,7-POLE,TLITE,RND PIN.....73
 CONNECTOR,BLADE,POS,TAILT, 7P.....73
 CONNECTOR,TAIL LIGHT,6 POLE.....73
 CONNECTOR,TAILLIGHT,4 PIN.....73
 CONTRL BOX 50HZ, MH, 7KW,AL,RL.....69
 CORD SET MALE 5FT. 3P.....87, 89, 91
 CORD,RETRACT,66COIL,14/7 SOWA.....73
 COSMETIC DECAL, BLACK/WHT RL4.....11, 13, 17, 19
 COTTER PIN 1/8X1 SSBIN STOCK.....23, 75, 77, 79, 81
 COTTER PIN 3/32X3/4 S.....81
 COUPLER 2" BALL BULLDOG TMZ.....31
 COUPLER 2-5/16" BALL BULLDOG T.....31
 COUPLER,BALL,2 5/16.....31
 COUPLER,BALL,2" CLASS II.....31
 COVER, RECEPTACLE.....67
 COVER,AIR CLEANER,KUBOTA.....49
 COVER,COIL CORD.....79
 COVER,GLASS/LENS RETAINER CLIP.....91
 COVER,JUNC BOX W/GSKT, 2 GANG.....73

CROSSARM, RECT FIXTURE TOWER.....83
 CROSSHEAD,RL4.....83
 CUSHION,TWR SP,1.25"X0.75"RL4.....35, 37, 39

D

DECAL - 4 (10/CARD BRADY).....11, 13, 17, 19
 DECAL KIT, SYMBOL, RL4.....17
 DECAL KIT, WORD, RL4.....11
 DECAL KIT,SYMBOL,COMPLETE.....19, 21
 DECAL KIT,WORD,COMPLETE.....13, 15
 DECAL, AL/RL CONTROL BOX DC.....11
 DECAL, COSMETIC, RL4.....11, 13, 17, 19
 Decal, Instruction, Lamp Disposal.....15
 Decal, Label, Ground.....13, 19
 DECAL, SYMBOL - READ THE MANUAL...17, 19
 DECAL, WARNING BURN HAZARD.....15
 DECAL,AL/RL,CONTROL BOX,AC.....11
 DECAL,BODILY INJURY SYMBOL.....21
 DECAL,BURN HAZARD SYMBOL.....17, 19, 21
 DECAL,COLLISION HAZARD SYMBOL.....17
 DECAL,CONTROL BOX AC CONSOL.....17
 DECAL,CONTROL BOX DC CONSOL.....17
 DECAL,COSMETIC TEREX,AL4,AL4L.....11, 13, 17, 19
 DECAL,COSMETIC, GENIE LOGO.....11, 13, 17, 19
 DECAL,DANGER,BATTERY SAFETY***.....13
 DECAL,DANGER,ELECTROCUTION HZD.....11, 13
 DECAL,DANGER,HAZARD VOLTAGE.....11, 13, 15
 DECAL,DANGER,NO SMOKING.....11, 13
 DECAL,DANGER-BURN/CO HAZARD.....13
 DECAL,DIESEL.....11, 13, 17, 19
 DECAL,EXPLOSION HAZARD.....11, 13
 DECAL,KUBOTA ENGINE SPECS.....13
 DECAL,LABEL,ARROW.....13, 17, 19
 DECAL,LABEL,BURN/CO2 HAZARD.....19
 DECAL,LABEL,LIFTING EYE.....11, 13, 17, 19
 DECAL,LABEL,NO SMOKING,SYMB.....17, 19
 DECAL,LABEL,TRANSPORT TIEDOWN*..11, 13, 17, 19
 DECAL,LABEL-CRUSH HAZ,TOWER.....19
 DECAL,LABEL-ELEC HAZ,DISTANCE.....17, 19
 DECAL,LABEL-ELEC HAZ,SERV MAN.....17, 19, 21
 DECAL,OPERATING INSTRUCTIONS.....11
 DECAL,PERKINS ENGINE SPECS.....13
 DECAL,SYMBOL-BATTERY SAFETY.....19
 DECAL,TIP HAZARD SYMBOL.....17
 DECAL,TIRE SPECIFICATION.....11, 13
 DECAL,TOW SPEED SYMBOL.....17
 DECAL,WARN,CRUSH HAZARD HAND...11, 13
 DECAL,WARN,EXPLSION/BURN HAZ.....11, 13
 DECAL,WARN,PROTECTIVE BARRIER.....15
 DECAL,WARN,READ MANUAL.....11
 DECAL,WARNING BURN HAZ.....11, 13
 DECAL,WARNING COLLISION HAZ.....11
 DECAL,WARNING TIP-OVER HAZ.....11
 DECAL,WARNING TOW SPEED.....11
 DECAL,WARNING,ALL OUTRIGGER.....23

Part Description Index (continued)

DECAL,WARNING,CRUSH HZD,TOWER.....13
 DECAL,WARNING,CRUSHING.....11, 13, 17,
 19
 DECAL,WARNING,CRUSHING HAZARD...17,
 19
 DECAL- 1 (10/CARD BRADY.....11, 13, 17, 19
 DECAL- 2 (10/CARD BRADY.....11, 13, 17, 19
 DECAL- 3 (10/CARD BRADY.....11, 13, 17, 19
 DECAL- SYMBOL FOR GROUND.....23
 DECAL-ATTN ALL JACKS MUST BE.....23
 DIODE 6AMP-50 PIV 2-WIRE.....73
 DIODE, 12V DC 6A.....61
 DIODE,MARATHON.....55
 DIPSTICK TUBE,PERKINS(403C-11).....51
 DIPSTICK,OIL,KUBOTA.....45
 DIPSTICK,STRAIGHT SHORT.....51
 DRIVE DISC(C-107) MARATHON.....55

E

EA-WIRE HARNESS,PERKINS,DC.....73
 ELEMENT,AIR CLEANER,KUBOTA.....49
 ELEMENT,FUEL FILTER,KUBOTA.....47
 ENG FOOT/RAD SUPPORT, ROADSIDE.....43
 ENGINE ACCESSORY TEMP SENDER.....47
 ENGINE FOOT/RAD SUPPORT,CURBSD.....43
 ENGINE RISER,2/75"H,FOR 1/2BLT.....43
 ENGINE,KUBOTA,D1105 PAK.....43

F

FAN.....51
 FAN PULLEY.....51
 FAN,PUSHER,KUBOTA 15263-12370.....45
 FENDER,STEEL,RL4.....35, 37, 39
 FIBERGLASS PAD,RECT LAMP FIXT.....91
 FILM,POLY,CLEAR,4.5 X 8.75.....11, 17
 FILTER, OIL-PERKINS (103-10)**.....51
 FILTER,30 MICRON FUEL-WATER.....95
 FILTER,FUEL,KUBOTA.....47
 FILTER,FUEL,PERKINS.....51
 FILTER,IN-LINE,FUEL,5/16".....25, 27
 FILTER,OIL,KUBOTA.....47
 FITTING 1/8,FITTING FOR DOWN T.....27
 FITTING, 5/16, WITH TUBE.....27
 FITTING,PICKUP & RETURN.....25
 FITTING,STRAIGHT ADAPTER.....25
 FIXTURE ASSEMBLY 1000W RECT.....91
 FIXTURE HOUSING BASE,1KW RECT.....91
 FIXTURE LIGHT MH BLACK COATED.....87
 FIXTURE RECT TML 1000W.....91
 FP,CAB TOP,RL4 BUTTE HNGE.....39
 FP-BALLAST BOX BOTTOM.....33
 FP-BALLAST BOX FRONT.....33
 FP-BALLAST BOX REAR.....33
 FP-BALLAST BOX TOP.....33
 FP-BATTERY HOLD-DOWN ROD.....23
 FP-BATTERY HOLDOWN ANGLE.....23
 FP-BRACKET,E-BOX HANGER.....65
 FP-CONTROL BOX REC BACK.....65
 FP-CONTROL BOX REC BOTTOM.....65
 FP-CONTROL BOX REC FRONT.....65
 FP-CONTROL BOX,BODY 50HZ.....65
 FP-CONTROL BOX,FRONT 50HZ.....65
 FP-CONTROL BOX,REAR,SHORT.....65
 FP-CONTROL BOX, TOP.....57, 65
 FP-ENG MNT RT FOOT CS PERK T4.....51
 FP-ENG MNT RT FOOT RS PERK T4.....51
 FP-GEN MNT BAR,MAR SM HOLES.....55
 FP-GEN MOUNT BAR RL PERK T4.....55

FP-GENSET SPACER.....43, 55
 FP-GENSET SPACER P.....43
 FRAME SPACER,K-1550 (7584).....41
 FUEL FILTER ASSEMBLY.....51
 FUEL INJECTOR.....51
 FUEL TANK ASSY,PLASTIC,30G,RL4.....27
 FUEL TANK SUPPORT BRKT. RL4-B.....25, 27
 FULTON HANDLE FOR JACK.....23
 FUSE HOLDER,ATC BLADE,#16.....95
 FUSE,ATC BLADE,10A.....95

G

GASKET (52532) OIL DRAIN, D905.....45
 GASKET, FUEL HEATER.....95
 GASKET, HOUSING REFLECTOR BASE...87,
 89
 GASKET, THERMOSTAT, PERKINS.....53
 GASKET,EXH FLANGE-FORD/PERKINS.....53
 GASKET,EXHAUST MANIFOLD,D905.....45
 GASKET,FUEL FILTER.....95
 GASKET,HOUSING BASE, TOPFRAME.....91
 GASKET,INJECTION PUMP.....47
 GASKET,LIGHT SOCKET.....91
 GASKET,MUFFLER,KUBOTA D905/11.....45
 GASKET,RECTANGULAR GLASS/LENS.....91
 GASKET,SOLENOID,KUBOTA.....47
 GASKET,SOLENOID,PERKINS 72350.....51
 GASKET,STRAIN RELIEF,1/2.....87, 89
 GASKET,WATER COLLECTOR.....95
 GASKET,WATER PUMP.....45
 GASKET,WATER PUMP, 403C-11.....51
 GASKET-DRAIN PLUG,ENG OIL PAN.....45
 GASKET-EXHAUST MANIFOLD/PERKIN.....53
 GASKET-OIL PAN,PERKINS 103.10.....51
 GENERATOR,6.5KW,220V,50HZ,MAR.....55
 GENERATOR,6KVA,240VAC,60HZ.....55
 GENERATOR,8KW,240V,60HZ,MAR.....55
 GLASS LENS.....91
 GLASS/LENS,RECTANGULAR PSI.....91
 GLOW PLUG, 403C-11.....51
 GREASE CAP, AXLE, 3000LB.....29
 GREASE SEAL.....29
 GRIP,HUBBLE 07401010.....73
 GROMMET ASSEMBLY.....91
 GROMMET DAPCO RUBBER SM.....27
 GROUND CLAMP 3/4 MW 2.....93
 GUARD,FAN,KUBOTA.....43

H

HAMMERBLOW HANDLE FOR JACK.....23
 HAMMERBLOW SPINDLE NUT,AXLE.....29
 HANDLE, ADJUSTMENT.....91
 HANDLE,CHROME,5.75".....35, 37, 39
 HASP CABINET DOOR5584AL4/5.....35, 37,
 39
 HEATER, TOPLOAD FUEL, 100W/12V.....95
 HINGE, BUTT.....39
 HINGE,STAINLESS STEEL,BLACK.....35, 37
 HITCH RING,COMBO,16"LENGTH.....31
 HITCH,2.5"RING,6 TON.....31
 HITCH,3"RING,6TON.....31
 HITCH,RING,BOLT-ON 2.5" ID.....31
 HOLDER SPRING ACTION5.....93
 HOLDER, LITERATURE.....35, 37, 39
 HOSE FITTING PIPE/BAR.....25, 47, 95
 HOSE FITTING PIPE/BARB 1/8MX.....25, 27
 HOSE, FUEL FILTER -INJ., 403D.....51
 HOSE, INTAKE, KUBOTA D1105.....49

HOSE, WATER PUMP (PERKINS 404).....51
 HOSE,FUEL LEAK-OFF,403D-11G.....51
 HOSE,FUEL,1/4"ID,PUSH LOK,200#.....43
 HOSE,FUEL,1/8"ID.....25, 27
 HOSE,FUEL,5/16"ID.....25, 27, 47
 HOSE,RADIATOR,LOWER,KUBOTA.....43
 HOSE,RADIATOR,PERKINS,TML.....53
 HOSE,RADIATOR,UPPER PRKNS,TML.....53
 HOURMETER,DIGITAL,RECTANGULAR...61,
 63, 69, 71
 HOUSING,FLYWHEEL,403C-11.....53
 HOUSING,OUTRIGGER RL4.....23
 HUB SPACER.....55

I

IGNITION SWITCH,LEVER OPR...61, 63, 69,
 71
 ISOLATOR, ENGINE MOUNT.....43, 55
 ISOLATOR,ENGINE,390LB.....43
 ISOLATOR,ENGINE,70D.....51

J

JACK BRACKET,WELD ON SWIVEL.....23
 JACK,MECHANICAL,3000LB.....23
 JUMPER-GLOW PLUG.....47
 JUNC.BOX,4MH/HPS.....73

K

KIT CNTRL BOX 50HZ ALRL4.....69
 KIT CNTRL BOX 60HZ ALRL4.....61
 KIT COIL CORD W JUNCTION BOX.....73
 KIT COIL CORD WO/ JUNCTION BOX.....73
 KIT CONTROL BOX TO COIL CORD.....61, 69
 KIT, COIL CORD HW.....73
 KIT, REDESIGNED RL4 BASE.....23
 KIT,HUBS,BRINGS&SEALS,116949GT.....29
 KIT,U-BOLT,PLATE,&NUTS,116949.....23
 KIT:OIL DRAIN W/VALVE,KUBOTA.....45
 KUBOTA 01123-50820 BOLT.....45, 47
 KUBOTA 15111-72200 WASHER.....43
 KUBOTA 15263-12370BAND PIPE.....49
 KUBOTA 16221-73270GASKET.....45
 KUBOTA 66711-54520COV.....45
 KUBOTA BELT COVER.....45
 KUBOTA DYNAMO STAY.....45
 KUBOTA EXHAUST MANIFOLD.....45
 KUBOTA FLANGE BOLT.....45
 KUBOTA GLOW PLUG.....47
 KUBOTA HEAD COVER GASKET.....45
 KUBOTA HOSE,D905, D1105.....43, 45
 KUBOTA INJECTOR PUMP, D1105.....47
 KUBOTA KIT, HOLDER,NOZZLE.....47
 KUBOTA NUT.....45
 KUBOTA O-RING.....45
 KUBOTA OIL FILLER PLUG,V1305.....45
 KUBOTA OVER FLOW PIPE.....47
 KUBOTA OVERFLOW PIPE.....47
 KUBOTA SNAP PIN.....43
 KUBOTA WATER PIPE.....43, 45
 KUBOTA WATER PIPE 16241-73350.....45

L

Label - Burn Hazard.....17, 19
 LABEL,BLANK,4X5,CHROME POLY***.....11,
 17
 LABEL,TRAVEL LOCK.....13
 LAMP BRACE, RECT HOUSING.....91

LAMP MH 1000W BT37HOR.....89, 91
 LAMP MH 1000W M1000/U SYL.....87
 LATCH HEAVY DUTYSPRING.....23
 LEG,OUTRIGGER RL.....23
 LENS GASKET FOR LIGHT FIXTURE.....87,
 89
 LENS W/GASKET (233777).....89
 LENS W/GASKET (C41100720).....87
 LENS,LIGHT (57449).....91
 LIGHT DOME 12V W/SWITCRL4.....93
 LIGHT FIXTURE, MH, ROUND, 16".....89
 LIGHT FIXTURE,MH,AL4,RL4,AL5.....87
 LIGHT INDICATOR 12VRED.....61, 63, 69, 71
 LIGHT SOCKET,PSI RECT 5 KV.....91
 LIGHT,LICENSE TAG W/BRACKET.....35, 37,
 39
 LOCKNUT, CONDUIT 3/4CSA APPVD.....35,
 37, 39
 LOCKNUT,CONDUIT,1/2 CSA APPVD.....87,
 89

M

MA-GROUND ROD LT.TWR.....93
 MA-TOWER ASSY W/CABLES,RL4
 (C116810).....75, 77
 MANIFOLD-EXHAUST,PERK (103.10).....53
 MARATHON SUPPRESSOR/VARISTOR.....55
 MOUNT FRONT TIRE-SPAR.....93
 MUFFLER BRACE.....43
 MUFFLER, PERKINS, RL-4.....53
 MUFFLER,KUBOTA.....45

N

NIPPLE CHASE 1/2CSA APPVD.....35, 37, 39
 NIPPLE CHASE 3/4CSA APPVD.....35, 37, 39
 NUT FLANGE 3/8 -16.....23
 NUT CLIP 1/4 -20X3/4.....43, 79, 81
 NUT CLIP, 1/4-20 X 1/2.....59, 67
 NUT HEX 6-32NCGRADE 2ZP.....93
 NUT LOCK NYLON INSERT 3/8.....35, 37, 95
 NUT LOCK NYLON INSERT,10-32JAM.....35,
 37, 39
 NUT, NYLOCK 7/8-9 Z.....23
 NUT,AXLE SPRING 2000NO.....23
 NUT,CLIP,3/8-16X.75.....23
 NUT,EXHAUST MANIFOLD.....45
 NUT,FLANGE,5/16-18 Z.....35, 37, 39
 NUT,FLG-LRG,3/8-16,YZ.....79, 81
 NUT,HEX,1-8.....31
 NUT,HEX,JAM,1/2-13.....41
 NUT,LOCK,3/8-16.....41
 NUT,NYLOCK,1/2-13.....31, 41, 55, 79, 81, 85,
 93
 NUT,NYLOCK,1/2-13 GR2.....23, 43, 83
 NUT,NYLOCK,1/4-20.....83, 85
 NUT,NYLOCK,1/4-20 GR2.....23
 NUT,NYLOCK,3/4-10 ZP.....23, 83, 85
 NUT,NYLOCK,3/8-16.....23
 NUT,NYLOCK,4-40.....61
 NUT,NYLOCK,5/16-18.....45, 93
 NUT,NYLOCK,5/8-11.....31
 NUT,NYLOCK,7/8-9.....79, 81
 NUT,TL FLG,M8-1.25,DIN6927,10,ZAB.....39
 NUT,WHEEL, 1/2 X 20.....29
 NUTS,EXHAUST.....53
 NUTSERT,1/4-20.....57, 65
 NUTSERT,8-32 (833543).....87, 89

O

O-RING.....55
 O-RING, LIFT PUMP,(PERKINS 404.....51

P

PANEL, BACK, CONTROL BOX.....59, 67
 PANEL, COVER, TRANSFORMER.....59, 67
 PANEL, DOOR, RL4.....35, 37, 39
 PANEL, FACE, CONTROL BOX.....59, 67
 PANEL, FRONT, CABINET, RL4.....35, 37, 39
 PANEL, MID, CONTROL BOX.....59, 67
 PANEL, TOP, CABINET, RL4.....35, 37
 PANEL, UNDERDOOR, CURBSIDE.....35, 37,
 39
 PANEL, UNDERDOOR, ROADSIDE.....35, 37,
 39
 PANEL,CNTL BOX FACE,CSA.....57
 PANEL,REAR,CTRL BOX (186540GT).....57
 PERKINS 135326205AIR.....53
 PIGTAIL,FUEL SOLENOID,KUBOTA.....73
 PIN QUICK 1/4X 1.75 ZP.....31
 PIN W/RING 3/4X11,HORZ LOCK.....39
 PIN,0.75 X 7' ZINC.....23, 35, 37
 PIN,CLEVIS,STL 1/2"DIA X2/0"LG.....23, 77, 81
 PINCOTTER 0.125 1.750.....29
 PINION GEAR AND DISC K-1550 (7590).....41
 PINION SHAFT.....41
 PIPE FITTING STR ELBO.....25
 PIPE PLUG 1/4 GALV.....95
 PIPE,INJECTOR 1, 403C-11.....51
 PIPE,INJECTOR 1,D905,D1105.....47
 PIPE,INJECTOR 2, 403C-11.....51
 PIPE,INJECTOR 2,D905,D1105.....47
 PIPE,INJECTOR 3, 403C-11.....51
 PIPE,INJECTOR 3,D905,D1105.....47
 PLATE,SIDE,COMBO HITCH,BOLT-ON.....31
 PLUG, ENGINE OIL, D1105.....45
 PLUG,ENGINE OIL DRAIN,D-905***.....45
 PLUG,HEX SOCKET,3/8 MPT.....25, 27
 PLUG,OIL DRAIN,PERKINS 403D-11G.....51
 PULLEY,CRANK, 403C-11.....51
 PULLEY,FAN,KUBOTA, D-905,GS68.....45
 PULLEY,STEEL,3".....23
 PUMP,FUEL, 12VDC.....25, 27
 PUMP,LIFT(FUEL) PERKINS(54555).....51
 PUMP,PRIMER,PERKINS***.....25, 27
 PUMP,WATER.....51

R

RACE, INNER.....29
 RACE, OUTER.....29
 RADIATOR HOSE,KUBOTA.....43
 RADIATOR, KUBOTA, D905 & D1105.....43
 RADIATOR,PERKINS,TML.....53
 RATCHET KIT (K-1500,K-1550)**.....41
 RECEP 30A 120V/240V 4 POLE.....61, 63
 RECEP 30A 20V 3POLE.....61
 RECEPTACLE 20A 120V DUPLEX GFI.....61,
 63
 Ref, GENERATOR.....49
 Ref, GENERATOR FASTENERS.....49
 REFLECTOR & LENS ASSY 16 INCH FIX...89
 REFLECTOR & LENS ASSY STD FIX.....87
 REFLECTOR (C41100720).....87
 REFLECTOR BASE.....91
 REFLECTOR LAMP SIDE.....91
 REFLECTOR SIDE.....91
 REGULATOR,12V-PERKINS 103.10.....53

RELAY 12V DC 30A NO OR.....61, 69
 RETAINER CLIP,GLASS/LENS.....91
 RETAINER,SPRING,1.21 X .375.....23
 RETAINING RING (6200).....41
 RING,REINFORCING (C41100720).....87, 89
 RIVET POP 1/4 X1/2.....79
 RIVET POP 1/8X.390 GR.....87, 89
 RIVET, .250 X .375.....59, 67
 RIVET,POP,3/16 DIA X .45,AL.....81
 RIVET,POP,SS,3/16"X1/2" BLIND.....35, 37,
 39, 57, 65

S

S/S BDSLMS 6-32X1/2.....93
 SCREW 1/2 -13 X 2.....79
 SCREW 1/2-13NCX5-1/2H.....93
 SCREW 1/2-13X 1 Z G5.....79, 81
 SCREW 1/4-20NCX5/8 HW.....25, 27, 35, 37,
 39
 SCREW ALLENHEX 1/2 -13X 1.5.....35, 37, 39
 SCREW FLANGE 1/2 -13X.....23
 SCREW FLANGE 1/4 -20X.....43, 79
 SCREW FLANGE 3/8 X1.5ZP***.....35, 37, 39
 SCREW FLANGE 3/8X 3/4.....79, 81
 SCREW FLANGE 5/16 -18X1.....35, 37, 39
 SCREW, #10-24 X .500 THREAD
 FORMER.....59, 67
 SCREW, #6-32 X .25 PH.....63, 71
 SCREW, FLANGE, 1/4-20 X .75.....63, 71
 SCREW, PANHEAD, 10-32 X 5/8.....35, 37, 39
 SCREW,FLANGE,1/4-20X1/2" PATCH.....57,
 65
 SCREW,HH SLOT,1/4 X 0.75.....33
 SCREW,HH SLOT,8-32X1.....87, 89
 SCREW,HHC,1/2-13 X 1.25.....87, 89
 SCREW,HHC,1/2-13 X 1.5.....87
 SCREW,HHC,1/2-13 X 1.5 GRD 8.....93
 SCREW,HHC,1/2-13 X 2 GR5.....81
 SCREW,HHC,1/2-13 X 3.5.....85
 SCREW,HHC,1/2-13 X 3.5 GR8.....51, 55, 83
 SCREW,HHC,1/2-13 X 4 G.....31
 SCREW,HHC,1/2-13 X 4.5,GRD.8.....31
 SCREW,HHC,1/2-13 X 5.5,GRD.8.....31
 SCREW,HHC,1/2-13 X 6.....31
 SCREW,HHC,1/2-13 X 6 GR8 ZP.....31
 SCREW,HHC,1/2-13 X 6.5.....43
 SCREW,HHC,1/2-13X4,GR8.....55
 SCREW,HHC,1/2-13X7 GR5 YEL.....43, 55
 SCREW,HHC,1/4-20 X .75.....81
 SCREW,HHC,1/4-20 X 1.....83, 85
 SCREW,HHC,3/8-16 X 1.25.....55, 95
 SCREW,HHC,3/8-16 X 1.5.....55
 SCREW,HHC,3/8-16 X 3.75.....23
 SCREW,HHC,3/8-16 X 5 GRD 5 ZNC.....23
 SCREW,HHC,3/8-16 X 5.5 GRD 8.....41
 SCREW,HHC,3/8-16 X 6.....41
 SCREW,HHC,5/16-18X.75,GR8,Y.....55, 93
 SCREW,HHC,5/8-11X4.50,GR8,Y.....31
 SCREW,HHC,7/8-9 X 7 Z G5.....23
 SCREW,HHC,M10X1.25 X 35MM GR 8.....43
 SCREW,HHC,M12X1.25X30MM,GR8.....51
 SCREW,INDENTED HEX,10-24 X .75.....91
 SCREW,M8 X 35MM.....45
 SCREW,PHILLIPS,PHM,4-40 X .50.....61, 63,
 71
 SCREW,PHM,10-16 X 3/4.....57, 65
 SCREW,PHM,10-24 X 5/8.....87, 89
 SCREW,PHM,6-32 X .25.....69
 SCREW,PHM,8-32X3/8.....87, 89

Part Description Index (continued)

SCREW,RH,6-32 X 5/8.....73
 SCREW,RHM,6-32X5/8.....87, 89
 SEAL, OIL FILLER CAP.....51
 SENSOR,WATER TEMPERATURE.....53
 SERIAL LABEL,BLANK,4X8,CHROME*.....11,
 17
 SERVICE KIT,PINION SHAFT-K1550.....41
 SERVICE KIT,PINION SHAFT-K2550.....41
 SHACKLE,AXLE,4-5/8" LONG.....23
 SHEAVE 2-13/16 X11/4,PLASTIC.....23, 81
 SHIELD, RAIN, TRANSFORMER.....59, 67
 SLEEVE,CABLE,1/16".....23
 SLEEVE,COIL CORD,AL4,AL5.....81
 SLEEVE,OVAL,3/16",ALUMINUM.....75, 77
 SLEEVE,WIRE,FIBERGLASS.....87, 89
 SLIDE BLOCK,TOWER GD 1147086.....79
 SNAP RING,JACK (841430).....23
 SOCKET BASE-MOGUL.....87, 89
 SOLENOID,FUEL,3 WIRE,KUBOTA.....47
 SOLENOID,KUBOTA D9/1105 SHTDWN.....47
 SOLENOID,SHUT DOWN PERKIN40422.....51
 SPACER, DRUM BOLT, K-1550.....41
 SPACER, TOWER, RL4.....35, 37, 39
 SPACER,BALLAST,STACKED.....33
 SPACER,SIDE,COMBO,HTCH,BOLT-ON.....31
 SPIDER, MH/HPS.....87, 89
 SPRING, LAMP RETAINER.....91
 SPRING,GAS,16",60LBS.....35, 37, 39
 SPRING,KICKOUT,BOOM/TOWER RL.....79,
 81
 SPRING,LEAF FOR AXLE, 4 PLY.....23
 STANDOFF, LIGHT.....85
 STARTER, PERKINS, 403D.....53
 STARTER,KUBOTA,D1105/905.....45
 STRAP, CAPACITOR.....63, 71
 STUD,EXHAUST MANIFOLD.....45
 STUDS,EXHAUST.....53
 SUPPORT, PLASTIC, 1 X 2.5 X 3.5".....35, 37
 SVC KIT, FRICTION DISC K/KX.....41
 SVC KIT,TAILLIGHTS,RL4/TML.....73
 SWITCH PUSH-BUTTON W/BOOT.....61, 63,
 69, 71
 SWITCH,LOW OIL PRESS,KUBOTA.....45
 SWITCH,OIL PRES,PERK 403D-11G.....51
 SWIVEL,BOOM RL4.....79, 81

T

T-HANDLE.....87, 89
 TAILPIPE,8K EXHAUST.....45
 TANK,RECOVERY,COOLANT,KUBOTA.....43
 TERM RING,#10 NYL INS 12/10.....73
 TERMINAL BLOCK.....55
 TERMINAL BLOCK,MARATHON
 GENERATOR(85206).....55
 TERMINAL RING NYL INS.....93
 TERMINAL STRIP,CE.....87
 THERMOSTAT.....45
 THERMOSTAT COVER.....45
 THERMOSTAT,PERKINS 403D-11G.....53
 THIMBLE WIRE ROPE-3/16.....75, 77
 TONGUE W/JACKBRKT B-O-H.....23
 TOP FRAME,HOUSING BASE.....91
 TRANSFORMER, MH, 60HZ 120V.....63, 71

V

V-BELT,KUBOTA.....45
 VALVE COVER BREATHER.....51
 VALVE COVER, D905.....45

VALVE,AIR CLEANER,KUBOTA.....49
 VALVE,PLASTIC DRAIN.....95
 VIBRATION MOUNT,35".....43

W

WASHER FLAT #10 STAINLESS.....93
 WASHER FLAT 1/2ZP.....43, 55, 79
 WASHER FLAT 1/45/8 SBIN.....35, 37, 39
 WASHER FLAT 3/8 ZP SAE BIN.....35, 37, 55,
 95
 WASHER FLAT 5/16YZP.....35, 37, 39
 WASHER FLAT 5/16ZP SAE/BIN.....93
 WASHER LOCK 1/2ZP.....31, 35, 37, 39, 43,
 51, 55, 79, 81, 87, 89, 91
 WASHER LOCK 3/8ZP.....55, 95
 WASHER LOCK 5/16 ZP BIN.....55
 WASHER LOCK STAR 1/2E.....87, 89, 91
 WASHER, SPLIT LOCK #6.....63, 71
 WASHER,CLAMP,RUBBER(833543).....87, 89
 WASHER,FLAT,1.000,HARDENED.....31
 WASHER,FLAT,1/2 SS 18-8 BIN.....23
 WASHER,FLAT,3/4 ZP.....83
 WASHER,FLAT,7/8 Z.....23
 WASHER,FLAT,SAE 1/4,ZINC.....35, 37, 39
 WASHER,FLAT,SNUB 1/2X2-3/4 ZN.....43, 51,
 55
 WASHER,FLAT,USS,1/2",Y.....31, 81, 85, 93
 WASHER,FLAT,USS,1/4"Y.....83, 85
 WASHER,FLAT,USS,3/8",Y.....23
 WASHER,FLAT,USS,5/16",Y.....39
 WASHER,FLAT,USS,5/8",Y.....31
 WASHER,FLAT,USS,7/8",Y.....79, 81
 WASHER,LOCK,#6 SS.....69
 WASHER,LOCK,M10 ZP.....43
 WASHER,LOCK,STAR 3/4 E.....83
 WASHER,PLAIN,1".....29
 WASHER,RUBBER SEAL.....95
 WATER COLLECTOR AY.....95
 WATER OUTLET, VERTICAL.....53
 WATER PUMP ASSY,KUBOTA.....45
 WEAR PAD, TOWER, RL4.....81
 WELDMENT, MAST BASE.....23
 WELDMENT,LIGHT BAR.....85
 WELDMENT,MAST,2" SECTION,RL4.....81
 WELDMENT,MAST,3" SECTION,RL4.....81
 WELDMENT,MAST,4" SECTION,RL4.....81
 WHEEL/TIRE ASSY,13",175/80 LRB.....23, 93
 WINCH BRACKET, DRUM BOLT LOCK
 (31946).....41
 WINCH HANDLE-O.A.LENGTH-11".....41
 WINCH,W/HNDL,5.1:1,1500LBS.....41
 WING NUT, FIXTURE,RL4,AL4,AL5.....83
 WIRE 8 AWM-MTW GREEN.....93
 WIRE HARN,DC,IN CTRL BOX,2006.....73
 WIRE HARN,ENG,KUBOTA,DC,2006.....73
 WTHRSRIP, 1/4" X 1/2"W.....23

Y

YOKE & BASE PIN ASSEMBLY.....23
 YOKE,PSI RECT.LIGHT FIXTURE.....91

California Proposition 65



Operating, servicing and maintaining this equipment can expose you to chemicals including engine exhaust, carbon monoxide, phthalates, and lead, which are known to the State of California to cause cancer and birth defects or other reproductive harm. These chemicals can be emitted from or contained in other various parts and systems, fluids and some component wear by-products. To minimize exposure, avoid breathing exhaust, do not idle the engine except as necessary, service your equipment and vehicle in a well-ventilated area and wear gloves or wash your hands frequently when servicing your equipment or vehicle and after operation. For more information go to www.P65Warnings.ca.gov/passenger-vehicle.

Breathing diesel engine exhaust exposes you to chemicals known to the State of California to cause cancer and birth defects or other reproductive harm.

- Always start and operate the engine in a well-ventilated area.
- If in an enclosed area, vent the exhaust to the outside.
- Do not modify or tamper with the exhaust system.
- Do not idle the engine except as necessary.

For more information go to www.P65warnings.ca.gov/diesel.

Distributed By:

to order your parts

Parts Manual

RL4

from SN RL412-101

Part No.
216241

Rev B19



Go to Discount-Equipment.com to order your parts

PARTS FINDER

**Search Website
by Part Number**



**Search Manual
Library For Parts
Manual & Lookup Part
Numbers – Purchase
or Request Quote**

Search Manuals

Enter your information to help us find the right parts manual for your machine.

* Brand:

* Model:

* Serial:

* Part Number:

SEARCH

**Can't Find Part or
Manual? Request Help
by Manufacturer,
Model & Description**

Parts Order Form

Please fill in the following information to help us find the right part for your machine.

Manufacturer:	<input type="text"/>
Model:	<input type="text"/>
Description:	<input type="text"/>
Part Number:	<input type="text"/>
Quantity:	<input type="text"/>
Notes:	<input type="text"/>

Discount-Equipment.com is your online resource for quality parts & equipment.

Florida: **561-964-4949** Outside Florida TOLL FREE: **877-690-3101**

Need parts?

Click on this link: <http://www.discount-equipment.com/category/5443-parts/> and choose one of the options to help get the right parts and equipment you are looking for. Please have the machine model and serial number available in order to help us get you the correct parts. If you don't find the part on the website or on one of the online manuals, please fill out the request form and one of our experienced staff members will get back to you with a quote for the right part that your machine needs.

We sell worldwide for the brands: Genie, Terex, JLG, MultiQuip, Mikasa, Essick, Whiteman, Mayco, Toro Stone, Diamond Products, Generac Magnum, Airman, Haulotte, Barreto, Power Blanket, Nifty Lift, Atlas Copco, Chicago Pneumatic, Allmand, Miller Curber, Skyjack, Lull, Skytrak, Tsurumi, Husquvarna Target, Stow, Wacker, Sakai, Mi-T-M, Sullair, Basic, Dynapac, MBW, Weber, Bartell, Bennar Newman, Haulotte, Ditch Runner, Menegotti, Morrison, Contec, Buddy, Crown, Edco, Wyco, Bomag, Laymor, EZ Trench, Bil-Jax, F.S. Curtis, Gehl Pavers, Heli, Honda, ICS/PowerGrit, IHI, Partner, Imer, Clipper, MMD, Koshin, Rice, CH&E, General Equipment, Amida, Coleman, NAC, Gradall, Square Shooter, Kent, Stanley, Tamco, Toku, Hatz, Kohler, Robin, Wisconsin, Northrock, Oztec, Toker TK, Rol-Air, APT, Wylie, Ingersoll Rand / Doosan, Innovatech, Con X, Ammann, Mecalac, Makinex, Smith Surface Prep, Small Line, Wanco, Yanmar