

Resistance Values	
a) Tolerance - $\pm 10\%$ unless specified	
b) Condition - 70°F (21°C); cold machine (no warm-up)	
c) Wiring Diagram	
d) Stop generator before checking resistance	
R1	26 ohms
R2	1 ohm
R3 thru R5	Less than 1 ohm

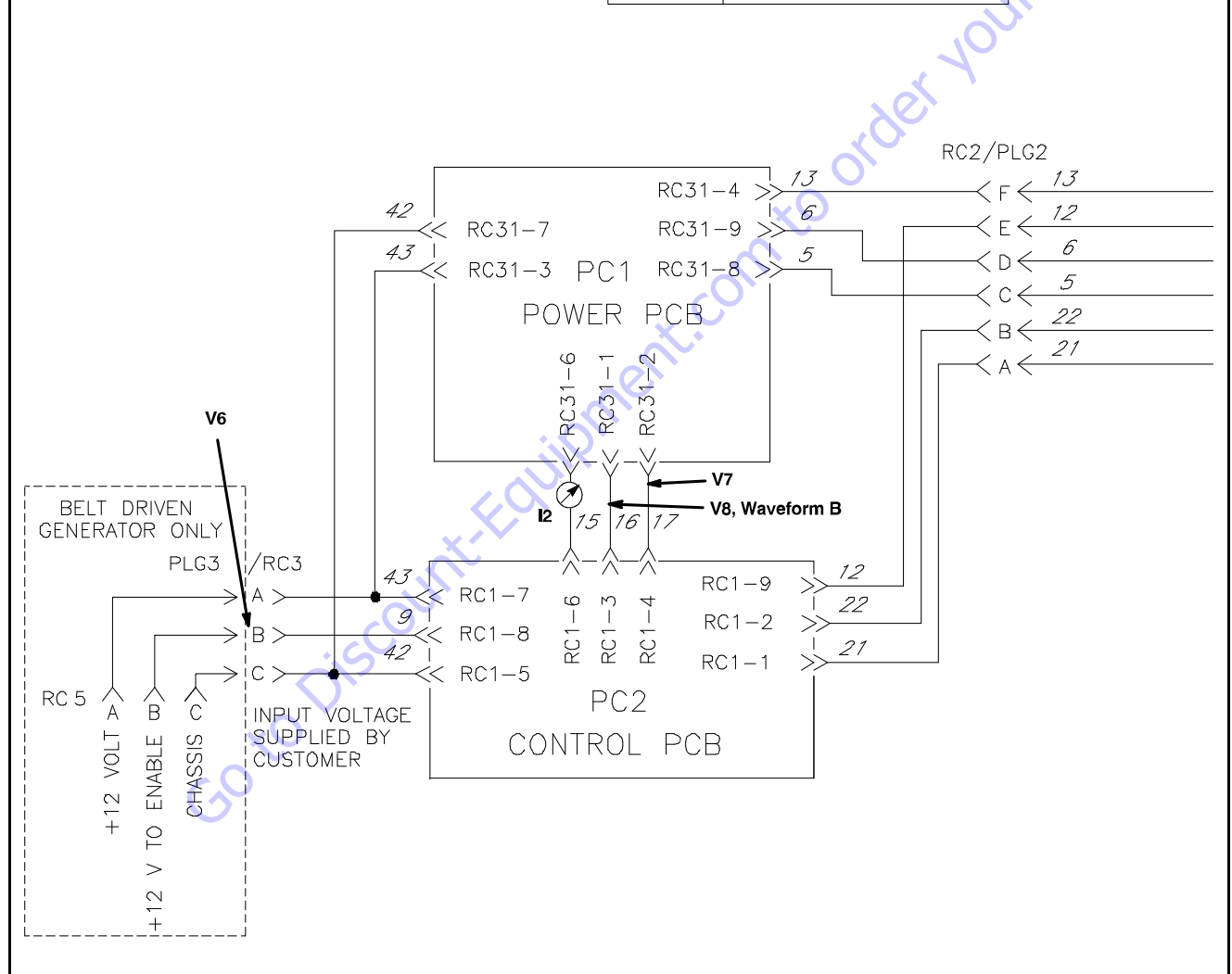


Figure 3-69. Generator Troubleshooting Circuit Diagram - Sheet 1 of 2

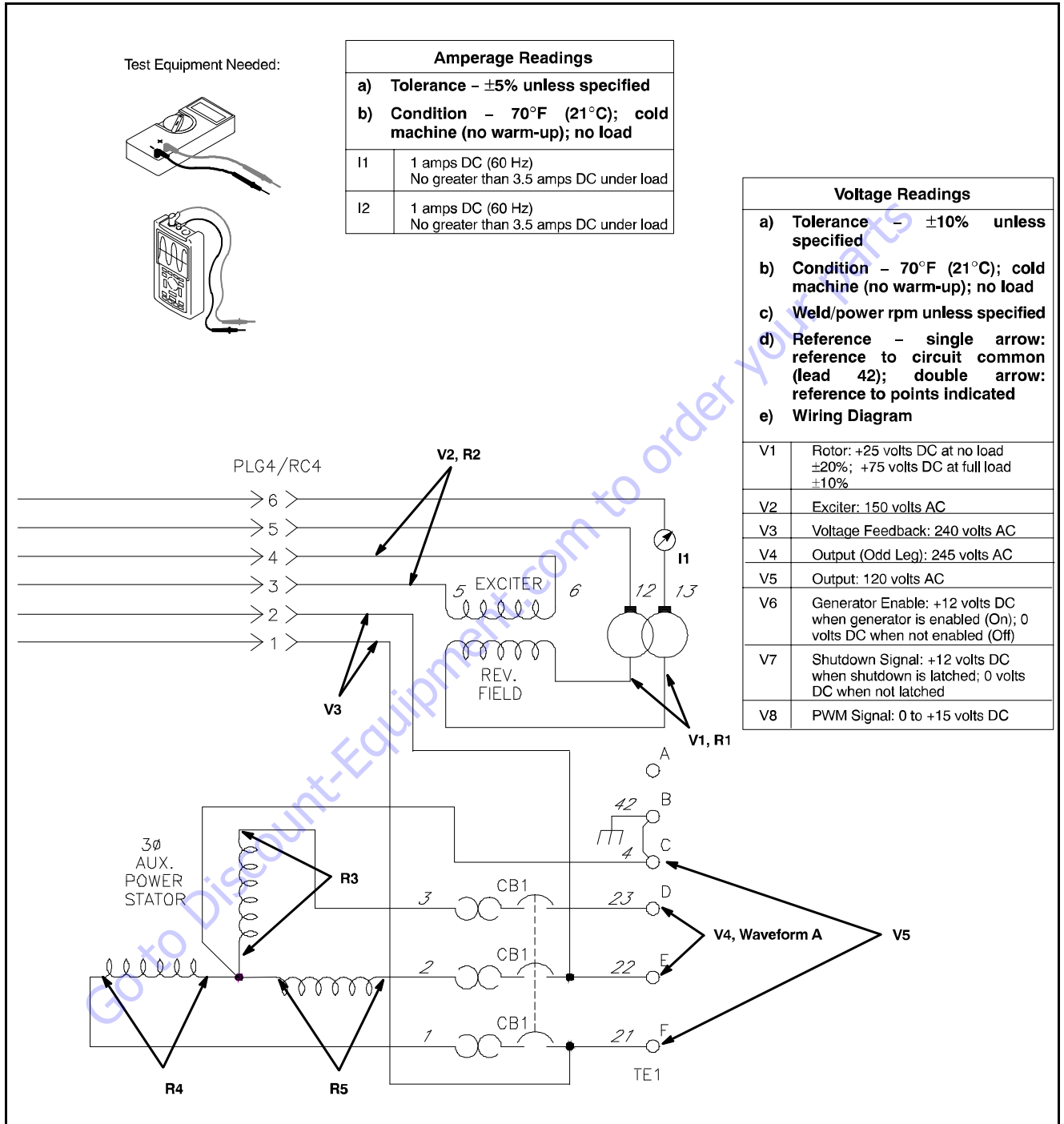


Figure 3-70. Generator Troubleshooting Circuit Diagram - Sheet 2 of 2

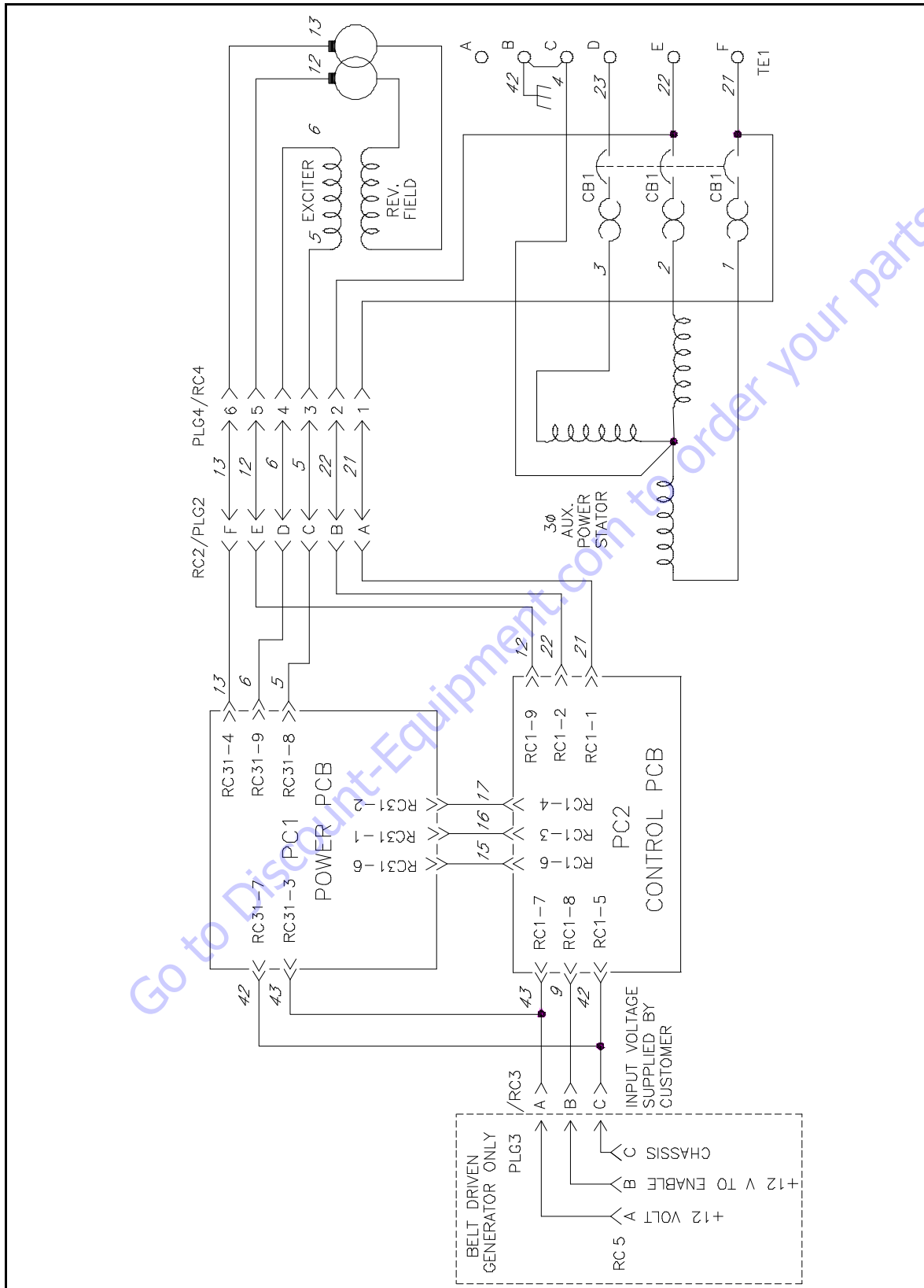


Figure 3-71. Generator Electrical Circuit Diagram

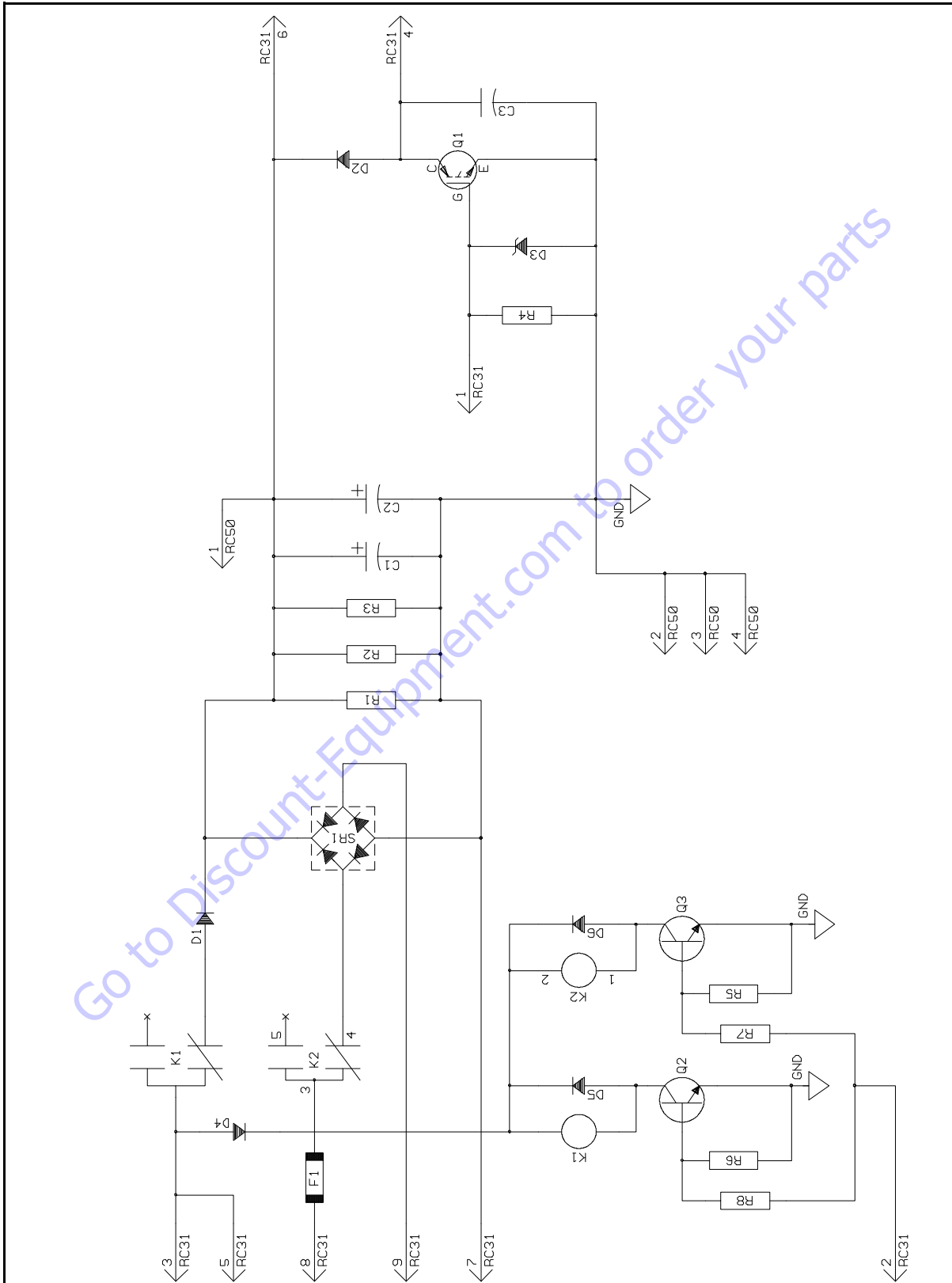


Figure 3-72. Power Board PC1 Electrical Circuit Diagram

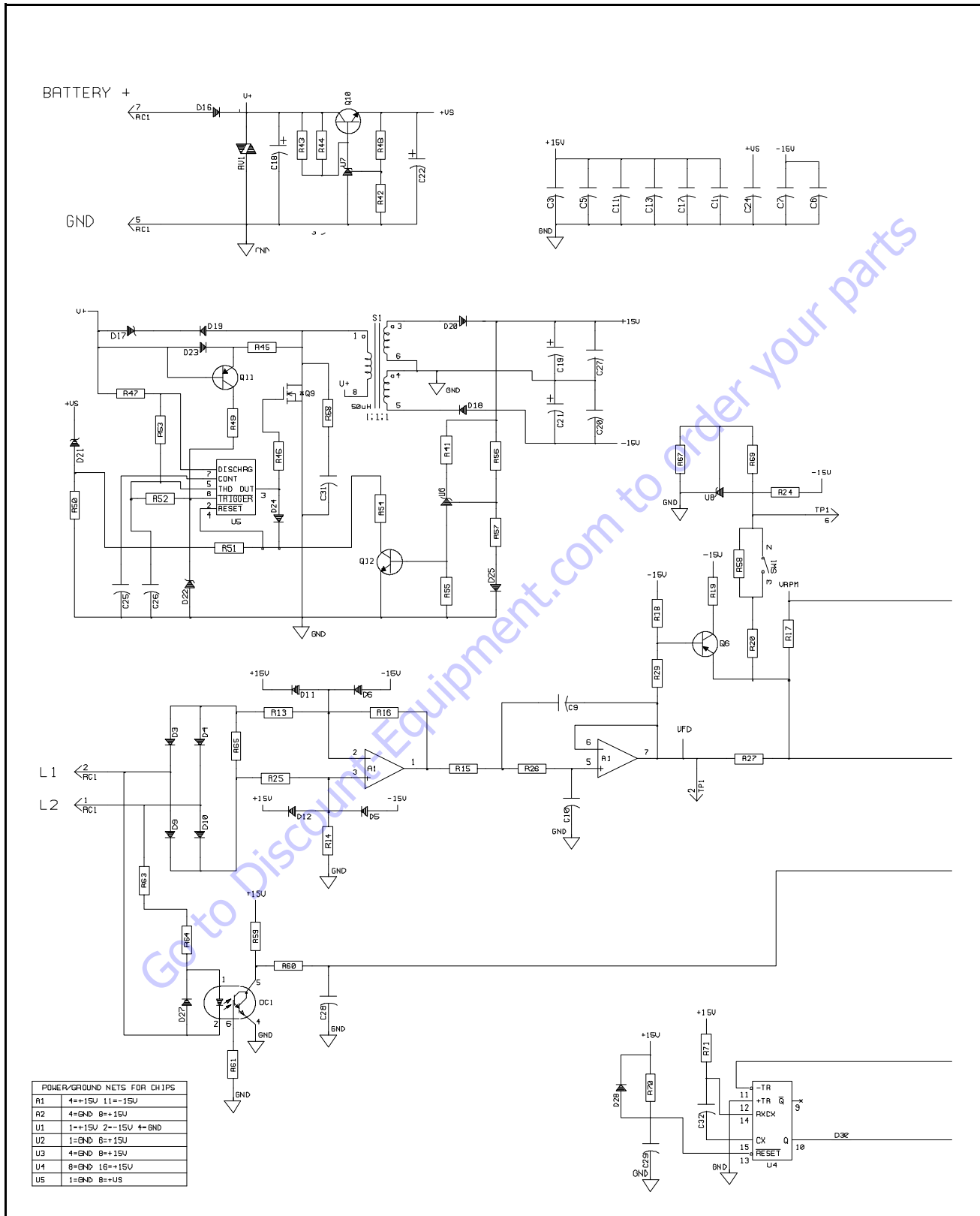


Figure 3-73. Power Board PC2 Electrical Circuit Diagram - Sheet 1 of 2

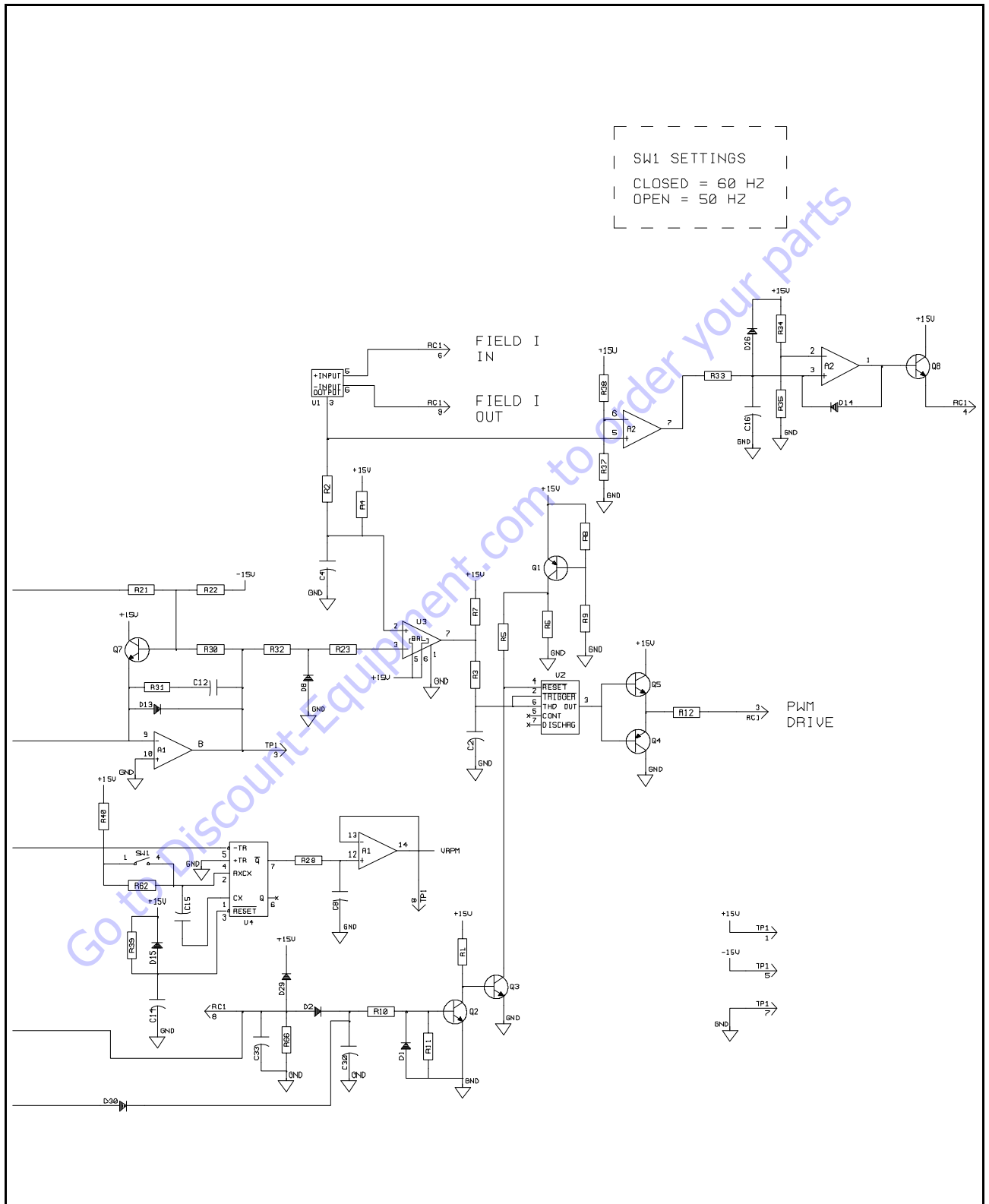


Figure 3-74. Power Board PC2 Electrical Circuit Diagram - Sheet 2 of 2

Lead Connection List for Generator

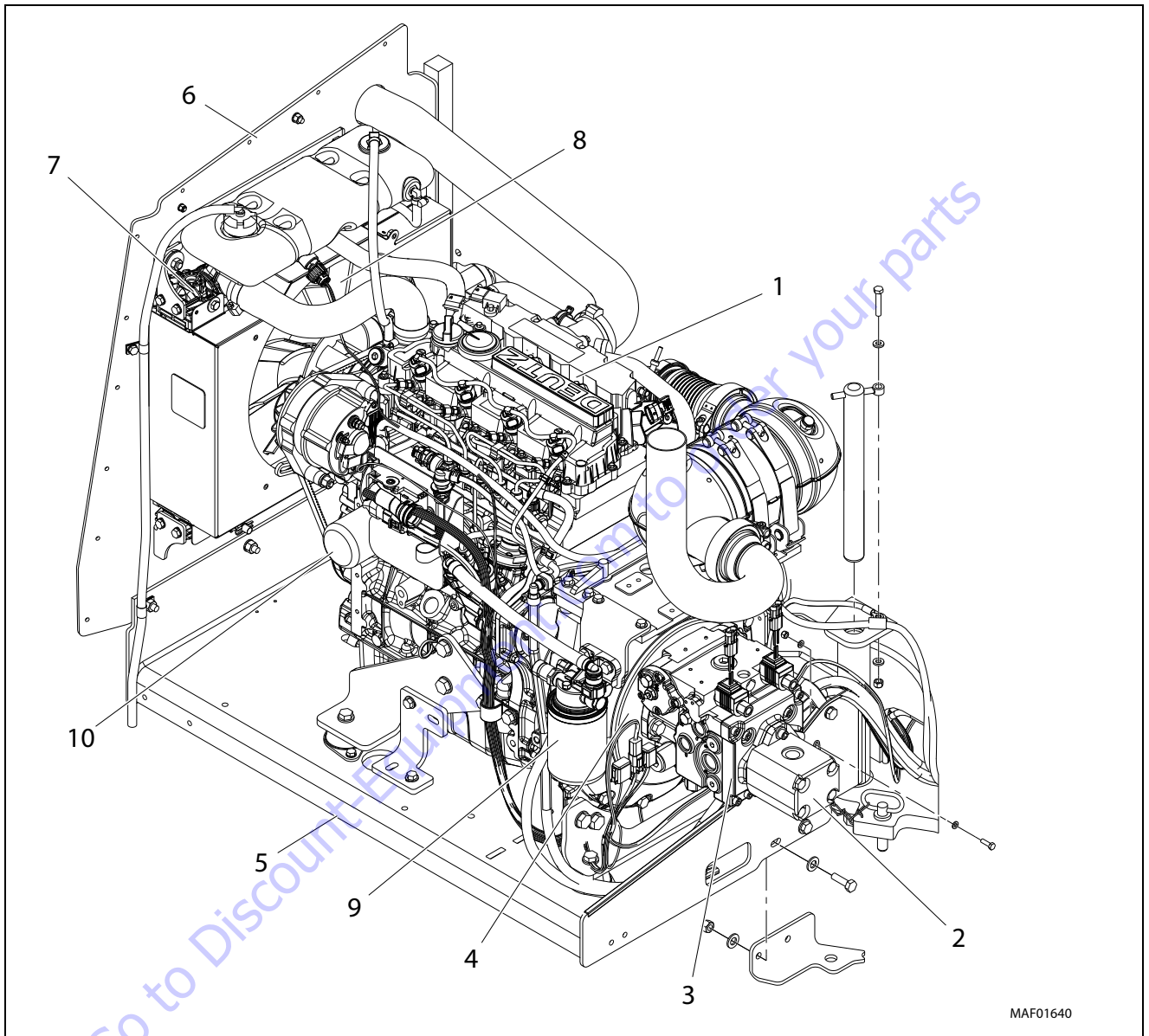
NOTE: Apply small amount of dielectric grade, nonconductive electric grease to connectors where factory-applied grease had been present.

NOTE: Table shows physical lead connections and should be used with circuit diagram (table replaces wiring diagram).

Table 3-14. Lead Connection List for Generator

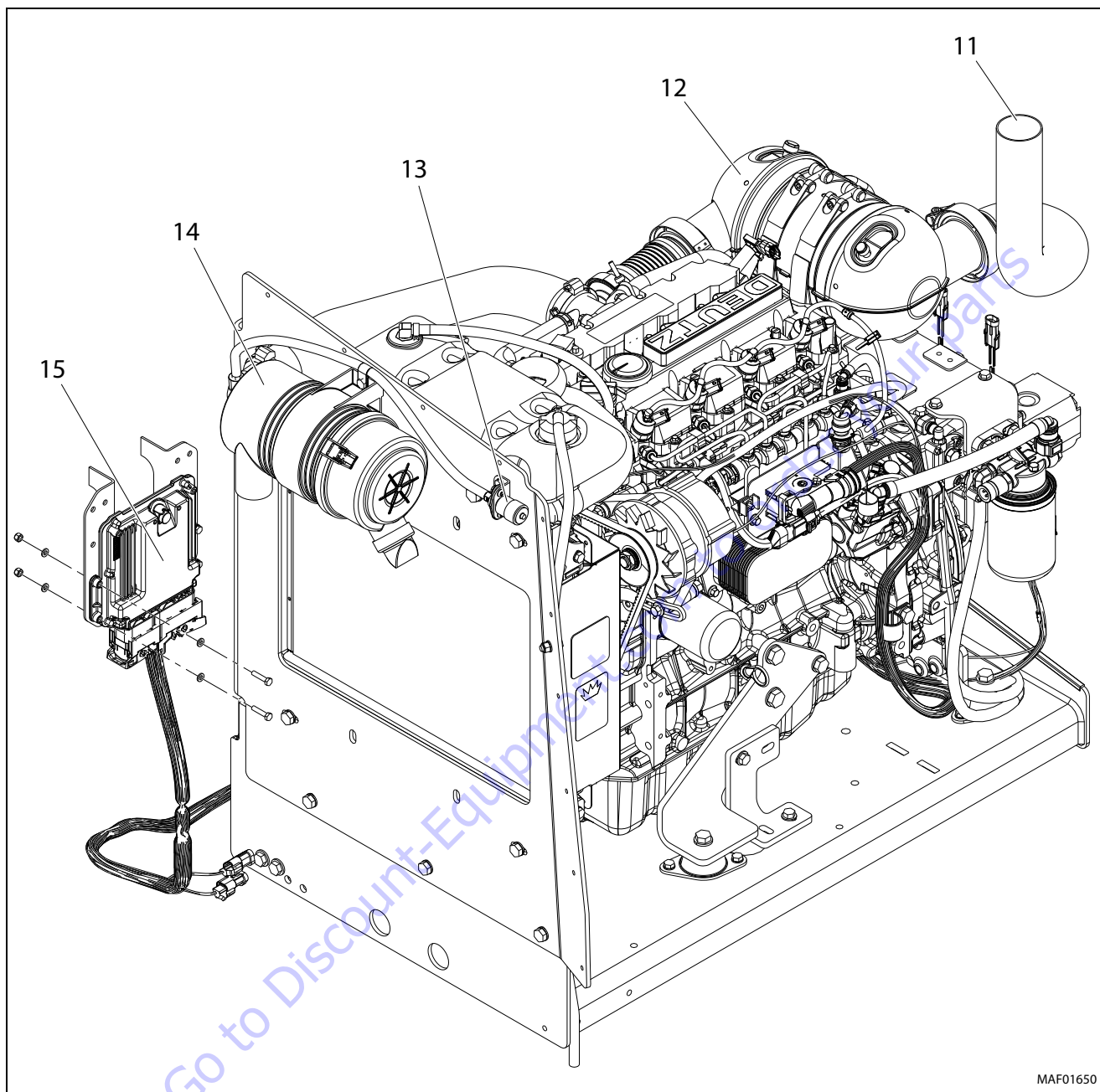
Leads	Connections
1A	STATORTO CB1
2A	STATORTO CB1
3A	STATORTO CB1
4A	STATORTOTE1 (C)
5A	STATORTORC4 (3)
5B	PLG2 (C) TO PLG4 (3)
5C	RC2 (C) PLG31 (8)
6A	STATORTORC4 (4)
6B	PLG2 (D) TO PLG4 (4)
6C	RC2 (D) PLG31 (9)
9A	RC5 (B) TO PLG3 (B) (Customer Supplied)
9B	RC3 (B) PLG1 (8)
12A	PLG2 (E) TO PLG4 (5)
12B	RC2 (E) PLG1 (9)
12C	RC4 (5) TO BRUSH
13A	PLG2 (F) TO PLG4 (6)
13B	RC2 (F) PLG31 (4)
13C	RC4 (6) TO BRUSH
15A	PLG1 (6) TO PLG31 (6)
16A	PLG1 (3) TO PLG31 (1)
17A	PLG1 (4) TO PLG31 (2)
21A	CB1 TO TE1 (F)
21B	PLG2 (A) TO PLG4 (1)
21C	PLG1 (1) TO RC2 (A)
21D	RC4 (1) TO CB1
22A	CB1 TO TE1 (E)
22B	PLG2 (B) TO PLG4 (2)
22C	PLG1 (2) TO RC2 (B)
22D	RC4 (2) TO CB1
23A	CB1 TO TE1 (D)
42A	RC5 (C) TO PLG3 (C) (Customer Supplied)
42B	RC3 (C) TO CONNECTION POINT 1
42C	PLG31 (7) TO CONNECTION POINT 1
42D	PLG1 (5) TO CONNECTION POINT 1
42F	END BELL SHROUD TO ENGINE MOUNT
42G	CHASSIS TO TE1 (B)
43A	RC5 (A) TO PLG3 (A) (Customer Supplied)
43B	RC3 (A) TO CONNECTION POINT 2
43C	PLG31 (3) TO CONNECTION POINT 2
43D	PLG1 (7) TO CONNECTION POINT 2

3.17 DEUTZ ENGINE



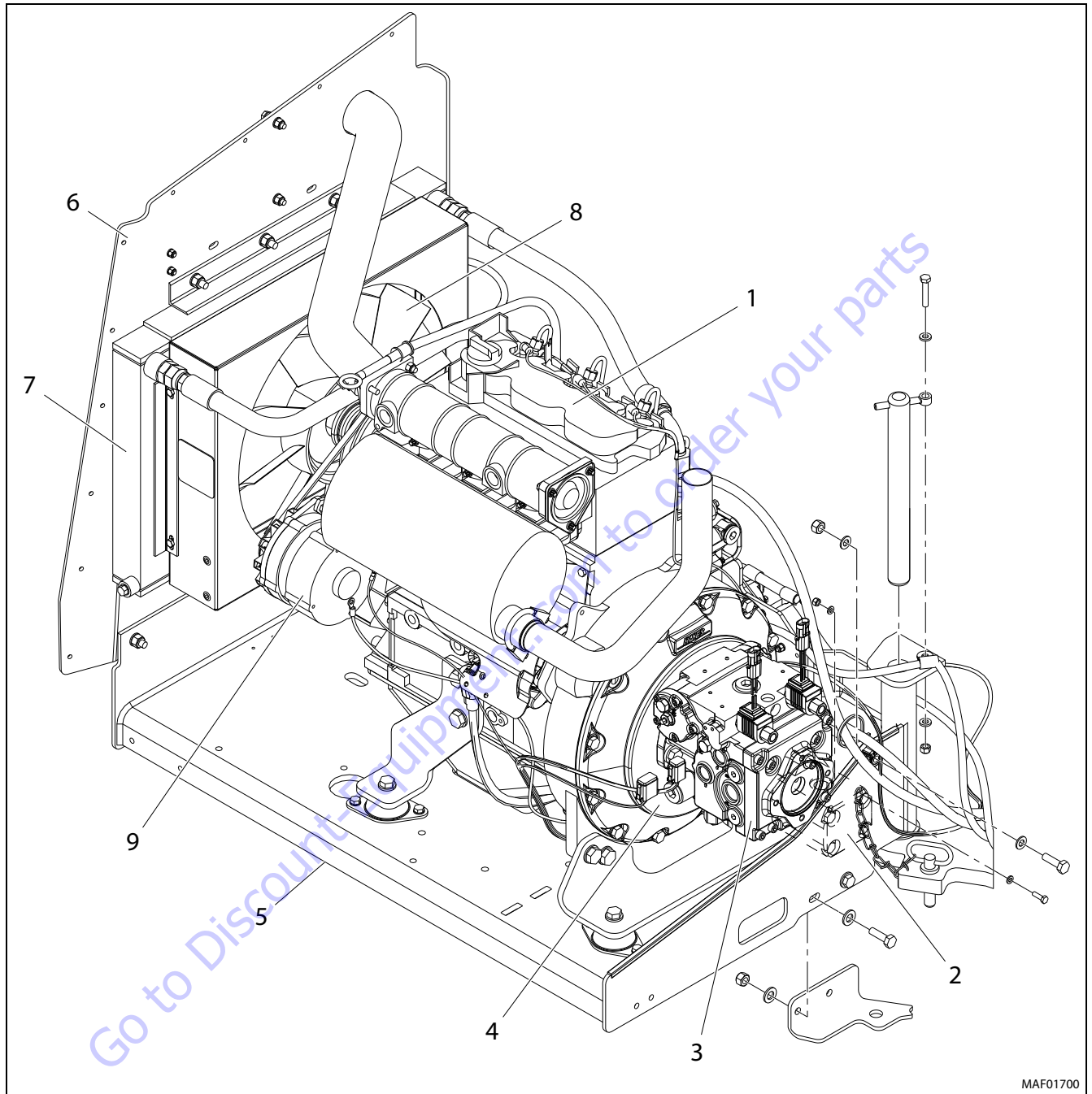
- | | |
|------------------|----------------------|
| 1. Engine | 6. Radiator Mounting |
| 2. Gear Pump | 7. Radiator |
| 3. Piston Pump | 8. Fan |
| 4. Pump Coupling | 9. Fuel Filter |
| 5. Engine Tray | 10. Oil Filter |

Figure 3-75. Deutz D2.9L4 Engine Components - Sheet 1 of 2



- 11. Exhaust Pipe
- 12. DOC (Diesel Oxidation Catalyst)
- 13. Air Intake Indicator
- 14. Air Filter
- 15. ECU module

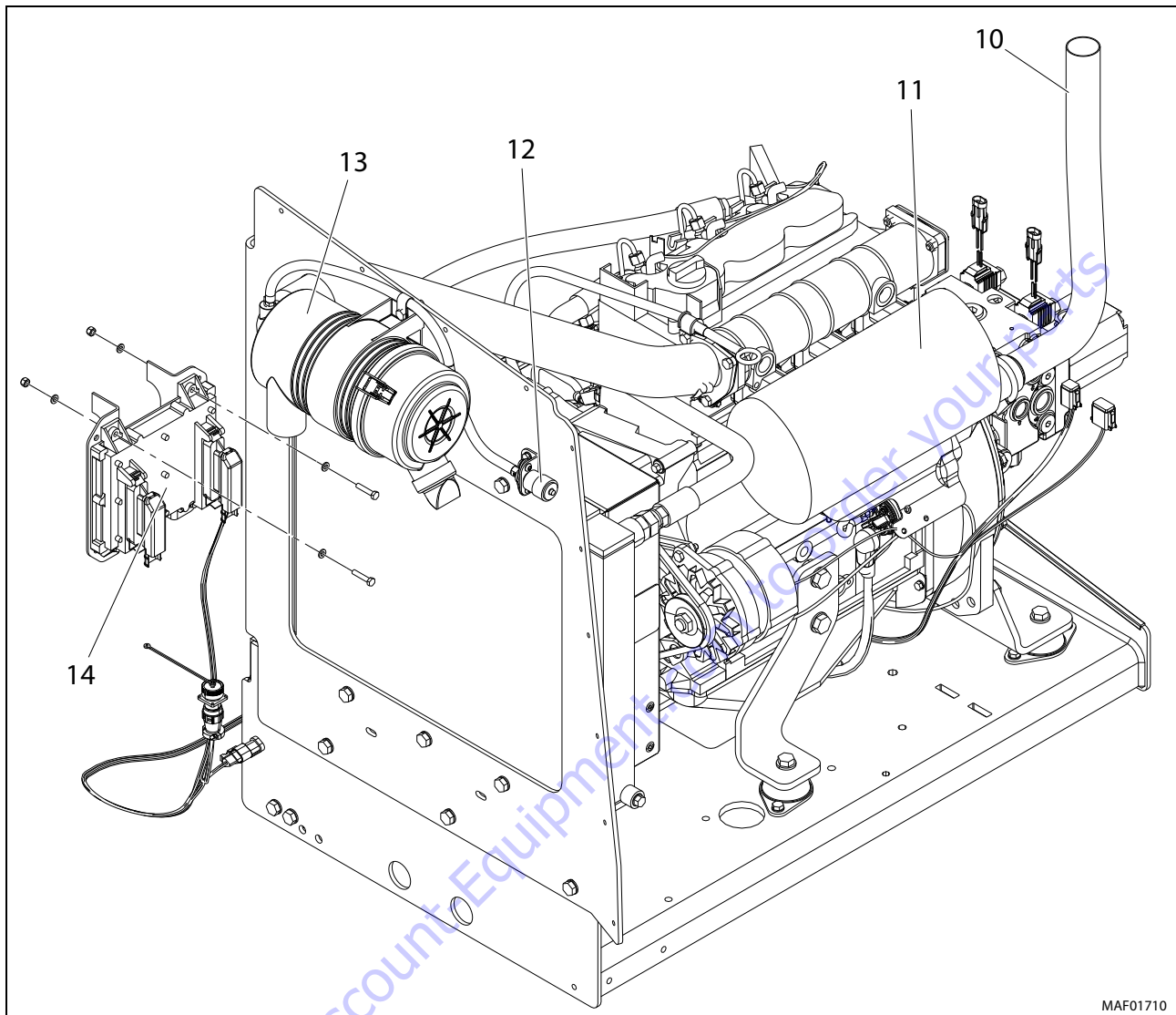
Figure 3-76. Deutz D2.9L4 Engine Components - Sheet 2 of 2



MAF01700

- | | |
|------------------|-------------------------|
| 1. Engine | 6. Radiator Mount Plate |
| 2. Gear Pump | 7. Oil Cooler |
| 3. Piston Pump | 8. Fan |
| 4. Pump Coupling | 9. Alternator |
| 5. Engine Tray | |

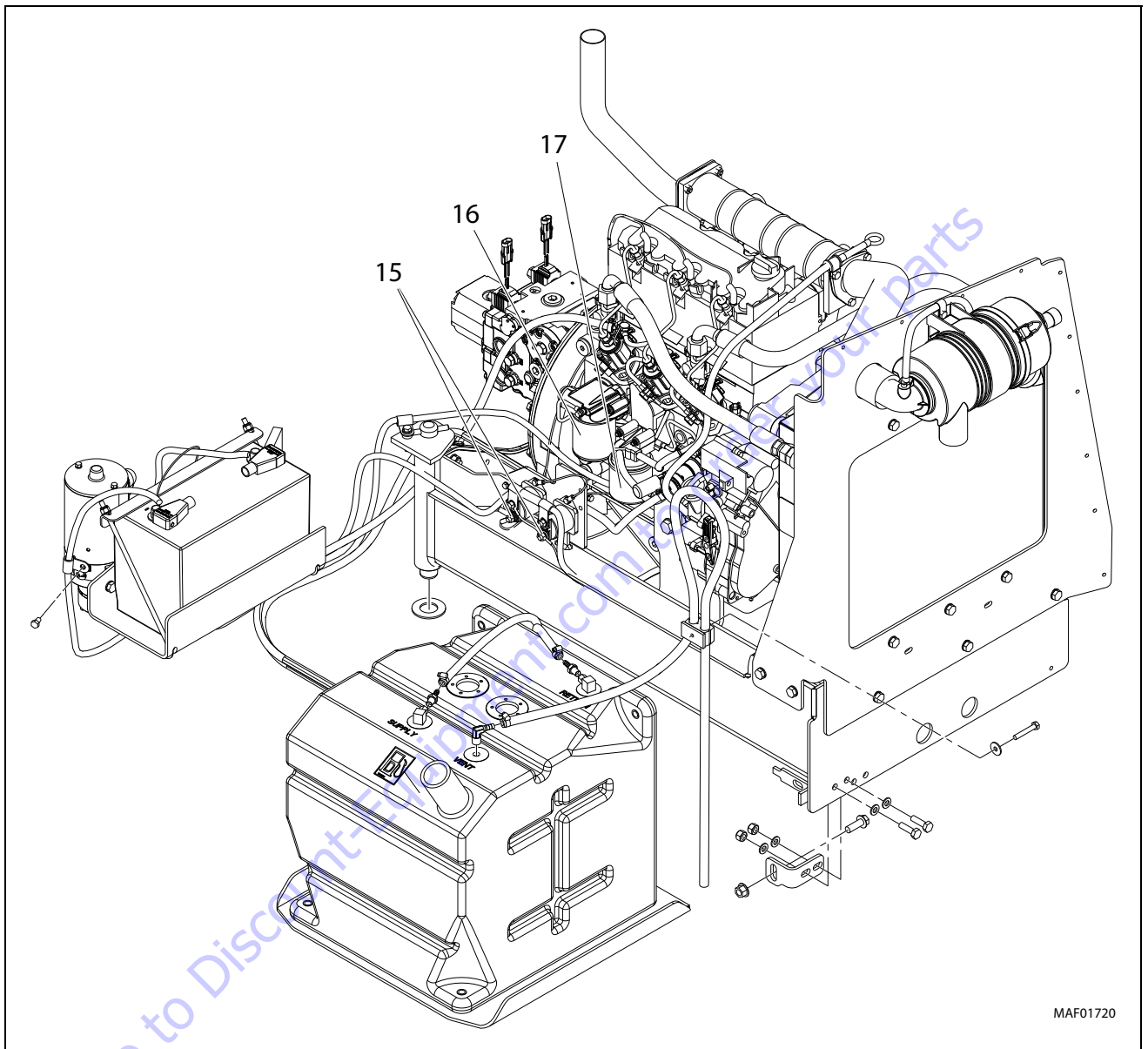
Figure 3-77. Deutz D2011 Engine Components - Sheet 1 of 3



MAF01710

- 10. Exhaust Pipe
- 11. Muffler
- 12. Air Intake Restriction Indicator
- 13. Air Filter
- 14. ECU Module

Figure 3-78. Deutz D2011 Engine Components - Sheet 2 of 3

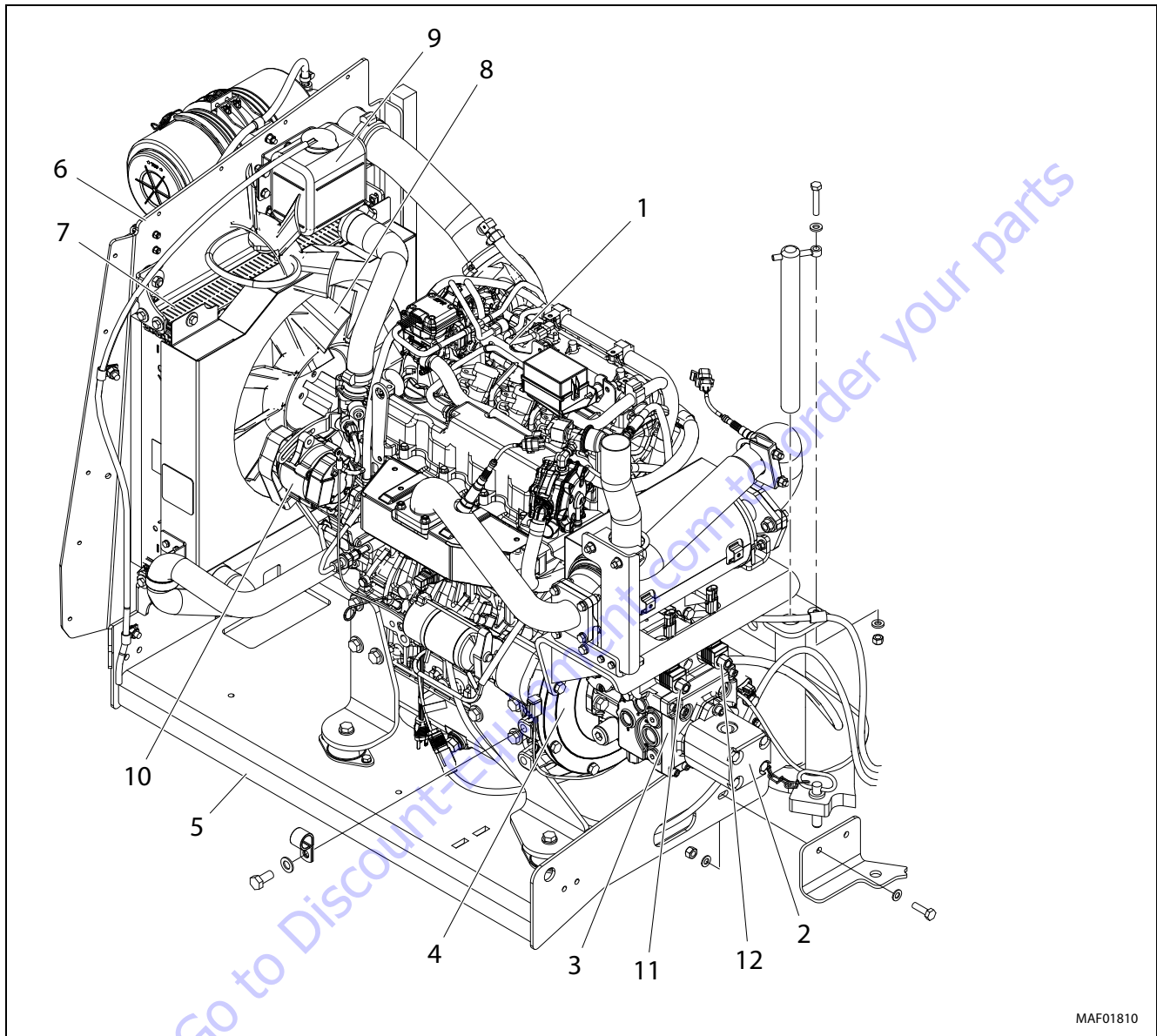


15. RelayAssembly
16. Oil Filter

17. FuelFilter

Figure 3-79. Deutz D2011 Engine Components - Sheet 3 of 3

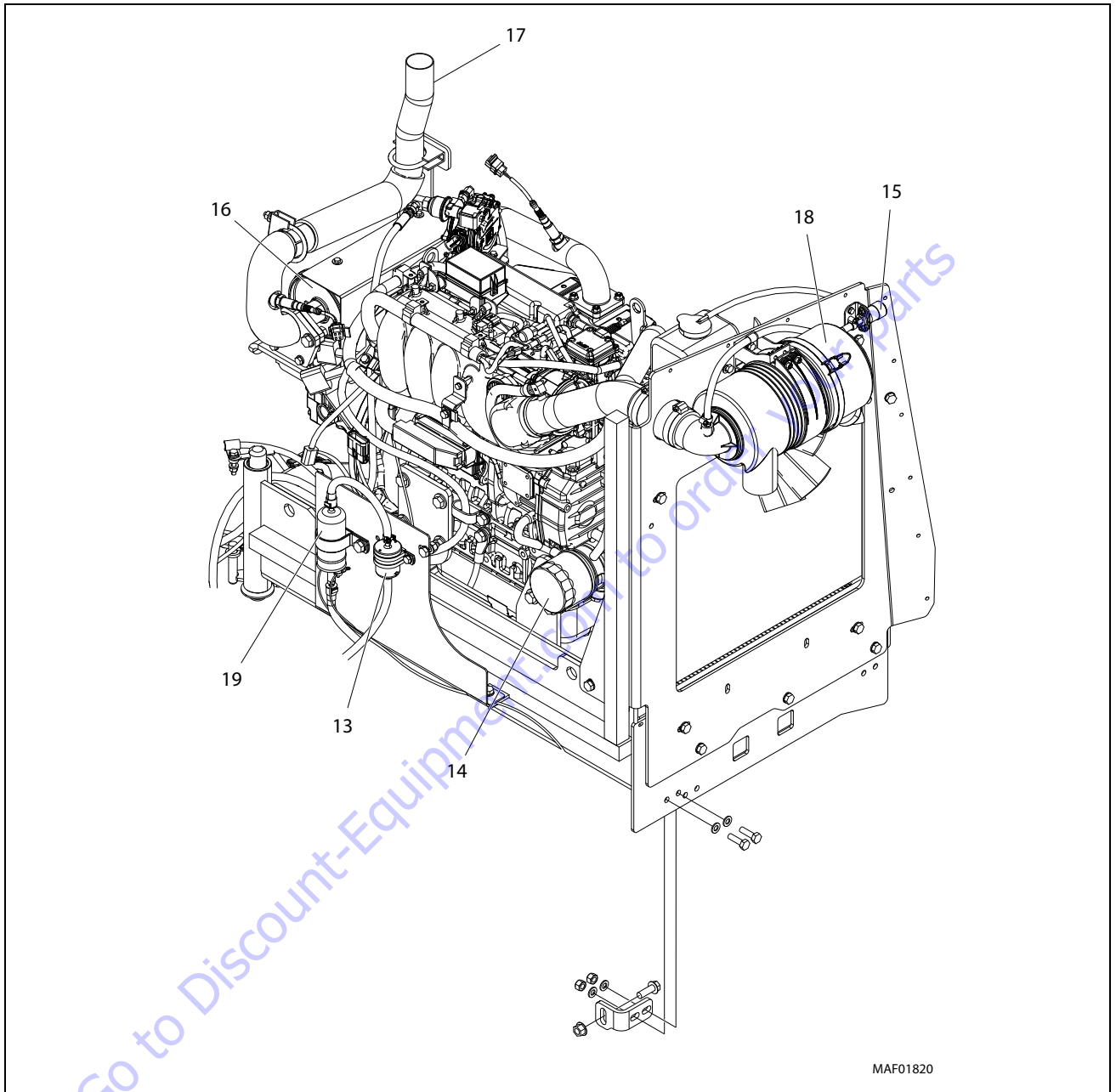
3.18 KUBOTA ENGINE



MAF01810

- | | | |
|------------------|----------------------|-------------------------------|
| 1. Engine | 5. Engine Tray | 9. Coolant Overflow Container |
| 2. Gear Pump | 6. Radiator Mounting | 10. Alternator |
| 3. Piston Pump | 7. Radiator | 11. Forward Solenoid |
| 4. Pump Coupling | 8. Fan | 12. Reverse Solenoid |

Figure 3-80. Kubota Engine Components - Sheet 1 of 2



- | | |
|--------------------------|------------------|
| 13. Fuel Filter | 17. Exhaust Pipe |
| 14. Oil Filter | 18. Air Filter |
| 15. Air Intake Indicator | 19. Fuel Pump |
| 16. Muffler | |

Figure 3-81. Kubota Engine Components - Sheet 2 of 2

3.19 DEUTZ ENGINE - D2.9L4

NOTE: Refer to engine manufacturer's manual for detailed operating and maintenance instructions. Limited engine maintenance items are presented here for convenience but detailed engine maintenance items and schedule are included in the engine manufacturer's manual.

Glow Plugs

If the glow plug option is enabled in the JLG Control System, the glow plug and indicator lamp will be energized when the Power/Emergency Stop switch is pulled on if the ambient air temperature is less than 50° F (10° C) and the engine coolant temperature is less than 140° F (60° C). This determination will occur one second after the Power/Emergency Stop switch has been pulled on. The lamp and glow plugs will remain energized for the period of time specified by the setting in the JLG Control System. Engine start shall be disabled during this period. On Deutz engines, the glow plugs will continue (post glow) after the engine has started for three times the machine digit setting.

Check Oil Level

1. Make sure machine and engine are level and switch engine OFF before checking oil level.
2. Remove oil dipstick and wipe with clean cloth.
3. Insert dipstick to the stop and remove again.
4. Check oil level. Top oil level as shown in figure below with an approved grade and type of oil outlined in engine manufacturer's operator's manual.
5. Replace dipstick until fully seated.

Replacing Engine Oil

1. Allow engine to warm up. Engine oil should reach approximately 176° F (80° C).
2. Make sure machine and engine are level.
3. Switch off engine.
4. Place oil tray under engine.

CAUTION

HOT ENGINE OIL CAN CAUSE BURNS. AVOID CONTACT WITH HOT OIL WHEN DRAINING.

NOTICE

COLLECT USED OIL IN A CONTAINER SUITABLE FOR DISPOSAL OR RECYCLING. DISPOSE OF USED ENGINE OIL IN ACCORDANCE WITH ENVIRONMENTAL REGULATIONS.

5. Open oil drain valve and drain oil.
6. Close oil drain valve.
7. Pour in new engine oil. Refer to Section 1 for capacity and Figure 3-82., Engine Oil Viscosity.

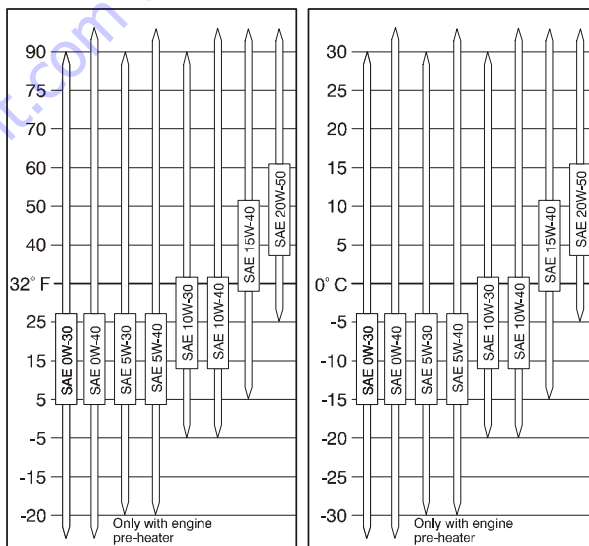
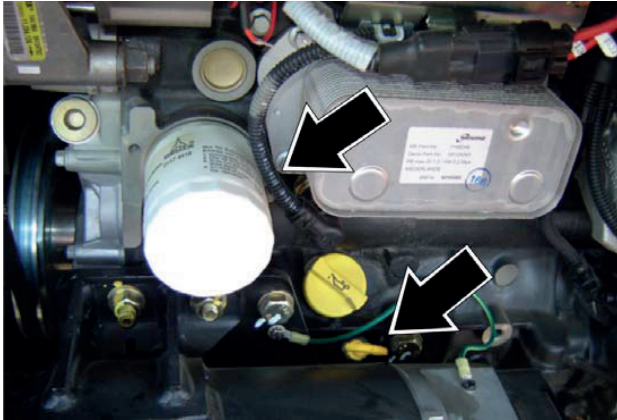


Figure 3-82. Engine Oil Viscosity

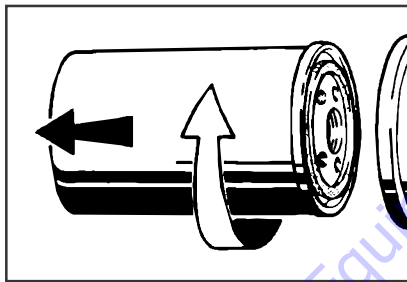
Replacing the Oil Filter



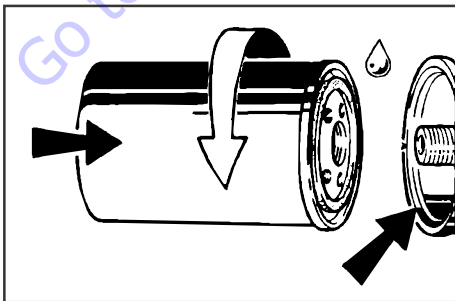
MAF01190

Figure 3-83. Location of the Oil Filter

1. Wipe area around filter to clean any dirt from area.
2. Using a suitable oil filter removal tool, loosen lube oil filter element and spin off.



3. Catch any escaping oil.
4. Clean any dirt from filter carrier sealing surface.
5. Lightly coat new oil filter rubber gasket with clean oil.
6. Screw in new filter by hand until gasket is flush.
7. Hand-tighten filter another half-turn.



8. Check oil level.
9. Check oil pressure.
10. Check oil filter cartridge for leaks.

Replacing the Fuel Filters

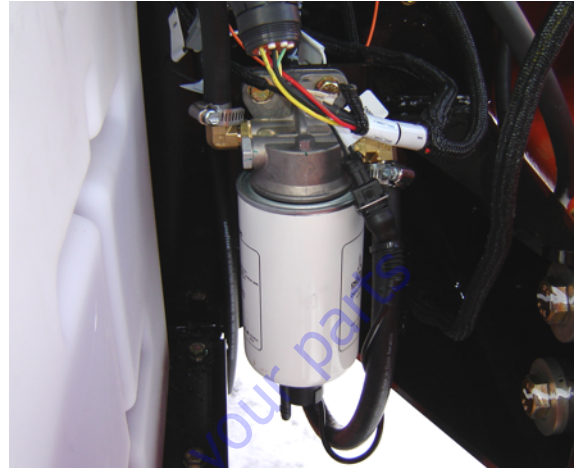


Figure 3-84. Location of the Fuel Pre-Filter



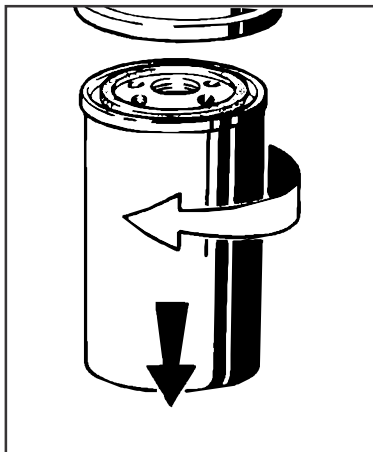
Figure 3-85. Location of the Fuel Filter

⚠ WARNING

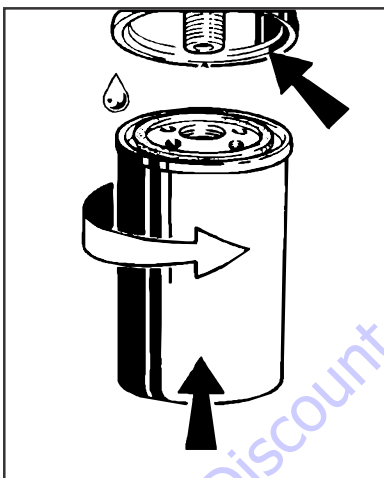
FUEL IS FLAMMABLE AND CAN CAUSE DEATH OR SERIOUS INJURY. MAKE SURE NO OPEN FLAMES OR SPARKS ARE IN THE AREA WHEN WORKING ON FUEL SYSTEM. DO NOT SMOKE WHEN WORKING ON THE FUEL SYSTEMS.

1. Wipe area around filter to clean any dirt from area.
2. Fuel supply from the fuel tank may need to be blocked to prevent flow from the fuel tank.
3. Remove fuel filter cartridge.

- Catch any escaping fuel.



- Clean dirt from filter carrier sealing surface.
- Apply light film of oil or diesel fuel to rubber gasket of new filter cartridge.
- Screw in new filter by hand until gasket is flush. Hand-tighten filter another 3/4 turn.



- Check for leaks.

3.20 DEUTZ ENGINE - D2011

NOTE: Refer to engine manufacturer's manual for detailed operating and maintenance instructions. Limited engine maintenance items are presented here for convenience but detailed engine maintenance items and schedule are included in the engine manufacturer's manual.

Glow Plugs

If the glow plug option is enabled in the JLG Control System, the glow plug and indicator lamp will be energized when the Power/Emergency Stop switch is pulled on if the ambient air temperature is less than 50° F (10° C) and the engine coolant temperature is less than 140° F (60° C). This determination will occur one second after the Power/Emergency Stop switch has been pulled on. The lamp and glow plugs will remain energized for the period of time specified by the setting in the JLG Control System. Engine start shall be disabled during this period. On Deutz engines, the glow plugs will continue (post glow) after the engine has started for three times the machine digit setting.

Check Oil Level

- Switch the engine off before checking oil level.
- Make sure the machine and engine are level.
- Remove the oil dipstick.
- Wipe the dipstick with non-fibrous, clean cloth.

5. Insert the dipstick to the stop and remove again. Check the oil level, and if necessary, top the oil level up to the MAX mark with an approved grade and type of oil as outlined in the engine manufacturer's operator's manual. Refer to Figure 3-86., Deutz Engine Dipstick.

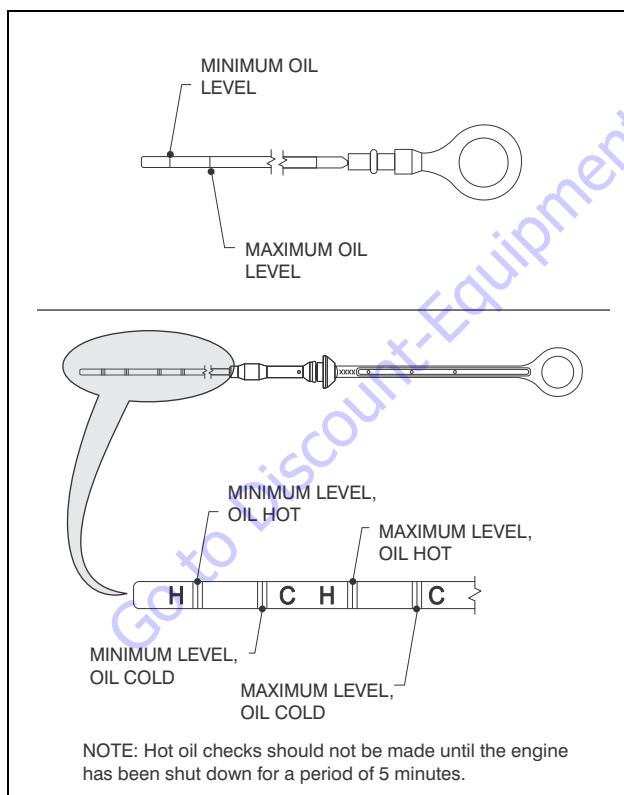


Figure 3-86. Deutz Engine Dipstick

6. Replace the dipstick making sure that it is fully seated in the dipstick tube to seal off the crankcase.

Replacing Engine Oil

1. Allow the engine to warm up. The engine oil should reach approximately 176° F (80° C).
2. Make sure the machine and engine are level.
3. Switch off the engine.
4. Place an oil tray under the engine.

CAUTION

HOT ENGINE OIL CAN CAUSE BURNS, AVOID CONTACT WITH HOT OIL WHEN DRAINING.

NOTICE

COLLECT USED OIL IN A CONTAINER SUITABLE FOR DISPOSAL OR RECYCLING. DISPOSE OF USED ENGINE OIL IN ACCORDANCE WITH ENVIRONMENTAL REGULATIONS.



5. Open the oil drain valve.
6. Drain the oil.
7. Close the oil drain valve.

8. Pour in new engine oil. Refer to Section 1 for capacity and refer to Figure 3-87., Engine Oil Viscosity for the proper grade.

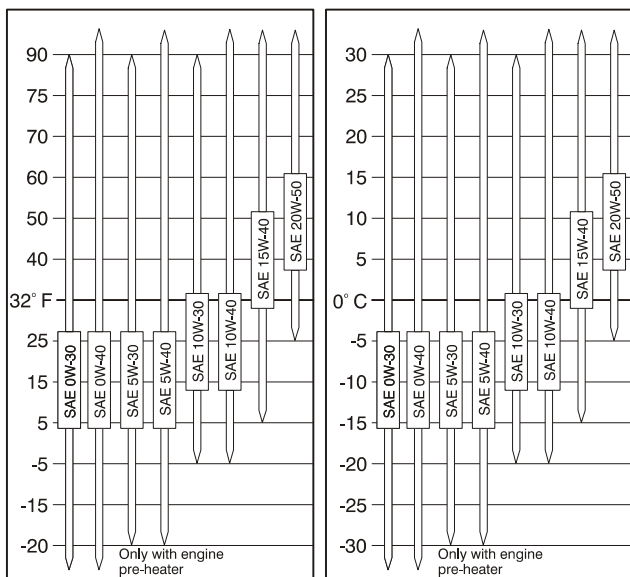
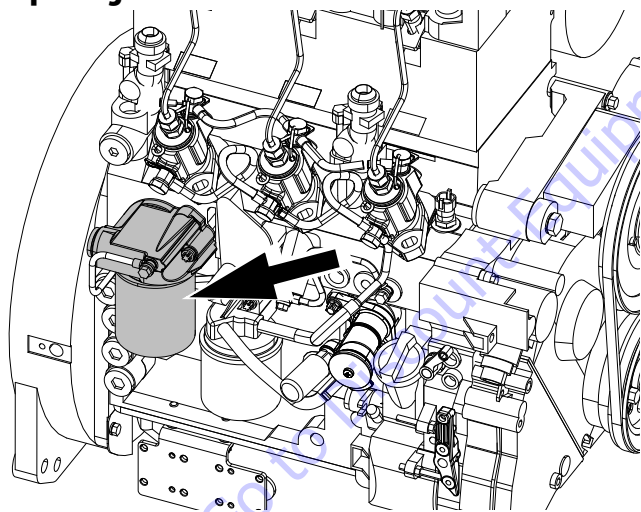


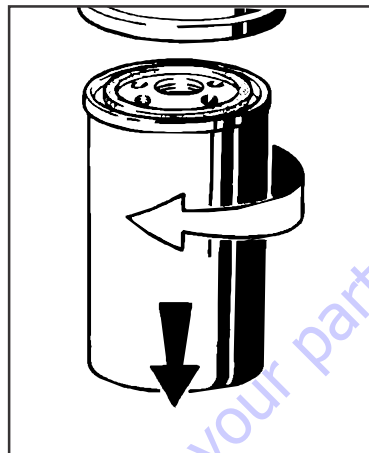
Figure 3-87. Engine Oil Viscosity

Replacing the Oil Filter

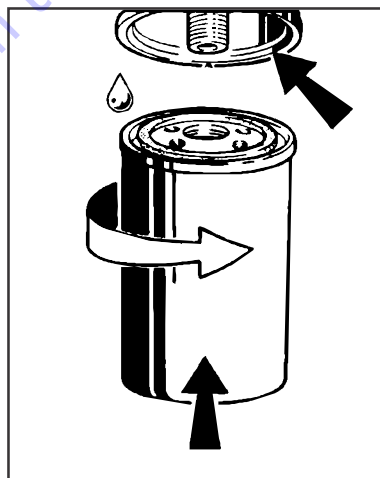


1. Wipe the area around the filter to clean any dirt from the area.

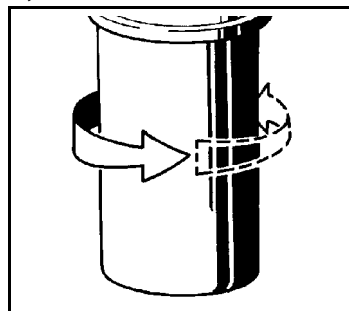
2. Using a suitable oil filter removal tool, loosen lube oil filter element and spin off.



3. Catch any escaping oil.
4. Clean any dirt from filter carrier sealing surface.
5. Lightly coat new oil filter rubber gasket with clean oil.



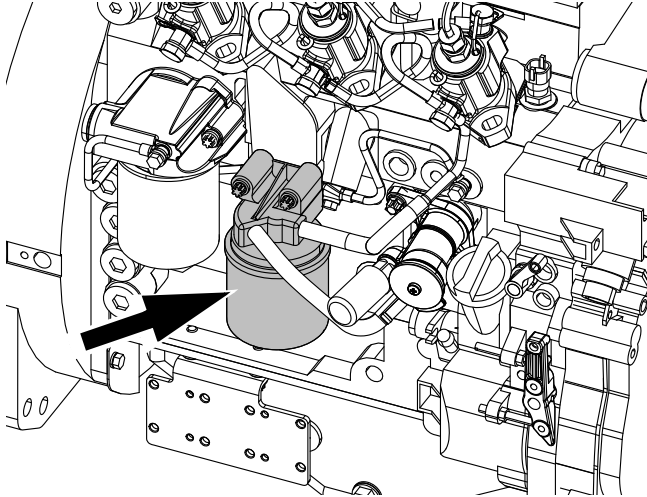
6. Manually screw in the new filter until the gasket is flush.



7. Hand-tighten filter another half-turn.
8. Check oil level.
9. Check oil pressure.

10. Check the oil filter cartridge and make sure there are no leaks.

Replacing the Fuel Filter



⚠ WARNING

FUEL IS FLAMMABLE AND CAN CAUSE DEATH OR SERIOUS INJURY. MAKE SURE NO OPEN FLAMES OR SPARKS ARE IN THE AREA WHEN WORKING ON FUEL SYSTEM. DO NOT SMOKE WHEN WORKING ON THE FUEL SYSTEMS.

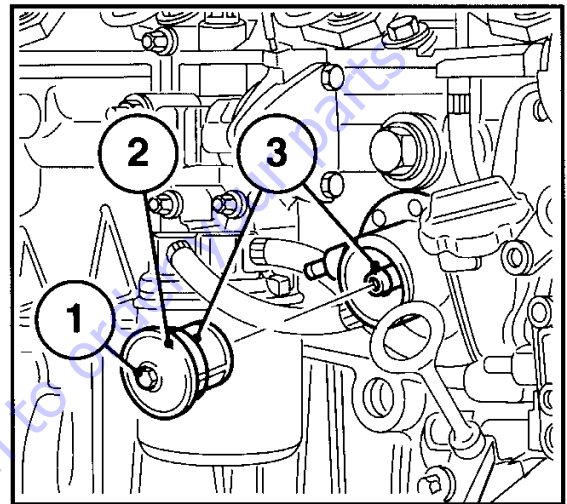
1. Wipe the area around the filter to clean any dirt from the area.
2. Fuel supply from the fuel tank may need to be blocked to prevent fuel flow from the tank.
3. Undo the fuel filter cartridge and spin off.
4. Catch any escaping fuel.
5. Clean any dirt from the filter carrier sealing surface.
6. Apply a light film of oil or diesel fuel to the rubber gasket of the new filter cartridge.
7. Manually screw in the new filter until the gasket is flush.
8. Tighten the fuel filter cartridge with a final half-turn.
9. Check for leaks.

Clean Fuel Strainer

⚠ WARNING

FUEL IS FLAMMABLE AND CAN CAUSE DEATH OR SERIOUS INJURY. MAKE SURE NO OPEN FLAMES OR SPARKS ARE IN THE AREA WHEN WORKING ON FUEL SYSTEM. DO NOT SMOKE WHEN WORKING ON FUEL SYSTEM.

1. Unscrew hexagonal nut (1).



2. Remove fuel strainer cover (2).
3. Clean fuel strainer with diesel fuel and replace as needed.
4. Place seal (3) in position.
5. Install fuel strainer cover (2). Tighten screw (1).
6. Check for leaks.

3.21 DEUTZ EMR 2

The EMR2 consists of the sensors, the control unit and the actuator. Engine-side controls as well as the JLG Control System are connected by means of separate cable harnesses to the EMR control unit.

The sensors attached to the engine provide the electronics in the control unit with all the relevant physical parameters. In accordance with the information of the current condition of the engine and the preconditions (throttle position etc.), the EMR2 controls an actuator that operates the control rod of the injection pump and thus doses the fuel quantity in accordance with the performance requirements.

The exact position of the regulating rod is reported back and, if necessary, is corrected, by means of the control rod travel sensor, situated together with the rotation magnets in a housing of the actuator.

The EMR2 is equipped with safety devices and measures in the hardware and software in order to ensure emergency running (Limp home) functions.

In order to switch the engine off, the EMR2 is switched in a de-energized fashion over the ignition switch. A strong spring in the actuator presses the control rod in the de-energized condition into the zero position. As a redundancy measure, an additional solenoid serves for switching off and this, independently of the actuator, also moves the control rod in the de-energized condition into the zero position.

After the programming, that is carried out over the ISO9141 interface, the EMR2 possesses a motor-specific data set and this is then fixedly assigned to the engine. Included in this are the various application cases as well as the customer's wishes regarding a particular scope of function.

Each EMR2 module is matched by serial number to the engine. Modules cannot be swapped between engines.

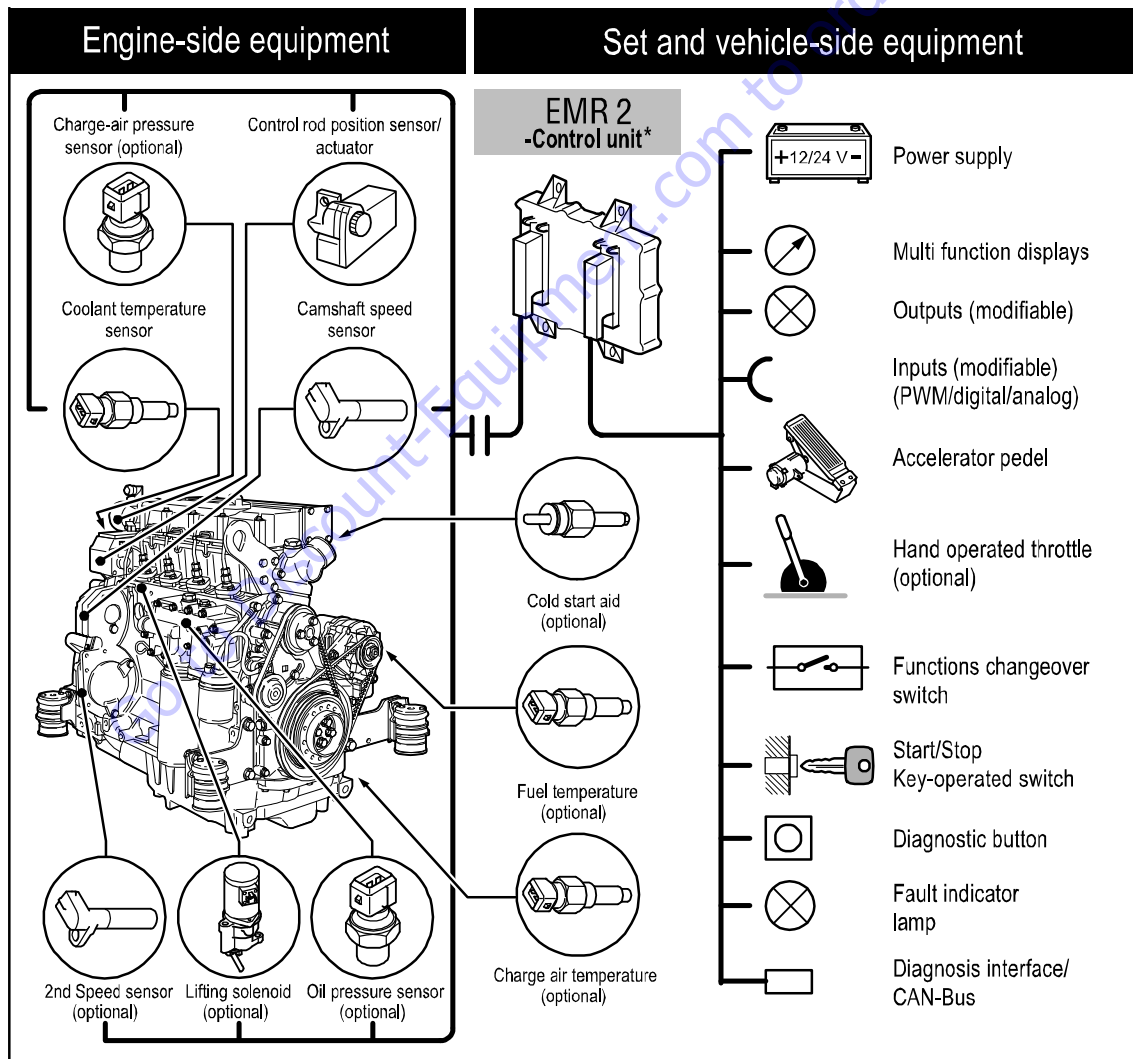


Figure 3-88. EMR 2 Engine Side Equipment

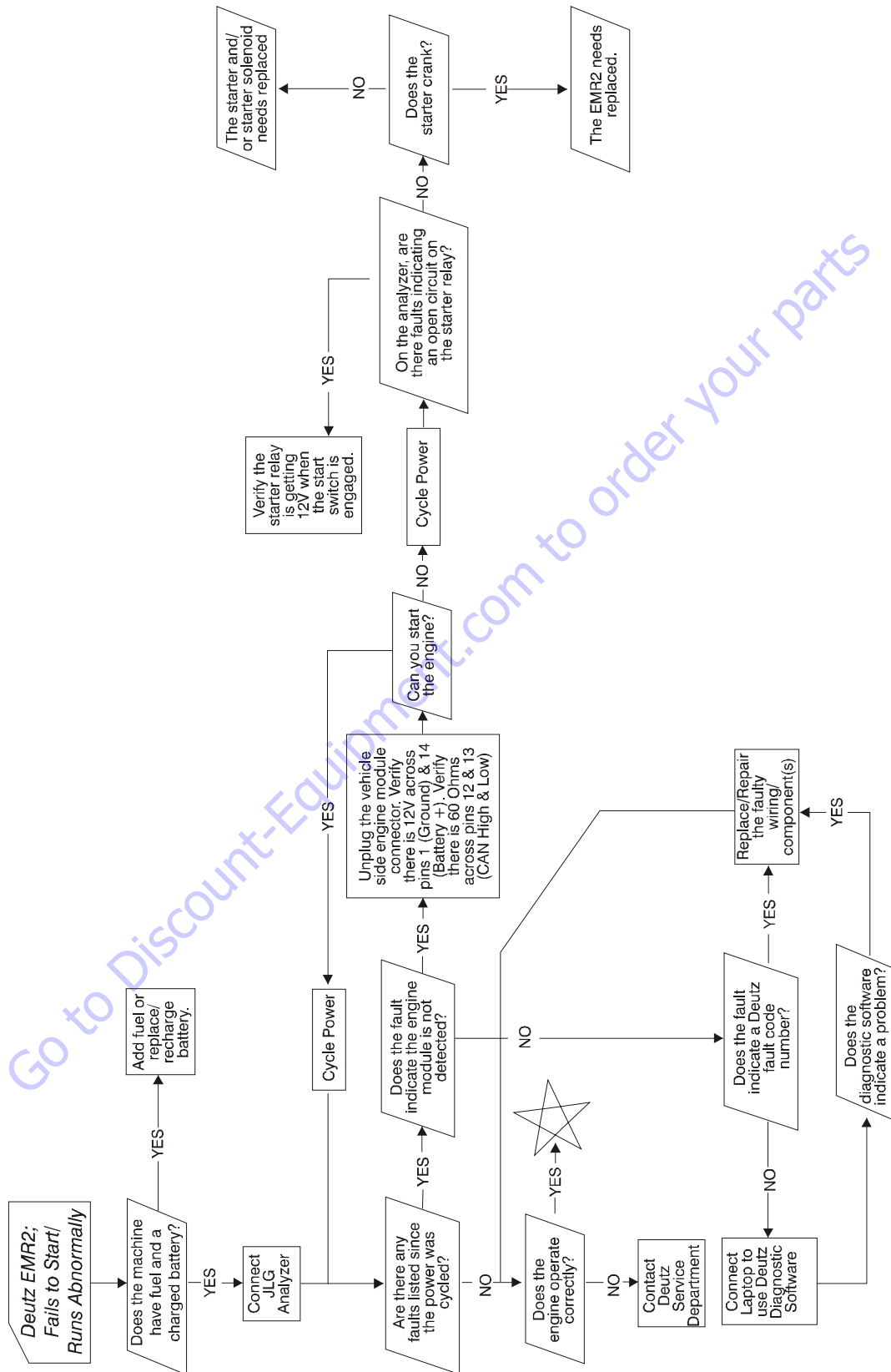


Figure 3-89. Deutz EMR 2 Troubleshooting Flow Chart

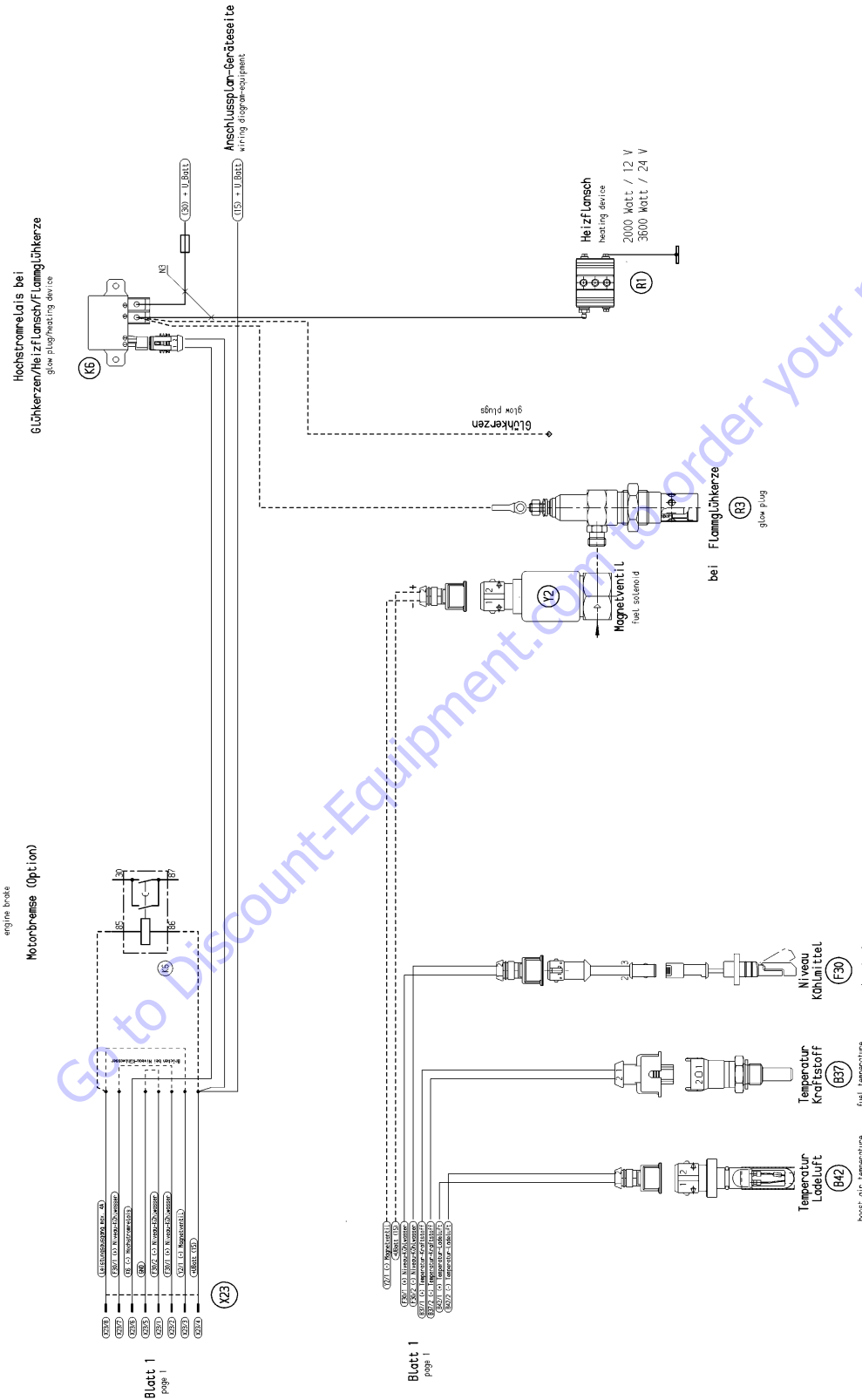
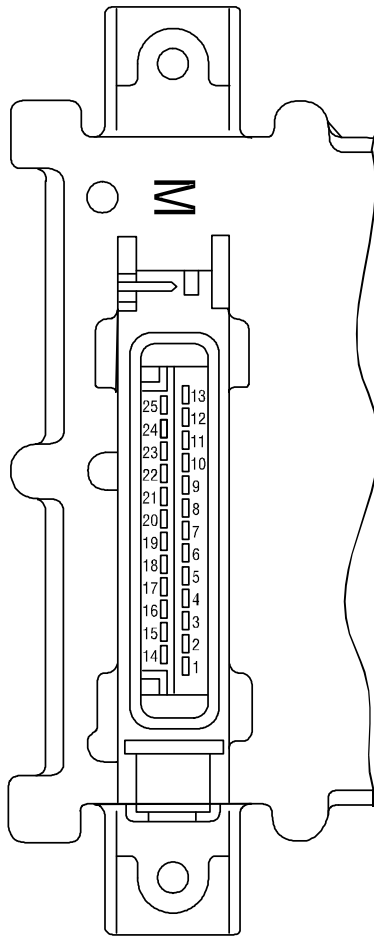


Figure 3-92. Deutz EMR 2 Engine Side Connection Diagram - Sheet 2 of 2

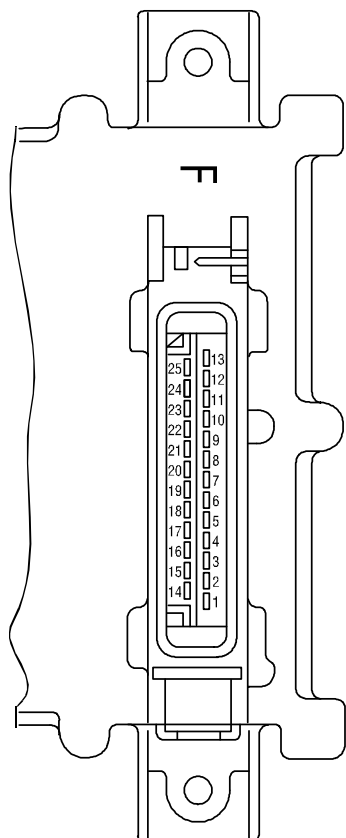


Pin No.	Designation	Description
1	Reserve	Reserve
2	Output: digital 3	Digital output for solenoid ¹⁾
3	Output: digital 4	For heating flange (optional)/ glow plug (optional)
4	Input (optional) Temp 1	Fuel temperature ²⁾
5	Input (optional) Temp 2	Charge air temperature
6	Input (optional) DigIn 5	Coolant level / oil level
7	Output: PWM2/digital 6	
8	GND	Reference potential for analog signal at pin 9
9	Input: analog 7	Analog input for Coolant temperature sensor (NTC)
10	GND	Reference potential for analog signal at pin 11
11	Multi-function input: speed 2/DigIn 2	Digital input second engine speed (crankshaft) (optional) and speed signal (optional)
12	GND	Reference potential for analog signal at pin 13
13	Input: speed 1	Digital input first engine speed (camshaft)
14	STG -	PWM output, signal for actuator coil
15	STG +	PWM output, signal for actuator coil
16	Screen	Screening regulating rod travel sensor (for lines 17, 18, 19)
17	RF -	General connection for reference and measuring coil
18	RF REF	Analog input, reference signal of the reference coil
19	RF MESS	Analog input, measuring signal of the measuring coil
20	GND	Reference potential for signal at pin 21
21	Input: analog 4/digital 9	Analog input 4 (sensor signal oil pressure sensor) or digital input 9
22	+5 V REF	+5 V Reference voltage for signal at pin 21 (max. 15 mA)
23	GND	Reference potential for signal at pin 24
24	Input: analog 2/digital 7	Analog input 2 (sensor signal charge air) or digital input 7
25	+5 V LDA	+5 V Reference potential for signal at pin 24 (max. 15 mA)

1) For continuous power: < 4 A

2) Corresponds to special function "fuel temperature compensation at the EMR (0211 2571)

Figure 3-93. EMR 2 Engine Plug Pin Identification



Pin-No.	Designation	Description
1	U Batt -	Negative pole at battery (clamp 31)
2	GND	Reference potential for signal
3	Output: digital 2	PWM or digital output, various functions
4	Input / output: DigInOut	Fault lamp and diagnostic button
5	Output: PWM 1/Dig 1	PWM or digital output, various functions
6	Multi-function input: DigIn 3	Genset applications/gear shift/motor brake
7	Input: digital 10/velocity	Speed signal (tacho input)
8	NC	Not occupied
9	NC	Not occupied
10	L-line	Serial ISO 9141 interface
11	K-line	Serial ISO 9141 interface
12	CAN high	Interface for CAN-Bus
13	CAN low	Interface for CAN-Bus
14	U Batt +	Positive pole for battery (clamp 15)
15	Output: digital 5	Digital output, various functions
16	Output: digital 7/Frequency	Frequency, PWM or digital output, various functions
17	Ground	Reference potential for signal at pins 18, 19 and 21
18	Input: digital 1 / PWM 1	PWM 1 or digital input 1, various functions
19	Multi-function input: DigIn 4	Performance curve switching/genset applications
20	Multi-function input: digital 8 / analog 3	Hand hand throttle/genset applications, Digital (8) or analog input (3)
21	Input: digital 2 / PWM 2	PWM 2 or digital input 2, various functions
22	Screen	Screening (e.g. for lines hand throttle or PWG)
23	GND	Reference potential for signal at pin 24
24	Input: analog 1 / digital 6	Analog input 1 (pedal value sensor, PWG) or digital input 6
25	+5 V REF	+5 V Reference voltage for signal at pin 24

Figure 3-94. EMR 2 Vehicle Plug Pin Identification

Fault group	Fault no. (in SERDIA)	Fault locality/ Fault description	SPN	FMI	Cause	Remarks	Help
Zero error display	-	No faults	524287	31	No active faults present		
Revolutions / speed acquisition	01	Speed sensor 1	190	8	Sensor failure. Distance from gear too far. Additional fault impulses. Cable joint interrupted.	Governor in emergency operation (if sensor 2 available). Emergency switch-off (if sensor 2 not available or failed). Governor in emergency operation (with sensor 1) Emergency switch-off (if sensor 1 not available or failed).	Check distance. Check cable connection. Check sensor and replace if required.
	03	Speed sensor	84	8	Tacho failed. Additional fault impulses. Cable connection interrupted.	Governor in emergency operation.	Check cable connection and Tacho. Replace if required.
	04	Excess speed switch-off	190	0	Speed was/is in excess of limit.e. Check PID setting. Check rods. Check actuator and replace if required. Check cable to actuator (impulse on incorrect speed). Check No. of teeth. For vehicles check for possible thrust mode.	Engine stop.	Check parameter (21). Check speed settings.
	07	Charge air pressure	102	2			
Sensors	08	Oil pressure	100	2			
	09	Coolant temperature	110	2	Fault at corresponding sensor entry (e.g. short circuit or cable break).	With failure of the sensor the associated monitoring function is de-activated.	Check sensor cable. Check sensor and replace if required. Check fault limits for sensor.
	10	Charge air temperature	105	2			
	11	Fuel temperature	174	2			

NOTE: SID is equal to 512. To get SPN #, add 512 + number. For example, SID 254 would be 512+254 or an SPN of 766.

Figure 3-95. EMR2 Fault Codes - Sheet 1 of 5

SECTION 3 - CHASSIS & TURNTABLE

Fault group	Fault no. (in SERDIA)	Fault locality/ Fault description	SPN	FMI	Cause	Remarks	Help
Functional fault warning	30	Oil pressure warning	100	1	Oil pressure below speed-dependent warning line characteristic	Fault message (disappears when oil pressure is again above recovery limit). After a delay time - fill limitation.	Check engine (oil level, oil pump). Check oil pressure sensor and cable. Check oil pressure warning line characteristic.
	31	Coolant temperature warning	110	0	Coolant temperature has exceeded warning level.	Fault message (disappears when coolant temperature again drops below recovery level). After a delay time - fill limitation.	Check coolant. Check coolant temperature sensor and cable.
	32	Charge air temperature warning	105	0	Charge air temperature has exceeded warning level.	Fault message (disappears when charge air temperature gain drops below recovery level). After a delay time - fill limitation.	Check charge air. Check charge air-temperature sensor and cable.
	34	Coolant level warning	111	1	Switch input "Low coolant level" is active.	Fault message.	Check coolant level. Check coolant level sensor and cable.
	35	Speed warning (with thrust mode operation).	SID 190	14	revolutions was/is above (top) revolution speed limit. "Thrust mode" function is active.		Check parameters. Check speed settings.
						Check PID setting. Check rods. Check actuator and replace if required. Check cable to actuator. Check speed sensor (impulses on incorrect speed). Check No. of teeth. For vehicles check for possible thrust mode.	
		36	Fuel temperature warning	174	0	Fuel-temperature has exceeded warning level.	Fault message (disappears when fuel temperature again drops below recovery level).

NOTE: SID is equal to 512. To get SPN #, add 512 + number. For example, SID 254 would be 512+254 or an SPN of 766.

Figure 3-96. EMR2 Fault Codes - Sheet 2 of 5

Fault group	Fault no. (in SERDIA)	Fault locality/ Fault description	SPN	FMI	Cause	Remarks	Help
Functional fault, switch-off	42	Charge air temperature switch-off	105	0	Charge air temperature has exceeded switch-off limit.	Emergency stop	Check charge air. Check charge air-temperature sensor and cable. Check switch-off limit.
	44	Coolant level switch-off	111	1	Switch input "Low coolant level" is active.	Emergency stop. Start lock.	Check coolant level. Check coolant level sensor and cable.
Actuator	50	Feedback	SID 24	12	Actuator not connected. Fault in actuator confirmation.	Emergency switch-off. Actuator cannot be operated.	Check actuator, replace if required. Check cable, check fault limits for "Confirmation".
	52	Reference feedback	SID 24	13			Check actuator, replace if required. Check cable, check fault limits for "Rifeness confirmation".
	53	Control travel difference	SID 23	7	Injection pump/actuator jammed or not connected. Difference between nominal/actual control travel is > 10 % of the overall control path.	Fault message (disappears when difference is < 10 %).	Check actuator/actuator rods / injection pump, replace if required. Check actuator cable.
	59	Auto calibration BOSCH-EDC pumps faulty operation	SID 23	13	No automatic actuator equalization possible. Incorrect input of the actuator reference values.	Engine stop / start lock. Governor cannot be taken into use. EDC actuator calibration required.	Check actuator and replaced if required. Check feedback cable. Check fault limits and reference values of the feedback. Program the fault limits for feedback, save values. Switch ignition off and on again. Check again. If faulty, inform DEUTZ-Service and carry out automatic equalization again. Set fault limits again.

NOTE: SID is equal to 512. To get SPN #, add 512 + number. For example, SID 254 would be 512+254 or an SPN of 766.

Figure 3-97. EMR2 Fault Codes - Sheet 3 of 5

SECTION 3 - CHASSIS & TURNTABLE

Fault group	Fault no. (in SERDIA)	Fault locality/ Fault description	SPN	FMI	Cause	Remarks	Help
Hardware inputs/ outputs	60	Digital output 3 (Switch-off solenoid, pin M 2)	SID 51	2	Fault (short circuit / cable break) at digital output.	Driver level is switched off.	Check cable of digital output (cable break or short circuit).
	62	Digital output 6, pin M 7	SID 60	2		Fault message.	
	63	Excess voltage switch-off solenoid	SID 51	6			
	67	Error Hand Setp1	91	11			
	68	Error CAN Setp1	898	2			
	Communication	70	CAN-Bus controller	SID 231	12	CAN-controller for CAN-bus is faulty. Fault removal despite re-initialising continuously not possible	Application-dependent.
71		CAN interface SAE J 1939	SID 231	9	Overflow in input buffer or a transmission cannot be placed on the bus.		
74		Cable break, short circuit or bus-error	SID 231	14			Check CAN connection, cable connection. Check sensor and replace if required.
Memory	76	Parameter programming (write EEPROM)	SID 253	12	Fault in parameter programming in the governor fixed value memory.		Switch ignition off and on again. Check again. If faulty inform DEUTZ Service
	77	Cyclic program test	SID 240	12	Constant monitoring of program memory shows error (so-called "Flash-test").	Emergency switch-off: engine cannot be started.	Note values of parameters (3895 and 3896). Switch ignition off and on again. Check again. If faulty inform DEUTZ Service.
	78	Cyclic RAM test	SID 254	2	Constant monitoring of working memory shows error.		

NOTE: SID is equal to 512. To get SPN #, add 512 + number. For example, SID 254 would be 512+254 or an SPN of 766.

Figure 3-98. EMR2 Fault Codes - Sheet 4 of 5

Fault group	Fault no. (in SERDIA)	Fault locality/ Fault description	SPN	FMI	Cause	Remarks	Help
Control unit hardware	80	Power supply (Actuator)	SID 254	2	Power supply for actuator not in the permissible range.	Fault message (disappears when power again in the normal range).	Switch ignition off and on again. Check again. If faulty inform DEUTZ Service.
	83	Reference voltage 1	SID 254	2	Reference voltage for actuator not in the permissible range.	Fault message (disappears when power again in the normal range). Auxiliary value 5 V	Check voltage supply. Switch ignition off and on again. Check again. If faulty inform DEUTZ Service.
	84	Reference voltage 2	SID 254	2			
	85	Reference voltage 4	SID 254	2			
	86	Internal temperature	171	12	Internal temperature for control unit not in permissible range.	Fault message (disappears when power again in the normal range).	Switch ignition off and on again. Check again. If faulty inform DEUTZ Service.
87	Atmospheric pressure	108	12	Atmospheric pressure not in permissible range.	Fault message (disappears when power again in normal range). Atmospheric pressure monitoring function de-activated.	Switch ignition off and on again. Check again. If faulty inform DEUTZ Service.	
Program logic	90	Parameter fault (EEPROM retrieval or checksum faulty).	SID 253	2	No data found or checksum of data is faulty (note: fault only occurs during setting of parameter / saving or reset).	Engine cannot be started.	Check data for correct settings. Save parameters. Switch ignition off and on again. Check again. If faulty inform DEUTZ Service.
	93	Stack overflow	SID 240	2	Internal calculation fault (so-called "Stack overflow" fault).	Emergency switch-off. Engine cannot be started.	Note parameters (3897 and 3898). Switch ignition off and on again. Check again. If faulty inform DEUTZ Service.
	94	Internal fault	SID 254	2			

NOTE: SID is equal to 512. To get SPN #, add 512 + number. For example, SID 254 would be 512+254 or an SPN of 766.

Figure 3-99. EMR2 Fault Codes - Sheet 5 of 5

Table 3-15. Deutz Engine Fault Codes

SPN	FMI	Deutz Code	Blink Code	Description	Possible Cause	Action
						Check exhaust temperature sensor upstream of SCR-catalyst (SCR_tSensUCatUsT): plausible compared to Exh_tOxiCatUs & Exh_tOxiCatDs e.g. when engine has idled for 20 minutes? => Run stand-still to remove crystallisation and to reset the DFC
29	2	978	1-2-6	Diagnostic fault check of synchronism of hand throttle and Low idle switch (LIS).	Plausibility error between sensor and idle switch	Threshold for error detection is an internal ECU threshold. The accelerator pedal must have detected full load and idle plausibility at least once.
29	3	932	1-2-6	Diagnostic fault check of short circuit to supply voltage (signal range check high) of acceleration pedal signal.	The signal exceeds the applicable threshold; signal range violation	If the signal is below the applicable threshold APP_uRawSRCHIHTLIS_C, the signal range violation is reset after the healing debouncing. In case when the CCP is active (CCP_stActive = 1) and the reading from the EEPROM memory is successful, the signal is below the threshold APP_uHTLISCCPHi[1], a signal range violation is reset after debouncing.
29	4	937	1-2-6	Diagnostic fault check of short circuit to ground (signal range check low) of acceleration pedal signal	The signal is below the applicable threshold; signal range violation	If the signal exceeds the applicable threshold APP_uRawSRCLoHTLIS_C, the signal range violation is reset after the healing debouncing. In case when the CCP is active (CCP_stActive = 1) and the reading from the EEPROM memory is successful, the signal exceeds the threshold APP_uHTLISCCPLo[1], a signal range violation is reset after debouncing.
91	3	935	2-2-6	Analog accelerator pedal sensor 1 or double accelerator pedal sensor: the voltage measured by ECU is out of the target range or the calculated pedal position is implausible compared with the position of the second pedal	Sensor defect. Short cut to battery or open loop.	Check cabling, check accelerator pedal sensor and if necessary replace it, check connection cable and if necessary repair or replace it. If the signal is below the applicable threshold APP_uRaw1SRCHigh_C, the signal range violation is reset after the healing debouncing.

Table 3-15. Deutz Engine Fault Codes

SPN	FMI	Deutz Code	Blink Code	Description	Possible Cause	Action
91	4	940	2-2-6	Analog accelerator pedal sensor 1 or double accelerator pedal sensor: the voltage measured by ECU is out of the target range or the calculated pedal position is implausible compared with the position of the second pedal	Short circuit to ground.	Check cabling, check accelerator pedal sensor and if necessary replace it, check connection cable and if necessary repair or replace it If the signal exceeds the applicable threshold APP_uRaw1SRCLow_C, the signal range violation is reset after the healing
91	11	976	2-2-6	Diagnostic fault check of synchronism of single potentiometer and Low idle switch (LIS).	Measured voltage of accelerator pedal 1 is out of plausible range.	Threshold for error detection is an internal ECU threshold. Check cabling, check accelerator pedal and pedal sensor and if necessary replace it, check connection cable and if necessary repair or replace it. When the PWM period APP_tiPWMPer is in between APP_tiSRCLoPWMPer_C and APP_tiSRCHiPWMPer_C.
94	1	474	216	Low fuel pressure: the low fuel pressure calculated by ECU is underneath the target range; the ECU activates a system reaction	Fuel pressure below warning threshold	Check low fuel pressure system (fuel feed pump, relay, fuse, wiring, sensor) and if necessary repair or replace it.
94	3	472	216	Low fuel pressure sensor: the voltage of sensor measured by ECU is out of the target range	cable break or short circuit, sensor defective, connection cable damaged Short cut to battery or open loop	Check cabling, if sensor not working, check sensor and if necessary replace it, check connection cable and if necessary repair or replace it
94	4	473	216	Low fuel pressure sensor: the voltage of sensor measured by ECU is out of the target range	cable break or short circuit, sensor defective, connection cable damaged short cut to ground	Check cabling, if sensor not working, check sensor and if necessary replace it, check connection cable and if necessary repair or replace it
97	3	464	228	Fuel filter water level sensor: the voltage of sensor measured by ECU is out of the target range	Sensor not connected or sensor defect.	Check of wiring and water in fuel sensor. Check cabling, if charge Water in Fuel sensor is not working, check sensor and if necessary replace it, check connection cable and if necessary repair or replace it.
97	4	465	228	Fuel filter water level sensor: the voltage of sensor measured by ECU is out of the target range.	cable break or short circuit, sensor defective, connection cable damaged. Short cut to ground.	Check sensor and if necessary replace it, check connection cable and if necessary repair or replace it.
97	12	1157	228	Fuel filter water level sensor: the maximum level is exceeded	Water level in fuel pre-filter reservoir over limit (bad fuel quality)	Measure Voltage at Water in Fuel Sensor and renew harness if needed.

SECTION 3 - CHASSIS & TURNTABLE

Table 3-15. Deutz Engine Fault Codes

SPN	FMI	Deutz Code	Blink Code	Description	Possible Cause	Action
100	1	736	231	Oil pressure is below the target range (warning threshold)	Oil pressure too low (pressure below warning threshold)	Threshold for error detection is an internal ECU threshold. Check oil level, check engine for oil leakage, measure oil pressure external to evaluate sensor value
100	1	737	231	Oil pressure is below the target range (shut off threshold)	Oil pressure too low (pressure below shut off threshold).	Threshold for error detection is an internal ECU threshold. Check oil level, check engine for oil leakage, measure oil pressure external to evaluate sensor value.
100	3	732	224	Oil pressure sensor: the voltage of sensor measured by ECU is out of the target range	short circuit to battery or cable break	check battery and wiring Check cabling. If sensor not working, check sensor and if necessary replace it, check connection cable and if necessary repair or replace it.
100	4	733	224	Oil pressure sensor: the voltage of sensor measured by ECU is out of the target range	Short circuit to ground	The sensed raw voltage value Oil_uRawPSwmp is above Oil_SRCPSwmp.uMin_C Check cabling, if sensor not working, check sensor and if necessary replace it, check connection cable and if necessary repair or replace it No detail information.
102	1	774	223	charge air pressure below lower limit	measured charge air pressure below the threshold.	Check complete air system of engine for massive leakage, especially from compressor to intake air manifold. Check air filter. Exchange charge air pressure sensor.
102	2	88	223	Charge air pressure measured by sensor is above the shut off threshold.	Charged air cooler pressure below threshold.	Check waste gate system if necessary replace TC, check CAC if all channels are clean, check charge air piping if necessary.
102	2	89	223	Charge air pressure measured by sensor is above the warning threshold.	Charge air pressure above shut off threshold.	Check waste gate system if necessary replace TC, check CAC if all channels are clean, check charge air piping if necessary.
102	2	772	223	Deviation between sensed intake manifold pressure is not plausible compared to environment pressure. Which sensor is not okay can not be said.	deviation between ambient pressure sensor and charge air pressure sensor at not running engine to high	1) Exchange boost pressure sensor 2) Exchange ECU
102	3	776	223	Charge air pressure sensor: the measured voltage of sensor by ECU is out of the target range	The Sensor Voltage is above the Threshold.	Check cabling, if charge air pressure/ temperature sensor is not working, check sensor and if necessary replace it, check connection cable and if necessary repair or replace it.

Table 3-15. Deutz Engine Fault Codes

SPN	FMI	Deutz Code	Blink Code	Description	Possible Cause	Action
102	4	777	223	Charge air pressure sensor: the measured voltage of sensor by ECU is out of the target range	The Sensor Voltage is below the Threshold.	Check cabling, if charge air pressure/ temperature sensor is not working, check sensor and if necessary replace it, check connection cable and if necessary repair or replace it
105	0	996	233	Charge air temperature downstream calculated by ECU is above the target range. The ECU activates a system reaction.	Charge air temperature (downstream) over warning threshold.	Check CAC system and clean it. Check fan functionality. Check cooling performance with temperature measurement.
105	0	997	233	Charge air temperature downstream calculated by ECU is under the shut down threshold. The ECU activates a system reaction.	Charge air temperature (downstream) over the low threshold.	Check CAC system and clean it. Check fan functionality. Check cooling performance with temperature measurement.
105	1	992	128	Charged Air cooler down stream temperature. Temperature below lower physical threshold.	Sensed temperature within intake air manifold < threshold.	actual temperature below -40°C? exchange sensor
105	3	994	128	Charge air temperature sensor: the voltage of sensor measured by ECU is out of the target range.	Short circuit to battery. sensor voltage > limit	The sensor raw signal Air_uRawTCACDs (voltage) > Air_SRCTCACDs.uMin_C. Check CAC-sensor and if necessary replace it, check connection cable and if necessary repair or replace it.
105	4	995	128	Charge air temperature sensor: the voltage of sensor measured by ECU is out of the target range.	Short circuit to ground or open load. sensor voltage < limit.	The sensor raw signal Air_uRawTCACDs (voltage) is below Air_SRCTCACDs.uMin_C. Check CAC-sensor and if necessary replace it, check connection cable and if necessary repair or replace it
107	0	752	136	Air filter differential pressure: the pressure difference of the intake air between the filter inlet and outlet calculated by ECU is above the target range and the ECU activates a system reaction	Pressure loss above target range with system reaction, air filter clogged or defective, sensor not working, connection cable damaged Pressure value above warning threshold	Check air filter and if necessary clean or renew it, check cabling, check sensor and if necessary replace it, check connection cable and if necessary repair or replace it
110	0	98	232	Coolant temperature: the coolant temperature calculated by ECU is above the target range; the ECU activates a system reaction.	Cooling temperature too high. Coolant temperature above warning threshold.	Clean radiator, check fan drive, check coolant level, check cooling system in general, check thermostat function, check water pump.
110	0	99	232	Coolant temperature: the coolant temperature calculated by ECU is above the target range. The ECU activates a system reaction.	Coolant temperature above shut off threshold.	Clean radiator, check fan drive, check coolant level, check cooling system in general, check thermostat function, check water pump.
110	1	93	225	Coolant temperature sensor: the voltage of the sensor measured by ECU is out of the target range.	Suspected components: wiring harness, coolant temperature sensor.	Check wiring harness and connected Coolant Temp Sens.

SECTION 3 - CHASSIS & TURNTABLE

Table 3-15. Deutz Engine Fault Codes

SPN	FMI	Deutz Code	Blink Code	Description	Possible Cause	Action
110	3	96	225	Coolant temperature sensor: the voltage of the sensor measured by ECU is out of the target range.	Short cut to battery or open load.	Check sensor and if necessary replace it, check connection cable and if necessary repair or replace it.
110	4	97	225	Coolant temperature sensor: the voltage of the sensor measured by ECU is out of the target range.	Voltage Surveillance has found shortcut to Ground at Coolant Temperature Sensor.	Check sensor and if necessary replace it, check connection cable and if necessary repair or replace it Measure Voltage at Coolant Temperature Sensor and renew harness if needed.
111	1	101	235	Coolant level: the coolant level calculated by ECU is underneath the allowed minimum.	Coolant level too low, leakage in cooling system, sensor defective, wiring damaged.	Check coolant level, inspect cooling system for leakage and if necessary repair it, check sensor and wiring
157	3	877	147	Rail pressure sensor: the voltage of sensor measured by ECU is out of the target range.	Short cut to battery. Damaged rail pressure sensor.	Check cabling, check rail pressure sensor and if necessary replace it, check connection cable and if necessary repair or replace it.
157	4	878	147	Rail pressure sensor: the voltage of sensor measured by ECU is out of the target range.	Check cabling, check rail pressure sensor and if necessary replace it, check connection cable and if necessary repair or replace it.	Check cabling, check rail pressure sensor and if necessary replace it, check connection cable and if necessary repair or replace it.
164	2	1381	839	Rail pressure safety function is not executed correctly	Rail pressure is still above threshold.	Threshold for error detection is an internal ECU threshold. Reset the fault and at reappearance check ECU and injection system
168	0	1180	318	Battery voltage: the voltage measured by ECU is out of the target range	Battery voltage over limit	Check alternator, regulator of alternator and if necessary replace it, check wiring and voltage of alternator
168	1	1181	318	Battery voltage: the voltage measured by ECU is out of the target range	Battery voltage below limit	Check alternator, cabling, contact resistance, safety fuses, too high load in energy system, check battery and if necessary replace it
168	2	47	318	Battery voltage: the voltage measured by ECU is out of the target range, system reaction is initiated	If Battery voltage (Ubatt_U) > 17V or 31V for mor ethan =0.5sec a warning is generated Battery voltage above warning threshold	Check wiring harness and connected alternator.
168	3	45	318	Battery voltage: the voltage measured by ECU is out of the target range, system reaction is initiated	Battery voltage above warning threshold (~38,9Volt), Short cut to battery possible.	Check wiring harness and connected alternator.
168	4	46	318	Battery voltage: the voltage measured by ECU is out of the target range, system reaction is initiated	Battery voltage below warning threshold, Short cut to ground	Check wiring harness and connected alternator.

Table 3-15. Deutz Engine Fault Codes

SPN	FMI	Deutz Code	Blink Code	Description	Possible Cause	Action
171	3	417	312	Sensor error SCR-System environment temperature; DPF-System air inlet temperature; signal range check high	open loop to sensor	Check cabling, if environment temperature sensor is not working, check sensor and if necessary replace it, check connection cable and if necessary repair or replace it.
171	4	418	312	Sensor error SCR-System environment temperature; DPF-System air inlet temperature; signal range check low	short circuit to Ground	Check cabling, if environment temperature sensor is not working, check sensor and if necessary replace it, check connection cable and if necessary repair or replace it
172	0	1425	226	sensed intake air temperature at air filter > physical high limit	sensed intake air temperature at air filter > physical high limit	Check outside conditions: Temperature > Threshold within the intake air system of the engine? E.G: engine sucks in air from hot asphalt out of paver bucket Sensor positioned within black air filter housing above engine lid at hot environmental conditions and idling or similar? => if yes check with application team to adapt limits if not check sensor and wiring harness exchange sensor
172	1	1183	226	sensed air temperature within air intake path of engine below physical low limit	sensed air temperature within air intake path of engine below physical low limit	Cold start and ambient temperature < threshold Check wiring harness to AFST-sensor Exchange AFST-sensor
190	0	389	214	Engine speed: the engine speed calculated by ECU is above the target range; the ECU activates a system reaction	Overspeed monitoring during 1 level of FOC (Failure overrun condition) if engine speed was over Limit.	check powertrain settings regarding overspeed
190	2	421	213	ECU measures a deviation between camshaft and crankshaft angle to target.	Offset error between crankshaft and camshaft.	Threshold for error detection is an internal ECU threshold, occurs by offset between crankshaft and camshaft. Check increment wheel position, clean and adjust if necessary, check sensor position. Check Camshaft and Crankshaft sensor or wiring.
190	8	419	212	Camshaft speed sensor: the ECU receives no signal and uses the signal from crankshaft speed sensor as alternative to calculate the engine speed	When disturbed camshaft signal detected. Error in sensor or wiring.	Threshold for error detection is an internal ECU threshold, occurs by disturbed camshaft signal. Check increment wheel position, clean and adjust if necessary, check sensor position. Check Camshaft Sensor or wiring.

SECTION 3 - CHASSIS & TURNTABLE

Table 3-15. Deutz Engine Fault Codes

SPN	FMI	Deutz Code	Blink Code	Description	Possible Cause	Action
190	8	422	212	Sensor crankshaft speed; disturbed signal	Error in sensor or wiring. Crankshaft sensor defect.	Threshold for error detection is an internal ECU threshold, occurs by disturbed crankshaft signal. Check increment wheel position, clean and adjust if necessary, check sensor position. Check Crankshaft Sensor or wiring.
190	11	390	214	Engine speed: the engine speed calculated by ECU is above the target range; the ECU activates a system reaction	Overspeed monitoring during 2 level of FOC (Failure overrun condition) if engine speed was over limit.	check powertrain settings regarding overspeed
190	12	420	212	Camshaft speed sensor: the ECU receives no signal and uses the signal from camshaft speed sensor as alternative to calculate the engine speed Threshold:	Error in sensor or wiring.	Threshold for error detection is an internal ECU threshold, occurs by disturbed or no camshaft signal. Check increment wheel position, clean and adjust if necessary, check sensor position. Check Camshaft Sensor or wiring.
190	12	423	212	Crankshaft speed sensor: the ECU receives no signal and uses the signal from camshaft speed sensor as alternative to calculate the engine speed.	Error in sensor or wiring.	Threshold for error detection is an internal ECU threshold, occurs by disturbed or no Crankshaft signal. Check increment wheel position, clean and adjust if necessary, check Crankshaft sensor position or wiring.
190	14	391	214	Engine speed: the engine speed calculated by ECU is above the target range; the ECU activates a system reaction	Overspeed monitoring during ORC (Override conditions) if engine speed was over 2900rpm	check powertrain settings regarding overspeed
190	14	1222	2-1-2	Camshaft- and Crankshaft speed sensor signal not available on CAN or defect.	Sensors for engine speed are defect.	Threshold for error detection is an internal ECU threshold. Check wiring, check cables and repair or replace if necessary.
411	0	791	693	delta pressure across venturi in EGR line above physical high limit	sensed value of venturi difference pressure > high limit	Threshold for error detection is an internal ECU threshold. EGR-Valve blocked open EGR-Valve actuator defect EGR-cooler defect (check for coolant water) Reed Valve defect Intake throttle blocked in closed position => Check intake throttle Exhaust pressure too high => Check Exhaust pressure Check Nox-sensor upstream SCR catalyst dp venturi sensor defect

Table 3-15. Deutz Engine Fault Codes

SPN	FMI	Deutz Code	Blink Code	Description	Possible Cause	Action
411	1	792	693	delta pressure across venturi in EGR line below physical low limit	sensed value of venturi difference pressure < low limit	Threshold for error detection is an internal ECU threshold. Check correct mounting of difference pressure sensor at venturi tube Exchange difference pressure sensor broken
411	3	795	693	The sensed raw voltage Air_uRawPEGRDeltaP is above the maximum threshold.	EGR Delta pressure Sensor defect	Check cabling, if charge EGR Delta pressure sensor is not working, check sensor and if necessary replace it, check connection cable and if necessary repair or replace it.
411	4	381	693	Range check cannot be done or interrupted.	EGR or wiring defect	Check wiring harness and connected EGR.
411	4	796	693	The sensed raw voltage value Air_uRawPEGRDeltaP is above the minimum threshold.	EGR Delta pressure Sensor defect	Check cabling. If charge EGR Delta pressure sensor is not working, check sensor and if necessary replace it, check connection cable and if necessary repair or replace it.
411	11	793	693	DFC is stored in EEPROM and status kept until check is allowed to be carried out again DFC can be reset by service routine 216	deviation between desired O2 concentration in intake air manifold and the real O2-concentration within intake air manifold > limit	Threshold for error detection is an internal ECU threshold. EGR-Valve mechanically blocked open or closed EGR-pipe blocked with metall plate instead sealing downstream EGR-Valve EGR-Valve actuator defect EGR-cooler defect (check for coolant water) Reed Valve defect Intake throttle blocked in closed position => Check intake throttle Exhaust pressure too high => Check Exhaust pressure Check Nox-sensor upstream SCR catalyst dp venturi sensor defect
412	3	1007	682	EGR downstream temperature sensor: the voltage of sensor measured by ECU is out of the target range.	Short circuit to battery. sensor voltage > limit	Check wiring harness to TEGR-sensor. Exchange TEGR-sensor.
412	4	1008	682	EGR downstream temperature sensor: the voltage of sensor measured by ECU is out of the target range.	Short circuit to ground or open load. sensor voltage < limit	Check wiring harness to TEGR-sensor. Exchange TEGR-sensor.
630	12	376	281	Internal hardware monitoring: the ECU finds an error during the access to its EEPROM memory or works with an alternative value	Section could not be erased	Threshold for error detection is an internal ECU threshold. There is no healing possible for the error. In the every new initialization phase, the debounce level is set to zero. If not programmed, EEPROM is defect --> ECU is defect, reprogram ECU and if necessary replace it.

Table 3-15. Deutz Engine Fault Codes

SPN	FMI	Deutz Code	Blink Code	Description	Possible Cause	Action
630	12	377	281	Internal hardware monitoring: the ECU finds an error during the access to its EEPROM memory or works with an alternative value	Minimum 3 blocks could not be read, EEPROM has Checksum Error	There is no healing possible for the error. In the every new initialization phase, the debounce level is set to zero. If not programmed, EEPROM is defect --> ECU is defect, reprogram ECU and if necessary replace it
630	12	378	281	Internal hardware monitoring: the ECU finds an error during the access to it's EEPROM memory or works with an alternative value	Block could not be written for minimum 3 times	Threshold for error detection is an internal ECU threshold. If not programmed, EEPROM is defect --> ECU is defect, reprogram ECU and if necessary replace it.
639	14	84	271	CAN bus 0: the ECU is not allowed to send messages, because the status "BusOff" is detected.	CAN BusOff error; CAN 0 (Customer CAN)	Threshold for error detection is an internal ECU threshold. BusOff bit for CAN A node is set. Check wiring of CAN bus and if necessary repair it, check connection cable and if necessary repair or replace it, check resistance in CAN lines (120 Ohm).
651	3	580	154	Injector cyl. 1: the current drop measured by ECU is above the target range	Suspected Components: injector cylinder 1 wiring harness, cable break or short circuit, sen- sor defective, connection cable damaged	Threshold for error detection is an internal ECU threshold. Check wiring harness, injectors and if necessary repair/replace it. Use SerDia Injector test for diagnosis.
651	5	568	154	Injector cyl. 1: interruption of electrical connection	Interruption of electronic connection Injector cyl. 1	Threshold for error detection is an internal ECU threshold. Check wiring harness, injectors and if necessary repair/replace it.
652	3	581	155	Injector cyl. 2: the current drop measured by ECU is above the target range	Suspected Components: injector cylinder 2 wiring harness, cable break or short circuit, sen- sor defective, connection cable damaged	Threshold for error detection is an internal ECU threshold. Check wiring harness, injectors and if necessary repair/replace it. Use SerDia Injector test for diagnosis.
652	5	569	155	Injector cyl. 2: interruption of electrical connection	Interruption of electronic connection Injector cyl. 2	Threshold for error detection is an internal ECU threshold. Check wiring harness, injectors and if necessary repair/replace it.
653	3	582	156	Injector cyl. 3: the current drop measured by ECU is above the target range	Suspected Components: injector cylinder 3 wiring harness, cable break or short circuit, sen- sor defective, connection cable damaged	Threshold for error detection is an internal ECU threshold. Check wiring harness, injectors and if necessary repair/replace it. Use SerDia Injector test for diagnosis.

Table 3-15. Deutz Engine Fault Codes

SPN	FMI	Deutz Code	Blink Code	Description	Possible Cause	Action
653	5	570	156	Injector cyl. 3: interruption of electrical connection	Interruption of electronic connection Injector cyl. 3	Threshold for error detection is an internal ECU threshold. Check wiring harness, injectors and if necessary repair/replace it.
654	3	583	161	Injector cyl. 4: the current drop measured by ECU is above the target range	Suspected Components: injector cylinder 4 wiring harness, cable break or short circuit, sensor defective, connection cable	Threshold for error detection is an internal ECU threshold. Check wiring harness, injectors and if necessary repair/replace it. Use SerDia Injector test for diagnosis.
654	5	571	161	Injector cyl. 4: interruption of electrical connection	Interruption of electronic connection Injector cyl. 4	Threshold for error detection is an internal ECU threshold. Check wiring harness, injectors and if necessary repair/replace it.
655	3	584	162	Injector cyl. 5: the current drop measured by ECU is above the target range	Suspected Components: injector cylinder 5 wiring harness, cable break or short circuit, sensor defective, connection cable	Threshold for error detection is an internal ECU threshold. Check wiring harness, injectors and if necessary repair/replace it. Use SerDia Injector test for diagnosis.
655	5	572	162	Injector cyl. 5: interruption of electrical connection	Interruption of electronic connection Injector cyl. 5	Threshold for error detection is an internal ECU threshold. Check wiring harness, injectors and if necessary repair/replace it.
656	3	585	163	Injector cyl. 6: the current drop measured by ECU is above the target range	Suspected Components: injector cylinder 6 wiring harness, cable break or short circuit, sensor defective, connection cable	Threshold for error detection is an internal ECU threshold. Check wiring harness, injectors and if necessary repair/replace it. Use SerDia Injector test for diagnosis.
656	5	573	163	Injector cyl. 6: interruption of electrical connection	Interruption of electronic connection Injector cyl. 6	Threshold for error detection is an internal ECU threshold. Check wiring harness, injectors and if necessary repair/replace it.
676	11	543	263	Cold start aid relay error.	Relay defect or wire harness problem	Threshold for error detection is an internal ECU threshold. check wire harness, replace relay
676	11	544	263	Cold start aid relay open load	Relay or wire harness	Threshold for error detection is an internal threshold. check wire harness, replace relay
677	3	956	512	Start relay (high side power stage): the current drop measured by ECU is above the target range.	Short cut HighSide-output to battery.	Threshold for error detection is an internal ECU threshold. Check cabling and start relay and if necessary replace it, check connection cable and if necessary repair or replace it.

SECTION 3 - CHASSIS & TURNTABLE

Table 3-15. Deutz Engine Fault Codes

SPN	FMI	Deutz Code	Blink Code	Description	Possible Cause	Action
677	3	960	512	Start relay (low side power stage): the current drain measured by ECU is above the target range.	Shortcut LowSide-Output to battery.	Threshold for error detection is an internal ECU threshold. Check cabling and start relay and if necessary replace it, check connection cable and if necessary repair or replace it.
677	4	957	512	Start relay (high side power stage): the current drain measured by ECU is above the target range.	Shortcut HighSide-output to ground.	Threshold for error detection is an internal ECU threshold. Check cabling and start relay and if necessary replace it, check connection cable and if necessary repair or replace it.
677	4	961	512	Start relay (low side power stage): the current drop measured by ECU is above the target range.	Shortcut LowSide-Output to ground.	Threshold for error detection is an internal ECU threshold. Check cabling and start relay and if necessary replace it, check connection cable of terminal 50 and if necessary repair or replace it.
677	5	958	512	Start relay (low side power stage): the current drop measured by ECU is above the target range	Open circuit/disconnection LowSide-Output.	Threshold for error detection is an internal ECU threshold. Check cabling and start relay and if necessary replace it, check connection cable and if necessary repair or replace it.
677	12	959	512	Start relay (low side power stage): the current drop measured by ECU is above the target range.	Temperature over limit.	Threshold for error detection is an internal ECU threshold. Check cabling and start relay and if necessary replace it, check connection cable and if necessary repair or replace it.
691	8	928	928	Supply module heater: PWM time period out of valid range.	PWM signal for temperature readout from supply module to the control unit is out of range. Supply modul defect, fault in the wiring.	The Time period of the received PWM signal SCR_ttiSMPerPwm is within the specified range of 150ms to 250ms Supply module check and replace if necessary. Check the wiring.
729	3	549	263	wiring to the intake air heater device is faulty.	Intake Air Heater Device: overload, short-circuit	Threshold for error detection is an internal ECU threshold. Electrical error, Check wiring to the intake air heater device.
729	4	551	263	wiring to the air intake heater is faulty	Relay (for cold start aid) cable break or short to ground:	Threshold for error detection is an internal ECU threshold. Electrical error, check wiring to the air intake heater.

Table 3-15. Deutz Engine Fault Codes

SPN	FMI	Deutz Code	Blink Code	Description	Possible Cause	Action
729	5	545	263	The cold start aid relay is according to wiring faulty.	Relay defect or wire harness problem	Threshold for error detection is an internal ECU threshold. Electrical error, check wires
729	12	547	263	The cold start aid relay is overheated, which causes this error	High temperature around the cold start relay.	Check the functionality of relay and replace it if needed. Check the temperature around the cold start relay during worst case operation.
898	9	305	118	Timeout Error of CAN-Receive-Frame TSC1TE - active	Timeout Error (Missing CAN Bus message)	Check CAN Bus cabling (Bus scheduling, polarity, short circuit, power interrupt), test protocol of receiver, check CAN functional range.
1079	13	946	282	Internal hardware monitoring: the ECU detects a deviation of the target range of the power supply voltage of sensor output 1.	Suspected components EDC17cv52 Pin A19: DEF press / Exh.PressBeforeTurb (P3) / Air Pump Press /BrnFuelPressAfterDV2 Pin K19: Fan Speed Sensor Pin A21: LDF6T / OilPress / LowFuel Press Pin A17: Rail Pressure Sensor Suspected components EDC17cv54 Pin A21: CAM speed Pin K44: Delta Press Venturi / Poti EGR or Inlet Throttle Pin A24: LDF6T / OilPress / LowFuelPressPin K43: Reserve 5V Sensor Supply Pin A09: second footpedal Suspected components EDC17cv56 Pin A21: Cam speed Pin K44: DEF press / Air Fil- terDiffPress Pin A24: LDF6T / OilPress / LowFuelPress Pin K43: second footpedal Pin A09: Delta Press Venturi	Check cabling of external components, check working voltage and if necessary correct it, check connection cable and if necessary repair or replace it, if error is not removable, change ECU.
1080	13	947	282	Internal hardware monitoring: the ECU detects a deviation of the target range of the power supply voltage of sensor output 2.	Suspected components EDC17cv52 Pin K16: second footpedal Pin A20: Exh.PressAfterTurb/DPFDiffPress/ BrnDV1Press/HCIPressDV1DV2 Suspected components EDC17cv54 Pin K45: DPF Diff Press / Exh. Press After Turb / Fan Speed Sensor Pin A46: first footpedal Suspected components EDC17cv56 Pin A22: Fan Speed Sensor Pin K45: Position EGR or Intake throttle flap Pin K46: First footpedal	Check cabling of external components, check working voltage and if necessary correct it, check connection cable and if necessary repair or replace it, if error is not removable, change ECU.

SECTION 3 - CHASSIS & TURNTABLE

Table 3-15. Deutz Engine Fault Codes

SPN	FMI	Deutz Code	Blink Code	Description	Possible Cause	Action
1109	2	121	341	Request of engine shut off: the operator ignores the engine shut off request within an allowed period.	Engine Shut Off demand has been ignored by the user	Depending on error requested a shut off.
1136	0	1398	681	ECU internal temperature; temperature measured by ECU is out of the target range	Short-Circuit in ECU, ECU heated by hot air	Close warm air circuits, replace ECU
1231	14	85	271	CAN bus 1: the ECU is not allowed to send messages, because the status "BusOff" is detected Warning, no diagnostic with SERDIA2010 possible.	CAN BusOff error; CAN 1 (Diagnostic CAN)	Threshold for error detection is an internal ECU threshold. BusOff bit for CAN B node is set. Check wiring of CAN bus and if necessary repair it, check connection cable and if necessary repair or replace it, check resistance in CAN lines (120 Ohm).
1235	14	86	271	CAN bus 2: the ECU is not allowed to send messages, because the status "BusOff" is detected. Warning, depends on engine, EAT.	CAN BusOff error; CAN 2 (Engine CAN)	Threshold for error detection is an internal ECU threshold. BusOff bit for CAN C node is set. Check wiring of CAN bus and if necessary repair it, check connection cable and if necessary repair or replace it, check resistance in CAN lines (120 Ohm).
1237	2	747	145	Override switch switch: the ECU receives a permanent signal.	Switch is blocked, taster locked, connection cable damaged plausibility error "override switch > 250ms pressed".	If the Block Button is pressed shorter than the Maximum Plausible pressing Time. Check cabling, if sensor is not working, check switch and if necessary replace it, check connection cable and if necessary repair or replace it.
1761	0	1593	129	The urea tank level sensor detects a value higher than the maximum allowed threshold	Suspected components: Urea Quality Sensor defect mechanical defect at the float gauge	Check level sensor and float gauge
1761	1	1594	129	The DEF tank level sensor detects a value lower than the minimum allowed threshold	Suspected components: Urea Quality Sensor defect mechanical defect at the float gauge	Check level sensor and float gauge
1761	14	1655	138	The urea tank volume ratio is below the threshold of <5%	actual urea tank level SCRUTnk_rVol_mp [%] is below applicable threshold 5%	Check urea level => if empty, then fill in urea Check DEF level sensor. If there is urea in the tank, then move the floater of the level sensor. The floater must be free. If you lift the sensor body, then SCRUTnk_rVol_mp must change. Exchange DEF level sensor, if no change of value or it's implausible.

Table 3-15. Deutz Engine Fault Codes

SPN	FMI	Deutz Code	Blink Code	Description	Possible Cause	Action
1761	14	1656	138	The urea tank volume ratio is below the threshold of <2.5%	actual urea tank level SCRUTnk_rVol_mp [%] is below 2.5%	Check urea level => if empty, then fill in urea Check DEF level sensor. If there is urea in the tank, then move the floater of the level sensor. The floater must be free. If you lift the sensor body, then SCRUTnk_rVol_mp must change. Exchange DEF level sensor, if no change of value or it's implausible.
1761	14	1880	138	The DEF tank level is below the threshold.	actual DEF tank level SCRUTnk_rVol_mp [%] is below the threshold	Check DEF level => if empty, refill Check DEF level sensor. If there is urea in the tank loose the sensor and move it. The floater must be free and move if you lift the sensor body. SCRUTnk_rVol_mp must change. Compare SCRUTnk_rVol_mp to: 1 = SCR_rawUTnkLvl 2 = SCR_rAdapUtnkLvl 3 = SCRUTnk_rActTnkVol *SCRUTnk_facVolPer_mp In case of malfunction, exchange DEF level sensor.
2791	0	1763	415	Internal actuator temperature is above threshold.	Overheating of EGR actuator during operation.	Let EGR actuator cool down and check heat accumulation during worst case operation.
2791	2	1753	415	corrupted CAN communication with actuator.	CAN bus error or faulty EGR actuator.	Threshold for error detection is an internal ECU threshold. Check other CAN bus components. If no message is sent, fix the wiring. If o.k. exchange EGR actuator.
2791	3	1758	415	Overvoltage at EGR actuator.	High voltage from the battery	Check battery voltage.
2791	4	1759	415	Undervoltage at EGR actuator.	Low voltage from the battery.	Check battery voltage.
2791	6	1757	415	Overcurrent to EGR actuator.	High voltage from battery. EGR actuator is blocked or moving very hard.	Check battery voltage. Check if EGR is blocked or not running smoothly. If everything is o.k. change EGR actuator.

SECTION 3 - CHASSIS & TURNTABLE

Table 3-15. Deutz Engine Fault Codes

SPN	FMI	Deutz Code	Blink Code	Description	Possible Cause	Action
2791	7	1752	415	EGR actuator is mechanically blocked.	EGR actuator faulty or blocked.	Threshold for error detection is an internal ECU threshold. Check the EGR actuator and EGR valve to mechanical blockage / clean. Check for free movement of the valve. If it'S blocked, then exchange the EGR valve.
2791	7	1761	415	EGR actuator spring broken.	mechanical damage of spring due to overstress.	Threshold for error detection is an internal ECU threshold. Exchange EGR actuator.
2791	12	1755	415	Internal electrical fault of EGR actuator.	Internal damage of EGR actuator due to high temperature or electrical wiring issue.	Threshold for error detection is an internal ECU threshold. Exchange EGR actuator.
2791	13	1754	415	EGR actuator can not learn stop positions. Possibly only second failure if other EGRTV failures occur.	Error detection during the learning process.	Threshold for error detection is an internal ECU threshold. Start Serdia Usecase to reset EGR actuator. Check EGR valve and mounting situation. If o.k. change EGR actuator.
2791	13	1756	415	EGR actuator can not learn stop positions because procedure was interrupted.	Interruption of learning process due to mechanical damage.	Threshold for error detection is an internal ECU threshold. Start Serdia Usecase to reset EGR actuator.
2791	13	1760	415	Stop positions of EGR valve not o.k.	Mechanical damage of EGR actuator. EGR valve is blocked or moving very hard.	Threshold for error detection is an internal ECU threshold. Start Serdia Usecase to reset EGR actuator.
2791	16	1762	415	Internal actuator temperature above threshold.	overheating of EGR actuator	Let EGR actuator cool down, check heat accumulation during worst case operation.
2797	4	1337	565	Injector diagnosis: Timeout of Injector detection cylinder bank 0	Short-Circuit to ground on component wiring	Threshold for error detection is an internal ECU threshold. Check wiring, component, ECU Note: affected injector has to be evaluated according to firing order
2797	4	1339	565	Injector test: Short cut to ground on cylinder bank 0	Short-Circuit to ground on component wiring	Check wiring, component, ECU Note: affected injector has to be evaluated according to firing order
2798	4	1338	566	Injector diagnosis: Timeout of injector detection cylinder bank 1	Short-Circuit to ground on component wiring	Threshold for error detection is an internal ECU threshold. Check wiring, component, ECU Note: affected injector has to be evaluated according to firing order
2798	4	1340	566	Injector test: Short cut to ground on cylinder bank 1	Short-Circuit to ground on component wiring	Check wiring, component, ECU Note: affected injector has to be evaluated according to firing order

Table 3-15. Deutz Engine Fault Codes

SPN	FMI	Deutz Code	Blink Code	Description	Possible Cause	Action
3031	0	1135	669	The urea tank temperature sensor detects a value above the maximum allowed threshold	Sensed urea tank temperature > physical range high limit	Case "CANBUS sensor": Check urea tank temperature: really hot? Check CANBus-message of DEF sensor urea tank temperature Com_dRxSCR2Byt2 Compare it to Com_dRxSCR1Byt1 (urea temperature at quality sensor) identical? Tank heater permantly on? Check wiring of DEF-quality sensor Case "analog DEFT & Level sensor": Check urea tank temperature: really hot? Check urea tank temperature SCR_tSensUTnkT Compare urea tank temperature to EnvT_t or to SCR_tSMT (the urea temperature inside the supply module) identical? Tank heater permantly on? Check wiring of analog DEFT & Level sensor
3031	1	1136	669	The urea tank temperature sensor detects a value lower than the minimum allowed threshold.	sensed urea tank temperature < physical range low limit	Case "CANBUS sensor": Check ambient temperature EnvT_t => About -40 °C? If yes Error could be plausible Check CANBus-message of DEF sensor urea tank temperature Com_dRxSCR2Byt2 Compare it to Com_dRxSCR1Byt1 (urea temperature at quality sensor) identical? Check wiring of DEF-quality sensor Check quality sensor Case "analog DEFT & Level sensor": Check urea tank temperature: really that cold? Check ambient temperature EnvT_t => About -40 °C? If yes Error could be plausible Check urea tank temperature SCR_tSensUTnkT Check wiring of analog DEFT & Level sensor Check analog DEFT & Level sensor
3224	2	129	596	DLC Error of CAN-Receive-Frame AT1IG1Vol NOX Sensor (SCR-system upstream cat; DPF- system downstream cat); length of frame incorrect.	Not Used	Threshold for error detection is an internal ECU threshold. Check Nox-Sensor and the wiring from CAN-BUS.
3224	9	130	597	Timeout Error of CAN-Receive-Frame AT1IG1Vol; NOX sensor (SCR-system upstream cat; DPF-system downstream cat).	Failure of the CAN Bus message	NOX sensor and sensor connection check

SECTION 3 - CHASSIS & TURNTABLE

Table 3-15. Deutz Engine Fault Codes

SPN	FMI	Deutz Code	Blink Code	Description	Possible Cause	Action
3234	2	138	114	DLC Error of CAN-Receive-Frame AT101Vol NOX Sensor (SCR-system downstream cat; DPF-system downstream cat); length of frame incorrect.	Failure of the CAN Bus message	NOX downstream sensor and sensor connection check
3234	9	139	117	Timeout Error of CAN-Receive-Frame AT10G1Vol; NOX sensor (SCR-system down- stream cat; DPF-system downstream cat).	Failure of the CAN Bus message	NOX downstream sensor and sensor connection check
3361	3	1077	677	Urea dosing valve (low side power stage): the current drain measured by ECU is above the target range	Fault in the wiring	Threshold for error detection is an internal ECU threshold See substitute function Check the wiring
3361	3	1078	677	Urea dosing valve (high side power stage): the current drain measured by ECU is above the target range	Fault in the wiring	Threshold for error detection is an internal ECU threshold Check the wiring
3361	4	1079	677	Urea dosing valve (low side power stage): the current drain measured by ECU is above the target range	Fault in the wiring	Check the wiring
3361	4	1080	677	Urea dosing valve (high side power stage): the current drain measured by ECU is above the target range	Fault in the wiring	Threshold for error detection is an internal ECU threshold Check the wiring
3361	6	1075	677	Urea dosing valve: the current measured value by ECU at the end of the injection is too high	Fault in the wiring Defect urea dosing injection valve	Check wiring Check the urea dosing injection valve
3519	3	1898	277	The integrated diagnostic of the temperature sensor of the Urea Quality Sensor recognized a short circuit to battery. The UQS Sensor is a combined sensor of tank temperature, filling grade and DEF quality and it is also an CAN sensor --> no PIN	Wrong diagnostic of the short circuits logic inside the temperature sensor of the UQS CAN Communication corrupted	Check the wiring to the suction unit in the DEF tank. Check the CAN bus communication of the suction unit. In case the communication is corrupt, exchange the suction unit.
3519	4	1899	277	The integrated diagnostic of the temperature sensor of the Urea Quality Sensor recognized a short circuit to ground	DEF quality sensor in the suction unit of the DEF tank is defect CAN Communication corrupted	Check the wiring to the suction unit of the DEF tank. Check the CAN bus communication from the suction unit. In case the signal is corrupt, exchange the suction unit in the DEF tank.

Table 3-15. Deutz Engine Fault Codes

SPN	FMI	Deutz Code	Blink Code	Description	Possible Cause	Action
3519	12	1895	277	The integrated temperature sensor of the Urea Quality Sensor measures higher temperature than threshold	Temperature sensor inside the UQS defect. CAN Communication corrupted. Overheating of the DEF tank due to malfunction of the heating valve. Flow direction of coolant is wrong due to mixed up the hoses routed to the heating valve. Overheating of the DEF tank due to heat transfer from neighbor parts.	Check the temperature sensor signal for plausibility. In case of improper signal, exchange the suction unit in the tank. Check CAN bus communication for proper signal. In case of improper signal, exchange the suction unit in the tank. Check the function of heating valve and routing of the hoses. The coolant flow through the heating valve must be observed according to the shown arrow. In case all actions above are OK, check the real temperature in the DEF tank during worst case condition and improve the installation of the DEF tank.
3519	13	1908	277	Temperature at UQS out of range the specified thresholds; invalid quality of the temperature	Suspected Components Tank heater DEF sensor	Check temperature system and/or DEF quality sensor
3520	2	1904	2-7-8	Measured DEF Quality from UQS is too low. Quality value received from UQS is < 22 % for a certain time and a certain number of for measuring conditions not observed for a certain time.	Suspected components: Urea quality sensor defect Wrong installation (measuring air) Urea level sensor defect Non urea filled in tank CANBUS problems Evaluation conditions for new quality check not fulfilled after one previous mal detection	Check that there is liquid urea of known quality in the tank first Check urea tank level. Add urea until level is at least 10 cm above sensor. Ensure that urea is not frozen / sufficient urea is liquid Check Sensor: Are urea tank temperature and level displayed? Changes the level if you refill urea? Check electrical connection Check CANBus New quality detection is carried out if urea refill is detected or if a quality evaluation was triggered and was not finished successfully: To provoke a quality measurement: refill urea, at least 10 % of tank volume Wait until quality evaluation was carried out, can take up to 30 minutes => check value. It should be about 33% Exchange quality sensor
3520	3	1896	278	The integrated diagnostic of the Urea Quality Sensor recognized a short circuit to battery	wiring harness of UQS corrupted CAN Communication corrupted	Threshold for error detection is an internal ECU threshold. Check the wiring harness from the ECU to the suction unit of the DEF tank Check the CAN bus communication. If the signal is corrupt, then exchange the suction unit.

SECTION 3 - CHASSIS & TURNTABLE

Table 3-15. Deutz Engine Fault Codes

SPN	FMI	Deutz Code	Blink Code	Description	Possible Cause	Action
3520	4	1897	278	The integrated diagnostic of the Urea Quality Sensor recognized a short circuit to ground.	wiring harness to the suction unit in the DEF tank is corrupted CAN Communication corrupted	Threshold for error detection is an internal ECU threshold. Check the wiring to the suction unit in the DEF tank. Check the CAN bus communication. In case the communication is corrupt, exchange the suction unit in the DEF tank.
3520	13	1907	278	Urea quality at UQS out of range the specified thresholds; invalid quality of the urea quality	Suspected components DEF quality sensor DEF	Check DEF quality and/or DEF quality sensor
3532	3	1911	127	The urea quality value from the sensor is greater than the maximum physical range threshold Comment: tank temperature is measured by the UQS sensor	Suspected Components: UQS defect	Check DEF quality and/or sensor.
3532	4	1912	127	The urea quality value from the sensor is lower than the minimum physical range threshold.	Suspected Components: UQS defect	Check DEF quality and/or Sensor.
3711	12	1455	711	Temperature Phy_tPFWgh, the weighted DPF temperature < Threshold 1 Temperature Phy_tPFWgh, the weighted DPF temperature > Threshold 2 towards the end of the stand-still main phase.	temperature Phy_tPFWgh, the weighted DPF temperature, is below or above the target temperature towards the end of the stand-still main phase.	Check temperature upstream DOC Exh_tSensOxiCatUs within Stand-still: > 450 °C? If not: => Check air path of engine: EGR-Valve, Intake-Throttle, Turbocharger and Piping each for leakage and correct function Check temperature difference across DOC by Exh_tSensOxiCatDs - Exh_tSensOxiCatUs within Stand-still: < 100°C? If not: Check exhaust pipe downstream turbo charger for oil? check injectors: is an injector got stuck? Too many hydrocarbons in exhaust? White smoke (at hot EAT system, not at cold start)? Check air path of engine: EGR-Valve, Intake-Throttle, Turbocharger and Piping each for leakage and correct function Check exhaust gas temperature sensors within EAT-system: T upstream DOCC, T downstream DOC & T upstream SCR catalyst all three of them can influence Phy_tPFWgh

Table 3-15. Deutz Engine Fault Codes

SPN	FMI	Deutz Code	Blink Code	Description	Possible Cause	Action
3936	14	1917	2-8-6	Standstill escalation by time. In case the standstill request will not be released within 50 h by the driver this fault code will be set.	Stand-still request ignored by the operator. Display / stand-still request lamp broken.	Perform Stand-still. If soot load level of DPF has increased too high already call service to perform stand-still. In case the DPF soot load level remove DPF => Exchange DPF.
4334	0	1122	665	The absolute pressure value of the urea pump is greater than an applicable maximal filtered pressure threshold	Suspected Components: Urea pump defect Supply module pressure sensor defect Pump contains dirty parts	Check the urea pump Check the supply module pressure sensor Clean the urea pump (filter)
4334	1	1123	665	Urea supply module pressure sensor: The absolute pressure value of the urea pump is less than an applicable minimal filtered pressure threshold	Check the urea pump Check the supply module pressure sensor Clean the urea pump (filter)	Check the urea pump Check the supply module pressure sensor Clean the urea pump (filter)
4334	2	1866	665	absolute difference of sensed urea pump pressure (SCR_pAbsSensUPmpP) and ambient pressure (EnvP_p) > limit $abs(UPmpP_pDiffPmpEnv_mp) > UPmpP_pDiffPmpEnv_C$ (250 hPa)	absolute difference of sensed urea pump pressure (SCR_pAbsSensUPmpP) and ambient pressure (EnvP_p) > limit $abs(UPmpP_pDiffPmpEnv_mp) > UPmpP_pDiffPmpEnv_C$	Check environment pressure sensor (EnvP_p) => plausible value? Engine shut-off and immediately re-started? => Shut-off again. Wait until after run of ECU has finished, re-Start engine Back-flow line free? Does the urea pump pressure show values < 1000 hPa in SCR state emptying (64)? Check revision valve => Does the urea pump pressure show values < 1000 hPa in SCR state emptying (64)? => exchange supply module Supply module pressure sensor defect => exchange supply module
4341	3	1104	675	Urea heater supply line: the current drain measured by ECU is above the target range	electrical error	Threshold for error detection is an internal ECU threshold Check wire harness Check supply line
4341	4	1105	675	Urea heater supply line: the current drain measured by ECU is above the target range	electrical error	Threshold for error detection is an internal ECU threshold Check wire harness Check supply line
4341	5	1102	675	Urea heater supply line: the current drain measured by ECU is above the target range	electrical error	Threshold for error detection is an internal ECU threshold Check wire harness Check supply line
4343	3	1096	673	Urea pressure line heater: the current drain measured by ECU is above the target range	shortcut to battery If this error detected during the heating phase is a result error: KWP 1089 broken heating element in pressure line	Threshold for error detection is an internal ECU threshold Check wiring Check heating element

SECTION 3 - CHASSIS & TURNTABLE

Table 3-15. Deutz Engine Fault Codes

SPN	FMI	Deutz Code	Blink Code	Description	Possible Cause	Action
4343	4	1097	673	Urea pressure line heater: the current drain measured by ECU is above the target range	<p>Shortcut to ground</p> <p>If this error detected during the heating phase is a result error: KWP 1089</p> <p>Short cut to ground or broken wiring, broken heating element in pressure line</p>	<p>Threshold for error detection is an internal ECU threshold</p> <p>Check wiring</p> <p>Check heating element</p>
4343	5	1094	673	Urea pressure line heater: the current drain measured by ECU is above the target range	<p>Open load</p> <p>If this error detected during the heating phase is a result error: KWP 1089</p> <p>Broken wiring, broken heating element in pressure line</p>	<p>Threshold for error detection is an internal ECU threshold</p> <p>Check wiring</p> <p>Check heating element</p>
4345	3	1092	674	Urea backflow line heater: the current drain measured by ECU is above the target range	<p>Shortcut to battery</p> <p>If this error detected during the heating phase is a result error: KWP 1089</p> <p>Short cut to battery or broken wiring, broken heating element in backflow line</p>	<p>Threshold for error detection is an internal ECU threshold</p> <p>Check wiring</p> <p>Check heating element</p>
4345	4	1093	674	Urea backflow line heater: the current drain measured by ECU is above the target range	<p>Shortcut to ground</p> <p>If this error detected during the heating phase is a result error: KWP 1089</p> <p>Short cut to ground or broken wiring, broken heating element in backflow line</p>	<p>Threshold for error detection is an internal ECU threshold</p> <p>Check wiring</p> <p>Check heating element</p>
4345	5	1090	674	Urea backflow line heater: the current drain measured by ECU is above the target range	<p>Open load</p> <p>If this error detected during the heating phase is a result error: KWP 1089</p> <p>Broken wiring, broken heating element in back-flow line</p>	<p>Threshold for error detection is an internal ECU threshold</p> <p>Check wiring</p> <p>Check heating element</p>
4360	0	1069	668	The filtered urea cat upstream temperature is greater than an applicable maximum temperature threshold	Sensed temperature upstream SCR > physical high limit	<p>Check temperature difference across DOC (Exh_tOxiCatDs-Exh_TOxiCatUs) at higher engine load => high difference > 100 K?</p> <p>If yes, the engine emits too many Hydrocarbons => check injectors: is an injector got stuck?</p> <p>=> Check EGR Valve</p> <p>If difference normal the exhaust out of the engine itself is too hot:</p> <p>=> Check air path of engine: EGR-Valve, Intake-Throttle, Turbocharger and Piping each for leakage and correct function</p> <p>If that error was set while stand-still operation the error source could be exothermal soot burn off in DPF (which should not happen)</p> <p>=> Dismount DPF and check it visually</p> <p>exchange temperature sensor upstream SCR</p>

Table 3-15. Deutz Engine Fault Codes

SPN	FMI	Deutz Code	Blink Code	Description	Possible Cause	Action
4360	1	1070	668	The filtered temperature before urea cat is less than an applicable minimum temperature threshold	Sensed temperature upstream SCR catalyst < than physical low limit	Cold start and ambient temperature < Threshold? Missdetection? Check wiring harness to UCatUsT-sensor Exchange UCatUsT-sensor
4360	2	1865	668	Error at static plausibility check: absolute temperature difference of sensed temperature upstream SCR catalyst and ambient temperature > as static plausibility limit at engine cold start (engine was off for at least 8 h), temperature upstream of SCR catalyst is expected to be identical to ambient temperature => see enable conditions for details. Error at dynamic plausibility check: temperature difference of sensed temperature upstream SCR catalyst and ambient temperature < as dynamic plausibility limit dynamic check is blocked if static plausibility check is already faulty => Temperature upstream SCR catalyst must be by 40°C higher than ambient temperature if engine runs and a certain delay time has expired.	Error at static plausibility check: absolute temperature difference of sensed temperature upstream SCR catalyst and ambient temperature > as static plausibility limit at engine cold start (engine was off for at least 8 h), temperature upstream of SCR catalyst is expected to be identical to ambient temperature => see enable conditions for details. Error at dynamic plausibility check: temperature difference of sensed temperature upstream SCR catalyst and ambient temperature < as dynamic plausibility limit dynamic check is blocked if static plausibility check is already faulty => Temperature upstream SCR catalyst must be by 40°C higher than ambient temperature if engine runs and a certain delay time has expired.	Check whether temperature sensor upstream of SCR catalyst is physically mounted within exhaust pipe If cold start condition can be made sure (engine was off for at least 8 h) compare values of EnvT_t, EngDa_tEng, Exh_tOxiCatUs, Exh_tOxiCatDs and SCR_tSensUCatUsT at ignition on, without starting the engine. All identical? Compare values of Exh_tOxiCatUs, Exh_tOxiCatDs and SCR_tSensUCatUsT after 15 min in constant operation point: show all similar values (30 K tolerance width). Are ambient temperature and (EnvT_t), cooling water temperature (EngDa_tEng) plausible? Sensor coated with urea crystals? Dismount urea injector and inspect temperature sensor upstream SCR catalyst visually Check wiring of sensor Replace sensor
4361	3	1072	668	Urea catalyst upstream temperature sensor: the voltage of sensor measured by ECU is out of the target range	Voltage of temperature sensor upstream SCR catalyst > maximum limit Short circuit to battery	Check sensor Check wiring Replace UCatUsT-sensor
4361	4	1073	668	Urea catalyst upstream temperature sensor: the voltage of sensor measured by ECU is out of the target range	Voltage of temperature sensor upstream SCR catalyst < minimum limit Short circuit to ground	Check sensor Check wiring Replace UCatUsT-sensor
4365	2	1137	6-6-9	Signal error in case of Urea tank temperature transmitted via CAN-signal Com_tUTnkT.	CAN message is not send properly.	Check sensor connector Check CANbus
4365	3	1138	6-6-9	Urea tank temperature sensor: the current drain measured by ECU is above the target range.	Shortcut or open load.	Threshold for error detection is an internal ECU threshold. The Sensed raw voltage value SCR_uRawUTnkT is below SCR_SRCUTnkT.uMax_C. Check wiring.
4365	3	1914	669	Internal error of DEF quality sensor.	Suspected components: DEF quality sensor Wiring harness	Check wiring harness and DEF quality sensor

SECTION 3 - CHASSIS & TURNTABLE

Table 3-15. Deutz Engine Fault Codes

SPN	FMI	Deutz Code	Blink Code	Description	Possible Cause	Action
4365	4	1139	6-6-9	Urea tank temperature sensor: the current drain measured by ECU is above the target range.	Shortcut or open load.	Threshold for error detection is an internal ECU threshold. The sensed raw voltage value SCR_uRawUTnkT is above SCR_SRCUTnkT.uMin_C. Check wiring.
4365	4	1915	6-6-9	Internal error of DEF quality sensor.	Suspected components: DEF quality sensor Wiring harness	Check wiring harness and DEF quality sensor
4366	3	1112	671	Urea tank heating valve: the current drain measured by ECU is above the target range	Shortcut to battery If this error detected during the heating phase is a result error: KWP 1089 Broken wiring Urea tank heating valve defect	Threshold for error detection is an internal ECU threshold Check wiring Check urea tank heating valve
4366	4	1113	671	Urea tank heating valve: the current drain measured by ECU is above the target range	Shortcut to ground If this error detected during the heating phase is a result error: KWP 1089 Broken wiring Urea tank heating valve defect	Threshold for error detection is an internal ECU threshold Check wiring Check urea tank heating valve
4366	5	1110	671	Urea tank heating valve: the current drain measured by ECU is above the target range	Open load If this error detected during the heating phase is a result error: KWP 1089 Broken wiring Urea tank heating valve defect	Threshold for error detection is an internal ECU threshold Check wiring Check urea tank heating valve
4375	3	1120	666	Urea supply module pump: the current drain measured by ECU is above the target range	Shortcut to battery If this error detected during the heating phase is a result error: KWP 1089 Broken wiring Pump in urea supply module defect	Threshold for error detection is an internal ECU threshold The hardware detects absence of any short circuit to battery on the PWM output power stage for the urea pump module actuator Check wiring Check pump in the urea supply module
4375	4	1121	666	Urea supply module pump: the current drain measured by ECU is above the target range	Shortcut to ground If this error detected during the heating phase is a result error: KWP 1089 Broken wiring Pump in urea supply module defect	Threshold for error detection is an internal ECU threshold The hardware detects a short circuit to ground error on the PWM output power stage for the Urea Pump Module Motor Actuator. The error is updated by setting bit 1 of measuring point UPmp-Mot_stPrevTstRslt_mp Check wiring Check pump in the urea supply module

Table 3-15. Deutz Engine Fault Codes

SPN	FMI	Deutz Code	Blink Code	Description	Possible Cause	Action
4375	5	1118	666	Urea supply module pump: the ECU can not measure any reaction during pump control	Open load Broken wiring Pump in urea supply module defect	Threshold for error detection is an internal ECU threshold The hardware detects the presence of load on the PWM output power stage for the urea pump module actuator. Check wiring Check pump in the urea supply module
4376	3	1131	667	Urea supply module reversal valve: the current drain measured by ECU is above the tar- get range	Shortcut to battery Fault in the wiring Reversal valve in the urea supply module defect	Threshold for error detection is an internal ECU threshold Check wiring Check urea supply module
4376	4	1132	667	Urea supply module reversal valve: the current drain measured by ECU is above the tar- get range	Shortcut to ground Fault in the wiring Reversal valve in the urea supply module defect	Threshold for error detection is an internal ECU threshold Check wiring Check urea supply module
4376	5	1129	667	Urea supply module reversal valve: the current drain measured by ECU is above the tar- get range	Open load Fault in the wiring Reversal valve in the urea supply module defect	Threshold for error detection is an internal ECU threshold Check wiring Check urea supply module
4765	0	1039	683	The exhaust temperature value from the sensor before DOC is above an applicable upper shutoff threshold TOxiCatUs_tShOffThresHiAds_C = Threshold 1 in Normal and Heatmodes (TOxiCatUs_tShOffThresHiRgn_C = Threshold 2 in stand-still)	sensed temperature upstream DOC > shut-off limit	Check air path of engine: EGR-Valve, Intake-Throttle, Check Turbocharger and Piping each for leakage and correct function Check injectors: is an injector got stuck? Exchange temperature sensor upstream DOC
4765	0	1040	683	The exhaust temperature value from the sensor before DOC is above an applicable upper warning threshold TOxiCatUs_tWarnThresHi_C = Threshold	Sensed temperature upstream DOC > warning limit	Check air path of engine: EGR-Valve, Intake-Throttle, Turbocharger and Piping each for leakage and correct function Check injectors: is an injector got stuck? Exchange temperature sensor upstream DOC

Table 3-15. Deutz Engine Fault Codes

SPN	FMI	Deutz Code	Blink Code	Description	Possible Cause	Action
4768	2	1036	683	<p>Static plausibility check: The exhaust temperature value from the sensor before DOC, the exhaust temperature value from the sensor after DOC, the temperature value from the sensor before SCR-Cat, the environment temperature and the coolant engine temperature their ratios to each other exceed their related thresh- olds.</p> <p>Dynamic plausibility check with environment temperature sensor value: The exhaust temperature value from the sensor before DOC is lower than an applicable environment temperature threshold</p>	<p>Static plausibility check: The exhaust temperature value from the sensor before DOC, the exhaust temperature value from the sensor after DOC, the temperature value from the sensor before SCR-Cat, the environment temperature and the coolant engine temperature their ratios to each other exceed their related thresholds. (difference between temperature after DOC and temperature before DOC > Threshold 1 difference between temperature before DOC and before SCR > Threshold 2 difference between temperature after DOC and before SCR < Threshold 3 difference between temperature after DOC and ambient temperature < Threshold 4 difference between temperature ambient temperature and engine temperature < Threshold 5)</p> <p>Dynamic plausibility check with environment temperature sensor value: The exhaust temperature value from the sensor before DOC is lower than an applicable environment temperature threshold (< environmental temperature + Threshold 6)</p>	<p>Check ambient temperature => value plausible? upstream DOC sensor mounted within exhaust line? T upstream DOC sensor physically mounted in correct position upstream DOC? (not upstream SCR or downstream DOC?) Check T upstream DOC sensor Check other T-sensors within EAT-system (Exh_tOxiCatDs & UCatUsT_tFlt_mp show plausible values? No errors on them?</p>

Table 3-15. Deutz Engine Fault Codes

SPN	FMI	Deutz Code	Blink Code	Description	Possible Cause	Action
4768	2	1881	683	At engine cold start conditions the sensed exhaust gas temperature downstream DOC (Exh_tSensTOxiCatDs) has exceeded the sum of ambient temperature (EnvT_t) + offset (40°C) earlier than the sensed exhaust gas temperature upstream of DOC (Exh_tSensTOxiCatUs). The check is only performed once each ignition cycle and only if the start is judged a cold start. Error status is frozen for that ignition cycle. No healing possible.	Difference temperature of exhaust gas temperature downstream DOC and fixed ambient temperature at ignition on exceeds a certain limit earlier than the difference temperature of exhaust gas temperature upstream DOC and fixed ambient temperature at ignition on.	Check whether all exhaust gas temperature sensors within the EAT system are mounted properly: Within the exhaust line and at correct positions. Check the position of the sensor upstream SCR which might be physically mounted in the wrong position. If cold start condition can be made sure (engine was off for at least 8 h) compare values of EnvT_t, EngDa_tEng, Exh_TOxiCatUs, Exh_tOxiCatDs and SCR_tSensUCatUsT at ignition on, without starting the engine. All identical? Then the sensors itself are okay. Check exhaust piping for leakage. Check wiring of sensors Replace sensors Check DOC => physically intact?
4768	3	1044	683	Oxidation catalyst upstream temperature sensor: the voltage of sensor measured by ECU is out of the target range	The sensed raw voltage value Exh_uRawTOxiCatUs is above Exh_SRCTOxiCatUs.uMax_C Shortcut to battery	Check wiring harness to temperature sensor upstream DOC Exchange temperature sensor upstream DOC
4768	4	1045	683	Oxidation catalyst upstream temperature sensor: the voltage of sensor measured by ECU is out of the target range	The sensed raw voltage value Exh_uRawTOxiCatUs is below Exh_SRCTOxiCatUs.uMin_C Shortcut to ground	Check wiring harness to temperature sensor upstream DOC Exchange temperature sensor upstream DOC
5763	3	1024	594	Actuator of the external EGR valve: the ECU detects a short circuit to battery or open load.	Short cut to battery or open loop.	Check cabling, actuator defect, check actuator and if necessary replace it, check connection cable and if necessary repair or replace it.
5763	3	1226	594	Actuator EGR-valve: short cut to battery is detected	Short-Circuit to battery on component wiring	Threshold for error detection is an internal ECU threshold. Check wiring, component, ECU Check repair with SerDia 2010 use case
5763	3	1227	594	Actuator EGR-valve: short cut to battery on ECU pin is detected	Short-Circuit to battery on component wiring	Threshold for error detection is an internal ECU threshold. Check wiring, component, ECU Check repair with SerDia 2010 use case
5763	4	1025	594	Actuator of the external EGR valve: the ECU detects a short circuit to ground.	Short cut to ground	Check cabling, actuator defect, check actuator and if necessary replace it, check connection cable and if necessary repair or replace it.

Table 3-15. Deutz Engine Fault Codes

SPN	FMI	Deutz Code	Blink Code	Description	Possible Cause	Action
5763	4	1228	594	Actuator EGR-valve: short cut to ground on ECU pin is detected	Short-Circuit to ground on component wiring	Threshold for error detection is an internal ECU threshold. Check wiring, component, ECU Check repair with SerDia 2010 use case
5763	4	1229	594	Actuator EGR-valve: short cut to battery on ECU pin is detected	Short-Circuit to ground on component	Threshold for error detection is an internal ECU threshold. Check wiring, component, ECU Check repair with SerDia 2010 use case
5763	4	1232	5-9-4	Actuator error EGR-Valve (2.9;3.6) or Throttle-Valve (4.1;6.1;7.8); Voltage below threshold 3.6) Drosselklappe (4.1;6.1;7.8); Voltage below threshold;	Monitoring for CY146 Under Voltage.	Threshold for error detection is an internal ECU threshold. Check wiring, component
5763	5	1023	5-9-4	Actuator error EGR-Valve; signal range check low, measured current is below target	Short circuit to ground.	Check wiring, check cables and repair or replace if necessary, check actuator with SERDIA 2010 test for EGR and if necessary replace it.
5763	6	1014	594	Actuator error EGR-Valve. Signal range check high.	Short cut to battery.	Check wiring and repair or replace if necessary, check actuator with SERDIA test for EGR and if necessary replace it.
5763	6	1022	5-9-4	Actuator error EGR-Valve; signal range check high, measured current by ECU is over target	Short circuit to battery or open circuit.	Check cabling, actuator defect, check actuator and if necessary replace it, check connection cable and if necessary repair or replace it.
5763	6	1223	594	Actuator EGR-Valve: Open load on ECU output is detected	Open circuit on component wiring	Threshold for error detection is an internal ECU threshold. Check wiring, component, ECU Check repair with SerDia 2010 use case
5763	6	1224	594	Actuator EGR-valve: too high current is going into the actuator. Output is switched off	Overload on component wiring	Threshold for error detection is an internal ECU threshold. Check wiring, component, ECU Check repair with SerDia 2010 use case
5763	6	1230	5-9-4	Actuator error EGR-valve; Overload by short- circuit	Short Circuit over Load	Threshold for error detection is an internal ECU threshold. Check wiring, component
5763	7	1016	594	Actuator position for EGR valve is not plausible, internal error, angular misalignment of the flap.	Position error of throttle flap (deviation > 7%).	Threshold for error detection is an internal ECU threshold. Threshold for error detection, deviation from setpoint > 7%. Troubleshooting with SERDIA 2010 Use Case "EGR Diagnostic".

Table 3-15. Deutz Engine Fault Codes

SPN	FMI	Deutz Code	Blink Code	Description	Possible Cause	Action
5763	11	1231	5-9-4	Power stage overtemperature due to high current.	Temperature dependent Over Current	Threshold for error detection is an internal ECU threshold. Check wiring, component
520521	5	1015	594	Actuator error EGR-Valve. Signal range check low.	Short cut to ground.	Check wiring and repair or replace if necessary, check actuator with SERDIA test for EGR and if necessary replace it.
523009	9	825	253	The pressure relief valve (PRV) has reached the number of allowed activations.	Rail pressure has exceeded the trigger threshold of the pressure limiting valve.	Replace pressure relief valve (PRV) and reset fault with Serdia.
523009	10	833	2-5-3	The pressure relief valve (PRV) has reached the allowed opening time.	Rail pressure has exceeded the trigger threshold of the pressure limiting valve.	Replace pressure relief valve (PRV) and reset fault with Serdia.
523212	9	171	3-3-3	Timeout Error of CAN-Receive-Frame Com Eng Prt; Engine Protection	Timeout Error (Missing CAN Bus message)	Check wiring harness and customer devices
523240	9	179	527	Timeout CAN-message FunModCtl; Function Mode Control	Timeout Error (Missing CAN Bus message)	Check CAN Bus cabling (Bus scheduling, polarity, short circuit, power interrupt), test protocol of receiver, check CAN functional range.
523350	4	565	151	Injector cylinder bank 1: the current drop measured by ECU is above the target range	Short circuit injection bank 1 (all injectors of this bank can be affected)	Threshold for error detection is an internal ECU threshold. Check wiring harness, injectors and if necessary repair/replace it.
523352	4	566	152	Injector cylinder bank 2: the current drop measured by ECU is above the target range	Short circuit injection bank 2 (all injectors of this bank can be affected)	Threshold for error detection is an internal ECU threshold. Check wiring harness, injectors and if necessary repair/replace it.
523354	12	567	153	Internal hardware monitoring: the ECU detects an error of its injector high current output. Chip of CY33x defect power stage components	Defective powerstage in ECU	Threshold for error detection is an internal ECU threshold. If error is not removable, change ECU.
523450	4	839	1-4-3	Diagnostic fault check for min error of COM message.	The sensed raw value is less than the threshold.	Check cabling, check sensor and if necessary replace it, check connection cable and if necessary repair or replace it.
523470	2	826	146	The pressure relief valve (PRV) has been opened due to excessive pressure.	Rail pressure has exceeded the trigger threshold of the pressure limiting valve.	Threshold for error detection is an internal ECU threshold. Reset the fault and at reappearance check injection system.

SECTION 3 - CHASSIS & TURNTABLE

Table 3-15. Deutz Engine Fault Codes

SPN	FMI	Deutz Code	Blink Code	Description	Possible Cause	Action
523470	2	827	146	The pressure relief valve (PRV) has been opened due to excessive pressure.	Rail pressure has exceeded the trigger threshold of the pressure limiting valve.	Threshold for error detection is an internal ECU threshold. Reset the fault and at reappearance check injection system.
523470	7	876	146	Rail pressure is out of the expected average range.	Rail pressure is out of the expected average range. PRV can not be opened.	(A) Check rail pressure relief valve and replace if necessary. (B) Check high pressure pumps, pressure relief valve and metering unit. (C) Change components if necessary
523470	11	831	146	Rail pressure relief valve can not be opened due to the rail pressure.	Rail pressure out of tolerance range (PRV can not be opened by a pressure peak in this operating point)	Threshold for error detection is an internal ECU threshold. Check rail pressure, check rail pressure sensor for plausibility, check FCU.
523470	11	832	146	Rail pressure is out of the expected average range. The PRV can not be opened at this operating point with a pressure shock.	Averaged rail pressure is outside the expected tolerance range.	Threshold for error detection is an internal ECU threshold. Check PRV and replace if necessary.
523470	12	828	146	Rail pressure relief valve: is open. Shutoff conditions.	Shut Off after PRV Open	Threshold for error detection is an internal ECU threshold. Check PRV opening counter and if necessary replace PRV, check rail-pressure sensor for plausibility and if necessary replace it, check FCU and if necessary replace it.
523470	12	829	146	Rail pressure relief valve is open. Warning conditions.	Warning PRV open	Threshold for error detection is an internal ECU threshold. Check PRV opening counter and if necessary replace PRV, check rail-pressure sensor for plausibility and if necessary replace it, check FCU and if necessary replace it.
523470	14	830	146	Rail pressure relief valve is open. (PRV)	Open PRV	Threshold for error detection is an internal ECU threshold. Only after ECU reset. Check PRV opening counter and if necessary replace it, check rail-pressure sensor for plausibility and if necessary replace it, check FCU and if necessary replace it.

Table 3-15. Deutz Engine Fault Codes

SPN	FMI	Deutz Code	Blink Code	Description	Possible Cause	Action
523550	12	980	515	Terminal 50 was operated for more than 2 minutes. This may happen due to short to battery or wrong usage of Terminal 50. Starter control is disabled until this error is healed.	Start information to Starter (T50-switch) erratic/defect.	Threshold for error detection is an internal ECU threshold. Check cabling, if sensor not working, check start switch and if necessary replace it, check connection cable and if necessary repair or replace it.
523601	13	948	282	Internal hardware monitoring: the ECU detects a deviation of the target range of the power supply voltage of sensor output 3.	Suspected components EDC17cv52 Pin A18: DeltaPressVenturi / Position intake throttle flap Pin K20: First footpedal Pin K21: Air FilterDiffPress Suspected components EDC17cv54 and cv56 Pin A07: Rail pressure	Check cabling of external components, check working voltage and if necessary correct it, check connection cable and if necessary repair or replace it, if error is not removable, change ECU.
523612	3	644	555	supply voltage too high	not used	Threshold for error detection is an internal ECU threshold.
523612	4	646	555	supply voltage too low	not used	Threshold for error detection is an internal ECU threshold.
523612	12	387	555	Internal hardware monitoring: the CPU of the ECU is reset and the cause is logged internally; no item will be created in error memory	Injector shut off demand for the ICO coordinator System responses: not	Threshold for error detection is an internal ECU threshold. Caution! Sequence error, check error memory for other errors.
523612	12	612	555	Internal hardware monitoring: the CPU of the ECU is reset and the cause is logged internally; no item will be created in error memory.	Plausibility check failed (MoCADC_uNTP_mp is higher than MoCADC_uNTPMax_C).	Threshold for error detection is an internal ECU threshold. If error is still present, exchange ECU.
523612	12	613	555	Internal hardware monitoring: the CPU of the ECU is reset and the cause is logged internally; no item will be created in error memory	Analysis of test voltage (Value is out of the target -> ECU internal error)	Threshold for error detection is an internal ECU threshold. Check wiring, check connected sensors actuators. If error is still present, exchange ECU.
523612	12	614	555	Internal hardware monitoring: the CPU of the ECU is reset and the cause is logged internally; no item will be created in error memory	Analysis of the ratio metric correction (Value is out of the target -> ECU internal error)	Threshold for error detection is an internal ECU threshold. Check wiring, check connected sensors actuators. If error is still present, exchange ECU.
523612	12	615	555	Internal hardware monitoring: the CPU of the ECU is reset and the cause is logged internally; no item will be created in error memory	Error report due to an error in the plausibility of Function Coordination(FC) and Monitoring Modul(MM)(ECU internal error)	Threshold for error detection is an internal ECU threshold. If error is still present, exchange ECU.

Table 3-15. Deutz Engine Fault Codes

SPN	FMI	Deutz Code	Blink Code	Description	Possible Cause	Action
523612	12	616	555	Internal hardware monitoring; the CPU of the ECU is reset and the cause is logged internally; no item will be created in error memory	Error report due to an interrupted SPI communication (ECU internal error)	Threshold for error detection is an internal ECU threshold. If error is still present, exchange ECU.
523612	12	617	555	Internal hardware monitoring; the CPU of the ECU is reset and the cause is logged internally; no item will be created in error memory	multiple error in complete ROM-test during postdrive detected (ECU internal error)	Threshold for error detection is an internal ECU threshold. If error is still present, exchange ECU.
523612	12	618	555	Internal hardware monitoring; the CPU of the ECU is reset and the cause is logged internally; no item will be created in error memory	Too less bytes received by monitoring memory from CPU as response (ECU internal error). Loss of synchronization sending bytes to the monitoring memory from CPU	Threshold for error detection is an internal ECU threshold. If error is still present, exchange ECU.
523612	12	619	555	Internal hardware monitoring; the CPU of the ECU is reset and the cause is logged internally; no item will be created in error memory	Suspected components: Injector ECU wiring harness/connector	Threshold for error detection is an internal ECU threshold. If error is still present, exchange ECU.
523612	12	620	555	Internal hardware monitoring; the CPU of the ECU is reset and the cause is logged internally; no item will be created in error memory	Error trying to set MM Response time (ECU internal error)	Threshold for error detection is an internal ECU threshold. If error is still present, exchange ECU.
523612	12	621	555	Internal hardware monitoring; the CPU of the ECU is reset and the cause is logged internally; no item will be created in error memory	Error detected in the internal ECU communication, Too many SPI errors during MoCSOP execution	Threshold for error detection is an internal ECU threshold. If error is still present, exchange ECU.
523612	12	623	555	Internal hardware monitoring; the CPU of the ECU is reset and the cause is logged internally; no item will be created in error memory	Error in the check of the shut-off path test of the under voltage detection (ECU internal error). Diagnostic fault check to report the error in undervoltage monitoring	Threshold for error detection is an internal ECU threshold. If error is still present, exchange ECU.
523612	12	624	555	Internal hardware monitoring; the CPU of the ECU is reset and the cause is logged internally; no item will be created in error memory	Error in the check of the shut-off path of the monitoring module (ECU internal error).	Threshold for error detection is an internal ECU threshold. If error is still present, exchange ECU.
523612	12	625	555	Internal hardware monitoring; the CPU of the ECU is reset and the cause is logged internally; no item will be created in error memory	Time out error trying to set or cancelling the alarm task (ECU internal error). Failure setting the alarm task period	Threshold for error detection is an internal ECU threshold. If error is still present, exchange ECU.
523612	12	627	555	Internal hardware monitoring; the CPU of the ECU is reset and the cause is logged internally; no item will be created in error memory	Error in time monitoring of the shut-off path test (ECU internal error). Diagnostic fault check to report the timeout in the shut off path test	Threshold for error detection is an internal ECU threshold. If error is still present, exchange ECU.

Table 3-15. Deutz Engine Fault Codes

SPN	FMI	Deutz Code	Blink Code	Description	Possible Cause	Action
523612	12	628	555	Internal hardware monitoring: the CPU of the ECU is reset and the cause is logged internally; no item will be created in error memory	Error in the check of the shut-off path test of the over voltage detection (ECU internal error). Diagnostic fault check to report the error in overvoltage monitoring	Threshold for error detection is an internal ECU threshold. If error is still present, exchange ECU.
523612	12	629	555	The two voltage values (ADC_VAL1, ADC_VAL2), detected by the accelerator pedal, are not plausible to each other.	Defect pedal or wiring	Threshold for error detection is an internal ECU threshold. Check Pedal, repair or exchange the Pedal. Check wiring. If error is still present, exchange ECU.
523612	12	630	555	Impermissible offset between the engine speed of level 2 and level 1	Calculated engine speed in level 1/2 implausible (-> ECU internal error).	Threshold for error detection is an internal ECU threshold. If error is still present, exchange ECU.
523612	12	631	555	Diagnostic fault check to report the plausibility error between level 1 energizing time and level 2 information	Implausible injection energizing time for either Pilx or MI1 or Polx.	Threshold for error detection is an internal ECU threshold. If error is still present, exchange ECU.
523612	12	632	555	Error in the plausibility of the start of energising angles	Implausible start of energising of either Pilx or MI1 or Polx.	Threshold for error detection is an internal ECU threshold. If error is still present, exchange ECU.
523612	12	633	555	Error in the plausibility of the energising times of the zero fuel quantity calibration	The energising times of the zero fuel quantity calibration ZFC is out of the target. (-> ECU internal error)	Threshold for error detection is an internal ECU threshold. If error is still present, exchange ECU.
523612	12	634	555	Error in the plausibility of Pol2 efficiency.	Error in the plausibility of Pol2 efficiency.	Threshold for error detection is an internal ECU threshold. If error is still present, exchange ECU.
523612	12	635	555	Error in the Pol2 shut-off.	Error in the Pol2 shut-off.	Threshold for error detection is an internal ECU threshold. If error is still present, exchange ECU.
523612	12	636	555	Error in the plausibility of Pol3 efficiency.	Error in the plausibility of Pol3 efficiency.	Threshold for error detection is an internal ECU threshold. If error is still present, exchange ECU.
523612	12	637	555	Engine speed: the engine speed calculated by ECU is above the target range; the ECU activates a system reaction	Error in the plausibility of current energising time with maximum permitted energising time. Diagnostic fault check to report the error due to OverRun	Threshold for error detection is an internal ECU threshold. If error is still present, exchange ECU.
523612	12	638	555	Error in the plausibility of the wave correction parts	Error in the plausibility of the wave correction parts	Threshold for error detection is an internal ECU threshold. If error is still present, exchange ECU.

SECTION 3 - CHASSIS & TURNTABLE

Table 3-15. Deutz Engine Fault Codes

SPN	FMI	Deutz Code	Blink Code	Description	Possible Cause	Action
523612	12	639	555	Plausibility error of the Rail pressure sensor	In case the gradient of rail pressure is larger than the max threshold or lesser than the min threshold. Rail metering unit defect. Leakage in the Rail System.	Threshold for error detection is an internal ECU threshold. Check metering unit or cable. Check Rail pressure. Check the Rail System of leakage.
523612	12	640	555	Error in the torque comparison between permissible engine torque and current actual torque	Error in the torque comparison between the permissible inner engine torque and the current plausible actual torque.	Threshold for error detection is an internal ECU threshold. If error is still present, exchange ECU.
523612	12	641	555	Diagnosis of curr path limitation forced by ECU monitoring level 2	The torque comparison is not plausible with the torque monitoring.	Threshold for error detection is an internal ECU threshold. If error is still present, exchange ECU.
523612	12	642	555	Diagnosis of lead path limitation forced by ECU monitoring level 2	The setpoint path of the air system is limited by the limitation torque of the functional control unit monitoring.	Threshold for error detection is an internal ECU threshold. If error is still present, exchange ECU.
523612	12	643	555	Diagnosis of set path limitation forced by ECU monitoring level 2.	If the quantity setpoint exceeds the limit of the torque function.	Threshold for error detection is an internal ECU threshold. If error is still present, exchange ECU.
523612	12	714	555	Error report "WDA wire is active" due to a defect query/response communication	Error detection by monitoring module	Threshold for error detection is an internal ECU threshold. Software reset.
523612	12	715	555	Error report "ABE wire is active" due to undervoltage detection	The reason is that a slow dropping of the vehicle electrical system voltage (defective autobattery) should not lead the ECU OCWDA's diagnose to enter an error in the fault memory due to an undervoltage recognition.	Threshold for error detection is an internal ECU threshold. Software reset.
523612	12	716	555	Error report "ABE wire is active" due to over-voltage detection	If the ABE/WDA powerstage shut-off is active due to an overvoltage detection.	Threshold for error detection is an internal ECU threshold. software reset.
523612	12	717	555	Error report "ABE/WDA active" due to an unknown reason	The reason is that a slow dropping of the vehicle electrical system voltage (defective autobattery) should not lead the ECU OCWDA's diagnose to enter an error in the fault memory due to an undervoltage recognition.	Threshold for error detection is an internal ECU threshold. Software reset.
523612	12	1170	555	Internal hardware monitoring: the CPU of the ECU is reset and the cause is logged internally; no item will be created in error memory	Error during positive test (ECU internal error). Diagnostic fault check to report that the positive test failed	Threshold for error detection is an internal ECU threshold. Reflash ECU. If error is still activ replace ECU.

Table 3-15. Deutz Engine Fault Codes

SPN	FMI	Deutz Code	Blink Code	Description	Possible Cause	Action
523612	12	1857	555	Fault in the monitoring during the engine start. Start requested in level 1, but not released in level 2 which leads to no fuel injection.	wiring is not according DEUTZ requirements engine start conditions are not observed low battery voltage during start malfunction of starter	Threshold for error detection is an internal ECU threshold. check other active errors and fix them. check all needed engine start conditions, e.g. neutral switch. check the engine speed during starting of the engine. If it's too low, then check the battery voltage and then check the starter for malfunction.
523612	14	973	555	Internal hardware monitoring: the CPU of the ECU is reset and the cause is logged internally; no item will be created in error memory.	Visibility of Software resets in DSM	Threshold for error detection is an internal ECU threshold.
523612	14	974	555	Internal hardware monitoring: the CPU of the ECU is reset and the cause is logged internally; no item will be created in error memory.	Visibility of Software resets in DSM	Threshold for error detection is an internal ECU threshold.
523612	14	975	555	Internal hardware monitoring: the CPU of the ECU is reset and the cause is logged internally; no item will be created in error memory	Visibility of Software Resets in DSM	Threshold for error detection is an internal ECU threshold. If possible the software update has to be done. Replace the ECU.
523613	0	856	134	Rail pressure: the fuel pressure in rail calculated by ECU is below the target range which is dependant on the engine speed.	Pressure governor deviation exceeds the limiting value based on the engine speed.	Threshold for error detection is an internal ECU threshold. (A) Check for leakage (B) Check fuel-primary pressure (C) Change components, check sensor and if necessary replace it, check fuel system and if necessary repair it
523613	0	857	134	Rail pressure: the fuel pressure in rail calculated by ECU is below the target range which is dependant on the engine speed.	maximum positive deviation of rail pressure exceeded concerning set flow of fuel.	Threshold for error detection is an internal ECU threshold. (A) Check for leakage (B) Check fuel-primary pressure (C) Change components, check sensor and if necessary replace it, check fuel system and if necessary repair it
523613	0	858	134	Rail pressure: the fuel pressure in rail calculated by ECU is above the target range which is dependant on the engine speed.	leakage is detected based on fuel quantity balance.	Threshold for error detection is an internal ECU threshold. (A) Check backflow pressure (B) Check Injector function with SerDia (C) Change components (metering unit, injector) if necessary

SECTION 3 - CHASSIS & TURNTABLE

Table 3-15. Deutz Engine Fault Codes

SPN	FMI	Deutz Code	Blink Code	Description	Possible Cause	Action
523613	0	859	134	Rail pressure: the fuel pressure in rail calculated by ECU is above the target range which is dependant on the engine speed.	Maximum negative rail pressure deviation with metering unit on lower limit is exceeded.	Threshold for error detection is an internal ECU threshold. (A) Check backflow pressure (B) Check Injector function with SerDia (C) Change components (metering unit, injector) if necessary
523613	0	862	134	Rail pressure: the fuel pressure in rail calculated by ECU is above the target range.	Rail pressure exceeds the limiting value.	(A) Check backflow pressure (B) Check pressure relief valve and metering unit. (C) Change components if necessary
523613	1	861	134	Rail pressure: the fuel pressure in rail calculated by ECU is below the target range which is dependant on the engine speed.	Rail pressure falls below the limiting value based on the engine speed.	Threshold for error detection is an internal ECU threshold. (A) Check backflow pressure (B) Check Injector function with SerDia (C) Change components (metering unit, injector) if necessary
523613	2	864	134	Rail pressure metering unit, Setpoint of metering unit in overrun mode not plausible.	Pressure pump delivery quantity in overrun exceeds the threshold based on the pressure.	Threshold for detection is an internal ECU threshold. (A) Check backflow pressure (B) Check pressure relief valve and metering unit. (C) Change components if necessary
523615	3	594	135	Fuel metering unit: the current drain measured by ECU is above the target range	short circuit to battery high side	Threshold for error detection is an internal ECU threshold. Check wiring harness and metering unit if necessary repair/replace it.
523615	3	596	135	Fuel metering unit: the current drain measured by ECU is above the target range	short circuit to battery low side	Threshold for error detection is an internal ECU threshold. Check wiring harness and metering unit if necessary repair/replace it.
523615	4	595	135	Fuel metering unit: the current drain measured by ECU is above the target range	short circuit to ground high side	Threshold for error detection is an internal ECU threshold. Check wiring harness and metering unit if necessary repair/replace it.
523615	4	597	135	Fuel metering unit: the current drain measured by ECU is above the target range	short circuit to ground low side	Threshold for error detection is an internal ECU threshold. Check wiring harness and metering unit if necessary repair/replace it.
523615	5	592	135	Detecting an open load fault in the metering unit	wiring harness defective, cable break	Threshold for error detection is an internal ECU threshold. Check wiring harness and metering unit if necessary repair/replace it.

Table 3-15. Deutz Engine Fault Codes

SPN	FMI	Deutz Code	Blink Code	Description	Possible Cause	Action
523615	12	593	135	powerstage of metering unit is overheated	over temperature	Threshold for error detection is an internal ECU threshold. Check functionality of metering unit and replace it if needed. Check temperature of metering unit and improve the installation in case of overheating.
523632	3	1127	665	Urea supply module pressure sensor: the current drain measured by ECU is above the target range	Shortcut to battery Broken wiring Pressure sensor in urea supply module defect	Check wiring Check pressure sensor in urea supply module
523632	4	1128	665	Urea supply module pressure sensor: the current drain measured by ECU is above the target range The sensed raw voltage value SCR_uRawUPmpP is above SCR_SRCUPmpP.uMin_C	Shortcut to ground Broken wiring Pressure sensor in urea supply module defect	Check wiring Check pressure sensor in urea supply module
523632	11	1117	666	Urea supply module pump: the current drain measured by ECU is above the target range	When the pump motor does not switch to pump actuation mode after temperature measurement has been carried out.	Threshold for error is an internal ECU threshold
523698	11	122	591	Shut off request from supervisory monitoring function.	Engine Shut Off due to supervisory function	Threshold for error detection is an internal ECU threshold. Check error memory for additional error code to find root cause. Depending on additional error follow the documented "Take action for repair".
523718	3	1100	676	Urea heater relay: the current drain measured by ECU is above the target range	Shortcut to battery If this error detected during the heating phase it is a result error: KWP 1089 Broken wiring, broken relay	Threshold for error detection is an internal ECU threshold Check wiring Check SCR main relay
523718	4	1101	676	Urea heater relay: the current drain measured by ECU is above the target range	Shortcut to ground If this error detected during the heating phase it is a result error: KWP 1089 Broken wiring, broken relay	Threshold for error detection is an internal ECU threshold Check wiring Check SCR main relay
523718	5	1098	676	Urea heater relay: the current drain measured by ECU is above the target range	Open load If this error detected during the heating phase it is a result error: KWP 1089 Broken wiring broken relay	Threshold for error detection is an internal ECU threshold Test SCR main relay Check cabling, if necessary replace relay.

SECTION 3 - CHASSIS & TURNTABLE

Table 3-15. Deutz Engine Fault Codes

SPN	FMI	Deutz Code	Blink Code	Description	Possible Cause	Action
523719	4	1109	672	Urea supply module heater: the current drain measured by ECU is above the target range	Shortcut to ground If this error detected during the heating phase it is a result error: KWP 1089 Broken wiring Heating element in supply module defect	Threshold for error detection is an internal ECU threshold Check wiring Check cabling, if necessary replace supply module
523719	5	1106	672	Urea supply module heater: the current drain measured by ECU is above the target range	Open load If this error detected during the heating phase is a result error: KWP 1089 Broken wiring Heating element in supply module defect	Threshold for error detection is an internal ECU threshold Check wiring Check cabling, if necessary replace supply module
523720	8	925	148	Supply module heater: Duration of switch on is too long.	Duty cycle for temperature readout from supply module heater to the control unit is out of range; Supply module defect, fault in the wiring.	When the received supply module heater temperature duty cycle SCR_rSMT is out of the failurerange (SCR_rSMFailMax_C < SCR_rSMHtrT < SCR_rSMFailMin_C) Supply module check and replace if necessary. Check the wiring.
523720	8	926	148	Supply module heater: Duty cycle timing over error threshold.	Duty cycle for temperature readout from supply module heater to the control unit is not valid. Supply module defect, fault in the wiring.	When the received supply module heater duty cycle SCR_rSMHtrT is in the valid range (SCR_r- Supply module check and replace if necessary. Check the wiring.
523721	8	930	689	Supply module heater: Duty cycle timing over error threshold.	Duty cycle for temperature readout from supply module to the control unit is out of range. Supply module defect, fault in the wiring.	Supply module check and replace if necessary. Check the wiring.
523721	8	931	689	Supply module heater: Duty cycle timing out of valid range.	Duty cycle for temperature readout from supply module to the control unit is not valid. Supply module defect, fault in the wiring.	When the received supply module duty cycle SCR_rSMT is in the valid range (SCR_rSMTVIdMin_C <= SCR_rSMT <= SCR_rSMTVIdMax_C), OR in the failure range (SCR_rSMFailMin_C <= SCR_rSMT <= SCR_rSMFailMax_C) Supply module check and replace if necessary. Check wiring.
523721	11	927	689	Supply module heater: temperature measurement not available.	Duty cycle for temperature readout from supply module heater to the control unit is not available. Supply module defect, fault in the wiring.	Threshold for detection is an internal ECU threshold. No erasing in the current driving cycle. Supply module check and replace if necessary. Check the wiring.

Table 3-15. Deutz Engine Fault Codes

SPN	FMI	Deutz Code	Blink Code	Description	Possible Cause	Action
523722	8	929	691	Supply module heater: Faulty PWM signal from supply module.	PWM Signal for temperature readout from supply module to the control unit is not valid. Supply modul defect, fault in the wiring.	Threshold for error detection is an internal ECU threshold. When valid Sync followed by temperature information signal is received AND valid sync and temperature signal for both information is received one after the other. Supply module check and replace if necessary. Check the wiring.
523776	9	291	119	Timeout Error of CAN-Receive-Frame TSC1TE - active	Timeout Error (Missing CAN Bus message)	Threshold for error detection is an internal ECU threshold. Check CAN Bus cabling (Bus scheduling, polarity, short circuit, power interrupt), test protocol of receiver, check CAN functional range.
523777	9	292	119	Message TSC1-TE has been missing (passive)	Passive timeout Error (Missing CAN Bus message)	Check CAN Bus cabling (Bus scheduling, polarity, short circuit, power interrupt), test protocol of receiver, check CAN functional range, check actuator
523895	13	559	1-5-8	Missing or wrong injector adjustment value programming (IMA) injector 1 (in firing order).	Missing or wrong injector adjustment value for cyl. 1.	Threshold for error detection is an internal ECU threshold. Check correct injector adjustment value (IMA). Use SERDIA UseCase to check it.
523896	13	560	1-5-8	Missing or wrong injector adjustment value programming (IMA) injector 2 (in firing order).	Missing or wrong injector adjustment value for cyl. 2	Threshold for error detection is an internal ECU threshold. check dataset and flash correct injector adjustment value (IMA). Use SERDIA UseCase to check it.
523897	13	561	1-5-8	Missing or wrong injector adjustment value programming (IMA) injector 3 (in firing order).	Missing or wrong parametrisation of injector adjustment cyl. 3.	Threshold for error detection is an internal ECU threshold. Check correct injector adjustment value (IMA).
523898	13	562	1-5-8	Missing or wrong injector adjustment value programming (IMA) injector 4 (in firing order).	Missing or wrong injector adjustment value for cyl. 4.	Threshold for error detection is an internal ECU threshold. Check correct injector adjustment value (IMA).
523899	13	563	1-5-8	Missing or wrong injector adjustment value programming (IMA) injector 5 (in firing order).	Missing or wrong injector adjustment value for cyl. 5.	Threshold for error detection is an internal ECU threshold. Check correct injector adjustment value (IMA).
523900	13	564	1-5-8	Missing or wrong injector adjustment value programming (IMA) injector 6 (in firing order).	Missing or wrong injector adjustment value for cyl. 6.	Threshold for error detection is an internal ECU threshold. Check correct injector adjustment value (IMA).

SECTION 3 - CHASSIS & TURNTABLE

Table 3-15. Deutz Engine Fault Codes

SPN	FMI	Deutz Code	Blink Code	Description	Possible Cause	Action
523912	4	73	7-2-2	@ engines < 4l: Throttle valve error, Open Load or Short cut to Battery, blocked valve or wrong control signal for valve. @ engines with Burner T4i: Pressure Sensor error after valve (DV2), lower limit reached.	The sensed raw voltage value is below the mini- mum threshold.	The sensed raw voltage value DPM_uRawBrnDVDsP is above the minimum threshold DPM_SRCBrnDVDsP.uMin_C @ CRT < 4l: check throttle valve @ engines with Burner T4i: check back- pressure valve
523924	4	42	167	Overload at Pins O_V_RH2x: A01, K74, K91. Components on A01, K74, K91 cannot be activated. Internal ECU power stage switched off.	Suspected components: 1- Pin K91: Clutch switch, Brake switch, Engine brake demand, Regeneration activation, Parking brake, Gearbox N, Fan control 1 2- Pin K74: Boost air cooler bypass or electrical fuel pump relay, Fan control 2/fuel valve for flame star	Threshold for error detection is an internal ECU threshold. Check wiring harness and connected loads on pins A01, K74, K91 and/or reflash ECU. If error is still present, exchange ECU.
523925	3	38	731	Short circuit to battery error of actuator relay 2. Components on Pin A88, K57 cannot be activated. Internal ECU power stage switched off.	Suspected Components: 1- Lamps K57: Warn Ash Charge, Diagnostic, Warn Coolant Temp/Level, Warn Oil, Warn Boost Air, Warn Air Filter, Warn Water in Fuel, SCR, Regeneration, Engine Running. 2- Relay Preheat A88 3- Exhaust Flap A88	Check wiring harness and connected loads on pins A88, K57.
523925	4	43	731	Short circuit to ground actuator release 3 Overload at Pins O_V_RH3x: A88, K57	Suspected components: 1- Pin A88: Preheat relay, Exhaust flap 2- Pin K 57: - control lamps: - OBD, preheat lamp, warning temp., warning oil, maintenance lamp, regeneration indicator, alternator management, engine running, diagnostic	Threshold for error detection is an internal ECU threshold. Check wiring harness and connected loads on pins A88, K57. If error is still present, exchange ECU.
523926	4	44	732	Short circuit to ground actuator release 4. Overload at Pins O_V_PCV: A90	Suspected components: Fan, Wiring harness	Threshold for error detection is an internal ECU threshold. Check wiring harness and connected loads on pin A90. If error is still present, exchange ECU.
523927	3	40	733	Short circuit to battery error of actuator relay 2. Components on Pin A04, A05 cannot be activated. Internal ECU power stage switched off.	Suspected Components: 1- Urea Pump A04 2- SCR Heater A05	Check wiring harness and connected loads on pins A04, A05.

Table 3-15. Deutz Engine Fault Codes

SPN	FMI	Deutz Code	Blink Code	Description	Possible Cause	Action
523935	12	168	763	Timeout Error of CAN-Transmit-Frame EEC3VOL1; Engine send messages	Fault is detected if a TimeOut of the EEC3VOL1 frame has occurred.	Check wiring harness and customer nodes
523936	12	169	764	Timeout Error of CAN-Transmit-Frame EEC3VOL2; Engine send messages	Timeout Error (Missing CAN Bus message)	Check wiring harness and customer nodes
523938	9	133	766	Timeout Error (BAM to packet) for CAN-Receive-Frame AT11GCVol1 information; factors & Sensor calibration for NOX Sensor (SCR-system upstream cat; DPF-system downstream cat).	Failure of the CAN Bus message	NOX sensor and sensor connection check
523939	9	134	766	Broadcast Announce Message of the calibration message of the upstream catalytic NOx sensor has failed. Timeout Error (BAM to BAM) for CAN-Receive-Frame AT11GCVol1 information. factors & Sensor calibration for NOX Sensor (SCR-system upstream cat, DPF-system downstream cat).	Defective Nox sensor, faulty parameterization	NOX sensor and sensor connection check
523940	9	135	766	Timeout Error (PCK2PCK) for CAN-Receive-Frame AT11GCVol1 information; factors & Sensor calibration for NOX Sensor (SCR-system upstream cat; DPF-system downstream cat).	Failure of the CAN Bus message	NOX sensor and sensor connection check
523941	9	140	767	Timeout Error (BAM to packet) for CAN-Receive-Frame AT10GCVol2 information; factors & Sensor calibration for NOX Sensor (SCR-system downstream cat; DPF-system downstream cat)	Timeout Error (Missing CAN Bus message)	NOX downstream sensor and sensor connection check
523942	9	141	767	Timeout Error (BAM to BAM) for CAN-Receive-Frame AT10GCVol2 information, Calibration message 1 of the after catalyst NO sensor has failed. Factors & Sensor calibration for NOX Sensor (SCR-system downstream cat, DPF-system downstream cat)	Defective Nox sensor, faulty parameterization.	NOX downstream sensor and sensor connection check.
523943	9	142	767	Timeout Error (PCK2PCK) for CAN-Receive-Frame AT10GCVol2 information; factors & Sensor calibration for NOX Sensor (SCR-system downstream cat; DPF-system downstream cat)	The fault is detected when a timeout error in packet 2 of NOxSenVol2Rx frame occurs.	NOX downstream sensor and sensor connection check

SECTION 3 - CHASSIS & TURNTABLE

Table 3-15. Deutz Engine Fault Codes

SPN	FMI	Deutz Code	Blink Code	Description	Possible Cause	Action
523960	0	1011	771	Physical range check high for EGR cooler downstream temperature.	Sensed temperature downstream EGR-cooler > limit.	EGR-Valve blocked open EGR-Valve actuator defect EGR-cooler defect (check for coolant water) Reed Valve defect Intake throttle blocked in closed position Exhaust pressure too high Check Nox-sensor upstream SCR catalyst dp venturi sensor defect
523960	1	1012	771	Physical range check low for EGR cooler downstream temperature.	sensor voltage > lower limit	EGR-Valve blocked open EGR-Valve actuator defect EGR-cooler defect (check for coolant water) Reed Valve defect Intake throttle blocked in closed position Exhaust pressure too high Check Nox-sensor upstream SCR catalyst dp venturi sensor defect
523982	0	360	737	Power stage diagnosis disabled; Indicating that battery voltage is not high.	Power stage diagnostic can be deactivated due to too high battery voltage.	Check wiring, check alternator, check cables and repair or replace if necessary.
523982	1	361	737	Power stage diagnosis disabled; Indicating that battery voltage is not low.	Power stage diagnostic can be deactivated due to too low battery voltage.	Check wiring, check alternator, check cables and repair or replace if necessary.
523984	3	1239	788	Actuator relay 5: the voltage measured by ECU is out of the target range	Short-Circuit to battery to component	Threshold for error detection is an internal ECU threshold. Check wiring, component, ECU
523986	4	1241	176	Actuator relay 4: the voltage measured by ECU is out of the target range	Short-Circuit to ground to component	Threshold for error detection is an internal ECU threshold. Check wiring, component, ECU
523987	4	1242	791	Actuator relay 5: the voltage measured by ECU is out of the target range	Short-Circuit to ground to component	Threshold for error detection is an internal ECU threshold. Check wiring, component, ECU
524050	11	1434	8-3-6	CAN; not used	not used	not used
524051	11	1435	8-3-7	CAN; not used	not used	not used
524057	2	1505	8-4-3	Low fuel pressure: the low fuel pressure calculated by ECU is underneath the target range; the ECU activates a system reaction	Fuel pressure below warning threshold	Threshold for error detection is an internal ECU threshold. Check low fuel pressure system (fuel feed pump, relay, fuse, wiring, sensor) and if necessary repair or replace it.

Table 3-15. Deutz Engine Fault Codes

SPN	FMI	Deutz Code	Blink Code	Description	Possible Cause	Action
524063	3	1558	869	SCR heater main relay; short circuit to battery Threshold 1 < SCRHtr_rUHtrMeasRatio_mp < Threshold 2	Short-Circuit to battery on wiring to component	Check wiring, component
524063	4	1559	869	Connection between heating valve (Y31) on the control unit Pin A:92 and Load side SCR heater main relay (K31) is a short cut to ground. Threshold 1 < SCRHtr_rUHtrMeasRatio_mp < Threshold 2	Faulty wiring, faulty heater relay (K27-K31), defective heating valve (Y31), broken element in heating.	Disconnect plug from heating valve (Y31) and reset fault. If fault is still present you have to look in the wiring of Y31 to the control unit Pin A:92. If error is no longer present, you have to check the wiring of Y31 via relay K31 and possibly the heating cables and relay (K27- K30).
524063	5	1555	869	Urea backflow line heater: broken wiring detected Threshold 1 < SCRHtr_rUHtrMeasRatio_mp < Threshold 2	Open Load on wiring to component	Check wiring, component
524063	5	1556	869	Urea main relay: broken wiring detected Threshold 1 < SCRHtr_rUHtrMeasRatio_mp < Threshold 2	relay defect relay not connected wiring harness broken problems with supply voltage	Check wiring, component
524063	5	1557	869	Urea pressure line heater: broken wiring detected Threshold 1 < SCRHtr_rUHtrMeasRatio_mp < Threshold 2	Open load on wiring to component	Check wiring, component
524063	5	1560	869	SCR relay for suction line not connected Threshold 1 < SCRHtr_rUHtrMeasRatio_mp < Threshold 2	relay defect relay not connected wiring harness broken problems with supply voltage	Check wiring, component
524063	5	1561	869	Open load on wiring to component Threshold 1 < SCRHtr_rUHtrMeasRatio_mp < Threshold 2	Open load on wiring to component	Check wiring, component
524063	5	1562	869	SCR heater tank; open load	Open load on wiring to component	Check wiring, component

Table 3-15. Deutz Engine Fault Codes

SPN	FMI	Deutz Code	Blink Code	Description	Possible Cause	Action
524063	12	1646	869	SCR supply module temperature is not reaching a threshold before a calibratable time is exceeded. Corresponding to the environmental Temperature a specific defrosting time is given. After starting the defrosting a clock counter is starting. Does the counter reach the given defrosting time limit, an error will be detected. Is the temperature reached in time the clock counter will be reset Example: by using the calibrated temperature/time curve --> environmental temperature 0°C --> defrosting time limit 6000s -- > if the clock counter reaches 6000s the error will be detected	Suspected components: Environment temperature sensor defect SCR supply module temperature sensor defect SCR supply module electrical heater defect	Check Environment temperature sensor SCR supply module temperature sensor SCR supply module electrical heater
524065	0	1565	892	The relative pressure value of the exhaust gas from the urea cat upstream sensor is greater than an applicable maximum pressure threshold	sensed pressure upstream SCR catalyst > physical high range limit f(exhaust volume flow) UCatUsP_pRelFlt_mp > UCatUsP_pMax_mp	Check for crystallisation in exhaust line upstream SCR and downstream of urea injector Check correct connection from exhaust line to pressure sensor upstream SCR catalyst: syphons?, water in tube?, water in sensor? Check that exhaust pipe outlet is free (downstream SCR catalyst) Check wiring of pressure sensor upstream SCR catalyst Check pressure sensor upstream SCR catalyst: sensor has no connection to vehicle body? => Ensure that sensor is free Does sensor oscillate heavily at engine low idle / high idle? => try to suppress the oscillating Exchange pressure sensor upstream SCR catalyst Check calculated exhaust volume flow of engine within EDC: SCR_dvolSCRUs plausible? If not: Check T sensor upstream SCR catalyst, check complete engine air path: EGR-Valve, Intake throttle, turbocharger, piping for leakage and function Check SCR catalyst: Broken? Exchange SCR-Catalyst

Table 3-15. Deutz Engine Fault Codes

SPN	FMI	Deutz Code	Blink Code	Description	Possible Cause	Action
524065	1	1566	892	The realitiv pressure value of the exhaust gas from the urea cat upstream sensor is less than an applicable minimum pressure threshold	sensed pressure upstream SCR catalyst > physical high range limit of (exhaust volume flow) UCatUsP_pRelFlt_mp < UCatUsP_pMin_mp	Check correct connection from exhaust line to pressure sensor upstream SCR catalyst: leakage? Check electric connector: 4h pin open / new connector type used? pressure exchange from inside electrical connector with the environment possible Check exhaust line: any leakages upstream of SCR catalyst? Check wiring of pressure sensor upstream SCR catalyst Exchange pressure sensor upstream SCR catalyst Check calculated exhaust volume flow of engine within EDC: SCR_dvoSCRUs pausable? If not: Check T sensor upstream SCR catalyst, check complete engine air path: EGR-Valve, Intake throttle, turbocharger, piping for leakage and function Check SCR catalyst: Broken? Exchange SCR-Catalyst
524065	2	1598	892	Comparison of urea cat upstream exhaust gas- and environment pressure, the difference should not exceed a certain limit $\text{abs}(\text{UCatUsP_pDiffEnvCat_mp}) > \text{Threshold}$	absolute value of difference between sensed pressure upstream SCR catalyst and environmental pressure > limit $\text{abs}(\text{UCatUsP_pDiffEnvCat_mp}) > \text{Threshold}$	Check electric connector: 4h pin open / new connector type used? pressure exchange from inside electrical connector with the environment possible? water in sensor? sensor frozen? Check wiring of pressure sensor upstream SCR catalyst Exchange pressure sensor upstream SCR catalyst Check intake manifold pressure sensor (Air_pCACDs) Check ambient pressure sensor (EnvP_p)
524065	3	1569	892	voltage of pressure sensor upstream SCR > voltage high limit	voltage of pressure sensor upstream SCR > volt- age high limit	Check wiring of pressure sensor upstream SCR catalyst Check pressure sensor upstream SCR catalyst Exchange pressure sensor upstream SCR catalyst
524065	4	1570	892	voltage of pressure sensor upstream SCR < voltage low limit	voltage of pressure sensor upstream SCR < volt- age low limit	Check wiring of pressure sensor upstream SCR catalyst. Check pressure sensor upstream SCR catalyst. Exchange pressure sensor upstream SCR catalyst

SECTION 3 - CHASSIS & TURNTABLE

Table 3-15. Deutz Engine Fault Codes

SPN	FMI	Deutz Code	Blink Code	Description	Possible Cause	Action
524067	0	1581	894	Filtered urea supply module heater temperature value is above an applicable maximum heater temperature threshold of the supply module The temperature is read out via the PWM signal of the urea pump. That is only possible in status init of the SCR-system short after ignition was switched on. When that state is left the sensed temperature value is frozen.	sensed temperature of supply module heater > physical high range limit	Compare SCR_tSMT with SCR_tSMHtrT. Both show the same value? Check urea tank temperature (SCR_tAdapUTnkt). Very hot (> 70°C), urea tank heater permanent on? Does the pump never stop working? Check wiring to supply module Compare SCR_tSMT with SCR_tSMHtrT. Both show different values or urea tank temperature (SCR_tAdapUTnkt) is cold: exchange urea pump unit Supply module heater temperature sensor defect Supply module heater defect Supply module defect
524067	0	1585	894	Filtered urea supply module temperature value (SCR_tSMT) is above an applicable maximum temperature threshold of the supply module The temperature is read out via the PWM signal of the urea pump. That is only possible in status init of the SCR-system short after ignition was switched on. When that state is left the sensed temperature value is frozen.	sensed temperature of urea within supply module > physical high range limit	Compare SCR_tSMT with SCR_tSMHtrT. Both show the same value? Check urea tank temperature (SCR_tAdapUTnkt). Very hot (> 70°C), urea tank heater permanent on? Does the pump never stop working? Check wiring to supply module Compare SCR_tSMT with SCR_tSMHtrT. Both show different values or urea tank temperature (SCR_tAdapUTnkt) is cold: exchange urea pump unit Supply module temperature sensor defect Supply module heater defect Supply module defect
524067	1	1582	894	Filtered urea supply module heater temperature value is below an applicable minimum heater temperature threshold of the supply module The temperature is read out via the PWM signal of the urea pump. That is only possible in status init of the SCR-system short after ignition was switched on. When that state is left the sensed temperature value is frozen.	sensed temperature of supply module heater < threshold	Check ambient temperature EnvT_t < Threshold? Compare SCR_tSMT with SCR_tSMHtrT Check wiring with regard to supply module heater exchange urea pump unit Supply module heater temperature sensor defect Supply module defect

Table 3-15. Deutz Engine Fault Codes

SPN	FMI	Deutz Code	Blink Code	Description	Possible Cause	Action
524067	1	1586	894	Filtered urea supply module temperature (SCR_tSMT) value is below an applicable minimum temperature threshold of the supply module The temperature is read out via the PWM signal of the urea pump. That is only possible in status init of the SCR-system short after ignition was switched on. When that state is left the sensed temperature value is frozen.	sensed temperature of urea within supply module < physical low range limit	Check ambient temperature EnvT_t < threshold? Compare SCR_tSMT with SCR_tSMHtrT Check wiring with regard to supply module heater exchange urea pump unit Supply module temperature sensor defect Supply module defect
524067	2	1867	894	absolute difference of sensed temperature of supply module heater temperature and ambient temperature UPmpT_tDiffPmpHtrAmb_mp > threshold	absolute difference of sensed temperature of supply module heater temperature and ambient temperature UPmpT_tDiffPmpHtrAmb_mp > threshold	Compare SCR_tSMT with SCR_tSMHtrT, EnvT_t and CEngTds_t and SCR_tAdapUTnkT => All identical? If not: Has the machine been brought from cold environment into a warm one or vice versa without engine running, e.g. at workshop? Environment temperature sensor defect Coolant temperature sensor defect Supply module temperature sensor defect Problem at Supply module unit (broken?) => exchange supply module
524067	2	1868	894	absolute difference of sensed temperature of supply module temperature and ambient temperature > threshold	absolute difference of sensed temperature of supply module temperature and ambient temperature UPmpT_tDiffPmpAmb_mp > threshold	Compare SCR_tSMT with SCR_tSMHtrT, EnvT_t and CEngTds_t and SCR_tAdapUTnkT => All identical? If not: Has the machine been brought from cold environment into a warm one or vice versa without engine running, e.g. at workshop? Environment temperature sensor defect Coolant temperature sensor defect Supply module temperature sensor defect Problem at Supply module unit (broken?) => exchange supply module
524074	9	1533	246	Open load sensor internally at NOx-sensor downstream SCR	Open load sensor internally at NOx-sensor downstream SCR	Threshold for error detection is an internal ECU threshold. Check NOx-Sensor downstream SCR catalyst: water inside? Shake out sensor after dismounting. => If water inside, replace sensor. Check mounting position of sensor and judge it regarding condense water formation / agglomeration. Check wiring harness Exchange sensor

Table 3-15. Deutz Engine Fault Codes

SPN	FMI	Deutz Code	Blink Code	Description	Possible Cause	Action
524075	11	1534	247	Short circuit sensor internally at NOx-sensor downstream SCR	Short circuit sensor internally at NOx-sensor downstream SCR	Threshold for error detection is an internal ECU threshold. Check NOx-Sensor downstream SCR catalyst: water inside? Shake out sensor after dismounting. => If water inside, replace sensor. Check mounting position of sensor and judge it regarding condense water formation / agglomeration? Rearrange if critical and possible Check wiring harness Exchange sensor
524076	9	1535	248	Open line sensor internally at NOx-sensor downstream SCR NOx Sensors are CAN Sensors --> no HW Pin on the ECU	Open line sensor internally at NOx-sensor downstream SCR	Threshold for error detection is an internal ECU threshold. Check NOx-Sensor upstream SCR catalyst: water inside? Shake out sensor after dismounting. => If water inside, replace sensor. Check mounting position of sensor and judge it regarding condense water formation / agglomeration. Check wiring harness Exchange sensor
524077	11	1536	249	Short circuit sensor internally at NOx-sensor downstream SCR NOx Sensors are CAN Sensors --> no HW Pin on the ECU	Short circuit sensor internally at NOx-sensor downstream SCR	Threshold for error detection is an internal ECU threshold. Check NOx-Sensor upstream SCR catalyst: water inside? Shake out sensor after dismounting. => If water inside, replace sensor. Check mounting position of sensor and judge it regarding condense water formation / agglomeration. Check wiring harness Exchange sensor

Table 3-15. Deutz Engine Fault Codes

SPN	FMI	Deutz Code	Blink Code	Description	Possible Cause	Action
524078	9	1537	255	Lambda value of NOx-Sensor downstream SCR is out of range. When the filtered Lambda concentration value at the sensor (ComRxSCR_rFltLamDs_mp) is greater than the physical range check max. lambda threshold	sensed lambda value of Nox-sensor downstream SCR catalyst is > physical high limit ComRxSCR_rCanLamDs_mp > threshold	Check whether NOx-sensor downstream SCR catalyst is physically mounted within the exhaust line Check Lambda values of NOx-sensor downstream SCR catalyst at idle conditions, ComRxSCR_rCanLamDs_mp > threshold? Compare to ComRxSCR_rCanLamUs_mp. Values must be almost identical Check CANBus of NOx-sensor downstream SCR catalyst Check NOx-sensor downstream SCR catalyst wiring Check NOx-sensor downstream SCR catalyst itself Replace NOx-sensor downstream SCR catalyst
524079	9	1538	256	sensed lambda value of NOx-sensor downstream SCR catalyst is < physical low limit ComRxSCR_rCanLamDs_mp < threshold	sensed lambda value of NOx-sensor downstream SCR catalyst is < physical low limit ComRxSCR_rCanLamDs_mp < threshold	Compare to ComRxSCR_rCanLamUs_mp. ComRxSCR_rCanLamDs_mp must be almost identical! If almost identical, Check air path of engine: EGR-Valve, Intake-Throttle, Turbocharger and Piping each for leakage and correct function Check injection system of engine. Injector stuck? if sensed lambda upstream SCR higher (ComRxSCR_rCanLamUs_mp) : Diesel in Urea-tank? Check CANBus of NOx-sensor downstream SCR catalyst Check NOx-sensor downstream SCR catalyst wiring Check NOx-sensor downstream SCR catalyst itself Replace NOx-sensor downstream SCR catalyst

SECTION 3 - CHASSIS & TURNTABLE

Table 3-15. Deutz Engine Fault Codes

SPN	FMI	Deutz Code	Blink Code	Description	Possible Cause	Action
524080	9	1539	257	sensed lambda value of Nox-sensor upstream SCR catalyst is > physical high limit ComRxSCR_rCanLamUs_mp > Threshold	sensed lambda value of Nox-sensor upstream SCR catalyst is > physical high limit ComRxSCR_rCanLamUs_mp > Threshold	Check whether NOx-sensor upstream SCR catalyst is physically mounted within the exhaust line Check Lambda values of NOx-sensor upstream SCR catalyst at idle conditions, ComRxSCR_rCanLamUs_mp < Threshold? Compare to ComRxSCR_rCanLamDs_mp. Must be almost identical Check CANBus of NOx-sensor upstream SCR catalyst Check NOx-sensor upstream SCR catalyst wiring Check NOx-sensor upstream SCR catalyst itself Replace NOx-sensor upstream SCR catalyst
524081	9	1540	258	sensed lambda value of Nox-sensor upstream SCR catalyst is < physical low limit ComRxSCR_rCanLamUs_mp < Threshold	sensed lambda value of Nox-sensor upstream SCR catalyst is < physical low limit ComRxSCR_rCanLamUs_mp < Threshold	Check air path of engine: EGR-Valve, Intake-Throttle, Turbocharger and Piping each for leakage and correct function Check injection system of engine. Injector stuck? Check CANBus of NOx-sensor upstream SCR catalyst Check NOx-sensor upstream SCR catalyst wiring Check NOx-sensor upstream SCR catalyst itself Replace NOx-sensor upstream SCR catalyst
524083	9	1542	261	sensed NOx-value of NOx-sensor downstream SCR catalyst < Threshold	sensed Nox-value of Nox-sensor downstream SCR catalyst < physical low limit	Check CANBus of NOx-sensor downstream SCR catalyst Check NOx-sensor downstream SCR catalyst wiring Check NOx-sensor downstream SCR catalyst itself Replace NOx-sensor downstream SCR catalyst
524085	9	1544	912	sensed Nox-value of Nox-sensor upstream SCR catalyst < Threshold	sensed Nox-value of Nox-sensor upstream SCR catalyst < physical low limit	Check CANBus of NOx-sensor upstream SCR catalyst Check NOx-sensor upstream SCR catalyst wiring Check NOx-sensor upstream SCR catalyst itself Replace NOx-sensor upstream SCR catalyst
524100	9	1666	924	Timeout error of CAN-Transmit-Frame Com- DPFHisDat.	Open load on CANBUS wiring.	Check wiring, component.

Table 3-15. Deutz Engine Fault Codes

SPN	FMI	Deutz Code	Blink Code	Description	Possible Cause	Action
524104	9	1676	928	Timeout error of CAN-Receive-Frame Com-RxDPFctl. CM1 Module Customer Receive Message.	Time out of Check CANBUS EAT Control Receive Message, PGN65348. The message is not received.	Threshold for error detection is an internal ECU threshold. Check CANBUS EAT Control Receive Message, PGN65348. CM1 Module Customer Receive Message.
524118	9	1672	9-4-2	Timeout error of CAN-Receive-Frame ComRxCM1	If the frame CM1 message is not transmitted successfully	Check CAN Bus cabling (Bus scheduling, polarity, short circuit, power interrupt), test protocol of receiver, check CAN functional range.
524121	9	1683	9-4-5	Timeout error of CAN-Receive-Frame Com-RxTrbChActr	Timeout Error (Missing CAN Bus message)	Check CAN Bus cabling (Bus scheduling, polarity, short circuit, power interrupt), test protocol of receiver, check CAN functional range.
524125	9	1687	9-4-9	Timeout error of CAN-Receive-Frame Com-TxTrbChActr	Timeout Error (Missing CAN Bus message)	Check CAN Bus cabling (Bus scheduling, polarity, short circuit, power interrupt), test protocol of receiver, check CAN functional range.
524141	7	1827	192	DEF dosing valve is blocked with crystallized urea or other deposits.	While SCR system is starting up and after urea pressure reaches 10000 hPa, the DEF dosing module is tested. Expectation is that urea pressure drops below 1500 hPa if injector works properly. The test is repeated up to 3 times before an error is set. SCRsysPresMon_stPresDropDet_mp = 0 while SCRCo_stStatus_mp = 16. Suspected component: wiring harness DEF dosing valve The error is stored into the EEPROM of the ECU and status at ECU shut down is regained at ignition on.	Check electrical connection of urea injector: - wiring harness - connector Conduct SERDIA use-case "injection test". If it is faulty: - remove urea injector from exhaust line: - check for crystallisation direct on injector noz- zle / plate - rinse it thoroughly in water - remount urea injector and conduct SERDIA use-case "injection test" If the error is still active, then exchange urea injector.

Table 3-15. Deutz Engine Fault Codes

SPN	FMI	Deutz Code	Blink Code	Description	Possible Cause	Action
524141	7	1858	192	DEF dosing valve is blocked with crystallized urea or other deposits.	While SCR system is starting up and after urea pressure reaches 10000 hPa, the DEF dosing module is tested. Expectation is that urea pressure drops below 1500 hPa if injector works properly. The test is repeated up to 3 times before an error is set. SCRSysPresMon_stPresDropDet_mp = 0 while SCRCO_stStatus_mp = 16. Suspected component: wiring harness DEF dosing valve The error is stored into the EEPROM of the ECU and status at ECU shut down is regained at ignition on.	Check electrical connection of urea injector: - wiring harness - connector Conduct SERDIA use-case "injection test". If it is faulty: - remove urea injector from exhaust line: - check for crystallisation direct on injector noz- zle / plate - rinse it thoroughly in water - remount urea injector and conduct SERDIA use-case "injection test" If the error is still active, then exchange urea injector.
524147	13	1639	966	No proper urea pressure level could be build up within the SCR system state "Fill Lines" => SCRCO_stStatus_mp = 1 within some minutes	This error shows up, if no proper urea pressure level could be build up within the SCR system state "Fill Lines" => SCRCO_stStatus_mp = 1 within some minutes Once the urea pump pressure has exceeded the threshold the error is declared as okay. Suspected components: Suction line blocked PWM Powerstage has a defect and a default value which leads not to a rising pressure Pump Pressure sensor defect pump filter contains dirty parts reverting valve continuously open	Make sure that frozen lines, pump or tank can be excluded! Check whether there is urea in the urea tank Check urea lines: All lines connected? The right lines connected to the correct places? Suction line blocked? No leakage? Not also urea to the outside but also air into the lines, especially in the suction line! Perform service routine "pressure test": Does the urea pump work? => check wiring harness & PWM signal for pump Does the urea pressure rise? DFC already healed? If all unsuccessful so far: Check urea pressure sensor: At ignition on and SCR system state = 0 ("Init check"), SCR_pAbsAdapUPmpP shall be identical to EnvP_p. Fulfilled: Sensor okay! Check reverting valve => see DFC_SCRCORevVlvBlk Check pump filter: dirt inside? Suspected components: Urea pump broken Reverting valve continuously open Urea suction line, backflow line broken or connection swapped PWM Powerstage has a defect Pump Pressure sensor broken

Table 3-15. Deutz Engine Fault Codes

SPN	FMI	Deutz Code	Blink Code	Description	Possible Cause	Action
524152	2	1874	971	CAN message is not received for a definite time => error is set. As soon as the message is received the error heals.	CAN message is not received for a definite time => error is set. As soon as the message is received the error heals.	Check electrical connection of urea quality sensor Check engine CAN bus Check urea quality sensor itself Exchange urea quality sensor
524153	2	1875	997	CAN message is not received for a definite time => error is set. As soon as the message is received the error heals.	CAN message is not received for a definite time => error is set. As soon as the message is received the error heals.	Check electrical connection of suction unit sensor (combined sensor with tank level and tank temperature) Check engine CAN bus Check level sensor itself Exchange suction unit
524156	9	1705	972	Timeout error of CAN-Receive-Frame ComRxEBC2 from wheel speed sensor.	Timeout Error (Missing CAN Bus message) Defect on wheel speed sensor.	Check CAN Bus cabling (Bus scheduling, polarity, short circuit, power interrupt), test protocol of receiver, check CAN functional range. Replace the wheel speed sensor.
524177	7	1863	995	The error shows up, if no proper urea pressure could be build up within the SCR system state "Fill Lines" => SCRCo_stStatus_mp = 1. 1.	This error shows up, if no proper urea pressure could be build up within the SCR system state "Fill Lines" => SCRCo_stStatus_mp = 1. 3 cases can lead to the error: Case A: increasing pressure is detected within 15s the check has passed => no error Case B: The pressure threshold was not reached within the 60s but case A was not positiv. Case C: The minimum pressure of 3000 hPa was not reached within the 60s.	Make sure that DEF lines, pump and tank are not frozen. Check for DEF level in the tank. Check DEF lines: Are all DEF lines connected? Is the suction line blocked? Is there any leakage? Not only urea to the outside but also air into the lines, especially in the suction line! Perform SERDIA usecase "pressure test": Does the DEF pump work? => check wiring harness & PWM signal for pump. Does the urea pressure increase? All errors are already healed? If still unsuccessful so far: Check urea pressure sensor: At ignition on and SCR system state = 0 ("Init check"), SCR_pAbsAdapUPmpP shall be identical to EnvP_p. Fulfilled: Sensor okay! Check DEF pump filter: Is any dirt inside? Suspected components: Suction line PWM Powerstage has a defect and a default value which leads not to a rising pressure DEF pump pressure sensor defect DEF pump filter contains dirty parts

Table 3-15. Deutz Engine Fault Codes

SPN	FMI	Deutz Code	Blink Code	Description	Possible Cause	Action
524178	7	1864	996	The urea pump is not able to control the urea pressure between 9bar and 11 bar.	The urea pump controller is not able to control the urea pressure between 9bar and 11 bar due to malfunction in the SCR system. Suspected components: - DEF pump broken - Reverting valve continuously open - Urea suction line, backflow line broken or connection swapped - PWM Powerstage has a defect - Pump Pressure sensor broken	Make sure that DEF lines, pump and tank are not frozen. Check for DEF level in the tank Check DEF lines: All lines connected? The right lines connected to the correct places? Suction line blocked? Is there any leakage? Not also urea to the outside but also air into the lines, especially in the suction line! Perform SERDIA usecase "pressure test": Does the DEF pump work properly? => check wiring harness & PWM signal for pump Does the DEF pressure rise? Is the error healed? If still unsuccessful so far: - Check DEF pressure sensor: At ignition on and SCR system state = 0 ("Init check"), SCR_pAbsAdapUPmpP shall be identical to EnvP_p. Fulfilled: Sensor okay! - Check reverting valve - Check DEF pump filter: dirt inside? Suspected components: DEF pump broken Reverting valve continuously open DEF suction line, backflow line broken or connection swapped PWM Powerstage has a defect DEF pump pressure sensor broken
524190	14	1891	272	Not enough urea in tank or low urea quality or hardware tampering failure is detected or hardware failure is detected	Low DEF tank level Low DEF quality Hardware Tampering is active Hardware Failure is active	Check DEF level in tank. If there is no DEF, refill up to volume above the warning threshold. Check the DEF quality in the tank. If wrong fluid is filled, refill with proper DEF. Check other errors based on hardware malfunctions.
524191	14	1892	273	A low DEF tank level or a low DEF quality is detected or hardware tampering (system components are pinched off) or hardware failures as shortcut to battery, shortcut to ground etc. are detected.	Low DEF tank level Low DEF quality Hardware Tampering is active Hardware Failure is active	Threshold for error detection is an internal ECU threshold. Check the DEF level in tank. If there is no DEF, refill up above the warning level. Check DEF quality filled in the tank. Check other errors based on hardware tampering or failure.

Table 3-15. Deutz Engine Fault Codes

SPN	FMI	Deutz Code	Blink Code	Description	Possible Cause	Action
524193	8	1893	275	The total time in standstill-regeneration mode exceeds the long-limit threshold within last 500h total engine run time. The error is activated if the engine runs to many times in Standstill regeneration.	Stand-still mode is very often aborted by the operator. Stand-still mode does not reach required temperature level and regeneration level is therefore reached after a short time again	Read out stand-still statistics => see service manual: Stand-still operation finished or often interrupted by driver / engine shut-off? => Run stand-still and instruct operator Stand-still operation required often by soot load => Check dp DPF pressure sensor Stand-still mode does not reach required temperature level: Check engine air path: Intake Throttle, EGR-Valve and turbocharger okay? Any leakage in engine air intake system or exhaust gas system? Check temperature sensors within exhaust system: upstream DOC, downstream DOC If soot load level of DPF allow it: Perform Stand-still and check reached temperature level upstream and downstream DOC: T upstream DOC in the range of 480-550°C? Downstream DOC after 25 min stand-still main phase 590°C are reached? Temperature traces are steady and even? Temperature downstream DOC higher than upstream DOC but difference does not exceed 100 K? Very small difference (< 10 K after 25 min stand-still main phase, 590 °C downstream DOC are not reached) => exchange DOC Very big difference (>100 K after 25 min stand-still main phase, 590 °C downstream DOC exceeded) => check injection system of engine & engine air path

Table 3-15. Deutz Engine Fault Codes

SPN	FMI	Deutz Code	Blink Code	Description	Possible Cause	Action
524194	8	1894	276	<p>The total time in standstill-regeneration mode exceeds the long-limit threshold: 2,5h stand-still operation within 50h total motor run time.</p> <p>The error is activated if the engine runs to much time in short Standstill regeneration.</p>	<p>Stand-still mode is aborted / interrupted too often by the operator</p> <p>Stand-still is required too often due to miscalculation in the soot model</p> <p>Stand-still mode does not reach temperature level and regeneration level is therefore reached after a short time again.</p>	<p>Read out stand-still statistics => see service manual:</p> <p>Stand-still operation finished or often interrupted by driver / engine shut-off? => Run stand-still and instruct operator</p> <p>Stand-still operation required often by soot load => Check dp DPF pressure sensor</p> <p>Stand-still mode does not reach required temperature level:</p> <p>Check engine air path: Intake Throttle, EGR-Valve and turbocharger okay?</p> <p>Any leakage in engine air intake system or exhaust gas system?</p> <p>Check temperature sensors within exhaust system: upstream DOC, downstream DOC</p> <p>If soot load level of DPF allows it: Perform Stand-still and check reached temperature level upstream and downstream DOC: T upstream DOC in the range of 480-550°C? Downstream DOC after 25 min stand-still main phase 590°C are reached?</p> <p>Temperature traces are steady and even?</p> <p>Temperature downstream DOC higher than upstream DOC but difference does not exceed 100 K?</p> <p>Very small difference (< 10 K after 25 min stand-still main phase, 590 °C downstream DOC are not reached) => exchange DOC</p> <p>Very big difference (>100 K after 25 min stand- still main phase, 590 °C downstream DOC exceeded) => check injection system of engine & engine air path</p>

Table 3-15. Deutz Engine Fault Codes

SPN	FMI	Deutz Code	Blink Code	Description	Possible Cause	Action
524195	14	1900	279	<p>The standstill request of detected crystallization is ignored for more than 5h(>300min)</p> <p>This will be activated if there is a standstill request activated by Crystallization Monitoring.</p>	<p>Back pressure upstream SCR catalyst has reached a level which indicates crystallization inside of exhaust line.</p> <p>The error detection depends on the sensed pressure upstream of the SCR catalyst and the calculated exhaust volume flow through the mixer pipe.</p> <p>In case of error is set, but no crystallization can be found in the mixing pipe, a possible reason can be the defect sensors:</p> <ul style="list-style-type: none"> - exhaust pressure & temperature upstream of the SCR catalyst, - the ambient pressure - the exhaust mass flow => Check air path system at the engine. 	<p>Dismount urea injector from exhaust line and inspect visually the injector and the exhaust line for urea crystallization upstream of SCR catalyst:</p> <p>If crystallization can be clearly seen, then stand-still must be processed.</p> <p>Has the engine been operated in low load for longer time? If yes, then it could be the reason for crystallization.</p> <p>Does the NOx-Sensors work properly?</p> <p>Compare ComRxSCR_rNOxUs to ComRxSCR_rNOxDs, when ComRxSCR_stNOxRdyUs = 1 & ComRxSCR_stNOxRdyDs = 1 (Warm engine and EAT-system, SCRT_tCatAavgExhGs_mp > 250°C, SCR_stStatus = "Dosing" = 8): sensed NOx upstream of SCR catalyst must be higher than downstream of SCR catalyst.</p> <p>Go to idle and wait until SCR system enters status "stand-by" (no dosing), SCRT_tCatAavgExhGs_mp < 225°C: ComRxSCR_rNOxUs = ComRxSCR_rNOxDs</p> <p>Clean urea injector: rinse it thoroughly under water</p> <p>Check EGR-Path: difference pressure sensor at venturi tube, EGR cooler, EGR-Valve, Reed-Valve, Intake throttle regarding function and leakage. Does the EGR-cooler leak water in the exhaust? Check air path for leakage Check turbocharger</p> <p>No crystallisation can be seen in the mixing pipe:</p> <p>Check exhaust pressure sensor upstream of SCR catalyst (SCR_pSensUCatUsP): tube, water in sensor?</p> <p>Check environmental pressure sensor (EnvP_p): plausible?</p>

Table 3-15. Deutz Engine Fault Codes

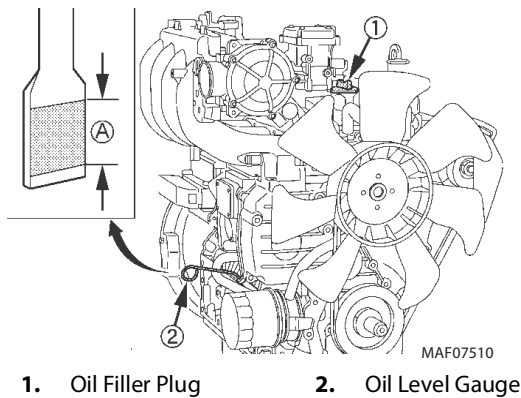
SPN	FMI	Deutz Code	Blink Code	Description	Possible Cause	Action
5232719	3	1108	672	Urea supply module heater: the current drain measured by ECU is above the target range	Short circuit to battery If this error detected during the heating phase it is a result error: KWP 1089 Broken wiring Heating element in supply module defect	Threshold for error detection is an internal ECU threshold Check wiring Check cabling, if necessary replace supply module

Go to Discount-Equipment.com to order your parts

3.22 KUBOTA ENGINE GENERAL MAINTENANCE

Checking Oil Level

1. Make sure machine and engine are level and stop engine before checking oil level.
2. Remove oil level gauge and wipe it clean.
3. Put oil level gauge and remove again.
4. Check oil level. Oil level should be within range as shown in below Figure.



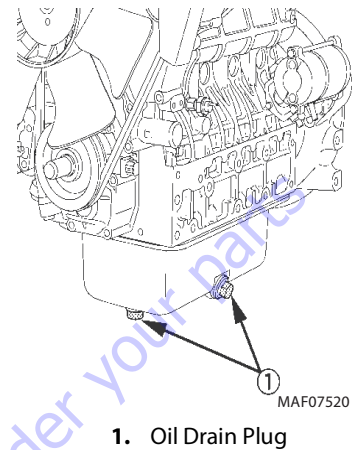
Replacing Engine Oil

1. Make sure machine and engine are level.
2. Allow engine to warm up as it will be easier to drain oil when it is warm.
3. Stop engine.
4. Place oil tray under engine.

CAUTION

HOT ENGINE OIL CAN CAUSE BURNS. AVOID CONTACT WITH HOT OIL WHEN DRAINING.

5. Remove drain plug at the bottom of the engine and drain oil.
6. Replace the drain plug gasket and close the drain plug.



NOTICE

COLLECT USED OIL IN A CONTAINER SUITABLE FOR DISPOSAL OR RECYCLING. DISPOSE OF USED ENGINE OIL IN ACCORDANCE WITH ENVIRONMENTAL REGULATIONS.

7. Add new engine oil up to the upper limit of the oil level gauge.
8. Refer Section 1 for capacity and refer to Figure 3-100, Engine Oil Viscosity for the proper grade.

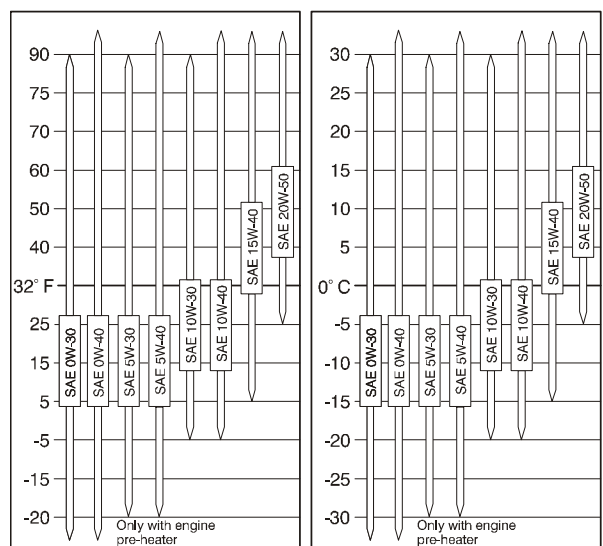


Figure 3-100. Engine Oil Viscosity

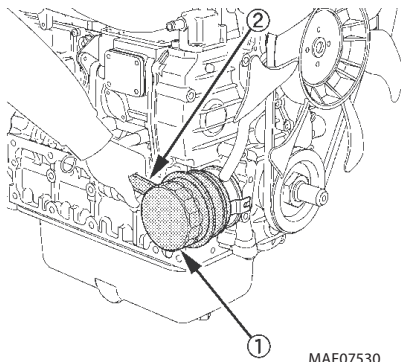
Replacing the Oil Filter

1. Stop the engine and allow it to cool down before replacing the filter.

⚠ CAUTION

HOT ENGINE OIL CAN CAUSE BURNS. AVOID CONTACT WITH HOT OIL WHEN REPLACING FILTER

2. Clean all debris, hydraulic fluid etc. around the filter area.
3. Use a filter wrench, remove the oil filter. Collect any escaping oil in a suitable container.

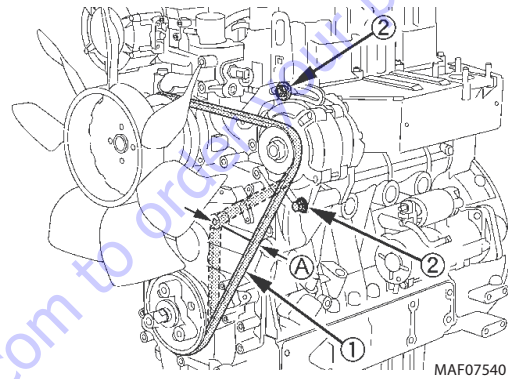


1. Oil Filter Cartridge
2. Wrench

4. Apply a light film of clean oil to the gasket of new oil filter cartridge.
5. Install oil filter cartridge and turn by hand until the gasket contacts the seal surface.
6. Check Oil level and pressure. Add oil if necessary.
7. Clean any oil sticking to the oil filter or machine completely.

Maintenance of the Drive Belt

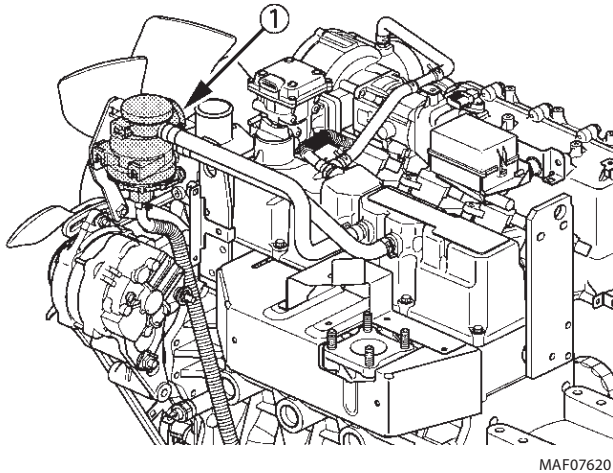
1. Make sure to stop the engine and remove key before checking the belt tension.
2. Check belt tension by applying thumb pressure to belt between the pulleys.
3. If belt tension is not correct, loosen the alternator mounting bolts, using a lever placed between alternator and engine block, pull the alternator out until the deflection of the belt falls within acceptable limits.
4. Replace the fan belt, if damaged.



1. Fan Belt
2. Bolt and Nut

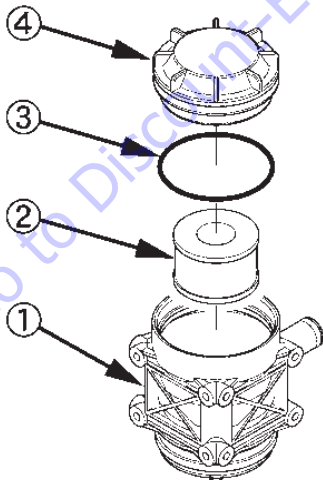
REPLACING OIL SEPARATOR

1. Stop the engine and allow it to cool before replacing the oil separator.



1. Oil Separator

2. Remove the cover and take out oil separator element and gasket.
3. Clean any oil and grease in the area.
4. Install a new oil separator element and gasket into position.
5. Install the cover.



- | | |
|--------------------------|-----------|
| 1. Body | 3. Gasket |
| 2. Oil Separator Element | 4. Cover |

Table 3-16. Engine Fault Codes - Kubota Engine

SPN Code	FMI Code	DTC	Description
29	3	2128	FPP2 voltage high
29	4	2127	FPP2 voltage low
51	0	221	TPS1 Higher Than TPS2
51	1	121	TPS1 Lower Than TPS2
51	3	123	TPS1 Signal Voltage High
51	4	122	TPS1 Signal Voltage Low
51	7	2111	Unable to Reach Lower TPS
51	7	2112	Unable to Reach Higher TPS
51	31	2135	TPS 1/2 Simultaneous Voltages
91	3	2122	FPP1 Voltage High
91	4	2123	FPP1 Voltage Low
91	16	2126	FPP1 Higher Than FPP2
91	18	2121	FPP1 Lower Than FPP2
91	31	1121	FPP Voltage Error
94	0	88	Fuel pressure high
94	1	87	Fuel pressure low
94	3	92	Fuel Pump High Voltage
94	4	91	Fuel Pump Low Voltage
100	1	524	Oil Pressure Low
105	0	127	IAT Higher Than Expected 2
105	3	113	IAT High Voltage
105	4	112	IAT Low Voltage
105	15	111	IAT Higher Than Expected 1
106	4	107	MAP Low Voltage
106	16	108	MAP high pressure
108	1	129	BP Low Pressure
110	0	217	ECT Higher Than Expected 2
110	3	118	ECT High Voltage
110	4	117	ECT Low Voltage
110	15	116	ECT Higher Than Expected 1
168	15	563	System Voltage High
168	17	562	System Voltage Low
174	3	183	Fuel Temp Gasoline High
174	4	182	Fuel Temp Gasoline Low
515	0	1112	Spark Rev Limit
515	15	219	Max Govern Speed Override
515	16	1111	Fuel Rev Limit
628	13	601	Flash Checksum Invalid
629	31	606	COP Failure
629	31	1612	RTI 1 loss
629	31	1613	RTI 2 loss
629	31	1614	RTI 3 Loss
629	31	1615	A/D Loss

Table 3-16. Engine Fault Codes - Kubota Engine

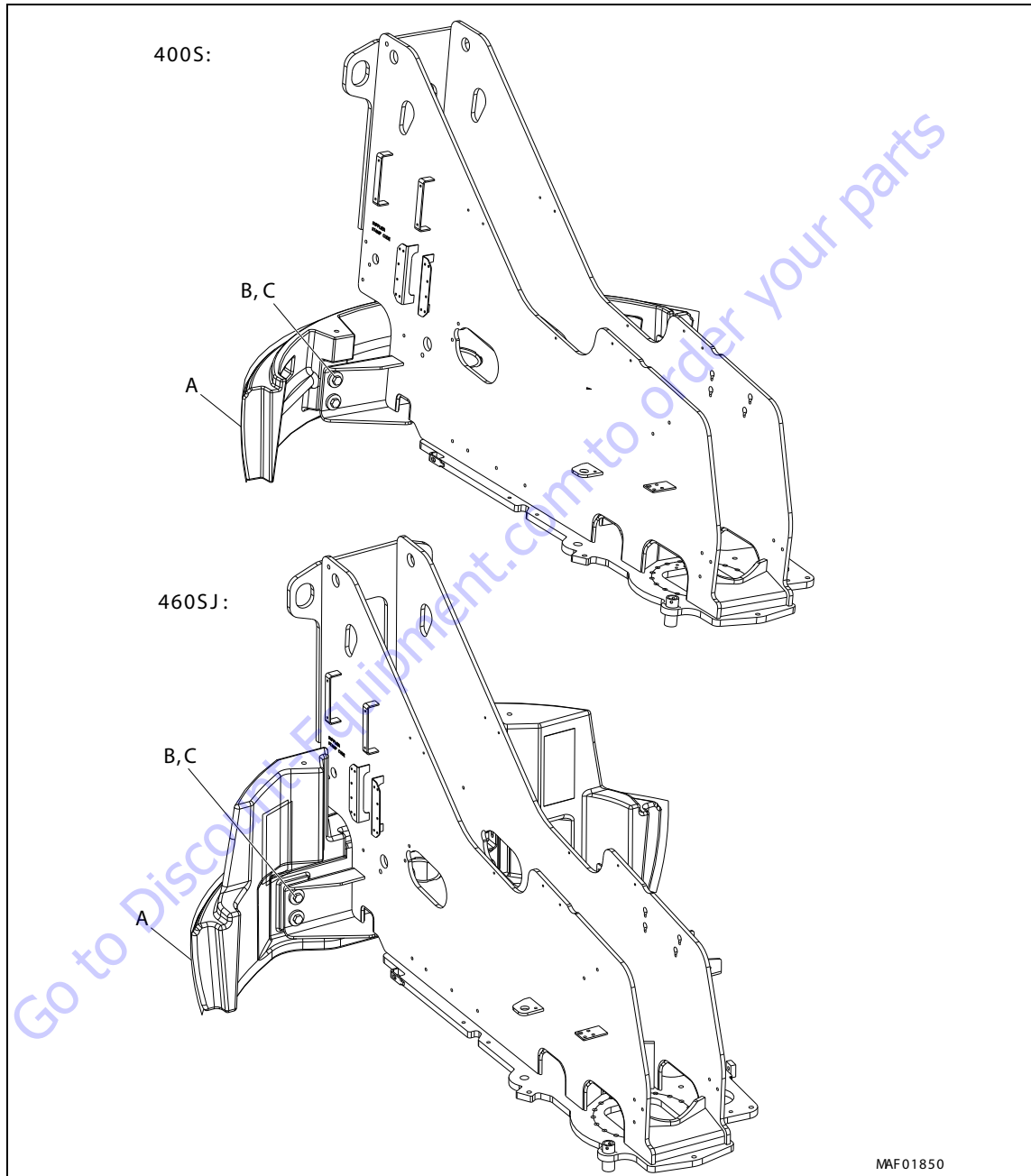
SPN Code	FMI Code	DTC	Description
629	31	1616	Invalid Interrupt
630	12	604	RAM Failure
632	31	359	Fuel run-out
636	2	336	Crank Sync Noise
636	4	337	Crank Loss
636	8	16	Crank Never Synced at Start
651	5	261	Injector Driver 1 Open
651	6	262	Injector Driver 1 Shorted
652	5	264	Injector Driver 2 Open
652	6	265	Injector Driver 2 Shorted
653	5	267	Injector Driver 3 Open
653	6	268	Injector Driver 3 Shorted
654	5	270	Injector Driver 4 Open
654	6	271	Injector Driver 4 Shorted
723	2	341	Cam Sync Noise
723	4	342	Cam Sensor Loss
731	2	326	Excessive Knock 1
731	4	327	Knock 1 Sensor Open
1079	3	643	External 5V Reference 1 High
1079	4	642	External 5V Reference 1 Low
1079	31	1611	External 5V Reference Shorted
1080	3	653	External 5V Reference 2 High
1080	4	652	External 5V Reference 2 Low
1268	5	2300	Spark Coil 1 Primary Shorted
1268	6	2301	Spark Coil 1 Primary Short to Power
1269	5	2303	Spark Coil 2 Primary Shorted
1269	6	2304	Spark Coil 2 Primary Short to Power
1270	5	2306	Spark Coil 3 Primary Shorted
1270	6	2307	Spark Coil 3 Primary Short to Power
1271	5	2309	Spark Coil 4 Primary Shorted
1271	6	2310	Spark Coil 4 Primary Short to Power
1347	6	629	Fuel Pump Relay Shorted
1348	3	629	Fuel Pump Relay Shorted
1348	4	628	Fuel Pump Relay Shorted
1348	5	627	Fuel Pump Relay Open
1485	3	687	Power Relay Short to Power
1485	4	686	Power Relay Shorted
1485	5	685	Power Relay Open
1634	13	1673	Calibration Configuration Error
3050	11	420	Gasoline Cat Monitor
3050	11	1165	LPG Cat Monitor
3050	11	1166	NG Cat Monitor
3147	5	628	Fuel Pump Relay Shorted

Table 3-16. Engine Fault Codes - Kubota Engine

SPN Code	FMI Code	DTC	Description
3217	5	134	EG01 Open/Inactive
3227	5	154	EG02 Open/Inactive
3468	1	187	Fuel Temp LPG Low
3673	3	223	TPS2 Signal Voltage High
3673	4	222	TPS2 Signal Voltage Low
4236	0	1151	Closed Loop Multiplier High LPG
4236	0	1153	Closed Loop Multiplier High NG
4236	0	1155	Closed Loop Multiplier High Gasoline
4236	1	1152	Closed Loop Multiplier Low LPG
4236	1	1154	Closed Loop Multiplier Low NG
4236	1	1156	Closed Loop Multiplier Low Gasoline
4237	0	171	Adaptive Learn High Gasoline
4237	0	1161	Adaptive Learn High LPG
4237	0	1163	Adaptive Learn High NG
4237	1	172	Adaptive Learn Low Gasoline
4237	1	1162	Adaptive Learn Low LPG
4237	1	1164	Adaptive Learn Low NG
520260	0	1171	EPR Pressure Higher than Expected
520260	1	1172	EPR Pressure Lower than Expected
520260	3	1174	EPR Voltage Supply High
520260	4	1175	EPR Voltage Supply Low
520260	12	1176	EPR Internal Actuator Fault
520260	12	1177	EPR Internal Circuitry Fault
520260	31	1173	EPR Comm Lost

3.23 COUNTERWEIGHT

If the counterweight has been removed, ensure the retaining bolts are torqued to the proper value as shown in Figure 3-101., Counterweight.



- A. Counterweight
- B. Apply High Strength Threadlocking Compound to Bolt Threads and to Threads in Counterweight.
- C. Torque to 346 ft. lbs. (469 Nm).

Figure 3-101. Counterweight

PARTS FINDER

**Search Website
by Part Number**



**Search Manual
Library For Parts
Manual & Lookup Part
Numbers – Purchase
or Request Quote**

Search Manuals

Enter your information to search for manuals and parts.

* Brand:

* Model:

* Serial:

* Part Number:

SEARCH

**Can't Find Part or
Manual? Request Help
by Manufacturer,
Model & Description**

Parts Order Form

Please fill in the following information:

Manufacturer:

Model:

Description:

Quantity:

Part Number:

Part Name:

Part Description:

Part Location:

Part Condition:

Part Status:

Part Material:

Part Color:

Part Weight:

Part Dimensions:

Part Price:

Part Lead Time:

Part Availability:

Part Notes:

Submit

Discount-Equipment.com is your online resource for quality parts & equipment.

Florida: **561-964-4949** Outside Florida TOLL FREE: **877-690-3101**

Need parts?

Click on this link: <http://www.discount-equipment.com/category/5443-parts/> and choose one of the options to help get the right parts and equipment you are looking for. Please have the machine model and serial number available in order to help us get you the correct parts. If you don't find the part on the website or on once of the online manuals, please fill out the request form and one of our experienced staff members will get back to you with a quote for the right part that your machine needs.

We sell worldwide for the brands: Genie, Terex, JLG, MultiQuip, Mikasa, Essick, Whiteman, Mayco, Toro Stone, Diamond Products, Generac Magnum, Airman, Haulotte, Barreto, Power Blanket, Nifty Lift, Atlas Copco, Chicago Pneumatic, Allmand, Miller Curber, Skyjack, Lull, Skytrak, Tsurumi, Husquvarna Target, , Stow, Wacker, Sakai, Mi-T- M, Sullair, Basic, Dynapac, MBW, Weber, Bartell, Bennar Newman, Haulotte, Ditch Runner, Menegotti, Morrison, Contec, Buddy, Crown, Edco, Wyco, Bomag, Laymor, Barreto, EZ Trench, Bil-Jax, F.S. Curtis, Gehl Pavers, Heli, Honda, ICS/PowerGrit, IHI, Partner, Imer, Clipper, MMD, Koshin, Rice, CH&E, General Equipment, ,AMida, Coleman, NAC, Gradall, Square Shooter, Kent, Stanley, Tamco, Toku, Hatz, Kohler, Robin, Wisconsin, Northrock, Oztec, Toker TK, Rol-Air, Small Line, Wanco, Yanmar

SECTION 4. BOOM & PLATFORM

4.1 BOOM SYSTEMS

Platform Control Enable System

The platform controls make use of a time dependent enable circuit to limit the time availability of enabled controls. When the footswitch is depressed, the controls are enabled and the operator has 7 seconds to operate any control. The controls will remain enabled as long as the operator continues to use any function and will remain enabled 7 seconds after the last function has been used. While the controls are live, the enabled light will be illuminated in the platform display panel. When the time limit has been reached, the enabled light will turn off and the controls will be disabled. To continue use of the machine the controls must be re-enabled to start the timer system over again. This is done by releasing all functions, then releasing and re-depressing the footswitch.

Platform Load Sensing System (LSS)

The Platform Load Sensing System consists of a single load cell mounted within the platform support and a dedicated CAN Bus harness connecting the sensor to the platform console. This System provides the platform load to the Dual capacity system. The control system will light the applicable capacity light in both the platform control box and the ground control station based on the value observed by the LSS system.

When there is a fault in the system, the platform and ground overload indicator will flash, the platform alarm will sound at the rate of 5 sec on / 2 sec off and all platform function controls (except auxiliary power) will be disabled. The ground controls are unaffected unless configured otherwise in the machine setup selection.

If the LSS system senses an overload condition, boom functions will be disabled, the overload alarm will sound at the platform. If power is cycled under this condition, the machine will only allow the boom telescope function to retract and will only allow the boom lift function to lift up, since these actions will bring the platform towards a condition improved stability.

Above Elevation (Above Horizontal) - Drive Speed Cutback System

The above elevation cutout system uses the same angle sensor mounted in the pivot end of the lift cylinder to sense when the boom is raised substantially above horizontal. The articulated jib of the 460SJ may be in any position. When above elevation, the drive motors are automatically restricted to their maximum displacement position (slow speed).

When used in conjunction with the tilt indicator system, and depending upon machine setup, the elevation sensor will cause an alarm to sound and automatically put the machine in the creep speed mode. With the exception of the speed cutback, this is a warning system only. The machine will continue to function. The operator is responsible to prevent the machine from attaining an unstable position. The stable condition of the machine is when high engine and high speed is allowed (at low boom angles).

Transport Position Interlock System (CE only)

The transport position interlock system uses the Transport Position Sensing System to sense when the boom is out of the transport (nearly stowed) position. The articulated jib of the 460SJ may be in any position. All controls are simultaneously functional when the booms are within the transport position as on the standard machine. When the booms are outside of the transport position, the control functions are interlocked to prevent simultaneous operation of any boom function with drive/steer, for CE only.

The first function set to be operated in this mode, becomes the master function set. In other words, while operating drive/steer functions the boom functions are inoperable. Likewise, while operating boom functions drive/steer functions are inoperable. In addition to being an interlock, this system also disallows high speed operation while the booms are beyond the transport position. While in this position, the machine will respond in the same way as described in the "Above Elevation Cutout System" does. As described in the Positive Opening Switch System, the stable condition of the machine is when the use of multiple function operation is allowed (at low boom angles and short boom lengths).

Function Speed Control System

The platform controls for the platform rotation, platform leveling, jib lift, and main boom telescoping are controlled through a common infinitely variable speed control knob. This knob provides a common control signal allowing a smooth ramp up, controlled maximum output speed, and ramp down. Each function has its own personality settings allowing the characteristics of each function to be modified using the standard analyzer. Not all functions will respond the same to the changes in the function speed knob position.

Main Boom Lift End of Stroke Dampening

When the lift cylinder is activated to lower or raise the main boom, the UGM monitors the main boom angle through an angle sensor. When the boom is approaching maximum angle and is within 5° of end of stroke, the UGM will slow down the travelling speed of the cylinder to provide end of stroke dampening by controlling hydraulic valve flow rate of the lift cylinder. The damping rate can be adjusted by personal settings through JLG hand analyzer.

Jib Lift End of Stroke Dampening

The Jib Lift cylinder is constructed in a way that causes the Jib Lift cylinder oil flow to be restricted by an orifice while lowering the jib near the end of stroke at minimum elevation. This restriction reduces the speed of the function just before bottoming out the cylinder.

Machine Safety System Override (MSSO) (CE Only)

The Machine Safety System Override allows the boom and jib to be lowered in the event that a machine safety system is preventing machine operation. This system uses an additional button found on the Ground Panel to allow all boom functions to function from the Ground Station with the engine running. When MSSO is used, an event will be logged in the JLG Control System and will require service access to clear.

Emergency Decent System

The emergency descent system allows the boom and jib to be lowered in the event of primary power (engine power) loss. This system uses electrically powered solenoid valves and the force of gravity to lower the booms and jib.

The following functions are included in this system and will operate normally if the engine is not running and the "auxiliary power" switch has been activated.

- Main Lift Down
- Jib Down
- Fly boom telescope in or out
- Turntable swing

Transport Position Sensing System

The transport position sensing system is consisted of a boom angle sensor (this sensor has built-in redundancy to meet safety related regulations) mounted in the pivot end of the lift cylinder, and two boom length proxy switches mounted near the pivot end of the base boom. The system uses these three sensor/switches combination to sense if the boom is in the position associated with high speed travel. The control circuit reads two redundant angular sensor signals from the boom angle sensor.

Above transport angle is recognized when one angular sensor signal from the boom angle sensor reads more than 5° greater than horizontal (with respect to the turntable), and resets to within transport position when both angular sensor signals read less than 3° greater than horizontal (with respect to the turntable).

Transport length is recognized when any one of the two length switches reads more than 24 in. (61 cm) extension of fly boom. During failures of either of the two length switches, the system will sense a disagreement. Then it will assume the boom is extended out past the limit. The position of the articulated jib is not considered.

This system is used to control the following systems:

- Above Elevation (Above Horizontal) - Drive Speed Cutback System
- Transport Position Interlock System – CE Only
- Oscillating Axle lock up System
- Lift cylinder end of stroke electrical damping stop

The transport position sensing system uses the following components:

- Boom angle sensor
- Boom length sensors

TELESCOPE RETRACTED SENSORS

The Telescope Retracted Sensors measures boom length to control drive speed and the oscillating axle. The two proximity sensors are used as a safety measure in case one sensor fails. The telescope retracted sensors are mounted on the left side of main boom as shown in Figure 4-3.

In transport:

The Sensor 1 (left proximity sensor, refer Figure 4-1.) is normally open sensor which is closed in transport condition. LED for Sensor 1 is ON in transport condition.

The Sensor 2 (right proximity sensor, refer Figure 4-1.) is normally closed sensor which is open in transport condition. LED for Sensor 2 is OFF in transport condition.

- The telescope retracted sensors measure the fly boom extension is less than 12 in. (30.5 cm), drive speed and oscillating axle are not affected.

NOTE: In Transport condition, Using Analyzer under DIAGNOSTICS/SYSTEM, TELE RETRAC SW 1 will read CLOSED and TELE RETRAC SW 2 will read CLOSED.

Out of transport:

The Sensor 1 (left proximity sensor, refer Figure 4-1.) is normally open sensor in out of transport condition. LED for Sensor 1 is OFF when out of transport condition.

The Sensor 2 (right proximity sensor, refer Figure 4-1.) is normally closed sensor in out of transport condition. LED for Sensor 2 is ON when out of transport condition.

- The telescope retracted sensors measure the fly boom extension is more than 12 in. (30.5 cm), drive speed is reduced and oscillating axle is locked.

NOTE: In Out Of Transport condition, Using Analyzer under DIAGNOSTICS/SYSTEM, TELE RETRAC SW 1 will read OPEN and TELE RETRAC SW 2 will read OPEN.

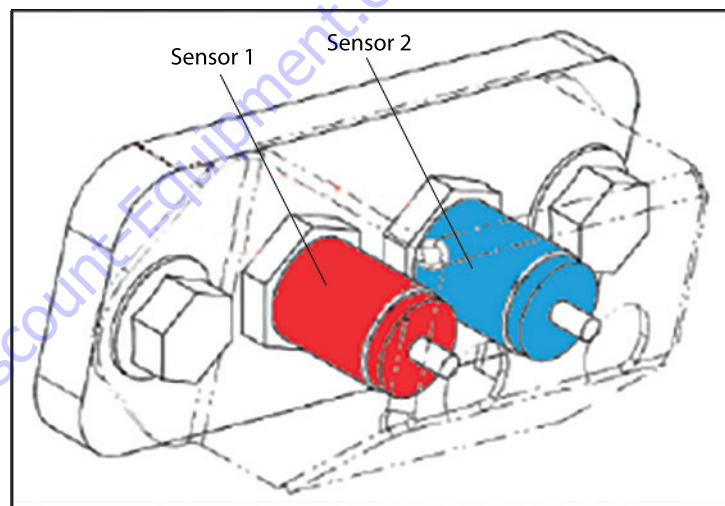


Figure 4-1. Telescope Retracted Sensors

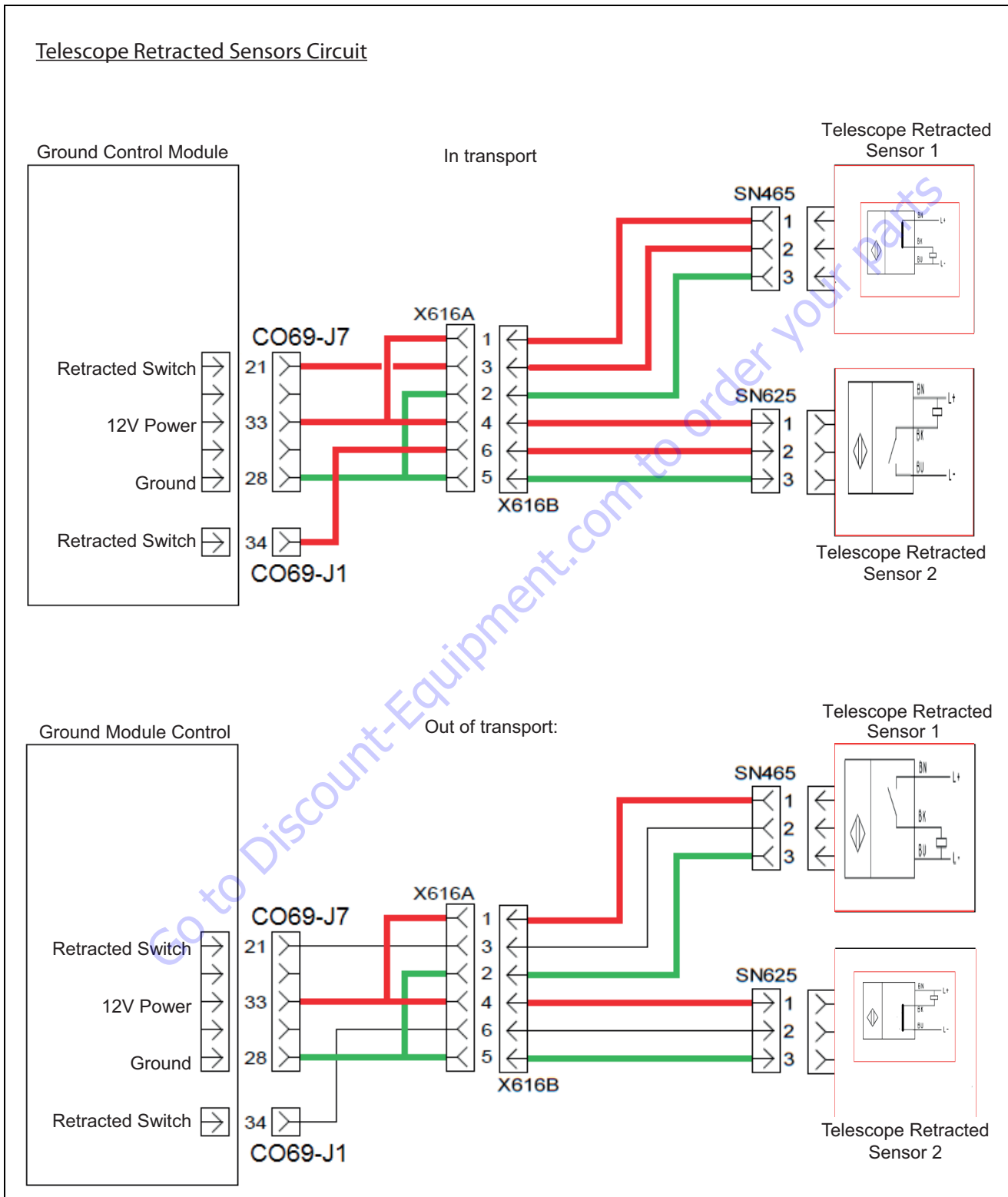


Figure 4-2. Telescope Retracted Sensors Circuit

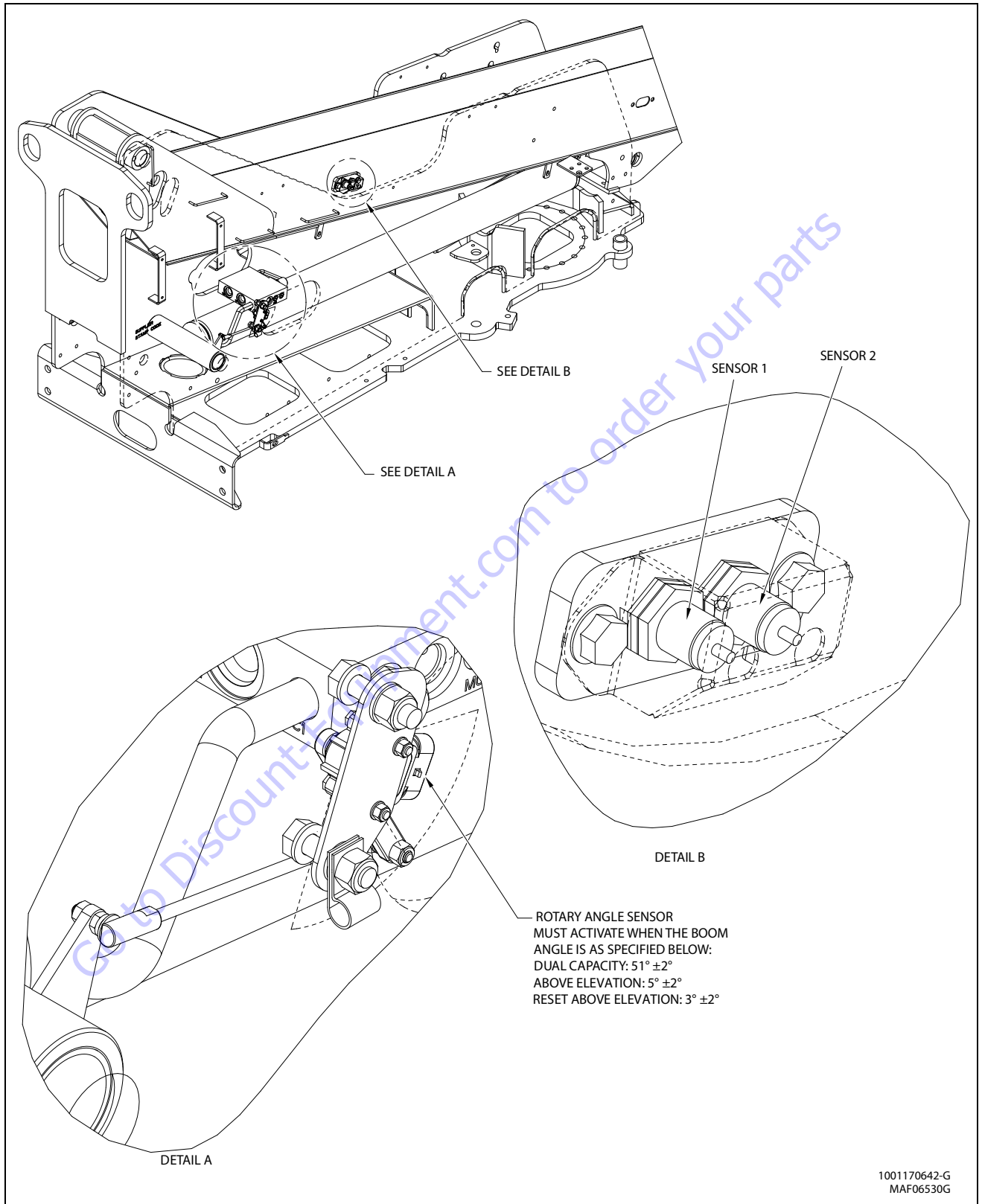


Figure 4-3. Transport Proximity Switch Installation

DUAL CAPACITY SENSORS - 400S ONLY

The Dual Capacity selection and indicator system consists of a capacity mode toggle switch on platform control box, a set of fly boom proximity sensors and a main angle boom sensor. The system prevents the platform from entering the unrestricted 600 lb (272 kg) zone if the restricted 1000 lb (454 kg) mode is selected. The dual capacity sensors are located on the right side of main boom as shown in Figure 4-6.

Unrestricted capacity 600 lb (272 kg):

The Sensor 1 (left proximity sensor, refer Figure 4-4.) is normally open sensor which is closed in unrestricted capacity condition. LED for Sensor 1 is ON in this mode.

The Sensor 2 (right proximity sensor, refer Figure 4-4.) is normally closed sensor which is open in unrestricted capacity condition. LED for Sensor 2 is OFF in this mode.

- The Machine Control Unit will allow the platform to go anywhere in the working envelope. The unrestricted capacity working envelope is shown in Figure 4-4.

NOTE: In Unrestricted capacity zone, Using Analyzer under DIAGNOSTICS/SYSTEM, CAPACITY SW 1 will read OPEN and CAPACITY SW 2 will read OPEN.

Restricted Capacity 1000 lb (454 kg):

The Sensor 1 (left proximity sensor, refer Figure 4-4.) is normally open sensor in unrestricted capacity condition. LED for Sensor 1 is OFF in this mode.

The Sensor 2 (right proximity sensor, refer Figure 4-4.) is normally closed sensor in unrestricted capacity condition. LED for Sensor 2 is OFF in this mode.

- The Machine Control Unit will not allow the platform to go beyond boundaries of the restricted zone. It will allow retraction of the fly boom or lifting up of the main boom. The restricted capacity envelope is shown in Figure 4-4.

NOTE: In Restricted capacity zone, Using Analyzer under DIAGNOSTICS/SYSTEM, CAPACITY SW 1 will read OPEN and CAPACITY SW 2 will read OPEN.

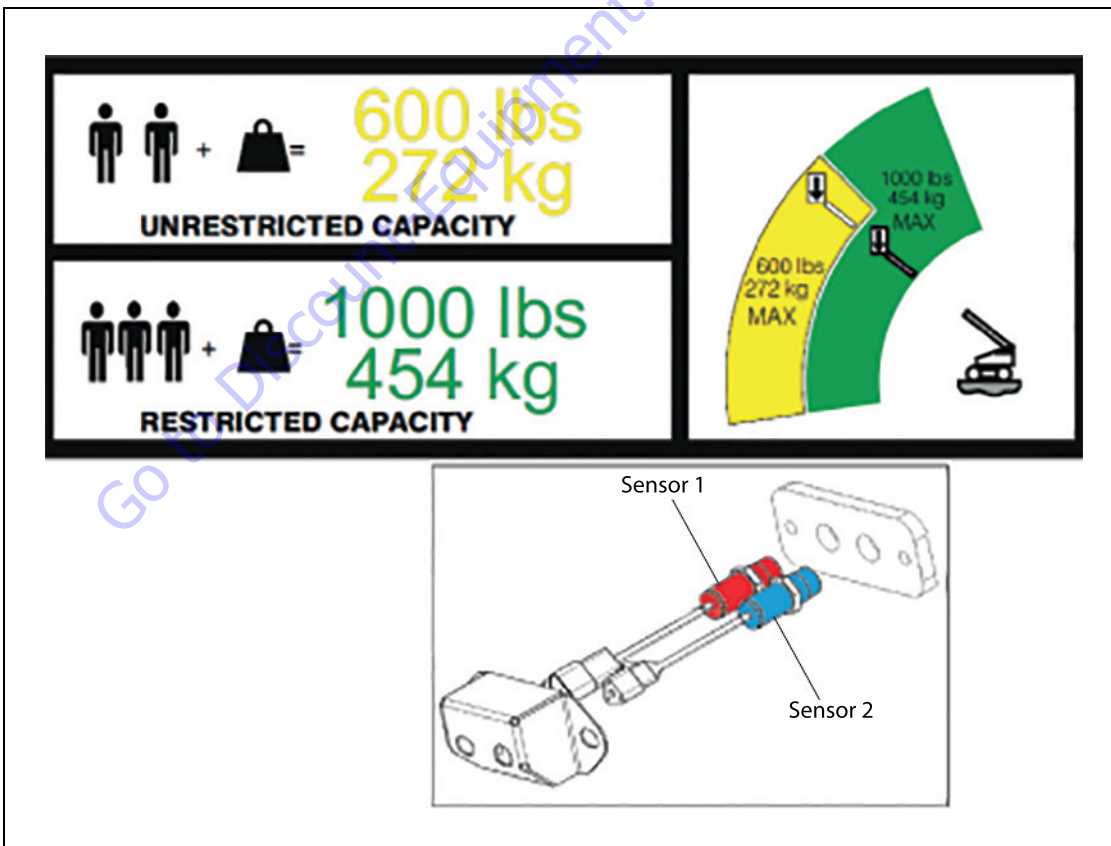


Figure 4-4. Dual Capacity Sensors

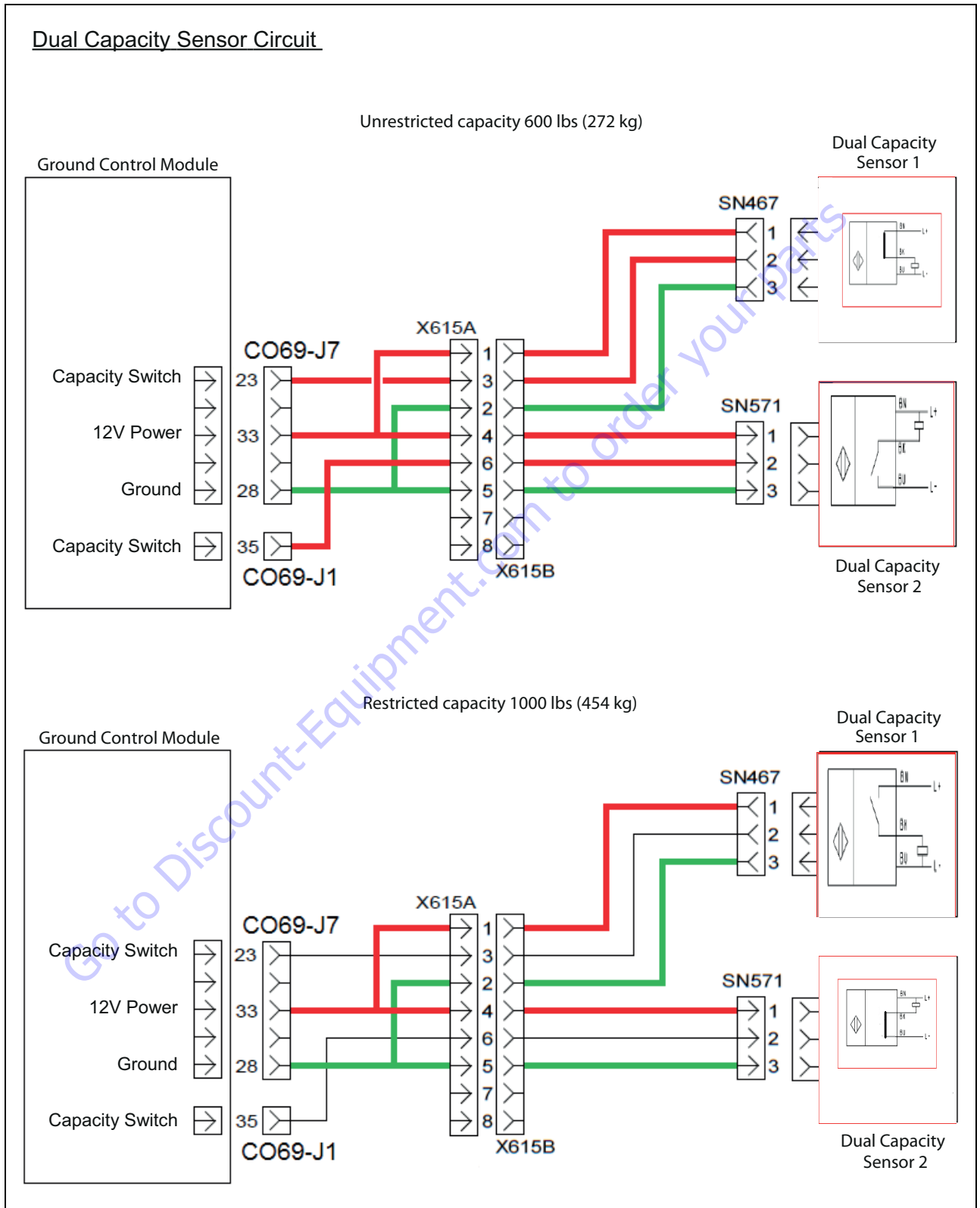


Figure 4-5. Dual Capacity Sensors Circuit

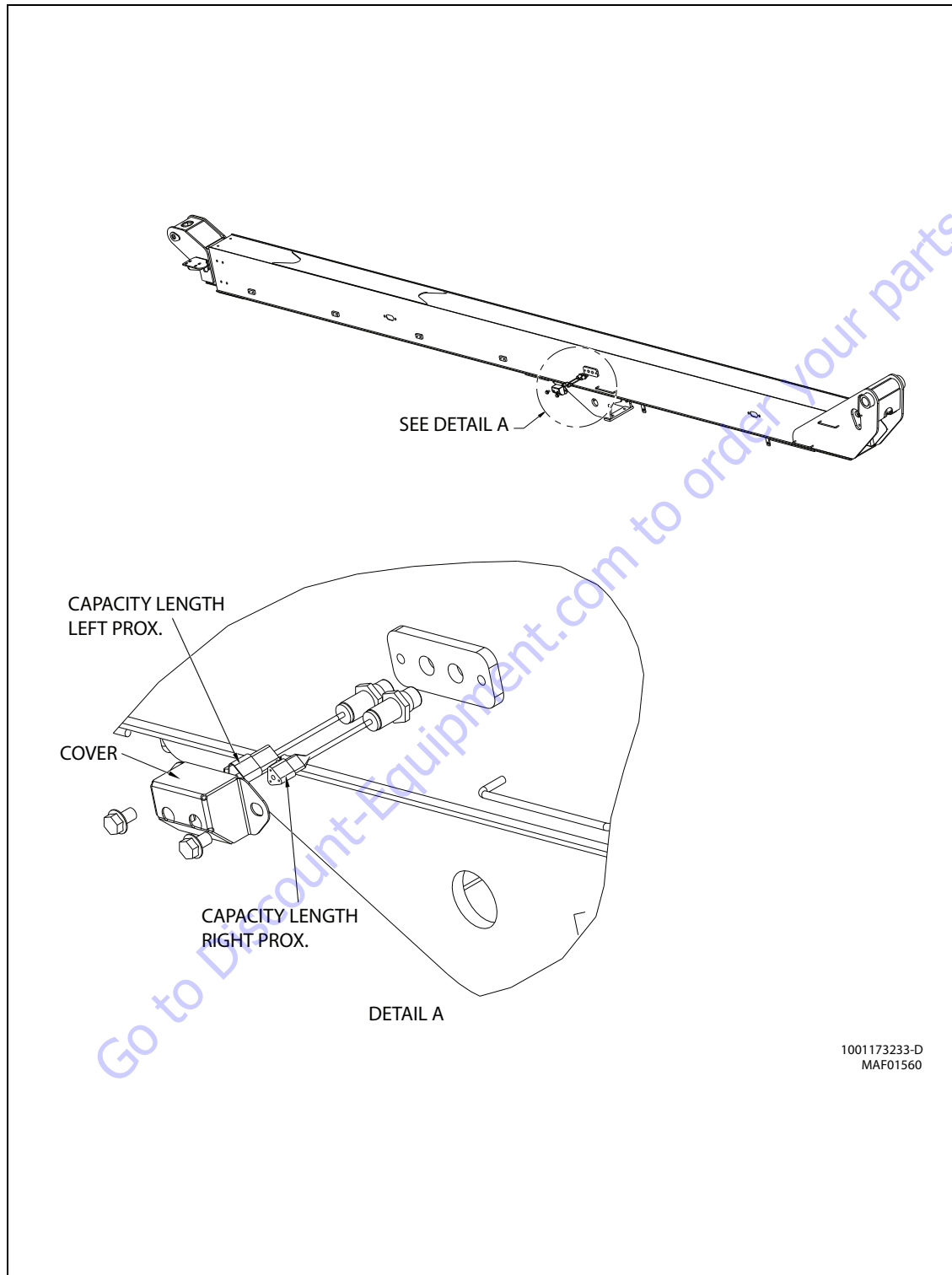


Figure 4-6. Capacity Switch Installation

4.2 PLATFORM

Platform/Support Removal

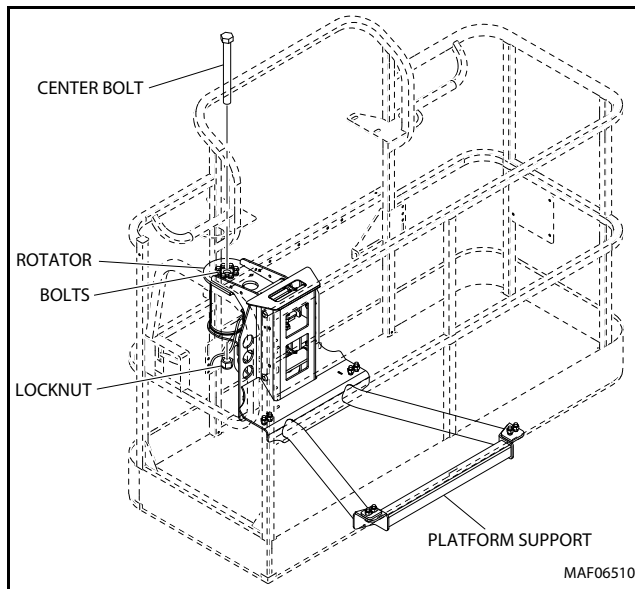
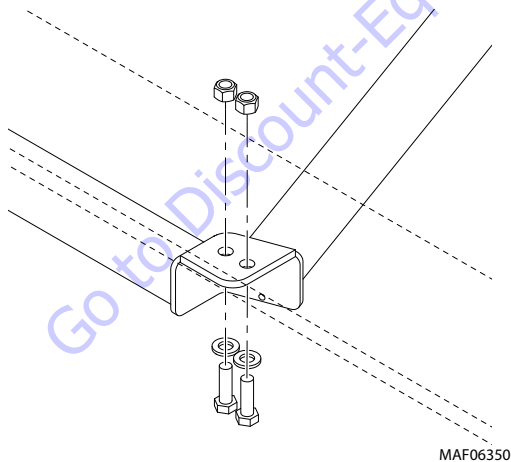


Figure 4-7. Location of Components

1. Disconnect electrical cable from control console.

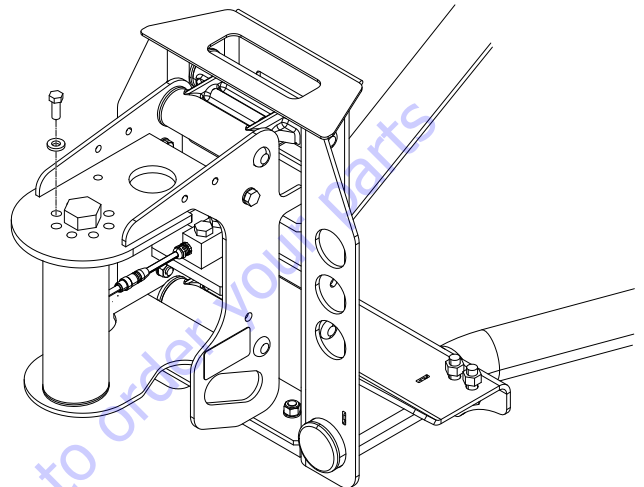
NOTE: The platform weighs approximately 210.2 lb (95.37 kg).

2. Remove the bolts securing the platform to the platform support, then remove the platform.

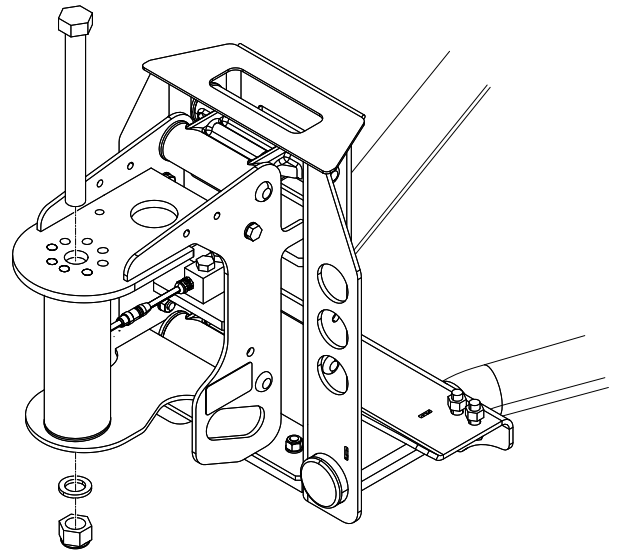


NOTE: The platform support weighs approximately 125 lb (56.8 kg).

3. Using a suitable device, support the platform support.
4. Remove the bolts and washers securing the support to the rotator.



5. Using a suitable brass drift and hammer, remove the center bolt and locknut.

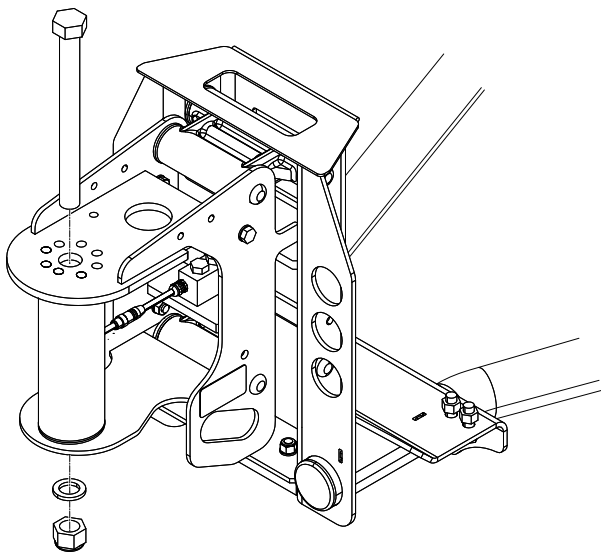


6. Remove the platform support from rotator.

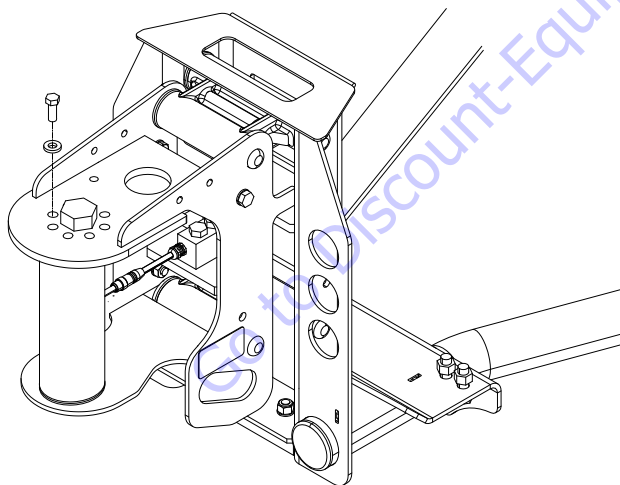
Platform/Support Installation

NOTE: The platform support weighs approximately 125 lb (56.8 kg).

1. Using a suitable device, support the platform support and position it on the rotator.
2. Install the rotator center bolt and locknut.



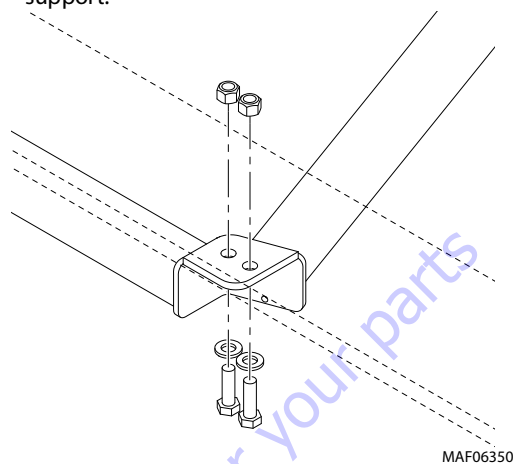
3. Apply Medium Strength Threadlocking Compound to the eight bolts securing the support to the rotator and install the bolts.



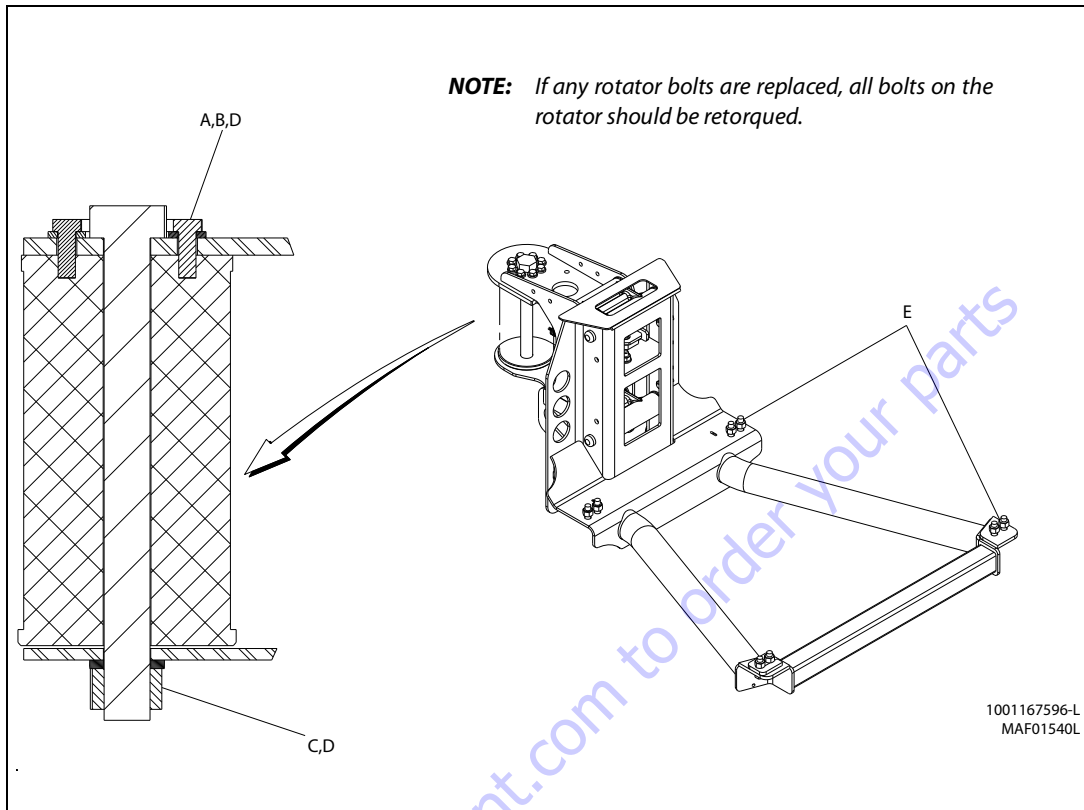
4. Torque the nut on the rotator center bolt and the retaining bolts.

NOTE: The platform weighs approximately 210.2 lb (95.37 kg).

5. Position the platform on the platform support and install the bolts securing the platform to the platform support.



6. Connect the electrical harness to the platform control console.



- A Torque to 40 ft. lbs. (55 Nm)
- B Medium Strength Threadlocking Compound
- C Torque to 586 ft. lbs. (795 Nm)
- D Check torque every 150 hours of operation
- E Torque to 71.5 ft. lbs (97 Nm)

Figure 4-8. Platform Support Torque Values (Single Cell LSS)

4.3 ROTATOR AND PLATFORM LEVEL CYLINDER

Removal

Refer Figure 4-9., Removal/Installation of Components - Rotator and Platform Level Cylinder.

400S

1. Remove the Platform and Platform Support. Refer Section 4.2 - Platform.
2. Extend the fly boom section out to gain access to the platform level cylinder pin.
3. Tag and disconnect hydraulic lines to rotator. Use suitable container to retain any residual hydraulic fluid. Cap or plug all openings of hydraulic lines and ports.

NOTE: The rotator weighs approximately 44.1 lb (20 kg).

4. Supporting the rotator, remove hardware from pin #1. Using a suitable brass drift and hammer remove pin #1.

NOTE: The platform level cylinder weighs approximately 30 lb (25.1 kg).

5. Supporting the platform level cylinder, remove the hardware from pin #2. Using a suitable brass drift and hammer, remove pin #2 from the fly boom and remove the rotator.
6. Tag and disconnect hydraulic lines to platform level cylinder. Use suitable container to retain any residual hydraulic fluid. Cap or plug all openings of hydraulic lines and ports.
7. Remove the hardware from pin #3. Using a suitable brass drift and hammer remove pin #3 from the fly boom and remove platform level cylinder.

460SJ

1. Remove the Platform and Platform Support. Refer Section 4.2 - Platform.
2. Extend the fly boom section out to gain access to the platform level cylinder pin.
3. Tag and disconnect hydraulic lines to rotator. Use suitable container to retain any residual hydraulic fluid. Cap or plug all openings of hydraulic lines and ports.

NOTE: The rotator weighs approximately 58 lb (26 kg).

NOTE: The jib assembly weighs approximately 310 lb (141 kg).

4. Supporting the rotator and jib assembly, remove hardware from pin #1. Using a suitable brass drift and hammer remove pin #1 from the jib assembly.
5. Remove the hardware from pin #2. Using a suitable brass drift and hammer, remove pin #2 from the jib assembly and remove the rotator.

NOTE: The platform level cylinder weighs approximately 30 lb (25.1 kg).

6. Supporting the platform level cylinder, remove the hardware from pin #3. Using a suitable brass drift and hammer remove pin #3 from the jib assembly.
7. Remove the hardware from pin #4. Using a suitable brass drift and hammer remove pin #4 from the fly boom. Remove the platform level cylinder.

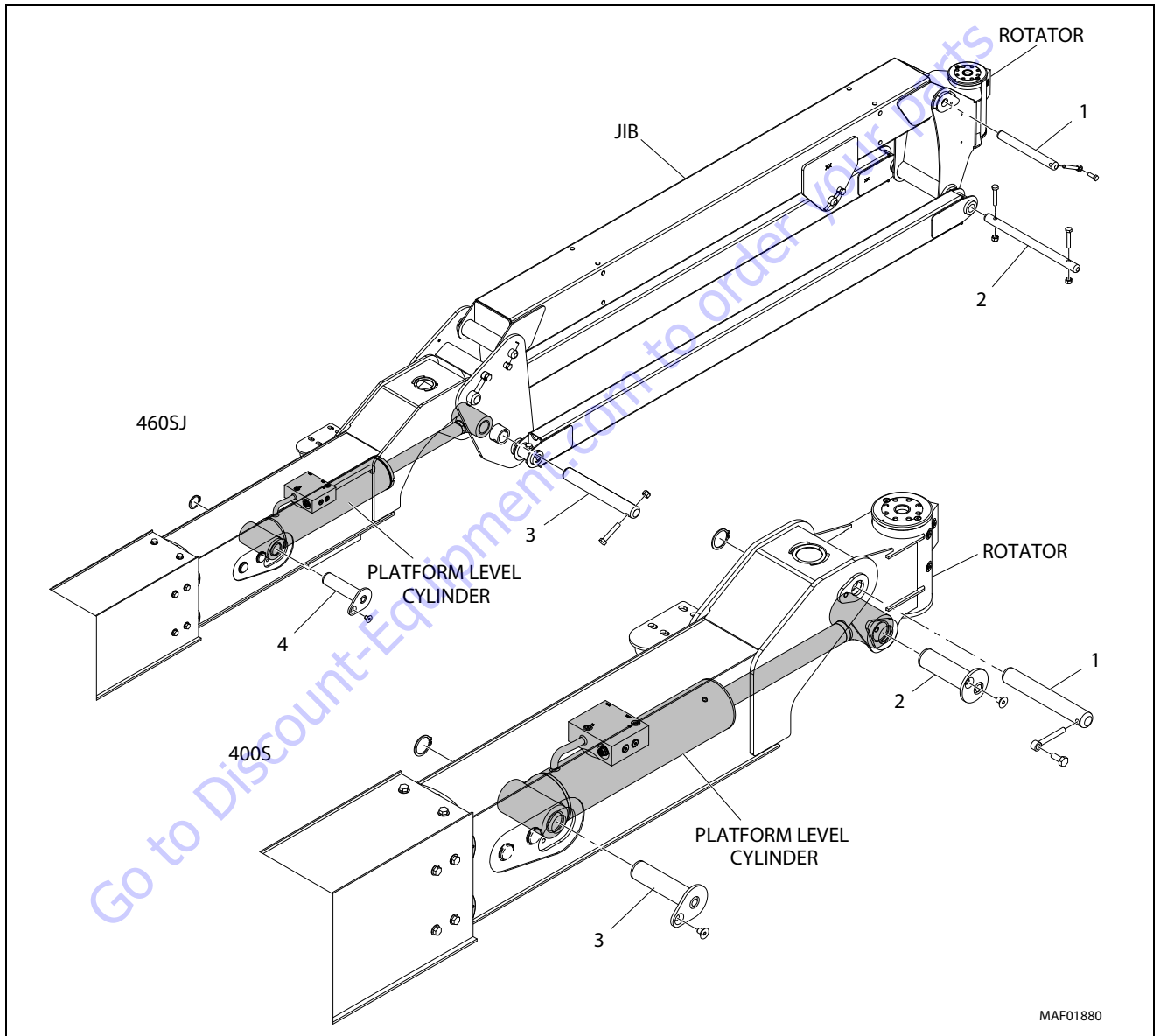


Figure 4-9. Removal/Installation of Components - Rotator and Platform Level Cylinder

Installation

Refer Figure 4-9., Removal/Installation of Components - Rotator and Platform Level Cylinder.

400S

NOTE: *The platform level cylinder weighs approximately 30 lb (25.1 kg).*

1. Support the platform level cylinder. Using a suitable brass drift and hammer, install pin #3 to the fly boom. Install hardware securing pin #3.

NOTE: *The rotator weighs approximately 44.1 lb (20 kg).*

2. Support the rotator. Using a suitable brass drift and hammer, install pin #2 to the fly boom. Install hardware securing pin #2.
3. Using a suitable brass drift and hammer, install pin #1 to the rotator. Install hardware securing pin #1 and torque to 40 ft. lbs. (55 Nm).
4. Remove cap or plugs from openings of hydraulic lines and ports and connect hydraulic lines to rotator and platform level cylinder as tagged during removal.

460SJ

NOTE: *The platform level cylinder weighs approximately 30 lb (25.1 kg).*

1. Support the platform level cylinder. Using a soft head mallet, install pin #4 to the fly boom. Install hardware securing pin #4.

NOTE: *The jib assembly weighs approximately 310 lb (141 kg).*

2. Support the jib assembly. Using a soft head mallet install pin #3 to jib assembly. Install hardware securing pin #3.

NOTE: *The rotator weighs approximately 58 lb (26 kg).*

3. Support the rotator. Using a soft head mallet, install pin #2 to the jib assembly. Install hardware securing pin #2.
4. Using head mallet install pin #1 to jib assembly and install the rotator. Install hardware securing pin #1 and torque to 40 ft. lbs. (55 Nm).
5. Remove cap or plugs from openings of hydraulic lines and ports and connect hydraulic lines to rotator and platform level cylinder as tagged during removal.

4.4 MAIN BOOM POWERTRACK

Removal

1. Disconnect wiring harness connectors located in turntable.
2. Tag and disconnect hydraulic lines from connectors at boom assembly. Use suitable container to retain any residual hydraulic fluid. Cap or plug all openings of hydraulic lines and ports.
3. Remove hydraulic lines and electrical cables from powertrack.
4. Using suitable lifting equipment, adequately support powertrack weight along entire length.

NOTE: The powertrack weighs approximately 44 lb (20 kg).

5. Remove bolts #1 securing the push tube on the fly boom.

6. With powertrack supported and using all applicable safety precautions, remove bolts #2, and #3 securing rail to the carrier tube and push tube. Remove powertrack from boom.

Installation

1. Using suitable lifting equipment, adequately support the powertrack weight along entire length.

NOTE: The powertrack weighs approximately 44 lb (20 kg).

2. With powertrack supported and using all applicable safety precautions, align and install bolts #2 and #3 securing rail to the carrier tube and push tube.
3. Install bolts #1 securing the push tube on the fly boom.
4. Remove cap or plugs from opening of hydraulic lines and port connect all hydraulic lines and electrical cable to the powertrack as tagged during removal.

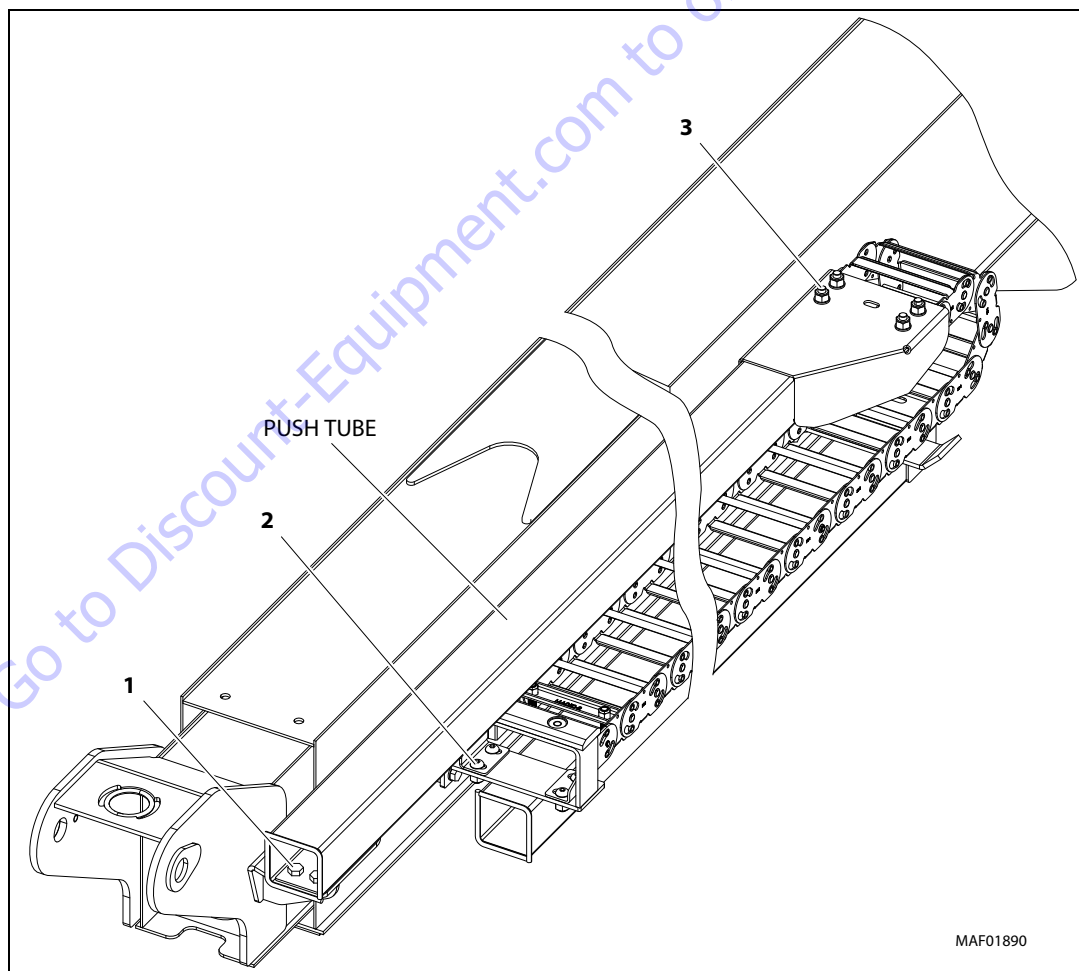


Figure 4-10. Location of Components - Powertrack

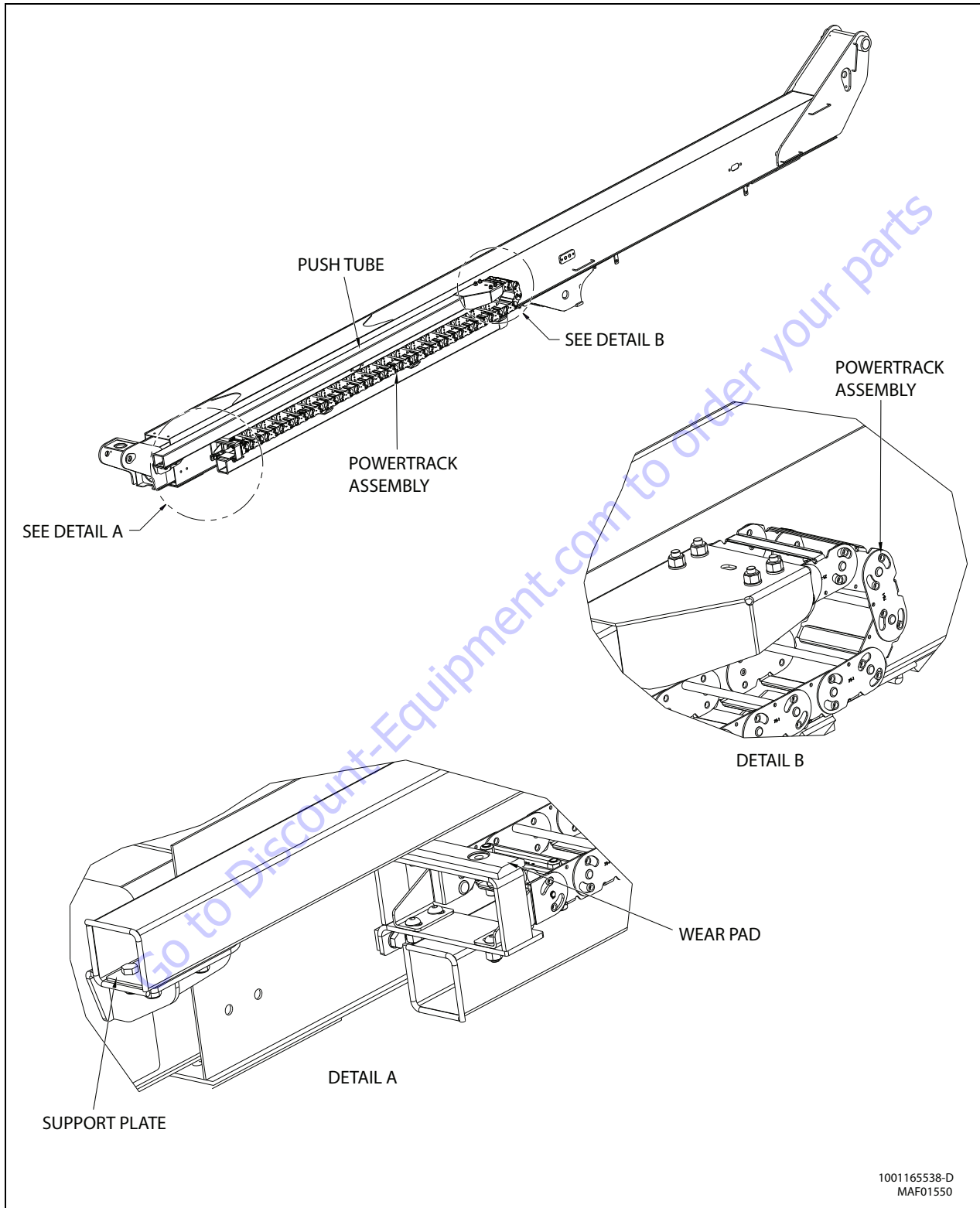


Figure 4-11. Powertrack Installation

Powertrack Maintenance

REMOVE LINK

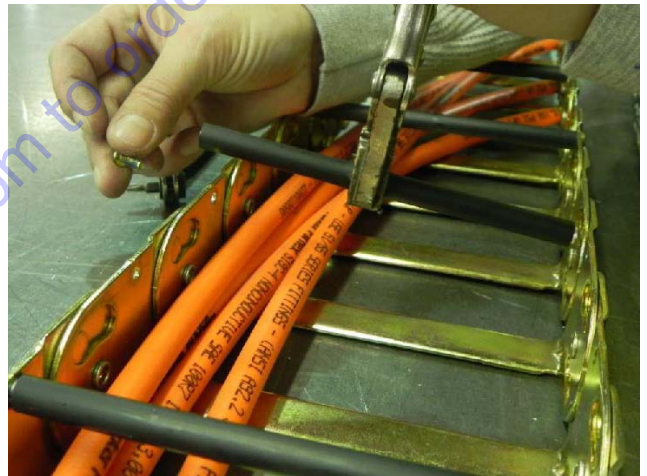
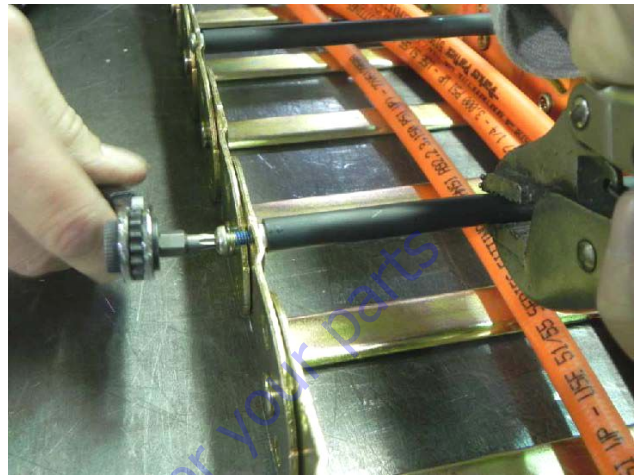
NOTE: Hoses shown in powertrack are for example only. Actual hose and cable arrangements are different.



1. Clamp bar and poly roller tightly so they do not spin when removing screw. With a small 1/4 in. ratchet and a T-20 torx bit, remove 8-32 x 0.500 screw from one side.



2. Repeat step 1 and remove screw from other side of track. Remove bar/poly roller from powertrack.



SECTION 4 - BOOM & PLATFORM

NOTICE

REPOSITION CABLES/HOSES AND KEEP COVERED DURING GRINDING TO PREVENT DAMAGE.

3. To remove a link, rivets holding links together must be removed. Use a right-angle pneumatic die grinder with a 1/4 in. ball double cut bur attachment.

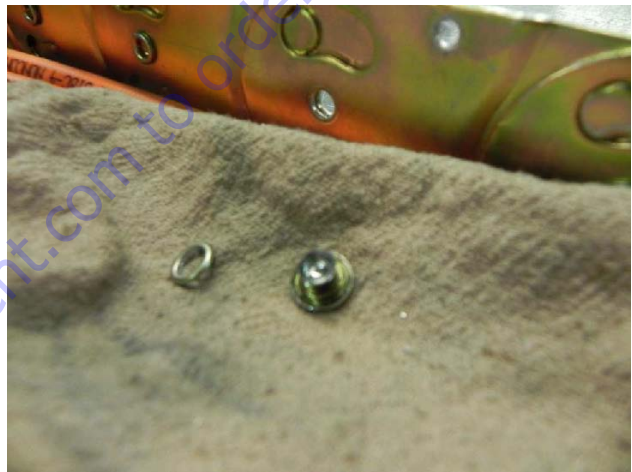


4. Insert tool into rolled over end of rivet. Grind out middle of rivet until rolled over part of rivet falls off. Repeat for all rivets to be removed.

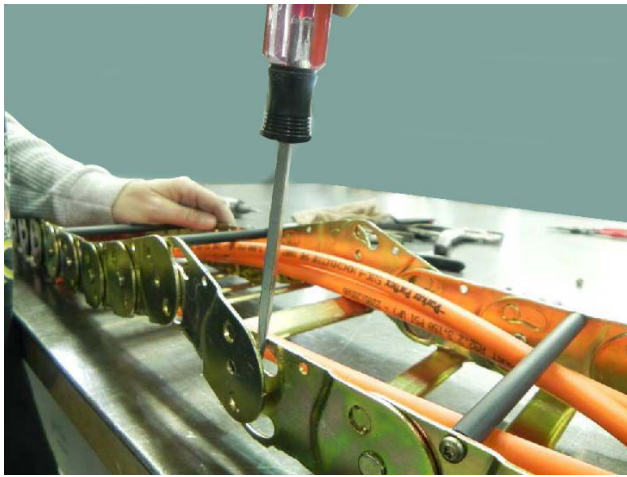


5. After grinding it may be necessary to use a center punch with a hammer to remove rivet.

NOTE: It may be necessary to loosen fixed end brackets from machine to move track section enough to disconnect links.



6. Insert flat head screwdriver between links. Twist and pull links apart.



7. Remove link from other section of powertrack using screwdriver.



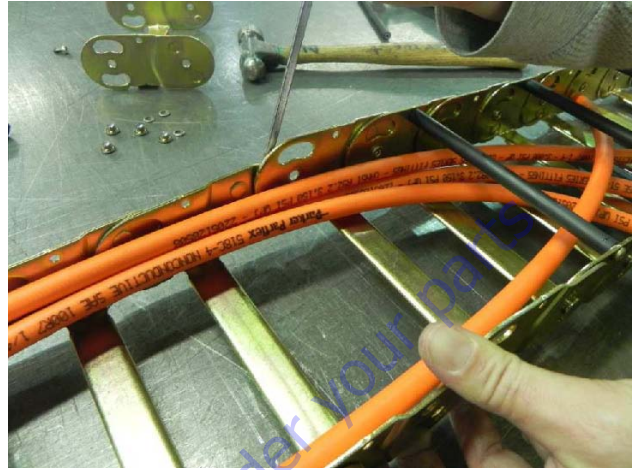
SECTION 4 - BOOM & PLATFORM

INSTALL NEW LINK

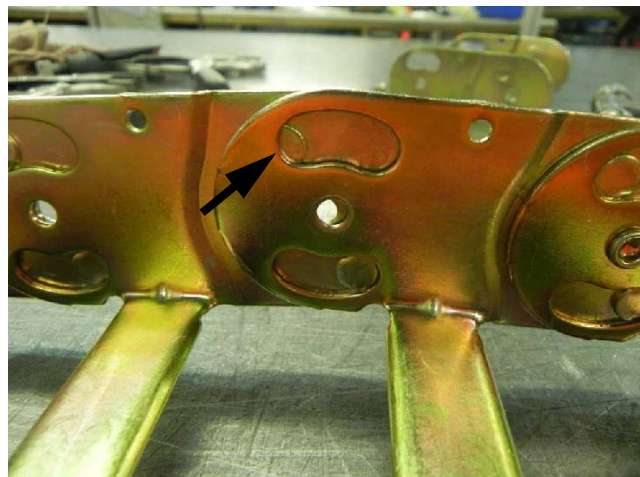
1. Squeeze cut-out end of new link into half-shear (female) end of track section.



2. Spread half-shear (female) end of new link and slide cut-out end of track section into it. Use a screwdriver if necessary.



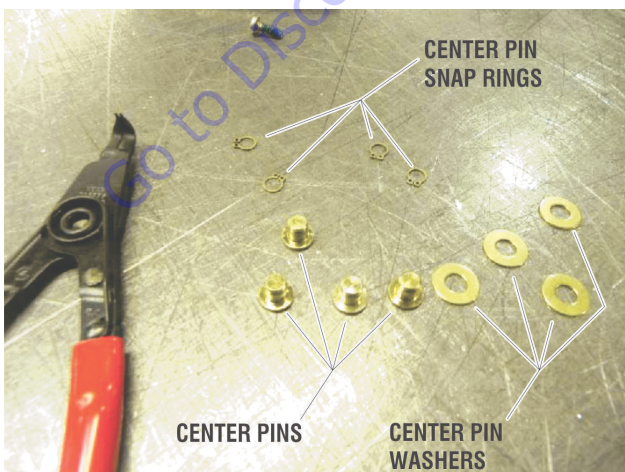
3. After new link is installed round half-shears do not fit properly in cut-outs.



4. Pull moving end over track so new connection is positioned in curve of powertrack. Round half-shears will rotate into cut-outs.



5. Parts shown below connect new link to powertrack.



6. Push pin through center hole then slide washer on pin.



7. Install snap ring in groove on pin. Repeat pin installation steps for all center holes with rivets removed.

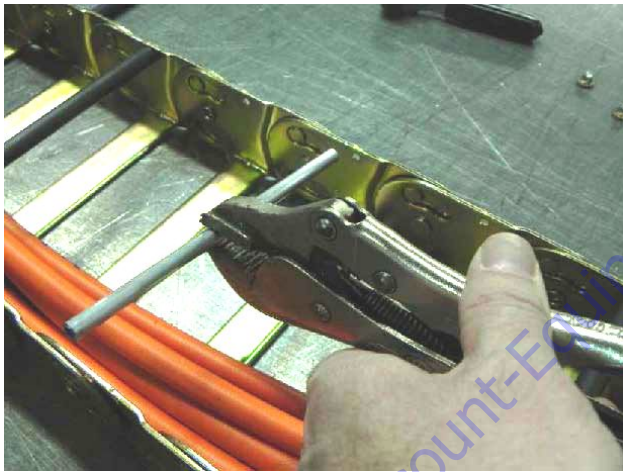


SECTION 4 - BOOM & PLATFORM

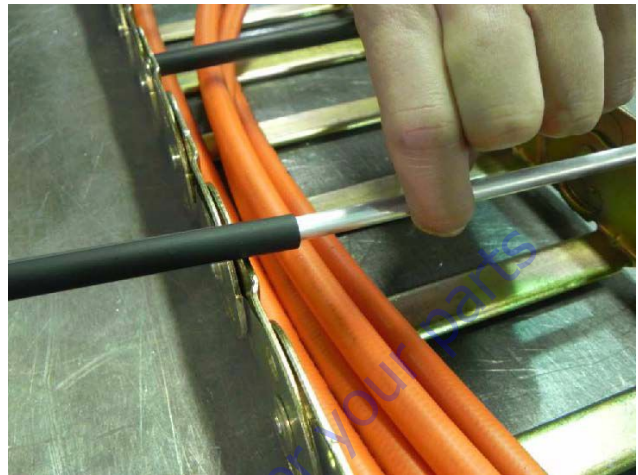
NOTE: Make sure snap rings are seated in pin groove and closed properly.



1. Install new 8-32 x 0.500 self-threading torx head screw in end of new aluminum round bar. Torque to 18-20 in. lbs. (2-2.25 Nm).



2. Pull up on other end of round bar and slide new poly roller on bar.



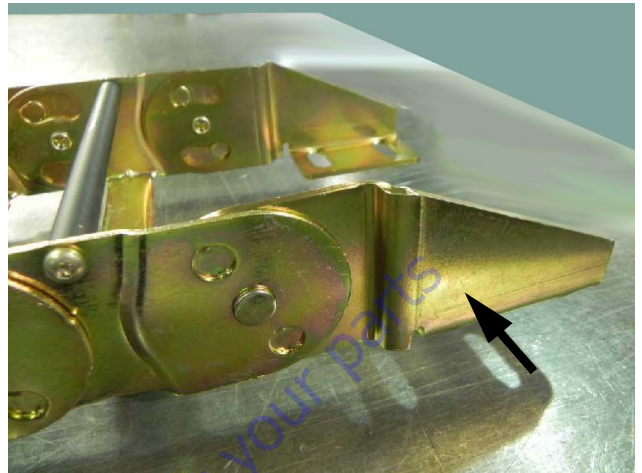
3. Install new 8-32 x 0.500 self threading screw on other side. Torque to 18-20 in. lbs. (2-2.25 Nm).



NOTE: When tightening screws make sure screw head is seated against link with no space in between link and underside of screw head.



REPLACE FIXED END BRACKETS



NOTICE

REPOSITION CABLES/HOSES AND KEEP COVERED DURING GRINDING TO PREVENT DAMAGE.

1. Remove rivets as shown in link removal instructions on page 4-17.



SECTION 4 - BOOM & PLATFORM

2. Parts used: Bracket Center Pin and Center Pin Snap Ring.



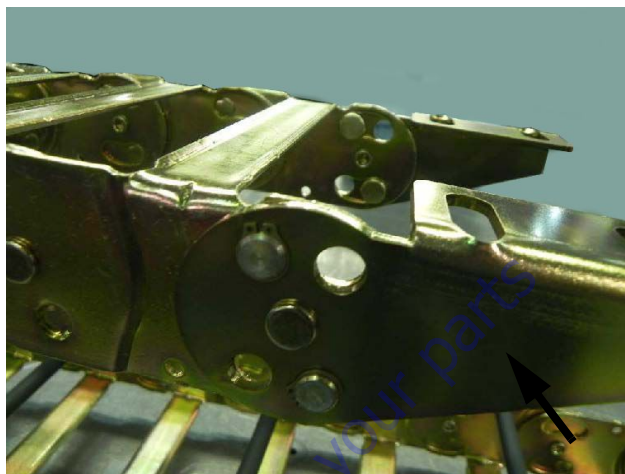
3. Take new bracket and install bracket center pin and snap ring. Repeat on other bracket if replacing it.



NOTE: When installing snap rings make sure they are seated in pin groove and closed properly.



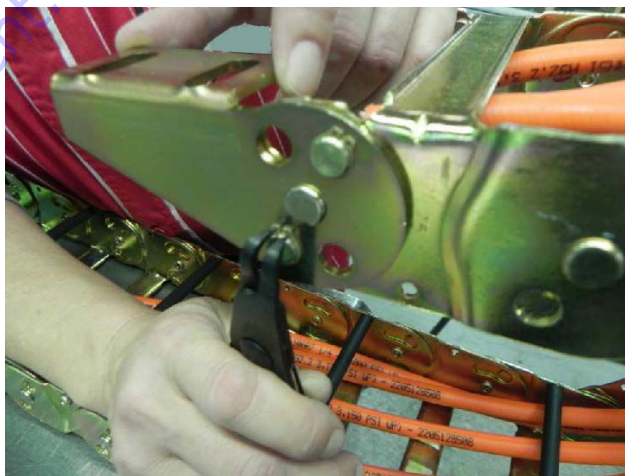
REPLACE MOVING END BRACKETS



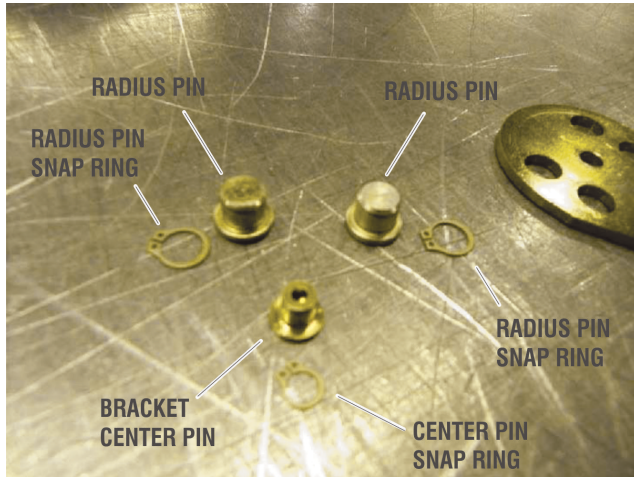
NOTICE

REPOSITION CABLES/HOSES AND KEEP COVERED DURING GRINDING TO PREVENT DAMAGE.

1. Remove existing pins and center rivet. Remove rivet as shown in link removal instructions on page 4-18. Repeat on other bracket if replacing it.



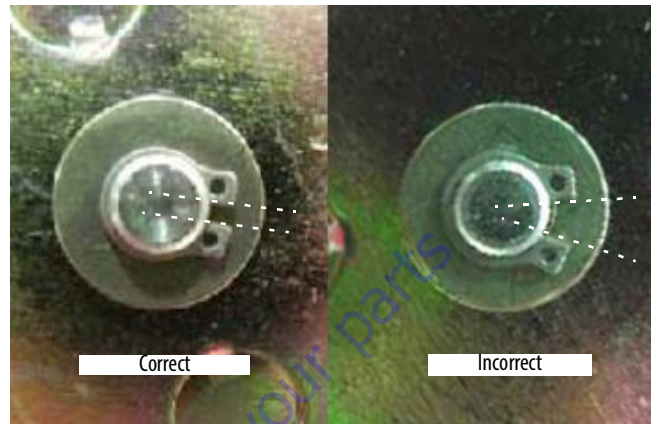
2. Install center pin with snap ring in new bracket.



3. Install radius pins and snap rings in original locations. Repeat with other moving end if replacing it.



NOTE: When installing snap rings make sure they are seated in pin groove and closed properly.



4. Make sure both brackets rotate correctly.



4.5 BOOM ASSEMBLY

Removal

NOTE: The 400S main boom assembly weighs approximately 1300 lb (600 kg). The 460SJ main boom assembly weighs approximately 1700 lb (790 kg).

1. Remove the jib and platform assembly. Refer to Section 4.2 - Platform and Section 4.6 - Jib (460SJ Only).
2. Using suitable lifting device, adequately support boom assembly weight along entire length.
3. Attach an adequate supporting device to the main lift cylinder and master cylinder to support its weight.

NOTE: The main lift cylinder weighs approximately 271.6 lb (123.2 kg).

4. Remove bolt and keeper pin from main lift cylinder pin #1. Using a suitable brass drift and hammer, remove the cylinder pin #1 securing main lift cylinder to main boom.

NOTE: The master cylinder weighs approximately 66 lb (30 kg).

5. Remove bolt and keeper pin from master cylinder pin #2. Using a suitable brass drift and hammer, remove the cylinder pin #2 securing master cylinder to main boom.
6. Remove bolt and keeper pin from main boom pin #3. Using a suitable brass drift and hammer, remove the pin #3 securing main boom to turntable.
7. Tag and disconnect hydraulic lines from telescope cylinder. Use suitable container to retain any residual hydraulic fluid. Cap or plug all openings of hydraulic lines and ports.
8. Using all applicable safety precautions, carefully lift boom assembly clear of turntable and lower to ground or suitably supported work surface.

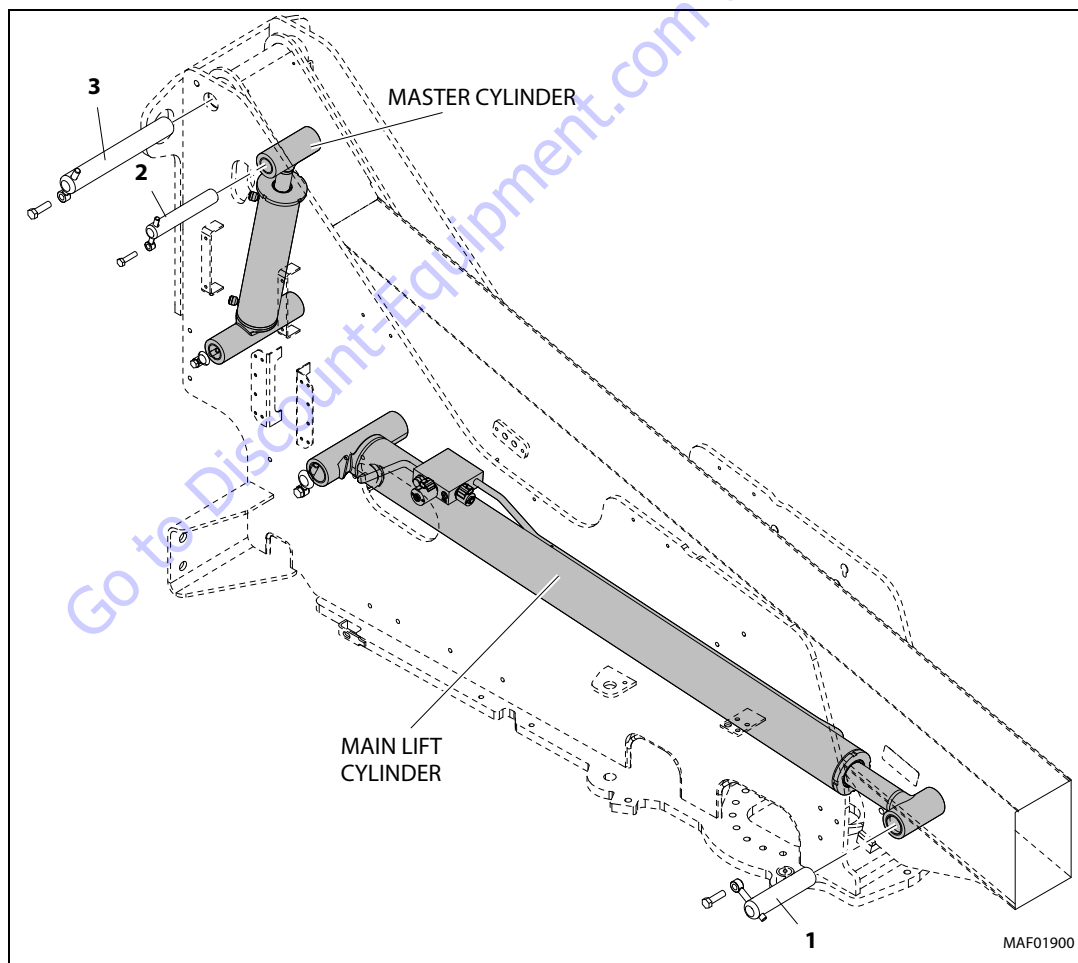
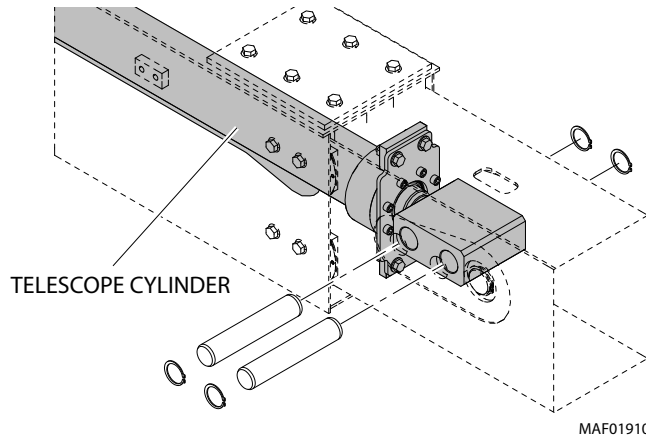


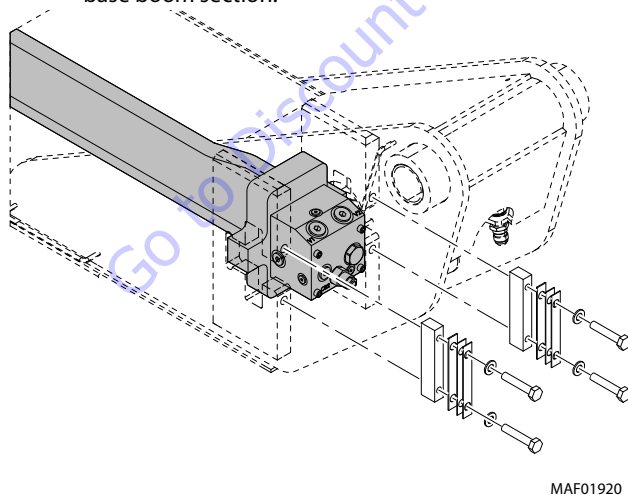
Figure 4-12. Main Boom Removal

Disassembly

1. Using a portable power source, attach hose to telescope cylinder port block. Using all applicable safety precautions, activate hydraulic system and extend cylinder to gain access to cylinder rod retaining pin. Shut down hydraulic system.

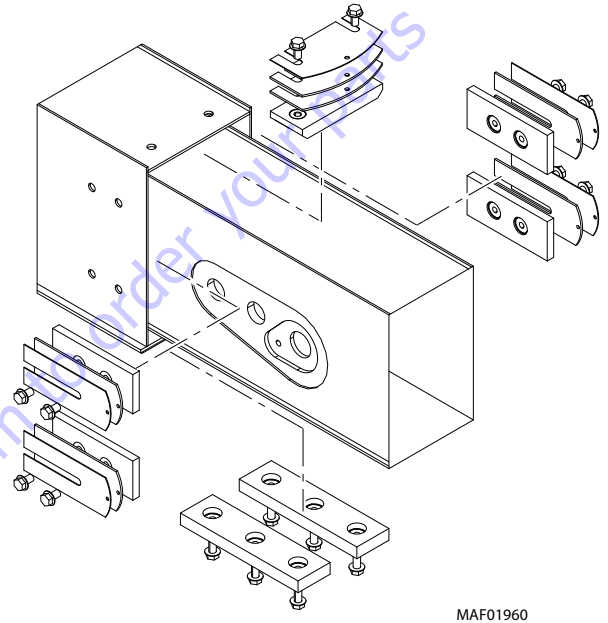


2. Carefully disconnect hydraulic hose from retract port of cylinder. There will be initial weeping of hydraulic fluid which can be caught in a suitable container. After initial discharge, there should be no further leakage from the retract port.
3. Remove hardware securing telescope cylinder pin to Fly Boom. Using a suitable brass drift and hammer, remove the telescope cylinder pin securing telescope cylinder to fly boom.
4. Remove hardware securing telescope cylinder to the base boom section.



NOTE: The telescope cylinder weighs approximately 373 lb (169 kg).

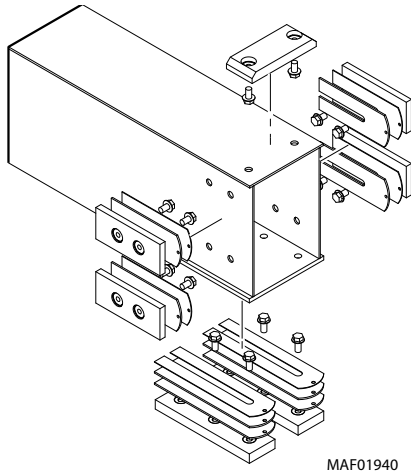
5. Using a suitable lifting device, remove telescope cylinder from boom.
6. Tag and disconnect all hoses and wires from front of fly boom and bottom of base boom for reassembly.
7. Remove hardware securing the front wear pads on base boom section, remove wear pads.



8. Using a suitable lifting device, remove fly boom from base boom section.

NOTE: The 400S fly boom section weighs approximately 290 lb (131 kg). The 460SJ fly boom section weighs approximately 350 lb (159 kg).

9. If necessary, remove the wear pads from the rear of the fly boom section.

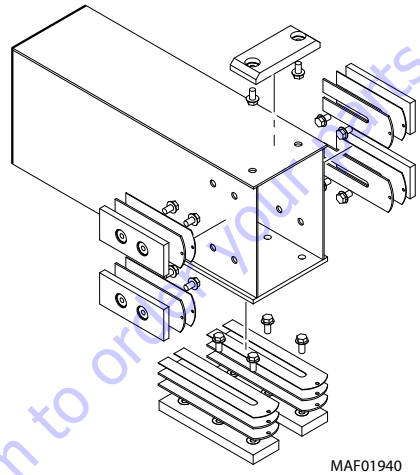


Inspection

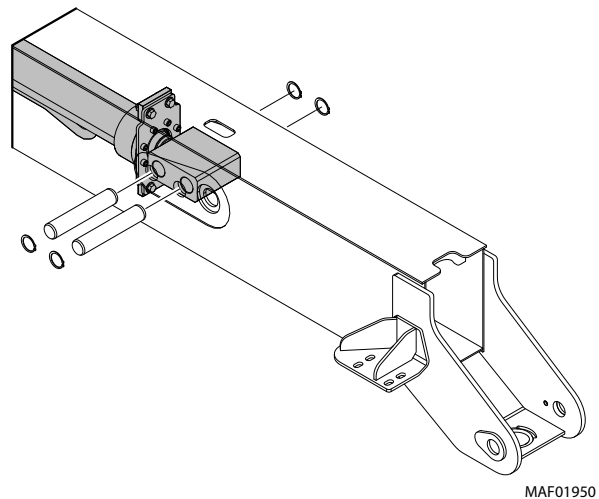
1. Inspect all boom pivot pins for wear, scoring or other damage, and for tapering or ovality. Replace pins as necessary.
2. Inspect lift cylinder pins for wear, scoring or other damage, and for tapering or ovality. Ensure pin surfaces are protected prior to installation. Replace pins as necessary.
3. Inspect telescope cylinder rod attach pin for wear, scoring or other damage. Replace pin as necessary.
4. Inspect inner diameter of boom pivot bushings for scoring, distortion, wear or other damage. Replace bushings as necessary.
5. Inspect wear pads for wear.
6. Inspect all threaded components for damage such as stretching, thread deformation, or twisting. Replace as necessary.
7. Inspect structural units of boom assembly for bending, cracking, separation of welds, or other damage. Replace boom sections as necessary.

Assembly

1. Using Medium Strength Threadlocking Compound or equivalent, install the bottom wear pads and shims as noted during disassembly on the rear of the fly section. Install the rest of the wear pads on the rear of the fly boom but do not install the shims or torque them at this time.



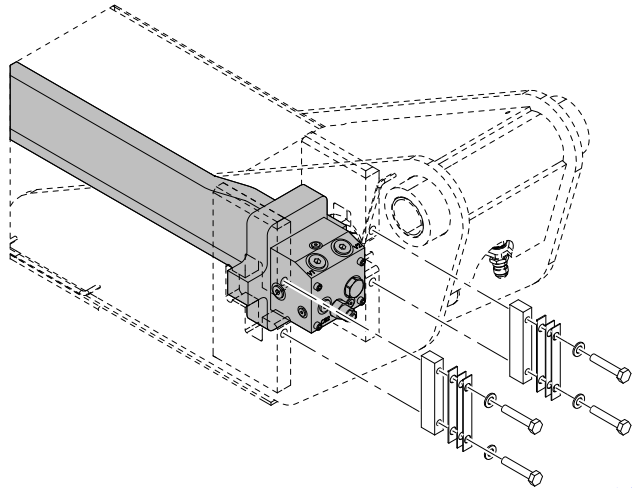
2. Using a suitable lifting equipment, lift and slide telescope cylinder into the aft end of fly boom. Align attachment holes in fly boom section with hole in rod end of telescope cylinder.
3. Install telescope cylinder pin and secure with retaining rings.



4. Using suitable lifting equipment, slide fly boom assembly into the base section until the telescope cylinder attach point aligns with holes in side of base section.

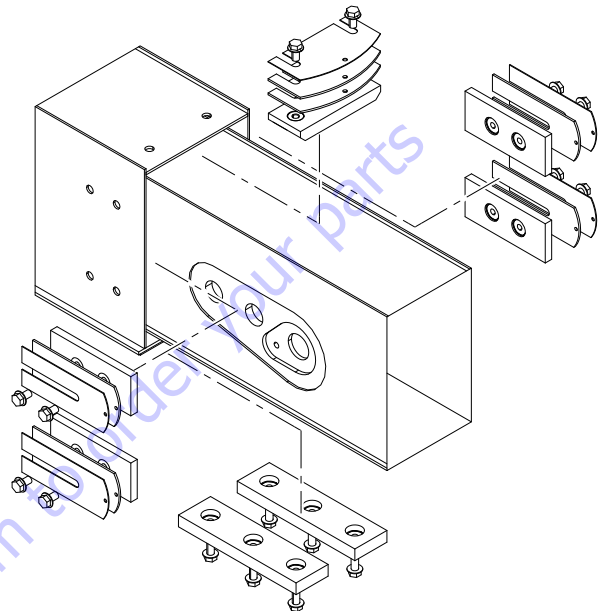
NOTE: The 400S fly boom section weighs approximately 660 lb (300 kg). The 460SJ fly boom section weighs approximately 720 lb (325 kg).

5. Align bolt holes at aft end of base boom section with telescope cylinder port block. Secure telescope cylinder with hardware.



MAF01920

6. Using Medium Strength Threadlocking Compound or equivalent, install wear pads at front end of base boom. Using shims, adjust the adjustable wear pads to zero clearance. Adjust pads alternately side to side, so that fly boom section is centered in base boom section.



MAF01960

7. Retract boom section fully. Using shims, adjust wear pads at aft end of boom section to zero clearance. Adjust pads alternately side to side, so that fly boom section is centered in base boom section.
8. Disconnect auxiliary power source from telescope cylinder.

Installation

NOTE: The 400S main boom alone weighs approximately 1300 lb (600 kg). The 460 SJ main boom alone weighs approximately 1700 lb (790 kg)

1. Using all applicable safety precautions, carefully lift boom assembly to align the pivot holes in the boom with those of the turntable.
2. Using a soft head mallet, install the pivot pin #3 into the turntable. Install the bolt and keeper pin securing the boom pivot pin #3 to the turntable.
3. Using an adequate supporting device, align the master cylinder with the mounting holes on the boom and turntable.

NOTE: The master cylinder weighs approximately 66 lb (30 kg).

NOTE: When installing the master cylinder rod end pin, insert the keeper hardware pin to prevent the pin from inserting too far.

4. Extend the master cylinder by using auxiliary power if required. Install the master cylinder rod end pin #2 into the base boom. Using a soft head mallet, install mounting hardware secured to the master cylinder rod end pin into the base boom section.

NOTE: The main boom lift cylinder weighs approximately 271.6 lb (123.2 kg).

5. Using an adequate supporting device, align the main boom lift cylinder with the mounting holes on the boom section.
6. Extend the main boom lift cylinder by using auxiliary power if required. Using a soft head mallet, install hardware to secure the main boom lift cylinder rod end pin #1 into the base boom section.
7. Remove cap or plugs and connect hydraulic lines to telescope cylinder as tagged during removal. Torque hose fittings to 40 ft. lbs. (55 Nm).

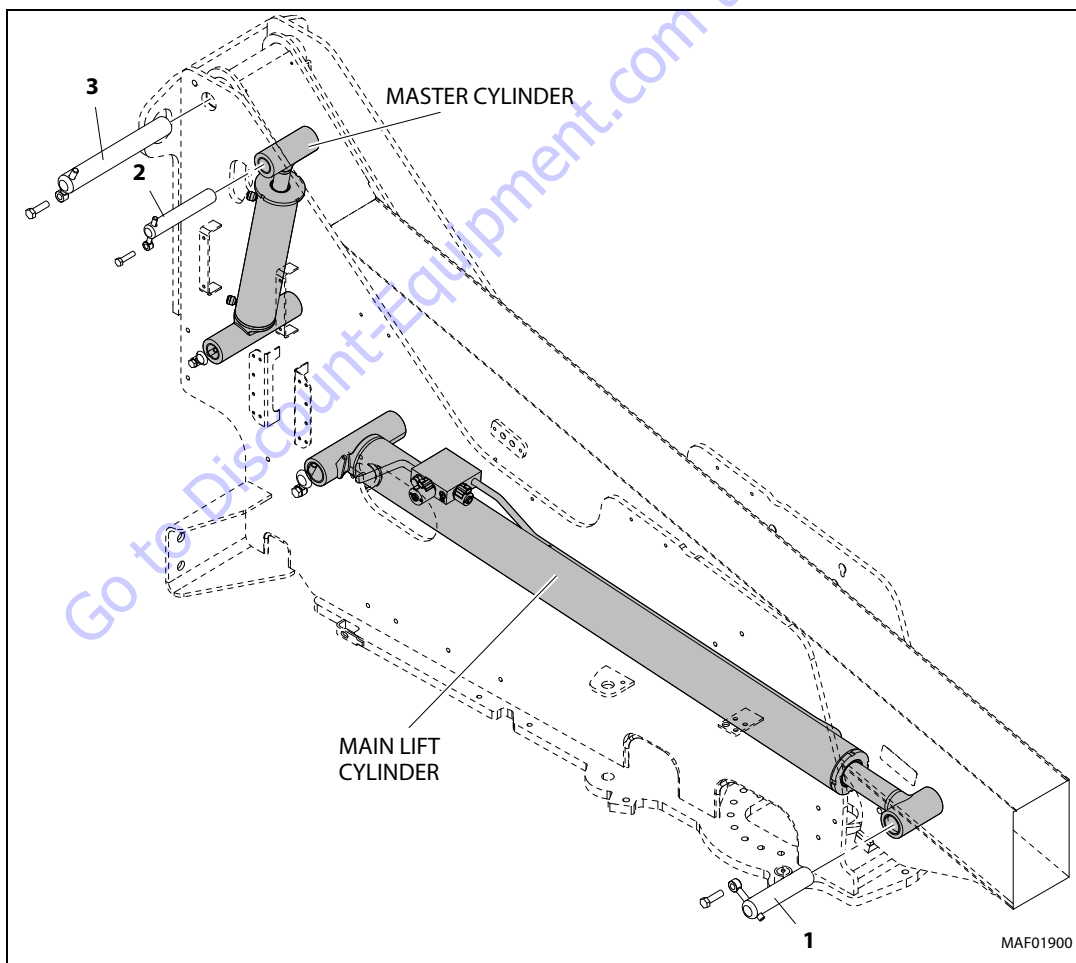


Figure 4-13. Main Boom Installation

4.6 JIB (460SJ ONLY)

Removal

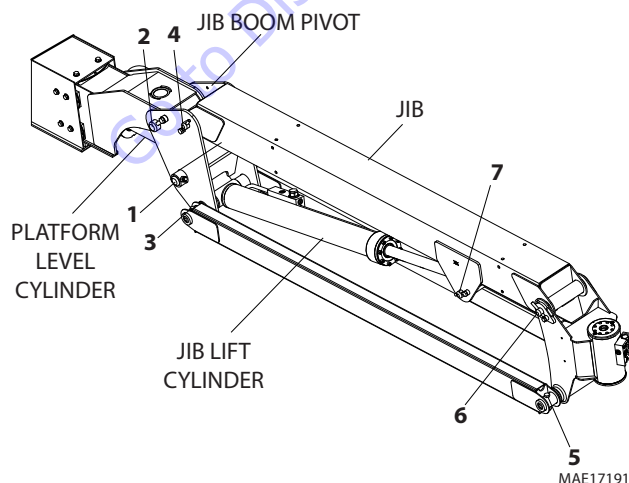
1. For platform and support removal see Section 4.2 - Platform.

NOTE: The jib assembly weighs approximately 310 lb (141 kg). Using a suitable lifting device, support the jib assembly.

2. Position the jib level with ground.
3. Tag and disconnect hydraulic lines from platform level cylinder and jib lift cylinder. Use suitable container to retain any residual hydraulic fluid. Cap or plug all openings of hydraulic lines and ports.
4. Remove mounting hardware from platform level cylinder pin #1. Using a suitable brass drift and hammer, remove the cylinder pin from jib assembly.
5. Remove mounting hardware from jib assembly boom pivot pin #2. Using a suitable brass drift and hammer, remove the pivot pin from boom assembly. Remove the jib assembly from the machine.

Disassembly

1. Remove mounting hardware from jib pivot pins #3 and #4. Using a suitable brass drift and hammer, remove the pins from jib pivot weldment.
2. Remove mounting hardware from rotator support pins #5 and #6. Using a suitable brass drift and hammer, remove the pins from rotator support.
3. Remove mounting hardware from lift cylinder pin #7. Using a suitable brass drift and hammer, remove the cylinder pin from jib boom assembly.



Inspection

NOTE: When inspecting pins and bearings Refer to Section 2.5 - Pins and Composite Bearing Repair Guidelines.

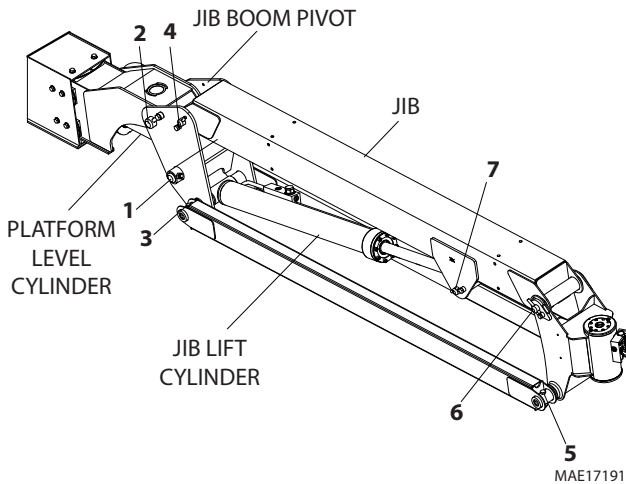
1. Inspect fly boom pivot pin for wear, scoring, tapering and ovality, or other damage. Replace pins as necessary.
2. Inspect fly boom pivot attach points for scoring, tapering and ovality, or other damage. Replace pins as necessary.
3. Inspect inner diameter of fly boom pivot bearings for scoring, distortion, wear, or other damage. Replace bearings as necessary.
4. Inspect lift cylinder attach pin for wear, scoring, tapering and ovality, or other damage. Ensure pin surfaces are protected prior to installation. Replace pins as necessary.
5. Inspect inner diameter of rotator attach point bearings for scoring, distortion, wear, or other damage.
6. Inspect all threaded components for damage such as stretching, thread deformation, or twisting. Replace as necessary.
7. Inspect structural units of jib boom assembly for bending, cracking, separation of welds, or other damage. Replace boom sections as necessary.

Assembly

1. Align rod end of lift cylinder with attach holes in jib assembly. Using a soft head mallet, install cylinder pin #7 into jib and secure with mounting hardware.
2. Align rotator support with attach hole in jib assembly. Using a soft head mallet, install rotator support pin #6 into jib and secure with mounting hardware.
3. Align bottom tubes with attach holes in rotator support. Using a soft head mallet, install rotator support pin #5 into jib assembly and secure with mounting hardware.
4. Align jib assembly with attach hole in jib boom pivot weldment. Using a soft head mallet, install rotator support pin #4 into jib assembly and secure with mounting hardware.
5. Align bottom tubes with attach holes in jib boom pivot weldment. Using a soft head mallet, install rotator support pin #3 into jib boom pivot weldment and secure with mounting hardware.

Installation

1. Align jib boom pivot weldment with attach holes in fly boom assembly. Using a soft head mallet, install pivot pin #2 into fly boom assembly and secure with mounting hardware.
2. Align the platform level cylinder with attach holes in jib boom pivot weldment. Using a soft head mallet, install platform level cylinder pin #1 into jib pivot weldment and secure with mounting hardware.



3. Remove cap or plugs from openings of hydraulic lines and ports and connect hydraulic lines to platform level cylinder and jib lift cylinder as tagged during removal.

4.7 BOOM CLEANLINESS GUIDELINES

Following are guidelines for internal boom cleanliness for machines that are used in excessively dirty environments.

1. JLG recommends use of the JLG Hostile Environment Package if available to keep internal portions of a boom cleaner and to help prevent dirt and debris from entering the boom. This package reduces amount of contamination which can enter the boom but does not eliminate the need for more frequent inspections and maintenance when used in these types of environments.
2. JLG recommends you follow all guidelines for servicing your equipment in accordance with instructions outlined in the JLG Service & Maintenance Manual for your machine. Periodic maintenance and inspection is vital to proper operation of the machine. The frequency of service and maintenance must be increased as environment, severity and frequency of usage requires.
3. Debris and foreign matter inside the boom can cause premature failure of components and should be removed. Methods to remove debris should always be done using all applicable safety precautions outlined in JLG Service & Maintenance Manuals.
4. The first attempt to remove debris from inside the boom must be to utilize pressurized air to blow debris toward the nearest exiting point from the boom. Make sure all debris is removed before operating machine.
5. If pressurized air cannot dislodge debris, then water with mild solvents applied via a pressure washer can be used. Again the method is to wash the debris toward the nearest exiting point from the boom. Make sure all debris is removed, that no "puddling" of water has occurred, and boom internal components are dry prior to operating machine. Make sure you comply with all federal and local laws for disposing wash water and debris.
6. If pressurized air or washing does not remove debris, disassemble boom in accordance to instructions outlined in the JLG Service & Maintenance Manual to remove debris.

4.8 BOOM SHIMMING PROCEDURE

NOTE: When installing wear pads, the wear pad bolt lengths may need to be adjusted as shim thicknesses are adjusted. Bolt lengths should be flush or up to one thread below the surface of the insert.

1. Measure and take note of the inside width and inside height of the base boom opening for reference later in this procedure.
2. Install the side wear pads on the fly boom and shim as required to match the corresponding dimension recorded in Step 1 within $+0/-1.2$ mm. Shims should be divided as evenly as possible between the sides of the boom. The number of shims installed at position #1 must match with position #2, and position #3 must match position #4 as shown below. Take note to how many shims are installed in each position.

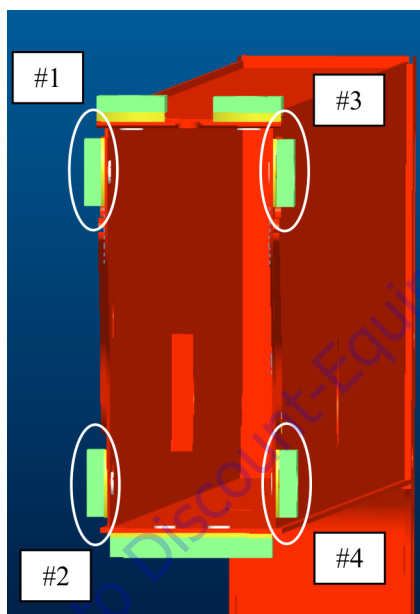


Figure 4-14. Fly Boom Wear Pads

3. Install the top wear pads and shims on the fly boom.
4. Install the bottom wear pads on the fly boom and shim as required to obtain the total base boom dimension within $+0/-1.2$ mm of the corresponding dimension from Step 1.
5. Slide the fly boom into the base boom, leaving 1 to 2 meters exposed.
6. Install the bottom wear pads and shims into the end of the base boom.

7. Install the side pads and shims into the base boom. Distribute shims to each side to match the distribution noted in Step 2. Positions #5/6 must match positions #1/2. Positions #7/8 must match positions #3/4. Verify that no more shims will fit on either side.

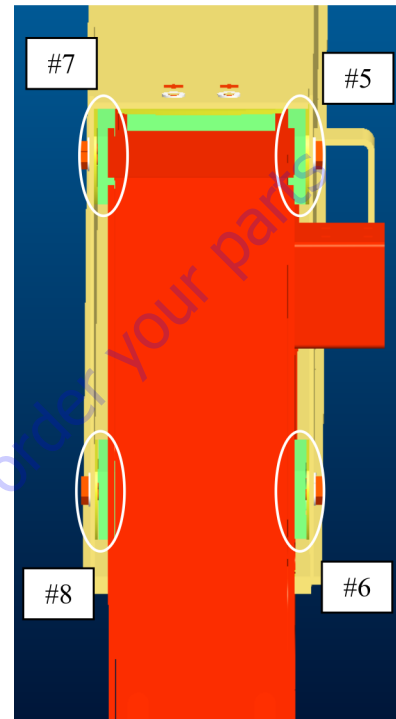


Figure 4-15. Base Boom Wear Pads

NOTE: Do not use a wedge to install more shims than will fit with the use of a pry bar. This may result in the boom being shimmed too tight. The use of pry bars should only be used to finish installing a shim that can be installed by hand more than half of its length.

8. Install the top wear pads and shims into the base boom leaving a gap of 0 mm to 1.2 mm between the top of the fly boom and the inside of the base boom.

4.9 ROTATOR ASSEMBLY

Theory of Operation

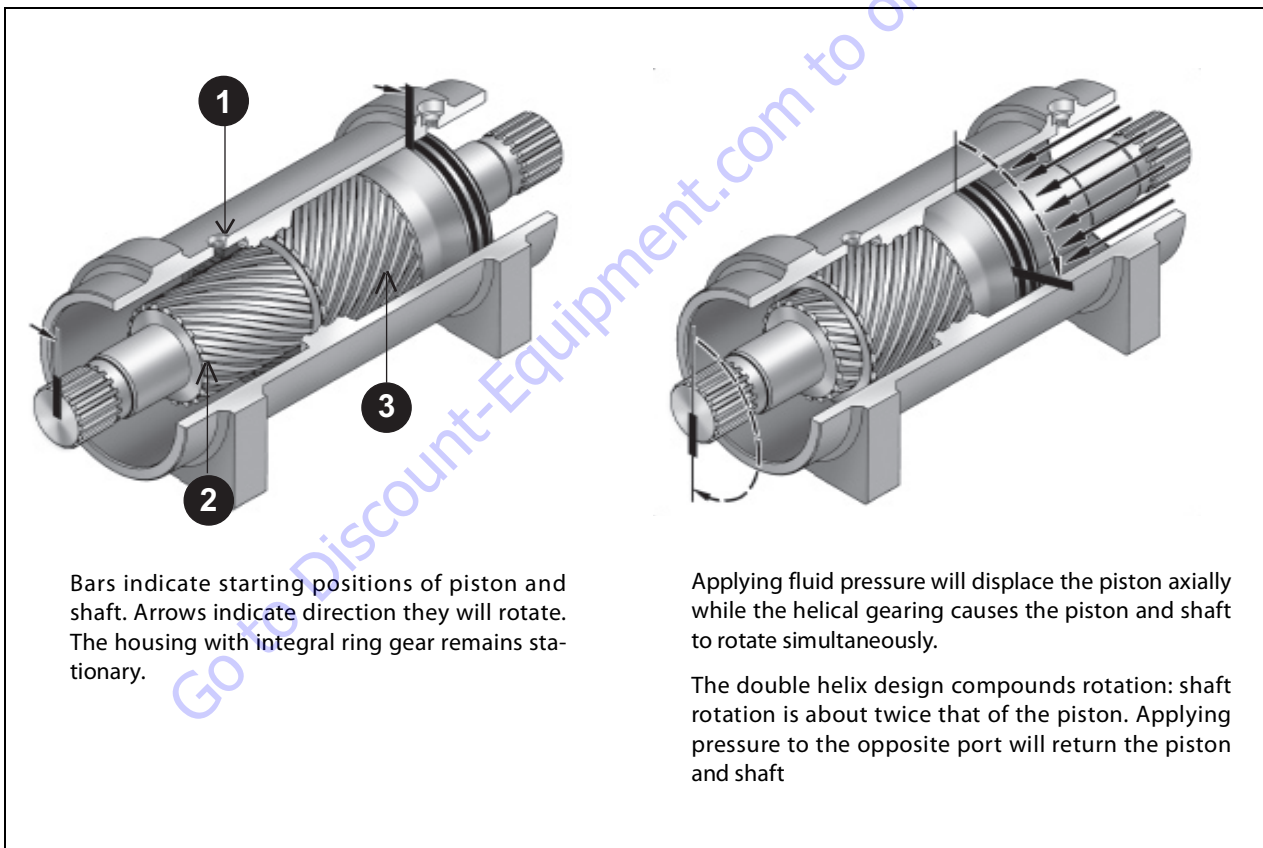
The rotary actuator is a simple mechanism that uses the sliding spline operating concept to convert axial piston motion into powerful shaft rotation. Each actuator is composed of a housing with integrated gear ring (1) and only two moving parts: the central shaft with integrated bearing tube and mounting flange (2), and the annular piston sleeve (3). Helical spline teeth machined on the shaft engage matching splines on the inside diameter of the piston. The outside diameter of the piston carries a second set of splines, of opposite hand, which engage with matching splines in the housing. As hydraulic pressure is applied, the piston is displaced axially within the housing similar to the operation of a hydraulic cylinder while the splines cause the shaft to rotate. When the control valve is closed, oil is trapped inside the housing, preventing piston movement and locking the shaft in position.

The shaft is supported radially by the large main radial bearing and the lower radial bearing. Axially, the shaft is separated from the housing by the main and lower thrust washers. The end cap is adjusted for axial clearance and locked in position by set screws or pins.

The actuators are equipped with factory installed counterbalance valves, which performs four major functions.

- Protects the actuator in the event of overload.
- Enables the actuator to hold position without drifting when external loads are applied.
- Reduces hydraulic backlash by pressuring the hydraulic fluid.

Provides a constant controlled rate of rotation in over-center load conditions.



Required Tools

Upon assembly and disassembly of the actuator there are basic tools required. The tools and their intended functions are as follows:

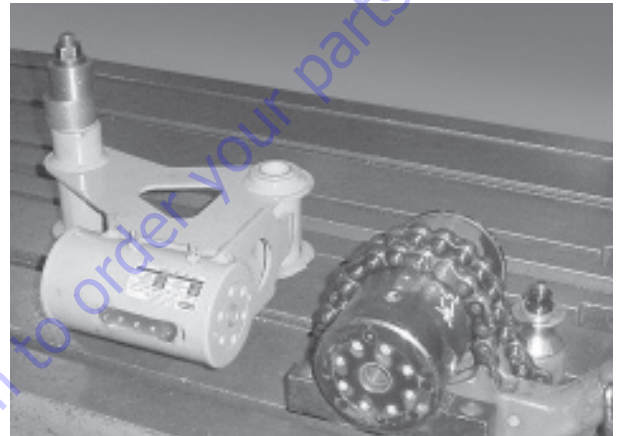


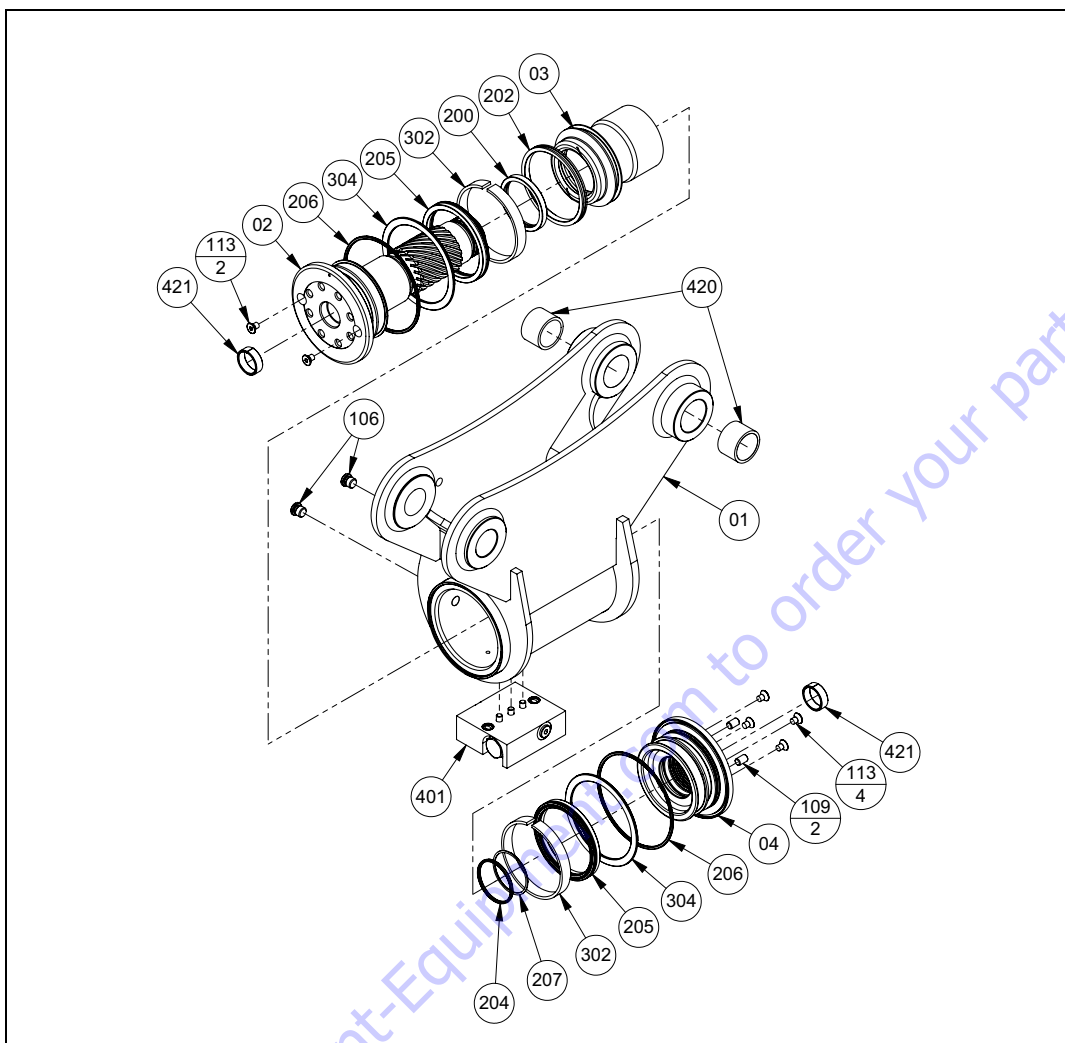
1. PIPE VISE
2. HEX WRENCH - Removal and replacement of port plugs and setscrews.
3. ASSORTED SCREWS
4. SAFETY GLASSES
5. END CAP REMOVAL TOOLS (provided with Helac seal kit).
6. DRILL
7. FLASHLIGHT - Helps to locate and examine timing marks, component failure and overall condition.
8. RUBBER MALLET - Removal and installation of shaft and piston sleeve assembly.
9. PLASTIC MANDREL
10. PRY BAR - Removal of end cap and manual rotation of shaft.
11. FELT MARKER - Highlights the timing marks and outline troubled areas.
12. T-HANDLE SCREW EXTRACTOR
13. HEX WRENCH SET - Removal and replacement of port plugs and setscrews (106 & 110).
14. SEAL TOOLS - Removal and installation of seals and wear guides. Directions to make a seal tool are provided below making a Seal Tool.
15. PUNCH
16. DOWEL PINS - Removal and installation of end cap.

Before Disassembly

Inspect the actuator for corrosion prior to disassembly. Severe corrosion can make it difficult to remove the lock pins (109) and unthread the end cap (04). If corrosion is evident, soak the lock pins and end cap with penetrating oil for several hours before disassembly.

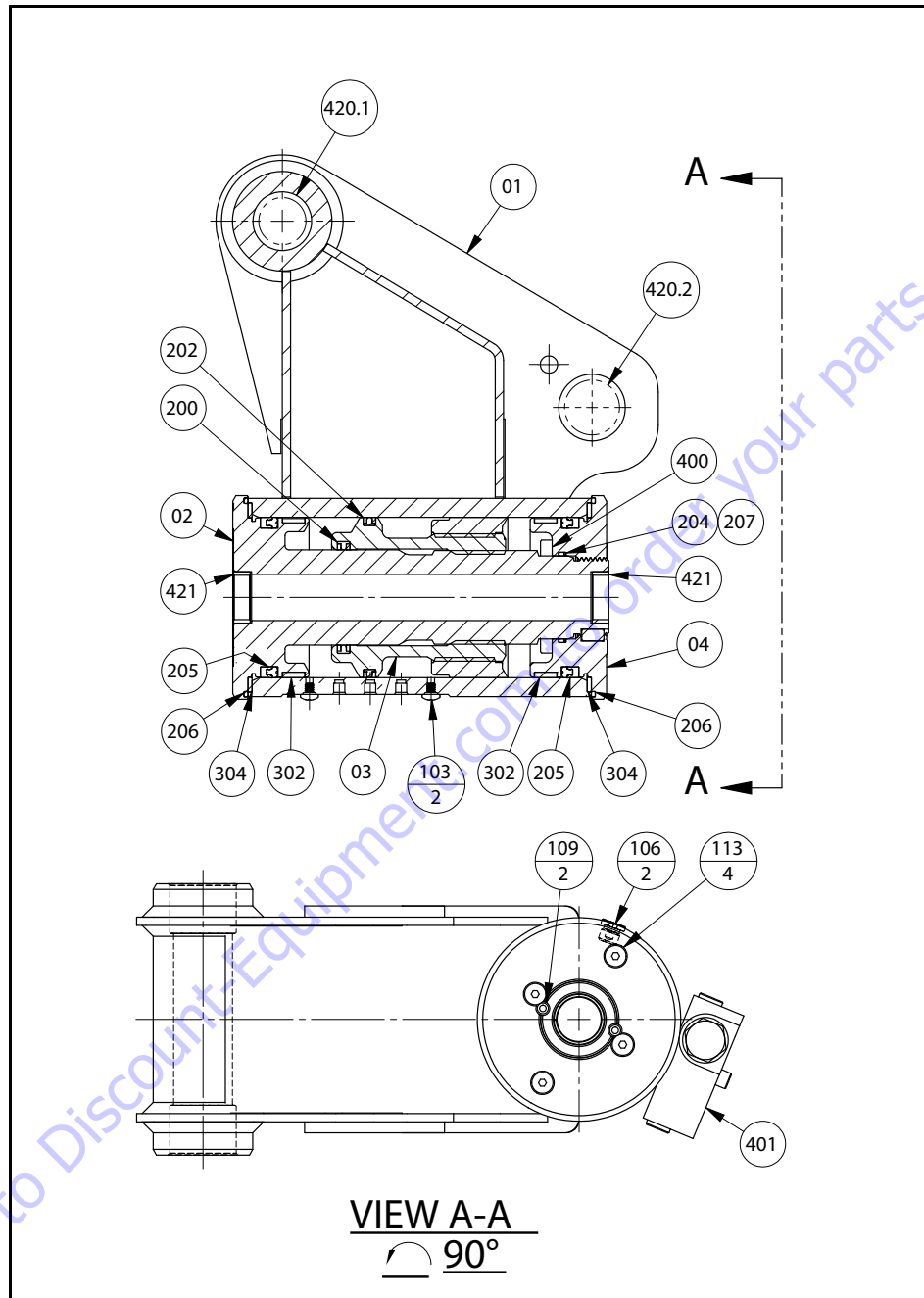
Disassembly is considerably easier if the actuator is firmly secured to the work bench. A pipe vise or mounting fixture work well.





PARTS	HARDWARE	SEALS	BEARINGS	ACCESSORIES
1. Housing	106. Port Plug	200. T-Seal	302. Wear Guide	401. Counterbalance Valve
2. Shaft	109. Lock Pin	202. T-Seal	304. Thrust Washer	420. Bushing
3. Piston Sleeve	113. Capscrew	204. O-ring		421. Bushing
4. End Cap		205. Cup Seal		
		206. Exclusion Seal		
		207. Backup Ring		

Figure 4-16. Rotator - Exploded View



Go to Discount Equipment.com to find your parts

PARTS	HARDWARE	SEALS	BEARINGS	ACCESSORIES
1. Housing	103. Screw	200. T-Seal	302. Wear Guide	400. Stop Tube
2. Shaft	106. Port Plug	202. T-Seal	304. Thrust Washer	401. Counterbalance Valve
3. Piston Sleeve	109. Lock Pin	204. O-ring		420.1 Bushing
4. End Cap	113. Capscrew	205. Cup Seal		420.2 Bushing
		206. Exclusion Seal		421 Bushing
		207. Backup Ring		

Figure 4-17. Rotator - Assembly Drawing

Disassembly

CAUTION

SECURE PRODUCT TO SLOTTED TABLE OR VISE.

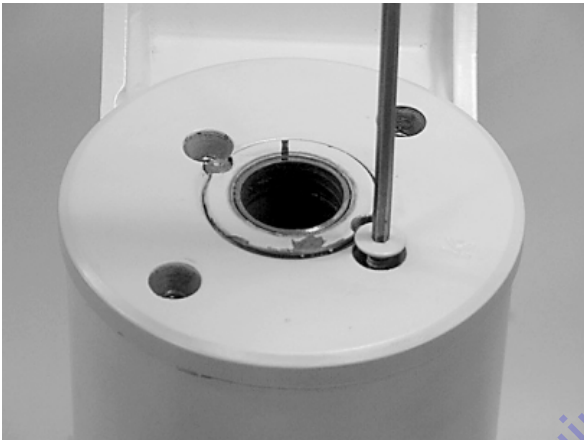
CAUTION

CONTENTS UNDER PRESSURE. WEAR APPROVED EYE PROTECTION. USE CAUTION WHEN REMOVING PORT PLUGS AND FITTINGS.

NOTICE

MAKE SURE WORK AREA IS CLEAN.

1. Remove the capscrews (113) over end cap lock pins (109).



2. Using a 1/8 in. (3.18 mm) drill bit, drill a hole in the center of each lock pin to a depth of approximately 3/16 in. (4.76 mm).



3. Remove the lock pins using an "Easy Out" (a size #2 is shown). If the pin will not come out with the "Easy Out", use 5/16 in. drill bit to a depth of 1/2 in. (12.7 mm) to drill out the entire pin.



4. Install the end cap (4) removal tools provided with the Helac seal kit.



5. Using a metal bar, or similar tool, unscrew the end cap (4) by turning it counterclockwise.



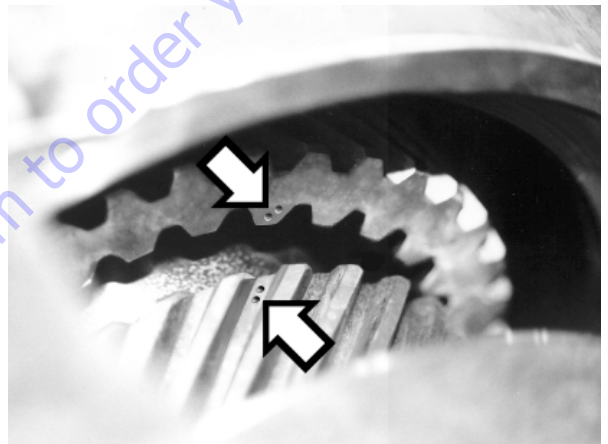
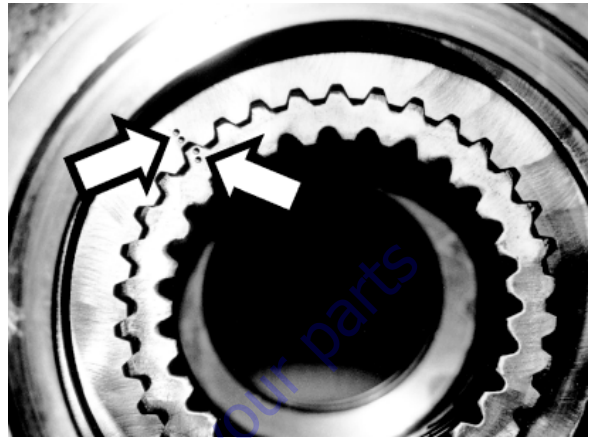
6. Remove the end cap (4) and set aside for later inspection.



7. Remove the stop tube if equipped. The stop tube is an available option to limit the rotation of the actuator.



8. Every actuator has timing marks for proper engagement.



9. Prior to removing the shaft, (2), use a felt marker to clearly indicate the timing marks between shaft and piston. This will greatly simplify timing during assembly.



SECTION 4 - BOOM & PLATFORM

10. Remove the shaft (2). It may be necessary to strike the threaded end of the shaft with a rubber mallet.



11. Before removing the piston (3), mark the housing (1) ring gear in relation to the piston O.D. gear. There should now be timing marks on the housing (1) ring gear, the piston (3) and the shaft (2).



12. To remove the piston (3) use a rubber mallet and a plastic mandrel so the piston is not damaged.



13. At the point when the piston gear teeth come out of engagement with the housing gear teeth, mark the piston and housing with a marker as shown.



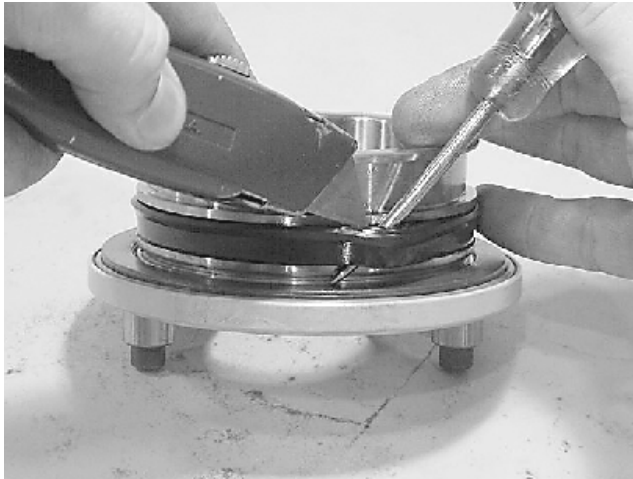
14. Remove the o-ring (204) and backup ring (207) from end cap (4) and set aside for inspection.



15. Remove the wear guides (302) from the end cap (4) and shaft (2).



- 16.** To remove the main pressure seals (205), it is easiest to cut them using a sharp razor blade being careful not to damage the seal groove.



- 19.** Remove the piston O.D. seal (202) from the piston.



- 17.** Remove the thrust washers (304), from the end cap (4) and shaft (2).



- 20.** Remove the piston I.D. seal (200). You may now proceed to the inspection process.



- 18.** Remove the wiper seal (304.1) from its groove in the end cap (4) and shaft (2).



Inspection

NOTICE

SMALL OR MINOR SURFACE SCRATCHES CAN BE CAREFULLY POLISHED.

1. Clean all parts in a solvent tank and dry with compressed air prior to inspecting. Carefully inspect all critical areas for any surface finish abnormalities: Seal grooves, bearing grooves, thrust surfaces, rod surface, housing bore and gear teeth.



2. Inspect the thrust washers (304) for rough or worn edges and surfaces. Measure its thickness to make sure it is within specifications (Not less than 0.092 in. or 2.34 mm).



3. Inspect the wear guide condition and measure thickness (not less than 0.123 in. or 3.12 mm).



Assembly

1. Gather all the components and tools into one location prior to re-assembly. Use the cut away drawing to reference the seal orientations.



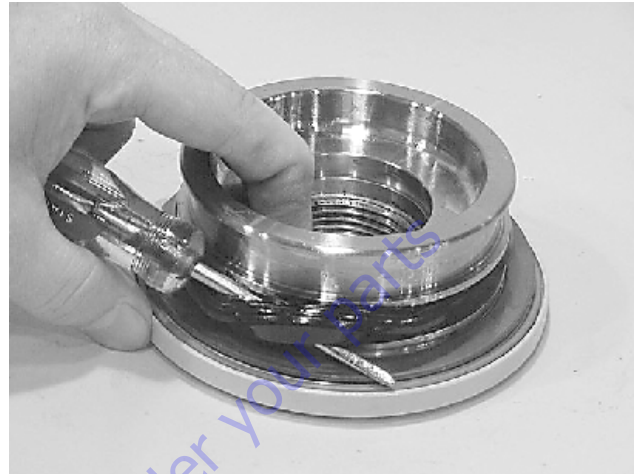
2. Install the thrust washer (304) onto shaft (2) and end cap (4).



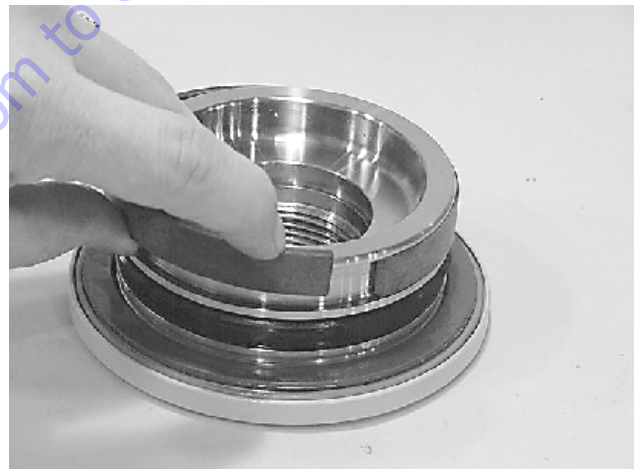
3. Install the wiper seal (304.1/green o-ring) into the groove on the shaft (2) and end cap (4) around the outside edge of the thrust washer (304).



4. Using a seal tool install the main pressure seal (205) onto shaft (2) and end cap (4). Use the seal tool in a circular motion.



5. Install the wear guide (302) on the end cap (4) and shaft (2).



SECTION 4 - BOOM & PLATFORM

6. Install the O-ring (204) and backup ring (207) into the inner seal groove on the end cap (4).



7. Install the inner T-seal (200) into the piston (3) using a circular motion.

Install the outer T-seal (202) by stretching it around the groove in a circular motion.

Each T-seal has 2 backup rings (see drawing for orientation).

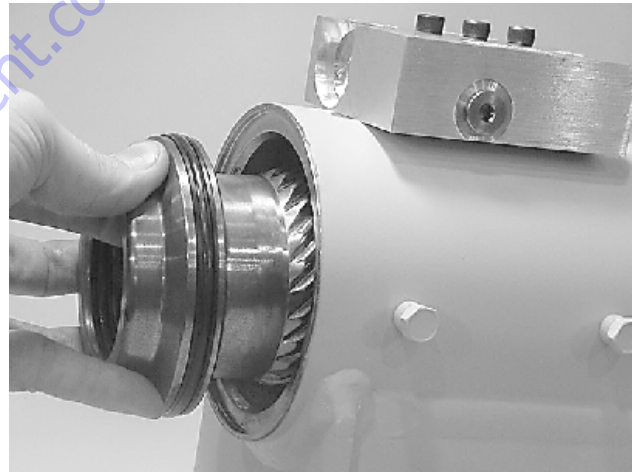


8. Beginning with the inner seal (200) insert one end of b/u ring in the lower groove and feed the rest in using a circular motion. Make sure the wedged ends overlap correctly.

Repeat this step for the outer seal (202).



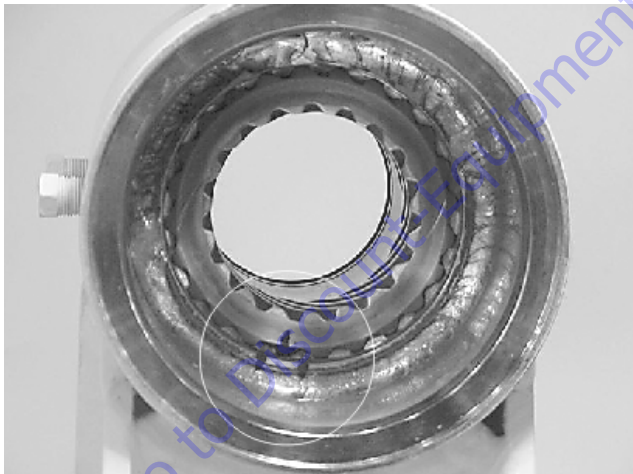
9. Insert the piston (3) into the housing (1) as shown, until the outer piston seal (202) is touching inside the housing bore.



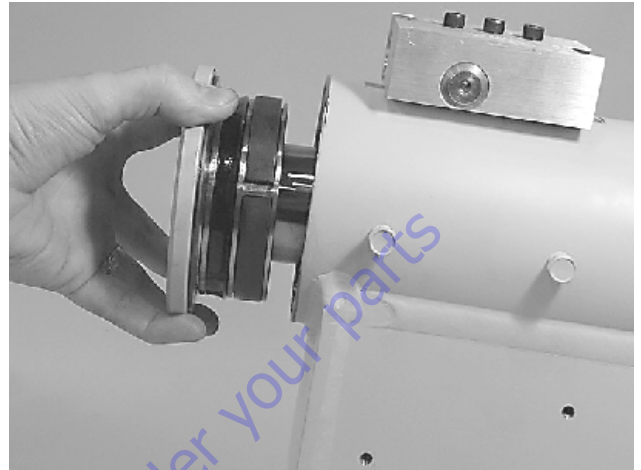
- 10.** Looking from the angle shown, rotate the piston (3) until the marks you put on the piston and the housing (1) during disassembly line up as shown. Using a rubber mallet, tap the piston into the housing up to the point where the gear teeth meet.



- 11.** Looking from the opposite end of the housing (1) you can see if your timing marks are lining up. When they do, tap the piston (3) in until the gear teeth mesh together. Tap the piston into the housing the rest of the way until it bottoms out.



- 12.** Install the shaft (2) into the piston (3). Be careful not to damage the seals. Do not engage the piston gear teeth yet.



- 13.** Looking from the view shown, use the existing timing marks to line up the gear teeth on the shaft (2) with the gear teeth on the inside of the piston (3). Now tap the flange end of the shaft with a rubber mallet until the gear teeth engage.

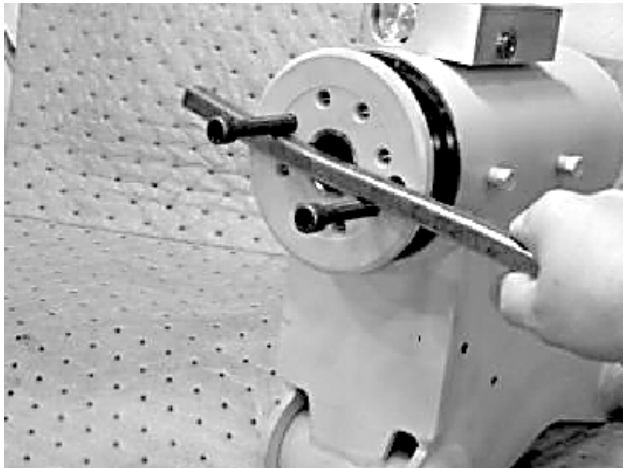


SECTION 4 - BOOM & PLATFORM

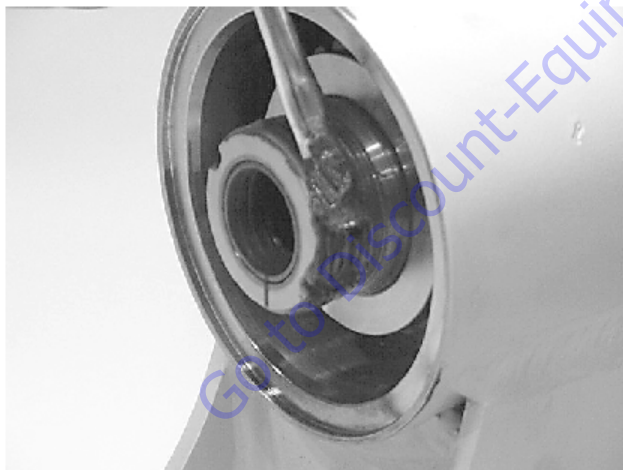
14. Install 2 bolts in the threaded holes in the flange. Using a bar, rotate the shaft in a clockwise direction until the wear guides are seated inside the housing bore.

NOTICE

AS THE SHAFT IS ROTATED, BE CAREFUL NOT TO DISENGAGE THE PISTON AND HOUSE GEARING.



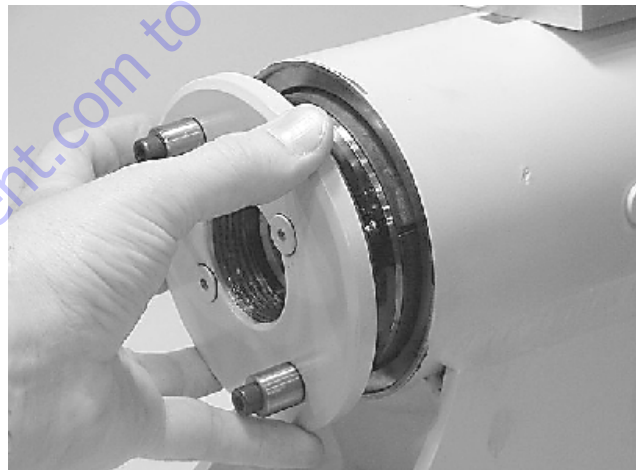
15. Install the stop tube onto the shaft end, if equipped. Stop tube is an available option to limit the rotation of an actuator.
16. Coat the threads on the end of the shaft with anti-seize grease to prevent galling.



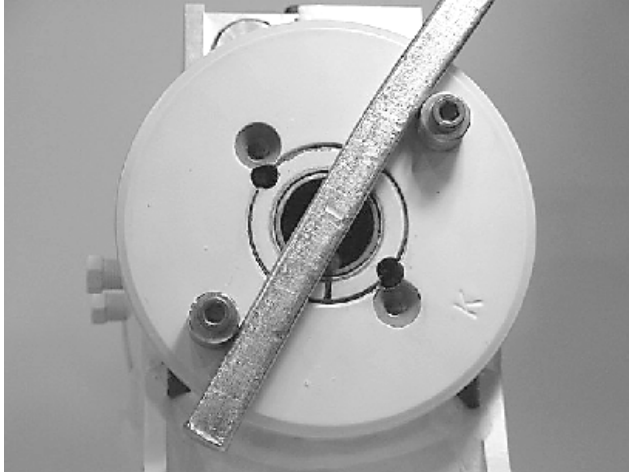
17. Install the O-ring (204) and backup ring (207) into the inner seal groove on the end cap (4).



18. Thread the end cap (4) onto the shaft (2) end. Make sure the wear guide remains in place on the end cap as it is threaded into the housing (1).



- 19.** Tighten the end cap (4). In most cases the original holes for the lock pins will line up.



- 21.** Insert the set screws (113) over the lock pins. Tighten them to 25 in. lbs. (2.825 Nm).



- 20.** Place the lock pins (109) provided in the Helac seal kit in the holes with the dimple side up. Then, using a punch, tap the lock pins to the bottom of the hole.



Go to Discount-Equipment.com to order your parts

Installing Counterbalance Valve

Refer to Figure 4-18., Rotator Counterbalance Valve.

1. Make sure the surface of the actuator is clean, free of any contamination and foreign debris including old Medium Strength Threadlocking Compound
2. Make sure the new valve has the o-rings in the counterbores of the valve to seal it to the actuator housing.
3. The bolts that come with the valve are grade 8 bolts. New bolts should be installed with a new valve. Medium

Strength Threadlocking Compound should be applied to the shank of the three bolts at the time of installation.

4. Torque the 1/4 in. bolts 110 to 120 in. lbs. (12.4 to 13.5 Nm). Do not torque over 125 in. lbs. (14.1 Nm). Torque the 5/16 in. bolts 140 in. lbs. (15.8 Nm). Do not torque over 145 in. lbs. (16.3 Nm).
5. Make sure the valve is seated against the housing valve flat. If it is raised up on any side or corner, remove the valve to determine what the obstruction is. If possible, test this using a hydraulic hand pump or electric test.

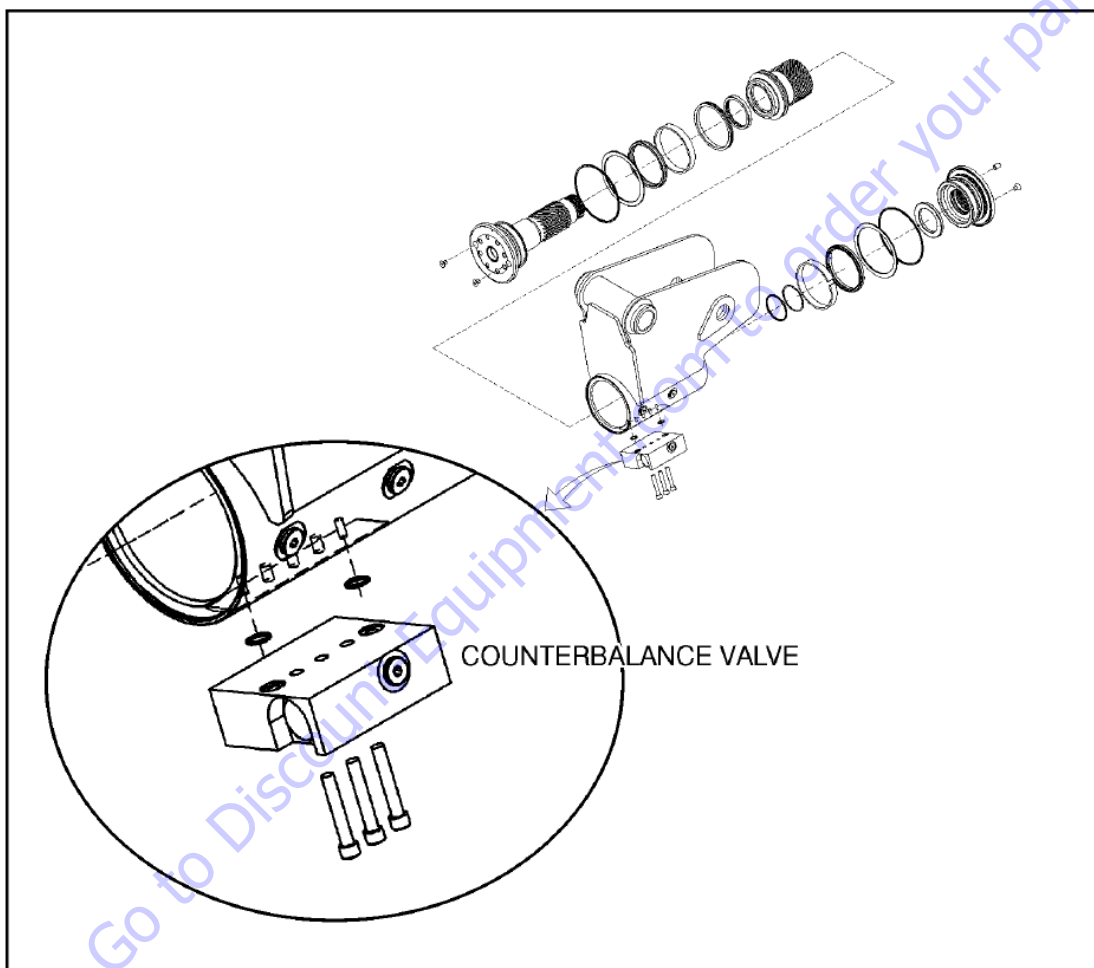


Figure 4-18. Rotator Counterbalance Valve

Greasing Thrust Washers

1. After the actuator is assembled but before it is put into service, the thrust washer area must be packed with Lithium grease.
2. There are two grease ports located on both the shaft flange and the end cap. They are plugged with capscrews (113) or set screws. Remove the grease port screws from the shaft flange and end cap. (See exploded view)



NOTICE

IF A HYDRAULIC TEST BENCH IS NOT AVAILABLE, THE ACTUATOR CAN BE ROTATED BY HAND, OPEN THE PRESSURE PORTS AND USE A PRY BAR WITH CAPSCREWS INSERTED INTO THE SHAFT FLANGE TO TURN THE SHAFT IN THE DESIRED DIRECTION.

3. Insert the tip of a grease gun into one port and apply grease to the shaft flange. Continue applying until grease flows from the opposite port. Cycle the actuator five times and apply grease again. Repeat this process on the end cap. Insert the capscrews into the grease ports and tighten to 25 in. lbs. (2.8 Nm).



Testing the Actuator

If the equipment is available, the actuator should be tested on a hydraulic test bench. The breakaway pressure — the pressure at which the shaft begins to rotate — should be approximately 400 psi (28 bar). Cycle the actuator at least 25 times at 3000 psi (210 bar) pressure. After the 25 rotations, increase the pressure to 4500 psi (315 bar) to check for leaks and cracks. Perform the test again at the end of the rotation in the opposite direction.

TESTING THE ACTUATOR FOR INTERNAL LEAKAGE

If the actuator is equipped with a counterbalance valve, plug the valve ports. Connect the hydraulic lines to the housing ports. Bleed all air from the actuator (see Installation and Bleeding) Rotate the shaft to the end of rotation at 3000 psi (210 bar) and maintain pressure. Remove the hydraulic line from the non-pressurized side.

Continuous oil flow from the open housing port indicates internal leakage across the piston. Replace the line and rotate the shaft to the end of rotation in the opposite direction. Repeat the test procedure outlined above for the other port. If there is an internal leak, disassemble, inspect and repair.

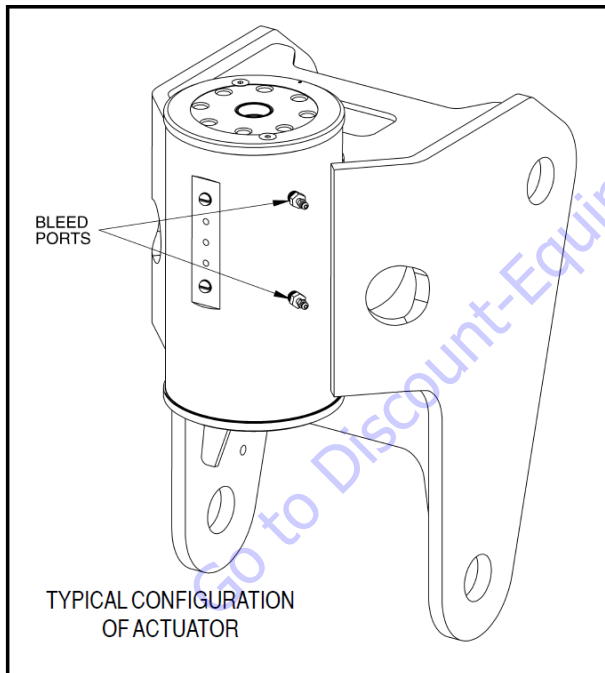
Installation and Bleeding

After installation of the actuator on the equipment, it is important that all safety devices such as tie rods or safety cables are properly reattached.

To purge air from the hydraulic lines, connect them together to create a closed loop and pump hydraulic fluid through them. Review the hydraulic schematic to determine which hydraulic lines to connect. The linear feet and inside diameter of the hydraulic supply lines together with pump capacity will determine the amount of pumping time required to fully purge the hydraulic system.

Bleeding may be necessary if excessive backlash is exhibited after the actuator is connected to the hydraulic system. The following steps are recommended when a minimum of two gallons (8 liters) is purged.

1. Connect a 3/16 in. inside diameter x 5/16 in. outside diameter x 5 foot clear, vinyl drain tube to each of the two bleed nipples. Secure them with hose clamps. Place the vinyl tubes in a clean 5-gallon container to collect the purged oil. The oil can be returned to the reservoir after this procedure is completed.
2. With an operator in the platform, open both bleed nipples 1/4 turn. Hydraulically rotate the platform to the end of rotation (either clockwise or counterclockwise), and maintain hydraulic pressure. Oil with small air bubbles will be seen flowing through the tubes. Allow a 1/2 gallon of fluid to be purged from the actuator.
3. Keep the fittings open and rotate the platform in the opposite direction to the end position. Maintain hydraulic pressure until an additional 1/4 gallon of fluid is pumped into the container.
4. Repeat steps 2 & 3. After the last 1/2 gallon is purged, close both bleed nipples before rotating away from the end position.

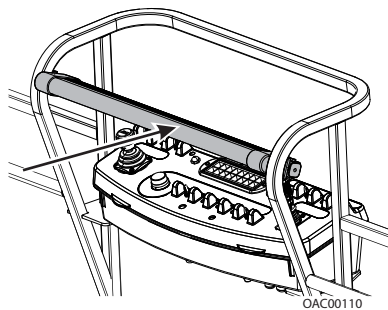


4.10 SKYGUARD

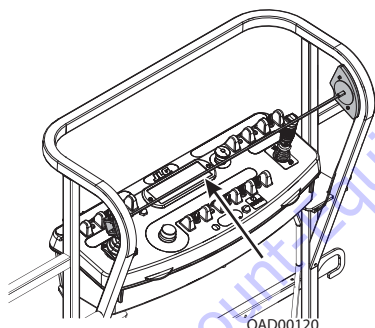
Operation

SkyGuard provides enhanced control panel protection. When the SkyGuard sensor is activated, functions in use at the time of actuation will reverse or cutout. The SkyGuard Function Table provides more details on these functions.

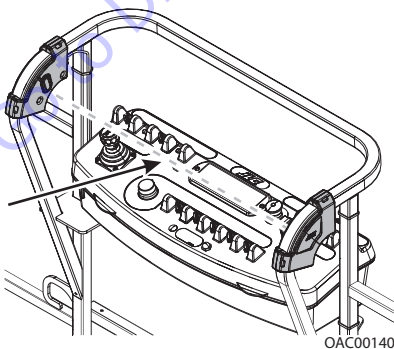
Consult the following illustrations to determine which type of SkyGuard the machine is equipped with. Regardless of the type, SkyGuard function according to the SkyGuard Function Table does not change.



SkyGuard



SkyGuard SkyLine™



SkyGuard SkyEye™

⚠ WARNING

THE MACHINE OPERATOR IS REQUIRED TO PERFORM A DAILY FUNCTION TEST TO ENSURE PROPER OPERATION OF THE SKYGUARD SYSTEM.

Function Test

SKYGUARD ONLY

Perform this function test if **SkyGuard only** is selected in machine setup (refer to Table 6-2).

From the Platform Control Console in an area free from obstructions:

1. Operate the telescope out function, then activate SkyGuard sensor.
2. Once sensor has been activated, ensure telescope out function stops then telescope in function operates for a short duration. Additionally, verify Soft Touch/SkyGuard indicator light flashes and horn sounds. If machine is equipped with SkyGuard beacon, ensure it flashes when sensor activates.
3. With SkyGuard sensor still engaged, press and hold yellow Soft Touch/SkyGuard override button. Operate a function to verify operation can be resumed.
4. Disengage SkyGuard sensor, release controls, and recycle footswitch. Ensure normal operation available.

In Ground Mode:

Operation is allowed regardless of SkyGuard activation.

SOFT TOUCH ONLY

If **Soft Touch only** is selected in machine setup (refer to Table 6-2), machine will treat the Soft Touch/SkyGuard override switch as if it is a Soft Touch switch.

SKYGUARD NOT SELECTED IN MACHINE SETUP

If the SkyGuard system is installed on the machine, but no option is selected in the machine setup (refer to Table 6-2), SkyGuard sensor status will be ignored. No function cutout or reversal will be implemented.

Diagnostics & Troubleshooting

If SkyGuard does not function when the sensor is engaged, first verify the configuration under the MACHINE SETUP: SKYGUARD OPTION menu using the hand-held Analyzer. Ensure the selected configuration matches the actual system installed on the machine. If not, select the correct configuration, then verify operation.

Additionally, use the handheld analyzer to navigate to the DIAGNOSTICS: FEATURES → SKYGUARD INPUTS menu to determine additional SkyGuard fault information.

Engage the SkyGuard sensor and observe the Analyzer to determine if the switch/relay closes.

If the status of the switch/relay remains OPEN while the SkyGuard sensor is actively engaged, it is possible the sensor has failed and should be replaced immediately.

If the status of the switch/relay remains CLOSED while the SkyGuard sensor is actively engaged, a power or ground wire may not be making good contact or may be loose or broken. Additionally, there is a low probability that both relays may have failed.

If the switch/relay status is in disagreement, then one may have failed or is not installed correctly. In this case, the machine will be inoperable.

FAULT CODES

Refer to Table 6-11 for more fault code information

- **0039** - SkyGuard switch activation fault
- **2563** - switch disagreement fault

Table 4-1. SkyGuard Function Table

Drive Forward	Drive Reverse	Steer	Swing	Boom Lift Up	Boom Lift Down	Boom Tele Out	Boom Tele In	Jib Lift	Basket Level	Basket Rotate
R*/C**	R	C	R	R	R	R	C	C	C	C
R= Indicates Reversal is Activated										
C= Indicates Cutout is Activated										
* DOS Enabled										
** DOS Not Enabled, machine is driving straight without steering, and any other hydraulic function is active										

4.11 PLATFORM ROTATE BLEED PROCEDURE

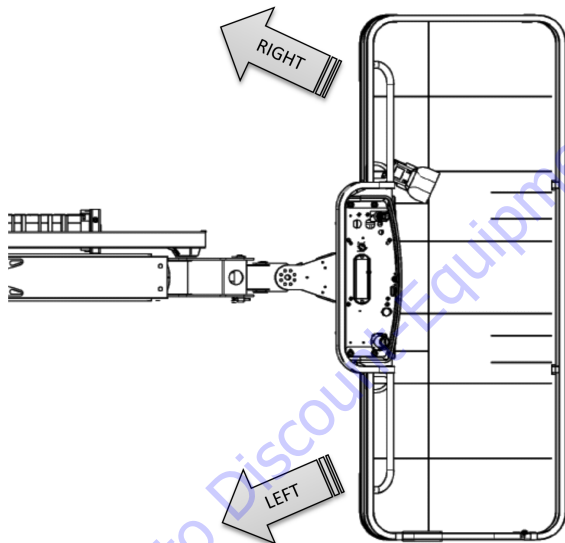
NOTE: This procedure will have to be performed any time a component is removed or replaced in the platform rotate hydraulic circuit.

General Notes & Precautions

- Wear appropriate eye protection.
- Engine must be turned off when loosening & tightening hydraulic connections.
- Ensure persons and objects are clear of the platform area prior to starting the engine and activating platform rotate function.
- Place appropriate pan and absorbent mats under platform rotator to collect hydraulic fluid.

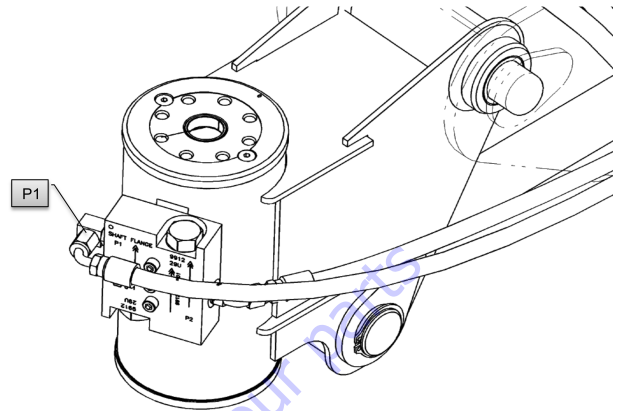
Procedure

1. Activate platform rotate right until end of stroke and hold for 5 seconds.

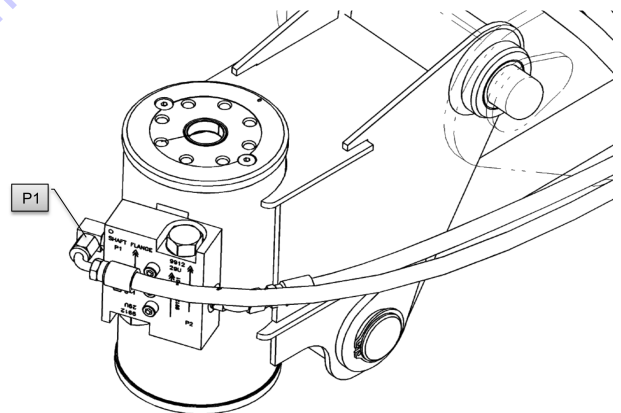


2. Activate platform rotate left until end of stroke and hold for 5 seconds.

3. Loosen hydraulic hose end at port P1 of platform rotator 1 turn (use existing paint mark as a reference).



4. Activate platform rotate right for approximately 10 seconds (the platform will rotate slowly).
5. Activate platform rotate left until end of stroke.
6. Repeat steps 4 & 5 until air is removed.
7. Tighten hydraulic hose end at port P1 of platform rotator to 14 ft. lbs. (19 Nm).



8. Activate platform rotate right until end of stroke and hold for 5 seconds.
9. Loosen hydraulic hose end at port P2 of platform rotator.

4.12 BOLT-ON EXTERNAL FALL ARREST

The Bolt-On External Fall Arrest system is designed to provide a lanyard attach point while allowing the operator to access areas outside the platform. Exit/Enter the platform through the gate area only. The system is designed for use by one person.

Personnel must use fall protection at all times. A full body harness is required with lanyard not to exceed 6 ft. (1.8 M) in length, that limits the maximum arrest force to 900 lb (408 kg).

Bolt-On External Fall Arrest System capacity is 310 lb (140 kg) - one (1) person maximum.

Do not move the platform during use of the Bolt-On External Fall Arrest system.

⚠ WARNING

DO NOT OPERATE ANY MACHINE FUNCTIONS WHILE OUTSIDE OF PLATFORM. BE CAREFUL WHEN ENTERING/EXITING THE PLATFORM AT ELEVATION.

⚠ WARNING

IF THE BOLT-ON EXTERNAL FALL ARREST SYSTEM IS USED TO ARREST A FALL OR IS OTHERWISE DAMAGED, THE ENTIRE SYSTEM MUST BE REPLACED AND THE PLATFORM FULLY INSPECTED BEFORE RETURNING TO SERVICE. REFER TO THE SERVICE MANUAL FOR REMOVAL AND INSTALLATION PROCEDURES.

THE BOLT-ON EXTERNAL FALL ARREST SYSTEM REQUIRES AN ANNUAL INSPECTION AND CERTIFICATION. THE ANNUAL INSPECTION AND CERTIFICATION MUST BE PERFORMED BY A QUALIFIED PERSON OTHER THAN THE USER.

Inspection Before Use

The Bolt-On External Fall Arrest system must be inspected before each use of the Mobile Elevating Work Platform. Replace components if there are any signs of wear or damage.

Before each use, perform a visual inspection of the following components:

- Cable: Inspect cable for proper tension, broken strands, kinks, or any signs of corrosion.

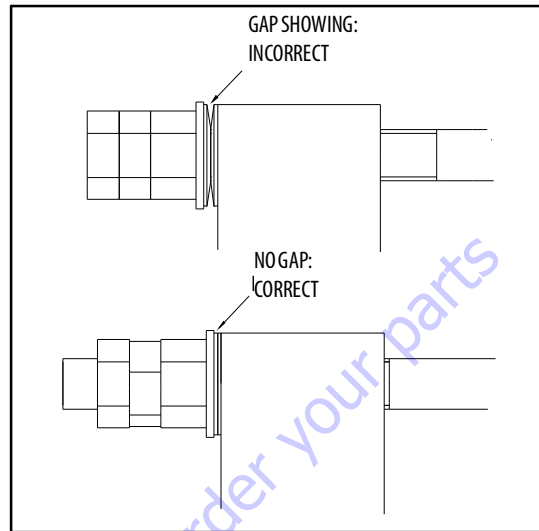
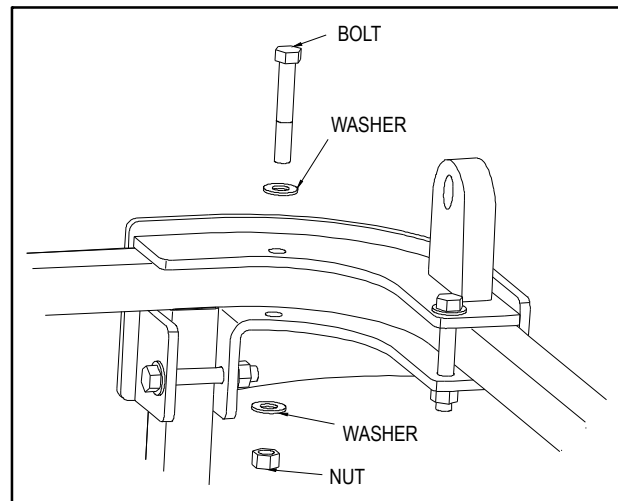


Figure 4-19. Bolt-On External Fall Arrest Cable Tension

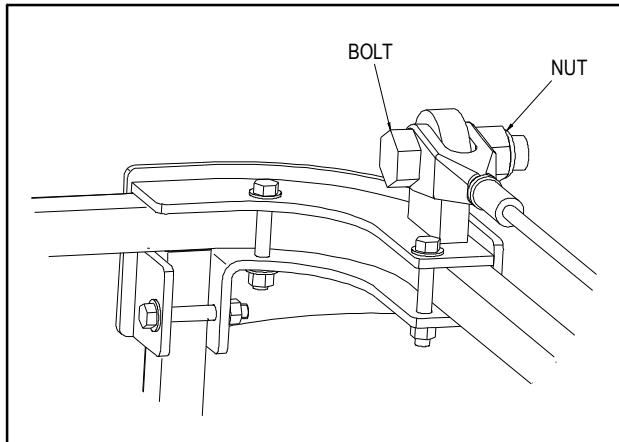
- Fittings & Brackets: Ensure all fittings are tight and there are no signs of fractures. Inspect brackets for any damage.
- Attachment Ring: No cracks or signs of wear are acceptable. Any signs of corrosion requires replacement.
- Attaching Hardware: Inspect all attaching hardware to ensure there are no missing components and hardware is properly tightened.
- Platform Rails: No visible damage is acceptable.

Installation

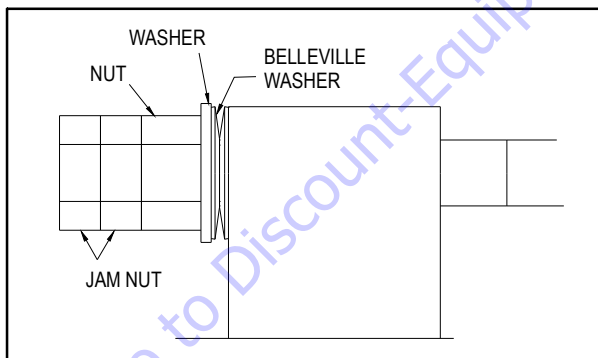
1. Install the retaining hardware (bolts, nuts, and washers) and secure the brackets to the platform rail. Tighten the nuts but do not torque them yet.



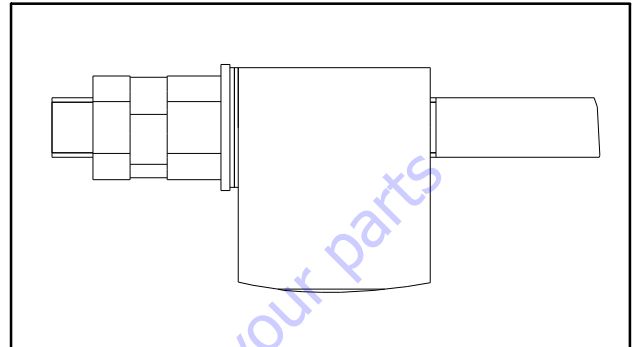
2. Attach the fall arrest cable to the right hand bracket Using the attaching bolt and nut. Orient the bolt as shown below. Do not tighten the nut so cable can still rotate.



3. Install the Attachment Ring onto the cable.
4. Without twisting the fall arrest cable, pull it thru the left hand bracket and mark the top of the swaged cable end. Install the fall arrest cable through the left hand bracket and secure it using the belleville washers, washer, retaining nut, and jam nuts. Orient the hardware as shown below and with the belleville washers so the gap is present at the outside diameter of the washers. install the nuts onto the cable finger tight so the mark on the cable does not move.



5. Use the two jam nuts to prevent the cable from rotating while the nut is tightened. Tighten the nut until the belleville washers are fully compressed and no gap is present at the outside diameter of the washers. Ensure the cable has not rotated during tightening.



6. Tighten the first jam nut against the retaining nut to keep the nut from loosening. Tighten the remaining jam nut against the first jam nut.
7. Torque the nuts and bolts securing the brackets to 15 ft.lbs. (20 Nm).

SECTION 4 - BOOM & PLATFORM

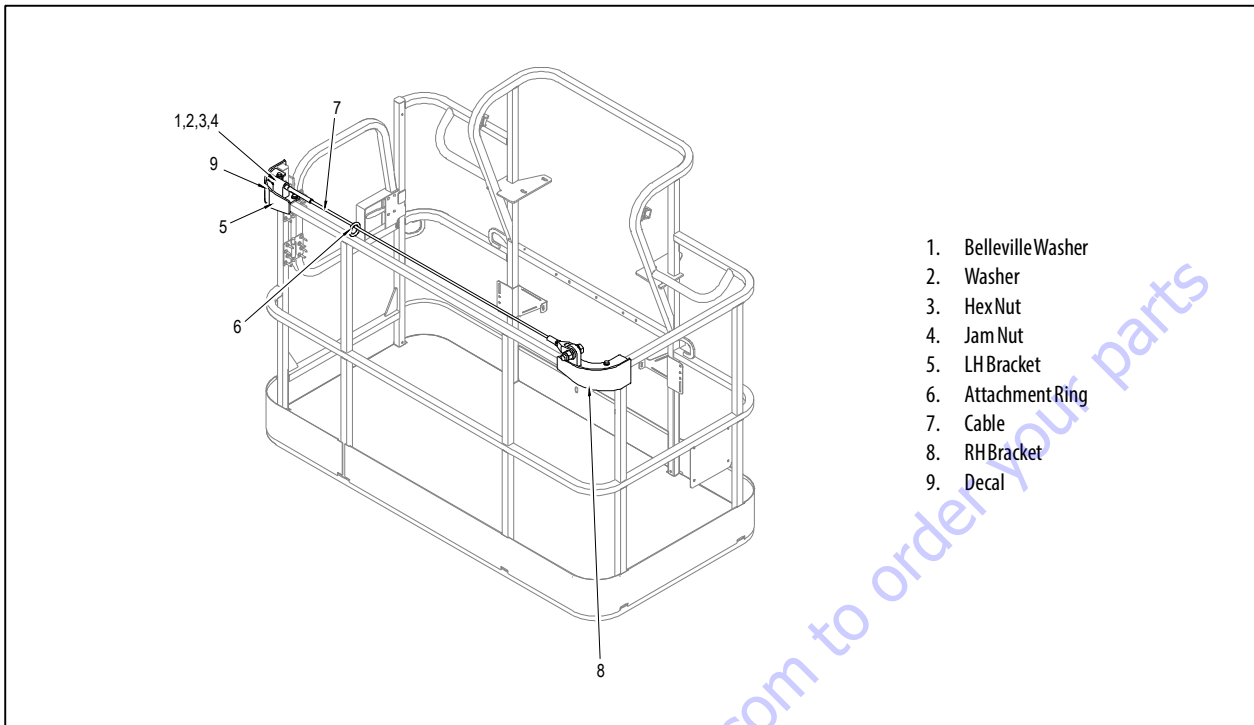


Figure 4-20. Bolt-On External Fall Arrest System

SECTION 5. BASIC HYDRAULICS INFORMATION & SCHEMATICS

5.1 LUBRICATING O-RINGS IN THE HYDRAULIC SYSTEM

When assembling connectors in the hydraulic that use o-ring fittings, it is necessary to lubricate all fittings with hydraulic oil prior to assembly. To lubricate the fittings, use one of the following procedures.

NOTE: All o-ring fittings must be pre-lubricated with hydraulic oil prior to assembly.

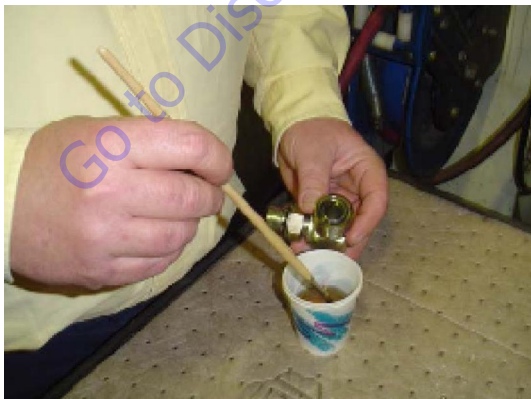
Cup and Brush

The following is needed to correctly oil the o-ring in this manner:

- A small container for hydraulic oil
- Small paint brush



1. Hold the fitting in one hand while using the brush with the other hand to dip into the container. Remove excess hydraulic oil from the brush so an even film of oil is applied on the o-ring.



2. Holding the fitting over the hydraulic oil container, brush an even film of oil around the entire o-ring in the fitting, making sure the entire o-ring is completely saturated.



3. Turn the o-ring on the other side of the fitting and repeat the previous step, ensuring the entire o-ring is coated with hydraulic oil.

