



TEREX

Parts Manual

Serial Number Range

RL4000

from SN RL409-979

TML-4000

from SN TML10-101

Part No. 116693

Rev B30

November 2018



www.discount-equipment.com

Go to Discount-Equipment.com to order your parts

PARTS FINDER

**Search Website
by Part Number**



**Search Manual
Library For Parts
Manual & Lookup Part
Numbers – Purchase
or Request Quote**

Search Manuals

Enter your information to help us find the right parts manual for your machine.

* Brand:

* Model:

* Serial:

* Part Number:

SEARCH

**Can't Find Part or
Manual? Request Help
by Manufacturer,
Model & Description**

Parts Order Form

Please fill in the following information to help us find the right part for your machine.

Manufacturer:	<input type="text"/>
Model:	<input type="text"/>
Description:	<input type="text"/>
Part Number:	<input type="text"/>
Quantity:	<input type="text"/>
Notes:	<input type="text"/>

Submit

Discount-Equipment.com is your online resource for quality parts & equipment.

Florida: **561-964-4949** Outside Florida TOLL FREE: **877-690-3101**

Need parts?

Click on this link: <http://www.discount-equipment.com/category/5443-parts/> and choose one of the options to help get the right parts and equipment you are looking for. Please have the machine model and serial number available in order to help us get you the correct parts. If you don't find the part on the website or on one of the online manuals, please fill out the request form and one of our experienced staff members will get back to you with a quote for the right part that your machine needs.

We sell worldwide for the brands: Genie, Terex, JLG, MultiQuip, Mikasa, Essick, Whiteman, Mayco, Toro Stone, Diamond Products, Generac Magnum, Airman, Haulotte, Barreto, Power Blanket, Nifty Lift, Atlas Copco, Chicago Pneumatic, Allmand, Miller Curber, Skyjack, Lull, Skytrak, Tsurumi, Husquvarna Target, Stow, Wacker, Sakai, Mi-T-M, Sullair, Basic, Dynapac, MBW, Weber, Bartell, Bennar Newman, Haulotte, Ditch Runner, Menegotti, Morrison, Contec, Buddy, Crown, Edco, Wyco, Bomag, Laymor, EZ Trench, Bil-Jax, F.S. Curtis, Gehl Pavers, Heli, Honda, ICS/PowerGrit, IHI, Partner, Imer, Clipper, MMD, Koshin, Rice, CH&E, General Equipment, Amida, Coleman, NAC, Gradall, Square Shooter, Kent, Stanley, Tamco, Toku, Hatz, Kohler, Robin, Wisconsin, Northrock, Oztec, Toker TK, Rol-Air, APT, Wylie, Ingersoll Rand / Doosan, Innovatech, Con X, Ammann, Mecalac, Makinex, Smith Surface Prep, Small Line, Wanco, Yanmar

Technical Publications

Genie has endeavored to deliver the highest degree of accuracy possible. However, continuous improvement of our products is a Genie policy. Therefore, product specifications are subject to change without notice.

Readers are encouraged to notify Genie of errors and send in suggestions for improvement. All communications will be carefully considered for future printings of this and all other manuals.

Copyright © 2011 by Terex Corporation

116693 Rev B December 2011
First Edition, Second Printing

"Terex" is a registered trademark of Terex USA, LLC in the USA and many other countries.

 Printed on recycled paper

MANUFACTURED BY/FABRIQUE PAR:
TEREX ROCK HILL
 590 Huey Road
 Rock Hill, SC 29732



DATE: FEBRUARY 2008

GVWR / PNBV	1,244 KG (2,743 LBS)
GAWR / PNBE	1,244 KG (2,743 LBS)
TIRES / PNEU	ST205/75D13 LOAD RANGE C
RIMS / JANTE	15.0 X 4.5 5H
COLD TIRES INFLJ	35 PSI / 250 KPA

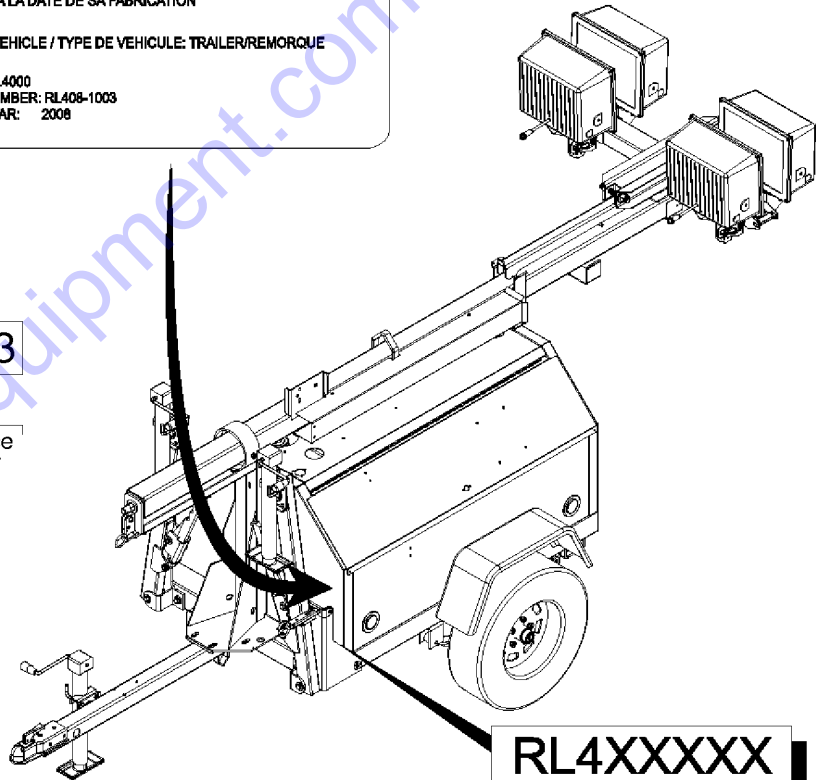
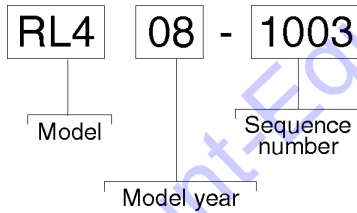
PRESS. DE GONFL. A FROID 'SINGLE'

THIS VEHICLE CONFORMS TO ALL APPLICABLE U.S. FEDERAL MOTOR VEHICLE SAFETY STANDARDS IN EFFECT ON THE DATE OF MANUFACTURE SHOWN ABOVE.

THIS VEHICLE CONFORMS TO ALL APPLICABLE STANDARDS PRESCRIBED UNDER THE CANADIAN MOTOR VEHICLE SAFETY REGULATIONS IN EFFECT ON THE DATE MANUFACTURE/ CE VEHICULE EST CONFORME A TOUTES LES NORMES QUI LUI SONT APPLICABLES EN VERTU DU REGLEMENT SUR LA SECURITE DES VEHICULES AUTOMOBILES DU CANADA EN VIGUEUR A LA DATE DE SA FABRICATION

TYPE OF VEHICLE / TYPE DE VEHICULE: TRAILER/REMORQUE

MODEL: RL4000
SERIAL NUMBER: RL408-1003
MODEL YEAR: 2008



RL4XXXXX
 Serial number is stamped into frame.

Table of Contents

This manual is updated frequently. If you have a printed manual, you can keep it up to date by downloading new figures from the Genie website at www.genielift.com. For the most up-to-date parts information, visit the Parts Lookup System on the Genie website at www.genielift.com.

How to Read Your Serial Number.....	3
Parts Stocking List.....	7
How to Order Parts.....	8
Service Parts Fax Order Form.....	9

Electronic Version

Click on any page number to view the figure.

100 Decals

101.1 Decals with Words, Roadside (to serial number RL410-1788 and TML10-289).....	10
101.2 Decals with Words, Roadside (from serial number RL410-1789 and TML10-290).....	12
102.1 Decals with Words, Curbside (to serial number RL410-1788 and TML10-289).....	14
102.2 Decals with Words, Curbside (from serial number RL410-1789 and TML10-290).....	16
103.1 Decals with Words, Lights (to serial number RL410-1788 and TML10-289).....	18
103.2 Decals with Words, Lights (from serial number RL410-1789 and TML10-290).....	20
104.1 Decals with Symbols, Roadside (to serial number RL410-1788 and TML10-289).....	22
104.2 Decals with Symbols, Roadside (from serial number RL410-1789 and TML10-290).....	24
105.1 Decals with Symbols, Curbside (to serial number RL410-1788 and to TML10-289).....	26
105.2 Decals with Symbols, Curbside (from serial number RL410-1789 and TML10-290).....	28
106.1 Decals with Symbols, Lights (to serial number RL410-1788 and TML10-289).....	30
106.2 Decals with Symbols, Lights (from serial number RL410-1789 and TML10-290).....	32

200 Chassis Components

201.1 Chassis.....	34
202.1 TML Outriggers.....	36
203.1 Fuel Tank and Hoses.....	38
204.1 Axle.....	40
205.1 Hitches.....	42
206.1 Ballast Box Assembly.....	44

207.1 Cabinet (to serial number RL410-999 and to TML10-249).....	46
207.2 Cabinet (from serial number RL410-1000 and from TML10-250).....	48
208.1 Winch.....	50

300 Engine and Generator Components

301.1 Kubota D1105-E3BG, View 1.....	52
302.1 Kubota D1105-E3BG, View 2.....	54
303.1 Kubota D1105-E3BG, View 3.....	56
304.1 Kubota D1105-E3BG, View 4.....	58
305.1 Perkins 403D-11G, View 1.....	60
306.1 Perkins 403D-11G, View 2 (to serial number RL4011-4235).....	62
306.1 Perkins 403D-11G, View 2 (to serial number TML4011-408).....	64
306.2 Perkins 403D-11G, View 2 (from serial number RL4011-4236).....	66
306.2 Perkins 403D-11G, View 2 (from serial number TML4011-409).....	68
307.1 Generators.....	70

400 Electrical Components

401.1 Control Box, 60HZ, View 1.....	72
402.1 Control Box, 60HZ, View 2.....	74
403.1 Control Box, 50HZ, View 1.....	76
404.1 Control Box, 50HZ, View 2.....	78
405.1 Electrical Wiring and Power Cables.....	80

500 Mast Components

501.1 Mast Assembly and Winch Cable Routing.....	82
502.1 Mast Components.....	84
503.1 Upper Mast Components, RL4000.....	86
504.1 Upper Mast Components, TML.....	88
505.1 Light Assembly, Round.....	90
506.1 Light Assembly, Square.....	92

600 Accessories

601.1 Safety and Convenience.....	94
602.1 Engine Options.....	96

Indices

Part Number Index.....	98
Part Description Index.....	101

Cross References

Required Parts

The following parts are required to perform maintenance procedures as outlined in the Terex RL4000 and TML-4000 Service information.

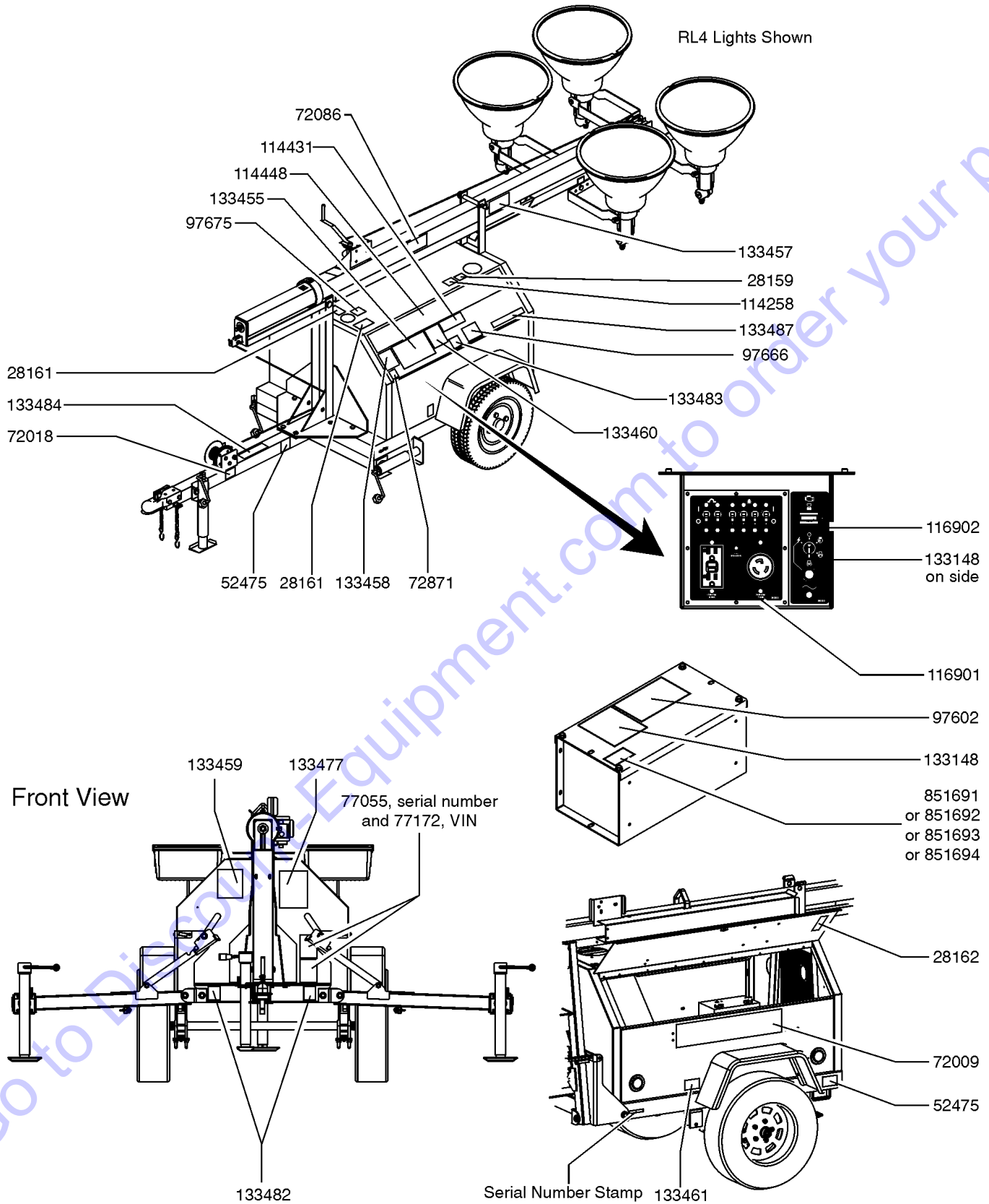
Kubota D1105-D3BG	
Description	Part No.
Dielectric Grease	86399
Air Filter Element	866127
Engine Oil Filter	866050
Fuel Filter Element	839200
In-line Fuel Filter	740620
V-Belt	839209
Lower Radiator Hose	839110
Upper Radiator Hose	839109
Hose Clamp, Upper Radiator Hose	32185
Fuel Return Hose, 1/8"	890785 @ 63'
Hose, Fuel Filter to Fuel Pump, 5/16"	890795 @ 19'
Fuel Hose, Fuel Pump to In-Line Filter	890795 @ 29'
Fuel Hose, In-line Filter to Fuel Tank	890795 @ 16'
Fuel Hose, Tank Equalization	890795 @ 42'
Fuel Hose, Fuel Filter to Injector Pump	890795 @ 15'
Hose Clamp, 5/16" Fuel Line	898590
Perkins 403D-11 Models:	
Description	Part No.
Dielectric Grease	86399
Air Filter Element	866068
Fuel Filter	62421
Engine Oil Filter	85069
V-belt	237710
Manual, Workshop 403D	131632
Manual, Operators, Perkins 403D	131641
Fuel Return Hose, 1/8"	890785 @ 63'
Hose, Fuel Leak-off	237707
Fuel Hose, Fuel Filter to Primer Pump	890795 @ 30'
Fuel Hose, Primer Pump to Fuel Tank	890795 @ 45'
Fuel Hose, Tank Equalization	890795 @ 42'
Fuel Hose, Fuel Filter to Injector Pump	236046
Hose Clamp, 5/16" Fuel Line	898590
Description	
Kit: Upper Cable Assembly	CU61A025
Kit: Lower Cable Assembly	CU61A035
Kit: Mast Tilt Cable Assembly	CU63B054

Recommended Parts

Description	Part No.
Mechanical Jack	841430
Snap Ring, Mechanical Jack	840222
Latch, Outrigger (RL)	51600200
Grease Seal Bearing	CB2100102
Cotter Pin, Axle	7604
Control Box, 60 Hz	
Relay, 12V 30A	R661490
Breaker, 15A	T113641
Breaker, 20A	T113642
Breaker, 30A	T113644
Control Box, 50 Hz	
Relay, 12V 30A	R661490
Breaker, 15A	863870
Breaker, 20A	863970
Breaker, 30A	T113644
Generator	
Capacitor, 5kW	58356
Capacitor, 7.5 kW	85207
Capacitor, 8 kW	229457
Diode (all generators)	836853
Surge Protector (all generators)	836856

Go to Discount-Equipment.com to order your parts

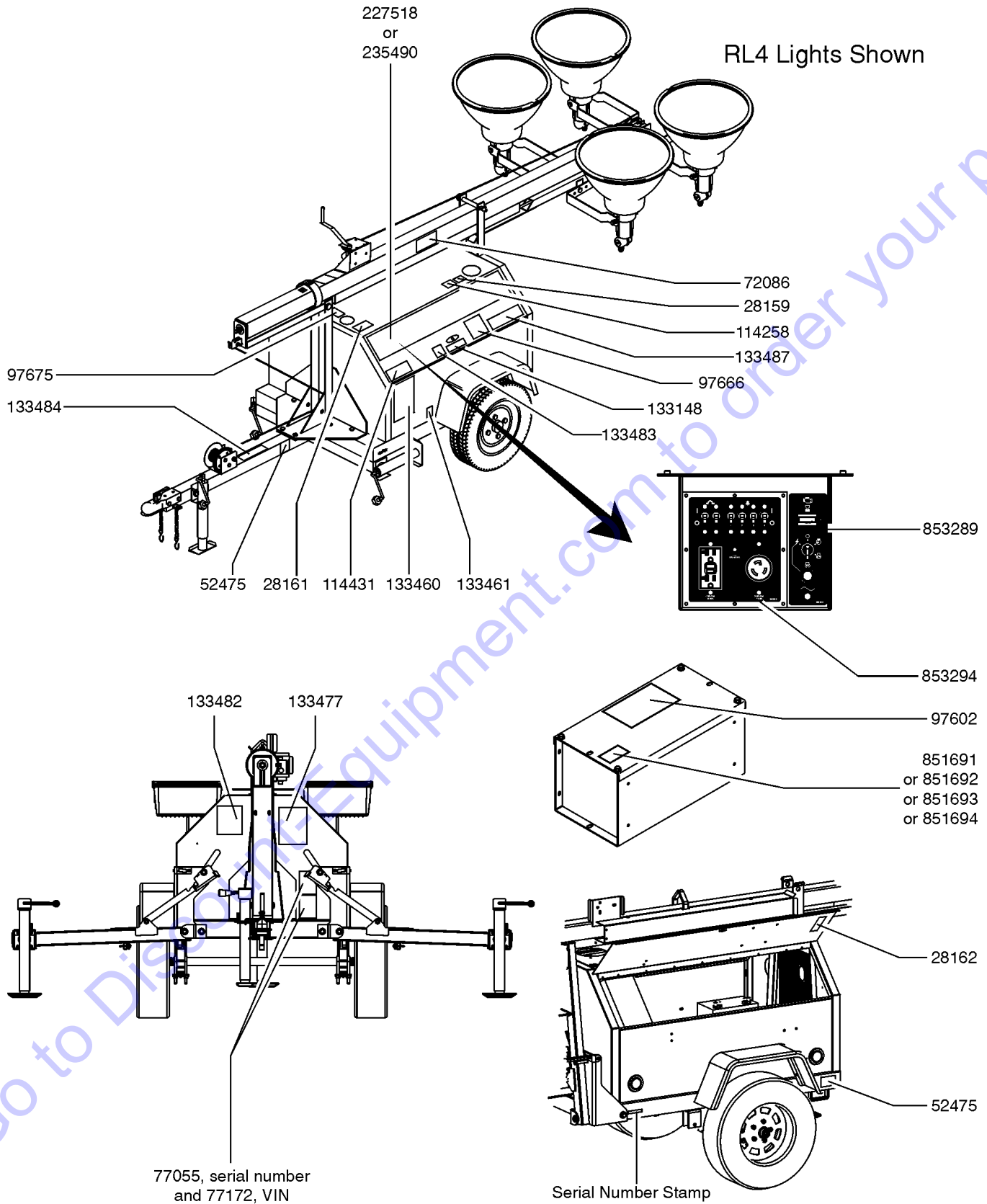
101.1 Decals with Words, Roadside (to serial number RL410-1788 and TML10-289)



101.1 Decals with Words, Roadside (to serial number RL410-1788 and TML10-289)

Item	Part No.	Description	Qty.	Item	Part No.	Description	Qty.
--	237627GT	DECAL KIT,RL4,WRD,TO SN 1788 <i>RL4000 models (from SN RL409-979 to RL410-1788)</i>		23	133459GT	DECAL,WARNING-TOW/TRANS HAZARD.....	1
--	237631GT	DEC KIT,TML4,WRD,TO SN 1788 <i>TML-4000 models (from SN TML10-101 to TML10-289)</i>		24	133460GT	DECAL,OPERATING INSTRUCTIONS.....	1
1	28159GT	DECAL,DIESEL.....	1	25	133461GT	DECAL,TIRE SPECIFICATION.....	2
2	28161GT	DECAL,WARN,CRUSH HAZARD HAND.....	2	26	133477GT	DECAL,WARNING COLLISION HAZ.....	1
3	28162GT	DECAL,WARNING,CRUSHING.....	2	27	133482GT	DECAL,WARNING TIP-OVER HAZ.....	2
4	52475GT	DECAL,LABEL,TRANSPORT TIEDOWN*.....	4	28	133483GT	DECAL,WARNING BURN HAZ.....	2
5	72009GT	DECAL,COSMETIC,GENIE TML4000..... <i>(TML-4000)</i>	2	29	133484GT	DECAL,WARNING TOW SPEED.....	1
6	72018GT	DECAL,NOTICE,RAISE/LWR WINCH.....	1	30	133487GT	DECAL,COSMETIC,RL4000.....	2
7	72086GT	DECAL,LABEL,LIFTING EYE.....	2	31	851691GT	DECAL- 1 (10/CARD BRADY.....)	1
8	72871GT	DECAL,LABEL,POWER OUTLET,120V.....	1	32	851692GT	DECAL- 2 (10/CARD BRADY.....)	1
9	77172GT	LABEL,BLANK,4X5,CHROME POLY***..... <i>(to order, call Genie Parts and Service Department with model and serial number of unit)</i>	1	33	851693GT	DECAL- 3 (10/CARD BRADY.....)	1
9	77172	LABEL,BLANK,4X5,CHROME POLY***..... <i>(to order, call Genie Parts and Service Department with model and serial number of unit)</i>	1	34	851694GT	DECAL - 4 (10/CARD BRADY.....)	1
10	77055GT	SERIAL LABEL,BLANK,4X8,CHROME*..... <i>(This is a blank label. Contact Service Parts to order; the model and serial number of the machine will be required.)</i>	1				
--	77183GT	FILM,POLY,CLEAR,4.5 X 8.75.....	1				
11	97602GT	DECAL,EXPLOSION HAZARD.....	2				
12	97666GT	DECAL,WARN,READ MANUAL.....	1				
13	97675GT	DECAL,WARN,EXPLSION/BURN HAZ.....	1				
14	114258GT	DECAL,DANGER,NO SMOKING.....	1				
15	114431GT	DECAL,DANGER,ELECTROCUTION HZD.....	2				
16	114448GT	COSMETIC,TEREX LOGO-LG..... <i>(RL4000)</i>	1				
17	116901GT	DECAL,CONTROL BOX AC CONSOL.....	1				
18	116902GT	DECAL,CONTROL BOX DC CONSOL.....	1				
19	133148GT	DECAL,DANGER,HAZARD VOLTAGE.....	2				
20	133455GT	DECAL,DANGER,GENERAL SAFETY.....	1				
21	133457GT	DECAL, MAST STOW INSTRUCTIONS.....	2				
22	133458GT	DECAL,INSTRUCTION-SETUP.....	1				

101.2 Decals with Words, Roadside (from serial number RL410-1789 and TML10-290)

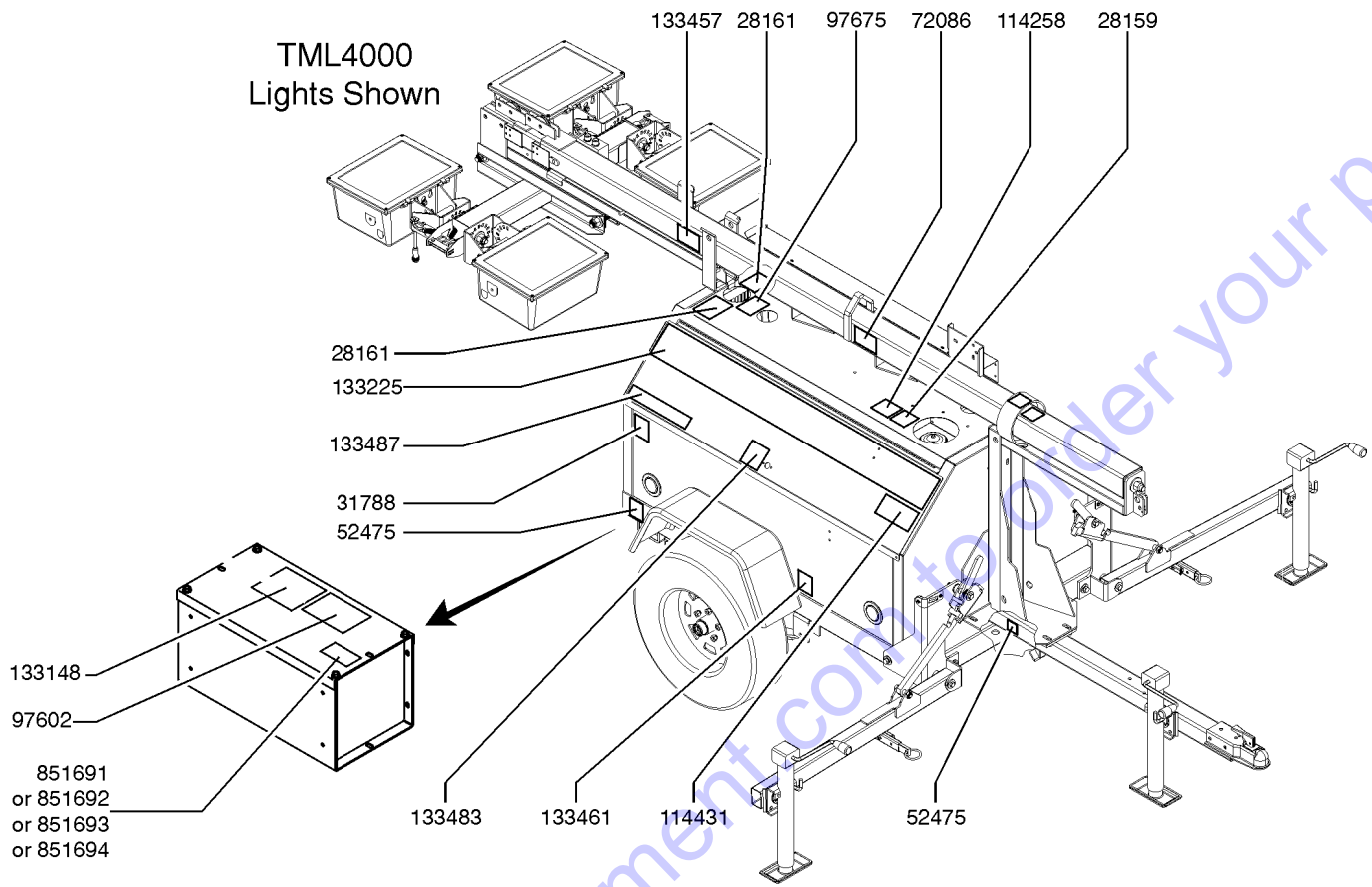


101.2 Decals with Words, Roadside (from serial number RL410-1789 and TML10-290)

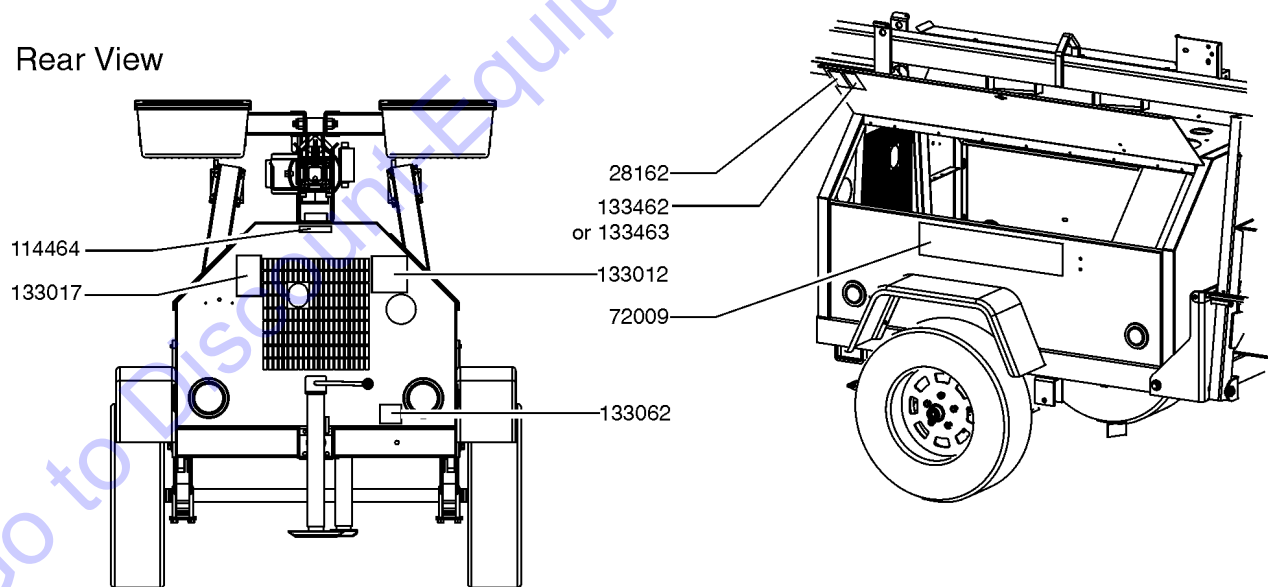
Item	Part No.	Description	Qty.
--	237629GT	DEC KIT,RL4,WRD,FROM SN 1789 <i>RL4000 models (from SN RL410-1789 to RL411-5079)</i>	
--	237633GT	DEC KIT,TML4,WRD,FROM SN 1789 <i>TML-4000 models (from SN TML 10-290 to TML 12-9999)</i>	
1	28159GT	DECAL,DIESEL.....	1
2	28161GT	DECAL,WARN,CRUSH HAZARD HAND.....	1
3	28162GT	DECAL,WARNING,CRUSHING.....	2
4	52475GT	DECAL,LABEL,TRANSPORT TIEDOWN*.....	4
5	72086GT	DECAL,LABEL,LIFTING EYE.....	1
6	77172	LABEL,BLANK,4X5,CHROME POLY***..... <i>(to order, call Genie Parts and Service Department with model and serial number of unit)</i>	1
7	77055GT	SERIAL LABEL,BLANK,4X8,CHROME*..... <i>(This is a blank label. Contact Service Parts to order; the model and serial number of the machine will be required.)</i>	1
--	77183GT	FILM,POLY,CLEAR,4.5 X 8.75.....	1
8	97602GT	DECAL,EXPLOSION HAZARD.....	2
9	97666GT	DECAL,WARN,READ MANUAL.....	1
10	97675GT	DECAL,WARN,EXPLSION/BURN HAZ...	1
11	114258GT	DECAL,DANGER,NO SMOKING.....	1
12	114431GT	DECAL,DANGER,ELECTROCUTION HZD.....	2
13	133148GT	DECAL,DANGER,HAZARD VOLTAGE...	3
14	133460GT	DECAL,OPERATING INSTRUCTIONS...	1
15	133461GT	DECAL,TIRE SPECIFICATION.....	2
16	133477GT	DECAL,WARNING COLLISION HAZ....	1
17	133482GT	DECAL,WARNING TIP-OVER HAZ.....	1
18	133483GT	DECAL,WARNING BURN HAZ.....	2
19	133484GT	DECAL,WARNING TOW SPEED.....	1
20	227518GT	DECAL,COSMETIC TEREX,AL4,AL4L...	2
21	133487GT	DECAL,COSMETIC,RL4000.....	1
23	235490GT	DECAL,COSMETIC, GENIE LOGO.....	1
24	851691GT	DECAL- 1 (10/CARD BRADY.....)	1
25	851692GT	DECAL- 2 (10/CARD BRADY.....)	1
26	851693GT	DECAL- 3 (10/CARD BRADY.....)	1
27	851694GT	DECAL - 4 (10/CARD BRADY.....)	1
28	853289GT	DECAL, AL/RL CONTROL BOX DC.....	1
29	853294GT	DECAL,AL/RL,CONTROL BOX,AC.....	1

102.1 Decals with Words, Curbside (to serial number RL410-1788 and TML10-289)

TML4000
Lights Shown



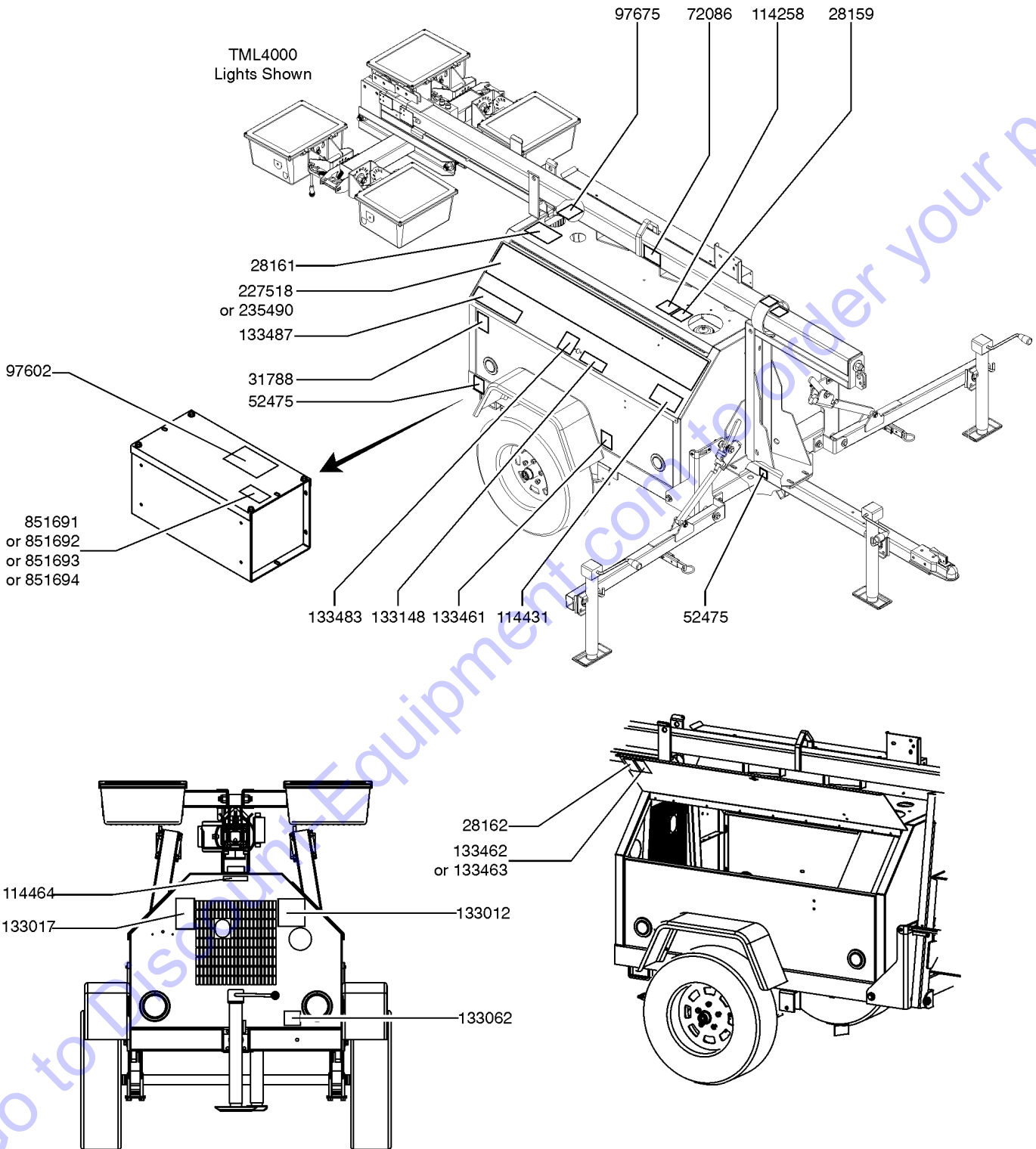
Rear View



102.1 Decals with Words, Curbside (to serial number RL410-1788 and TML10-289)

Item	Part No.	Description	Qty.
--		DECAL KIT,WORD,COMPLETE <i>refer to 101.1</i>	
1	28159GT	DECAL,DIESEL.....	1
2	28161GT	DECAL,WARN,CRUSH HAZARD HAND.....	2
3	28162GT	DECAL,WARNING,CRUSHING.....	2
4	31788GT	DECAL,DANGER,BATTERY SAFETY***.....	1
5	52475GT	DECAL,LABEL,TRANSPORT TIEDOWN*.....	4
6	72009GT	DECAL,COSMETIC,GENIE TML4000..... <i>(TML-4000)</i>	2
7	72086GT	DECAL,LABEL,LIFTING EYE.....	2
8	97602GT	DECAL,EXPLOSION HAZARD.....	2
9	97675GT	DECAL,WARN,EXPLSION/BURN HAZ...1	1
10	114258GT	DECAL,DANGER,NO SMOKING.....	1
11	114431GT	DECAL,DANGER,ELECTROCUTION HZD.....	2
12	114464GT	LABEL,TRAVEL LOCK.....	1
13	133012GT	DECAL,DANGER-BURN/CO HAZARD...1	1
14	133017GT	DECAL,WARNING,CRUSH HZD,TOWER.....	1
15	133062GT	Decal, Label, Ground.....	1
16	133148GT	DECAL,DANGER,HAZARD VOLTAGE...2	2
17	133225GT	DECAL,COSMETIC,TEREX,4X40-R.....1	1
18	133457GT	DECAL, MAST STOW INSTRUCTIONS.....	2
19	133461GT	DECAL,TIRE SPECIFICATION..... <i>(TML-4000)</i>	2
20	133462GT	DECAL,PERKINS ENGINE SPECS.....1	1
21	133463GT	DECAL,KUBOTA ENGINE SPECS.....1	1
22	133483GT	DECAL,WARNING BURN HAZ.....	2
23	133487GT	DECAL,COSMETIC,RL4000..... <i>(RL4000)</i>	2
24	851691GT	DECAL- 1 (10/CARD BRADY.....	1
25	851692GT	DECAL- 2 (10/CARD BRADY.....	1
26	851693GT	DECAL- 3 (10/CARD BRADY.....	1
27	851694GT	DECAL - 4 (10/CARD BRADY.....	1

102.2 Decals with Words, Curbside (from serial number RL410-1789 and TML10-290)

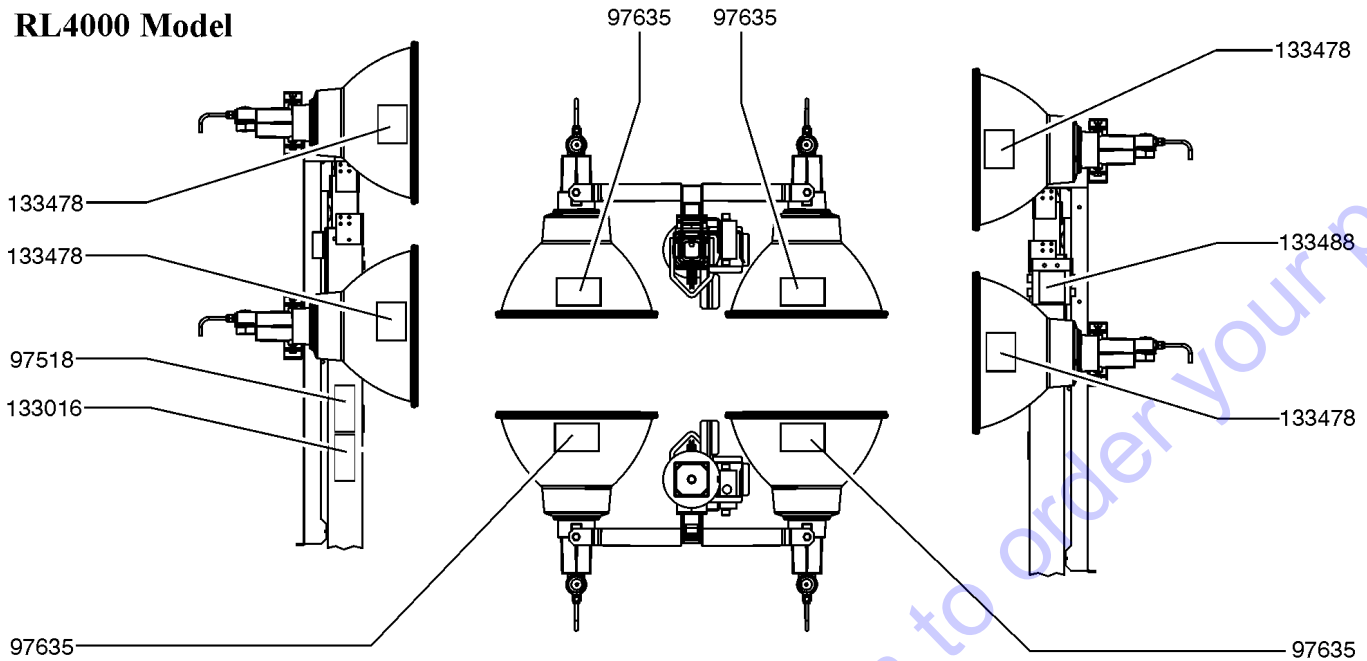


102.2 Decals with Words, Curbside (from serial number RL410-1789 and TML10-290)

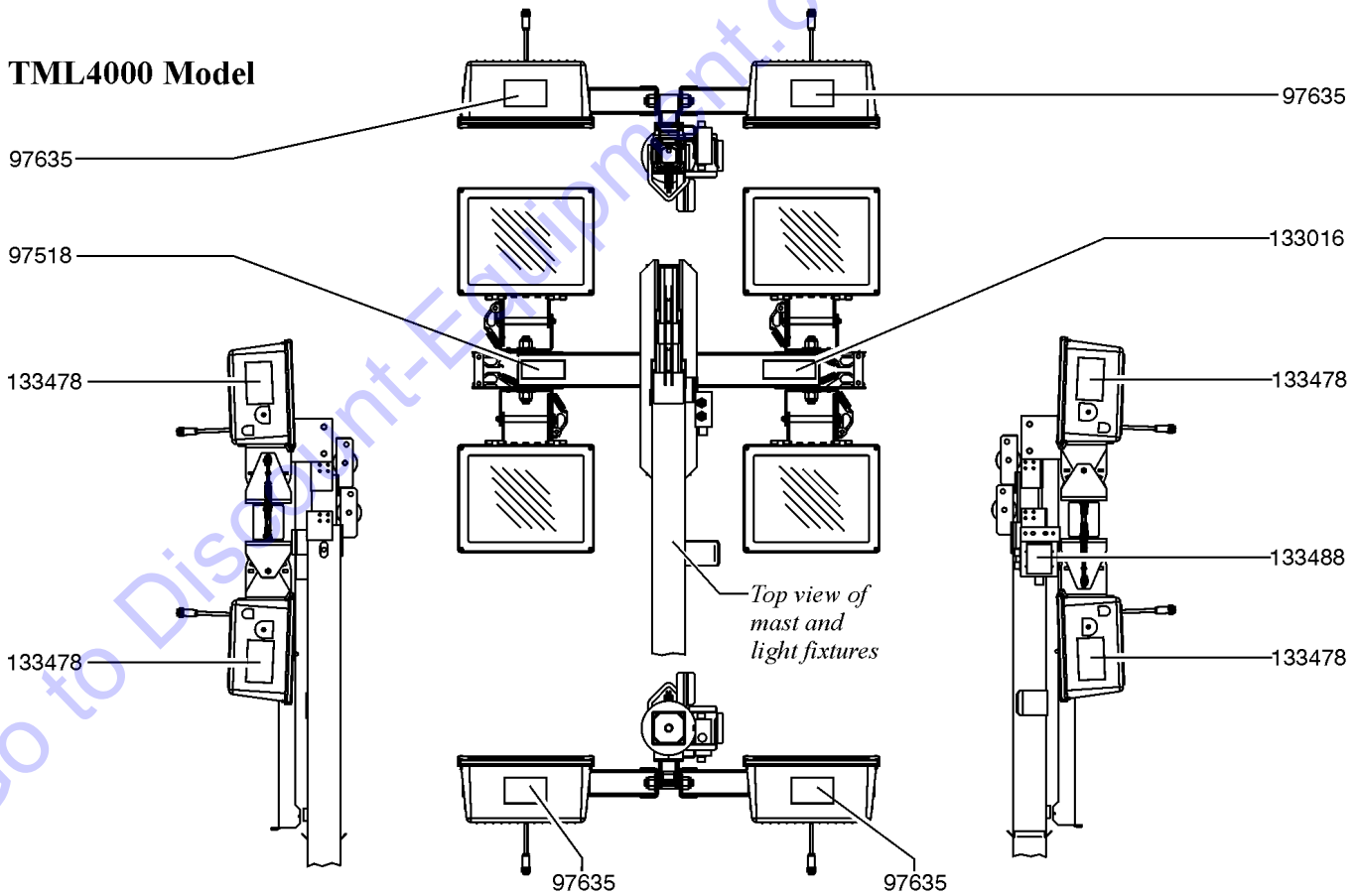
Item	Part No.	Description	Qty.
--		DECAL KIT,WORD,COMPLETE <i>refer to 101.2</i>	
1	28159GT	DECAL,DIESEL.....	1
2	28161GT	DECAL,WARN,CRUSH HAZARD HAND.....	1
3	28162GT	DECAL,WARNING,CRUSHING.....	2
4	31788GT	DECAL,DANGER,BATTERY SAFETY***.....	1
5	52475GT	DECAL,LABEL,TRANSPORT TIEDOWN*.....	4
6	72086GT	DECAL,LABEL,LIFTING EYE.....	1
7	97602GT	DECAL,EXPLOSION HAZARD.....	2
8	97675GT	DECAL,WARN,EXPLSION/BURN HAZ...1	1
9	114258GT	DECAL,DANGER,NO SMOKING.....	1
10	114431GT	DECAL,DANGER,ELECTROCUTION HZD.....	2
11	114464GT	LABEL,TRAVEL LOCK.....	1
12	133012GT	DECAL,DANGER-BURN/CO HAZARD...1	1
13	133017GT	DECAL,WARNING,CRUSH HZD,TOWER.....	1
14	133062GT	Decal, Label, Ground.....	1
15	133148GT	DECAL,DANGER,HAZARD VOLTAGE...3	3
16	133461GT	DECAL,TIRE SPECIFICATION.....	2
17	133462GT	DECAL,PERKINS ENGINE SPECS.....	1
18	133463GT	DECAL,KUBOTA ENGINE SPECS.....	1
19	133483GT	DECAL,WARNING BURN HAZ.....	2
20	227518GT	DECAL,COSMETIC TEREX,AL4,AL4L...2	2
21	133487GT	DECAL,COSMETIC,RL4000.....	2
23	235490GT	DECAL,COSMETIC, GENIE LOGO.....	2
24	851691GT	DECAL- 1 (10/CARD BRADY.....	1
25	851692GT	DECAL- 2 (10/CARD BRADY.....	1
26	851693GT	DECAL- 3 (10/CARD BRADY.....	1
27	851694GT	DECAL - 4 (10/CARD BRADY.....	1

103.1 Decals with Words, Lights (to serial number RL410-1788 and TML10-289)

RL4000 Model



TML4000 Model

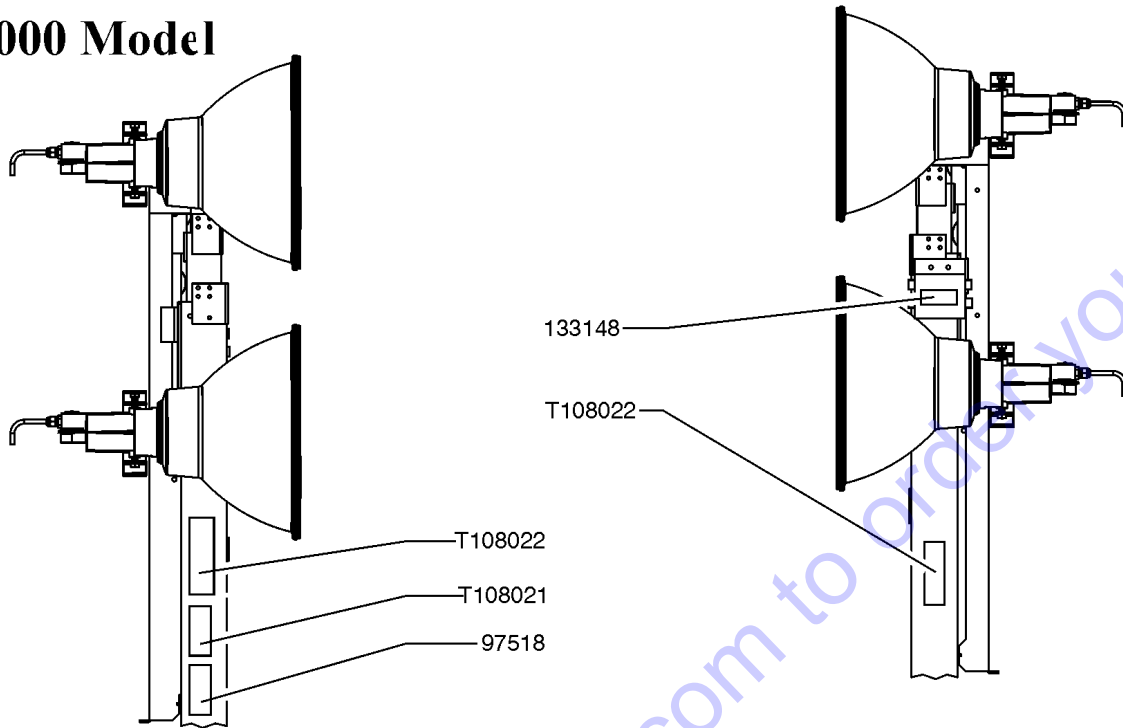


103.1 Decals with Words, Lights (to serial number RL410-1788 and TML10-289)

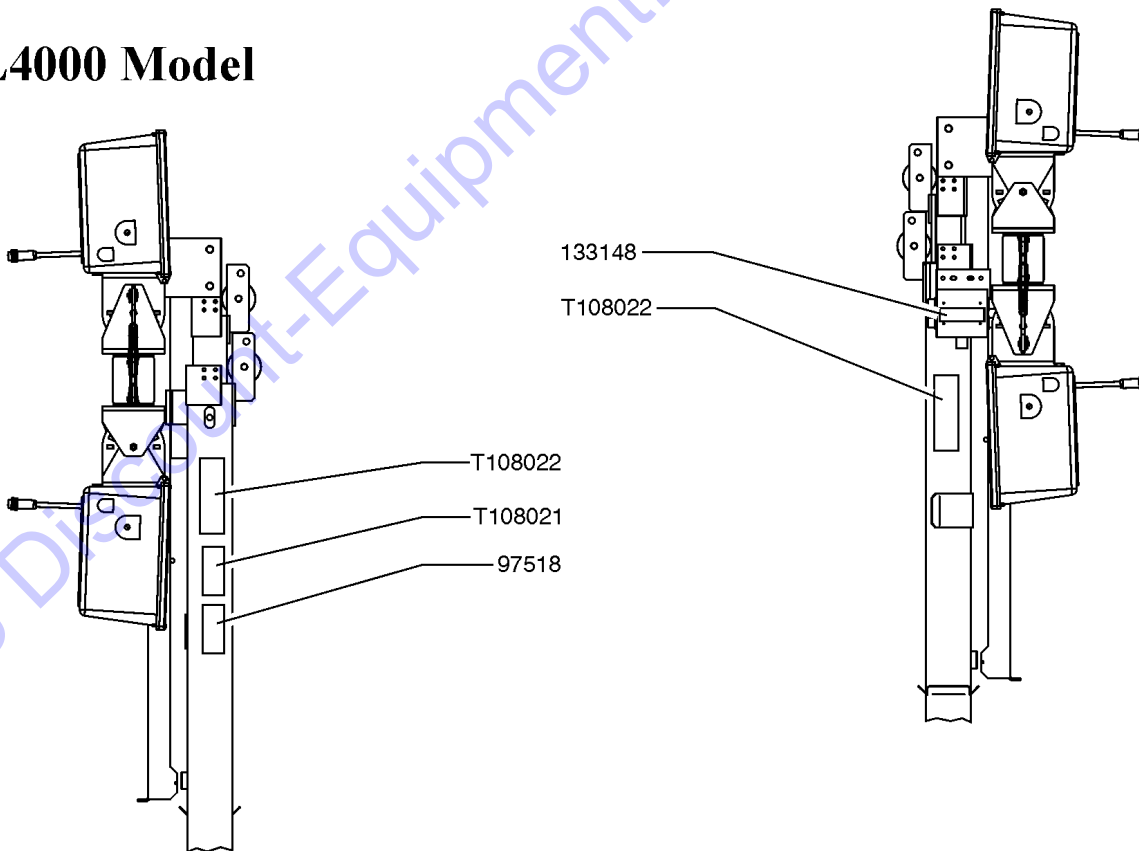
Item	Part No.	Description	Qty.
--		DECAL KIT,WORD,COMPLETE <i>refer to 101.1</i>	
1	97518GT	Decal, Instruction, Lamp Disposal.....	1
2	97635GT	DECAL,WARN,PROTECTIVE BARRIER.....	4
3	133016GT	DECAL,DANGER,ELEC HAZARD,READ.....	1
4	133478GT	DECAL,WARNING BURN HAZ.....	4
5	133488GT	DECAL,CAUTION TIGHTEN.....	1

103.2 Decals with Words, Lights (from serial number RL410-1789 and TML10-290)

RL4000 Model



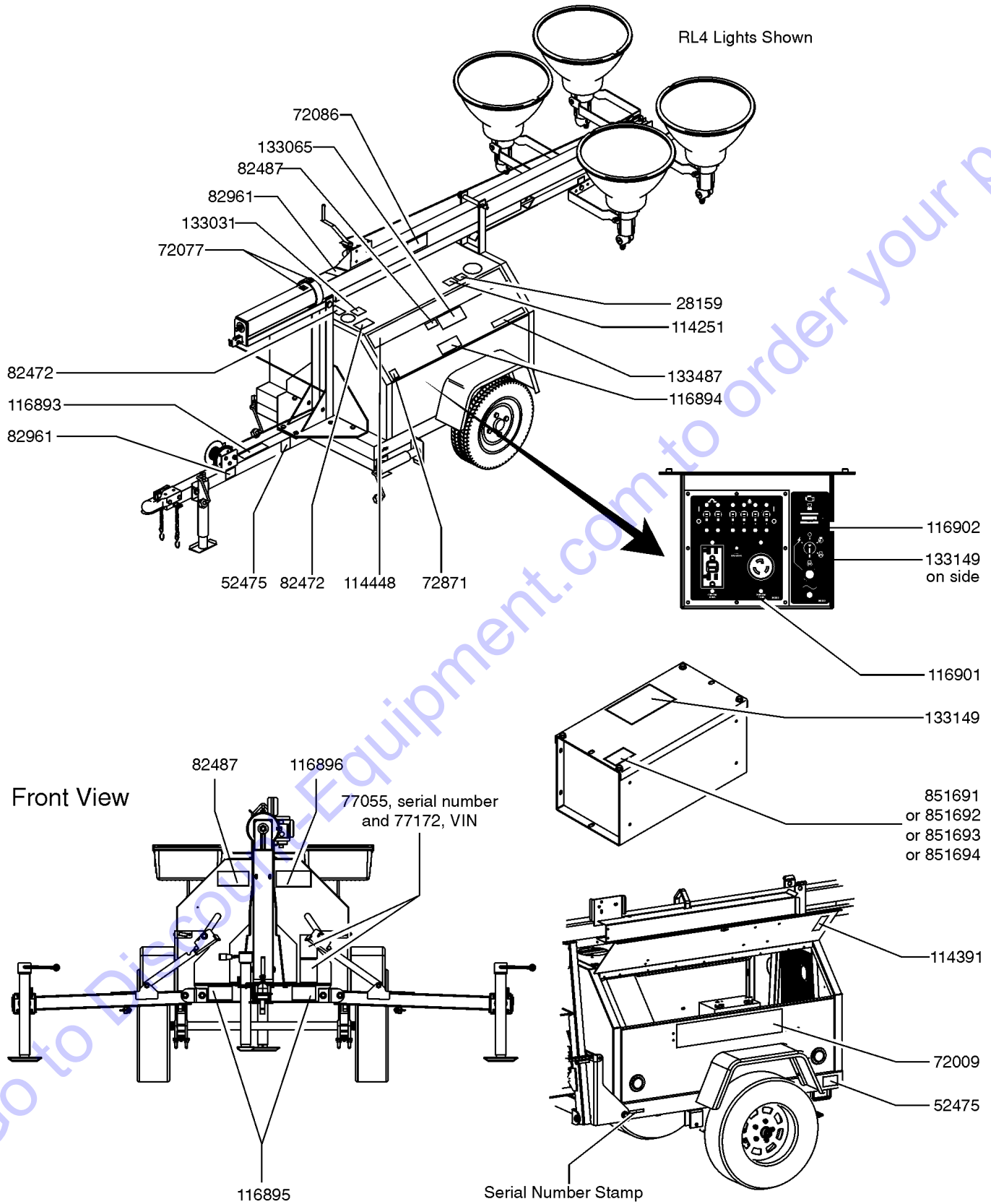
TML4000 Model



103.2 Decals with Words, Lights (from serial number RL410-1789 and TML10-290)

Item	Part No.	Description	Qty.
--		DECAL KIT,WORD,COMPLETE <i>refer to 101.2</i>	
1	97518GT	Decal, Instruction, Lamp Disposal.....1	
2	133148GT	DECAL,DANGER,HAZARD VOLTAGE....1	
3	T108021GT	DECAL,WARN,PROTECTIVE BARRIER.....1	
4	T108022GT	DECAL, WARNING BURN HAZARD.....4	

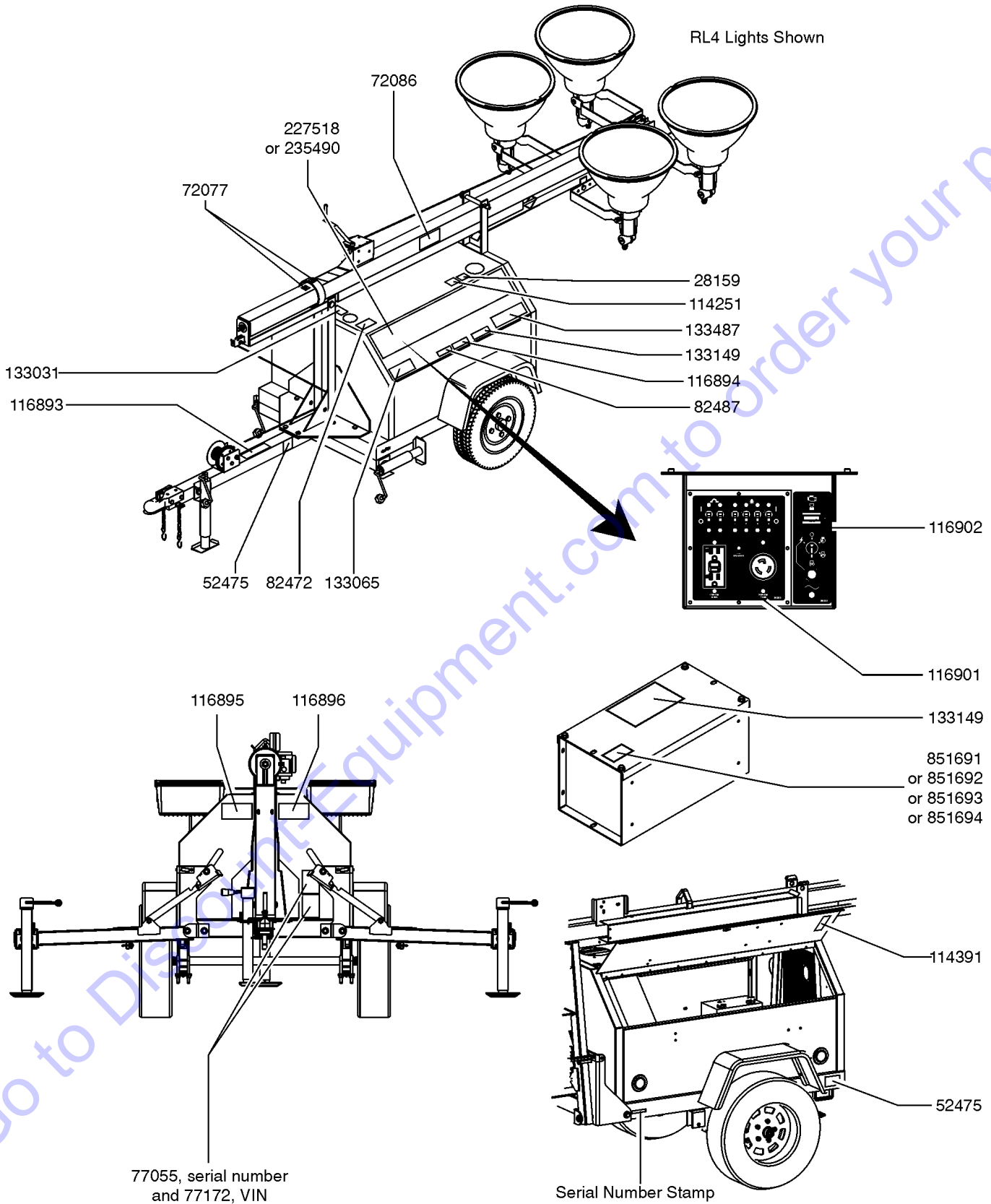
104.1 Decals with Symbols, Roadside (to serial number RL410-1788 and TML10-289)



104.1 Decals with Symbols, Roadside (to serial number RL410-1788 and TML10-289)

Item	Part No.	Description	Qty.	Item	Part No.	Description	Qty.
--	237628GT	DECAL KIT,RL4,SYM,TO SN 1788 <i>RL4000 models (from SN RL409-979 to RL410-1788)</i>		23	133149GT	DECAL,LABEL-ELEC HAZ,SERV MAN..2	
--	237632GT	DEC KIT,TML4,SYM,TO SN 1788 <i>TML-4000 models (from SN TML10-101 to TML10-289)</i>		24	133487GT	DECAL,COSMETIC,RL4000.....2	
1	28159GT	DECAL,DIESEL.....1		25	851691GT	DECAL- 1 (10/CARD BRADY.....1	
2	52475GT	DECAL,LABEL,TRANSPORT TIEDOWN*.....4		26	851692GT	DECAL- 2 (10/CARD BRADY.....1	
3	72009GT	DECAL,COSMETIC,GENIE TML4000.....2 <i>(TML-4000)</i>		27	851693GT	DECAL- 3 (10/CARD BRADY.....1	
4	72077GT	DECAL,LABEL,ARROW.....2		28	851694GT	DECAL - 4 (10/CARD BRADY.....1	
5	72086GT	DECAL,LABEL,LIFTING EYE.....2					
6	72871GT	DECAL,LABEL,POWER OUTLET,120V.....1					
7	77172GT	LABEL,BLANK,4X5,CHROME POLY***.....1 <i>(to order, call Genie Parts and Service Department with model and serial number of unit)</i>					
7	77172	LABEL,BLANK,4X5,CHROME POLY***.....1 <i>(to order, call Genie Parts and Service Department with model and serial number of unit)</i>					
8	82472GT	DECAL,WARNING,CRUSHING HAZARD.....2					
9	82487GT	DECAL, SYMBOL - READ THE MANUAL.....2					
10	82961GT	DECAL, LABEL, RAISE/LOWER SYMB.....2					
11	77055GT	SERIAL LABEL,BLANK,4X8,CHROME*.....1 <i>(This is a blank label. Contact Service Parts to order; the model and serial number of the machine will be required.)</i>					
--	77183GT	FILM,POLY,CLEAR,4.5 X 8.75.....1					
12	114251GT	DECAL,LABEL,NO SMOKING,SYMB....1					
13	114391GT	DECAL,WARNING,CRUSHING.....2					
14	114448GT	COSMETIC,TEREX LOGO-LG.....1 <i>(RL4000)</i>					
15	116893GT	DECAL,TOW SPEED SYMBOL.....1					
16	116894GT	DECAL,BURN HAZARD SYMBOL.....2					
17	116895GT	DECAL,TIP HAZARD SYMBOL.....2					
18	116896GT	DECAL,COLLISION HAZARD SYMBOL.....2					
19	116901GT	DECAL,CONTROL BOX AC CONSOL....1					
20	116902GT	DECAL,CONTROL BOX DC CONSOL....1					
21	133031GT	Label - Burn Hazard.....1					
22	133065GT	DECAL,LABEL-ELEC HAZ,DISTANCE...2					

104.2 Decals with Symbols, Roadside (from serial number RL410-1789 and TML10-290)

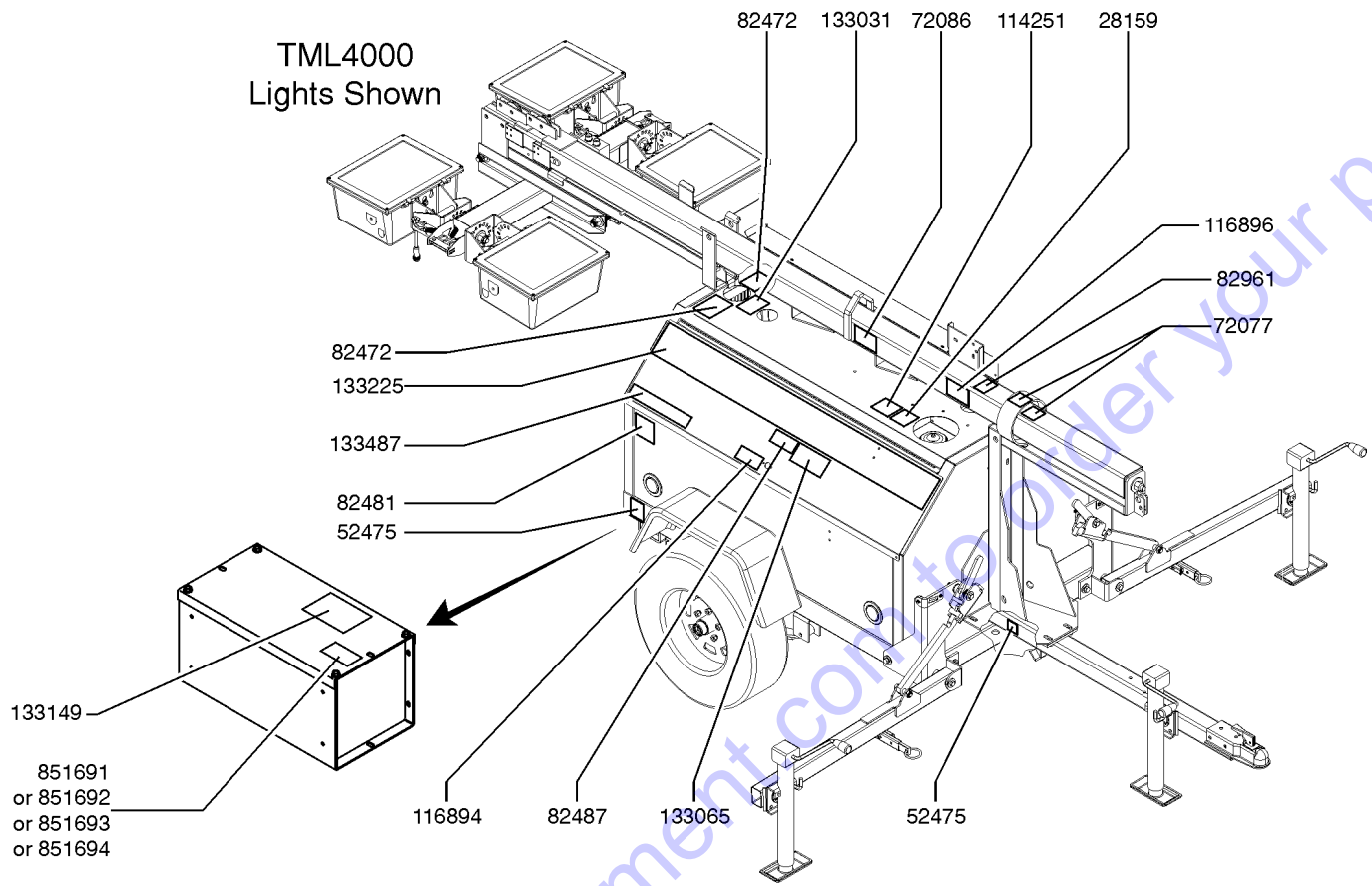


104.2 Decals with Symbols, Roadside (from serial number RL410-1789 and TML10-290)

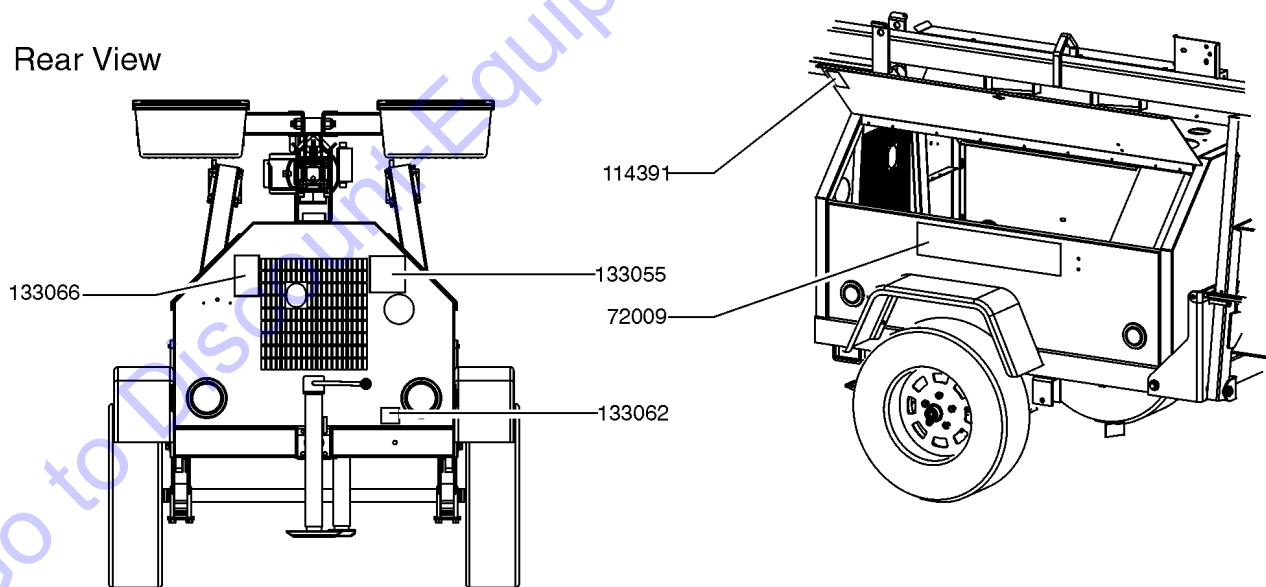
Item	Part No.	Description	Qty.	Item	Part No.	Description	Qty.
--	237630GT	DEC KIT,RL4,SYM,FROM SN 1789 <i>RL4000 models (from SN RL410-1789 to RL411-5079)</i>		20	133149GT	DECAL,LABEL-ELEC HAZ,SERV MAN..3	
--	237634GT	DEC KIT,TML4,SYM,FROM SN 1789 <i>TML-4000 models (from SN TML10-290 to TML12-9999)</i>		20	227518GT	DECAL,COSMETIC TEREX,AL4,AL4L..2	
1	28159GT	DECAL,DIESEL.....	1	21	133487GT	DECAL,COSMETIC,RL4000.....	2
2	52475GT	DECAL,LABEL,TRANSPORT TIEDOWN*.....	4	23	235490GT	DECAL,COSMETIC, GENIE LOGO.....	2
3	72077GT	DECAL,LABEL,ARROW.....	2	24	851691GT	DECAL- 1 (10/CARD BRADY.....)	1
4	72086GT	DECAL,LABEL,LIFTING EYE.....	2	25	851692GT	DECAL- 2 (10/CARD BRADY.....)	1
5	77172	LABEL,BLANK,4X5,CHROME POLY***..... <i>(to order, call Genie Parts and Service Department with model and serial number of unit)</i>	1	26	851693GT	DECAL- 3 (10/CARD BRADY.....)	1
6	82472GT	DECAL,WARNING,CRUSHING HAZARD.....	2	27	851694GT	DECAL - 4 (10/CARD BRADY.....)	1
7	82487GT	DECAL, SYMBOL - READ THE MANUAL.....	2				
8	77055GT	SERIAL LABEL,BLANK,4X8,CHROME*..... <i>(This is a blank label. Contact Service Parts to order; the model and serial number of the machine will be required.)</i>	1				
--	77183GT	FILM,POLY,CLEAR,4.5 X 8.75.....	1				
9	114251GT	DECAL,LABEL,NO SMOKING,SYMB.....	1				
10	114391GT	DECAL,WARNING,CRUSHING.....	2				
11	114448GT	COSMETIC,TEREX LOGO-LG.....	2				
11	116893GT	DECAL,TOW SPEED SYMBOL.....	1				
12	116893GT	DECAL,TOW SPEED SYMBOL.....	1				
12	116894GT	DECAL,BURN HAZARD SYMBOL.....	2				
13	116894GT	DECAL,BURN HAZARD SYMBOL.....	2				
13	116895GT	DECAL,TIP HAZARD SYMBOL.....	2				
14	116895GT	DECAL,TIP HAZARD SYMBOL.....	2				
14	116896GT	DECAL,COLLISION HAZARD SYMBOL.....	2				
15	116896GT	DECAL,COLLISION HAZARD SYMBOL.....	2				
15	116901GT	DECAL,CONTROL BOX AC CONSOL....	1				
16	116901GT	DECAL,CONTROL BOX AC CONSOL....	1				
16	116902GT	DECAL,CONTROL BOX DC CONSOL....	1				
17	116902GT	DECAL,CONTROL BOX DC CONSOL....	1				
17	133031GT	Label - Burn Hazard.....	1				
18	133031GT	Label - Burn Hazard.....	1				
18	133065GT	DECAL,LABEL-ELEC HAZ,DISTANCE...2					
19	133065GT	DECAL,LABEL-ELEC HAZ,DISTANCE...2					
19	133149GT	DECAL,LABEL-ELEC HAZ,SERV MAN..3					

105.1 Decals with Symbols, Curbside (to serial number RL410-1788 and to TML10-289)

TML4000
Lights Shown



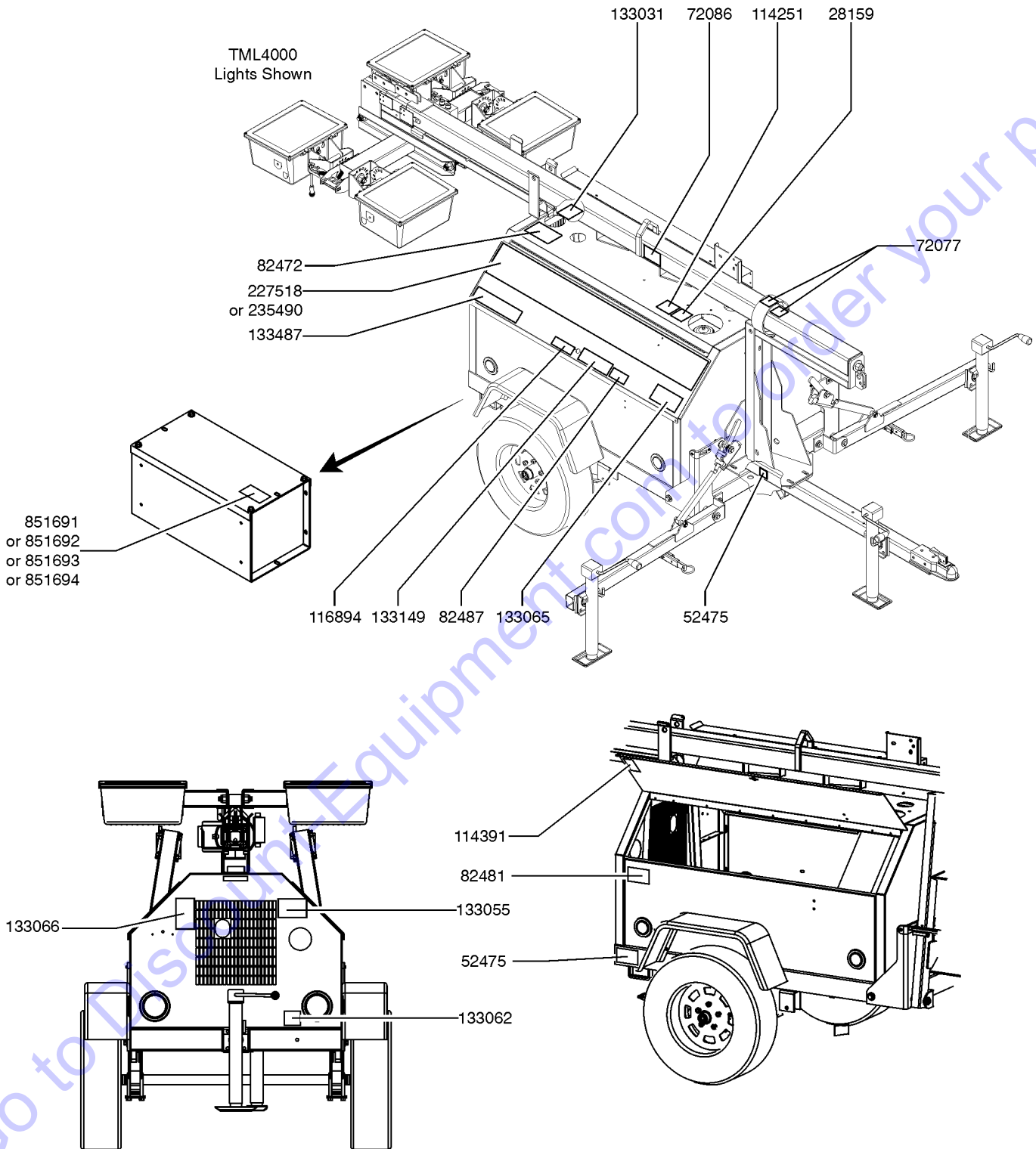
Rear View



105.1 Decals with Symbols, Curbside (to serial number RL410-1788 and to TML10-289)

Item	Part No.	Description	Qty.
--		DECAL KIT,SYMBOL,COMPLETE <i>refer to 104.1</i>	
1	28159GT	DECAL,DIESEL.....	1
2	52475GT	DECAL,LABEL,TRANSPORT TIEDOWN*.....	4
3	72009GT	DECAL,COSMETIC,GENIE TML4000.....	2
4	72077GT	DECAL,LABEL,ARROW.....	2
5	72086GT	DECAL,LABEL,LIFTING EYE.....	2
6	82472GT	DECAL,WARNING,CRUSHING HAZARD.....	2
7	82481GT	DECAL,SYMBOL-BATTERY SAFETY.....	1
8	82487GT	DECAL,SYMBOL-READ THE MANUAL.....	2
9	82961GT	DECAL,LABEL,RAISE/LOWER SYMB.....	2
10	114251GT	DECAL,LABEL,NO SMOKING,SYMB.....	1
11	114391GT	DECAL,WARNING,CRUSHING.....	2
12	116894GT	DECAL,BURN HAZARD SYMBOL.....	2
13	116896GT	DECAL,COLLISION HAZARD SYMBOL.....	2
14	133031GT	Label - Burn Hazard.....	1
15	133055GT	DECAL,LABEL,BURN/CO2 HAZARD.....	1
16	133062GT	Decal, Label, Ground.....	1
17	133065GT	DECAL,LABEL-ELEC HAZ,DISTANCE...2	
18	133066GT	DECAL,LABEL-CRUSH HAZ,TOWER.....	1
19	133149GT	DECAL,LABEL-ELEC HAZ,SERV MAN.2	
20	133225GT	DECAL,COSMETIC,TEREX,4X40-R.....	1
21	133487GT	DECAL,COSMETIC,RL4000.....	2
22	851691GT	DECAL- 1 (10/CARD BRADY.....	1
23	851692GT	DECAL- 2 (10/CARD BRADY.....	1
24	851693GT	DECAL- 3 (10/CARD BRADY.....	1
25	851694GT	DECAL - 4 (10/CARD BRADY.....	1

105.2 Decals with Symbols, Curbside (from serial number RL410-1789 and TML10-290)

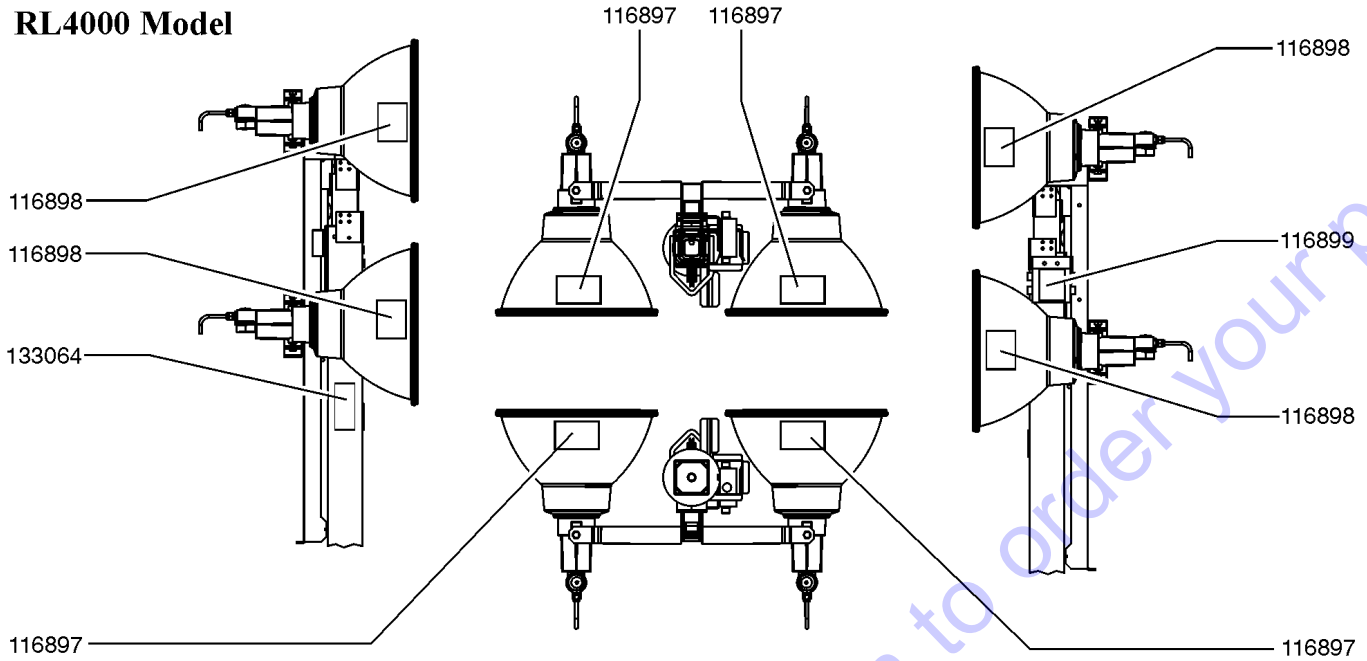


105.2 Decals with Symbols, Curbside (from serial number RL410-1789 and TML10-290)

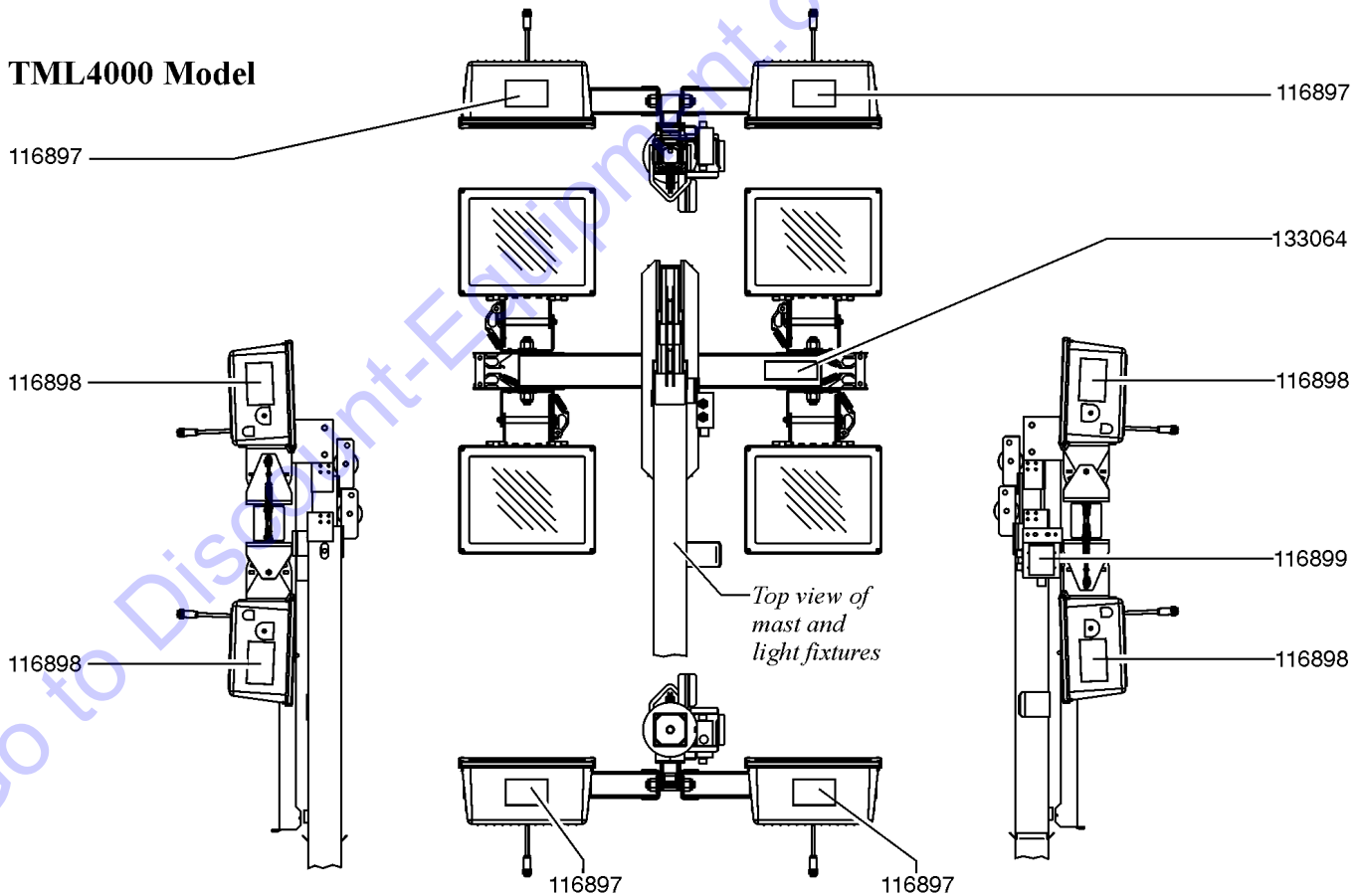
Item	Part No.	Description	Qty.
--		DECAL KIT,SYMBOL,COMPLETE <i>refer to 104.2</i>	
1	28159GT	DECAL,DIESEL.....	2
2	52475GT	DECAL,LABEL,TRANSPORT TIEDOWN*.....	4
3	72077GT	DECAL,LABEL,ARROW.....	2
4	72086GT	DECAL,LABEL,LIFTING EYE.....	2
5	82472GT	DECAL,WARNING,CRUSHING HAZARD.....	2
6	82481GT	DECAL,SYMBOL-BATTERY SAFETY.....	1
7	82487GT	DECAL, SYMBOL - READ THE MANUAL.....	2
8	114251GT	DECAL,LABEL,NO SMOKING,SYMB.....	1
9	114391GT	DECAL,WARNING,CRUSHING.....	2
10	116894GT	DECAL,BURN HAZARD SYMBOL.....	2
11	133031GT	Label - Burn Hazard.....	1
12	133055GT	DECAL,LABEL,BURN/CO2 HAZARD.....	1
13	133062GT	Decal, Label, Ground.....	1
14	133065GT	DECAL,LABEL-ELEC HAZ,DISTANCE...2	
15	133066GT	DECAL,LABEL-CRUSH HAZ,TOWER.....	1
16	133149GT	DECAL,LABEL-ELEC HAZ,SERV MAN...3	
17	227518GT	DECAL,COSMETIC TEREX,AL4,AL4...2	
18	133487GT	DECAL,COSMETIC,RL4000.....	2
20	235490GT	DECAL,COSMETIC, GENIE LOGO.....	2
21	851691GT	DECAL- 1 (10/CARD BRADY.....	1
22	851692GT	DECAL- 2 (10/CARD BRADY.....	1
23	851693GT	DECAL- 3 (10/CARD BRADY.....	1
24	851694GT	DECAL - 4 (10/CARD BRADY.....	1

106.1 Decals with Symbols, Lights (to serial number RL410-1788 and TML10-289)

RL4000 Model



TML4000 Model

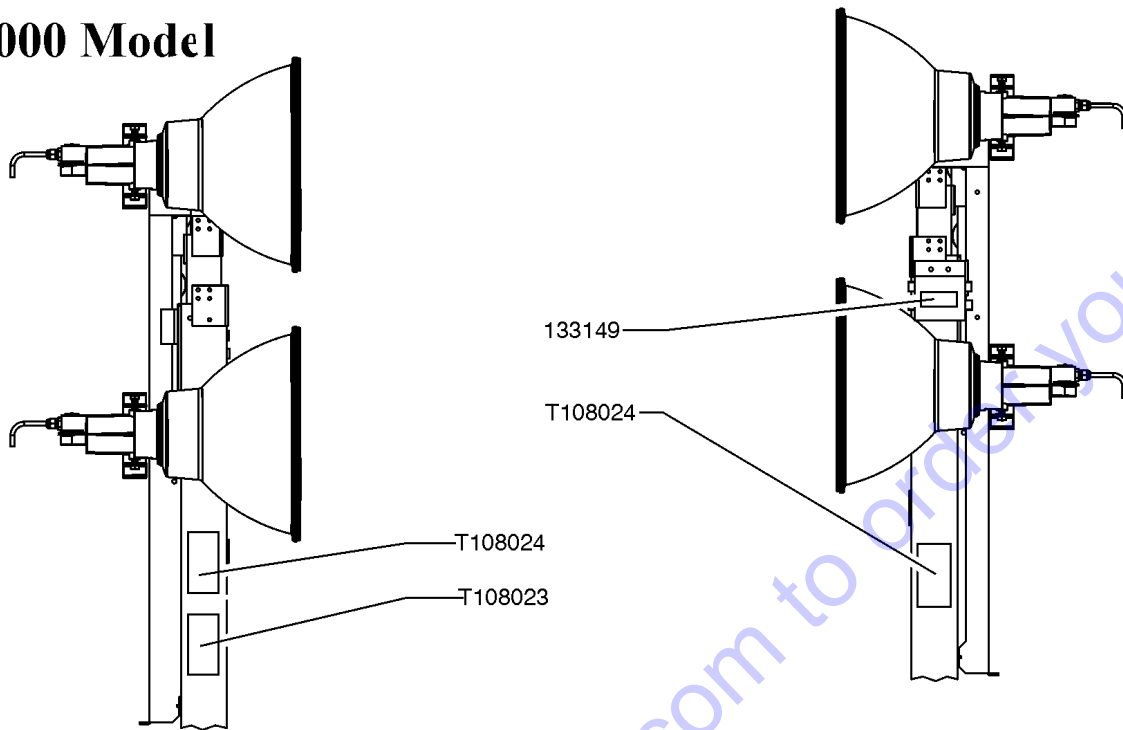


106.1 Decals with Symbols, Lights (to serial number RL410-1788 and TML10-289)

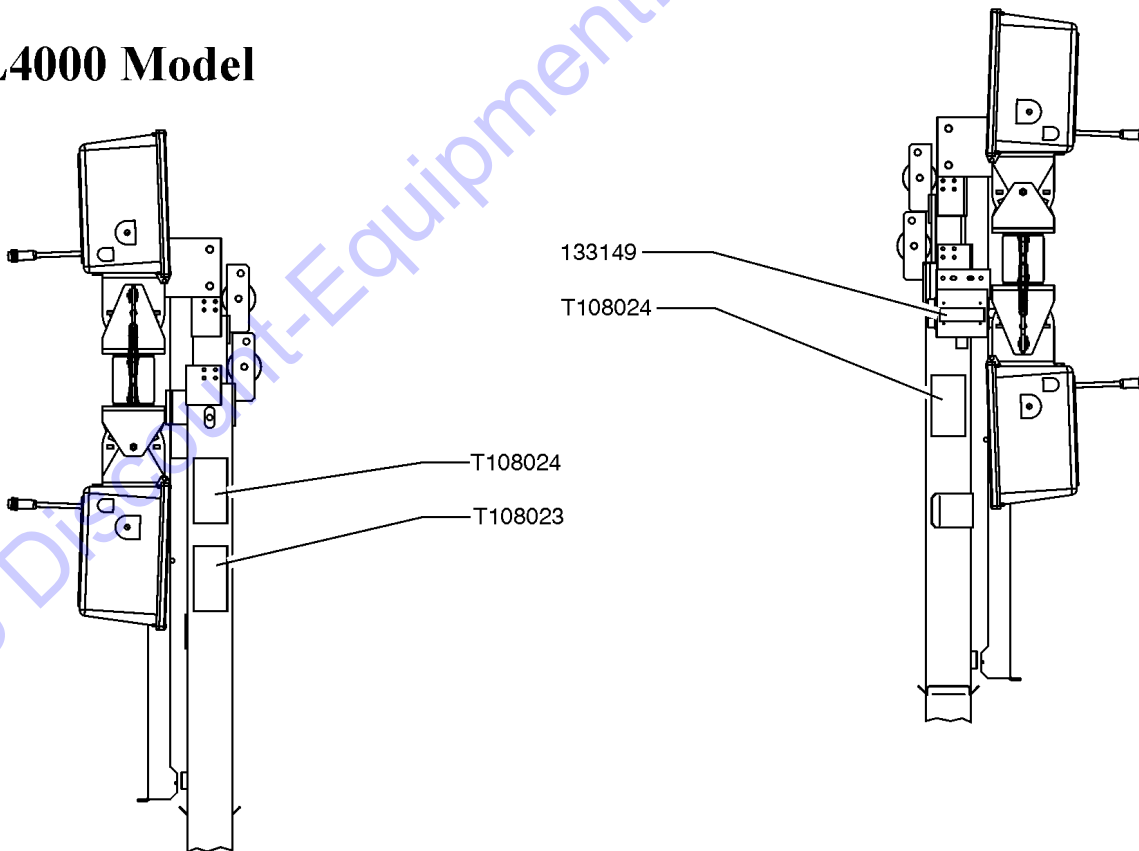
Item	Part No.	Description	Qty.
--		DECAL KIT,SYMBOL,COMPLETE <i>refer to 104.1</i>	
1	116897GT	DECAL,BODILY INJURY SYMBOL.....	4
2	116898GT	DECAL,BURN HAZARD SYMBOL.....	4
3	116899GT	DECAL,TIGHTEN FIXTURES SYMBOL.....	2
4	133064GT	DECAL,LABEL-ELEC HAZ VOLTAGE.....	1

106.2 Decals with Symbols, Lights (from serial number RL410-1789 and TML10-290)

RL4000 Model



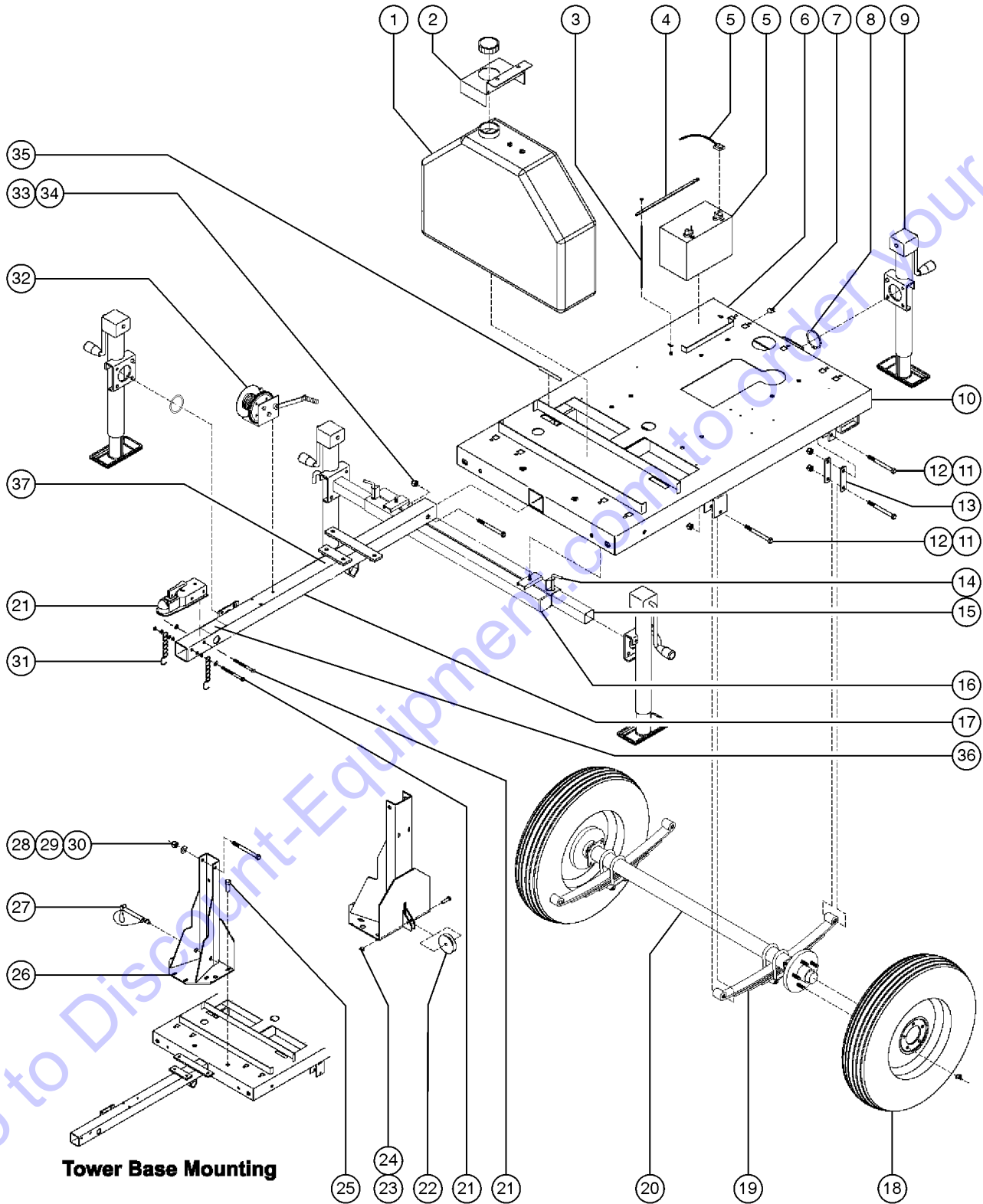
TML4000 Model



106.2 Decals with Symbols, Lights (from serial number RL410-1789 and TML10-290)

Item	Part No.	Description	Qty.
--		DECAL KIT,SYMBOL,COMPLETE <i>refer to 104.2</i>	
1	133149GT	DECAL,LABEL-ELEC HAZ,SERV MAN..3	
2	T108023GT	DECAL,BODILY INJURY SYMBOL.....1	
3	T108024GT	DECAL,BURN HAZARD SYMBOL.....2	

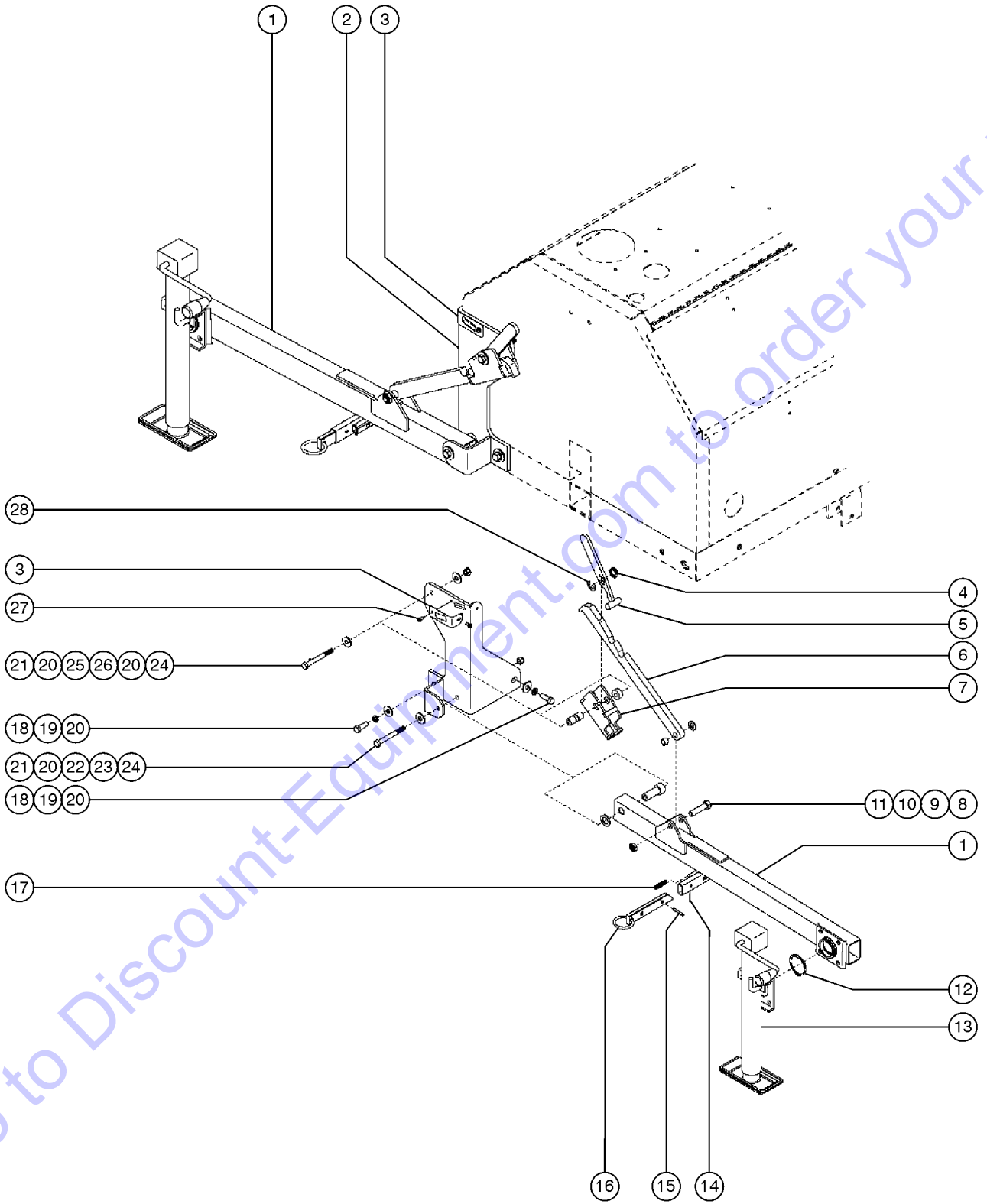
201.1 Chassis



201.1 Chassis

Item	Part No.	Description	Qty.	Item	Part No.	Description	Qty.
1		Ref., FUEL TANK <i>refer to 203.1</i>		19	834211GT	SPRING,LEAF FOR AXLE, 4 PLY.....	2
2		Ref., FUEL TANK SUPPORT BKT <i>refer to 203.1</i>		19A	236977GT	KIT,U-BOLT,PLATE,&NUTS,116949.....	2
3A	182330GT	FP-BATTERY HOLD-DOWN ROD.....	2	20		Ref., AXLE <i>refer to 204.1</i>	
--	990150GT	NUT,NYLOCK,1/4-20 GR2		21		Ref., HITCH.....	1
3B	182331GT	BATTERY HOLD DOWN ROD <i>11.25 inches</i>				<i>refer to 205.1</i>	
--	990150GT	NUT,NYLOCK,1/4-20 GR2.....	2	22	C61400100GT	PULLEY,STEEL,3".....	1
4	174170GT	FP-BATTERY HOLDOWN ANGLE.....	1	23	990200GT	NUT,NYLOCK,1/2-13 GR2.....	1
5		Ref., BATTERY CABLES.....	1	24	990820GT	SCREW,HHC,1/2-13 X 2 G.....	1
		<i>refer to 405.1</i>		25	C54201300GT	SCREW FLANGE 1/2 -13X.....	1
5A	112300GT	BATTERY.....	1	26	CS63C080GT	BASE,BOOM/TOWER RL4.....	1
5B	161085GT	BATTERY,12V,700CCA		27	C61300500GT	YOKE & BASE PIN ASSEMBLY.....	1
6	851820GT	DECAL- SYMBOL FOR GROUND.....	1	--	790510GT	CABLE,1/16",7X7 480LB.....	2
7	C51600600GT	NUT,CLIP,3/8-16X.75.....	9			<i>for C61300500GT</i>	
8	840222GT	SNAP RING,JACK (841430).....	4	--	C61300402GT	SLEEVE,CABLE,1/16".....	4
9	841430GT	JACK,MECHANICAL,3000LB.....	4			<i>for C61300500GT</i>	
9A	834204GT	FULTON HANDLE FOR JACK <i>for jack with round plastic top</i>		--	C61300501GT	PIN,0.75 X 7' ZINC.....	1
9A	834219GT	HAMMERBLOW HANDLE FOR JACK <i>for jack with square metal top</i>				<i>for C61300500GT</i>	
9A	840221GT	JACK BRACKET,WELD ON SWIVEL <i>for 841430</i>		--	C61300502GT	CLIP,HITCH PIN.....	1
10	CR82C000GT	BASE,TRAILER RL4.....	1			<i>for C61300500GT</i>	
11	216631GT	BOLT,AXLE,3/16X3 W/7/16-20STEP		28	C54100200GT	NUT, NYLOCK 7/8-9 Z.....	1
12	840395GT	NUT,AXLE SPRING 2000NO.....	6	29	C54300400GT	WASHER,FLAT,7/8 Z.....	1
13	841473GT	SHACKLE,AXLE,4-5/8" LONG.....	4	30	C54300200GT	WASHER FLAT 1/2ZP.....	1
14	C51600200GT	LATCH HEAVY DUTYSRING.....	2	31A	22111936GT	CHAIN,SAFETY,3000#,3/8 X 30 IN.....	2
15	216370GT	LEG,OUTRIGGER RL.....	2			<i>30" safety chain with S-hook</i>	
		<i>RL models</i>		31B	22111935GT	MA-CHAIN SAFETY 3000LB 3/8X30"	
16		Ref., OUTRIGGERS <i>TML models; refer to 202.1</i>				<i>30" safety chain with snap hook</i>	
16	CS62A011GT	HOUSING,OUTRIGGER RL4.....	1	31C	162160GT	CHAIN, SAFETY, SNAP HOOK	
		<i>RL models</i>				<i>42" safety chain with snap hook</i>	
16A	990200GT	NUT,NYLOCK,1/2-13 GR2.....	2	32		Ref., WINCH <i>refer to 208.1</i>	
		<i>RL models</i>		32	990160GT	SCREW,HHC,3/8-16 X 3.75.....	1
16A	993860GT	WASHER,FLAT,1/2 SS 18-8 BIN.....	2	32	C51601462GT	NUT FLANGE 3/8 -16.....	3
		<i>RL models</i>		32A	CU63B054GT	CABLE,TOWER TILT,.25 IN RL4.....	1
17	230051GT	TONGUE, RL/TML <i>(after May, 2011)</i>		33	993180GT	NUT,NYLOCK,3/4-10 ZP.....	1
17	CS82A020GT	TONGUE W/JACKBRKT B-O-H.....	1	34	C54200800GT	BOLT 3/4 -10X 5 Z G5.....	1
		<i>(before June, 2011)</i>		35	930950GT	WTHRSRIP, 1/4" X 1/2"W.....	.96
18A	116021GT	WHEEL/TIRE ASSY,13",175/80 LRB.....	2			<i>inches</i>	
18B		Ref., LUG NUT <i>refer to 204.1</i>		36	851310GT	DECAL-ATTN ALL JACKS MUST BE.....	3
				37	CR51A102GT	DECAL,WARNING,ALL OUTRIGGER.....	1

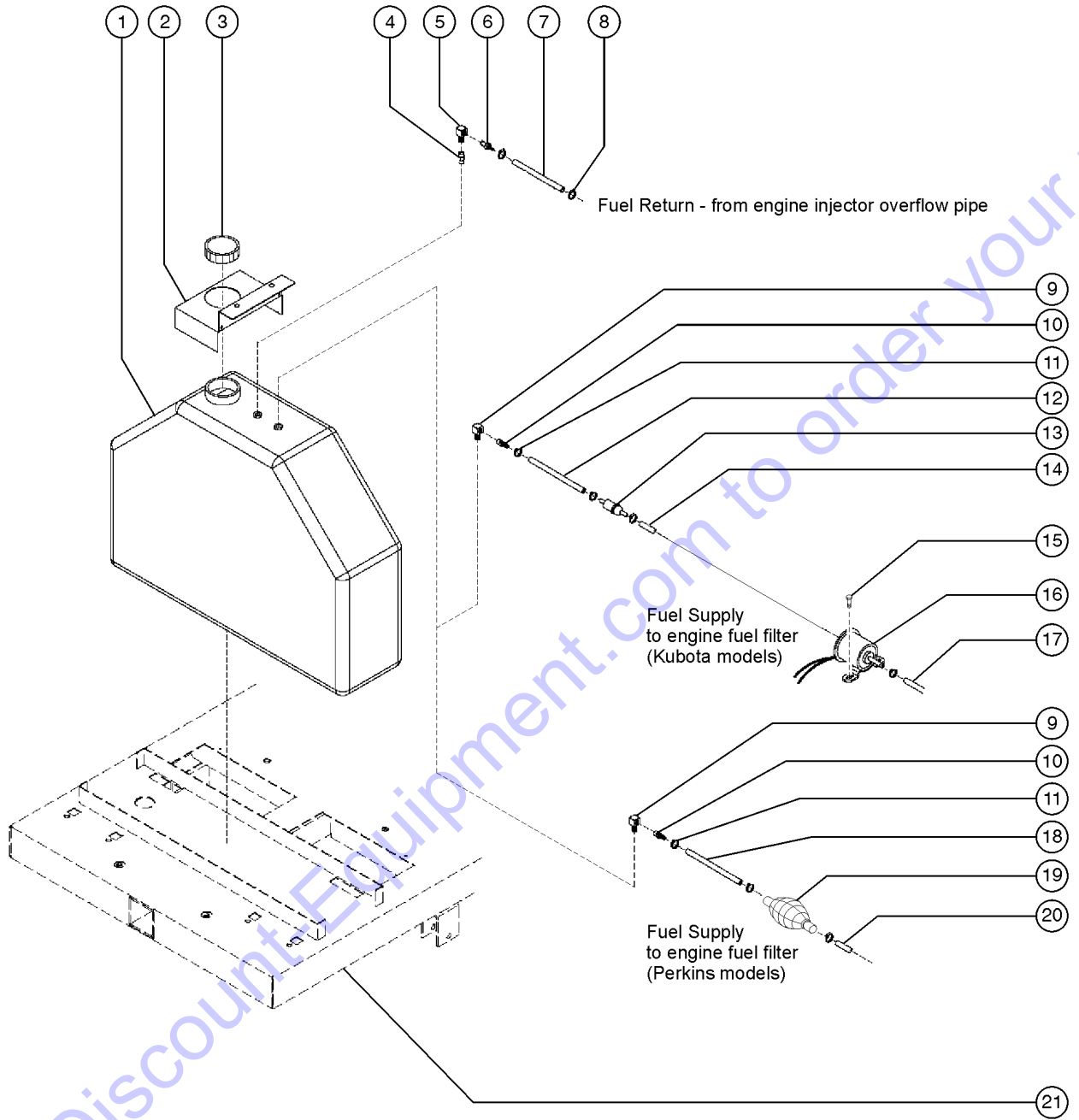
202.1 TML Outriggers



Go to Discount-Equipment.com to order your parts

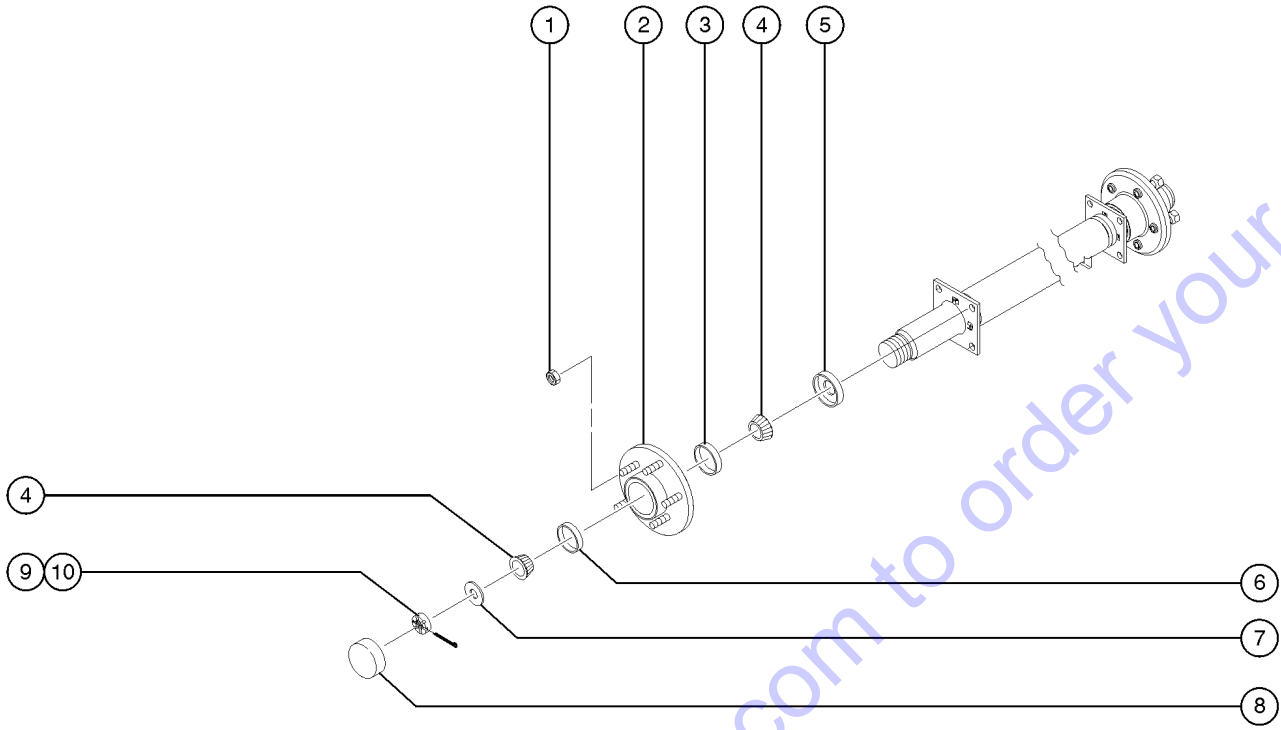
Item	Part No.	Description	Qty.
1	116667GT	WELDMENT,OUTRIGGER CS.....1 <i>right front</i>	1
1A	116668GT	WELDMENT,OUTRIGGER RS.....1 <i>left front</i>	1
2	116563GT	AS-BRACKET,RS,OUTRIGGER MNT.....1	1
--	116564GT	AS-BRACKET,CS,OUTRIGGER MNT.....1	1
3	116674GT	FP-STRIKER PLATE,TML RS.....1	1
--	116686GT	FP-STRIKER PLATE,TML CS.....1	1
4	69814GT	SPRING, TORSION,.875 ID X .50.....2	2
5	69800GT	WELDMENT, OUTRIGGER HANDLE.....2	2
6	80003GT	STRUT BAR, OUTRIGGER.....2	2
7	80000GT	WELDMENT, STRUT GUIDE***.....2	2
8	51131GT	SCREW,HHC,5/8-11 X 2.5.....2	2
9	42191GT	WASHER,FLAT,.640X1.160X.09.....2	2
10	69815GT	SPACER, SLEEVE,.63 X .75 X .50.....2	2
11	38028GT	NUT,LP NYLOCK,5/8-11.....2	2
12	840222GT	SNAP RING,JACK (841430).....2	2
13	841430GT	JACK,MECHANICAL,3000LB.....2	2
--	834204GT	FULTON HANDLE FOR JACK <i>for jack with round plastic top</i>	
--	834219GT	HAMMERBLOW HANDLE FOR JACK <i>for jack with square metal top</i>	
--	840221GT	JACK BRACKET,WELD ON SWIVEL <i>for 841430</i>	
14	990650GT	COTTER PIN 1/8X1 SSBIN STOCK.....2	2
15	990660GT	ROLL PIN 1/4 X1-5/8.....2	2
16	120222GT	CLEVIS,CYLINDER END.....2	2
17	790710GT	SPRING,COIL,1/2 X 2.25.....2	2
18	981660GT	SCREW 1/2-13 X 1.5 IN.....2	2
19	991650GT	WASHER LOCK 1/2ZP.....2	2
20	990210GT	WASHER FLAT 1/2ZP.....5	5
21	995320GT	SCREW 1/2-13NCX4-1/2H.....2	2
22	33373GT	WASHER,SHIM,1.50 X .890 X .09.....1	1
23	80203GT	BUSHING, OUTRIGGER, MAIN.....1	1
24	6198GT	NUT,NYLOCK,1/2-13.....2	2
25	69813GT	BUSHING, .875 X.507 X 2.04.....1	1
26	80323GT	SPACER, STRUT.....1	1
27	995810GT	SCREW 1/4-20NCX5/8 HW.....2	2
28	32499GT	E CLIP,.875 IN.SL LEG.....1	1

203.1 Fuel Tank and Hoses



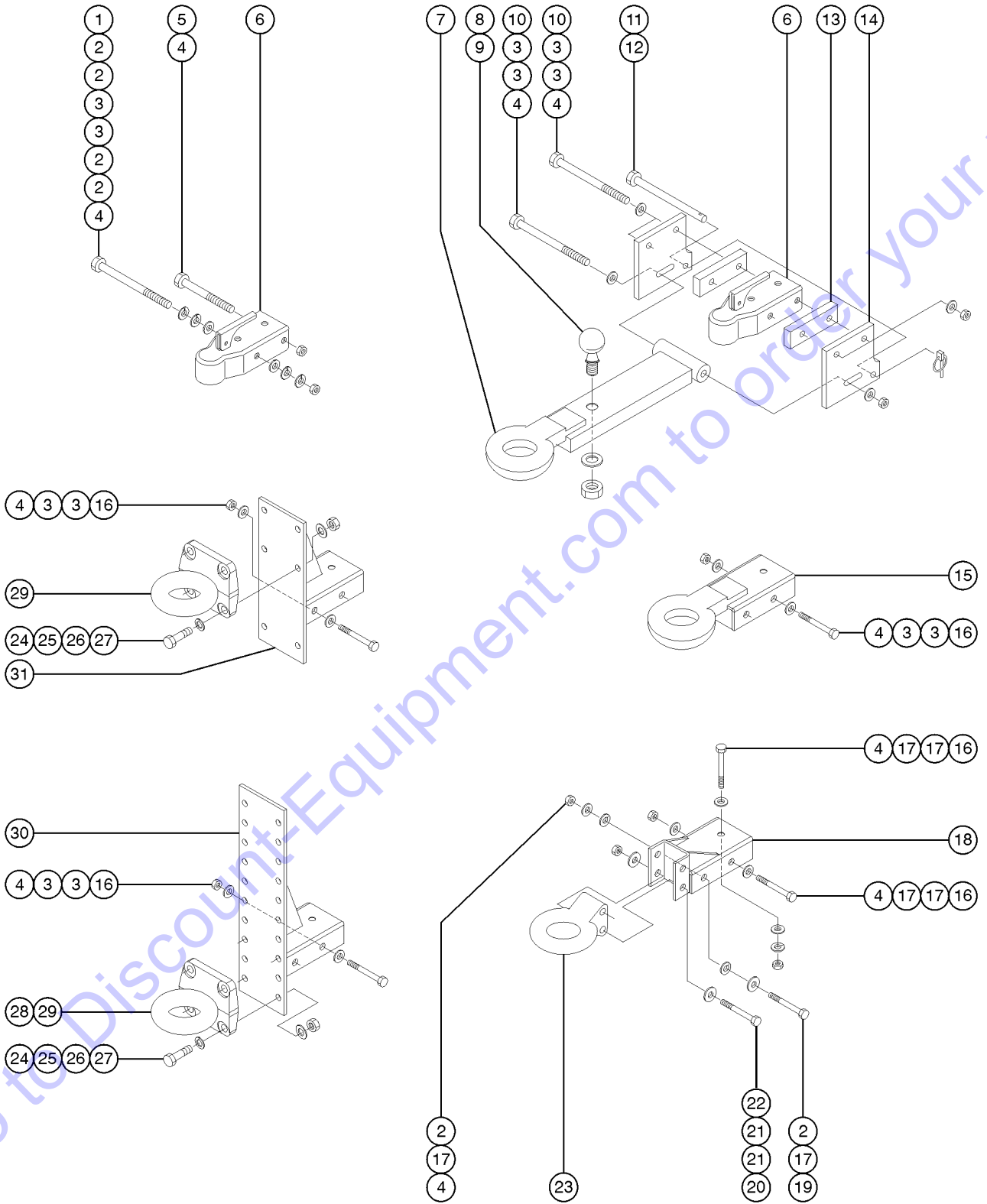
Item	Part No.	Description	Qty.
1		FUEL TANK ASSY,PLASTIC,30G,RL4...1 <i>Fuel tank part number CR21A000GT is no longer available. If ordering a replacement fuel tank you must order RL4 Fuel Tank Kit (part number 1255815). Item numbers 2-20 can still be ordered for units with older style fuel tanks.</i>	
--	14262GT	PLUG,HEX SOCKET,3/8 MPT <i>tank drain</i>	
2	CR59B035GT	FUEL TANK SUPPORTBRKT. RL4-B.....1	
--	996380GT	NUTSERT 5/16-18 UNCP/.....2	
3	217717GT	CAP FUEL RL4/AL4 WITH TETHER.....1	
4	891550GT	FITTING,STRAIGHT ADAPTER.....1	
5	891520GT	PIPE FITTING STR ELBO.....1	
6	891560GT	HOSE FITTING PIPE/BAR.....1	
7	890785GT	HOSE,FUEL,1/8"ID.....5.5-feet <i>fuel return from engine injector pipe to tank</i>	
8	792750GT	CLAMP 7/16 TO 25/32.....2	
9	C90200400GT	FITTING,PICKUP & RETURN.....1	
10	898590GT	HOSE FITTING PIPE/BAR.....1	
11	792750GT	CLAMP 7/16 TO 25/32.....5	
12	890795GT	HOSE,FUEL,5/16"ID.....15-feet <i>fuel supply from tank to inline filter</i>	
13	740620GT	FILTER,IN-LINE,FUEL,5/16".....1 <i>Kubota models</i>	
14	890795GT	HOSE,FUEL,5/16"ID.....2.5-feet <i>fuel supply from inline filter to pump</i>	
15	995810GT	SCREW 1/4-20NCX5/8 HW.....2 <i>for 660320GT</i>	
16	660320GT	PUMP,FUEL, 12VDC.....1 <i>Kubota models (mounted on chassis)</i>	
16A	R890065GT	HOSE FITTING PIPE/BARB 1/8MX.....2 <i>for 660320GT</i>	
17	890795GT	HOSE,FUEL,5/16"ID.....1.75-feet <i>fuel supply from pump to engine fuel filter</i>	
18	890795GT	HOSE,FUEL,5/16"ID.....4-feet <i>fuel supply from tank to primer pump</i>	
19	85155GT	PUMP,PRIMER,PERKINS***.....1 <i>Perkins models</i>	
20	890795GT	HOSE,FUEL,5/16"ID.....2.5-feet <i>fuel supply from primer pump to engine fuel filter</i>	
21		Ref., CHASSIS <i>refer to 201.1</i>	

204.1 Axle



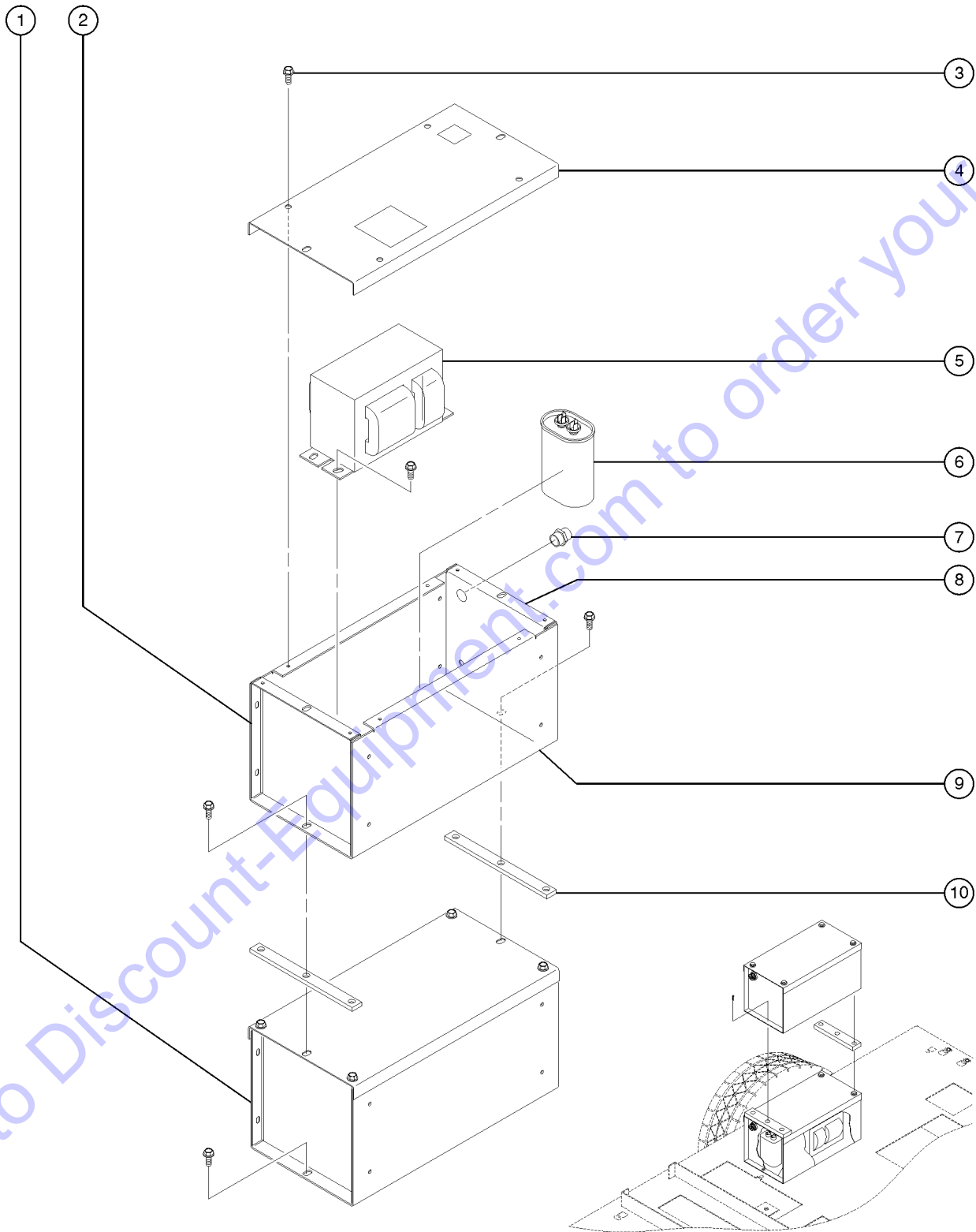
Item	Part No.	Description	Qty.
--	116949GT	AXLE ASSY,2200#,STRAIGHT <i>Complete (includes items 1-10)</i>	
1	840376GT	NUT,WHEEL, 1/2 X 20.....	10
2	236978GT	KIT,HUBS,BRINGS&SEALS,116949GT.. <i>includes items 3-5, 7 and 9</i>	1
3		RACE, INNER..... <i>for reference only - not available separately</i>	1
4	230561GT	BEARING,ALXL,840377,841050.....	2
5	147122GT	GREASE SEAL.....	1
6		RACE, OUTER..... <i>for reference only - not available separately</i>	1
7	147123GT	WASHER,PLAIN,1"	
8	834228GT	GREASE CAP, AXLE, 3000LB.....	1
9	834250GT	HAMMERBLOW SPINDLE NUT,AXLE....	1
10	7604GT	PINCOTTER 0.125 1.750	

205.1 Hitches



Item	Part No.	Description	Qty.
1	994200GT	SCREW 1/2-13NCX5-1/2H	
2	991650GT	WASHER LOCK 1/2ZP	
3	6095GT	WASHER,FLAT,USS,1/2",Y	
4	990200GT	NUT,NYLOCK,1/2-13 GR2	
5	995310GT	SCREW,HHC,1/2-13 X 4 G	
6	841500GT	**COUPLER SURGE 2" BALL,6000#.....1 <i>used with hydraulic brake option only</i>	
--	57332GT	COUPLER,BALL,2" CLASS II	
7	T109127GT	HITCH RING,COMBO,16"LENGTH.....1	
8	89163GT	BALL, 2" ZINC.....1	
9	122079GT	WASHER,FLAT,1.000,HARDENED	
9	33265GT	NUT,HEX,1-8	
10	996030GT	SCREW,HHC,1/2-13 X 6 GR5 ZP	
11	183731GT	SCREW,HHC,1/2-13 X 6	
12	78390GT	PIN,LYNCH.....1	
13	T109129GT	SPACER,SIDE,COMBO,HTCH,BOLT-ON.2	
14	176335GT	PLATE,SIDE,COMBO HITCH,BOLT-ON.....2	
15	213770GT	HITCH,RING,BOLT-ON 2.5" ID.....1	
16	13854GT	SCREW,HHC,1/2-13 X 4.5,GRD.8	
17	990210GT	WASHER FLAT 1/2ZP	
18	116936GT	AS-RING HITCH MOUNT.....1	
19	6-5208-44GT	SCREW,HHC,1/2-13 X 5.5,GRD.8	
20	123461GT	SCREW,HHC,5/8-11X4.50,GR8,Y	
21	6035GT	WASHER,FLAT,USS,5/8",Y	
22	6024GT	NUT,NYLOCK,5/8-11	
23A	116937GT	HITCH,2.5"RING,6 TON.....1 <i>2.5 inch ring</i>	
23B	T110632GT	HITCH,3"RING,6TON.....1 <i>3 inch ring</i>	
24	51131GT	SCREW,HHC,5/8-11 X 2.5	
25	993835GT	WASHER FLAT 5/8	
26	993890GT	WASHER LOCK 5/8 ZP	
27	994630GT	NUT HEX 5/8-11NCGRADE2 ZP	
28	211410GT	AS-RING HITCH FOR ADJ HT <i>2.5 inch ring</i>	
29	841200GT	HITCH PINTLE RING 3 I.....1 <i>3 inch ring</i>	
30	221580GT	HITCH, ADJ HEIGHT BOLT ON.....1	
31	124450GT	HITCH 24 HEIGHT.....1	

206.1 Ballast Box Assembly

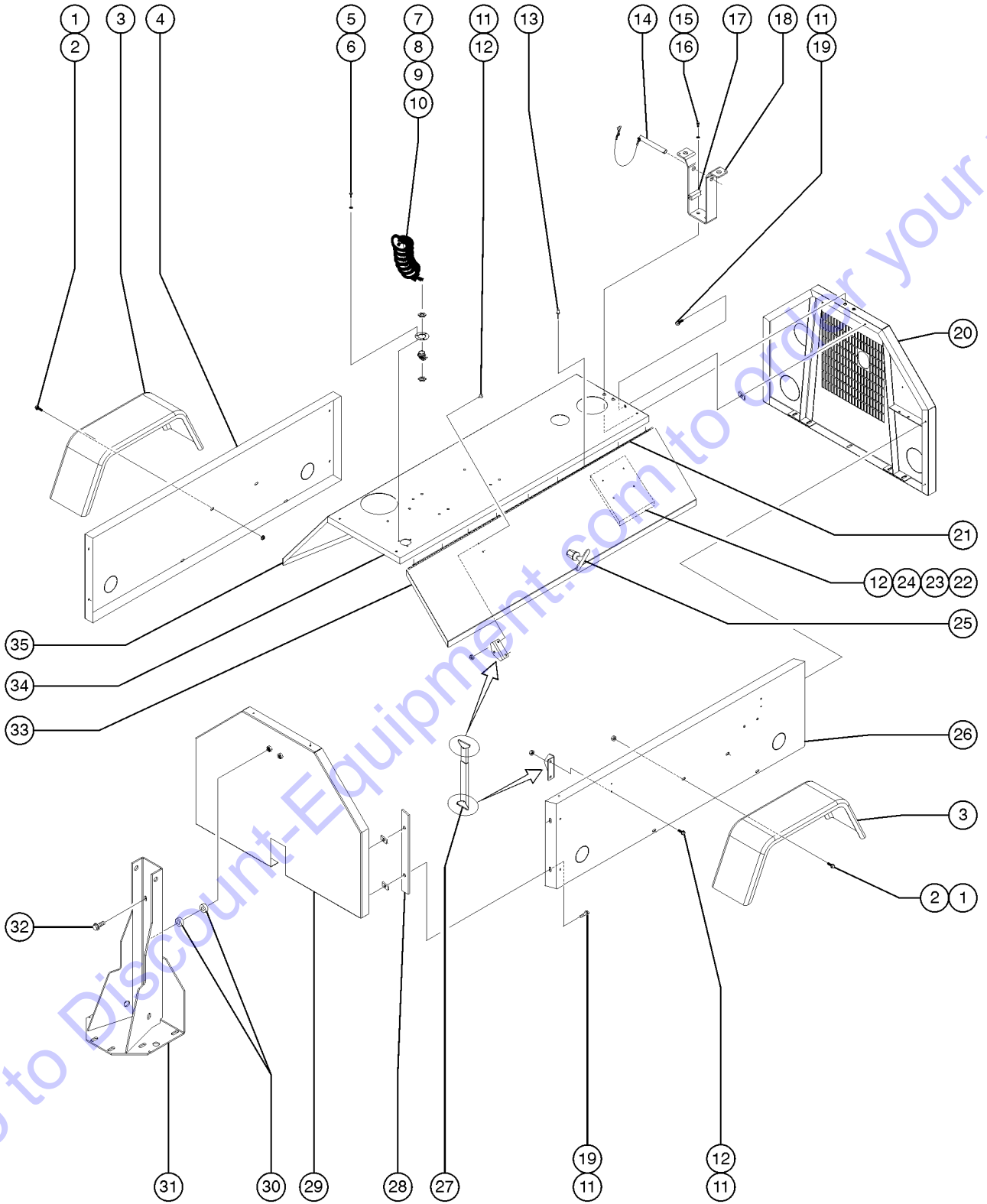


Go to Discount-Equipment.com to order your parts

206.1 Ballast Box Assembly

Item	Part No.	Description	Qty.
1A	114355GT	BALLAST ASSY,60HZ,MH,1KW,120V.....1 <i>60 Hz Ballast Assembly without decals (refer to Section 1)</i>	1
1B	115366GT	BALLAST ASSY,50HZ,MH,1000W.....1 <i>50 Hz Ballast Assembly without decals (refer to Section 1)</i>	1
2	161184GT	FP-BALLAST BOX REAR.....1	1
3	995490GT	SCREW,HH SLOT,1/4 X 0.75	
4	161181GT	FP-BALLAST BOX TOP.....1	1
5A	160030GT	BALLAST/CAP MH60Hz120.....1 <i>60 Hz; includes item 6</i>	1
5B	160490GT	BALLAST MH 50HZ 120V/.....1 <i>50 Hz; includes item 6</i>	1
6A	160032GT	CAPACITOR 24uF MH 60H.....1 <i>60 Hz</i>	1
6B	160033GT	CAPACITOR,50HZ MH,26MF(BALLAST.....1 <i>50 Hz</i>	1
7	663860GT	CONNECTOR 5P MALE RECEPTACLE.....1	1
8	161185GT	FP-BALLAST BOX FRONT.....1	1
9	161180GT	FP-BALLAST BOX BOTTOM.....1	1
10	189346GT	SPACER,BALLAST,STACKED.....2	2

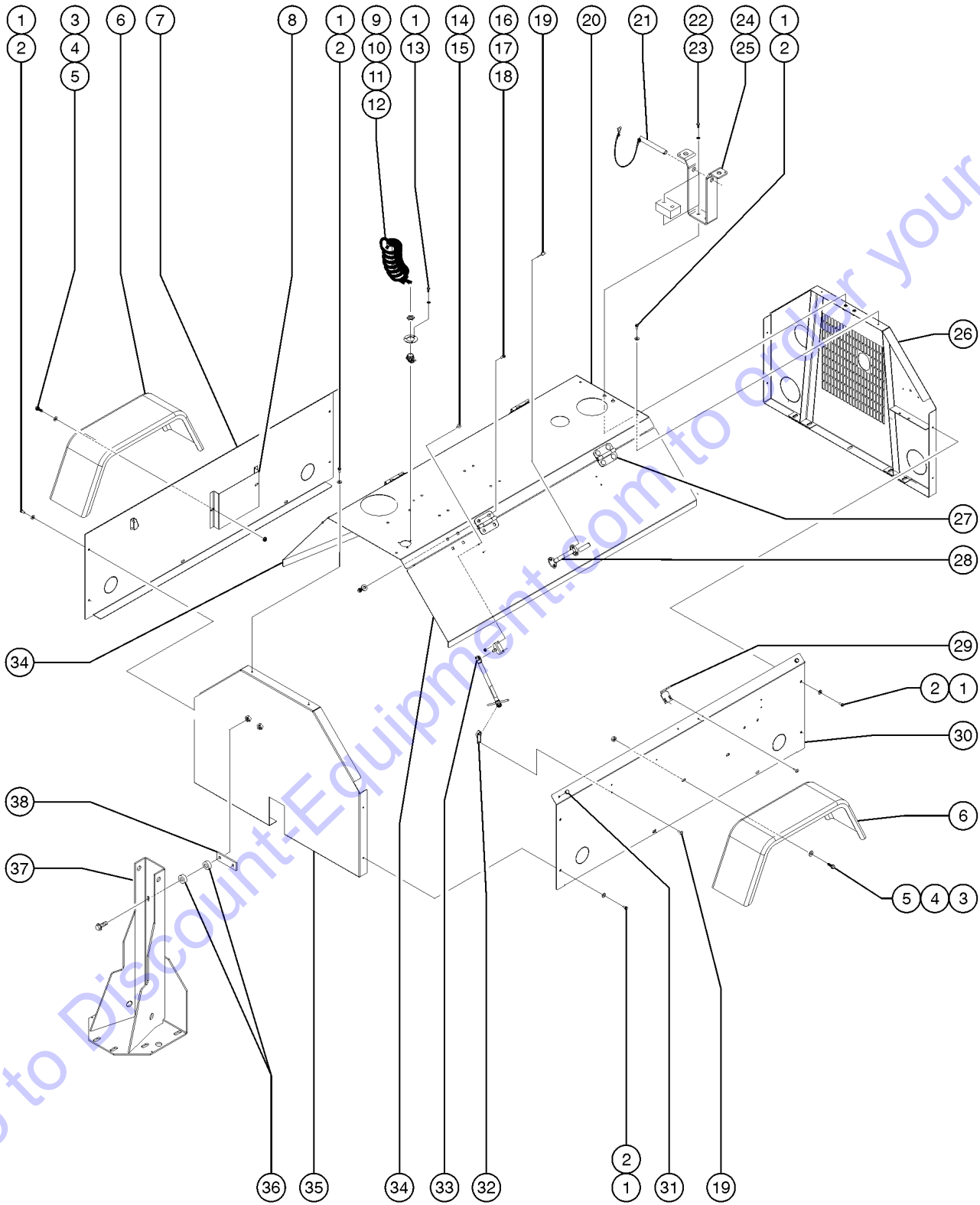
207.1 Cabinet (to serial number RL410-999 and to TML10-249)



207.1 Cabinet (to serial number RL410-999 and to TML10-249)

Item	Part No.	Description	Qty.	Item	Part No.	Description	Qty.
1	C51601450GT	SCREW FLANGE 5/16 -18X1		32	C51601520GT	SCREW ,10X1.5X35MM GR8.8	
2	C51601451GT	NUT,FLANGE,5/16-18 Z		33	CR54B050GT	DOOR RDSIDE RL4-B4 SN R410-100....1	
3	C83400100GT	FENDER,STEEL,RL4.....2		34	CR59C010GT	PANEL TOP-AL HINGERL.....1	
4	CR56C040GT	CABINET UNDERDOORPANE.....1		35	CR54B040GT	DOOR CURBSIDERL4-B NE.....1	
5	995810GT	SCREW 1/4-20NCX5/8 HW					
6	75144GT	WASHER,FLAT,SAE 1/4,ZINC					
7		Ref., COIL CORD.....1 <i>refer to 405.1</i>					
8	680250GT	LOCKNUT, CONDUIT 3/4CSA APPVD...1					
9	CR58C012GT	COIL CORD BULKHEADPLA.....1					
10	682740GT	NIPPLE CHASE 3/4CSA APPVD.....1					
--	682750GT	NIPPLE CHASE 1/2CSA APPVD.....1					
11	C51601442GT	SCREW FLANGE 1/4 -20X					
12	C51601441GT	NUT,FLANGE,1/4-20					
13	990670GT	RIVET,POP,SS,3/16"X1/2" BLIND					
14	C61300501GT	PIN,0.75 X 7' ZINC.....1					
--	C61300502GT	CLIP,HITCH PIN					
15	C54200400GT	SCREW ALLENHEX 1/2 -13X 1.5					
16	991650GT	WASHER LOCK 1/2ZP					
17	CU63A040GT	SUPPORT, PLASTIC, 1 X 2.5 X 3.5".....2					
18	CR63A040GT	AS-WELDMENT, CRADLE.....1					
19	C51600800GT	NUT CLIP 1/4 -20X3/4.....1					
20A	116913GT	WELDMENT, PANEL, REAR, RL4.....1 <i>(to SN RL4011-4235 and TML4011-408)</i>					
--	663520GT	LIGHT,LICENSE TAG W/BRACKET.....1 <i>(not shown)</i>					
21	796610GT	HINGE,PIANO,1.5"W X 51.75"L.....1					
22A	44743GT	MANUAL BOX W/DECALS***.....1 <i>USA/Canada/Australia</i>					
22B	24514GT	BOX,INSTRUCTION STORAGE <i>Europe/Asia/South America (decal required; refer to Section100)</i>					
23	C54201200GT	SCREW CARRIAGE 1/4 -20X 3/4 Z					
24	993850GT	WASHER FLAT 1/45/8 SBIN					
25	C51100300GT	HANDLE,T-TYPE,BLACK W/KEY.....2 <i>cam required; order separately</i>					
--	C42200203GT	KEYS FOR CH751 LOCK PAIR.....2					
--	C51100200GT	CAM,DOOR HANDLE,RL4000.....2					
26	CR56C050GT	CABINET UNDERDOORPANE***.....1					
27	C51500200GT	PROP,DOOR,TELESCOPIC,10".....2					
28	930950GT	WTHRSRIP, 1/4" X 1/2"W <i>(sold by the foot)</i>					
29	CR58C011GT	CABINET FRONT PANELRL.....1					
30	C51400301GT	CUSHION,TWR SP,1.25"X0.75"RL4.....2					
31		Ref. TOWER BASE <i>(refer to 201.1)</i>					

207.2 Cabinet (from serial number RL410-1000 and from TML10-250)

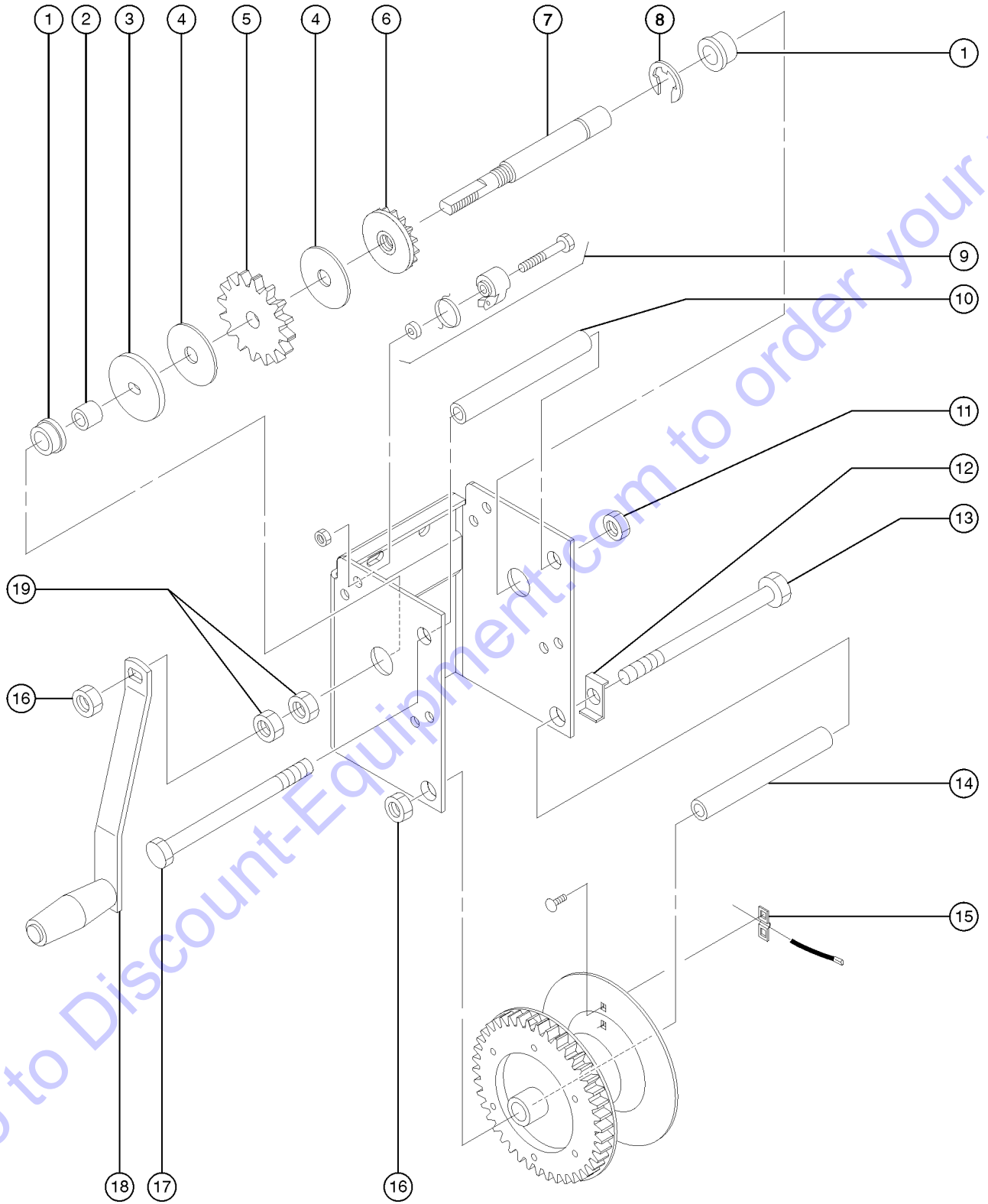


Go to Discount-Equipment.com to order your parts

207.2 Cabinet (from serial number RL410-1000 and from TML10-250)

Item	Part No.	Description	Qty.	Item	Part No.	Description	Qty.
1	995810GT	SCREW 1/4-20NCX5/8 HW		36	C51400301GT	CUSHION,TWR SP,1.25"X0.75"RL4.....2	
2	993850GT	WASHER FLAT 1/45/8 SBIN		37		Ref. TOWER BASE (refer to 201.1)	
3	C51601450GT	SCREW FLANGE 5/16 -18X1		38	116923GT	SPACER, TOWER, RL4.....1	
4	992330GT	WASHER FLAT 5/16YZP					
5	C51601451GT	NUT,FLANGE,5/16-18 Z					
6	C83400100GT	FENDER,STEEL,RL4.....2					
7	116911GT	PANEL, UNDERDOOR, CURBSIDE.....1					
8	116918GT	HOLDER, LITERATURE.....1					
9		Ref., COIL CORD.....1					
10	680250GT	LOCKNUT, CONDUIT 3/4CSA APPVD...1					
11	CR58C012GT	COIL CORD BULKHEADPLA.....1					
12	682740GT	NIPPLE CHASE 3/4CSA APPVD.....1					
--	682750GT	NIPPLE CHASE 1/2CSA APPVD.....1					
13	75144GT	WASHER,FLAT,SAE 1/4,ZINC					
14	995050GT	SCREW #10-32NFX3/4 LO					
15	995420GT	NUT LOCK NYLON INSERT,10-32JAM					
16	C21353GT	BOLT,CARRIAGE 3/8-16X.75 Z KEG					
17	981120GT	WASHER FLAT 3/8 ZP SAE BIN					
18	990170GT	NUT LOCK NYLON INSERT 3/8					
19	990670GT	RIVET,POP,SS,3/16"X1/2" BLIND					
20	116909GT	PANEL, TOP, CABINET, RL4.....1					
21	C61300501GT	PIN,0.75 X 7' ZINC.....1					
--	C61300502GT	CLIP,HITCH PIN.....1					
22	C54200400GT	SCREW ALLENHEX 1/2 -13X 1.5					
23	991650GT	WASHER LOCK 1/2ZP					
24	CR63A040GT	AS-WELDMENT, CRADLE.....2					
25	CU63A040GT	SUPPORT, PLASTIC, 1 X 2.5 X 3.5".....1					
26A	116913GT	WELDMENT, PANEL, REAR, RL4 (to SN RL4011-4235 and TML4011-408)					
26B	230736GT	AS-WELDMENT, PANEL, REAR, RL4 (from SN RL4011-4236 and TML4011-409)					
--	663520GT	LIGHT,LICENSE TAG W/BRACKET.....1 (not shown)					
--	C51601530GT	SCREW FLANGE 3/8 X1.5ZP***.....2 Recommend the use of liquid thread locker duering installation					
27	794890GT	HINGE,STAINLESS STEEL,BLACK.....4					
28	790940GT	HANDLE,CHROME,5.75".....2					
29	189796GT	HASP CABINET DOOR5584AL4/5					
30	116912GT	PANEL, UNDERDOOR, ROADSIDE.....1					
31	116927GT	BUMPER, DOOR, RUBBER.....4					
32	796432GT	BRACKET W/BALL,GAS SPRING.....8					
33	796436GT	SPRING,GAS,16",60LBS.....4					
34	116910GT	PANEL, DOOR, RL4.....2					
35	116908GT	PANEL, FRONT, CABINET, RL4.....1					

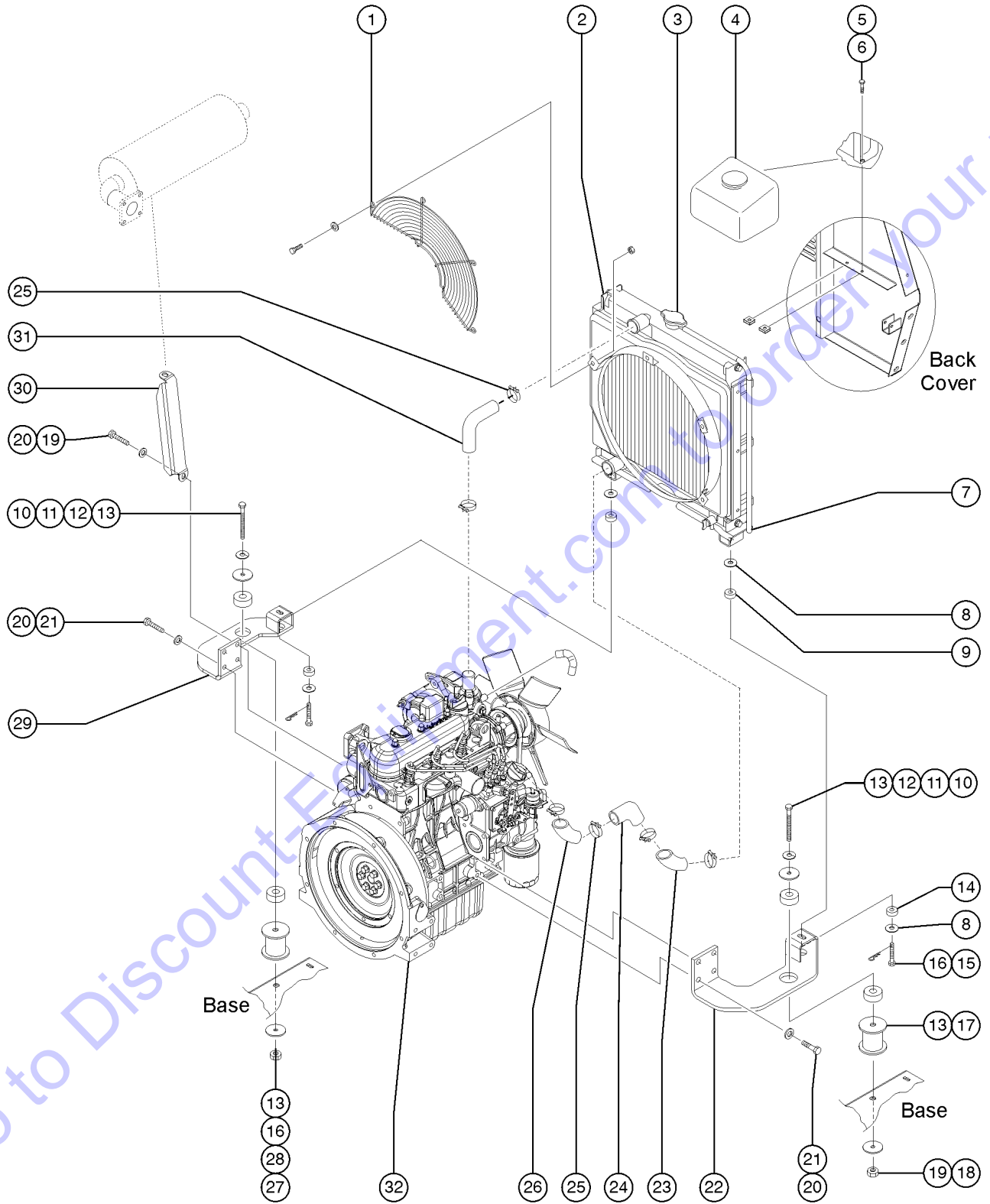
208.1 Winch



Go to Discount-Equipment.com to order your parts

Item	Part No.	Description	Qty.
--		SERVICE KIT,PINION SHAFT-K1550 (1256081) <i>(component no longer available)</i>	
--	1256083GT	SVC KIT, FRICTION DISC K/KX <i>includes qty 2 of item 4</i>	
--	C61100200GT	WINCH,W/HNDL,5.1:1,1500LBS <i>(item 15 not included)</i>	
1		BUSHING, SMALL PINION, FULTON (6199GT).....2 <i>(component no longer available)</i>	
2		SPACER,PINION SHAFT (32890GT).....1 <i>(component no longer available)</i>	
3		WINCH PINION PLATE, K-1550 (7591GT).....1 <i>(component no longer available)</i>	
4		BRAKE DISK,.5 BORE,K-1550 (7571GT).....2 <i>(component no longer available)</i>	
5		RATCHET GEAR,K-1550 1/2" I.D. (6777GT).....1 <i>(component no longer available)</i>	
6		PINION GEAR AND DISC K-1550 (7590GT).....1 <i>(component no longer available)</i>	
7		PINION SHAFT.....1 <i>(not available separately)</i>	
8		RETAINING RING (6200GT).....1	
9	6291GT	RATCHET KIT (K-1500,K-1550)**.....1	
10		FRAME SPACER,K-1550 (7584).....1 <i>(not sold separately)</i>	
11	12012GT	NUT,LOCK,3/8-16	
12		WINCH BRACKET, DRUM BOLT LOCK (31946).....1 <i>(not sold separately)</i>	
13	22832GT	SCREW,HHC,3/8-16 X 6	
14	6184GT	SPACER, DRUM BOLT, K-1550.....1	
15	6190GT	CABLE KEEP.KIT (BRACKET TYPE)*.....1 <i>includes fasteners</i>	
16	6198GT	NUT,NYLOCK,1/2-13.....2	
17	69209GT	SCREW,HHC,3/8-16 X 5.5 GRD 8	
18	16342GT	WINCH HANDLE-O.A.LENGTH-11".....1	
19	6034GT	NUT,HEX,JAM,1/2-13	

301.1 Kubota D1105-E3BG, View 1

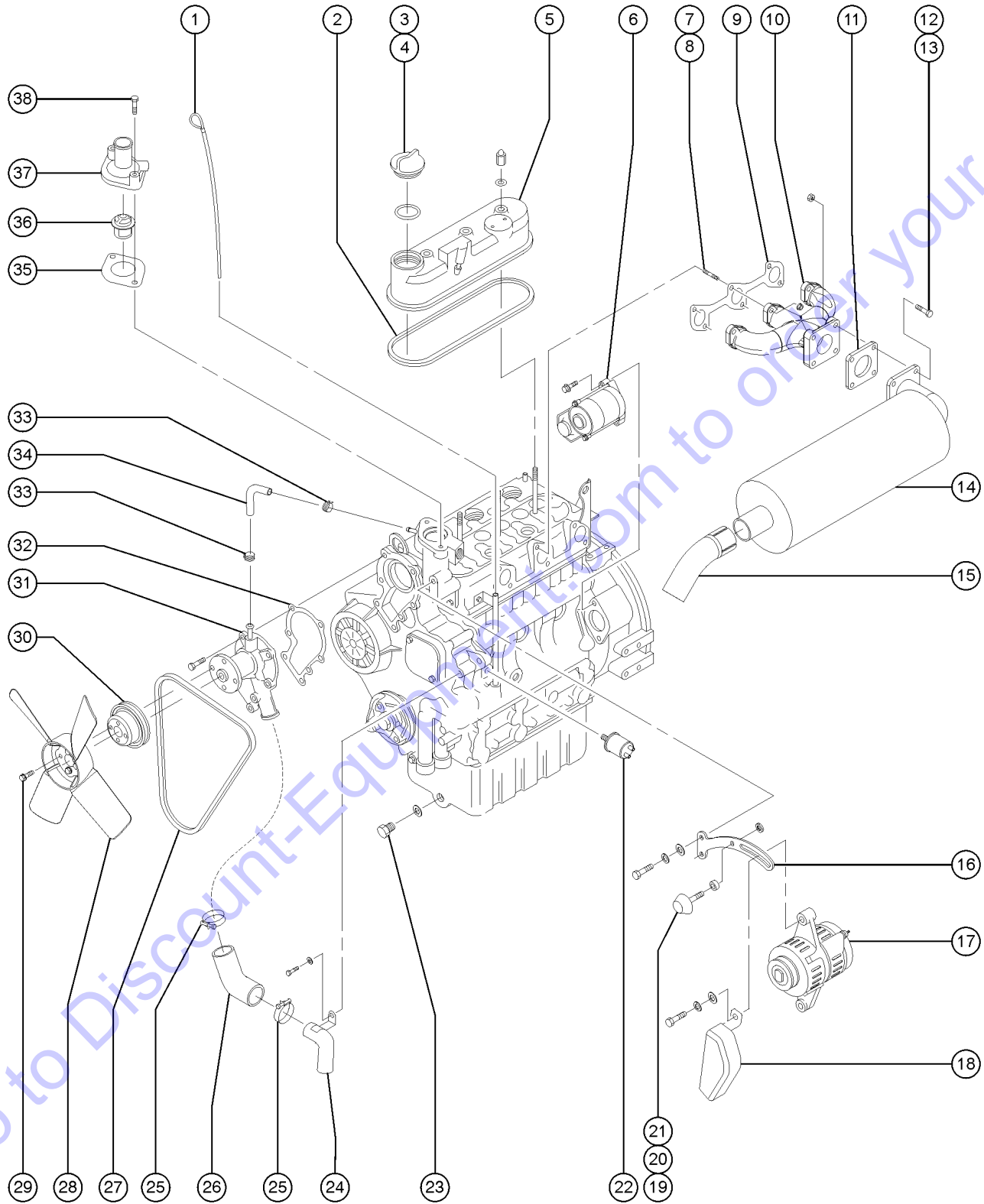


Go to Discount Equipment.com to order your parts

301.1 Kubota D1105-E3BG, View 1

Item	Part No.	Description	Qty.	Item	Part No.	Description	Qty.
1	866113GT	GUARD,FAN,KUBOTA.....	1	26	116523GT	KUBOTA HOSE,D905, D1105.....	1
2	866110GT	RADIATOR, KUBOTA, D905 & D1105.....	1	27	990200GT	NUT,NYLOCK,1/2-13 GR2.....	2
3A	110523GT	CAP,RADIATOR,AL,KUBOTA DF-752..... <i>aluminum radiator</i>	1	28	990210GT	WASHER FLAT 1/2ZP.....	2
3B	866120GT	CAP,RADIATOR,KUBOTA D905 <i>copper radiator</i>		29	22124016GT	ENGINE FOOT/RAD SUPPORT,CURBSD.....	1
4	865307GT	TANK,RECOVERY,COOLANT,KUBOTA..	1	30	116733GT	MUFFLER BRACE.....	1
5	C51601442GT	SCREW FLANGE 1/4 -20X.....	2	31	839109GT	RADIATOR HOSE,KUBOTA.....	1
6	C51600800GT	NUT CLIP 1/4 -20X3/4.....	2	32	732205PPGT	ENGINE,KUBOTA,D1105 PAK.....	1
7	890790GT	HOSE,FUEL,1/4"ID,PUSH LOK,200#..... <i>this part is sold by the foot, this application requires at least 32 inches</i>	3	--	1254824GT	FILTER,FUEL,KUBOTA,W/O BRKT.....	1
8	865263GT	KUBOTA 15111-72200 WASHER.....	4				
9	865260GT	KUBOTA 15263-12370CUSHION.....	2				
10A	995380GT	SCREW,HHC,1/2-13 X 6.5..... <i>Kubota models with 6kW generator</i>	2				
10B	116252GT	SCREW,HHC,1/2-13X7 GR5 YEL <i>Kubota models with 7.5kW and 8kW generators</i>					
11	991650GT	WASHER LOCK 1/2ZP.....	2				
12	990415GT	WASHER,FLAT,SNUB 1/2X2-3/4 ZN.....	2				
13A	80379GT	ISOLATOR, ENGINE MOUNT..... <i>Kubota models with 6kW and 8kW generators</i>	2				
13B	740920GT	ISOLATOR,ENGINE,390LB <i>Kubota models with 7.5kW generator</i>					
14	740770GT	VIBRATION MOUNT,35".....	2				
15	161109GT	BOLT,M10-1.25 x 35,W/HOLE.....	2				
16	865085GT	KUBOTA SNAP PIN.....	2				
17A	22124025GT	ENGINE RISER,2/75"H,FOR 1/2BLT..... <i>2.75 inches, used with 6kW generator</i>	2				
17B	116249GT	AS:ENGINE RISER 3.25 HIGH <i>3.25 inches, used with 7.5kW and 8kW generator</i>					
17C	184315GT	FP-GENSET SPACER <i>1.5 inches, used with 7.5kW generator</i>					
17D	184325GT	FP-GENSET SPACER P <i>1.0 inch, used with 7.5kW generator</i>					
18	995110GT	SCREW,HHC,M10X1.25 X 35MM GR 8.....	2				
19	994830GT	WASHER,LOCK,M10 ZP.....	2				
20	995110GT	SCREW,HHC,M10X1.25 X 35MM GR 8.....	10				
21	994830GT	WASHER,LOCK,M10 ZP.....	10				
22	22124015GT	ENG FOOT/RAD SUPPORT, ROADSIDE.....	1				
23	839110GT	HOSE,RADIATOR,LOWER,KUBOTA.....	1				
24	866394GT	KUBOTA WATER PIPE.....	1				
25	32185GT	CLAMP,HOSE.....	6				

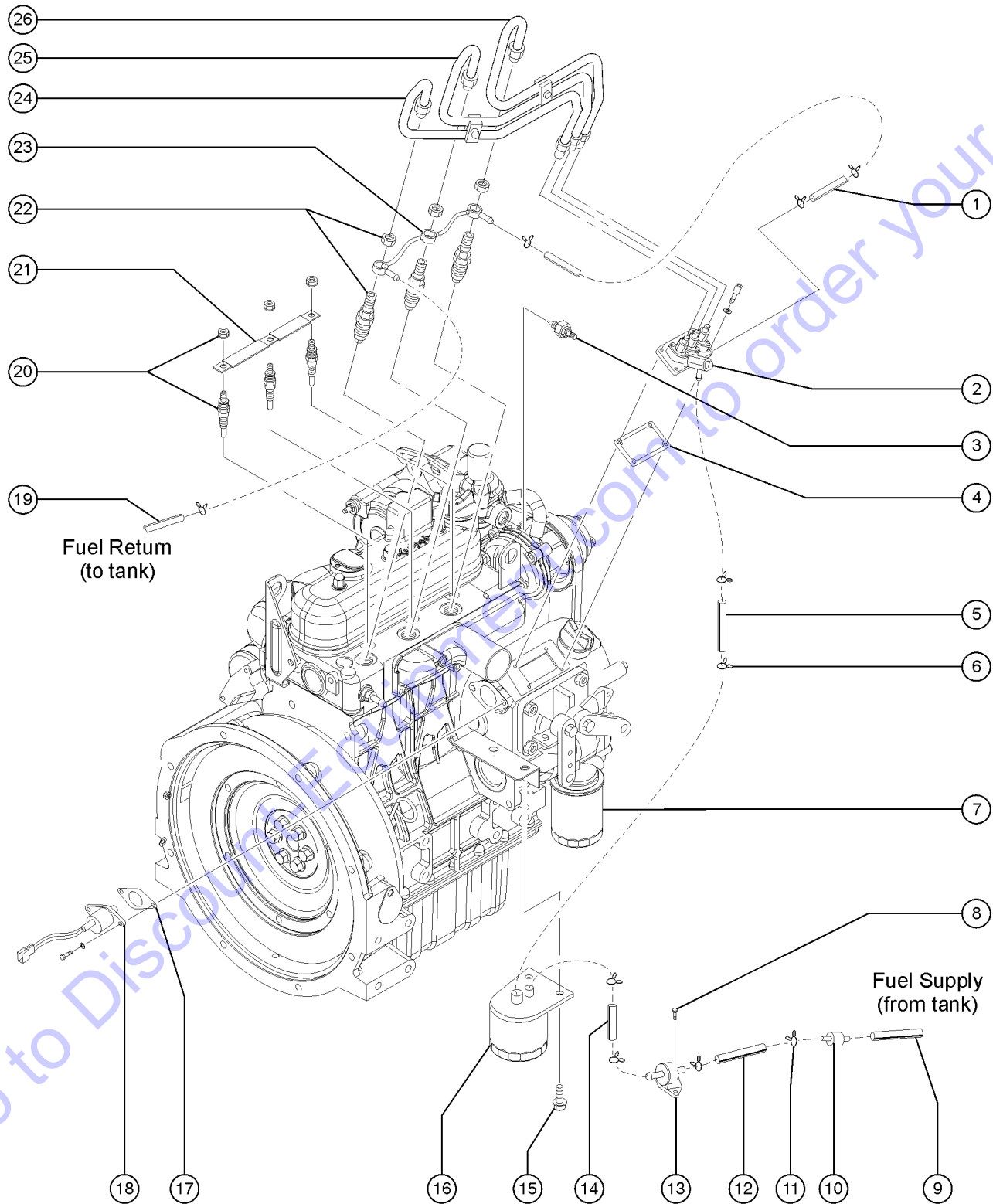
302.1 Kubota D1105-E3BG, View 2



Go to Discount-Equipment.com to order your parts

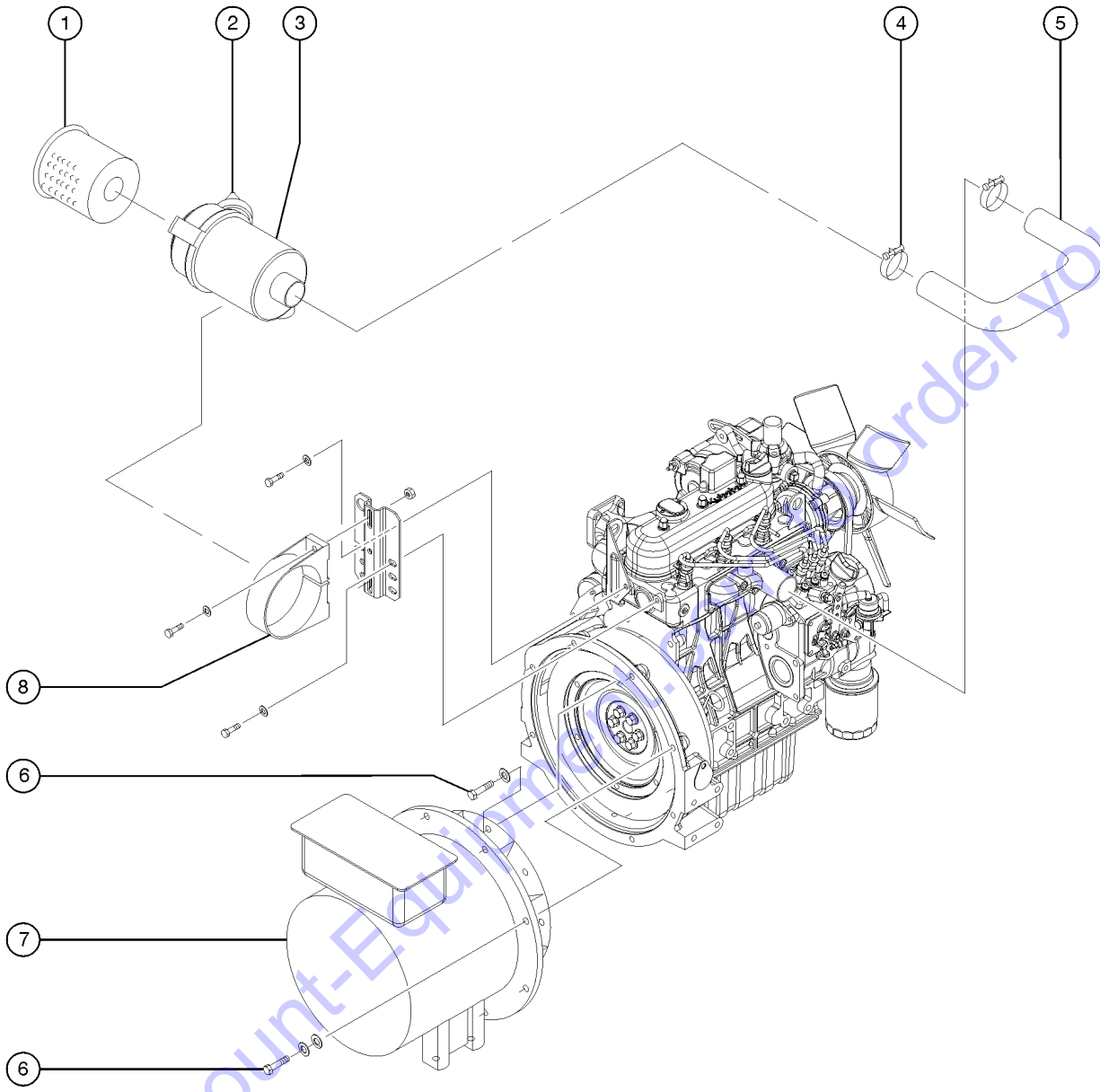
Item	Part No.	Description	Qty.	Item	Part No.	Description	Qty.
1	839154GT	DIPSTICK,OIL,KUBOTA		35	865435GT	KUBOTA 16221-73270GASKET	
2	839244GT	KUBOTA HEAD COVER GASKET		36	139278GT	THERMOSTAT	
3	839151GT	KUBOTA OIL FILLER PLUG,V1305		37	139279GT	THERMOSTAT COVER	
4	839034GT	KUBOTA O-RING		38	62296GT	SCREW,M8 X 35MM	
5	44191GT	VALVE COVER, D905					
6	866101GT	STARTER,KUBOTA,D1105/905					
7	101208GT	STUD,EXHAUST MANIFOLD					
8	101209GT	NUT,EXHAUST MANIFOLD					
9	32191GT	GASKET,EXHAUST MANIFOLD,D905					
10	839246GT	KUBOTA EXHAUST MANIFOLD					
11	832128GT	GASKET,MUFFLER,KUBOTA D905/11					
12	839103GT	KUBOTA 01123-50820 BOLT					
13	865055GT	KUBOTA NUT					
14A	865276GT	MUFFLER,KUBOTA					
--	866825GT	KUBOTA 66711-54520COV (muffler cover)					
15	866800GT	TAIL PIPE, KUBOTA					
16	116833GT	KUBOTA DYNAMO STAY					
17	866090GT	ALTERNATOR,KUBOTA*					
18	866081GT	KUBOTA BELT COVER					
19	30973GT	BUMPER,RUBBER-1 X 1.25					
20	116503GT	BUSHING, 630DX.328ID .375T					
21	6782GT	NUT,NYLOCK,5/16-18					
22	839190GT	SWITCH,LOW OIL PRESS,KUBOTA					
23A	52532GT	PLUG,ENGINE OIL DRAIN,D-905***1 <i>bottom of oil pan (not shown)</i>					
23A	52533GT	GASKET (52532) OIL DRAIN, D905.....1 <i>for 52532GT</i>					
23B	234842GT	PLUG, ENGINE OIL, D1105.....1 <i>bottom of oil pan (not shown)</i>					
23B	84042GT	GASKET-DRAIN PLUG,ENG OIL PAN....1 <i>for 234842GT</i>					
23C	974800GT	KIT:OIL DRAIN W/VALVE,KUBOTA <i>(includes valve, clamp and hose)</i>					
24	116523GT	KUBOTA HOSE,D905, D1105					
25	32185GT	CLAMP,HOSE					
26	866394GT	KUBOTA WATER PIPE					
27	839209GT	V-BELT,KUBOTA					
28	839134GT	FAN,PUSHER,KUBOTA 15263-12370					
29	839027GT	KUBOTA FLANGE BOLT					
30	52531GT	PULLEY,FAN,KUBOTA, D-905,GS68					
31	101201GT	WATER PUMP ASSY,KUBOTA					
32	32199GT	GASKET,WATER PUMP					
33	32069GT	CLAMP,HOSE,KUBOTA WG750					
34	839011GT	KUBOTA WATER PIPE 16241-73350					

303.1 Kubota D1105-E3BG, View 3



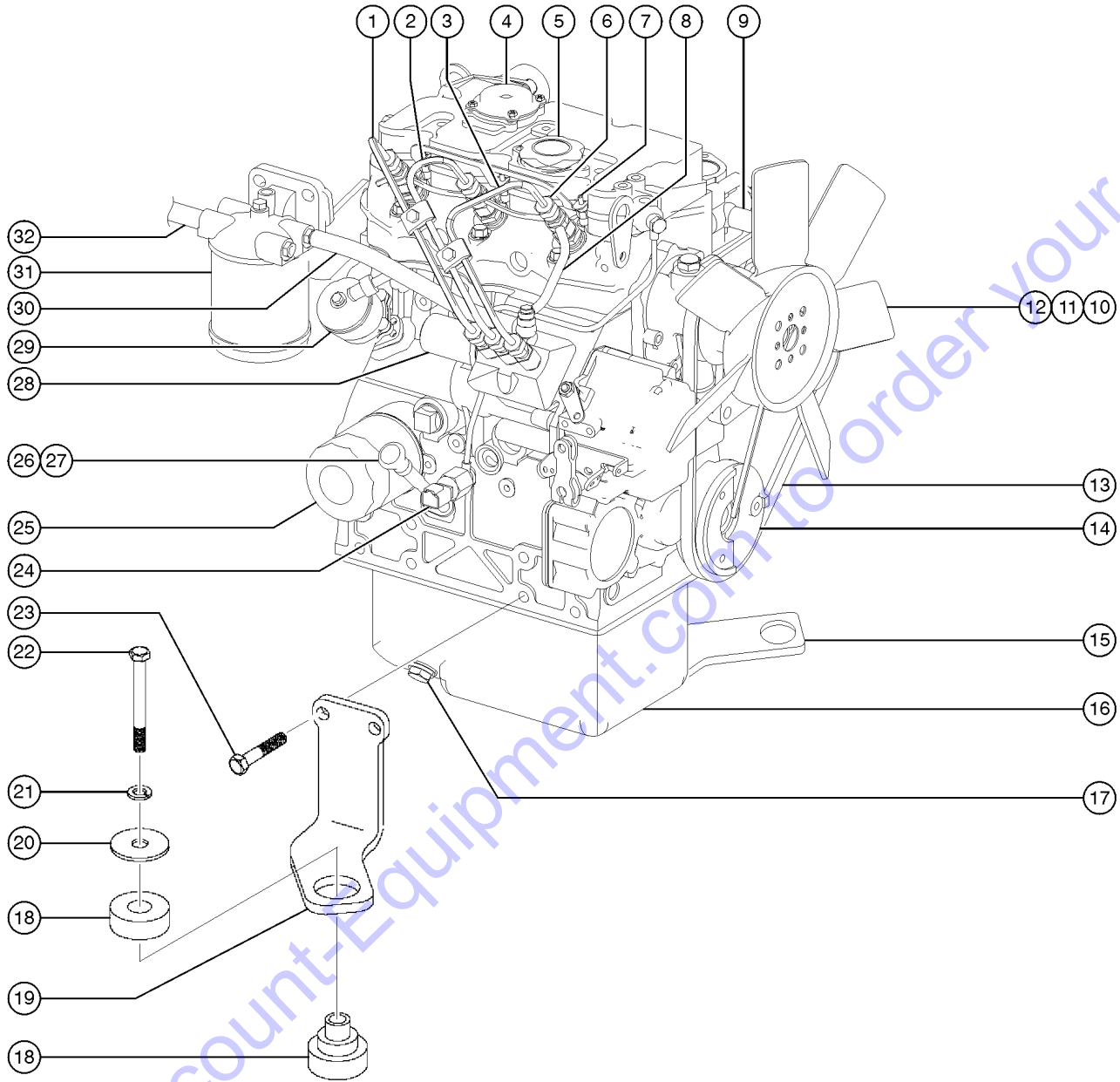
Item	Part No.	Description	Qty.
1	839157GT	KUBOTA OVERFLOW PIPE.....1 <i>(to tank)</i>	1
2	839149GT	KUBOTA INJECTOR PUMP, D1105.....1	1
3	741140GT	ENGINE ACCESSORY TEMP SENDER.....1	1
4	32103GT	GASKET,INJECTION PUMP <i>(quantities vary)</i>	
5	890795GT	HOSE,FUEL,5/16"ID.....1.5-feet	1.5-feet
6	898590GT	HOSE FITTING PIPE/BAR.....3	3
7	866050GT	FILTER,OIL,KUBOTA.....1	1
8		Ref., SCREW <i>refer to 203.1</i>	
9		Ref., FUEL HOSE <i>refer to 203.1</i>	
10		Ref., IN-LINE FILTER <i>refer to 203.1</i>	
11		Ref., HOSE CLAMP <i>refer to 203.1</i>	
12		Ref., FUEL HOSE <i>refer to 203.1</i>	
13		Ref., FUEL PUMP <i>refer to 203.1</i>	
14		Ref., FUEL HOSE <i>refer to 203.1</i>	
15	839103GT	KUBOTA 01123-50820 BOLT.....2	2
16	839107GT	FILTER,FUEL,KUBOTA.....1 <i>filter head and element</i>	1
--	839200GT	ELEMENT,FUEL FILTER,KUBOTA <i>for 839107</i>	
16A	1274237GT	BRACKET, FUEL FILTER.....1 <i>filter mount bracket</i>	1
17	866040GT	GASKET,SOLENOID,KUBOTA.....1 <i>for 866030, 866044</i>	1
18	866030GT	SOLENOID,FUEL,3 WIRE,KUBOTA <i>3-wire solenoid</i>	
18	99199GT	SOLENOID,KUBOTA D9/1105 SHTDWN.....1 <i>2-wire solenoid</i>	1
18A		Ref., SOLENOID WIRE HARNESS <i>refer to 405.1</i>	
19		Ref., FUEL HOSE <i>refer to 203.1</i>	
20	839119GT	KUBOTA GLOW PLUG.....3	3
21	62118GT	JUMPER-GLOW PLUG.....1	1
22	865257GT	KUBOTA KIT, HOLDER,NOZZLE.....3	3
23	865100GT	KUBOTA OVER FLOW PIPE.....1	1
24	44196GT	PIPE,INJECTOR 1,D905,D1105.....1	1
25	44197GT	PIPE,INJECTOR 2,D905,D1105.....1	1
26	44198GT	PIPE,INJECTOR 3,D905,D1105.....1	1

304.1 Kubota D1105-E3BG, View 4



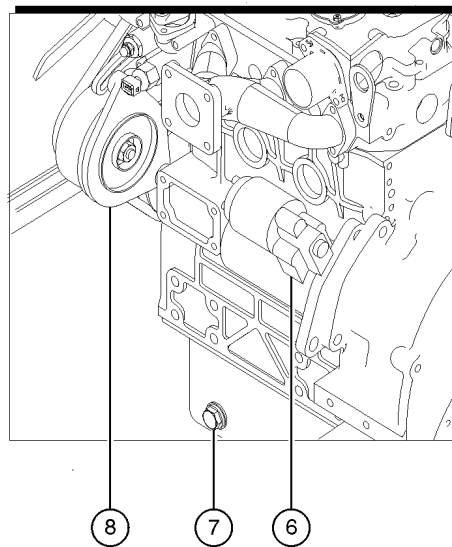
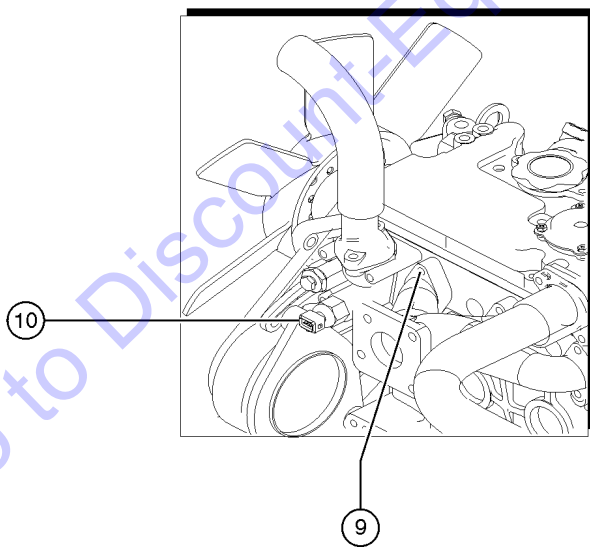
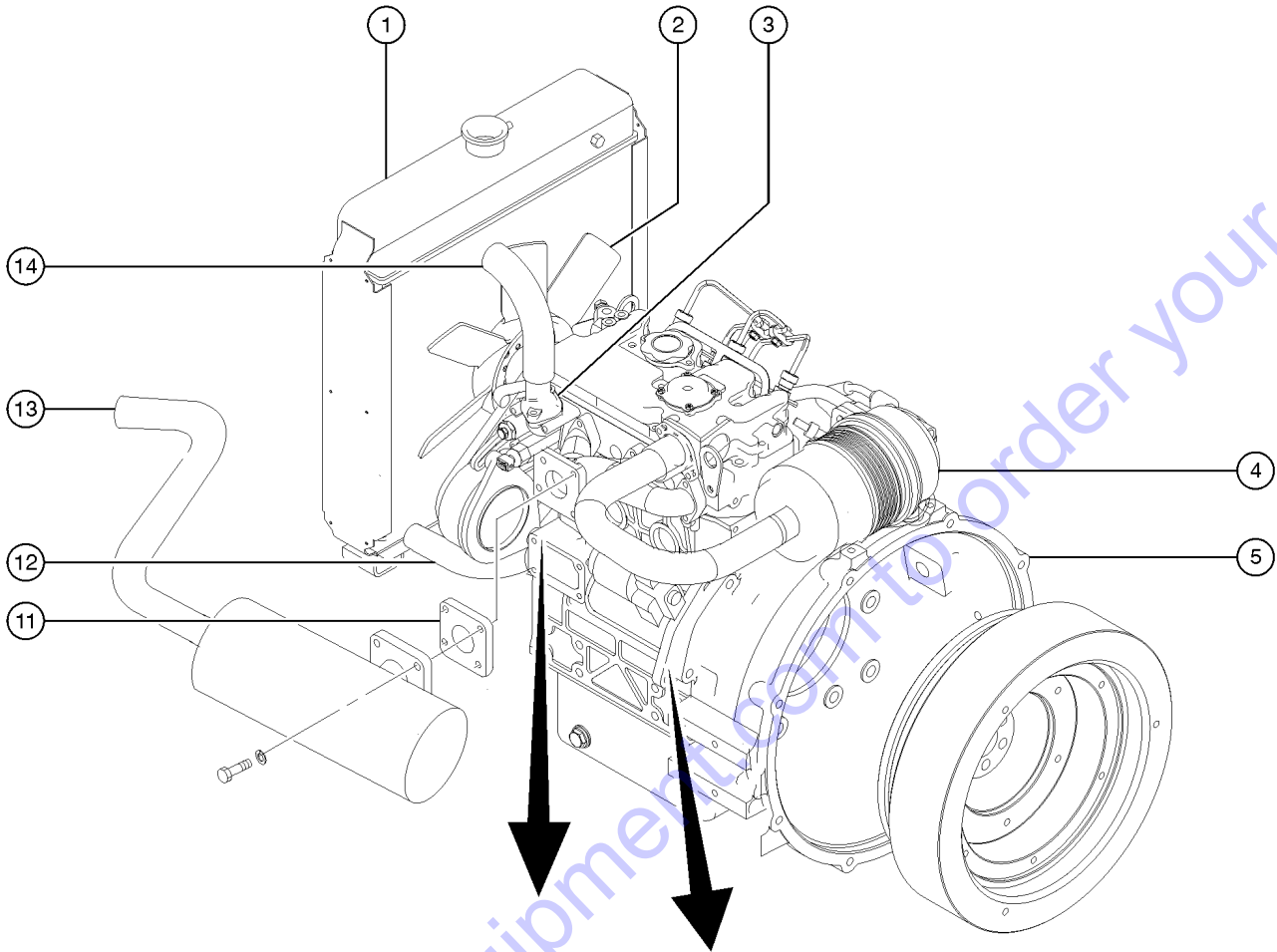
Item	Part No.	Description	Qty.
1	866127GT	ELEMENT,AIR CLEANER,KUBOTA.....1	1
2	866129GT	VALVE,AIR CLEANER,KUBOTA.....1	1
3A	866126GT	BODY,AIR CLEANER,KUBOTA.....1	1
3B	866128GT	COVER,AIR CLEANER,KUBOTA.....1	1
4	839049GT	KUBOTA 15263-12370BAND PIPE.....2	2
5	231332GT	HOSE, INTAKE, KUBOTA D1105.....1	1
6		Ref, GENERATOR FASTENERS <i>refer to 307.1</i>	
7		Ref, GENERATOR <i>refer to 307.1</i>	
8	231333GT	AIR CLEANER BRACKET, D1105.....1	1

305.1 Perkins 403D-11G, View 1



Item	Part No.	Description	Qty.
1	84812GT	PIPE,INJECTOR 1, 403C-11	
2	84813GT	PIPE,INJECTOR 2, 403C-11	
3	84814GT	PIPE,INJECTOR 3, 403C-11	
4	84860GT	VALVE COVER BREATHER	
5	65636GT	CAP, OIL FILLER	
5	65638GT	SEAL, OIL FILLER CAP	
6	139272GT	FUEL INJECTOR	
7	84815GT	GLOW PLUG, 403C-11	
8	237707GT	HOSE,FUEL LEAK-OFF,403D-11G	
9	89764GT	HOSE, WATER PUMP (PERKINS 404)	
10	101341GT	FAN	
11	101319GT	FAN PULLEY	
12	101322GT	PUMP,WATER	
12	89764GT	HOSE, WATER PUMP (PERKINS 404)	
12	97483GT	GASKET,WATER PUMP, 403C-11	
13	85071GT	BELT-FAN, PERKINS (103.10)	
14	97427GT	PULLEY,CRANK, 403C-11	
15	116519GT	FP-ENG MNT RT FOOT CS PERK T4	
16	85140GT	GASKET-OIL PAN,PERKINS 103.10	
17	237774GT	PLUG,OIL DRAIN,PERKINS 403D-11G	
17	85124GT	GASKET,SOLENOID,PERKINS 72350	
18	116729GT	ISOLATOR,ENGINE,70D	
19	116518GT	FP-ENG MNT RT FOOT RS PERK T4	
20	990415GT	WASHER,FLAT,SNUB 1/2X2-3/4 ZN	
21	991650GT	WASHER LOCK 1/2ZP	
22	990270GT	SCREW,HHC,1/2-13 X 3.5 GR8	
23	R981095GT	SCREW,HHC,M12X1.25X30MM,GR8.8	
24	237776GT	SWITCH,OIL PRES,PERK 403D-11G	
25	85069GT	FILTER, OIL-PERKINS (103-10)**	
26	101320GT	DIPSTICK,STRAIGHT SHORT	
27	97461GT	DIPSTICK TUBE,PERKINS(403C-11)	
28	106663GT	SOLENOID,SHUT DOWN PERKIN40422	
29	72348GT	PUMP,LIFT(FUEL) PERKINS(54555)	
29	89761GT	O-RING, LIFT PUMP,(PERKINS 404)	
30	236046GT	HOSE, FUEL FILTER -INJ., 403D	
31	94889GT	FUEL FILTER ASSEMBLY	
--	62421GT	FILTER,FUEL,PERKINS	
32		Ref., FUEL HOSE <i>refer to 203.1</i>	

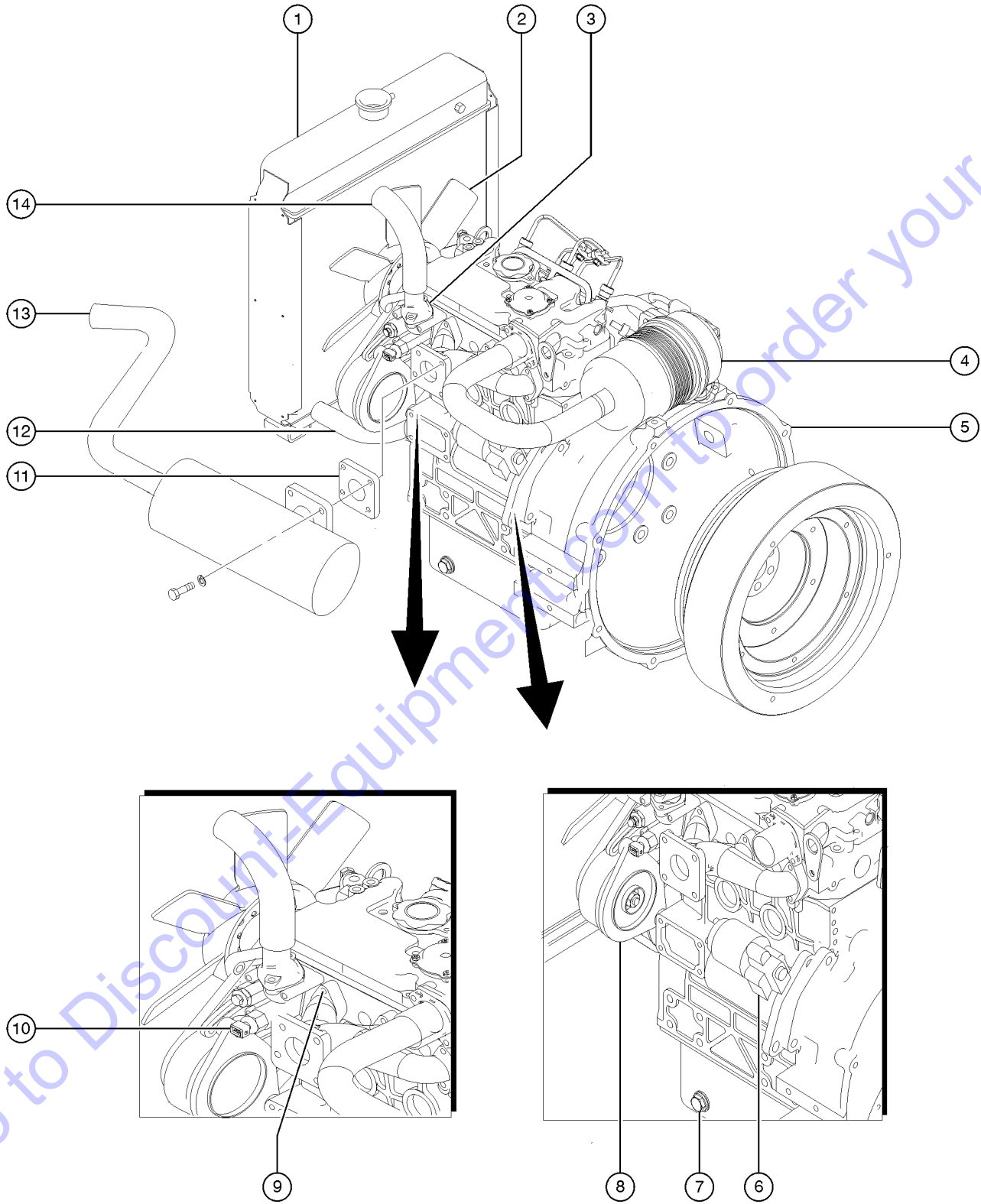
306.1 Perkins 403D-11G, View 2 (to serial number RL4011-4235)



306.1 Perkins 403D-11G, View 2 (to serial number RL4011-4235)

Item	Part No.	Description	Qty.
1	58291GT	RADIATOR,PERKINS,TML.....	1
--	85130GT	CAP-RADIATOR,PERKINS (103.10)	
2		Ref., FAN <i>refer to 305.1</i>	
3	139265GT	WATER OUTLET, VERTICAL.....	1
--	1257665GT	GASKET, THERMOSTAT, PERKINS.....	1
--	237708GT	THERMOSTAT,PERKINS 403D-11G	
4	58427GT	AIR FILTER,ASSEMBLY.....	1
--	237775GT	BKT,FILTER MNT,PERKINS 403D-11G	
--	866068GT	PERKINS 135326205AIR <i>filter element</i>	
5	97426GT	HOUSING,FLYWHEEL,403C-11.....	1
6	228458GT	STARTER, PERKINS, 403D.....	1
7		Ref., OIL DRAIN PLUG <i>refer to 305.1</i>	
8	85089GT	ALTERNATOR,15A,PERKINS 103.10.....	1
--	85127GT	REGULATOR,12V-PERKINS 103.10.....	1
9	85087GT	MANIFOLD-EXHAUST,PERK (103.10).....	1
--	101326GT	STUDS,EXHAUST	
--	101327GT	NUTS,EXHAUST	
--	85143GT	GASKET-EXHAUST MANIFOLD/PERKIN.....	1
10	97473GT	SENSOR,WATER TEMPERATURE.....	1
11	72343GT	GASKET,EXH FLANGE-FORD/PERKINS.....	1
12	58292GT	HOSE,RADIATOR,PERKINS,TML	
--	30348GT	CLAMP,HOSE,1.00	
13A	112291GT	MUFFLER,CATALYTIC,PERKINS 403C.....	1
		<i>from SN RL4011-4237</i>	
13B	1275721GT	MUFFLER, PERKINS, RL-4 <i>to SN RL4011-4236</i>	
14	97428GT	HOSE,RADIATOR,UPPER PRKNS,TML	
--	30348GT	CLAMP,HOSE,1.00	

306.1 Perkins 403D-11G, View 2 (to serial number TML4011-408)

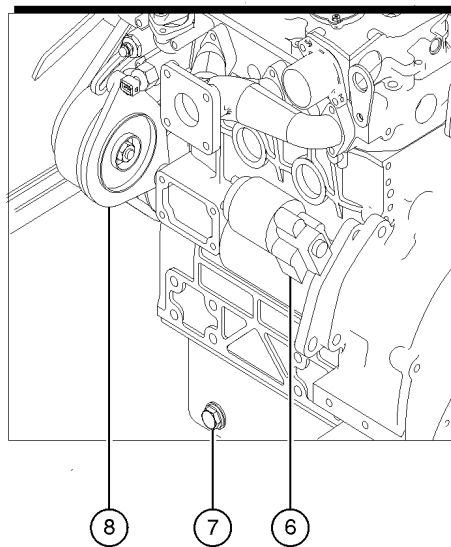
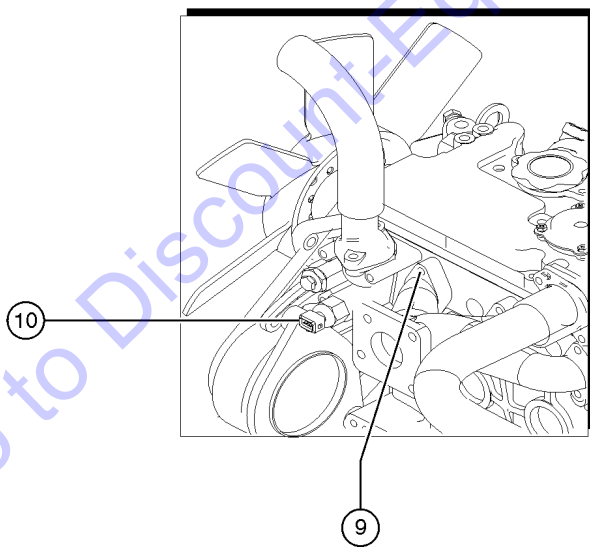
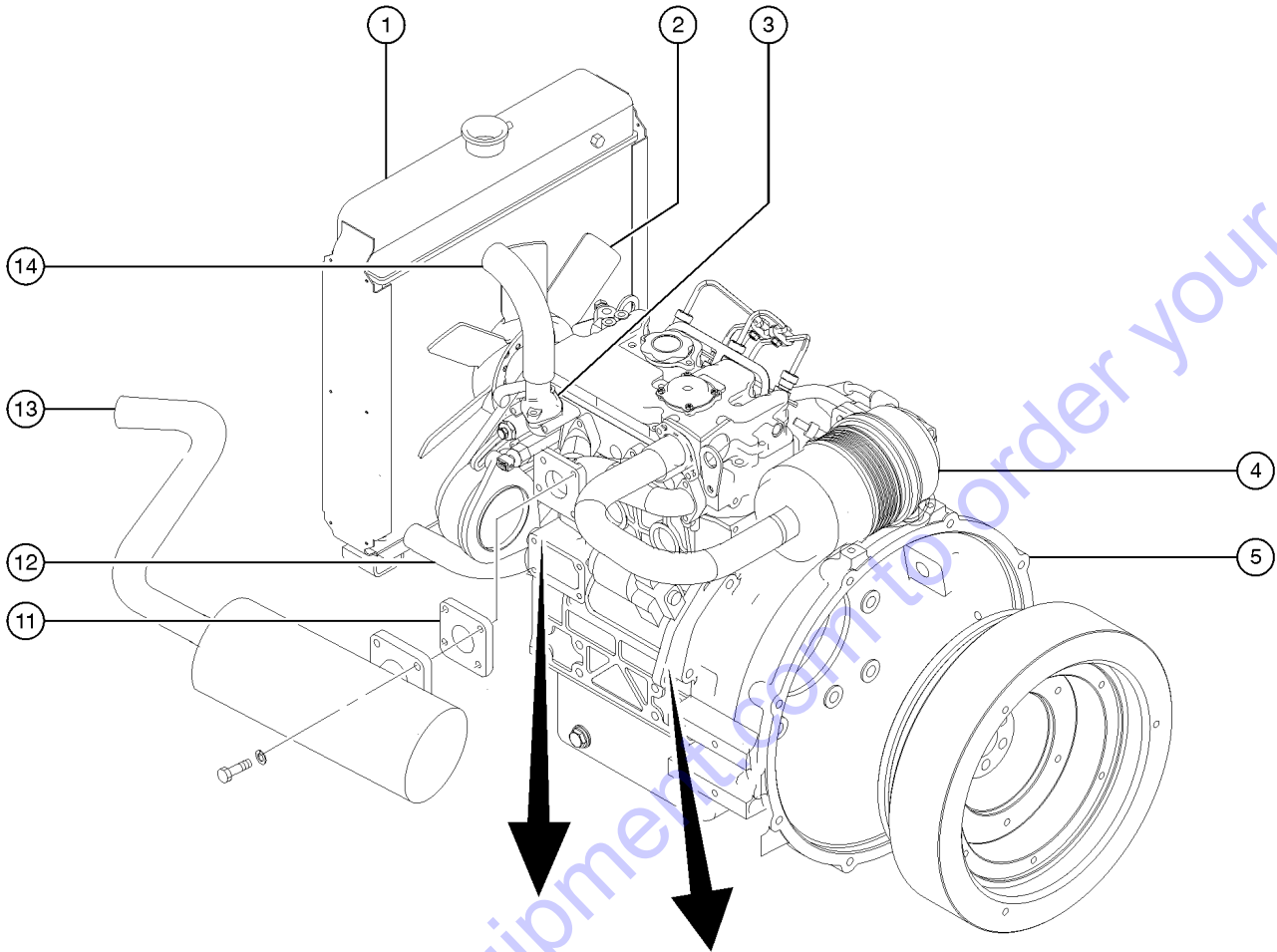


Go to Discount Equipment Center to order your parts

306.1 Perkins 403D-11G, View 2 (to serial number TML4011-408)

Item	Part No.	Description	Qty.
1	58291GT	RADIATOR,PERKINS,TML.....1	1
--	85130GT	CAP-RADIATOR,PERKINS (103.10)	
2		Ref., FAN <i>refer to 305.1</i>	
3	139265GT	WATER OUTLET, VERTICAL.....1	1
--	1257665GT	GASKET, THERMOSTAT, PERKINS.....1	1
--	237708GT	THERMOSTAT,PERKINS 403D-11G	
4	58427GT	AIR FILTER,ASSEMBLY.....1	1
--	237775GT	BKT,FILTER MNT,PERKINS 403D-11G	
--	866068GT	PERKINS 135326205AIR <i>filter element</i>	
5	97426GT	HOUSING,FLYWHEEL,403C-11.....1	1
6	228458GT	STARTER, PERKINS, 403D.....1	1
7		Ref., OIL DRAIN PLUG <i>refer to 305.1</i>	
8	85089GT	ALTERNATOR,15A,PERKINS 103.10.....1	1
--	85127GT	REGULATOR,12V-PERKINS 103.10.....1	1
9	85087GT	MANIFOLD-EXHAUST,PERK (103.10)....1	1
--	101326GT	STUDS,EXHAUST	
--	101327GT	NUTS,EXHAUST	
--	85143GT	GASKET-EXHAUST MANIFOLD/PERKIN.....1	1
10	97473GT	SENSOR,WATER TEMPERATURE.....1	1
11	72343GT	GASKET,EXH FLANGE-FORD/PERKINS.....1	1
12	58292GT	HOSE,RADIATOR,PERKINS,TML	
--	30348GT	CLAMP,HOSE,1.00	
13	112291GT	MUFFLER,CATALYTIC,PERKINS 403C.....1 <i>to serial number TML4011-408</i>	1
14	97428GT	HOSE,RADIATOR,UPPER PRKNS,TML	
--	30348GT	CLAMP,HOSE,1.00	

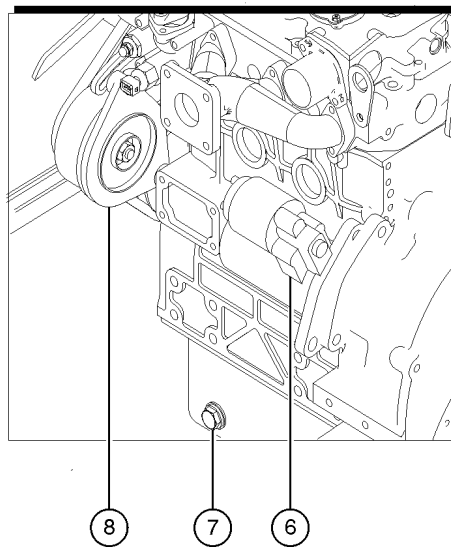
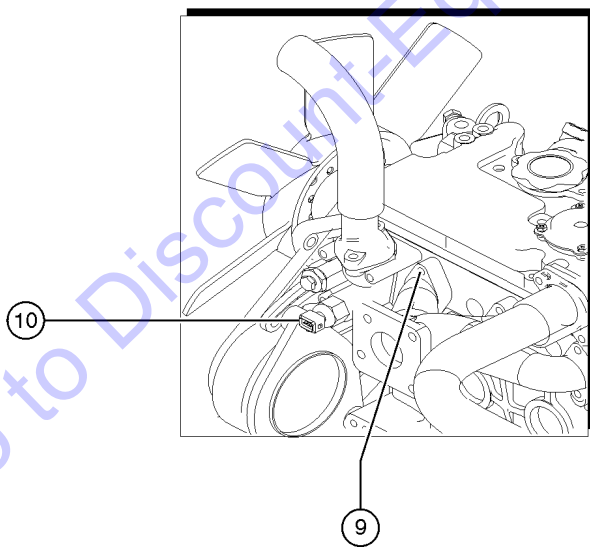
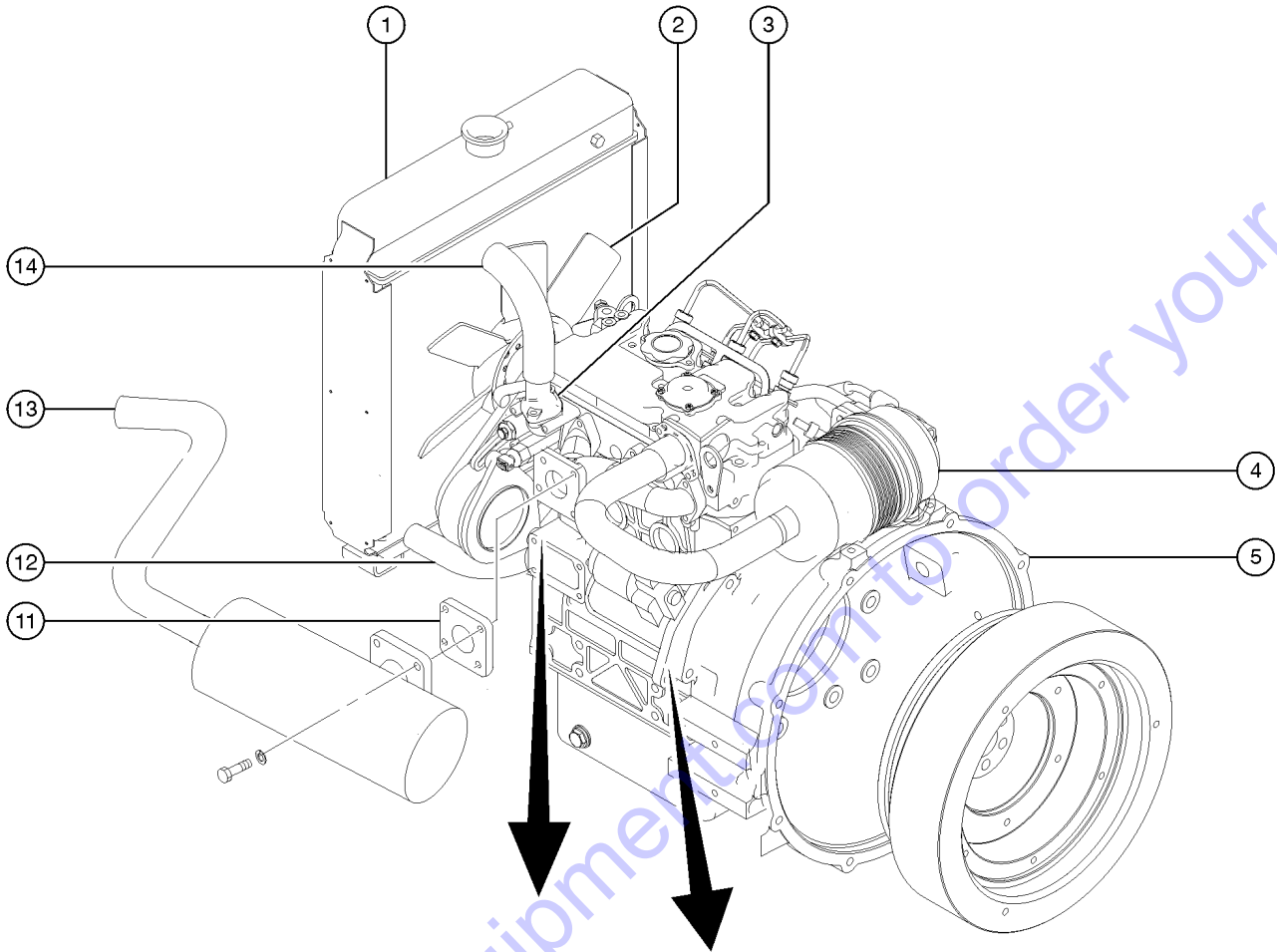
306.2 Perkins 403D-11G, View 2 (from serial number RL4011-4236)



306.2 Perkins 403D-11G, View 2 (from serial number RL4011-4236)

Item	Part No.	Description	Qty.
1	58291GT	RADIATOR,PERKINS,TML.....	1
--	85130GT	CAP-RADIATOR,PERKINS (103.10)	
2		Ref., FAN <i>refer to 305.1</i>	
3	139265GT	WATER OUTLET, VERTICAL.....	1
--	1257665GT	GASKET, THERMOSTAT, PERKINS.....	1
--	237708GT	THERMOSTAT,PERKINS 403D-11G	
4	58427GT	AIR FILTER,ASSEMBLY.....	1
--	237775GT	BKT,FILTER MNT,PERKINS 403D-11G	
--	866068GT	PERKINS 135326205AIR <i>filter element</i>	
5	97426GT	HOUSING,FLYWHEEL,403C-11.....	1
6	228458GT	STARTER, PERKINS, 403D.....	1
7		Ref., OIL DRAIN PLUG <i>refer to 305.1</i>	
8	85089GT	ALTERNATOR,15A,PERKINS 103.10.....	1
--	85127GT	REGULATOR,12V-PERKINS 103.10.....	1
9	85087GT	MANIFOLD-EXHAUST,PERK (103.10)....	1
--	101326GT	STUDS,EXHAUST	
--	101327GT	NUTS,EXHAUST	
--	85143GT	GASKET-EXHAUST MANIFOLD/PERKIN.....	1
10	97473GT	SENSOR,WATER TEMPERATURE.....	1
11	72343GT	GASKET,EXH FLANGE-FORD/PERKINS.....	1
12	58292GT	HOSE,RADIATOR,PERKINS,TML	
--	30348GT	CLAMP,HOSE,1.00	
13	1275721GT	MUFFLER, PERKINS, RL-4..... <i>from serial number RL4011-4236</i>	1
14	97428GT	HOSE,RADIATOR,UPPER PRKNS,TML	
--	30348GT	CLAMP,HOSE,1.00	

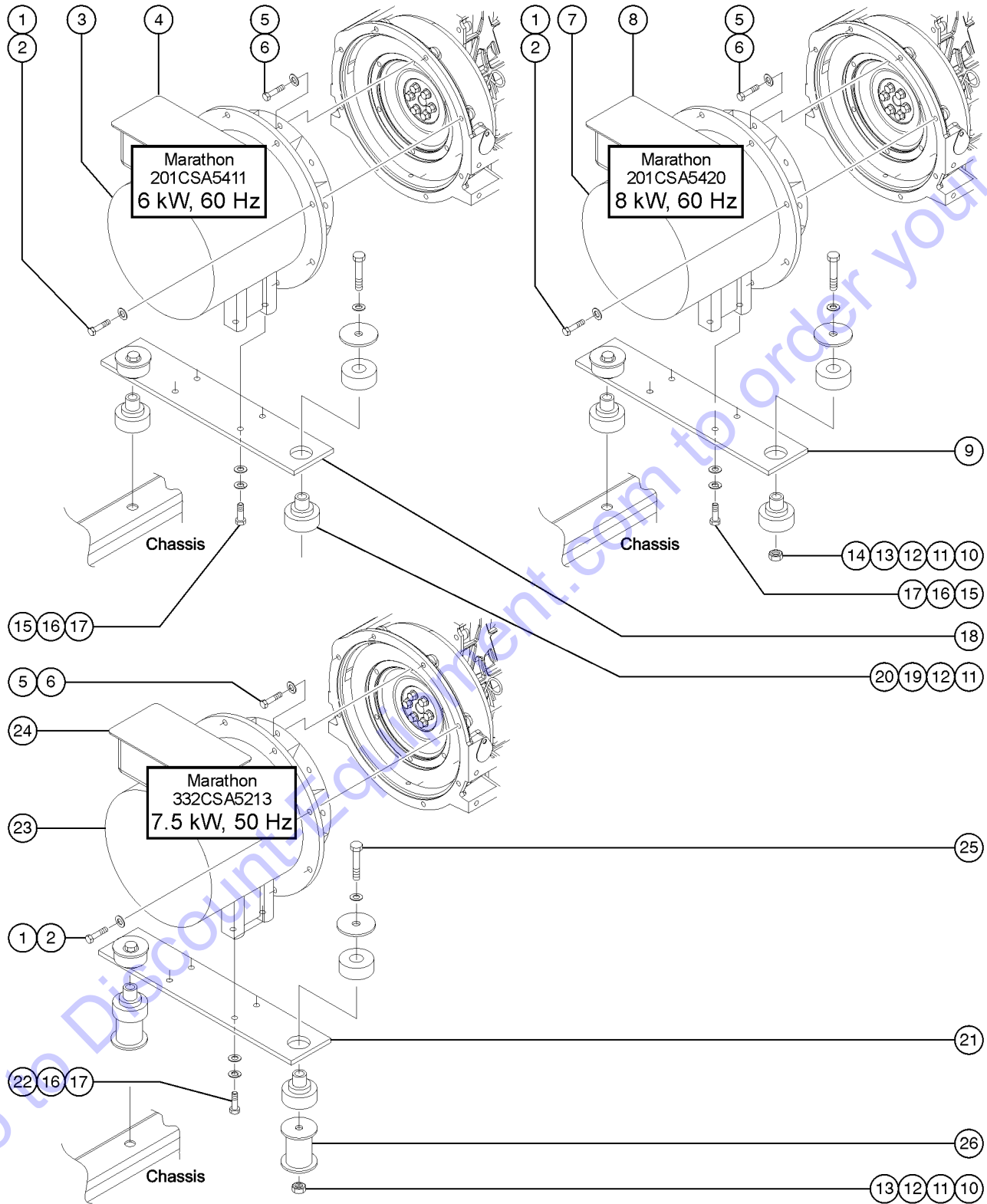
306.2 Perkins 403D-11G, View 2 (from serial number TML4011-409)



306.2 Perkins 403D-11G, View 2 (from serial number TML4011-409)

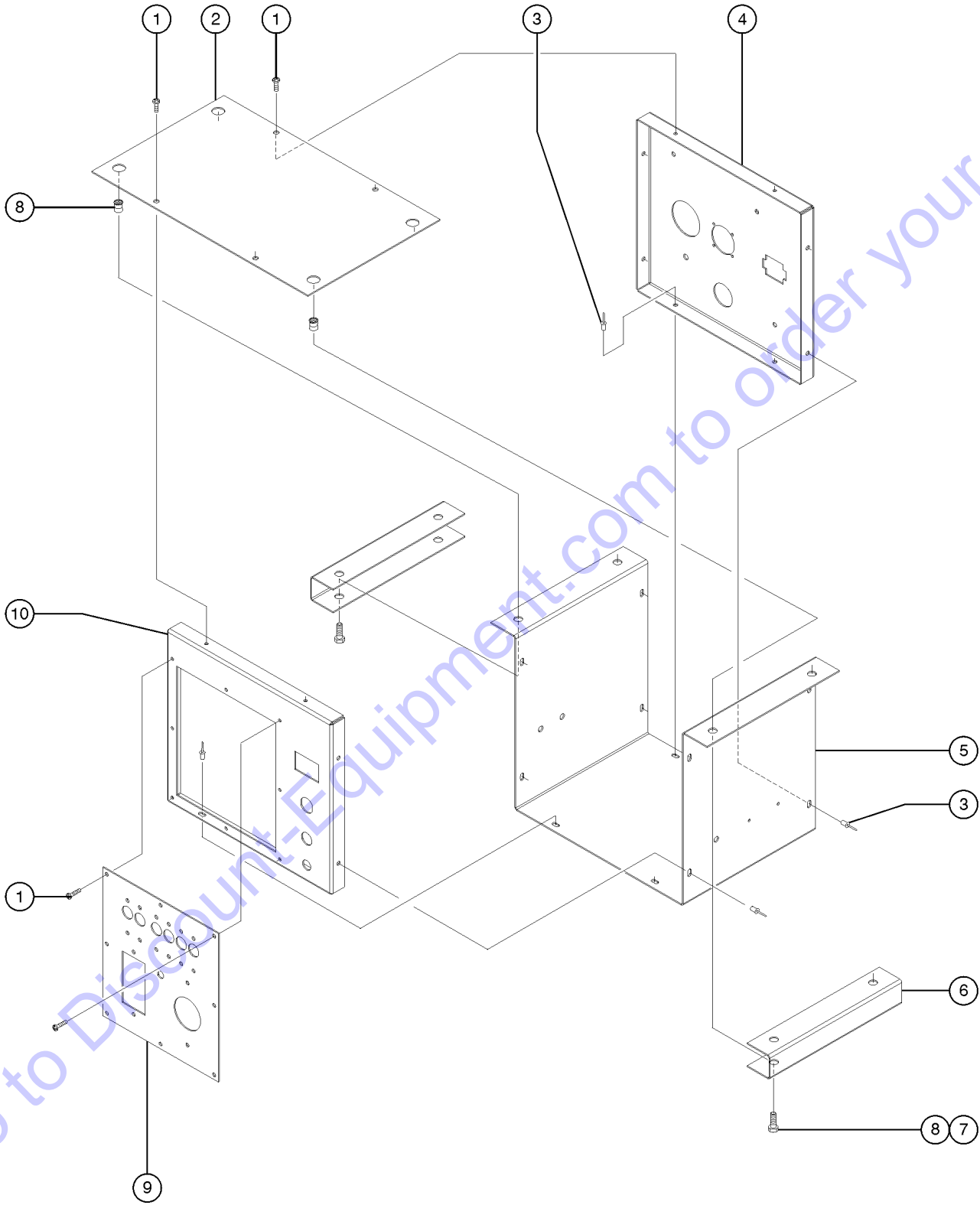
Item	Part No.	Description	Qty.
1	58291GT	RADIATOR,PERKINS,TML.....	1
--	85130GT	CAP-RADIATOR,PERKINS (103.10)	
2		Ref., FAN <i>refer to 305.1</i>	
3	139265GT	WATER OUTLET, VERTICAL.....	1
--	1257665GT	GASKET, THERMOSTAT, PERKINS.....	1
--	237708GT	THERMOSTAT,PERKINS 403D-11G	
4	58427GT	AIR FILTER,ASSEMBLY.....	1
--	237775GT	BKT,FILTER MNT,PERKINS 403D-11G	
--	866068GT	PERKINS 135326205AIR <i>filter element</i>	
5	97426GT	HOUSING,FLYWHEEL,403C-11.....	1
6	228458GT	STARTER, PERKINS, 403D.....	1
7		Ref., OIL DRAIN PLUG <i>refer to 305.1</i>	
8	85089GT	ALTERNATOR,15A,PERKINS 103.10.....	1
--	85127GT	REGULATOR,12V-PERKINS 103.10.....	1
9	85087GT	MANIFOLD-EXHAUST,PERK (103.10)....	1
--	101326GT	STUDS,EXHAUST	
--	101327GT	NUTS,EXHAUST	
--	85143GT	GASKET-EXHAUST MANIFOLD/PERKIN.....	1
10	97473GT	SENSOR,WATER TEMPERATURE.....	1
11	72343GT	GASKET,EXH FLANGE-FORD/PERKINS.....	1
12	58292GT	HOSE,RADIATOR,PERKINS,TML	
--	30348GT	CLAMP,HOSE,1.00	
13	1275721GT	MUFFLER, PERKINS, RL-4..... <i>from serial number TML4011-409</i>	1
14	97428GT	HOSE,RADIATOR,UPPER PRKNS,TML	
--	30348GT	CLAMP,HOSE,1.00	

307.1 Generators



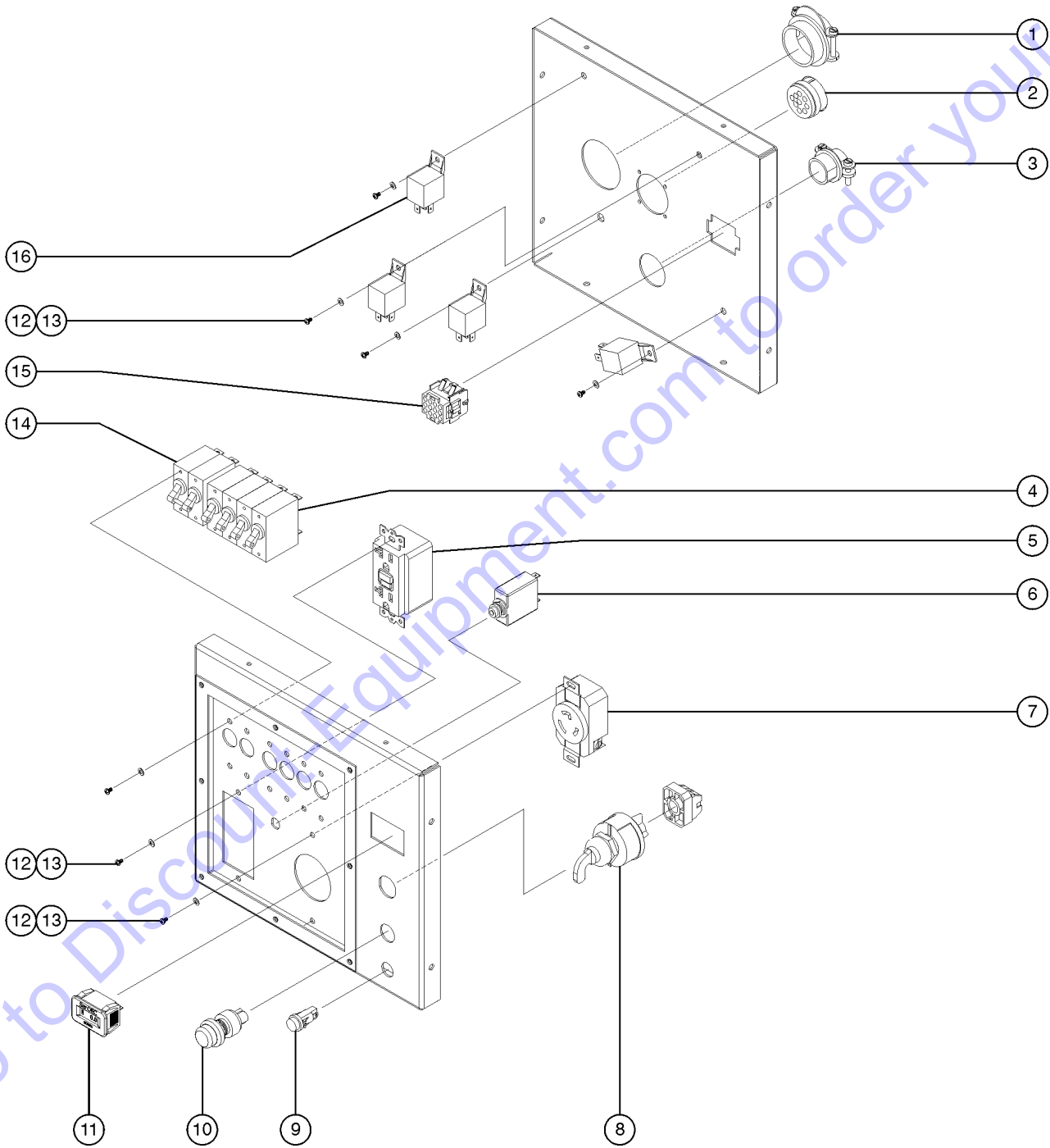
Item	Part No.	Description	Qty.	Item	Part No.	Description	Qty.
--		Ref., WIRE HARNESS <i>refer to 405.1</i>		8	229457GT	CAPACITOR, 8KW GENERATOR,5420 <i>(for 201CSA5420) (630V)</i>	
1	991761GT	SCREW,HHC,3/8-16 X 1.25.....	8	9	189347GT	BRACKET,GENERATOR MOUNT.....	1
2	990470GT	WASHER LOCK 3/8ZP.....	8	10	6198GT	NUT,NYLOCK,1/2-13.....	2
3	85206GT	GENERATOR,6KVA,240VAC,60HZ..... <i>6 kW, 60 Hz (Marathon 201CSA5411)</i>	1	11	80379GT	ISOLATOR, ENGINE MOUNT.....	2
--	116168GT	BEARING, ODE <i>(opposite engine end)</i>		12	990415GT	WASHER,FLAT,SNUB 1/2X2-3/4 ZN.....	2
--	116172GT	O-RING <i>(opposite engine end)</i>		13	990210GT	WASHER FLAT 1/2ZP.....	2
--	116177GT	DRIVE DISC(C-107) MARATHON <i>(engine end)</i>		14	6-5208-32GT	SCREW,HHC,1/2-13X4,GR8.....	2
--	116178GT	HUB SPACER <i>(engine end)</i>		15A	991761GT	SCREW,HHC,3/8-16 X 1.25..... <i>models with Kubota engine</i>	4
--	1277953GT	TERMINAL BLOCK,MARATHON GENERATOR(85206)		15B	991761GT	SCREW,HHC,3/8-16 X 1.25..... <i>models with Perkins engine</i>	2
--	161151GT	BRACKET, BEARING ODE (5411)		16A	990470GT	WASHER LOCK 3/8ZP..... <i>models with Kubota engine</i>	4
--	836853GT	DIODE,MARATHON <i>(opposite engine end)</i>		16B	990470GT	WASHER LOCK 3/8ZP..... <i>models with Perkins engine</i>	2
--	836856GT	MARATHON SUPPRESSOR/VARISTOR <i>(opposite engine end)</i>		17A	981120GT	WASHER FLAT 3/8 ZP SAE BIN.....	4
4		Ref., WIRE HARNESS <i>refer to 405.1</i>		17B	981120GT	WASHER FLAT 3/8 ZP SAE BIN..... <i>models with Perkins engine</i>	2
4	116184GT	CLAMP,CAPACITOR <i>(for 201CSA5411)</i>		18A	189347GT	BRACKET,GENERATOR MOUNT..... <i>models with Kubota engine (shown)</i>	1
4	116187GT	TERMINAL BLOCK <i>(for 201CSA5411)</i>		18B	116517GT	FP-GEN MOUNT BAR RL PERK T4..... <i>models with Perkins engine</i>	1
4	58356GT	CAPACITOR-ROUND 25MF <i>(for 201CSA5411)</i>		19	991650GT	WASHER LOCK 1/2ZP.....	2
5	123840GT	SCREW,HHC,5/16-18X.75,GR8,Y.....	6	20	990270GT	SCREW,HHC,1/2-13 X 3.5 GR8.....	2
6	990460GT	WASHER LOCK 5/16 ZP BIN.....	6	21	116244GT	FP-GEN MNT BAR,MAR SM HOLES.....	1
7	116253GT	GENERATOR,8KW,240V,60HZ,MAR..... <i>8 kW, 60 Hz (Marathon 201CSA5420)</i>	1	22	981450GT	SCREW,HHC,3/8-16 X 1.5.....	4
--	116168GT	BEARING, ODE <i>(opposite engine end)</i>		23	116254GT	GENERATOR,6.5KW,220V,50HZ,MAR <i>7.5 kW, 50 Hz (Marathon 332CSA5213)</i>	
--	116169GT	BEARING,BRKT,ODE(5412)		--	116177GT	DRIVE DISC(C-107) MARATHON <i>(engine end)</i>	
--	116172GT	O-RING <i>(opposite engine end)</i>		--	836853GT	DIODE,MARATHON <i>(opposite engine end)</i>	
--	116177GT	DRIVE DISC(C-107) MARATHON <i>(engine end)</i>		--	836856GT	MARATHON SUPPRESSOR/VARISTOR <i>(opposite engine end)</i>	
--	116178GT	HUB SPACER <i>(engine end)</i>		--	T111700GT	BEARING, MARATHON GEN <i>(opposite engine end)</i>	
--	836853GT	DIODE,MARATHON <i>(opposite engine end)</i>		24		Ref., WIRE HARNESS <i>refer to 405.1</i>	
--	836856GT	MARATHON SUPPRESSOR/VARISTOR <i>(opposite engine end)</i>		24	116184GT	CLAMP,CAPACITOR <i>(for 332CSA5213)</i>	
8	116184GT	CLAMP,CAPACITOR <i>(for 201CSA5420)</i>		24	85207GT	CAPACITOR,45 MF***OVAL <i>(for 332CSA5213)</i>	
8	116187GT	TERMINAL BLOCK <i>(for 201CSA5420)</i>		25	116252GT	SCREW,HHC,1/2-13X7 GR5 YEL	
				26	184315GT	FP-GENSET SPACER	

401.1 Control Box, 60HZ, View 1



Item	Part No.	Description	Qty.
1	996340GT	SCREW,PHM,10-16 X 3/4 (tek screw)	
2	186543GT	FP-CONTROL BOX, TOP.....	1
3	990670GT	RIVET,POP,SS,3/16"X1/2" BLIND	
4	186542GT	PANEL,REAR,CTRL BOX (186540).....	1
5	186540GT	BASE,CONTROL BOX,AL4 CONS.....	1
6	116121GT	BRKT,E-BOX HANGER,SHORT.....	2
7	C51601444GT	SCREW,FLANGE,1/4-20X1/2" PATCH	
8	993310GT	NUTSERT,1/4-20	
9	T109757GT	PANEL,CNTL BOX FACE,CSA.....	1
10	186544GT	BRACKET,E-BOX,AUTOSTART,AL4.....	1

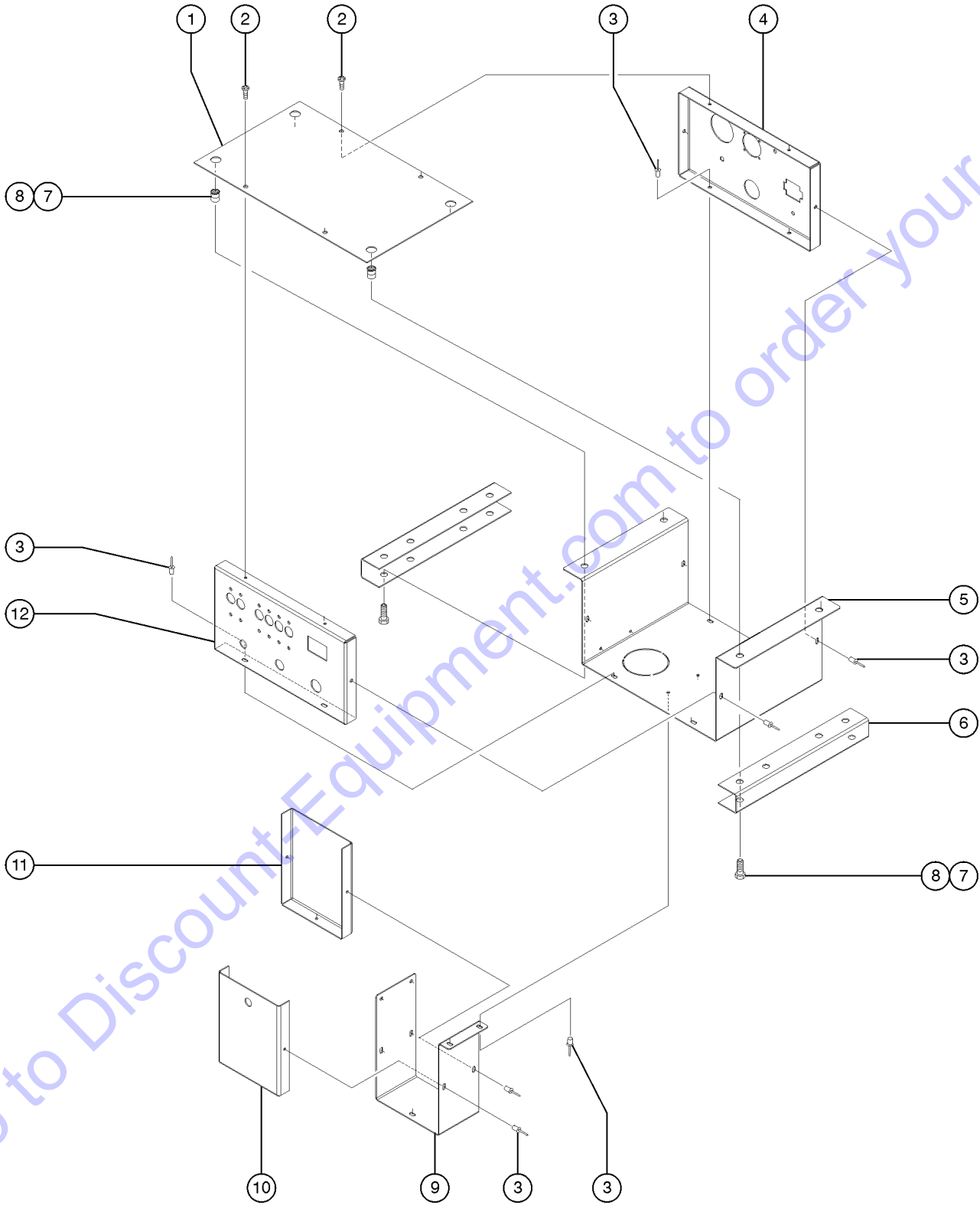
402.1 Control Box, 60HZ, View 2



Go to DiscountEquipment.com to order your parts

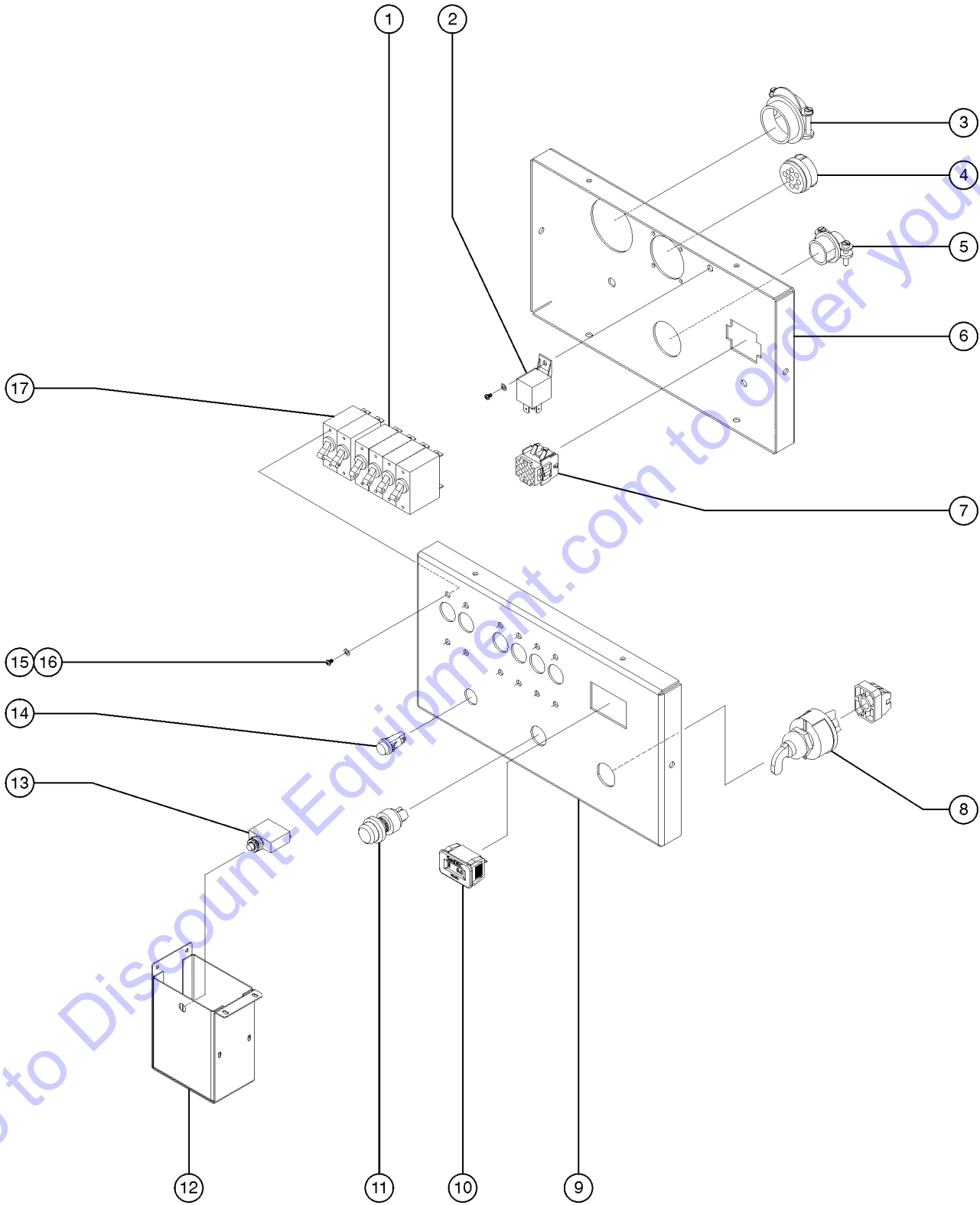
Item	Part No.	Description	Qty.
--	218588GT	CNTRL BOX 4MH 60HZ 4WIRE <i>(boxes with 4 pole receptacle)</i>	
--	T114064GT	CNTRL BOX,60HZ,4 LIGHTS,SYMBOL <i>(boxes with 3 pole receptacle)</i>	
1	686220GT	CONNECTOR 2 SCREW 1.25T-B.....1	
2	822809GT	KIT, COIL CORD HW.....1 <i>kit 822809 removes the Deutsch connector and hard wires the connection to the coil cord.</i>	
3	680030GT	CONNECTOR 2 SCREW 3/4.....1	
4	T113641GT	BREAKER,15A,120VAC 1P,CSA.....4	
5	684640GT	RECEPTACLE 20A 120V DUPLEX GFI.....1	
6	T113642GT	BREAKER,20A MINI,120VAC 1P,CSA.....1	
7A	684450GT	RECEP 30A 20V 3POLE.....1 <i>(boxes with 3 pole receptacle)</i>	
7B	686160GT	RECEP 30A 120/240V 4 POLE <i>(boxes with 4 pole receptacle)</i>	
8	684380GT	IGNITION SWITCH,LEVER OPR.....1	
9	682715GT	LIGHT INDICATOR 12VRED.....1	
10	R660010GT	SWITCH PUSH-BUTTON W/BOOT.....1	
11	T106193GT	HOURMETER,DIGITAL,RECTANGULAR.1	
12	995300GT	SCREW,PHM,6-32 X .25.....2	
13	55906GT	SCREW,PHILLIPS,PHM,8-32 X .5.....2	
14	T113644GT	BREAKER,30A 250VAC 2PCSA.....2	
15	684167GT	CONNECTOR 12P FEMALE.....1	
16	R661490GT	RELAY 12V DC 30A NO OR.....4	

403.1 Control Box, 50HZ, View 1



Item	Part No.	Description	Qty.
1	186543GT	FP-CONTROL BOX, TOP.....	1
2	996340GT	SCREW, PHM, 10-16 X 3/4	
3	990670GT	RIVET, POP, SS, 3/16" X 1/2" BLIND	
4	116802GT	FP-CONTROL BOX, REAR 50HZ.....	1
5	116801GT	FP-CONTROL BOX, BODY 50HZ.....	1
6	116874GT	FP-BRACKET, E-BOX HANGER.....	1
7	C51601444GT	SCREW, FLANGE, 1/4-20 X 1/2" PATCH	
8	993310GT	NUTSERT, 1/4-20	
9	116919GT	FP-CONTROL BOX REC BOTTOM.....	1
10	996920GT	FP-CONTROL BOX REC FRONT.....	1
11	116921GT	FP-CONTROL BOX REC BACK.....	1
12	116803GT	FP-CONTROL BOX, FRONT 50HZ.....	1

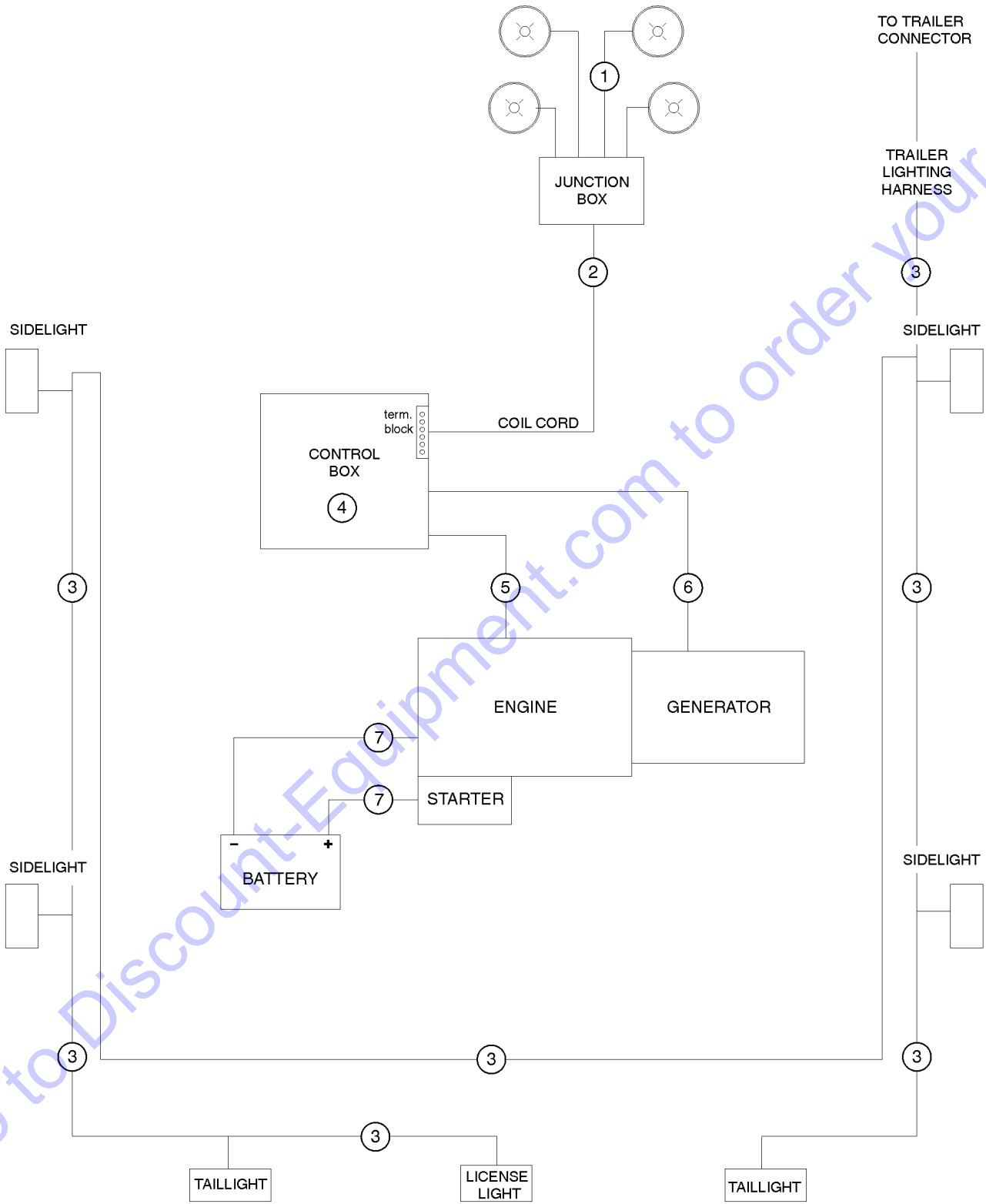
404.1 Control Box, 50HZ, View 2



Go to Discount-Equipment.com to order your parts

Item	Part No.	Description	Qty.
--	116804GT	EA-ELEC.BOX 4MH 50HZ NO RC	
1	683870GT	BREAKER 1P 15A 277VA.....1	1
2	R661490GT	RELAY 12V DC 30A NO OR.....1	1
3	686220GT	CONNECTOR 2 SCREW 1.25T-B.....1	1
4	822809GT	KIT, COIL CORD HW.....1 <i>kit 822809 removes the Deutsch connector and hard wires the connection to the coil cord.</i>	1
5	680030GT	CONNECTOR 2 SCREW 3/4.....1	1
6		Ref. FP-CONTROL BOX REC BACK <i>(refer to 403.1)</i>	
7	684167GT	CONNECTOR 12P FEMALE.....1	1
8	684380GT	IGNITION SWITCH,LEVER OPR.....1	1
9		Ref. FP-CONTROL BOX REC FRONT <i>(refer to 403.1)</i>	
10	T106193GT	HOURMETER,DIGITAL,RECTANGULAR.1	1
11	R660010GT	SWITCH PUSH-BUTTON W/BOOT.....1	1
12		Ref. ELEC BOX <i>(refer to 403.1)</i>	
13	T113642GT	BREAKER,20A MINI,120VAC 1P,CSA.....1	1
14	682715GT	LIGHT INDICATOR 12VRED.....1	1
15	995300GT	SCREW,PHM,6-32 X .25.....12	12
16	994420GT	WASHER,LOCK,#6 SS.....12	12
17	T113644GT	BREAKER,30A 250VAC 2P,CSA.....2	2

405.1 Electrical Wiring and Power Cables

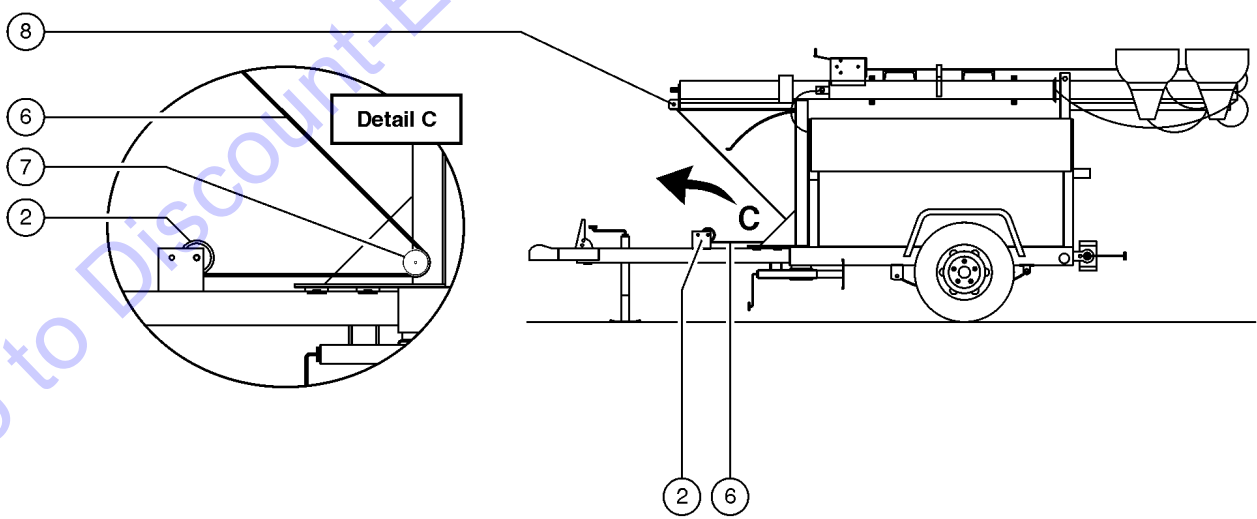
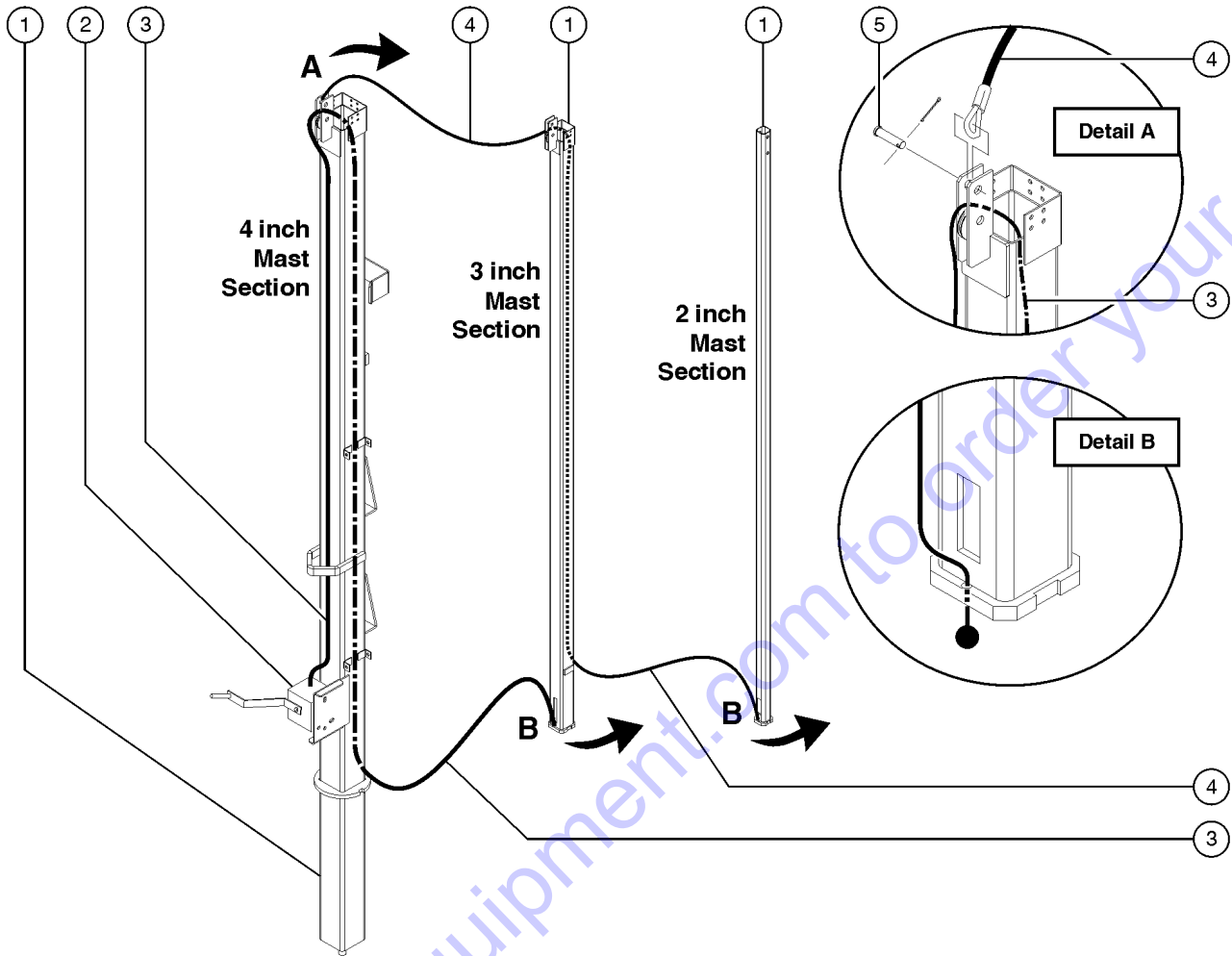


Go to Discount-Equipment.com to order your parts

405.1 Electrical Wiring and Power Cables

Item	Part No.	Description	Qty.
1		Ref., LAMP PIGTAIL <i>refer to 505.1 or 506.1</i>	
2	826916GT	KIT COIL CORD WO/ JUNCTION BOX <i>Coil Cord without Junction Box</i>	
2	826917GT	KIT COIL CORD W JUNCTION BOX <i>Coil Cord with Junction Box</i>	
--	663870GT	CONNECTOR 3P FEMALE RECEPTACLE.....4 <i>for C48300108</i>	
--	680080GT	GRIP,HUBBLE 07401010 <i>for C48300108</i>	
--	680190GT	COVER,JUNC BOX W/GSKT, 2 GANG <i>for C48300108</i>	
--	994380GT	SCREW,RH,6-32 X 5/8 <i>for 680190</i>	
--	C48300108GT	BOX,JUNC,LIGHT TWR,4 CONN <i>Junction Box</i>	
3	T109414GT	SVC KIT,TAILLIGHTS,RL4/TML	
3A	663400GT	CONNECTOR,7-POLE,TLITE,RND PIN <i>7-pole connector (round); 663405 required, order separately</i>	
3A	663401GT	CONNECTOR,BLADE,POS,TAILT, 7P <i>7-pole connector (blade)</i>	
3A	663405GT	CABLE GUARD FOR 7P CONN(663400) <i>for 663400</i>	
3A	663420GT	CONNECTOR,TAIL LIGHT,6 POLE <i>6-pole connector</i>	
3A	663430GT	CONNECTOR,TAILLIGHT,4 PIN <i>4-pole connector</i>	
4	116815GT	WIRE HARN,DC,IN CTRL BOX,2006.....1 <i>engine</i>	
5A	116820GT	WIRE HARN,ENG,KUBOTA,DC,2006.....1 <i>engine</i>	
5B	116822GT	EA-WIRE HARNESS,PERKINS,DC <i>engine</i>	
--	800004GT	PIGTAIL,FUEL SOLENOID,KUBOTA.....1 <i>engine</i>	
6	237658GT	CABLE, POWER, 10/4 48".....1	
6	709133GT	TERM RING,#10 NYL INS 12/10	
7	160276GT	CABLE SET,BATTERY,24" RED&BLK.....1	

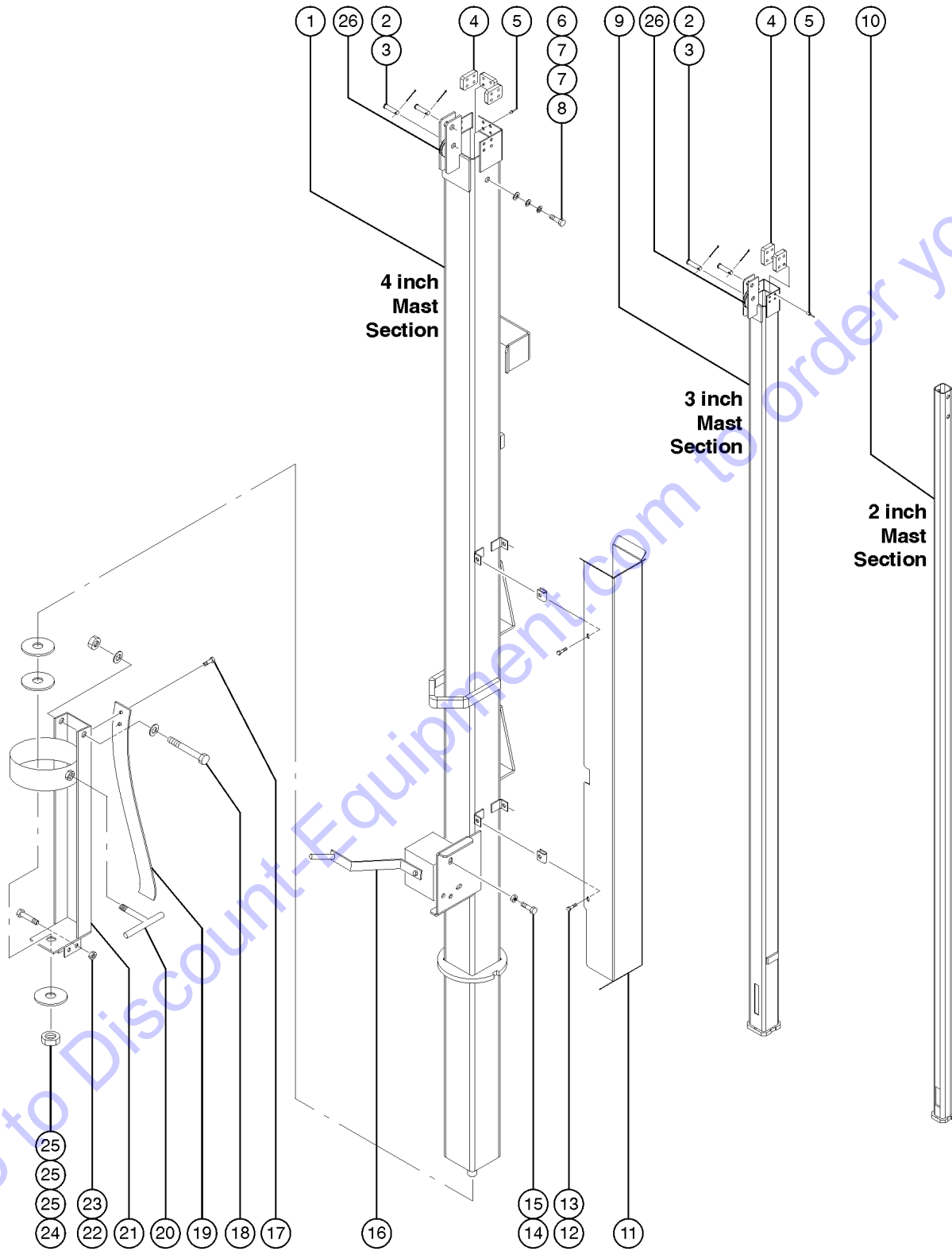
501.1 Mast Assembly and Winch Cable Routing



501.1 Mast Assembly and Winch Cable Routing

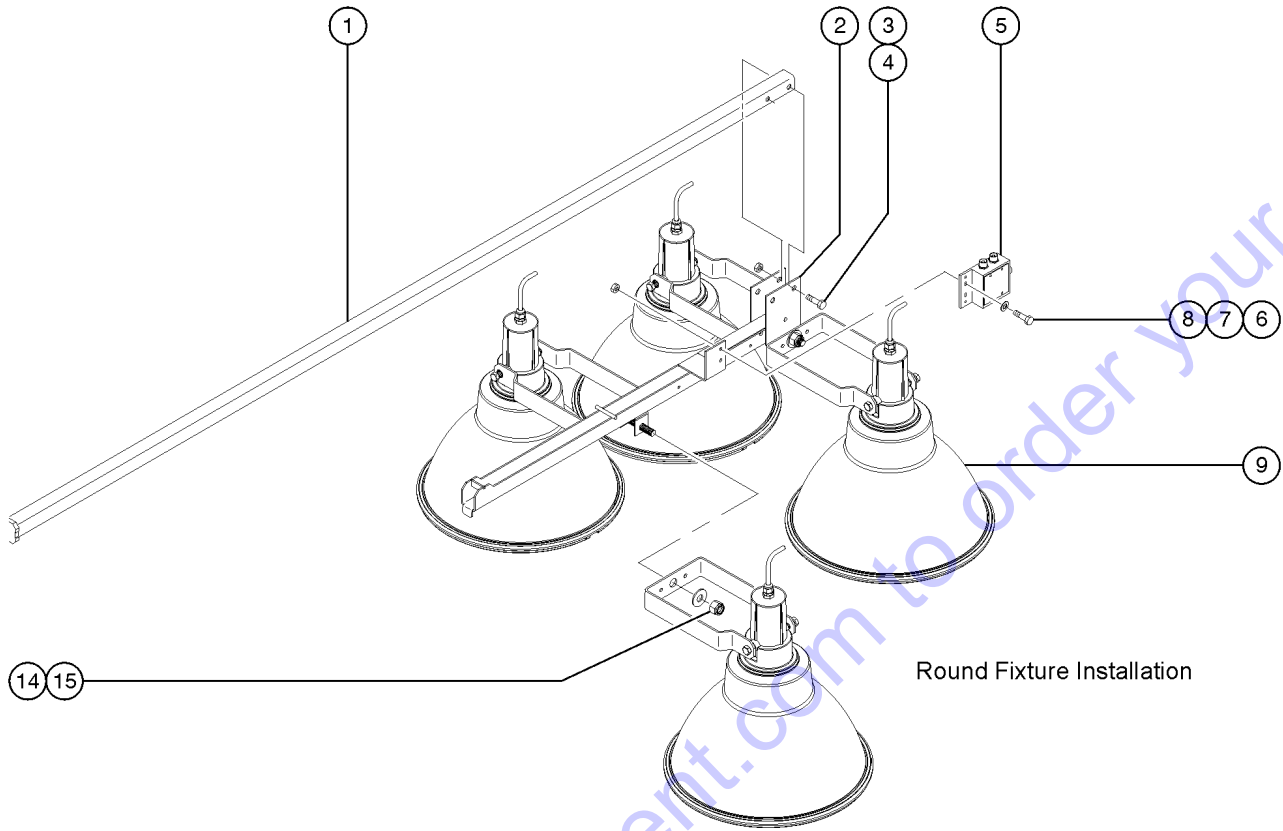
Item	Part No.	Description	Qty.
1		MA-TOWER ASSY W/CABLES,RL4 (C116810).....1 <i>Mast Assembly, Complete (includes items 2-8) (assembly no longer available)</i>	
--		Ref., 4-INCH MAST SECTION <i>refer to 502.1</i>	
2		Ref., WINCH <i>refer to 208.1</i>	
3	CU61A025GT	CABLE,EXT,UPPER, 3/16 X 19'.....1 <i>lifts the 3-inch mast section</i>	
4	CU61A035GT	CABLE,EXT,LOWER, 3/16 X 11'.....1 <i>(also order one each 791910 & T108880)</i>	
--	791910GT	SLEEVE,OVAL,3/16",ALUMINUM.....1 <i>(must be used when replacing part number CU61A035)</i>	
--	T108880GT	THIMBLE WIRE ROPE-3/16.....1 <i>(must be used when replacing part number CU61A035)</i>	
5	990650GT	COTTER PIN 1/8X1 SSBIN STOCK <i>for 992760</i>	
5	992760GT	CLEVIS PIN 1/2X1.5 SS	
6		Ref., MAST RAISE/LOWER CABLE <i>refer to 201.1</i>	
7		Ref., CABLE PULLEY <i>refer to 201.1</i>	
8		Ref., CABLE FASTENERS <i>refer to 502.1</i>	

502.1 Mast Components

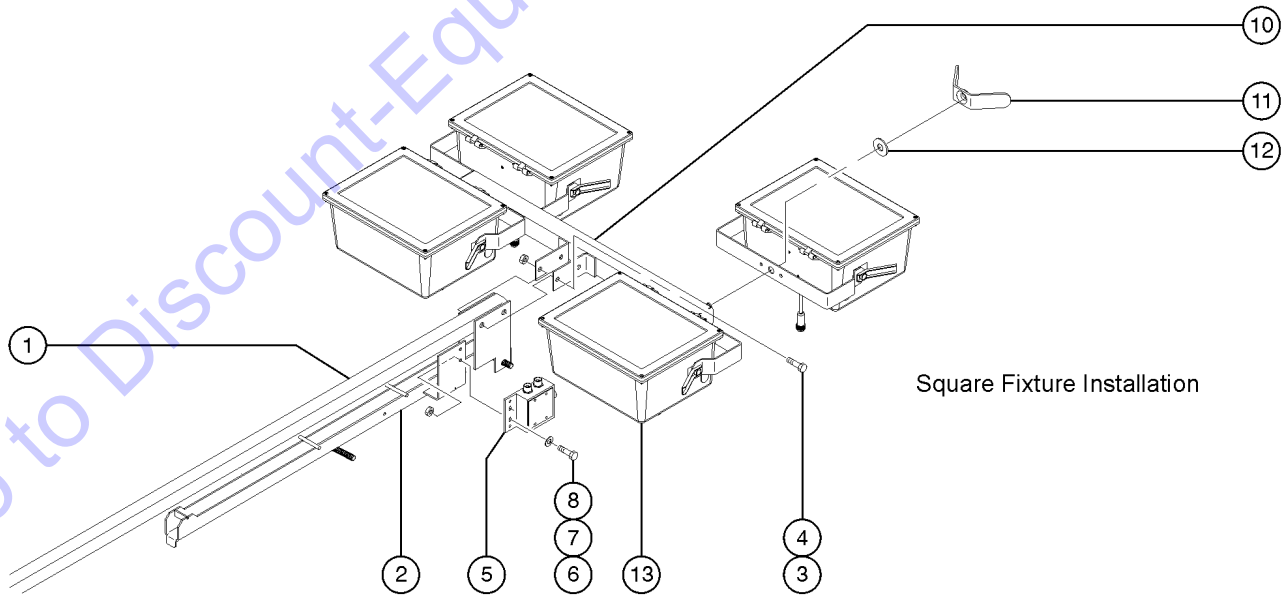


Item	Part No.	Description	Qty.
1	CR61C010GT	BOOM,4" SECTION.....	1
2	992760GT	CLEVIS PIN 1/2X1.5 SS.....	4
3	990650GT	COTTER PIN 1/8X1 SSBIN STOCK.....	4
4	CS61A053GT	SLIDE BLOCK,TOWER GD 1147086..... 4-inch mast	3
4A	CS61A053GT	SLIDE BLOCK,TOWER GD 1147086..... 3-inch mast	2
5	C41135000GT	RIVET POP 1/4 X1/2..... 4-inch mast	12
5A	C41135000GT	RIVET POP 1/4 X1/2..... 3-inch mast	8
6	C54200700GT	SCREW 1/2-13X 1 Z G5.....	1
7	991650GT	WASHER LOCK 1/2ZP.....	2
8	990210GT	WASHER FLAT 1/2ZP.....	1
9	CR61C020GT	BOOM,3" SECTION.....	1
10	CR61C030GT	BOOM,2" SECTION.....	1
11	CR61C018GT	COVER,COIL CORD.....	1
12	C51601442GT	SCREW FLANGE 1/4 -20X.....	4
13	C51600800GT	NUT CLIP 1/4 -20X3/4.....	4
14	C51601570GT	SCREW FLANGE 3/8X 3/4.....	3
15	48425GT	NUT,FLG-LRG,3/8-16,YZ.....	3
16		Ref., WINCH refer to 208.1	
17	C51601570GT	SCREW FLANGE 3/8X 3/4.....	2
18		Ref., PIVOT FASTENERS refer to 201.1	
19	CU61A090GT	SPRING,KICKOUT,BOOM/TOWER RL...1	1
20	990610GT	BOLT,TEE 1/2-20 X 4.5.....	1
21	CS61C060GT	SWIVEL,BOOM RL4.....	1
22	6198GT	NUT,NYLOCK,1/2-13.....	1
23	C54200200GT	SCREW 1/2 -13 X 2.....	1
24	87722GT	NUT,NYLOCK,7/8-9.....	1
25	69819GT	WASHER,FLAT,USS,7/8",Y.....	3
26	C61400100GT	PULLEY,STEEL,3".....	2

503.1 Upper Mast Components, RL4000



Round Fixture Installation

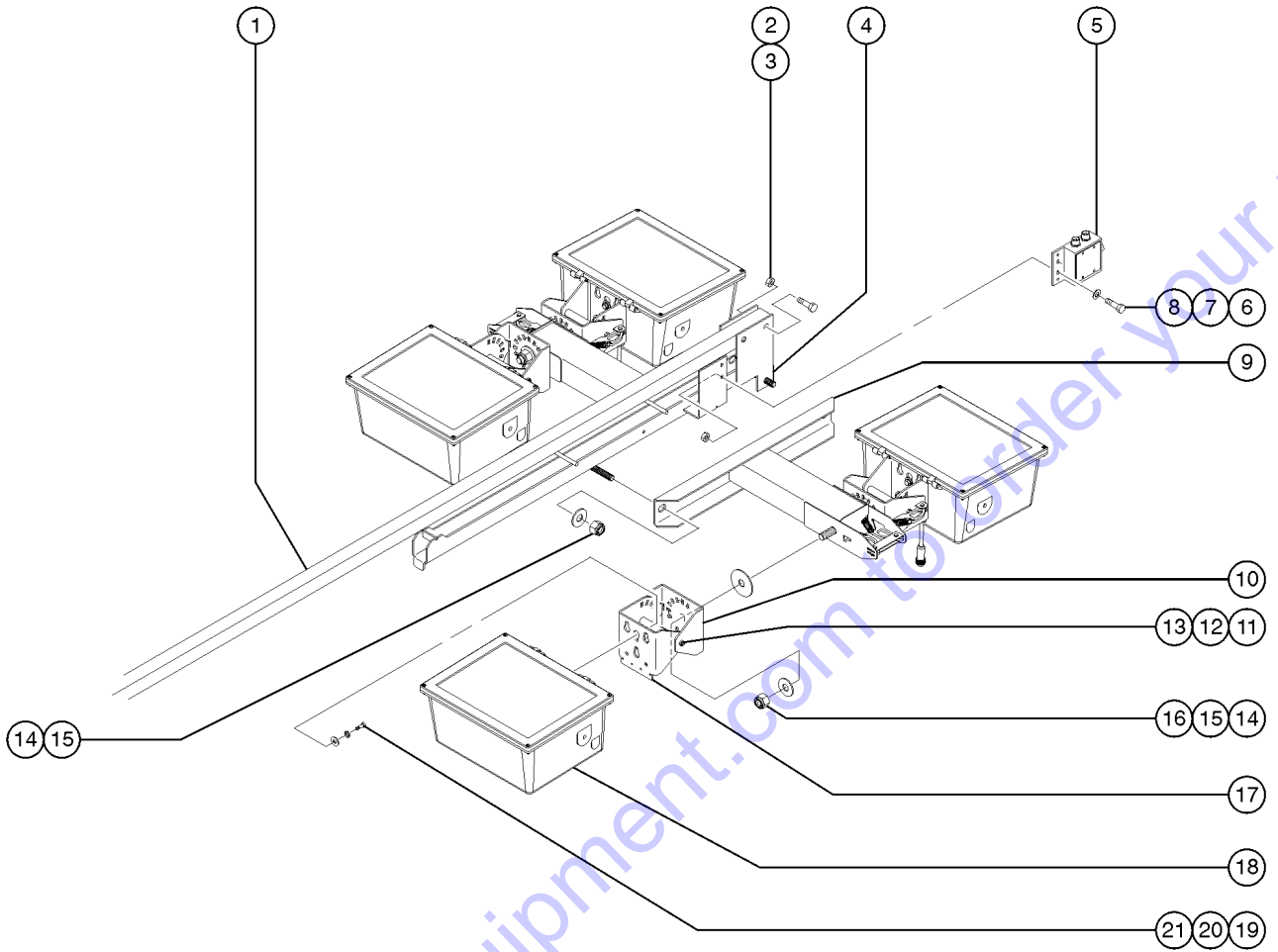


Square Fixture Installation

503.1 Upper Mast Components, RL4000

Item	Part No.	Description	Qty.
1		Ref., 2" BOOM SECTION <i>refer to 502.1</i>	
2	CR64C010GT	CROSSHEAD,RL4.....	1
3	990270GT	SCREW,HHC,1/2-13 X 3.5 GR8.....	2
4	990200GT	NUT,NYLOCK,1/2-13 GR2.....	2
5		Ref., JUNCTION BOX <i>refer to 405.1</i>	
6	6888GT	SCREW,HHC,1/4-20 X 1.....	2
7	6638GT	WASHER,FLAT,USS,1/4"Y.....	2
8	6091GT	NUT,NYLOCK,1/4-20.....	2
9		Ref., ROUND LIGHT FIXTURE <i>refer to 505.1</i>	
10	116073GT	CROSSARM, RECT FIXTURE TOWER.....	1
11	22123080GT	WING NUT, FIXTURE,RL4,AL4,AL5.....	4
12	990880GT	WASHER,LOCK,STAR 3/4 E.....	4
13		Ref., SQUARE LIGHT FIXTURE <i>refer to 506.1</i>	
14	993180GT	NUT,NYLOCK,3/4-10 ZP.....	4
15	990230GT	WASHER,FLAT,3/4 ZP.....	4

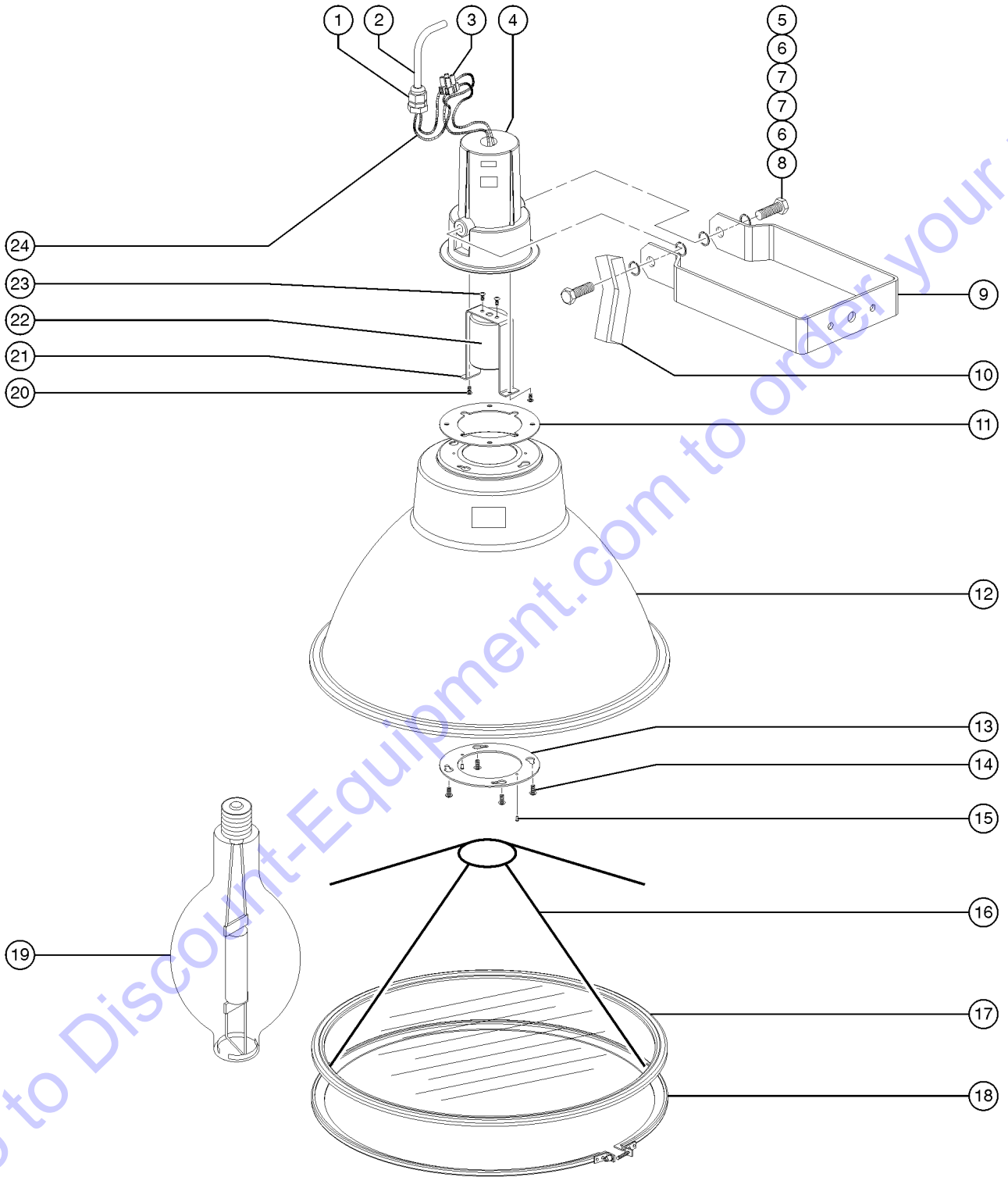
504.1 Upper Mast Components, TML



504.1 Upper Mast Components, TML

Item	Part No.	Description	Qty.
1		Ref., 2" BOOM SECTION <i>refer to 502.1</i>	
2	990200GT	NUT,NYLOCK,1/2-13 GR2.....	2
3	990270GT	SCREW,HHC,1/2-13 X 3.5 GR8.....	2
4	CR64C010GT	CROSSHEAD,RL4.....	1
5		Ref., JUNCTION BOX <i>refer to 405.1</i>	
6	6888GT	SCREW,HHC,1/4-20 X 1.....	2
7	6638GT	WASHER,FLAT,USS,1/4"Y.....	2
8	6091GT	NUT,NYLOCK,1/4-20.....	2
9	116591GT	AS-HALF CROSSARM.....	2
10	124461GT	BRACKET GENIE FXTRYA.....	4
11	981200GT	SCREW,HHC,5/16-18 X 6.....	4
12	80466GT	TUBE, SPACER.....	4
13	991945GT	NUT LOCK NYLON INSERT.....	4
14	993180GT	NUT,NYLOCK,3/4-10 ZP.....	4
15	990230GT	WASHER,FLAT,3/4 ZP.....	4
16	720495GT	WASHER,UHMW,13/16 IDX3 ODX1/8...4	4
17	823268GT	FORMING, LIGHT PITCH ADJ.....	4
18		Ref., SQUARE LIGHT FIXTURE <i>refer to 506.1</i>	
19	134415GT	SCREW 3/8-16X3/4 S/S HEX.....	12
20	6021GT	WASHER,LOCK,.375.....	12
21	6097GT	WASHER,FLAT,USS,3/8",Y.....	12

505.1 Light Assembly, Round

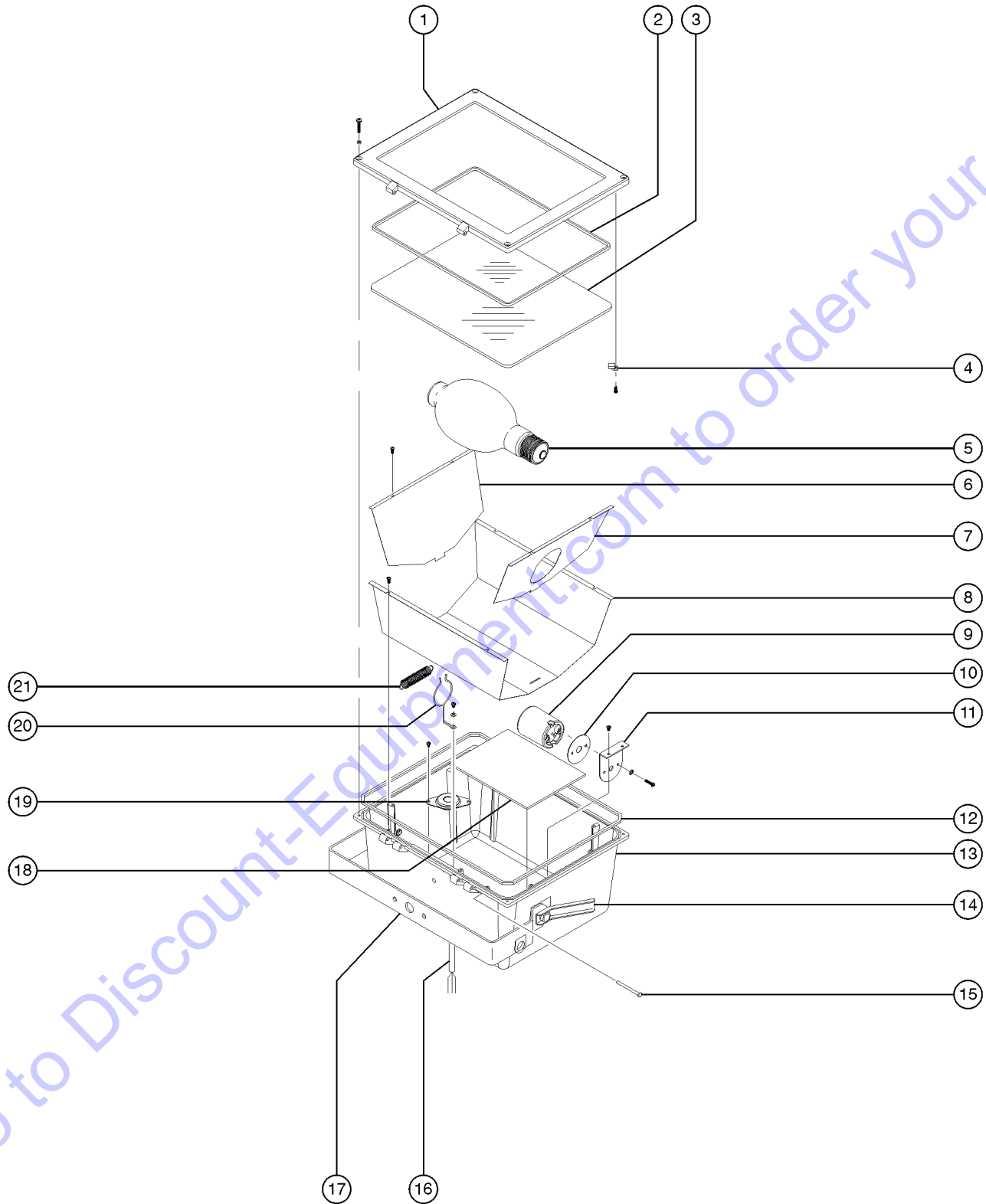


Go to Discount-Equipment.com to order your parts

505.1 Light Assembly, Round

Item	Part No.	Description	Qty.
--	C41100720GT	LIGHT FIXTURE,MH,AL4,RL4,AL5 <i>Light Fixture, Complete (silver)</i>	
--	161281GT	FIXTURE LIGHT MH BLACK COATED <i>Light Fixture, Complete (black)</i>	
1	680020GT	LOCKNUT,CONDUIT,1/2 CSA APPVD....1	
1	682470GT	CONN,STRAIN RELIEF,1/2 NPT.....1	
1	683950GT	GASKET,STRAIN RELIEF,1/2.....1	
2	663850GT	CORD SET MALE 5FT. 3P.....1	
3	709034GT	TERMINAL STRIP,CE.....1	
4	833567GT	CASTING,FIXTURE QUICK CONNECT.....1 <i>silver</i>	
5	990810GT	SCREW,HHC,1/2-13 X 1.5.....1	
6	991650GT	WASHER LOCK 1/2ZP.....2	
7	995970GT	WASHER LOCK STAR 1/2E.....2	
8	981640GT	SCREW,HHC,1/2-13 X 1.25.....1	
9	833566GT	BRKT,TRUNION.....1 <i>silver</i>	
10	833573GT	T-HANDLE.....1 <i>silver</i>	
11	833569GT	GASKET, HOUSING REFLECTOR BASE.....1	
12	833547GT	REFLECTOR & LENS ASSY STD FIX....1 <i>silver; includes items 17-18</i>	
--	833568GT	REFLECTOR (C41100720)	
13	833570GT	RING,REINFORCING (C41100720)	
14	833571GT	SCREW,PHM,10-24 X 5/8	
15	990675GT	RIVET POP 1/8X.390 GR	
16	22120102GT	SPIDER, MH/HPS	
17	833524GT	LENS W/GASKET (C41100720)	
--	C2450108GT	LENS GASKET FOR LIGHT FIXTURE	
18	833543GT	CLAMP,LENS (C41100720) <i>includes fasteners</i>	
--	833574GT	SCREW,HH SLOT,8-32X1	
--	833578GT	NUTSERT,8-32 (833543)	
--	833581GT	WASHER,CLAMP,RUBBER(833543)	
19	160071GT	LAMP MH 1000W M1000/U SYL.....1	
20	833565GT	SCREW,PHM,8-32X3/8.....2	
21	833563GT	BRKT,SOCKET MOGUL FO.....1	
22	833564GT	SOCKET BASE-MOGUL.....1	
23	833577GT	SCREW,RHM,6-32X5/8.....2	
24	833582GT	SLEEVE,WIRE,FIBERGLASS.....1	

506.1 Light Assembly, Square

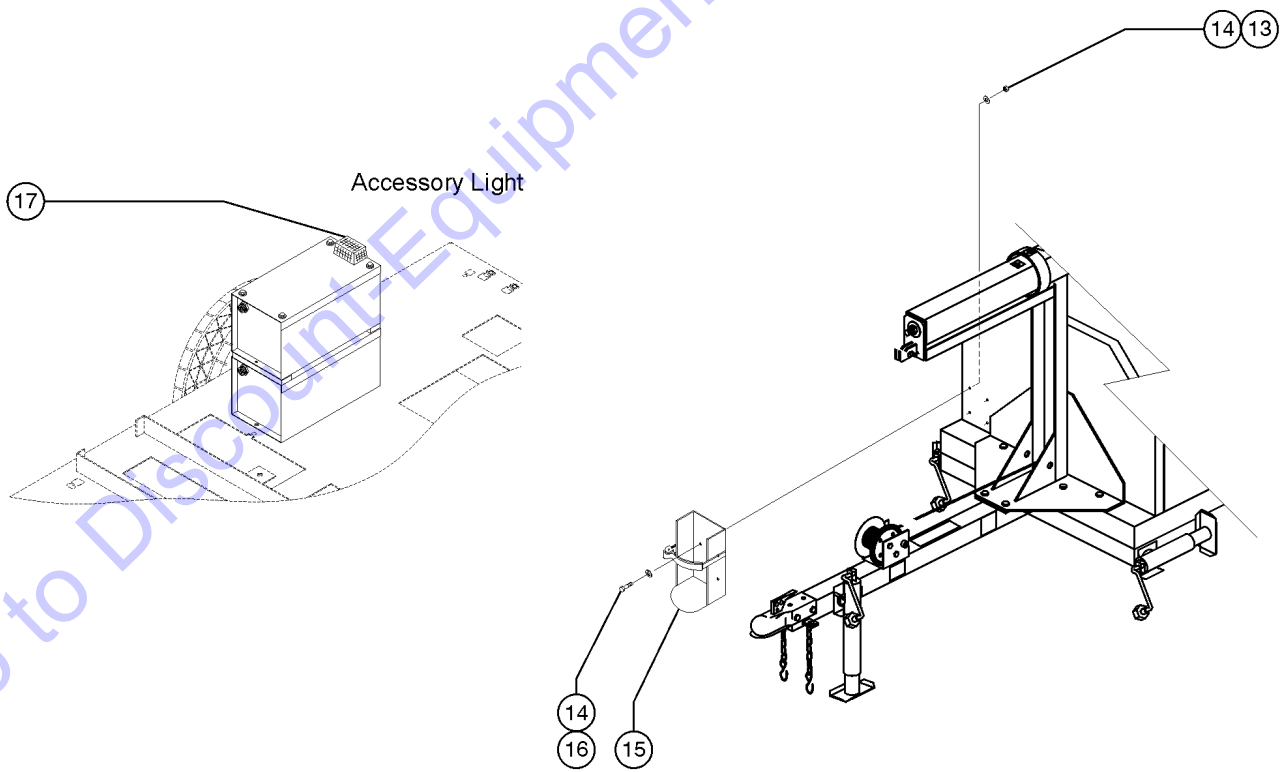
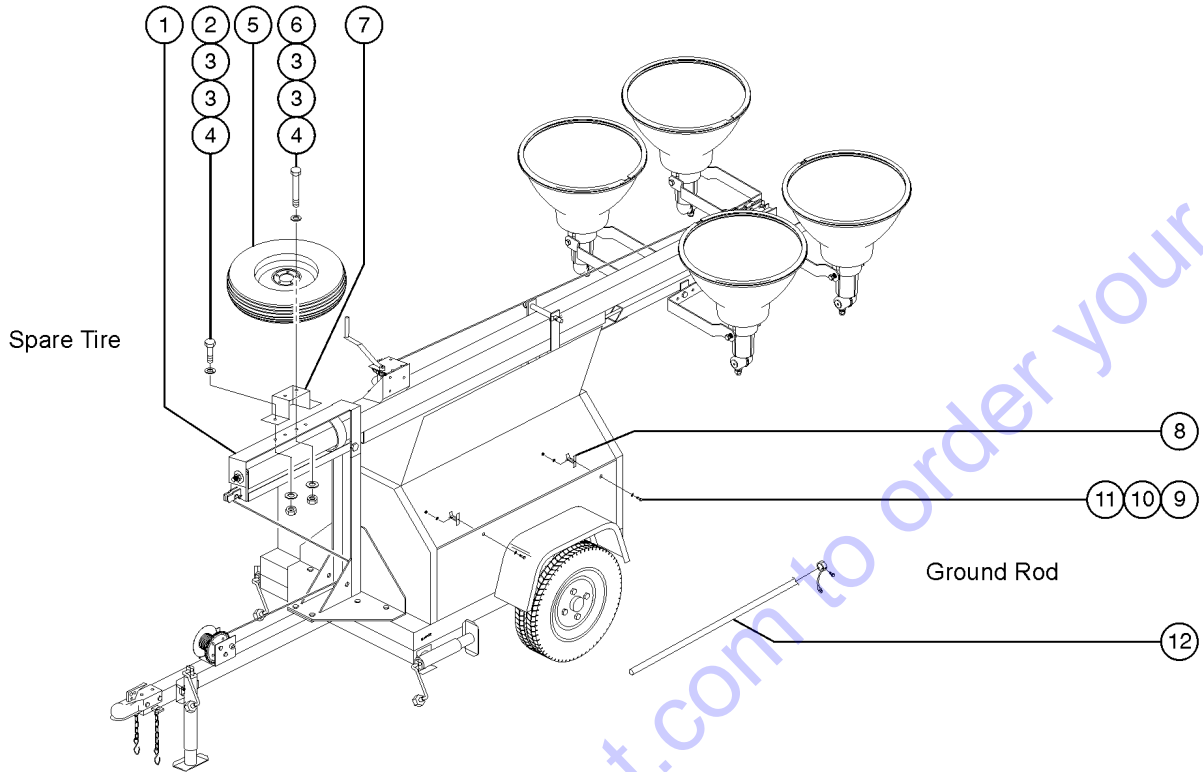


Go to Discount-Equipment.com to order your parts

506.1 Light Assembly, Square

Item	Part No.	Description	Qty.	Item	Part No.	Description	Qty.
--	161090GT	FIXTURE ASSEMBLY 1000W RECT <i>TML models with hard-wired pigtail (does not include items 14 and 17)</i>		21	116061GT	SPRING, LAMP RETAINER.....	1
--	161095GT	FIXTURE ASSEMBLY 1000W RECT <i>RL models (includes items 14 and 17)</i>					
--	232508GT	FIXTURE RECT TML 1000W <i>TML models with plug-in pigtail connector (does not include items 14 and 17)</i>					
1	116054GT	TOP FRAME,HOUSING BASE.....	1				
1B	71979GT	SCREW,INDENTED HEX,10-24 X .75 <i>for 116054</i>					
2	116049GT	GASKET,RECTANGULAR GLASS/LENS.....	1				
3	116048GT	GLASS/LENS,RECTANGULAR PSI..... <i>(14.14 x 10.83 inches)</i>	1				
3A	80103GT	LENS,LIGHT (57449) <i>(15.38 x 12.13 inches)</i>					
3B	116010GT	GLASS LENS <i>(17.5 x 9.75 inches)</i>					
4	116051GT	RETAINER CLIP,GLASS/LENS.....	4				
4	116052GT	COVER,GLASS/LENS RETAINER CLIP.....	4				
5	160077GT	LAMP MH 1000W BT37HOR.....	1				
6	116046GT	REFLECTOR SIDE.....	1				
7	116047GT	REFLECTOR LAMP SIDE.....	1				
8	116045GT	REFLECTOR BASE.....	1				
9	116057GT	LIGHT SOCKET,PSI RECT 5 KV..... <i>includes pigtail</i>	1				
10	116056GT	GASKET,LIGHT SOCKET.....	1				
11	116044GT	BRACKET, SOCKET MOUNT.....	1				
12	116053GT	GASKET,HOUSING BASE, TOPFRAME.....	1				
13	116042GT	FIXTURE HOUSING BASE,1KW RECT..... <i>(replaced 116108)</i>	1				
14	116064GT	HANDLE, ADJUSTMENT..... <i>RL models</i>	2				
14	823380GT	BOLT, HANDLE.....	2				
14	991650GT	WASHER LOCK 1/2ZP..... <i>RL models</i>	2				
14	995970GT	WASHER LOCK STAR 1/2E..... <i>RL models</i>	2				
15	116043GT	CLEVIS PIN,4.6X60MM.....	2				
16	663850GT	CORD SET MALE 5FT. 3P.....	1				
17	116055GT	YOKE,PSI RECT.LIGHT FIXTURE..... <i>RL models</i>	1				
18	116059GT	FIBERGLASS PAD,RECT LAMP FIXT....	1				
19	116109GT	GROMMET ASSEMBLY.....	1				
20	116058GT	LAMP BRACE, RECT HOUSING.....	1				

601.1 Safety and Convenience

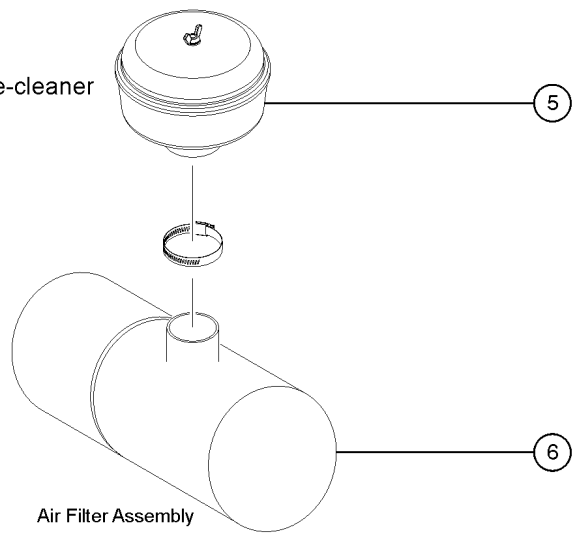
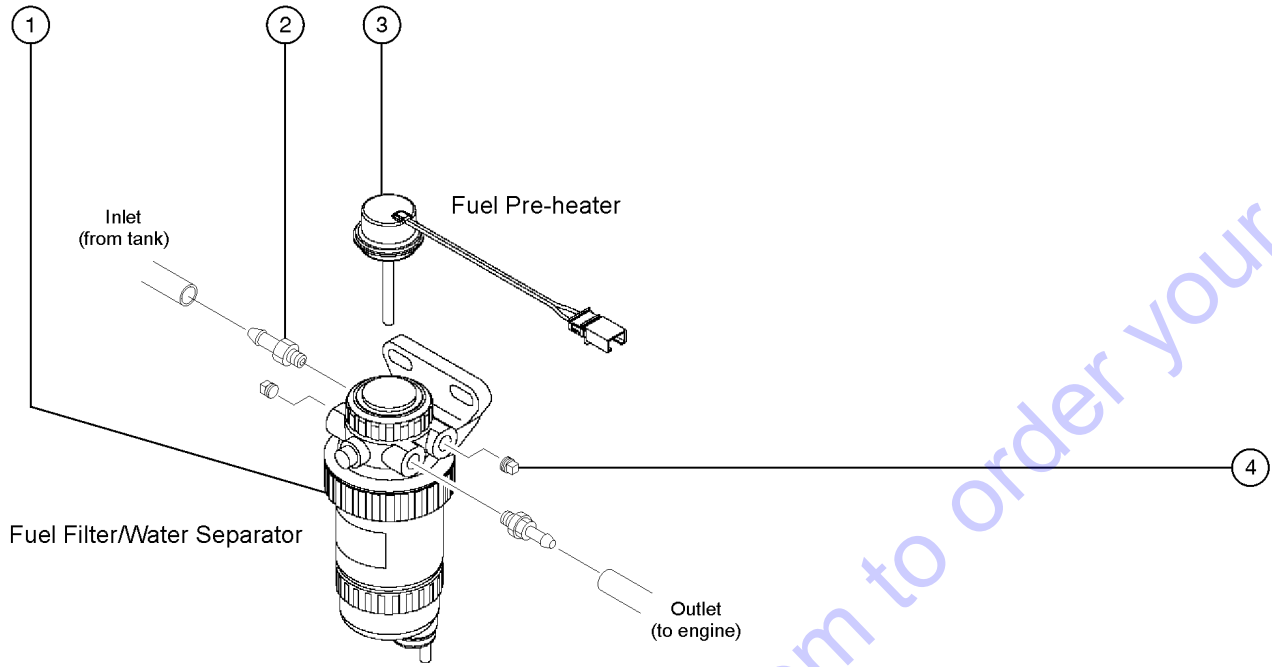


Go to DiscountEquipment.com to order your parts

601.1 Safety and Convenience

Item	Part No.	Description	Qty.
1	CR82A150GT	BRACKET TIRE MOUNT SPARE.....	1
2	994600GT	SCREW 1/2-13NCX1-1/2H.....	2
3	6095GT	WASHER,FLAT,USS,1/2",Y.....	8
4	6198GT	NUT,NYLOCK,1/2-13.....	8
5	116021GT	WHEEL/TIRE ASSY,13",175/80 LRB.....	1
6	994200GT	SCREW 1/2-13NCX5-1/2H.....	2
7	CR82A160GT	MOUNT FRONT TIRE-SPAR.....	1
8	682311GT	HOLDER SPRING ACTION5.....	2
9	993711GT	SCREW #10-24NCX1/2RD.....	4
10	R980300GT	WASHER FLAT #10 STAINLESS.....	4
11	R980245GT	NUT, LOCK, NYL 10-24NC 18-8 SS.....	4
12	113392GT	MA-GROUND ROD LT.TWR.....	1
--	682660GT	GROUND CLAMP 3/4 MW 2	
--	684310GT	WIRE 8 AWM-MTW GREEN	
--	709146GT	TERMINAL RING NYL INS	
13	991940GT	NUT,NYLOCK,5/16-18.....	4
14	981065GT	WASHER FLAT 5/16ZP SAE/BIN.....	8
15	217718GT	BRACKET FIRE EXT 20LB RL4.....	1
16	123840GT	SCREW,HHC,5/16-18X.75,GR8,Y.....	4
17	C41101100GT	LIGHT DOME 12V W/SWITCRL4.....	1

602.1 Engine Options



602.1 Engine Options

Item	Part No.	Description	Qty.
1	116154GT	AY,DSL FUEL/WATER SEPARATOR.....1	
--	116148GT	GASKET,FUEL FILTER <i>for 116151</i>	
--	116151GT	FILTER,30 MICRON FUEL-WATER	
--	116152GT	GASKET,WATER COLLECTOR <i>for 116153</i>	
--	116153GT	WATER COLLECTOR AY	
--	116211GT	WASHER,RUBBER SEAL <i>for 116212</i>	
--	116212GT	VALVE,PLASTIC DRAIN	
1A	981120GT	WASHER FLAT 3/8 ZP SAE BIN.....4	
1A	990170GT	NUT LOCK NYLON INSERT 3/8.....2	
1A	990470GT	WASHER LOCK 3/8ZP.....2	
1A	991761GT	SCREW,HHC,3/8-16 X 1.25.....2	
2	898590GT	HOSE FITTING PIPE/BAR.....2	
3	116144GT	HEATER, TOPLOAD FUEL, 100W/12V...1	
3	116145GT	GASKET, FUEL HEATER	
3	116587GT	FUSE,ATC BLADE,10A	
3	116588GT	FUSE HOLDER,ATC BLADE,#16	
4	894230GT	PIPE PLUG 1/4 GALV.....2	
5	740455GT	AIR BREATHER PRE-CLEA	
6		Ref., ENGINE AIR CLEANER <i>refer to 304.1 or 306.1</i>	

Part Number Index

The Part Number Index is a numeric index of all part numbers included in this manual. The index shows what page(s) the part is used on.

Part Number	Page	Part Number	Page	Part Number	Page	Part Number	Page
101201GT	55	116588GT	97	133482GT	11, 13	236046GT	61
101208GT	55	116591GT	89	133483GT	11, 13, 15, 17	236977GT	35
101209GT	55	116667GT	37	133484GT	11, 13	236978GT	41
101319GT	61	116668GT	37	133487GT	11, 13, 15, 17, 23, 25, 27, 29	237627GT	11
101320GT	61	116674GT	37	133488GT	19	237628GT	23
101322GT	61	116686GT	37	134415GT	89	237629GT	13
101326GT	63, 65, 67, 69	116729GT	61	13854GT	43	237630GT	25
101327GT	63, 65, 67, 69	116733GT	53	139265GT	63, 65, 67, 69	237631GT	11
101341GT	61	116801GT	77	139272GT	61	237632GT	23
106663GT	61	116802GT	77	139278GT	55	237633GT	13
110523GT	53	116803GT	77	139279GT	55	237634GT	25
112291GT	63, 65	116804GT	79	14262GT	39	237658GT	81
112300GT	35	116815GT	81	147122GT	41	237707GT	61
113392GT	95	116820GT	81	147123GT	41	237708GT	63, 65, 67, 69
114251GT	23, 25, 27, 29	116822GT	81	160030GT	45	237774GT	61
114258GT	11, 13, 15, 17	116833GT	55	160032GT	45	237775GT	63, 65, 67, 69
114355GT	45	116874GT	77	160033GT	45	237776GT	61
114391GT	23, 25, 27, 29	116893GT	23, 25	160071GT	91	24514GT	47
114431GT	11, 13, 15, 17	116894GT	23, 25, 27, 29	160077GT	93	28159GT	11, 13, 15, 17, 23, 25, 27, 29
114448GT	11, 23, 25	116895GT	23, 25	160276GT	81	28161GT	11, 13, 15, 17
114464GT	15, 17	116896GT	23, 25, 27	160490GT	45	28162GT	11, 13, 15, 17
115366GT	45	116897GT	31	161085GT	35	30348GT	63, 65, 67, 69
116010GT	93	116898GT	31	161090GT	93	30973GT	55
116021GT	35, 95	116899GT	31	161095GT	93	31788GT	15, 17
116042GT	93	116901GT	11, 23, 25	161109GT	53	32069GT	55
116043GT	93	116902GT	11, 23, 25	161151GT	71	32103GT	57
116044GT	93	116908GT	49	161180GT	45	32185GT	53, 55
116045GT	93	116909GT	49	161181GT	45	32191GT	55
116046GT	93	116910GT	49	161184GT	45	32199GT	55
116047GT	93	116911GT	49	161185GT	45	32499GT	37
116048GT	93	116912GT	49	161281GT	91	33265GT	43
116049GT	93	116913GT	47, 49	162160GT	35	33373GT	37
116051GT	93	116918GT	49	16342GT	51	38028GT	37
116052GT	93	116919GT	77	174170GT	35	42191GT	37
116053GT	93	116921GT	77	176335GT	43	44191GT	55
116054GT	93	116923GT	49	182330GT	35	44196GT	57
116055GT	93	116927GT	49	182331GT	35	44197GT	57
116056GT	93	116936GT	43	183731GT	43	44198GT	57
116057GT	93	116937GT	43	184315GT	53, 71	44743GT	47
116058GT	93	116949GT	41	184325GT	53	48425GT	85
116059GT	93	12012GT	51	186540GT	73	51131GT	37, 43
116061GT	93	120222GT	37	186542GT	73	52475GT	11, 13, 15, 17, 23, 25, 27, 29
116064GT	93	122079GT	43	186543GT	73, 77	52531GT	55
116073GT	87	123461GT	43	186544GT	73	52532GT	55
116109GT	93	123840GT	71, 95	189346GT	45	52533GT	55
116121GT	73	124450GT	43	189347GT	71	55906GT	75
116144GT	97	124461GT	89	189796GT	49	57332GT	43
116145GT	97	1254824GT	53	211410GT	43	58291GT	63, 65, 67, 69
116148GT	97	1256083GT	51	213770GT	43	58292GT	63, 65, 67, 69
116151GT	97	1257665GT	63, 65, 67, 69	216370GT	35	58356GT	71
116152GT	97	1274237GT	57	216631GT	35	58427GT	63, 65, 67, 69
116153GT	97	1275721GT	63, 67, 69	217717GT	39	6-5208-32GT	71
116154GT	97	1277953GT	71	217718GT	95	6-5208-44GT	43
116168GT	71	133012GT	15, 17	218588GT	75	6021GT	89
116169GT	71	133016GT	19	22111935GT	35	6024GT	43
116172GT	71	133017GT	15, 17	22111936GT	35	6034GT	51
116177GT	71	133031GT	23, 25, 27, 29	22120102GT	91	6035GT	43
116178GT	71	133055GT	27, 29	22123080GT	87	6091GT	87, 89
116184GT	71	133062GT	15, 17, 27, 29	22124015GT	53	6095GT	43, 95
116187GT	71	133064GT	31	22124016GT	53	6097GT	89
116211GT	97	133065GT	23, 25, 27, 29	22124025GT	53	6184GT	51
116212GT	97	133066GT	27, 29	221580GT	43	6190GT	51
116244GT	71	133148GT	11, 13, 15, 17, 21	227518GT	13, 17, 25, 29	6198GT	37, 51, 71, 85, 95
116249GT	53	133149GT	23, 25, 27, 29, 33	22832GT	51	62118GT	57
116252GT	53, 71	133225GT	15, 27	228458GT	63, 65, 67, 69	62296GT	55
116253GT	71	133455GT	11	229457GT	71	62421GT	61
116254GT	71	133457GT	11, 15	230051GT	35	6291GT	51
116503GT	55	133458GT	11	230561GT	41	65636GT	61
116517GT	71	133459GT	11	230736GT	49	65638GT	61
116518GT	61	133460GT	11, 13	231332GT	59	660320GT	39
116519GT	61	133461GT	11, 13, 15, 17	231333GT	59	663400GT	81
116523GT	53, 55	133462GT	15, 17	232508GT	93	663401GT	81
116563GT	37	133463GT	15, 17	234842GT	55	663405GT	81
116564GT	37	133477GT	11, 13	235490GT	13, 17, 25, 29		
116587GT	97	133478GT	19				

Part Number Index (continued)

Part Number	Page	Part Number	Page	Part Number	Page	Part Number	Page
663420GT	81	80379GT	53, 71	85130GT	63, 65, 67, 69	990150GT	35
663430GT	81	80466GT	89	851310GT	35	990160GT	35
663520GT	47, 49	822809GT	75, 79	85140GT	61	990170GT	49, 97
663850GT	91, 93	823268GT	89	85143GT	63, 65, 67, 69	990200GT	35, 43, 53, 87, 89
663860GT	45	823380GT	93	85155GT	39	990210GT	37, 43, 53, 71, 85
663870GT	81	82472GT	23, 25, 27, 29	851691GT	11, 13, 15, 17, 23, 25, 27, 29	990230GT	87, 89
6638GT	87, 89	82481GT	27, 29	851692GT	11, 13, 15, 17, 23, 25, 27, 29	990270GT	61, 71, 87, 89
6782GT	55	82487GT	23, 25, 27, 29	851693GT	11, 13, 15, 17, 23, 25, 27, 29	990415GT	53, 61, 71
680020GT	91	826916GT	81	851694GT	11, 13, 15, 17, 23, 25, 27, 29	990460GT	71
680030GT	75, 79	826917GT	81	851820GT	35	990470GT	71, 97
680080GT	81	82961GT	23, 27	85206GT	71	990610GT	85
680190GT	81	832128GT	55	85207GT	71	990650GT	37, 83, 85
680250GT	47, 49	833524GT	91	85207GT	71	990660GT	37
682311GT	95	833543GT	91	85207GT	71	990670GT	47, 49, 73, 77
682470GT	91	833547GT	91	853289GT	13	990675GT	91
682660GT	95	833563GT	91	853294GT	13	990810GT	91
682715GT	75, 79	833564GT	91	865055GT	55	990820GT	35
682740GT	47, 49	833565GT	91	865085GT	53	990880GT	87
682750GT	47, 49	833566GT	91	865100GT	57	991650GT	37, 43, 47, 49, 53, 61, 71, 85, 91, 93
683870GT	79	833567GT	91	865257GT	57	991761GT	71, 97
683950GT	91	833568GT	91	865260GT	53	991940GT	95
684167GT	75, 79	833569GT	91	865263GT	53	991945GT	89
684310GT	95	833570GT	91	865276GT	55	99199GT	57
684380GT	75, 79	833571GT	91	865307GT	53	992330GT	49
684450GT	75	833573GT	91	865435GT	55	992760GT	83, 85
684640GT	75	833574GT	91	866030GT	57	993180GT	35, 87, 89
686160GT	75	833577GT	91	866040GT	57	993310GT	73, 77
686220GT	75, 79	833578GT	91	866050GT	57	993711GT	95
6888GT	87, 89	833581GT	91	866068GT	63, 65, 67, 69	993835GT	43
69209GT	51	833582GT	91	866081GT	55	993850GT	47, 49
69800GT	37	834204GT	35, 37	866090GT	55	993860GT	35
69813GT	37	834211GT	35	866101GT	55	993890GT	43
69814GT	37	834219GT	35, 37	866110GT	53	994200GT	43, 95
69815GT	37	834228GT	41	866113GT	53	994380GT	81
69819GT	85	834250GT	41	866120GT	53	994420GT	79
709034GT	91	836853GT	71	866126GT	59	994600GT	95
709133GT	81	836856GT	71	866127GT	59	994630GT	43
709146GT	95	839011GT	55	866128GT	59	994830GT	53
71979GT	93	839027GT	55	866129GT	59	995050GT	49
72009GT	11, 15, 23, 27	839034GT	55	866394GT	53, 55	995110GT	53
72018GT	11	839049GT	59	866800GT	55	995300GT	75, 79
720495GT	89	839103GT	55, 57	866825GT	55	995310GT	43
72077GT	23, 25, 27, 29	839107GT	57	87722GT	85	995320GT	37
72086GT	11, 13, 15, 17, 23, 25, 27, 29	839109GT	53	890785GT	39	995380GT	53
72343GT	63, 65, 67, 69	839110GT	53	890790GT	53	995420GT	49
72348GT	61	839119GT	57	890795GT	39, 57	995490GT	45
72871GT	11, 23	839134GT	55	891520GT	39	995810GT	37, 39, 47, 49
732205PPGT	53	839149GT	57	891550GT	39	995970GT	91, 93
740455GT	97	839151GT	55	891560GT	39	996030GT	43
740620GT	39	839154GT	55	89163GT	43	996340GT	73, 77
740770GT	53	839157GT	57	894230GT	97	996380GT	39
740920GT	53	839190GT	55	89761GT	61	996920GT	77
741140GT	57	839200GT	57	89764GT	61	C21353GT	49
75144GT	47, 49	839209GT	55	898590GT	39, 57, 97	C2450108GT	91
7604GT	41	839244GT	55	930950GT	35, 47	C41100720GT	91
77055GT	11, 13, 23, 25	839246GT	55	94889GT	61	C41101100GT	95
77172	11, 13, 23, 25	840221GT	35, 37	97426GT	63, 65, 67, 69	C41135000GT	85
77172GT	11, 23	840222GT	35, 37	97427GT	61	C42200203GT	47
77183GT	11, 13, 23, 25	840376GT	41	97428GT	63, 65, 67, 69	C48300108GT	81
78390GT	43	840395GT	35	97461GT	61	C51100200GT	47
790510GT	35	84042GT	55	97473GT	63, 65, 67, 69	C51100300GT	47
790710GT	37	841200GT	43	974800GT	55	C51400301GT	47, 49
790940GT	49	841430GT	35, 37	97483GT	61	C51500200GT	47
791910GT	83	841473GT	35	97518GT	19, 21	C51600200GT	35
792750GT	39	841500GT	43	97602GT	11, 13, 15, 17	C51600600GT	35
794890GT	49	84812GT	61	97635GT	19	C51600800GT	47, 53, 85
796432GT	49	84813GT	61	97666GT	11, 13	C51601441GT	47
796436GT	49	84814GT	61	97675GT	11, 13, 15, 17	C51601442GT	47, 53, 85
796610GT	47	84815GT	61	981065GT	95	C51601444GT	73, 77
800004GT	81	84860GT	61	981120GT	49, 71, 97	C51601500GT	47, 49
80000GT	37	85069GT	61	981200GT	89	C51601451GT	47, 49
80003GT	37	85071GT	61	981450GT	71	C51601462GT	35
80103GT	93	85087GT	63, 65, 67, 69	981640GT	91	C51601520GT	47
80203GT	37	85089GT	63, 65, 67, 69	981660GT	37	C51601530GT	49
80323GT	37	85124GT	61				
		85127GT	63, 65, 67, 69				

Part Number Index (continued)

Part Number	Page
C51601570GT	85
C54100200GT	35
C54200200GT	85
C54200400GT	47, 49
C54200700GT	85
C54200800GT	35
C54201200GT	47
C54201300GT	35
C54300200GT	35
C54300400GT	35
C61100200GT	51
C61300402GT	35
C61300500GT	35
C61300501GT	35, 47, 49
C61300502GT	35, 47, 49
C61400100GT	35, 85
C83400100GT	47, 49
C90200400GT	39
CR51A102GT	35
CR54B040GT	47
CR54B050GT	47
CR56C040GT	47
CR56C050GT	47
CR58C011GT	47
CR58C012GT	47, 49
CR59B035GT	39
CR59C010GT	47
CR61C010GT	85
CR61C018GT	85
CR61C020GT	85
CR61C030GT	85
CR63A040GT	47, 49
CR64C010GT	87, 89
CR82A150GT	95
CR82A160GT	95
CR82C000GT	35
CS61A053GT	85
CS61C060GT	85
CS62A011GT	35
CS63C080GT	35
CS82A020GT	35
CU61A025GT	83
CU61A035GT	83
CU61A090GT	85
CU63A040GT	47, 49
CU63B054GT	35
R660010GT	75, 79
R661490GT	75, 79
R890065GT	39
R980245GT	95
R980300GT	95
R981095GT	61
T106193GT	75, 79
T108021GT	21
T108022GT	21
T108023GT	33
T108024GT	33
T108880GT	83
T109127GT	43
T109129GT	43
T109414GT	81
T109757GT	73
T110632GT	43
T111700GT	71
T113641GT	75
T113642GT	75, 79
T113644GT	75, 79
T114064GT	75

The Part Description Index is an alphabetical index of all part descriptions included in this manual. The index shows what page(s) the part is used on.

*
**COUPLER SURGE 2" BALL,6000#.....43

A

AIR BREATHER PRE-CLEA.....97
AIR CLEANER BRACKET, D1105.....59
AIR FILTER,ASSEMBLY.....63, 65, 67, 69
ALTERNATOR,15A,PERKINS 103.10.....63,
65, 67, 69
ALTERNATOR,KUBOTA*.....55
AS-BRACKET,CS,OUTRIGGER MNT.....37
AS-BRACKET,RS,OUTRIGGER MNT.....37
AS-HALF CROSSARM.....89
AS-RING HITCH FOR ADJ HT.....43
AS-RING HITCH MOUNT.....43
AS-WELDMENT, CRADLE.....47, 49
AS-WELDMENT, PANEL, REAR, RL4.....49
AS:ENGINE RISER 3.25 HIGH.....53
AXLE ASSY,2200#,STRAIGHT.....41
AY,DSL FUEL/WATER SEPARATOR.....97

B

BALL, 2" ZINC.....43
BALLAST ASSY,50HZ,MH,1000W.....45
BALLAST ASSY,60HZ,MH,1KW,120V.....45
BALLAST MH 50HZ 120V/.....45
BALLAST/CAP MH60Hz120.....45
BASE,BOOM/TOWER RL4.....35
BASE,CONTROL BOX,AL4 CONS.....73
BASE,TRAILER RL4.....35
BATTERY.....35
BATTERY HOLD DOWN ROD.....35
BATTERY,12V,700CCA.....35
BEARING, MARATHON GEN.....71
BEARING, ODE.....71
BEARING,ALXL,840377,841050.....41
BEARING,BRKT,ODE(5412).....71
BELT-FAN, PERKINS (103.10).....61
BKT,FILTER MNT,PERKINS 403D-11G.....63,
65, 67, 69
BODY,AIR CLEANER,KUBOTA.....59
BOLT 3/4 -10X 5 Z G5.....35
BOLT, HANDLE.....93
BOLT,AXLE,3/16X3 W/7/16-20STEP.....35
BOLT,CARRIAGE 3/8-16X.75 Z KEG.....49
BOLT,M10-1.25 x 35,W/HOLE.....53
BOLT,TEE 1/2-20 X 4.5.....85
BOOM,2" SECTION.....85
BOOM,3" SECTION.....85
BOOM,4" SECTION.....85
BOX,INSTRUCTION STORAGE.....47
BOX,JUNC,LIGHT TWR,4 CONN.....81
BRACKET GENIE FXTRYA.....89
BRACKET FIRE EXT 20LB RL4.....95
BRACKET TIRE MOUNT SPARE.....95
BRACKET W/BALL,GAS SPRING.....49
BRACKET, BEARING ODE (5411).....71
BRACKET, FUEL FILTER.....57
BRACKET, SOCKET MOUNT.....93
BRACKET,E-BOX,AUTOSTART,AL4.....73
BRACKET,GENERATOR MOUNT.....71
BRAKE DISK,.5 BORE,K-1550 (7571GT).....51
BREAKER 1P 15A 277VA.....79
BREAKER,15A,120VAC 1P,CSA.....75

BREAKER,20A MINI,120VAC 1P,CSA.....75,
79
BREAKER,30A 250VAC 2P,CSA.....75, 79
BRKT,E-BOX HANGER,SHORT.....73
BRKT,SOCKET MOGUL FO.....91
BRKT,TRUNION.....91
BUMPER, DOOR, RUBBER.....49
BUMPER,RUBBER-1 X 1.25.....55
BUSHING, .875 X.507 X 2.04.....37
BUSHING, 630DX.328ID .375T.....55
BUSHING, OUTRIGGER, MAIN.....37
BUSHING, SMALL PINION, FULTON
(6199GT).....51

C

CABINET FRONT PANELRL.....47
CABINET UNDERDOORPANE.....47
CABINET UNDERDOORPANE***.....47
CABLE GUARD FOR 7P CONN(663400).....81
CABLE KEEP:KIT (BRACKET TYPE)*.....51
CABLE SET,BATTERY,24" RED&BLK.....81
CABLE, POWER, 10/4 48".....81
CABLE,1/16",7X7 480LB.....35
CABLE,EXT,LOWER, 3/16 X 11'.....83
CABLE,EXT,UPPER, 3/16 X 19'.....83
CABLE,TOWER TILT,25 IN RL4.....35
CAM,DOOR HANDLE,RL4000.....47
CAP FUEL RL4/AL4 WITH TETHER.....39
CAP, OIL FILLER.....61
CAP,RADIATOR,AL,KUBOTA DF-752.....53
CAP,RADIATOR,KUBOTA D905.....53
CAP-RADIATOR,PERKINS (103.10).....63, 65,
67, 69
CAPACITOR 24uF MH 60H.....45
CAPACITOR, 8KW GENERATOR,5420.....71
CAPACITOR,45 MF***OVAL.....71
CAPACITOR,50HZ MH,26MF(BALLAST).....45
CAPACITOR-ROUND 25MF.....71
CASTING, FIXTURE QUICK CONNECT.....91
CHAIN, SAFETY, SNAP HOOK.....35
CHAIN,SAFETY,3000#,3/8 X 30 IN.....35
CLAMP 7/16 TO 25/32.....39
CLAMP,CAPACITOR.....71
CLAMP,HOSE.....53, 55
CLAMP,HOSE,1.00.....63, 65, 67, 69
CLAMP,HOSE,KUBOTA WG750.....55
CLAMP,LENS (C41100720).....91
CLEVIS PIN 1/2X1.5 SS.....83, 85
CLEVIS PIN,4.6X60MM.....93
CLEVIS,CYLINDER END.....37
CLIP,HITCH PIN.....35, 47, 49
CNTRL BOX 4MH 60HZ 4WIRE.....75
CNTRL BOX,60HZ,4 LIGHTS,SYMBOL.....75
COIL CORD BULKHEADPLA.....47, 49
CONN,STRAIN RELIEF,1/2 NPT.....91
CONNECTOR 12P FEMALE.....75, 79
CONNECTOR 2 SCREW 1.25T-B.....75, 79
CONNECTOR 2 SCREW 3/4.....75, 79
CONNECTOR 3P FEMALE RECEPTACLE...81
CONNECTOR 5P MALE RECEPTACLE.....45
CONNECTOR,7-POLE,TLITE,RND PIN.....81
CONNECTOR,BLADE,POS,TAILT, 7P.....81
CONNECTOR,TAIL LIGHT,6 POLE.....81
CONNECTOR, TAILLIGHT,4 PIN.....81
CORD SET MALE 5FT. 3P.....91, 93
COSMETIC,TEREX LOGO-LG.....11, 23, 25

COTTER PIN 1/8X1 SSBIN STOCK.....37, 83,
85
COUPLER,BALL,2" CLASS II.....43
COVER,AIR CLEANER,KUBOTA.....59
COVER,COIL CORD.....85
COVER,GLASS/LENS RETAINER CLIP.....93
COVER,JUNC BOX W/GSKT, 2 GANG.....81
CROSSARM, RECT FIXTURE TOWER.....87
CROSSHEAD,RL4.....87, 89
CUSHION,TWR SP,1.25"X0.75"RL4.....47, 49

D

DEC KIT,RL4,SYM,FROM SN 1789.....25
DEC KIT,RL4,WRD,FROM SN 1789.....13
DEC KIT,TML4,SYM,FROM SN 1789.....25
DEC KIT,TML4,SYM,TO SN 1788.....23
DEC KIT,TML4,WRD,FROM SN 1789.....13
DEC KIT,TML4,WRD,TO SN 1788.....11
DECAL - 4 (10/CARD BRADY...11, 13, 15, 17,
23, 25, 27, 29
DECAL KIT,RL4,SYM,TO SN 1788.....23
DECAL KIT,RL4,WRD,TO SN 1788.....11
DECAL KIT,SYMBOL,COMPLETE.....27, 29,
31, 33
DECAL KIT,WORD,COMPLETE.....15, 17, 19,
21
DECAL, AL/RL CONTROL BOX DC.....13
Decal, Instruction, Lamp Disposal.....19, 21
Decal, Label, Ground.....15, 17, 27, 29
DECAL, LABEL, RAISE/LOWER SYMB.....23,
27
DECAL, MAST STOW INSTRUCTIONS.....11,
15
DECAL, SYMBOL - READ THE MANUAL...23,
25, 27, 29
DECAL, WARNING BURN HAZARD.....21
DECAL,AL/RL,CONTROL BOX,AC.....13
DECAL,BODILY INJURY SYMBOL.....31, 33
DECAL,BURN HAZARD SYMBOL.....23, 25,
27, 29, 31, 33
DECAL,CAUTION TIGHTEN.....19
DECAL,COLLISION HAZARD SYMBOL.....23,
25, 27
DECAL,CONTROL BOX AC CONSOL.....11,
23, 25
DECAL,CONTROL BOX DC CONSOL.....11,
23, 25
DECAL,COSMETIC TEREX,AL4,AL4L.....13,
17, 25, 29
DECAL,COSMETIC, GENIE LOGO.....13, 17,
25, 29
DECAL,COSMETIC,GENIE TML4000.....11,
15, 23, 27
DECAL,COSMETIC,RL4000.....11, 13, 15, 17,
23, 25, 27, 29
DECAL,COSMETIC,TEREX,4X40-R.....15, 27
DECAL,DANGER,BATTERY SAFETY***.....15,
17
DECAL,DANGER,ELEC HAZARD,READ.....19
DECAL,DANGER,ELECTROCUTION
HZD.....11, 13, 15, 17
DECAL,DANGER,GENERAL SAFETY.....11
DECAL,DANGER,HAZARD VOLTAGE.....11,
13, 15, 17, 21
DECAL,DANGER,NO SMOKING.....11, 13, 15,
17

Part Description Index (continued)

- DECAL,DANGER-BURN/CO HAZARD.....15, 17
 DECAL,DIESEL.....11, 13, 15, 17, 23, 25, 27, 29
 DECAL,EXPLOSION HAZARD.....11, 13, 15, 17
 DECAL,INSTRUCTION-SETUP.....11
 DECAL,KUBOTA ENGINE SPECS.....15, 17
 DECAL,LABEL,ARROW.....23, 25, 27, 29
 DECAL,LABEL,BURN/CO2 HAZARD.....27, 29
 DECAL,LABEL,LIFTING EYE.....11, 13, 15, 17, 23, 25, 27, 29
 DECAL,LABEL,NO SMOKING,SYMB...23, 25, 27, 29
 DECAL,LABEL,POWER OUTLET,120V.....11, 23
 DECAL,LABEL,TRANSPORT TIEDOWN*..11, 13, 15, 17, 23, 25, 27, 29
 DECAL,LABEL-CRUSH HAZ,TOWER.....27, 29
 DECAL,LABEL-ELEC HAZ VOLTAGE.....31
 DECAL,LABEL-ELEC HAZ,DISTANCE.....23, 25, 27, 29
 DECAL,LABEL-ELEC HAZ,SERV MAN.....23, 25, 27, 29, 33
 DECAL,NOTICE,RAISE/LWR WINCH.....11
 DECAL,OPERATING INSTRUCTIONS.....11, 13
 DECAL,PERKINS ENGINE SPECS.....15, 17
 DECAL,SYMBOL-BATTERY SAFETY.....27, 29
 DECAL,TIGHTEN FIXTURES SYMBOL.....31
 DECAL,TIP HAZARD SYMBOL.....23, 25
 DECAL,TIRE SPECIFICATION.....11, 13, 15, 17
 DECAL,TOW SPEED SYMBOL.....23, 25
 DECAL,WARN,CRUSH HAZARD HAND.....11, 13, 15, 17
 DECAL,WARN,EXPLSION/BURN HAZ.....11, 13, 15, 17
 DECAL,WARN,PROTECTIVE BARRIER....19, 21
 DECAL,WARN,READ MANUAL.....11, 13
 DECAL,WARNING BURN HAZ.....11, 13, 15, 17, 19
 DECAL,WARNING COLLISION HAZ.....11, 13
 DECAL,WARNING TIP-OVER HAZ.....11, 13
 DECAL,WARNING TOW SPEED.....11, 13
 DECAL,WARNING,ALL OUTRIGGER.....35
 DECAL,WARNING,CRUSH HZD,TOWER...15, 17
 DECAL,WARNING,CRUSHING.....11, 13, 15, 17, 23, 25, 27, 29
 DECAL,WARNING,CRUSHING HAZARD...23, 25, 27, 29
 DECAL,WARNING,TOW/TRANS HAZARD..11
 DECAL- 1 (10/CARD BRADY.....11, 13, 15, 17, 23, 25, 27, 29
 DECAL- 2 (10/CARD BRADY.....11, 13, 15, 17, 23, 25, 27, 29
 DECAL- 3 (10/CARD BRADY.....11, 13, 15, 17, 23, 25, 27, 29
 DECAL- SYMBOL FOR GROUND.....35
 DECAL-ATTN ALL JACKS MUST BE.....35
 DIODE,MARATHON.....71
 DIPSTICK TUBE,PERKINS(403C-11).....61
 DIPSTICK,OIL,KUBOTA.....55
 DIPSTICK,STRAIGHT SHORT.....61
 DOOR CURBSIDERL4-B NE.....47
 DOOR RDSIDE RL4-B4 SN R410-100.....47
 DRIVE DISC(C-107) MARATHON.....71
- E**
 E CLIP,875 IN.SL LEG.....37
 EA-ELEC.BOX 4MH 50HZ NO RC.....79
 EA-WIRE HARNESS,PERKINS,DC.....81
 ELEMENT,AIR CLEANER,KUBOTA.....59
 ELEMENT,FUEL FILTER,KUBOTA.....57
 ENG FOOT/RAD SUPPORT, ROADSIDE.....53
 ENGINE ACCESSORY TEMP SENDER.....57
 ENGINE FOOT/RAD SUPPORT,CURBSD.....53
 ENGINE RISER,2/75"H,FOR 1/2BLT.....53
 ENGINE,KUBOTA,D1105 PAK.....53
- F**
 FAN.....61
 FAN PULLEY.....61
 FAN,PUSHER,KUBOTA 15263-12370.....55
 FENDER,STEEL,RL4.....47, 49
 FIBERGLASS PAD,RECT LAMP FIXT.....93
 FILM,POLY,CLEAR,4.5 X 8.75.....11, 13, 23, 25
 FILTER, OIL-PERKINS (103-10)**.....61
 FILTER,30 MICRON FUEL-WATER.....97
 FILTER,FUEL,KUBOTA.....57
 FILTER,FUEL,KUBOTA,W/O BRKT.....53
 FILTER,FUEL,PERKINS.....61
 FILTER,IN-LINE,FUEL,5/16".....39
 FILTER,OIL,KUBOTA.....57
 FITTING,PICKUP & RETURN.....39
 FITTING,STRAIGHT ADAPTER.....39
 FIXTURE ASSEMBLY 1000W RECT.....93
 FIXTURE HOUSING BASE,1KW RECT.....93
 FIXTURE LIGHT MH BLACK COATED.....91
 FIXTURE RECT TML 1000W.....93
 FORMING, LIGHT PITCH ADJ.....89
 FP-BALLAST BOX BOTTOM.....45
 FP-BALLAST BOX FRONT.....45
 FP-BALLAST BOX REAR.....45
 FP-BALLAST BOX TOP.....45
 FP-BATTERY HOLD-DOWN ROD.....35
 FP-BATTERY HOLDOWN ANGLE.....35
 FP-BRACKET,E-BOX HANGER.....77
 FP-CONTROL BOX REC BACK.....77
 FP-CONTROL BOX REC BOTTOM.....77
 FP-CONTROL BOX REC FRONT.....77
 FP-CONTROL BOX,BODY 50HZ.....77
 FP-CONTROL BOX,FRONT 50HZ.....77
 FP-CONTROL BOX,REAR 50HZ.....77
 FP-CONTROL BOX,TOP.....73, 77
 FP-ENG MNT RT FOOT CS PERK T4.....61
 FP-ENG MNT RT FOOT RS PERK T4.....61
 FP-GEN MNT BAR,MAR SM HOLES.....71
 FP-GEN MOUNT BAR RL PERK T4.....71
 FP-GENSET SPACER.....53, 71
 FP-GENSET SPACER P.....53
 FP-STRIKER PLATE,TML CS.....37
 FP-STRIKER PLATE,TML RS.....37
 FRAME SPACER,K-1550 (7584).....51
 FUEL FILTER ASSEMBLY.....61
 FUEL INJECTOR.....61
 FUEL TANK ASSY,PLASTIC,30G,RL4.....39
 FUEL TANK SUPPORTBRKT. RL4-B.....39
 FULTON HANDLE FOR JACK.....35, 37
 FUSE HOLDER,ATC BLADE,#16.....97
 FUSE,ATC BLADE,10A.....97
- G**
 GASKET (52532) OIL DRAIN, D905.....55
 GASKET, FUEL HEATER.....97
 GASKET, HOUSING REFLECTOR BASE.....91
- GASKET, THERMOSTAT, PERKINS.....63, 65, 67, 69
 GASKET,EXH FLANGE-FORD/PERKINS...63, 65, 67, 69
 GASKET,EXHAUST MANIFOLD,D905.....55
 GASKET,FUEL FILTER.....97
 GASKET,HOUSING BASE, TOPFRAME.....93
 GASKET,INJECTION PUMP.....57
 GASKET,LIGHT SOCKET.....93
 GASKET,MUFFLER,KUBOTA D905/11.....55
 GASKET,RECTANGULAR GLASS/LENS....93
 GASKET,SOLENOID,KUBOTA.....57
 GASKET,SOLENOID,PERKINS 72350.....61
 GASKET,STRAIN RELIEF,1/2.....91
 GASKET,WATER COLLECTOR.....97
 GASKET,WATER PUMP.....55
 GASKET,WATER PUMP, 403C-11.....61
 GASKET-DRAIN PLUG,ENG OIL PAN.....55
 GASKET-EXHAUST MANIFOLD/PERKIN...63, 65, 67, 69
 GASKET-OIL PAN,PERKINS 103.10.....61
 GENERATOR,6.5KW,220V,50HZ,MAR.....71
 GENERATOR,6KVA,240VAC,60HZ.....71
 GENERATOR,8KW,240V,60HZ,MAR.....71
 GLASS LENS.....93
 GLASS/LENS,RECTANGULAR PSI.....93
 GLOW PLUG, 403C-11.....61
 GREASE CAP, AXLE, 3000LB.....41
 GREASE SEAL.....41
 GRIP,HUBBLE 07401010.....81
 GROMMET ASSEMBLY.....93
 GROUND CLAMP 3/4 MW 2.....95
 GUARD,FAN,KUBOTA.....53
- H**
 HAMMERBLOW HANDLE FOR JACK.....35, 37
 HAMMERBLOW SPINDLE NUT,AXLE.....41
 HANDLE, ADJUSTMENT.....93
 HANDLE,CHROME,5.75".....49
 HANDLE,T-TYPE,BLACK W/KEY.....47
 HASP CABINET DOOR5584L4/5.....49
 HEATER, TOPLOAD FUEL, 100W/12V.....97
 HINGE,PIANO,1.5"W X 51.75"L.....47
 HINGE,STAINLESS STEEL,BLACK.....49
 HITCH 24 HEIGHT.....43
 HITCH PINTLE RING 3 I.....43
 HITCH RING,COMBO,16"LENGTH.....43
 HITCH, ADJ HEIGHT BOLT ON.....43
 HITCH,2.5"RING,6 TON.....43
 HITCH,3"RING,6TON.....43
 HITCH,RING,BOLT-ON 2.5" ID.....43
 HOLDER SPRING ACTION5.....95
 HOLDER, LITERATURE.....49
 HOSE FITTING PIPE/BAR.....39, 57, 97
 HOSE FITTING PIPE/BARB 1/8MX.....39
 HOSE, FUEL FILTER -INJ., 403D.....61
 HOSE, INTAKE, KUBOTA D1105.....59
 HOSE, WATER PUMP (PERKINS 404).....61
 HOSE,FUEL LEAK-OFF,403D-11G.....61
 HOSE,FUEL,1/4"ID,PUSH LOK,200#.....53
 HOSE,FUEL,1/8"ID.....39
 HOSE,FUEL,5/16"ID.....39, 57
 HOSE,RADIATOR,LOWER,KUBOTA.....53
 HOSE,RADIATOR,PERKINS,TML.....63, 65, 67, 69
 HOSE,RADIATOR,UPPER PRKNS,TML.....63, 65, 67, 69
 HOURMETER,DIGITAL,RECTANGULAR...75, 79

HOUSING, FLYWHEEL, 403C-11.....63, 65, 67, 69
 HOUSING, OUTRIGGER RL4.....35
 HUB SPACER.....71

I

IGNITION SWITCH, LEVER OPR.....75, 79
 ISOLATOR, ENGINE MOUNT.....53, 71
 ISOLATOR, ENGINE, 390LB.....53
 ISOLATOR, ENGINE, 70D.....61

J

JACK BRACKET, WELD ON SWIVEL.....35, 37
 JACK, MECHANICAL, 3000LB.....35, 37
 JUMPER-GLOW PLUG.....57

K

KEYS FOR CH751 LOCK PAIR.....47
 KIT COIL CORD W JUNCTION BOX.....81
 KIT COIL CORD WO/ JUNCTION BOX.....81
 KIT, COIL CORD HW.....75, 79
 KIT, HUBS, BRINGS & SEALS, 116949GT.....41
 KIT, U-BOLT, PLATE, & NUTS, 116949.....35
 KIT: OIL DRAIN W/ VALVE, KUBOTA.....55
 KUBOTA 01123-50820 BOLT.....55, 57
 KUBOTA 15111-72200 WASHER.....53
 KUBOTA 15263-12370BAND PIPE.....59
 KUBOTA 15263-12370CUSHION.....53
 KUBOTA 16221-73270GASKET.....55
 KUBOTA 66711-54520COV.....55
 KUBOTA BELT COVER.....55
 KUBOTA DYNAMO STAY.....55
 KUBOTA EXHAUST MANIFOLD.....55
 KUBOTA FLANGE BOLT.....55
 KUBOTA GLOW PLUG.....57
 KUBOTA HEAD COVER GASKET.....55
 KUBOTA HOSE, D905, D1105.....53, 55
 KUBOTA INJECTOR PUMP, D1105.....57
 KUBOTA KIT, HOLDER, NOZZLE.....57
 KUBOTA NUT.....55
 KUBOTA O-RING.....55
 KUBOTA OIL FILLER PLUG, V1305.....55
 KUBOTA OVER FLOW PIPE.....57
 KUBOTA OVERFLOW PIPE.....57
 KUBOTA SNAP PIN.....53
 KUBOTA WATER PIPE.....53, 55
 KUBOTA WATER PIPE 16241-73350.....55

L

Label - Burn Hazard.....23, 25, 27, 29
 LABEL, BLANK, 4X5, CHROME POLY***.....11, 13, 23, 25
 LABEL, TRAVEL LOCK.....15, 17
 LAMP BRACE, RECT HOUSING.....93
 LAMP MH 1000W BT37HOR.....93
 LAMP MH 1000W M1000/U SYL.....91
 LATCH HEAVY DUTYSPRING.....35
 LEG, OUTRIGGER RL.....35
 LENS GASKET FOR LIGHT FIXTURE.....91
 LENS W/GASKET (C41100720).....91
 LENS, LIGHT (57449).....93
 LIGHT DOME 12V W/SWITCRL4.....95
 LIGHT FIXTURE, MH, AL4, RL4, AL5.....91
 LIGHT INDICATOR 12VRED.....75, 79
 LIGHT SOCKET, PSI RECT 5 KV.....93
 LIGHT, LICENSE TAG W/BACKET.....47, 49

LOCKNUT, CONDUIT 3/4CSA APPVD.....47, 49
 LOCKNUT, CONDUIT, 1/2 CSA APPVD.....91

M

MA-CHAIN SAFETY 3000LB 3/8X30".....35
 MA-GROUND ROD LT.TWR.....95
 MA-TOWER ASSY W/CABLES, RL4 (C116810).....83
 MANIFOLD-EXHAUST, PERK (103.10).....63, 65, 67, 69
 MANUAL BOX W/DECALS***.....47
 MARATHON SUPPRESSOR/VARISTOR.....71
 MOUNT FRONT TIRE-SPAR.....95
 MUFFLER BRACE.....53
 MUFFLER, PERKINS, RL-4.....63, 67, 69
 MUFFLER, CATALYTIC, PERKINS 403C.....63, 65
 MUFFLER, KUBOTA.....55

N

NIPPLE CHASE 1/2CSA APPVD.....47, 49
 NIPPLE CHASE 3/4CSA APPVD.....47, 49
 NUT FLANGE 3/8 -16.....35
 NUT CLIP 1/4 -20X3/4.....47, 53, 85
 NUT HEX 5/8-11NCGRADE2 ZP.....43
 NUT LOCK NYLON INSERT.....89
 NUT LOCK NYLON INSERT 3/8.....49, 97
 NUT LOCK NYLON INSERT, 10-32JAM.....49
 NUT, LOCK, NYL 10-24NC 18-8 SS.....95
 NUT, NYLOCK 7/8-9 Z.....35
 NUT, AXLE SPRING 2000NO.....35
 NUT, CLIP, 3/8-16X.75.....35
 NUT, EXHAUST MANIFOLD.....55
 NUT, FLANGE, 1/4-20.....47
 NUT, FLANGE, 5/16-18 Z.....47, 49
 NUT, FLG-LRG, 3/8-16, YZ.....85
 NUT, HEX, 1-8.....43
 NUT, HEX, JAM, 1/2-13.....51
 NUT, LOCK, 3/8-16.....51
 NUT, LP NYLOCK, 5/8-11.....37
 NUT, NYLOCK, 1/2-13.....37, 51, 71, 85, 95
 NUT, NYLOCK, 1/2-13 GR2.....35, 43, 53, 87, 89
 NUT, NYLOCK, 1/4-20.....87, 89
 NUT, NYLOCK, 1/4-20 GR2.....35
 NUT, NYLOCK, 3/4-10 ZP.....35, 87, 89
 NUT, NYLOCK, 5/16-18.....55, 95
 NUT, NYLOCK, 5/8-11.....43
 NUT, NYLOCK, 7/8-9.....85
 NUT, WHEEL, 1/2 X 20.....41
 NUTS, EXHAUST.....63, 65, 67, 69
 NUTSERT 5/16-18 UNCP/.....39
 NUTSERT, 1/4-20.....73, 77
 NUTSERT, 8-32 (833543).....91

O

O-RING.....71
 O-RING, LIFT PUMP, (PERKINS 404).....61

P

PANEL TOP-AL HINGERL.....47
 PANEL, DOOR, RL4.....49
 PANEL, FRONT, CABINET, RL4.....49
 PANEL, TOP, CABINET, RL4.....49
 PANEL, UNDERDOOR, CURBSIDE.....49
 PANEL, UNDERDOOR, ROADSIDE.....49
 PANEL, CNTL BOX FACE, CSA.....73

PANEL, REAR, CTRL BOX (186540).....73
 PERKINS 135326205AIR.....63, 65, 67, 69
 PIGTAIL, FUEL SOLENOID, KUBOTA.....81
 PIN, 0.75 X 7' ZINC.....35, 47, 49
 PIN, LYNCH.....43
 PINCOTTER 0.125 1.750.....41
 PINION GEAR AND DISC K-1550 (7590GT).....51
 PINION SHAFT.....51
 PIPE FITTING STR ELBO.....39
 PIPE PLUG 1/4 GALV.....97
 PIPE, INJECTOR 1, 403C-11.....61
 PIPE, INJECTOR 1, D905, D1105.....57
 PIPE, INJECTOR 2, 403C-11.....61
 PIPE, INJECTOR 2, D905, D1105.....57
 PIPE, INJECTOR 3, 403C-11.....61
 PIPE, INJECTOR 3, D905, D1105.....57
 PLATE, SIDE, COMBO HITCH, BOLT-ON.....43
 PLUG, ENGINE OIL, D1105.....55
 PLUG, ENGINE OIL DRAIN, D-905***.....55
 PLUG, HEX SOCKET, 3/8 MPT.....39
 PLUG, OIL DRAIN, PERKINS 403D-11G.....61
 PROP, DOOR, TELESCOPIC, 10".....47
 PULLEY, CRANK, 403C-11.....61
 PULLEY, FAN, KUBOTA, D-905, GS68.....55
 PULLEY, STEEL, 3".....35, 85
 PUMP, FUEL, 12VDC.....39
 PUMP, LIFT (FUEL) PERKINS(54555).....61
 PUMP, PRIMER, PERKINS***.....39
 PUMP, WATER.....61

R

RACE, INNER.....41
 RACE, OUTER.....41
 RADIATOR HOSE, KUBOTA.....53
 RADIATOR, KUBOTA, D905 & D1105.....53
 RADIATOR, PERKINS, TML.....63, 65, 67, 69
 RATCHET GEAR, K-1550 1/2" I.D. (6777GT).....51
 RATCHET KIT (K-1500, K-1550)**.....51
 RECEP 30A 120/240V 4 POLE.....75
 RECEP 30A 20V 3POLE.....75
 RECEPTACLE 20A 120V DUPLEX GFI.....75
 Ref, GENERATOR.....59
 Ref, GENERATOR FASTENERS.....59
 REFLECTOR & LENS ASSY STD FIX.....91
 REFLECTOR (C41100720).....91
 REFLECTOR BASE.....93
 REFLECTOR LAMP SIDE.....93
 REFLECTOR SIDE.....93
 REGULATOR, 12V-PERKINS 103.10.....63, 65, 67, 69
 RELAY 12V DC 30A NO OR.....75, 79
 RETAINER CLIP, GLASS/LENS.....93
 RETAINING RING (6200GT).....51
 RING, REINFORCING (C41100720).....91
 RIVET POP 1/4 X1/2.....85
 RIVET POP 1/8X.390 GR.....91
 RIVET, POP, SS, 3/16"X1/2" BLIND.....47, 49, 73, 77
 ROLL PIN 1/4 X1-5/8.....37

S

SCREW 1/2 -13 X 2.....85
 SCREW #10-24NCX1/2RD.....95
 SCREW #10-32NFX3/4 LO.....49
 SCREW, 10X1.5X35MM GR8.8.....47
 SCREW 1/2-13 X 1.5 IN.....37

Part Description Index (continued)

SCREW 1/2-13NCX1-1/2H.....95	SPACER, SLEEVE,.63 X .75 X .50.....37	WASHER,CLAMP,RUBBER(833543).....91
SCREW 1/2-13NCX4-1/2H.....37	SPACER, STRUT.....37	WASHER,FLAT,.640X1.160X.09.....37
SCREW 1/2-13NCX5-1/2H.....43, 95	SPACER, TOWER, RL4.....49	WASHER,FLAT,1.000,HARDENED.....43
SCREW 1/2-13X 1 Z G5.....85	SPACER,BALLAST,STACKED.....45	WASHER,FLAT,1/2 SS 18-8 BIN.....35
SCREW 1/4-20NCX5/8 HW.....37, 39, 47, 49	SPACER,PINION SHAFT (32890GT).....51	WASHER,FLAT,3/4 ZP.....87, 89
SCREW 3/8-16X3/4 S/S HEX.....89	SPACER,SIDE,COMBO,HTCH,BOLT-ON.....43	WASHER,FLAT,7/8 Z.....35
SCREW ALLENHEX 1/2 -13X 1.5.....47, 49	SPIDER, MH/HPS.....91	WASHER,FLAT,SAE 1/4,ZINC.....47, 49
SCREW CARRIAGE 1/4 -20X 3/4 Z.....47	SPRING, TORSION,.875 ID X .50.....37	WASHER,FLAT,SNUB 1/2X2-3/4 ZN.....53, 61, 71
SCREW FLANGE 1/2 -13X.....35	SPRING, LAMP RETAINER.....93	WASHER,FLAT,USS,1/2",Y.....43, 95
SCREW FLANGE 1/4 -20X.....47, 53, 85	SPRING,COIL,1/2 X 2.25.....37	WASHER,FLAT,USS,1/4"Y.....87, 89
SCREW FLANGE 3/8 X1.5ZP***.....49	SPRING,GAS,16",60LBS.....49	WASHER,FLAT,USS,3/8",Y.....89
SCREW FLANGE 3/8X 3/4.....85	SPRING,KICKOUT,BOOM/TOWER RL.....85	WASHER,FLAT,USS,5/8",Y.....43
SCREW FLANGE 5/16 -18X1.....47, 49	SPRING,LEAF FOR AXLE, 4 PLY.....35	WASHER,FLAT,USS,7/8",Y.....85
SCREW,FLANGE,1/4-20X1/2" PATCH.....73, 77	STARTER, PERKINS, 403D.....63, 65, 67, 69	WASHER,LOCK,#6 SS.....79
SCREW,HH SLOT,1/4 X 0.75.....45	STARTER,KUBOTA,D1105/905.....55	WASHER,LOCK,.375.....89
SCREW,HH SLOT,8-32X1.....91	STRUT BAR, OUTRIGGER.....37	WASHER,LOCK,M10 ZP.....53
SCREW,HHC,1/2-13 X 1.25.....91	STUD,EXHAUST MANIFOLD.....55	WASHER,LOCK,STAR 3/4 E.....87
SCREW,HHC,1/2-13 X 1.5.....91	STUDS,EXHAUST.....63, 65, 67, 69	WASHER,PLAIN,1".....41
SCREW,HHC,1/2-13 X 2 G.....35	SUPPORT, PLASTIC, 1 X 2.5 X 3.5".....47, 49	WASHER,RUBBER SEAL.....97
SCREW,HHC,1/2-13 X 3.5 GR8.....61, 71, 87, 89	SVC KIT, FRICTION DISC K/KX.....51	WASHER,SHIM,1.50 X .890 X .09.....37
SCREW,HHC,1/2-13 X 4 G.....43	SVC KIT,TAILLIGHTS,RL4/TML.....81	WASHER,UHMW,13/16 IDX3 ODX1/8.....89
SCREW,HHC,1/2-13 X 4.5,GRD.8.....43	SWITCH PUSH-BUTTON W/BOOT.....75, 79	WATER COLLECTOR AY.....97
SCREW,HHC,1/2-13 X 5.5,GRD.8.....43	SWITCH,LOW OIL PRESS,KUBOTA.....55	WATER OUTLET, VERTICAL.....63, 65, 67, 69
SCREW,HHC,1/2-13 X 6.....43	SWITCH,OIL PRES,PERK 403D-11G.....61	WATER PUMP ASSY,KUBOTA.....55
SCREW,HHC,1/2-13 X 6 GR5 ZP.....43	SWIVEL,BOOM RL4.....85	WELDMENT, OUTRIGGER HANDLE.....37
SCREW,HHC,1/2-13 X 6.5.....53		WELDMENT, PANEL, REAR, RL4.....47, 49
SCREW,HHC,1/2-13X4,GR8.....71	T	WELDMENT, STRUT GUIDE***.....37
SCREW,HHC,1/2-13X7 GR5 YEL.....53, 71	T-HANDLE.....91	WELDMENT,OUTRIGGER CS.....37
SCREW,HHC,1/4-20 X 1.....87, 89	TAIL PIPE, KUBOTA.....55	WELDMENT,OUTRIGGER RS.....37
SCREW,HHC,3/8-16 X 1.25.....71, 97	TANK,RECOVERY,COOLANT,KUBOTA.....53	WHEEL/TIRE ASSY,13",175/80 LRB.....35, 95
SCREW,HHC,3/8-16 X 1.5.....71	TERM RING,#10 NYL INS 12/10.....81	WINCH BRACKET, DRUM BOLT LOCK (31946).....51
SCREW,HHC,3/8-16 X 3.75.....35	TERMINAL BLOCK.....71	WINCH HANDLE-O.A.LENGTH-11".....51
SCREW,HHC,3/8-16 X 5.5 GRD 8.....51	TERMINAL BLOCK,MARATHON	WINCH PINION PLATE, K-1550 (7591GT)...51
SCREW,HHC,3/8-16 X 6.....51	GENERATOR(85206).....71	WINCH,W/HNDL,5.1:1,1500LBS.....51
SCREW,HHC,5/16-18 X 6.....89	TERMINAL RING NYL INS.....95	WING NUT, FIXTURE,RL4,AL4,AL5.....87
SCREW,HHC,5/16-18X.75,GR8,Y.....71, 95	TERMINAL STRIP,CE.....91	WIRE 8 AWM-MTW GREEN.....95
SCREW,HHC,5/8-11 X 2.5.....37, 43	THERMOSTAT.....55	WIRE HARN,DC,IN CTRL BOX,2006.....81
SCREW,HHC,5/8-11X4.50,GR8,Y.....43	THERMOSTAT COVER.....55	WIRE HARN,ENG,KUBOTA,DC,2006.....81
SCREW,HHC,M10X1.25 X 35MM GR 8.....53	THERMOSTAT,PERKINS 403D-11G.....63, 65, 67, 69	WTHRSRIP, 1/4" X 1/2"W.....35, 47
SCREW,HHC,M12X1.25X30MM,GR8.8.....61	THIMBLE WIRE ROPE 3/16.....83	
SCREW,INDENTED HEX,10-24 X .75.....93	TONGUE W/JACKBRKT B-O-H.....35	Y
SCREW,M8 X 35MM.....55	TONGUE, RL/TML.....35	YOKE & BASE PIN ASSEMBLY.....35
SCREW,PHILLIPS,PHM,8-32 X .5.....75	TOP FRAME,HOUSING BASE.....93	YOKE,PSI RECT.LIGHT FIXTURE.....93
SCREW,PHM,10-16 X 3/4.....73, 77	TUBE, SPACER.....89	
SCREW,PHM,10-24 X 5/8.....91		
SCREW,PHM,6-32 X .25.....75, 79	V	
SCREW,PHM,8-32X3/8.....91	V-BELT,KUBOTA.....55	
SCREW,RH,6-32 X 5/8.....81	VALVE COVER BREATHER.....61	
SCREW,RHM,6-32X5/8.....91	VALVE COVER, D905.....55	
SEAL, OIL FILLER CAP.....61	VALVE,AIR CLEANER,KUBOTA.....59	
SENSOR,WATER TEMPERATURE.....63, 65, 67, 69	VALVE,PLASTIC DRAIN.....97	
SERIAL LABEL,BLANK,4X8,CHROME*.....11, 13, 23, 25	VIBRATION MOUNT,35".....53	
SERVICE KIT,PINION SHAFT-K1550 (1256081).....51		
SHACKLE,AXLE,4-5/8" LONG.....35	W	
SLEEVE,CABLE,1/16".....35	WASHER FLAT #10 STAINLESS.....95	
SLEEVE,OVAL,3/16",ALUMINUM.....83	WASHER FLAT 1/2ZP.....35, 37, 43, 53, 71, 85	
SLEEVE,WIRE,FIBERGLASS.....91	WASHER FLAT 1/45/8 SBIN.....47, 49	
SLIDE BLOCK,TOWER GD 1147086.....85	WASHER FLAT 3/8 ZP SAE BIN.....49, 71, 97	
SNAP RING,JACK (841430).....35, 37	WASHER FLAT 5/16ZP.....49	
SOCKET BASE-MOGUL.....91	WASHER FLAT 5/16ZP SAE/BIN.....95	
SOLENOID,FUEL,3 WIRE,KUBOTA.....57	WASHER FLAT 5/8.....43	
SOLENOID,KUBOTA D9/1105 SHTDWN.....57	WASHER LOCK 1/2ZP.....37, 43, 47, 49, 53, 61, 71, 85, 91, 93	
SOLENOID,SHUT DOWN PERKIN40422.....61	WASHER LOCK 3/8ZP.....71, 97	
SPACER, DRUM BOLT, K-1550.....51	WASHER LOCK 5/16 ZP BIN.....71	
	WASHER LOCK 5/8 ZP.....43	
	WASHER LOCK STAR 1/2E.....91, 93	

California Proposition 65



Operating, servicing and maintaining this equipment can expose you to chemicals including engine exhaust, carbon monoxide, phthalates, and lead, which are known to the State of California to cause cancer and birth defects or other reproductive harm. These chemicals can be emitted from or contained in other various parts and systems, fluids and some component wear by-products. To minimize exposure, avoid breathing exhaust, do not idle the engine except as necessary, service your equipment and vehicle in a well-ventilated area and wear gloves or wash your hands frequently when servicing your equipment or vehicle and after operation. For more information go to www.P65Warnings.ca.gov/passenger-vehicle.

Breathing diesel engine exhaust exposes you to chemicals known to the State of California to cause cancer and birth defects or other reproductive harm.

- Always start and operate the engine in a well-ventilated area.
- If in an enclosed area, vent the exhaust to the outside.
- Do not modify or tamper with the exhaust system.
- Do not idle the engine except as necessary.

For more information go to www.P65warnings.ca.gov/diesel.

Distributed By:

www.P65Warnings.ca.gov to order your parts

Parts Manual

RL4000

TML-4000

*from SN RL409-979
from SN TML 10-101*

Part No.
116693

Rev B30



Go to Discount-Equipment.com to order your parts

PARTS FINDER

**Search Website
by Part Number**



**Search Manual
Library For Parts
Manual & Lookup Part
Numbers – Purchase
or Request Quote**

Search Manuals

Enter your information to search for a parts manual or lookup a part number.

* Brand:

* Model:

* Serial:

* Part Number:

SEARCH

**Can't Find Part or
Manual? Request Help
by Manufacturer,
Model & Description**

Parts Order Form

Please fill in the following information:

Manufacturer:

Model:

Description:

Quantity:

Part Number:

Part Name:

Part Description:

Part Category:

Part Location:

Part Status:

Part Condition:

Part Material:

Part Color:

Part Weight:

Part Dimensions:

Part Notes:

Submit

Discount-Equipment.com is your online resource for quality parts & equipment.

Florida: **561-964-4949** Outside Florida TOLL FREE: **877-690-3101**

Need parts?

Click on this link: <http://www.discount-equipment.com/category/5443-parts/> and choose one of the options to help get the right parts and equipment you are looking for. Please have the machine model and serial number available in order to help us get you the correct parts. If you don't find the part on the website or on one of the online manuals, please fill out the request form and one of our experienced staff members will get back to you with a quote for the right part that your machine needs.

We sell worldwide for the brands: Genie, Terex, JLG, MultiQuip, Mikasa, Essick, Whiteman, Mayco, Toro Stone, Diamond Products, Generac Magnum, Airman, Haulotte, Barreto, Power Blanket, Nifty Lift, Atlas Copco, Chicago Pneumatic, Allmand, Miller Curber, Skyjack, Lull, Skytrak, Tsurumi, Husquvarna Target, Stow, Wacker, Sakai, Mi-T-M, Sullair, Basic, Dynapac, MBW, Weber, Bartell, Bennar Newman, Haulotte, Ditch Runner, Menegotti, Morrison, Contec, Buddy, Crown, Edco, Wyco, Bomag, Laymor, EZ Trench, Bil-Jax, F.S. Curtis, Gehl Pavers, Heli, Honda, ICS/PowerGrit, IHI, Partner, Imer, Clipper, MMD, Koshin, Rice, CH&E, General Equipment, Amida, Coleman, NAC, Gradall, Square Shooter, Kent, Stanley, Tamco, Toku, Hatz, Kohler, Robin, Wisconsin, Northrock, Oztec, Toker TK, Rol-Air, APT, Wylie, Ingersoll Rand / Doosan, Innovatech, Con X, Ammann, Mecalac, Makinex, Smith Surface Prep, Small Line, Wanco, Yanmar