



# TEREX

## Parts Manual

Serial Number Range

**AL4**

from SN AL412-101 to  
AL416-2947

from AL416J-2948 to  
AL416J-4399

from AL4J-4400

Part No. 216011

Rev C11

November 2018



[www.discount-equipment.com](http://www.discount-equipment.com)

Go to [Discount-Equipment.com](http://Discount-Equipment.com) to order your parts

# PARTS FINDER

**Search Website  
by Part Number**



**Search Manual  
Library For Parts  
Manual & Lookup Part  
Numbers – Purchase  
or Request Quote**

**Search Manuals**

Enter your information to help us find the right parts manual for your machine.

\* Brand:

\* Model:

\* Serial:

\* Part Number:

SEARCH

**Can't Find Part or  
Manual? Request Help  
by Manufacturer,  
Model & Description**

**Parts Order Form**

Please fill in the following information to help us find the right part for your machine.

Manufacturer:	<input type="text"/>
Model:	<input type="text"/>
Description:	<input type="text"/>
Part Number:	<input type="text"/>
Quantity:	<input type="text"/>
Notes:	<input type="text"/>

Submit

Discount-Equipment.com is your online resource for quality parts & equipment.

Florida: **561-964-4949** Outside Florida TOLL FREE: **877-690-3101**

**Need parts?**

Click on this link: <http://www.discount-equipment.com/category/5443-parts/> and choose one of the options to help get the right parts and equipment you are looking for. Please have the machine model and serial number available in order to help us get you the correct parts. If you don't find the part on the website or on one of the online manuals, please fill out the request form and one of our experienced staff members will get back to you with a quote for the right part that your machine needs.

We sell worldwide for the brands: Genie, Terex, JLG, MultiQuip, Mikasa, Essick, Whiteman, Mayco, Toro Stone, Diamond Products, Generac Magnum, Airman, Haulotte, Barreto, Power Blanket, Nifty Lift, Atlas Copco, Chicago Pneumatic, Allmand, Miller Curber, Skyjack, Lull, Skytrak, Tsurumi, Husquvarna Target, Stow, Wacker, Sakai, Mi-T-M, Sullair, Basic, Dynapac, MBW, Weber, Bartell, Bennar Newman, Haulotte, Ditch Runner, Menegotti, Morrison, Contec, Buddy, Crown, Edco, Wyco, Bomag, Laymor, EZ Trench, Bil-Jax, F.S. Curtis, Gehl Pavers, Heli, Honda, ICS/PowerGrit, IHI, Partner, Imer, Clipper, MMD, Koshin, Rice, CH&E, General Equipment, Amida, Coleman, NAC, Gradall, Square Shooter, Kent, Stanley, Tamco, Toku, Hatz, Kohler, Robin, Wisconsin, Northrock, Oztec, Toker TK, Rol-Air, APT, Wylie, Ingersoll Rand / Doosan, Innovatech, Con X, Ammann, Mecalac, Makinex, Smith Surface Prep, Small Line, Wanco, Yanmar

---

## Technical Publications

Genie has endeavored to deliver the highest degree of accuracy possible. However, continuous improvement of our products is a Genie policy. Therefore, product specifications are subject to change without notice.

Readers are encouraged to notify Genie of errors and send in suggestions for improvement. All communications will be carefully considered for future printings of this and all other manuals.

---

## Contact Us:

Internet: [www.genielift.com](http://www.genielift.com)  
e-mail: [awp.techpub@terex.com](mailto:awp.techpub@terex.com)

---

## Find a Manual for this Model

Go to <http://www.genielift.com>


Use the links to locate Operator's, Parts, Maintenance, and Service and Repair Manuals.

---


Copyright © 2012 by Terex Corporation

216011 Rev C April 2016  
First Edition, Third Printing

"Terex" is a registered trademark of Terex USA, LLC in the USA and many other countries.

 Printed on recycled paper

To August 31, 2016

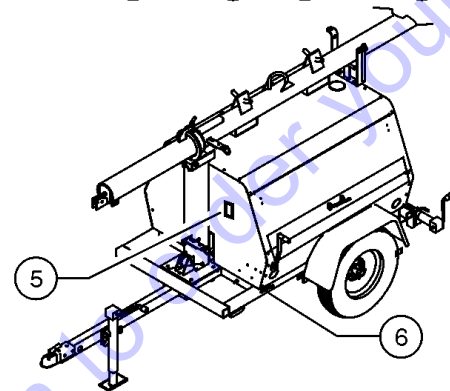


**Model:**  
**Serial number:** AL416J-1234  
**Manufacture date:** 1/2/16  
**Electrical schematic number:**  
**Machine unladen weight:**  
**Axle weight:**  
**Tongue weight:**  
**Tire pressure:**  
**Maximum tow speed:**

**Model year:** 2016

AL4 16 J - 1234

1 2 3 4



- 1 Model
- 2 Model year
- 3 Facility code

- 4 Sequence number
- 5 Serial label
- 6 Serial number (stamped on chassis)

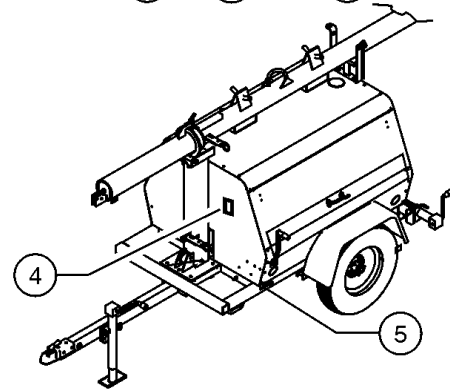
From September 1, 2016



**Model:**  
**Serial number:** AL416J-1234  
**Year of Manufacture :** 2016  
**Electrical schematic number:**  
**Machine unladen weight:**  
**Axle weight:**  
**Tongue weight:**  
**Tire pressure:**  
**Maximum tow speed:**

AL4 J - 1234

1 2 3



- 1 Model
- 2 Facility code
- 3 Sequence number

- 4 Serial label
- 5 Serial number (stamped on chassis)

## Table of Contents

This manual is updated frequently. If you have a printed manual, you can keep it up to date by downloading new figures from the Genie website at [www.genielift.com](http://www.genielift.com). For the most up-to-date parts information, visit the Parts Lookup System on the Genie website at [www.genielift.com](http://www.genielift.com).

How to Read Your Serial Number.....	3
Parts Stocking List.....	7
How to Order Parts.....	8
Service Parts Fax Order Form.....	9

**Electronic Version**

Click on any page number to view the figure.

**001 Parts Stocking List**

001.1 Parts Stocking List.....	10
--------------------------------	----

**100 Decals**

101.1 Decals with Words, Roadside.....	12
102.1 Decals with Words, Curbside.....	14
103.1 Decals with Symbols, Roadside.....	16
104.1 Decals with Symbols, Curbside.....	18

**200 Chassis Components**

201.1 Chassis.....	20
202.1 Skid Chassis Components.....	22
203.1 Fuel Tank and Hoses (models without Spill Containment Option).....	24
203.2 Fuel Tank and Hoses (models without Spill Containment Option).....	26
204.1 Fuel Tank and Hoses (models with Spill Containment Option).....	28
204.2 Fuel Tank and Hoses (models with Spill Containment Option).....	30
205.1 Axles and Brakes.....	32
206.1 Hitches.....	34
207.1 Ballast Box.....	36
208.1 Cabinet, View 1 (to SN AL413-2416).....	38
208.2 Cabinet, View 1 (from SN AL413-2417).....	40
208.3 Cabinet, View 1 (models with Spill Containment Option).....	42
209.1 Cabinet, View 2.....	44
210.1 Winch.....	46
211.1 Electric Winch.....	48

**300 Engine and Generator**

301.1 Kubota D1105-E3BG, View 1 (to serial number AL414-2720).....	50
301.2 Kubota D1105-E3BG, View 1 (from serial number AL414-2721).....	52
302.1 Kubota D1105-E3BG, View 2.....	54
303.1 Kubota D1105-E3BG, View 3.....	56
304.1 Kubota D1105-E3BG, View 4.....	58
305.1 Perkins 403D-11G, View 1.....	60
306.2 Perkins 403D-11G, View 2 ( from serial number AL4011-1556).....	62
307.1 Generators.....	64

**400 Electrical Components**

401.1 Control Box, 60 Hz, View 1.....	66
402.1 Control Box, 60 Hz, View 2.....	68
403.1 Control Box, 60 Hz with Auto Air Shutdown, View 1...70	
404.1 Control Box, 60 Hz with Auto Air Shutdown, View 2...72	
405.1 Control Box, Autostart, View 1.....	74
406.1 Control Box, Autostart, View 2.....	76
407.1 Control Box, 50 Hz, View 1.....	78
408.1 Control Box, 50 Hz, View 2.....	80
409.1 Control Box, 50 Hz, Australia, View 1.....	82
410.1 Control Box, 50 Hz, Australia, View 2.....	84
411.1 Control Box, 50 Hz, Twistlock, View 1.....	86
412.1 Control Box, 50 Hz, Twistlock, View 2.....	88
413.1 Electrical Wiring and Power Cables.....	90

**500 Mast Components**

501.1 Mast Assembly and Winch Cable Routing.....	92
502.1 Tower Base Assembly.....	94
503.1 Round Tube Assembly, 6 Inch.....	96
504.1 Mast Assembly, 4-inch.....	98
505.1 Mast Assembly, 2-inch and 3-inch.....	100
506.1 Mast Crossarm.....	102
507.1 Light Assembly, Round.....	104
508.1 Light Assembly, Square.....	106

**600 Accessories**

601.1 Spare Tire and Dome Light.....	108
602.1 Engine Options.....	110

**Indices**

Part Number Index.....	112
Part Description Index.....	115

**Cross References**

## Required Parts

The following parts are required to perform maintenance procedures as outlined in the Terex AL4 Service Manual.

### Kubota D1105-D3BG

Description	Part No.
Air Filter Element .....	866127
Engine Oil Filter.....	866050
Fuel Filter Element.....	839200
In-line Fuel Filter.....	740620
V-Belt.....	839209
Lower Radiator Hose.....	839110
Upper Radiator Hose.....	839109
Hose Clamp, Upper Radiator Hose.....	32185

### Perkins 403D-11G

Description	Part No.
Air Filter Element .....	866068
Engine Oil Filter.....	94762
Fuel Filter Element.....	62421
In-line Fuel Filter.....	740620
V-Belt.....	85071
Lower Radiator Hose.....	58292
Upper Radiator Hose.....	97428
Hose Clamp, Radiator Hose.....	30348

### Fuel Lines

Description	Part No.
Fuel Return Hose, 1/8" (refer to 203.1) .....	890785
Hose, Fuel, 5/16" (refer to 203.1) .....	890795
Hose Clamp, 5/16" Fuel Line.....	898590

Description	Part No.
Kit: Upper Cable Assembly.....	109070
Kit: Lower Cable Assembly.....	109065

## Recommended Parts

Description	Part No.
Mechanical Jack .....	841430
Snap Ring, Mechanical Jack .....	840222
Kit, Plunger Pin, Outrigger.....	970260
Grease Seal Bearing .....	834225
Cotter Pin, Wheel Bearing.....	834255

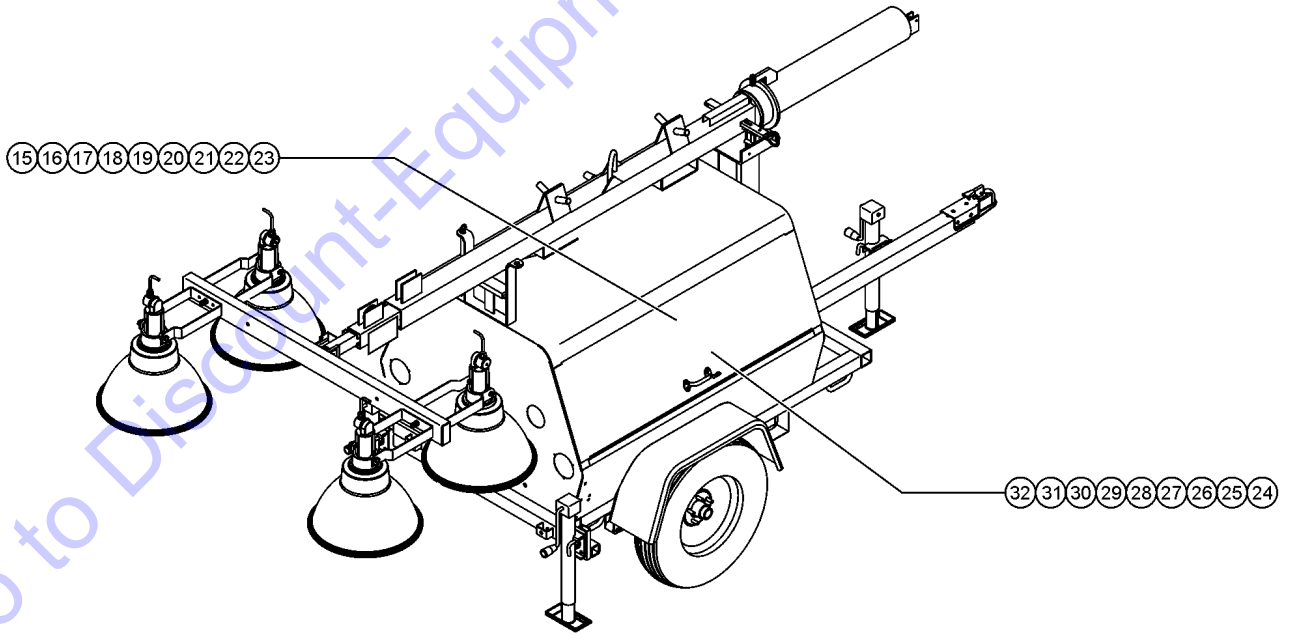
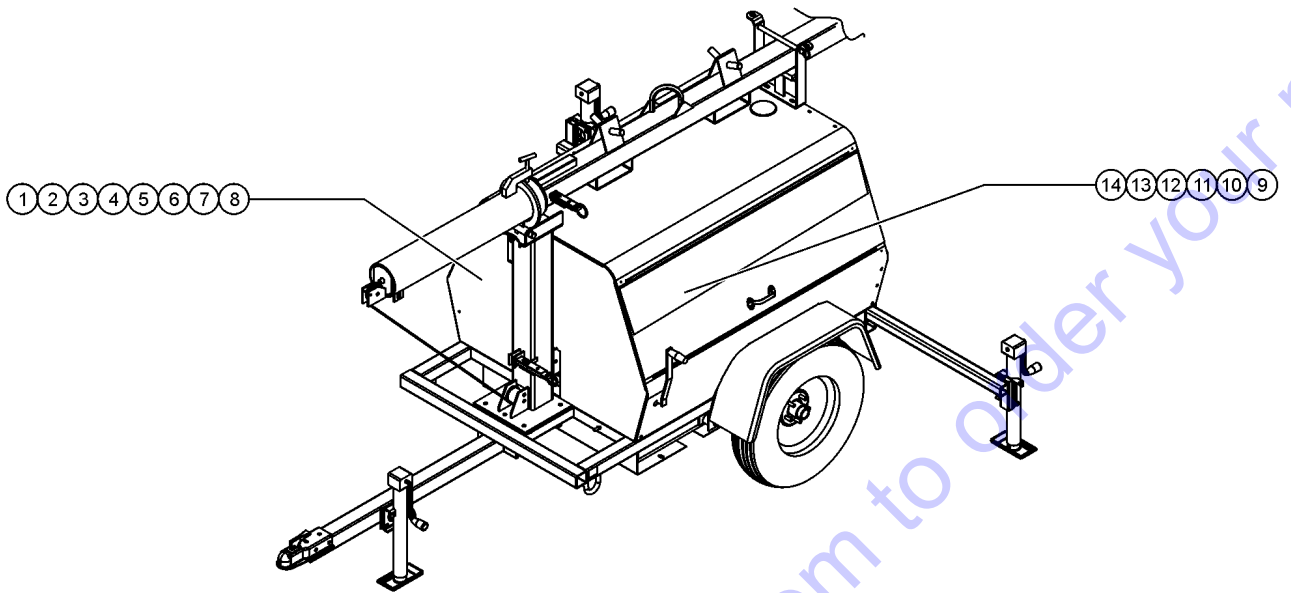
### Control Box

Relay, 12VDC.....	R661490
Breaker, 20A .....	T113642
Breaker, 15A .....	T113641
Breaker, 30A .....	T113644

### Generator, Marathon

Capacitor, 6KW, 60Hz.....	58356
Capacitor, 8KW, 60Hz.....	85207
Capacitor, 7.5KW, 50Hz.....	229457
Diode.....	836853
Surge Protector.....	836856

001.1 Parts Stocking List



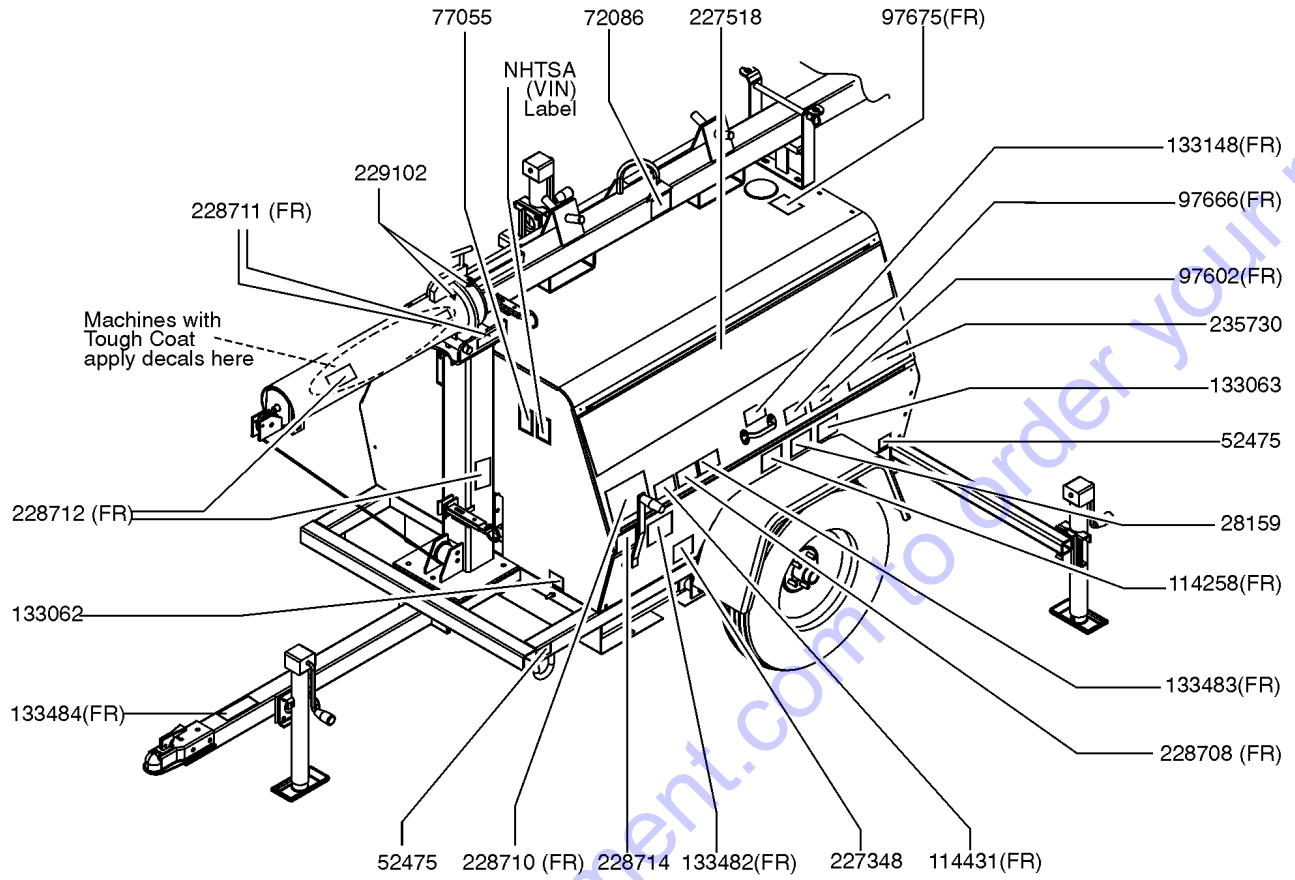
Go to Discount-Equipment.com to order your parts

## 001.1 Parts Stocking List

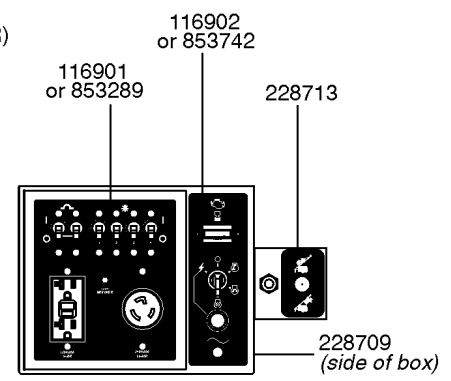
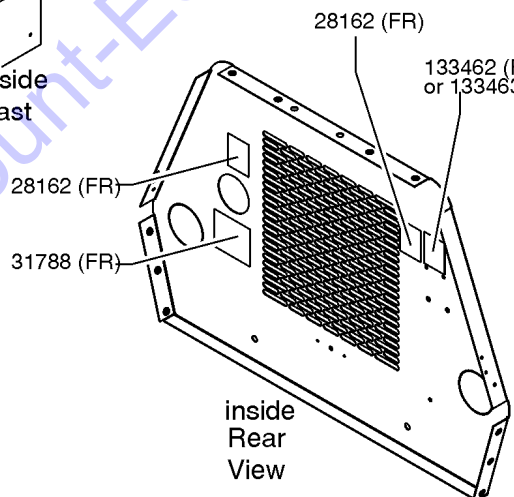
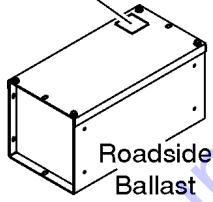
Item	Part No.	Description	Qty.	Item	Part No.	Description	Qty.
A		— GENERAL SERVICE PARTS —		--	839209GT	V-BELT,KUBOTA	
--	1258567GT	PAINT, AEROSOL, TRAFFIC BLACK <i>12-ounce spray paint</i>		--	839110GT	HOSE,RADIATOR,LOWER,KUBOTA	
--	1268GT	PAINT,AEROSOL,GENIE GRAY*** <i>12-ounce spray paint</i>		--	839109GT	RADIATOR HOSE,KUBOTA	
--	1283776GT	SEAL MARKER,CROSS CHECK,BLUE,TUBE		--	32185GT	CLAMP,HOSE	
--	1484GT	PAINT,AEROSOL,BRIGHT BLUE*** <i>12-ounce spray paint</i>		24		— PERKINS MODELS —	
--	28750GT	O-RING KIT,FIELD SVC,ALL PROD* <i>O-ring kit, SAE</i>		--	866068GT	PERKINS 135326205AIR	
--	32150GT	PAINT,WET,GENIE BLUE (1 GL)** <i>1-gallon</i>		--	94762GT	OIL FILTER - PERKINS	
--	32151GT	PAINT,WET,GENIE GRAY (1 GL)** <i>1-gallon</i>		--	62421GT	FILTER,FUEL,PERKINS	
--	33994GT	PLUG AND CAP KIT-SERVICE,37 ** <i>Plug and cap kit, SAE</i>		--	740620GT	FILTER,IN-LINE,FUEL,5/16"	
--	49612GT	O-RING KIT (ORFS FITTINGS) <i>O-ring kit, ORFS</i>		--	85071GT	BELT-FAN, PERKINS (103.10)	
--	49613GT	PLUG AND CAP KIT-SERVICE,ORFS* <i>Plug and cap kit, ORFS</i>		--	58292GT	HOSE,RADIATOR,PERKINS,TML	
--	66399GT	GREASE,DIELECTRIC 4 OZ**		--	97428GT	HOSE,RADIATOR,UPPER PRKNS,TML	
--	890785GT	HOSE,FUEL,1/8"ID		--	30348GT	CLAMP,HOSE,1.00	
--	890795GT	HOSE,FUEL,5/16"ID					
--	898590GT	HOSE FITTING PIPE/BAR					
--	93500GT	PARKER DIGITAL PRESSURE GAUGE					
--							
1		— MANUALS —					
--	27581GT	MANUAL,AEM SAFETY					
--	229101GT	MANUAL, OPERATOR'S, AL4					
--	218567GT	MANUAL, SERVICE, AL4					
--	216011GT	MANUAL, PARTS, AL4					
--	131661GT	MANUAL,OPERATORS,PERKINS,403D					
--	131379GT	MANUAL,OPER,KUBOTA DIESEL****					
--	116188GT	MANUAL,OP,MARATHON GENERATOR					
9		— GENERATOR, MARATHON MODELS —					
--	58356GT	CAPACITOR-ROUND 25MF					
--	85207GT	CAPACITOR,45 MF***OVAL					
--	229457GT	CAPACITOR, 8KW GENERATOR,5420					
--	836853GT	DIODE,MARATHON					
--	836856GT	MARATHON SUPPRESSOR/VARISTOR					
15		— KUBOTA MODELS —					
--	866127GT	ELEMENT,AIR CLEANER,KUBOTA					
--	866050GT	FILTER,OIL,KUBOTA					
--	839200GT	ELEMENT,FUEL FILTER,KUBOTA					
--	740620GT	FILTER,IN-LINE,FUEL,5/16"					



101.1 Decals with Words, Roadside



851691 or  
851692 or  
851693 or  
851694



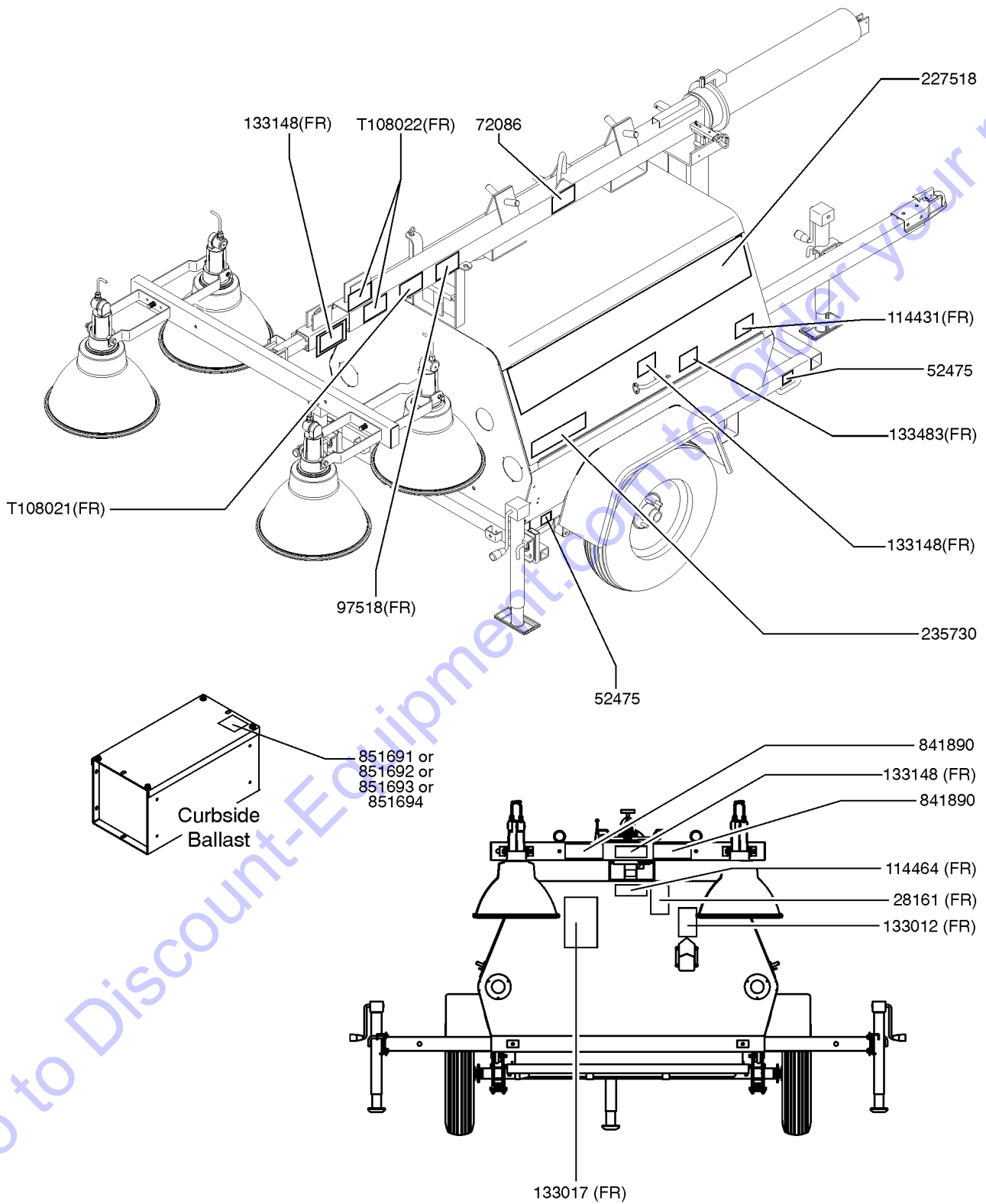
Go to Discount-Equipment.com to order your parts

101.1 Decals with Words, Roadside

Item	Part No.	Description	Qty.	Item	Part No.	Description	Qty.
--	216137GT	DECAL KIT, WORD, AL4 <i>(does not include control box decals)</i>		32	851691GT	DECAL- 1 (10/CARD BRADY.....	1
1	28159GT	DECAL,DIESEL.....	1	33	851692GT	DECAL- 2 (10/CARD BRADY.....	1
2	28162GT	DECAL,WARNING,CRUSHING.....	2	34	851693GT	DECAL- 3 (10/CARD BRADY.....	1
3	31788GT	DECAL,DANGER,BATTERY SAFETY***.....	1	35	851694GT	DECAL - 4 (10/CARD BRADY.....	1
4	52475GT	DECAL,LABEL,TRANSPORT TIEDOWN*.....	2				
5	72086GT	DECAL,LABEL,LIFTING EYE.....	1				
6	77055GT	SERIAL LABEL,BLANK,4X8,CHROME*..... <i>(This is a blank label. Contact Service Parts to order; the model and serial number of the machine will be required.)</i>	1				
7	97666GT	DECAL,WARN,READ MANUAL.....	1				
8	97675GT	DECAL,WARN,EXPLSION/BURN HAZ...	1				
9	114258GT	DECAL,DANGER,NO SMOKING.....	1				
10	114431GT	DECAL,DANGER,ELECTROCUTION HZD.....	1				
11A	116901GT	DECAL,CONTROL BOX AC CONSOL....	1				
11B	853289GT	DECAL, AL/RL CONTROL BOX DC <i>(Australia)</i>					
12A	116902GT	DECAL,CONTROL BOX DC CONSOL....	1				
12B	853742GT	DECAL- CNTRL BOX FACE <i>(Australia)</i>					
13	133062GT	Decal, Label, Ground.....	1				
14	133063GT	DECAL,LABEL,TIE DOWN DIAGRAM....	1				
15	133148GT	DECAL,DANGER,HAZARD VOLTAGE...2					
16	133462GT	DECAL,PERKINS ENGINE SPECS.....	1				
17	133463GT	DECAL,KUBOTA ENGINE SPECS.....	1				
18	133482GT	DECAL,WARNING TIP-OVER HAZ.....	1				
19	133483GT	DECAL,WARNING BURN HAZ.....	1				
20	133484GT	DECAL,WARNING TOW SPEED.....	1				
21	227348GT	DECAL,TIRE SPECIFICATION.....	1				
22	227518GT	DECAL,COSMETIC TEREX,AL4,AL4L...1					
23	228708GT	DECAL, DANGER, CSA OUTDOOR USE.....	1				
24	228709GT	LABEL, CSA NEUTRAL BOND TO GND.....	1				
25	228710GT	DECAL INSTRUCTION AL4 AL5.....	1				
26	228711GT	DECAL, WARNING, CRUSH HAZARD...1					
27	228712GT	DECAL, WARN, CRUSH HAZARD,MAST.....	1				
28	228713GT	LABEL, ELECTRIC WINCH.....	1				
29	228714GT	LABEL, WINCH, RAISE & LOWER.....	1				
30	229102GT	DECAL, LABEL, ARROW.....	2				
31	235730GT	DECAL COSMETIC MODEL AL4.....	2				

Go to DiscountElement.com to order your parts

102.1 Decals with Words, Curbside



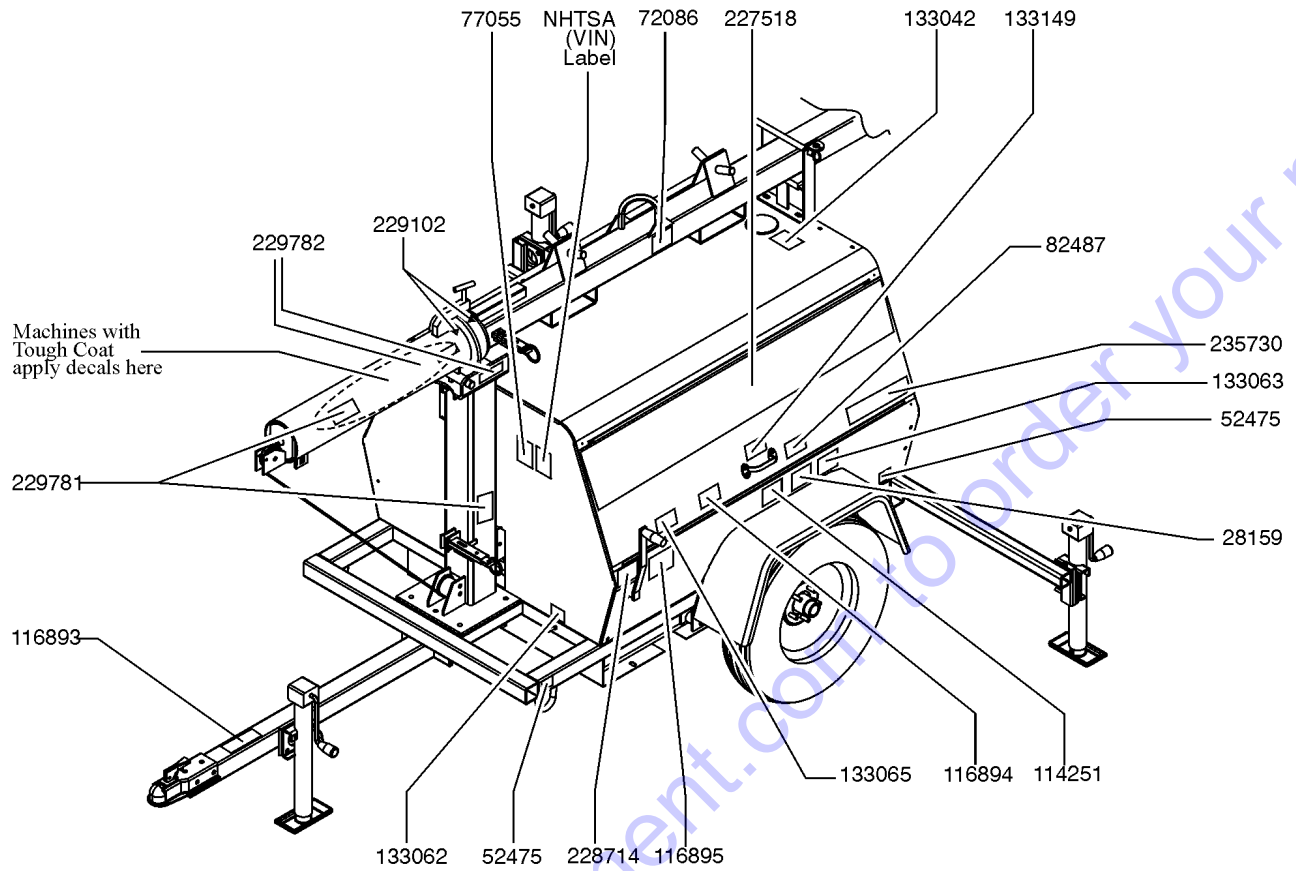
Go to Discount-Equipment.com to offer your parts

## 102.1 Decals with Words, Curbside

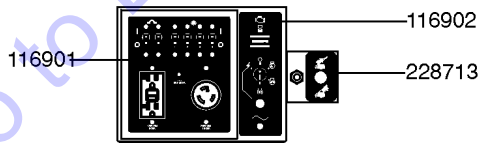
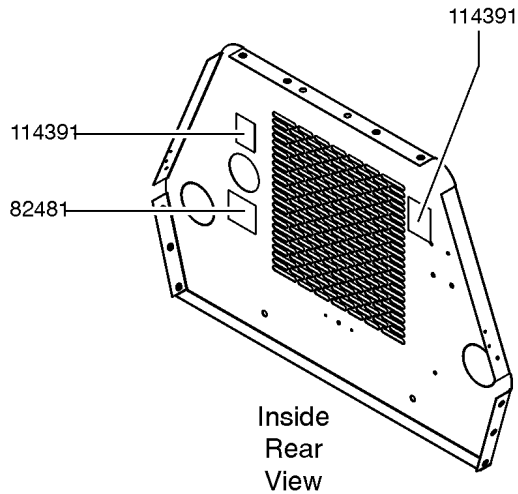
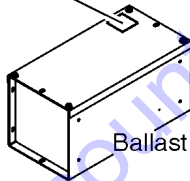
Item	Part No.	Description	Qty.
--		Ref. DECAL KIT, WORD, AL4 (refer to 101.1)	
1	28161GT	DECAL,WARN,CRUSH HAZARD HAND.....	1
2	52475GT	DECAL,LABEL,TRANSPORT TIEDOWN*.....	2
2	72086GT	DECAL,LABEL,LIFTING EYE.....	1
3	97518GT	Decal, Instruction, Lamp Disposal.....	1
4	114431GT	DECAL,DANGER,ELECTROCUTION HZD.....	1
5	114464GT	LABEL,TRAVEL LOCK.....	1
6	133012GT	DECAL,DANGER-BURN/CO HAZARD...1	
7	133017GT	DECAL,WARNING,CRUSH HZD,TOWER.....	1
8	133148GT	DECAL,DANGER,HAZARD VOLTAGE...2	
9	133483GT	DECAL,WARNING BURN HAZ.....1	
10	227518GT	DECAL,COSMETIC TEREX,AL4,AL4L...1	
11	235730GT	DECAL COSMETIC MODEL AL4.....1	
12	841890GT	REFLECTOR,SCOTCHLITE,2"X18".....2	
13	851691GT	DECAL- 1 (10/CARD BRADY.....1	
14	851692GT	DECAL- 2 (10/CARD BRADY.....1	
15	851693GT	DECAL- 3 (10/CARD BRADY.....1	
16	851694GT	DECAL - 4 (10/CARD BRADY.....1	
17	T108021GT	DECAL,WARN,PROTECTIVE BARRIER.....	1
18	T108022GT	DECAL, WARNING BURN HAZARD.....2	

Go to Discount-Equipment.com to order your parts

103.1 Decals with Symbols, Roadside



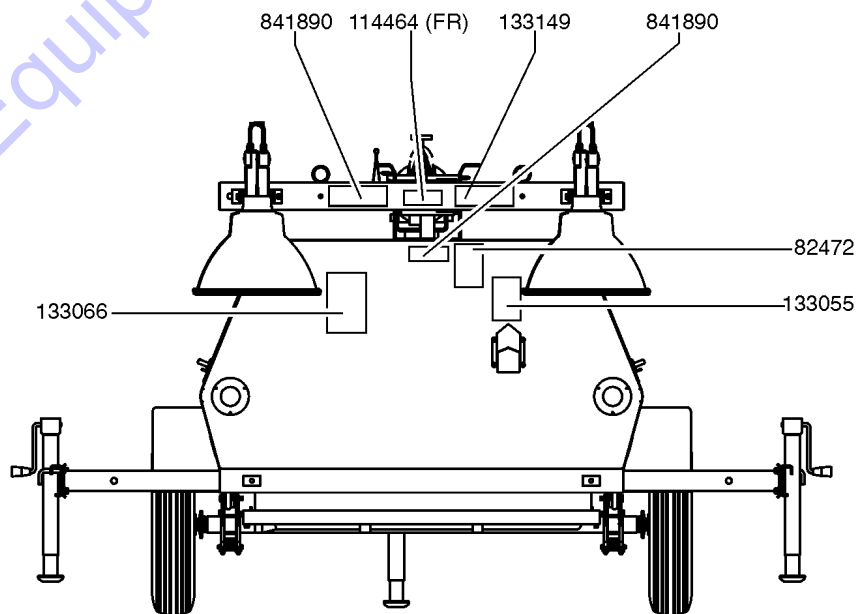
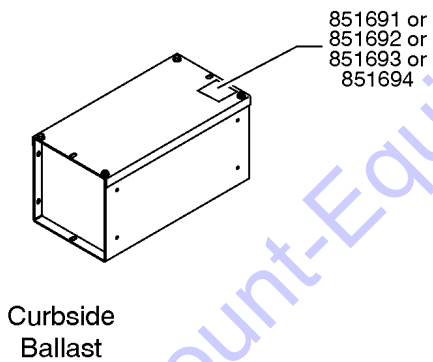
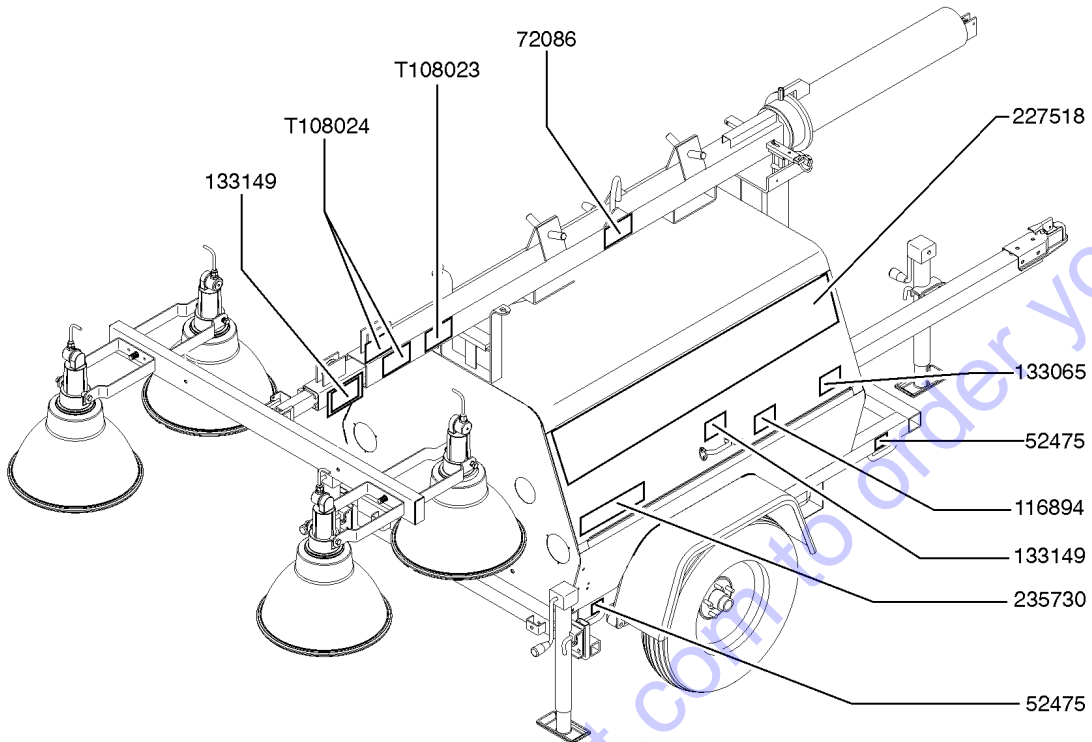
851691 or  
851692 or  
851693 or  
851694



## 103.1 Decals with Symbols, Roadside

Item	Part No.	Description	Qty.
--	216138GT	DECAL KIT, SYMBOL, AL4 <i>(does not include control box decals)</i>	
1	28159GT	DECAL,DIESEL.....	1
2	52475GT	DECAL,LABEL,TRANSPORT TIEDOWN*.....	2
3	72086GT	DECAL,LABEL,LIFTING EYE.....	1
4	82481GT	DECAL,SYMBOL-BATTERY SAFETY.....	1
5	82487GT	DECAL, SYMBOL - READ THE MANUAL.....	1
6	77055GT	SERIAL LABEL,BLANK,4X8,CHROME*..... <i>(This is a blank label. Contact Service Parts to order; the model and serial number of the machine will be required.)</i>	1
7	114251GT	DECAL,LABEL,NO SMOKING,SYMB.....	1
8	114391GT	DECAL,WARNING,CRUSHING.....	2
9	116893GT	DECAL,TOW SPEED SYMBOL.....	1
10	116894GT	DECAL,BURN HAZARD SYMBOL.....	1
11	116895GT	DECAL,TIP HAZARD SYMBOL.....	1
12	116901GT	DECAL,CONTROL BOX AC CONSOL.....	1
13	116902GT	DECAL,CONTROL BOX DC CONSOL.....	1
14	133042GT	DECAL,EXPLSION/BURN HAZ SYMB.....	1
15	133062GT	Decal, Label, Ground.....	1
16	133063GT	DECAL,LABEL,TIE DOWN DIAGRAM.....	1
17	133065GT	DECAL,LABEL-ELEC HAZ,DISTANCE.....	1
18	133149GT	DECAL,LABEL-ELEC HAZ,SERV MAN.....	2
19	227518GT	DECAL,COSMETIC TEREX,AL4,AL4L.....	1
20	228713GT	LABEL, ELECTRIC WINCH.....	1
21	228714GT	LABEL, WINCH, RAISE & LOWER.....	1
22	229102GT	DECAL, LABEL, ARROW.....	2
23	229781GT	DECAL,WARNING,TIP-OVER,SYM.....	1
24	229782GT	DECAL,WARNING,CRUSHING HAZARD.....	1
25	235730GT	DECAL COSMETIC MODEL AL4.....	1
26	851691GT	DECAL- 1 (10/CARD BRADY.....)	1
27	851692GT	DECAL- 2 (10/CARD BRADY.....)	1
28	851693GT	DECAL- 3 (10/CARD BRADY.....)	1
29	851694GT	DECAL - 4 (10/CARD BRADY.....)	1

104.1 Decals with Symbols, Curbside



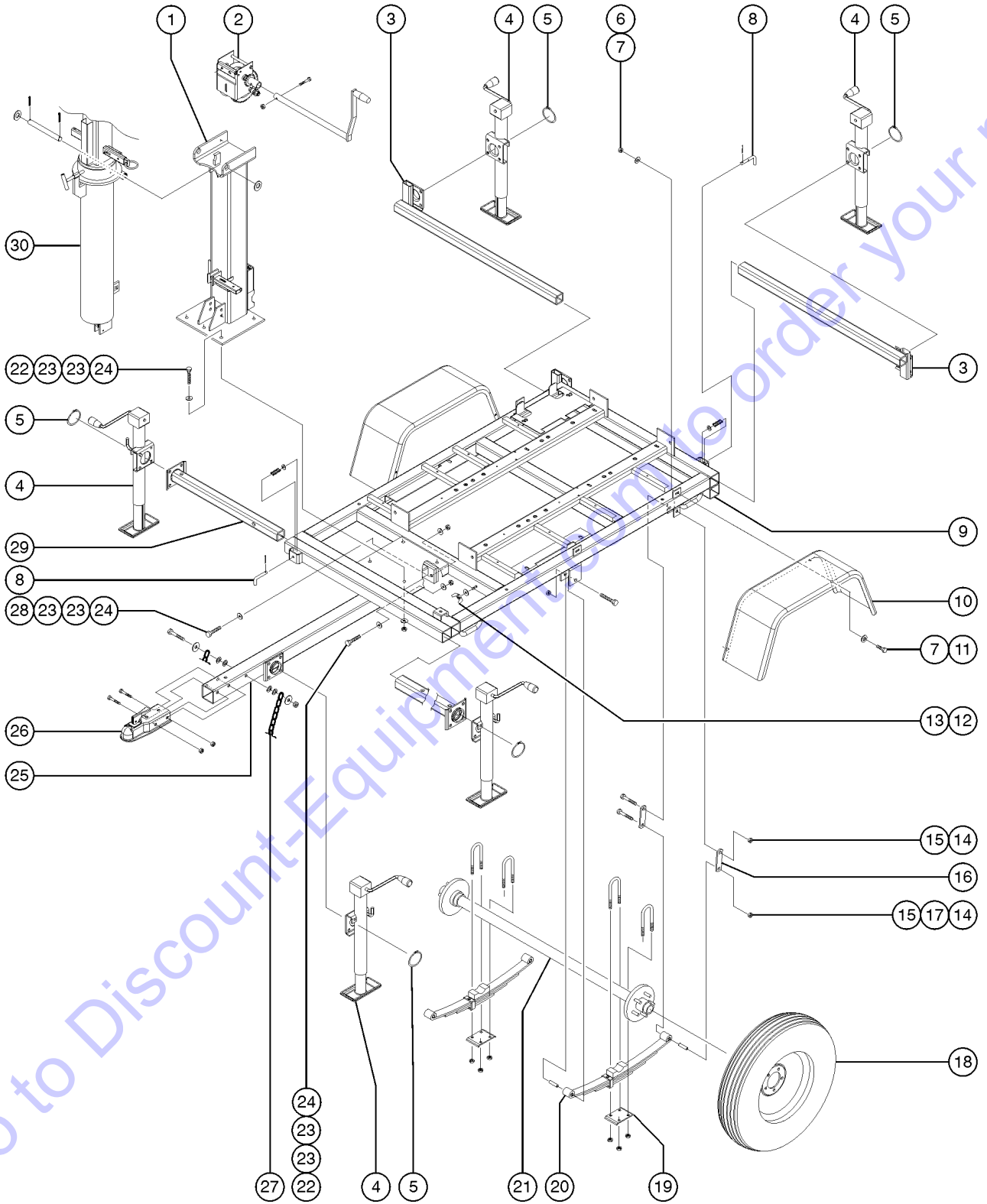
## 104.1 Decals with Symbols, Curbside

Item	Part No.	Description	Qty.
--		Ref. DECAL KIT, SYMBOL, AL4 (refer to 103.1)	
1	52475GT	DECAL,LABEL,TRANSPORT TIEDOWN*.....	2
2	72086GT	DECAL,LABEL,LIFTING EYE.....	1
3	82472GT	DECAL,WARNING,CRUSHING HAZARD.....	1
4	114464GT	LABEL,TRAVEL LOCK.....	1
5	116894GT	DECAL,BURN HAZARD SYMBOL.....	1
6	133055GT	DECAL,LABEL,BURN/CO2 HAZARD.....	1
7	133065GT	DECAL,LABEL-ELEC HAZ,DISTANCE...1	1
8	133066GT	DECAL,LABEL-CRUSH HAZ,TOWER.....1	1
9	133149GT	DECAL,LABEL-ELEC HAZ,SERV MAN..2	2
10	227518GT	DECAL,COSMETIC TEREX,AL4,AL4L...1	1
11	235730GT	DECAL COSMETIC MODEL AL4.....1	1
12	841890GT	REFLECTOR,SCOTCHLITE,2"X18".....2	2
13	851691GT	DECAL- 1 (10/CARD BRADY.....1	1
14	851692GT	DECAL- 2 (10/CARD BRADY.....1	1
15	851693GT	DECAL- 3 (10/CARD BRADY.....1	1
16	851694GT	DECAL - 4 (10/CARD BRADY.....1	1
17	T108023GT	DECAL,BODILY INJURY SYMBOL.....1	1
18	T108024GT	DECAL,BURN HAZARD SYMBOL.....2	2

Go to Discount-Equipment.com to order your parts

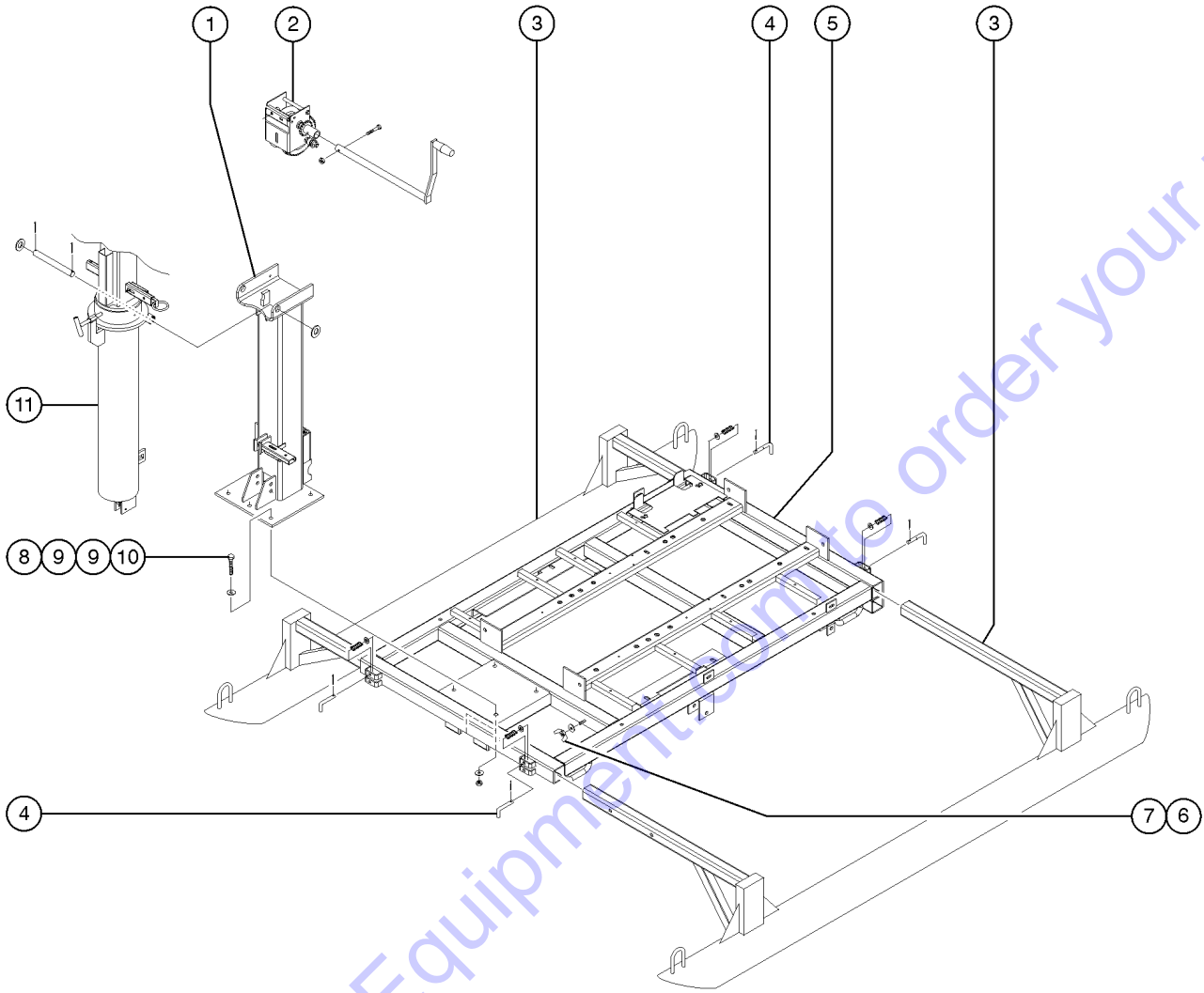


201.1 Chassis



Item	Part No.	Description	Qty.	Item	Part No.	Description	Qty.
1		Ref. TOWER BASE ASSEMBLY (refer to 502.1)		--	6097GT	WASHER,FLAT,USS,3/8",Y.....	2
2		Ref. WINCH (refer to 210.1)		--	61975GT	RETAINER,SPRING,1.21 X .375.....	2
3	114480GT	OUTRIGGER,2X2X42,GALVANIZED.....	2	--	824029GT	NUT,TL FLG,3/8-16,G,ZAG.....	1
4	841430GT	JACK,MECHANICAL,3000LB		28	6096GT	SCREW,HHC,1/2-13 X 2 GR5	
--	834204GT	FULTON HANDLE FOR JACK for jack with round plastic top		29	110040GT	OUTRIGGER 2X2X304819 GALV.....	2
--	834219GT	HAMMERBLOW HANDLE FOR JACK for jack with square metal top				<i>models with four outriggers</i>	
--	840221GT	JACK BRACKET,WELD ON SWIVEL for 841430		30		Ref. 6" ROUND BASE ASSY (refer to 503.1)	
5	840222GT	SNAP RING,JACK (841430).....	3				
6	824024GT	NUT,TL,1/4-20,C,ZAG.....	4				
7	75144GT	WASHER,FLAT,SAE 1/4,ZINC.....	8				
8	790965GT	PIN,PLUNGER,OUTRIGGER, KIT.....	2				
9A	124410GT	TRAILER FRAME 41X70W.....	1				
		(ANSI/CSA models)					
9B	124412GT	TRAILER FRAME 41X70W/ (shown) (Australian model)					
10	974645GT	KIT:FENDERS TO CAB-SIDE.....	1				
		(includes 2 fenders, weatherstripping and fasteners)					
--	123490GT	FENDER W/SKIRT,STEEL.....	2				
--	930950GT	WTHRSRIP, 1/4" X 1/2"W (50 foot roll)					
11	994130GT	SCREW,HHC,1/4-20 X 1.....	4				
12	993240GT	NUT,WING 3/8-16 ZP					
13	991690GT	WASHER LOCK STAR 3/8					
14	840395GT	NUT,AXLE SPRING 2000NO					
15	216631GT	BOLT,AXLE,3/16X3 W/7/16-20STEP					
16	841473GT	SHACKLE,AXLE,4-5/8" LONG					
17	834246GT	SPRING EYE BUSHING					
18	841061GT	WHEEL/TIRE ASSY,15",205/75 LRC.....	2				
--	840376GT	NUT,WHEEL, 1/2 X 20.....	10				
19	834267GT	KIT,AXLE,U-BOLT & PLATE & NUTS.....	2				
20	834211GT	SPRING,LEAF FOR AXLE, 4 PLY.....	2				
21		Ref., AXLE.....	1				
		(refer to 205.1)					
22	994600GT	SCREW 1/2-13NCX1-1/2H.....	2				
23	6095GT	WASHER,FLAT,USS,1/2",Y.....	4				
24	6198GT	NUT,NYLOCK,1/2-13					
25	124470GT	TONGUE B-O-H W/JACKBR.....	1				
26		Ref., HITCHES (refer to 205.1)					
27	162160GT	CHAIN, SAFETY, SNAP HOOK.....	2				
--	32645GT	SCREW,HHC,3/8-16 X 5 GRD 5 ZNC.....	1				

202.1 Skid Chassis Components

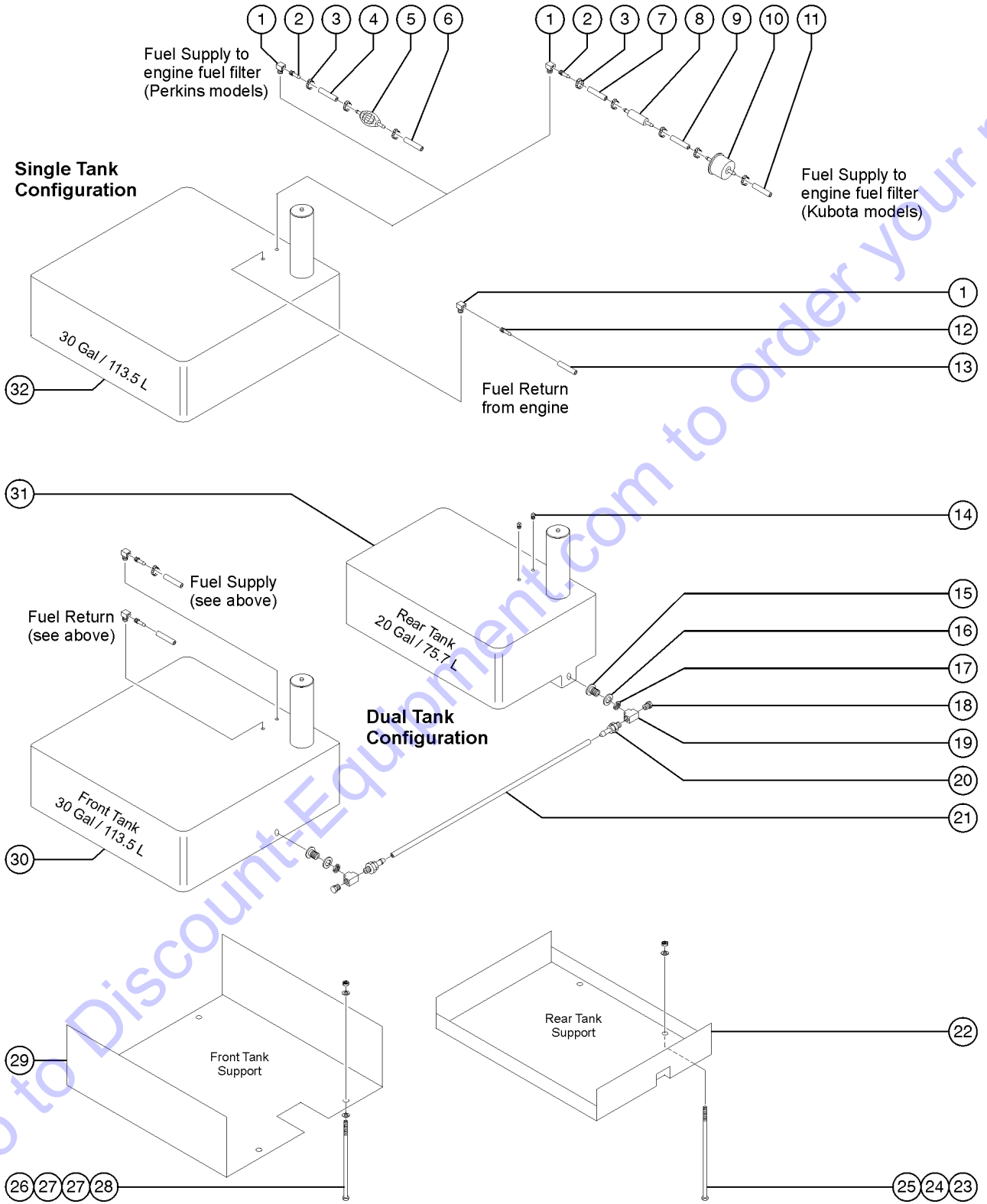


## 202.1 Skid Chassis Components

Item	Part No.	Description	Qty.
1		Ref. TOWER BASE ASSEMBLY (refer to 502.1)	
2		Ref. WINCH (refer to 209.1)	
3	122025GT	SKID,6PIPE,X120LG,TRLR MT,AL4.....	2
4	790965GT	PIN,PLUNGER,OUTRIGGER, KIT.....	4
5	T108458GT	KIT,TRAILER,SKID MT,AL4.....	1
6	993240GT	NUT,WING 3/8-16 ZP.....	1
7	991690GT	WASHER LOCK STAR 3/8.....	1
8	994600GT	SCREW 1/2-13NCX1-1/2H.....	4
9	6095GT	WASHER,FLAT,USS,1/2",Y.....	8
10	6198GT	NUT,NYLOCK,1/2-13.....	4
11		Ref. 6" ROUND BASE ASSY (refer to 503.1)	

Go to Discount-Equipment.com to order your parts

203.1 Fuel Tank and Hoses (models without Spill Containment Option)

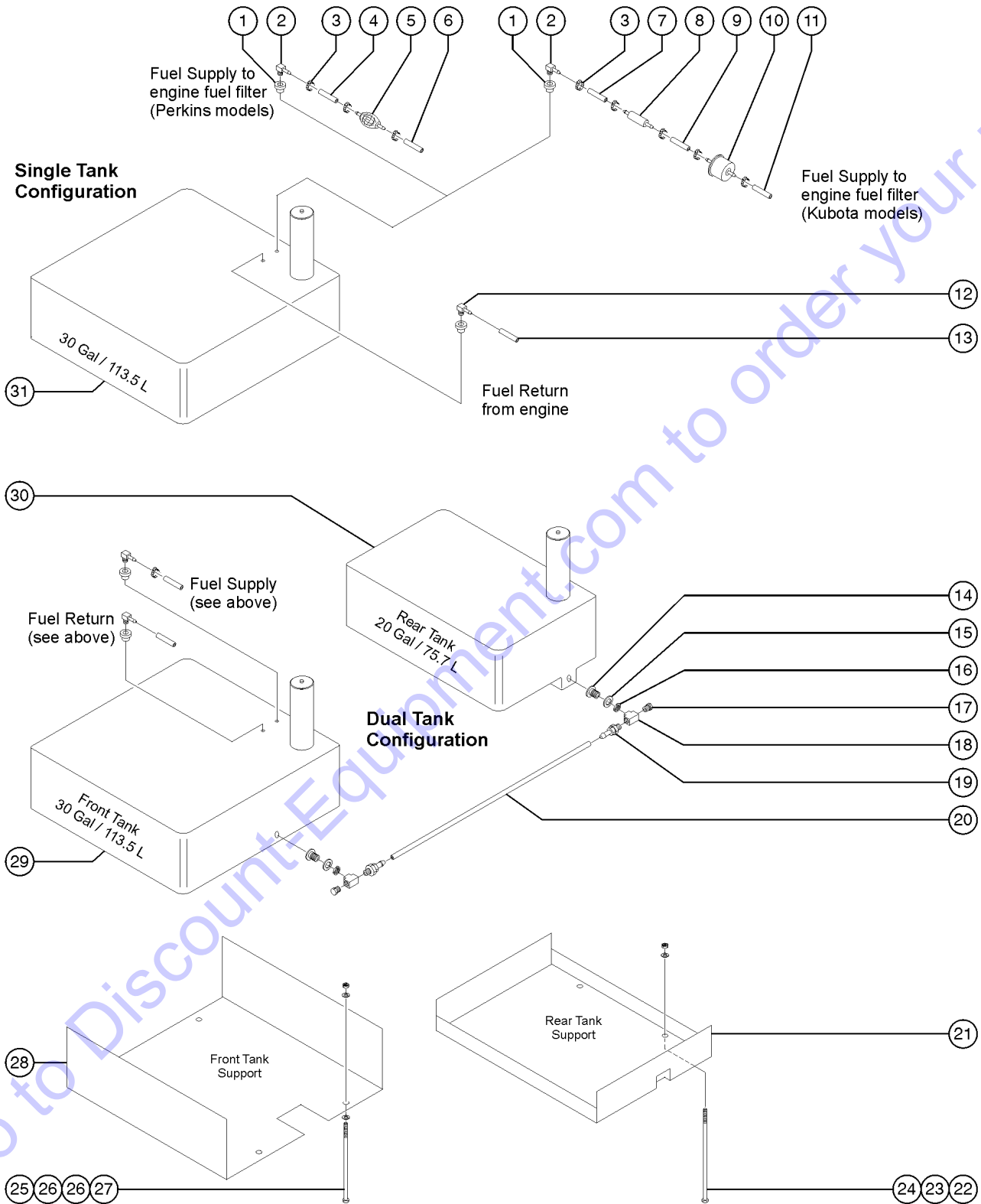


Go to DiscountEquipment.com to order your parts

## 203.1 Fuel Tank and Hoses (models without Spill Containment Option)

Item	Part No.	Description	Qty.	Item	Part No.	Description	Qty.
1	891520GT	PIPE FITTING STR ELBO.....	2	26	994650GT	SCREW,HHC,1/2-13 X 10.....	4
2	898590GT	HOSE FITTING PIPE/BAR.....	1			<i>for 188630GT</i>	
3	792750GT	CLAMP 7/16 TO 25/32		27	990210GT	WASHER FLAT 1/2ZP.....	8
4	890795GT	HOSE,FUEL,5/16"ID.....	15			<i>for 188630GT</i>	
		<i>feet</i>		28	990200GT	NUT,NYLOCK,1/2-13 GR2.....	4
5	85155GT	PUMP,PRIMER,PERKINS*** .....	1			<i>for 188630GT</i>	
		<i>Perkins models</i>		29	188630GT	FUEL TANK PAN, 30 GAL, AL4.....	1
6	890795GT	HOSE,FUEL,5/16"ID.....	2.5			<i>for single and dual tank configurations</i>	
		<i>feet</i>		30	189800GT	FUEL TANK,30 GAL W DRAIN HOLE....	1
7	890795GT	HOSE,FUEL,5/16"ID.....	12			<i>for dual-tank configuration</i>	
		<i>inches</i>		--	217717GT	CAP FUEL RL4/AL4 WITH TETHER	
8	740620GT	FILTER,IN-LINE,FUEL,5/16" .....				<i>with fuel-level gauge</i>	
		<i>Kubota models</i>		--	22109505GT	KIT: FUEL TANK DRAIN PLUG	
9	890795GT	HOSE,FUEL,5/16"ID.....	0.25				
		<i>feet</i>		--	217717GT	CAP FUEL RL4/AL4 WITH TETHER	
10	660320GT	PUMP,FUEL, 12VDC.....	1				
		<i>Kubota models</i>		--	218075GT	CAP FUEL AL4 GAGE W TETHER	
--	995810GT	SCREW 1/4-20NCX5/8 HW .....				<i>with fuel-level gauge</i>	
		<i>for 660320GT</i>		--	22109505GT	KIT: FUEL TANK DRAIN PLUG	
10A	R890065GT	HOSE FITTING PIPE/BARB 1/8MX.....	2	31A	189805GT	FP-FUEL TANK 20GAL W/DRAIN.....	1
		<i>for 660320GT</i>				<i>for dual-tank configuration</i>	
11	890795GT	HOSE,FUEL,5/16"ID.....	1.5	32	825072GT	FUEL TNK ASSY,PLAS,30G,AL4.....	1
		<i>feet</i>				<i>for single-tank configuration</i>	
12	891560GT	HOSE FITTING PIPE/BAR.....	1	--	217717GT	CAP FUEL RL4/AL4 WITH TETHER	
13	890785GT	HOSE,FUEL,1/8"ID.....	2.5				
		<i>feet</i>		--	218075GT	CAP FUEL AL4 GAGE W TETHER	
14	894340GT	PIPE PLUG 3/8 GALV.....	2			<i>with fuel-level gauge</i>	
15	189790GT	PLUG,DRAIN,FUEL TANK.....	2				
		<i>dual-tank models</i>		--	22109505GT	KIT: FUEL TANK DRAIN PLUG	
--	189785GT	WASHER RUBBER BUNA-N .....					
		<i>dual-tank models</i>					
16	990230GT	WASHER,FLAT,3/4 ZP .....					
		<i>dual-tank models</i>					
17	996375GT	NUT HEX HEAD JAM 3/4- .....					
		<i>dual-tank models</i>					
18	891190GT	PIPE PLUG 1/8 CS .....					
		<i>dual-tank models</i>					
19	898575GT	FITTING,TEE,MALE,1/8 .....					
		<i>dual-tank models</i>					
20	R890065GT	HOSE FITTING PIPE/BARB 1/8MX .....					
		<i>dual-tank models</i>					
21	890790GT	HOSE,FUEL,1/4"ID,PUSH LOK,200#.....	3				
		<i>feet</i>					
22	116139GT	FUEL TANK PAN,20GAL,AL4.....	1				
		<i>for 189805GT</i>					
23	116157GT	SCREW,CARRIAGE,3/8-16X12,ZP.....	4				
		<i>for 116139GT</i>					
24	981120GT	WASHER FLAT 3/8 ZP SAE BIN.....	4				
		<i>for 116139GT</i>					
25	824025GT	NUT,TL,3/8-16,C,ZAG.....	4				
		<i>for 116139GT</i>					

203.2 Fuel Tank and Hoses (models without Spill Containment Option)



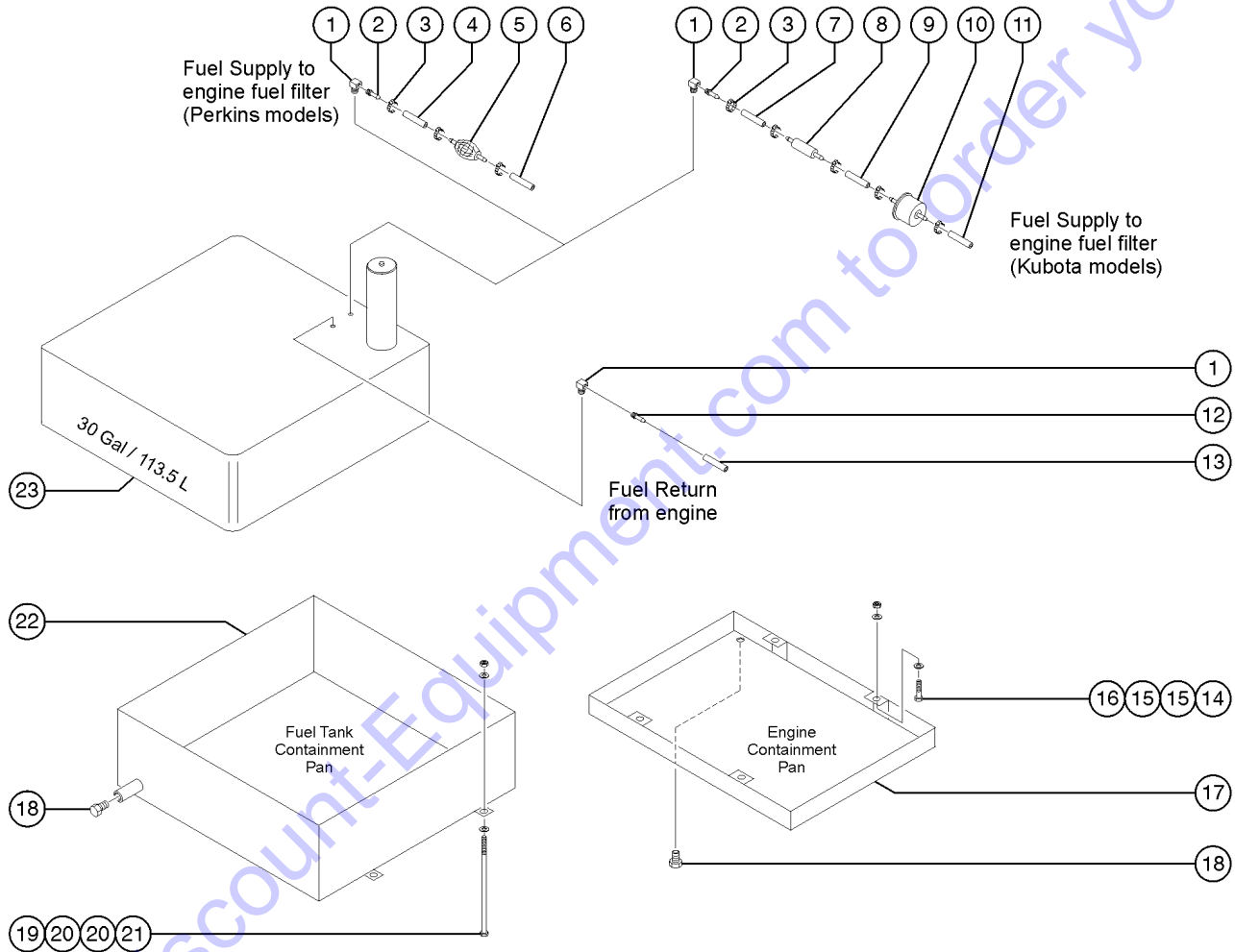
Go to DiscountEquipment.com to order your parts

## 203.2 Fuel Tank and Hoses (models without Spill Containment Option)

Item	Part No.	Description	Qty.	Item	Part No.	Description	Qty.
1	825081GT	GROMMET DAPCO RUBBER SM.....	2	28	188630GT	FUEL TANK PAN, 30 GAL, AL4.....	1
2	825076GT	FITTING 5/16, WITH TUBE.....	1			<i>for single and dual tank configurations</i>	
3	792750GT	CLAMP 7/16 TO 25/32		29	162280GT	FUEL TANK,30 GAL W DRAIN HOLE.....	1
4	890795GT	HOSE,FUEL,5/16"ID.....	15-feet			<i>for dual-tank configuration</i>	
5	85155GT	PUMP,PRIMER,PERKINS***.....	1	--	217717GT	CAP FUEL RL4/AL4 WITH TETHER	
		<i>Perkins models</i>		--	218075GT	CAP FUEL AL4 GAGE W TETHER	
6	890795GT	HOSE,FUEL,5/16"ID.....	2.5-feet			<i>with fuel-level gauge</i>	
7	890795GT	HOSE,FUEL,5/16"ID.....	1-feet	--	22109505GT	KIT: FUEL TANK DRAIN PLUG	
8	740620GT	FILTER,IN-LINE,FUEL,5/16"		--	217717GT	CAP FUEL RL4/AL4 WITH TETHER	
		<i>Kubota models</i>		--	218075GT	CAP FUEL AL4 GAGE W TETHER	
9	890795GT	HOSE,FUEL,5/16"ID.....	0.25-feet			<i>with fuel-level gauge</i>	
10	660320GT	PUMP,FUEL, 12VDC.....	1	--	22109505GT	KIT: FUEL TANK DRAIN PLUG	
		<i>Kubota models</i>		30A	189805GT	FP-FUEL TANK 20GAL W/DRAIN.....	1
--	995810GT	SCREW 1/4-20NCX5/8 HW				<i>for dual-tank configuration</i>	
		<i>for 660320GT</i>		31	742220GT	FUEL TNK ASSY,PLAS,30G,AL4.....	1
10A	R890065GT	HOSE FITTING PIPE/BARB 1/8MX.....	2			<i>for single-tank configuration</i>	
		<i>for 660320GT</i>					
11	890795GT	HOSE,FUEL,5/16"ID.....	1.5-feet				
12	825079GT	FITTING 1/8,FITTING FOR DOWN T.....	1				
13	890785GT	HOSE,FUEL,1/8"ID.....	2.5-feet				
14	189790GT	PLUG,DRAIN,FUEL TANK.....	2				
		<i>dual-tank models</i>					
--	189785GT	WASHER RUBBER BUNA-N					
		<i>dual-tank models</i>					
15	990230GT	WASHER,FLAT,3/4 ZP					
		<i>dual-tank models</i>					
16	996375GT	NUT HEX HEAD JAM 3/4-					
		<i>dual-tank models</i>					
17	891190GT	PIPE PLUG 1/8 CS					
		<i>dual-tank models</i>					
18	898575GT	FITTING,TEE,MALE,1/8					
		<i>dual-tank models</i>					
19	R890065GT	HOSE FITTING PIPE/BARB 1/8MX					
		<i>dual-tank models</i>					
20	890790GT	HOSE,FUEL,1/4"ID,PUSH					
		LOK,200#.....	3-feet				
21	116139GT	FUEL TANK PAN,20GAL,AL4.....	1				
		<i>for 189805GT</i>					
22	116157GT	SCREW,CARRIAGE,3/8-16X12,ZP.....	4				
		<i>for 116139GT</i>					
23	981120GT	WASHER FLAT 3/8 ZP SAE BIN.....	4				
		<i>for 116139GT</i>					
24	824025GT	NUT,TL,3/8-16,C,ZAG.....	4				
		<i>for 116139GT</i>					
25	994650GT	SCREW,HHC,1/2-13 X 10.....	4				
		<i>for 188630GT</i>					
26	990210GT	WASHER FLAT 1/2ZP.....	8				
		<i>for 188630GT</i>					
27	990200GT	NUT,NYLOCK,1/2-13 GR2.....	4				
		<i>for 188630GT</i>					



204.1 Fuel Tank and Hoses (models with Spill Containment Option)

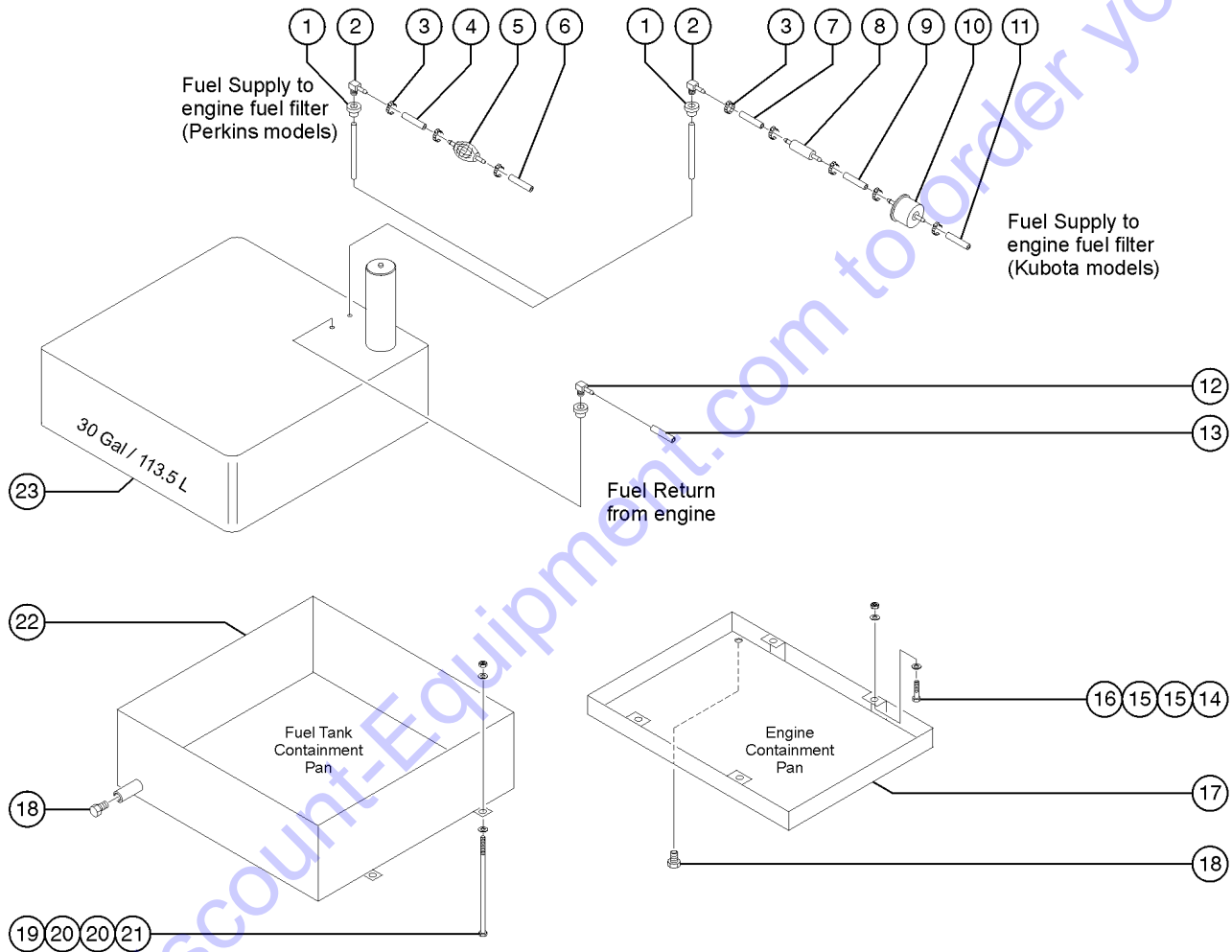


Go to Discount-Equipment.com to order your parts

## 204.1 Fuel Tank and Hoses (models with Spill Containment Option)

Item	Part No.	Description	Qty.
1		Ref. PIPE FITTING (refer to 203.1)	
2		Ref. HOSE FITTING (refer to 203.1)	
3		Ref. CLAMP (refer to 203.1)	
4		Ref. Hose (refer to 203.1)	
5		Ref. PUMP, PRIMER (refer to 203.1)	
6		Ref. FUEL HOSE (refer to 203.1)	
7		Ref. FUEL HOSE (refer to 203.1)	
8		Ref. FILTER, IN-LINE (refer to 203.1)	
9		Ref. FUEL HOSE (refer to 203.1)	
10		Ref. PUMP, FUEL (refer to 203.1)	
11		Ref. FUEL HOSE (refer to 203.1)	
12		Ref. HOSE FITTING (refer to 203.1)	
13		Ref. FUEL HOSE (refer to 203.1)	
14	992590GT	SCREW 3/8-16NCX1-1/2H.....	4
15	981120GT	WASHER FLAT 3/8 ZP SAE BIN.....	8
16	824025GT	NUT,TL,3/8-16,C,ZAG.....	4
17	124515GT	BUND FLUIDS CONTAINPA.....	1
18	891194GT	PIPE PLUG 1/2 GALV.....	2
19	995465GT	SCREW,HHC,1/2-13NCX12,GR2.....	4
20	990210GT	WASHER FLAT 1/2ZP.....	8
21	990200GT	NUT,NYLOCK,1/2-13 GR2.....	4
22	124445GT	BUND FUEL CONTAINPAN.....	1
23A		Ref. FUEL TANK (refer to 203.1)	
23B	74225GT	TANK FUEL 20GAL RMPE1	

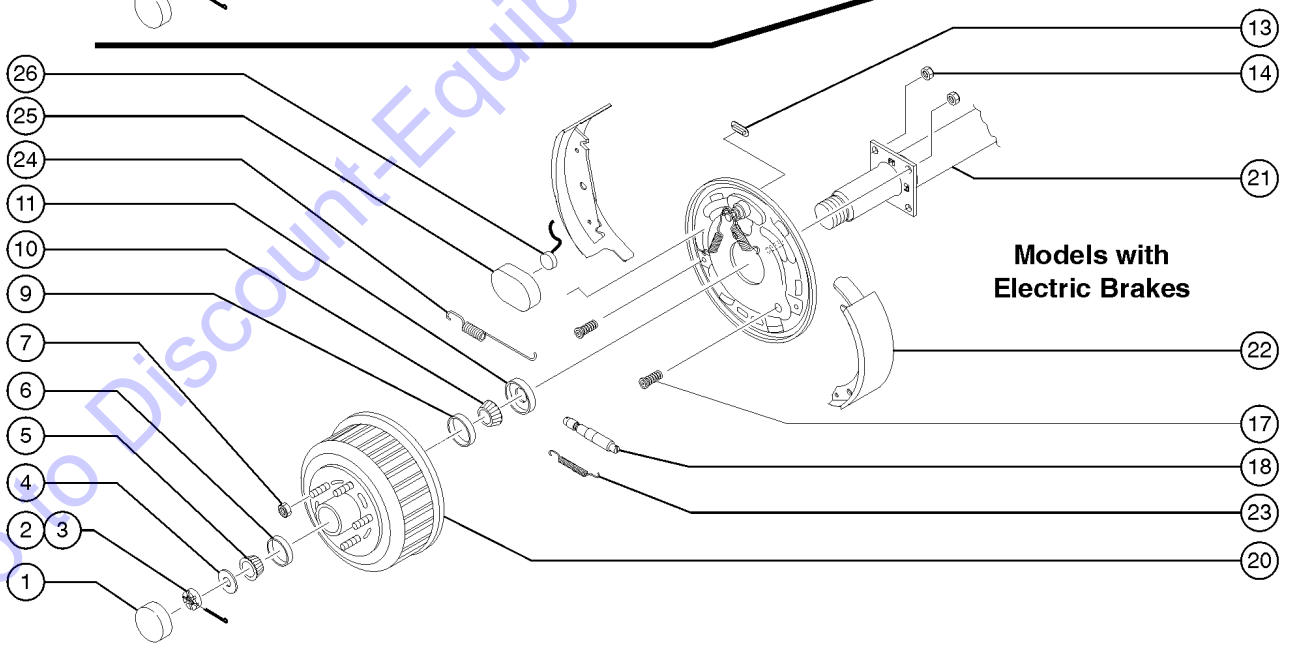
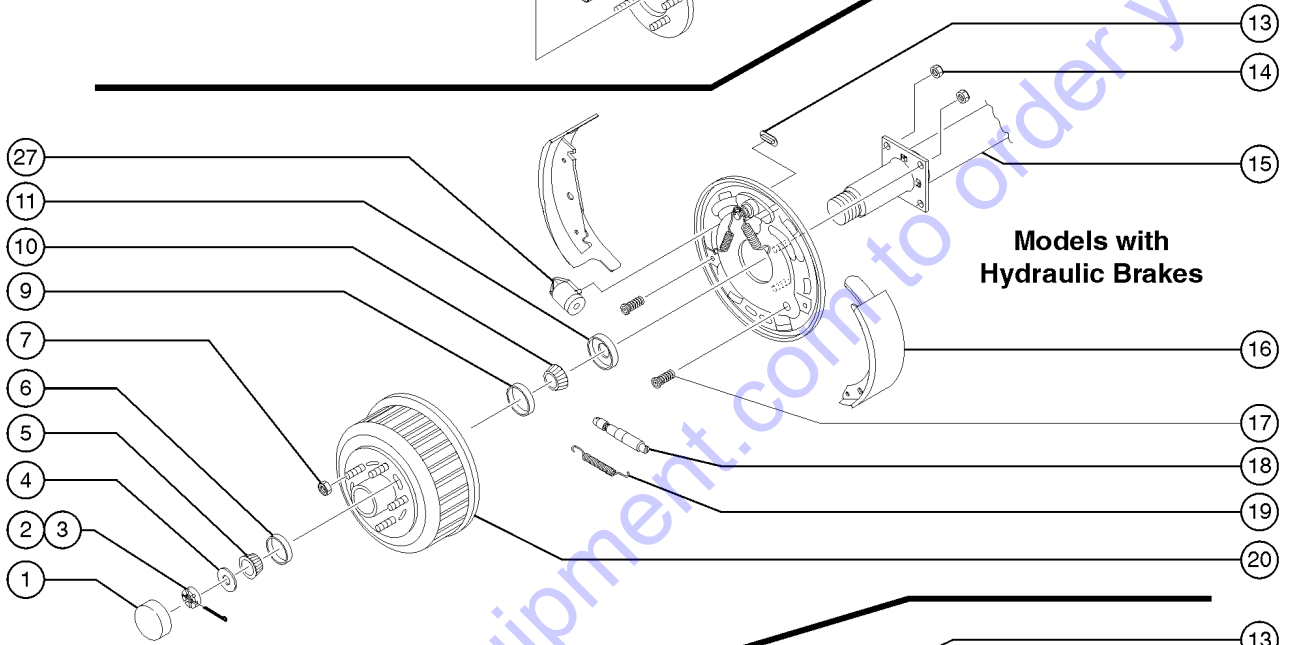
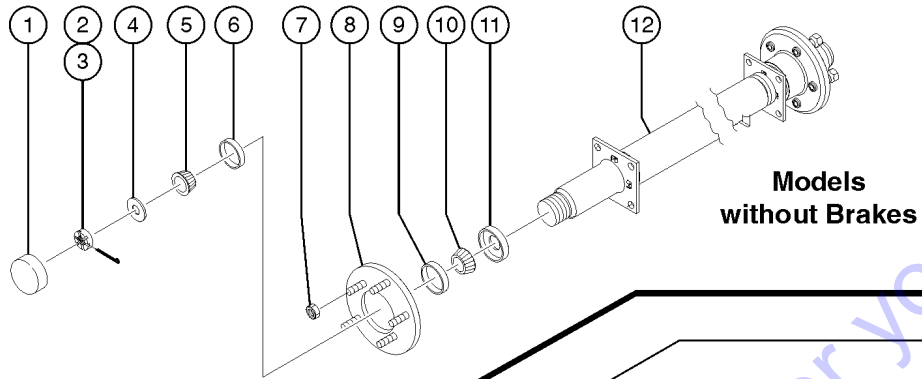
204.2 Fuel Tank and Hoses (models with Spill Containment Option)



## 204.2 Fuel Tank and Hoses (models with Spill Containment Option)

Item	Part No.	Description	Qty.
1		Ref. PIPE FITTING (refer to 203.2)	
2		Ref. HOSE FITTING (refer to 203.2)	
3		Ref. CLAMP (refer to 203.2)	
4		Ref. Hose (refer to 203.2)	
5		Ref. PUMP, PRIMER (refer to 203.2)	
6		Ref. FUEL HOSE (refer to 203.2)	
7		Ref. FUEL HOSE (refer to 203.2)	
8		Ref. FILTER, IN-LINE (refer to 203.2)	
9		Ref. FUEL HOSE (refer to 203.2)	
10		Ref. PUMP, FUEL (refer to 203.2)	
11		Ref. FUEL HOSE (refer to 203.2)	
12		Ref. HOSE FITTING (refer to 203.2)	
13		Ref. FUEL HOSE (refer to 203.2)	
14	992590GT	SCREW 3/8-16NCX1-1/2H.....	4
15	981120GT	WASHER FLAT 3/8 ZP SAE BIN.....	8
16	824025GT	NUT,TL,3/8-16,C,ZAG.....	4
17	124515GT	BUND FLUIDS CONTAINPA.....	1
18	891194GT	PIPE PLUG 1/2 GALV.....	2
19	995465GT	SCREW,HHC,1/2-13NCX12,GR2.....	4
20	990210GT	WASHER FLAT 1/2ZP.....	8
21	990200GT	NUT,NYLOCK,1/2-13 GR2.....	4
22	124445GT	BUND FUEL CONTAINPAN.....	1
23A		Ref. FUEL TANK (refer to 203.2)	
23B	74225GT	TANK FUEL 20GAL RMPE1	

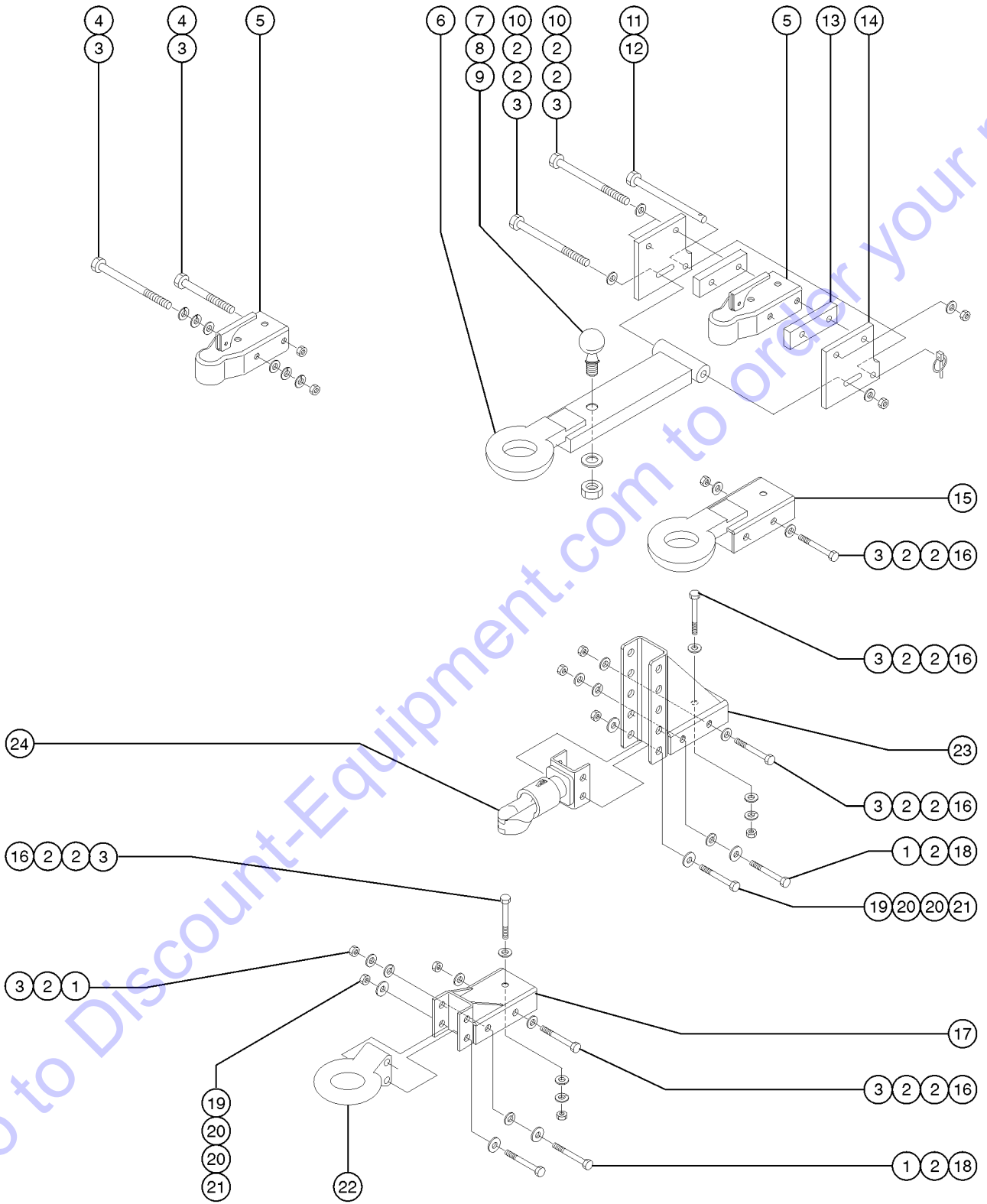
205.1 Axles and Brakes



Go to Discount-Equipment.com to order your parts

Item	Part No.	Description	Qty.
1	834228GT	GREASE CAP, AXLE, 3000LB.....	2
2	834250GT	HAMMERBLOW SPINDLE NUT,AXLE....	2
3	834255GT	HAMMERBLOW 033008COTTER PIN....	2
4	147123GT	WASHER,PLAIN,1".....	2
5	230561GT	BEARING,ALXL,840377,841050.....	2
6	230562GT	RACE,ALXL,840377,841050.....	2
7	840376GT	NUT,WHEEL, 1/2 X 20.....	10
8	230566GT	IDLER HUB,ALXL.....	2
9	230563GT	RACE,ALXL,840377,841050.....	2
10	834226GT	INNER BEARING.....	2
11	52265GT	SEAL,GREASE (SL173)..... <i>replaced 834225GT</i>	2
12	841050GT	AXLE ASSY,3500LB,IDLE,AL4..... <i>includes items 1-11</i>	1
13		COVER,ADJ SCREW,ALXL,BRAKE..... <i>(no longer available from supplier)</i>	2
14	230560GT	NUT,7/16,FH,ZINC,BRAKE, ALXL.....	10
15A	22105016GT	ASY:AXLE 3500LB W/HYD BRAKE <i>models with ball hitch; includes items 1-11, 13-20 and 26</i>	
15B	22105013GT	ASY:AXLE 3500LB W/HYD BRAKE <i>models with ring hitch; includes items 1-11, 13-20 and 26</i>	
16	230571GT	SHOE AND LINING KIT,ALXL,ELEC.....	2
17	230577GT	SHOE HOLD DOWN SPRING,ALXL.....	4
18	230569GT	ADJUSTER SCREW ASSY, ALXL.....	2
19		ADJUSTER SPRING,E BRAKE,ALXL..... <i>(no longer available from supplier)</i>	2
20	230565GT	BRAKE DRUM,ALXL.....	2
21	116941GT	AXLE ASSY ELE,3500 W/PRK BRK <i>includes items 1-11, 13-14, 17-18 and 20-26</i>	
22	230570GT	SHOE AND LINING KIT,ALXL,HYD.....	2
23	230573GT	ADJUSTER SPRING,H BRAKE,ALXL.....	2
24	230575GT	RETRACTOR SPRING,E BRK,ALXL.....	2
25	230568GT	MAGNET,ELEC BRAKE, ALXL.....	2
26	230567GT	MAGNET SPRING,ELEC BRAKE,ALXL.....	2
27A	230579GT	WHEEL CYLINDER, LH, ALXL.....	2
27B	230580GT	WHEEL CYLINDER, RH, ALXL.....	2

206.1 Hitches



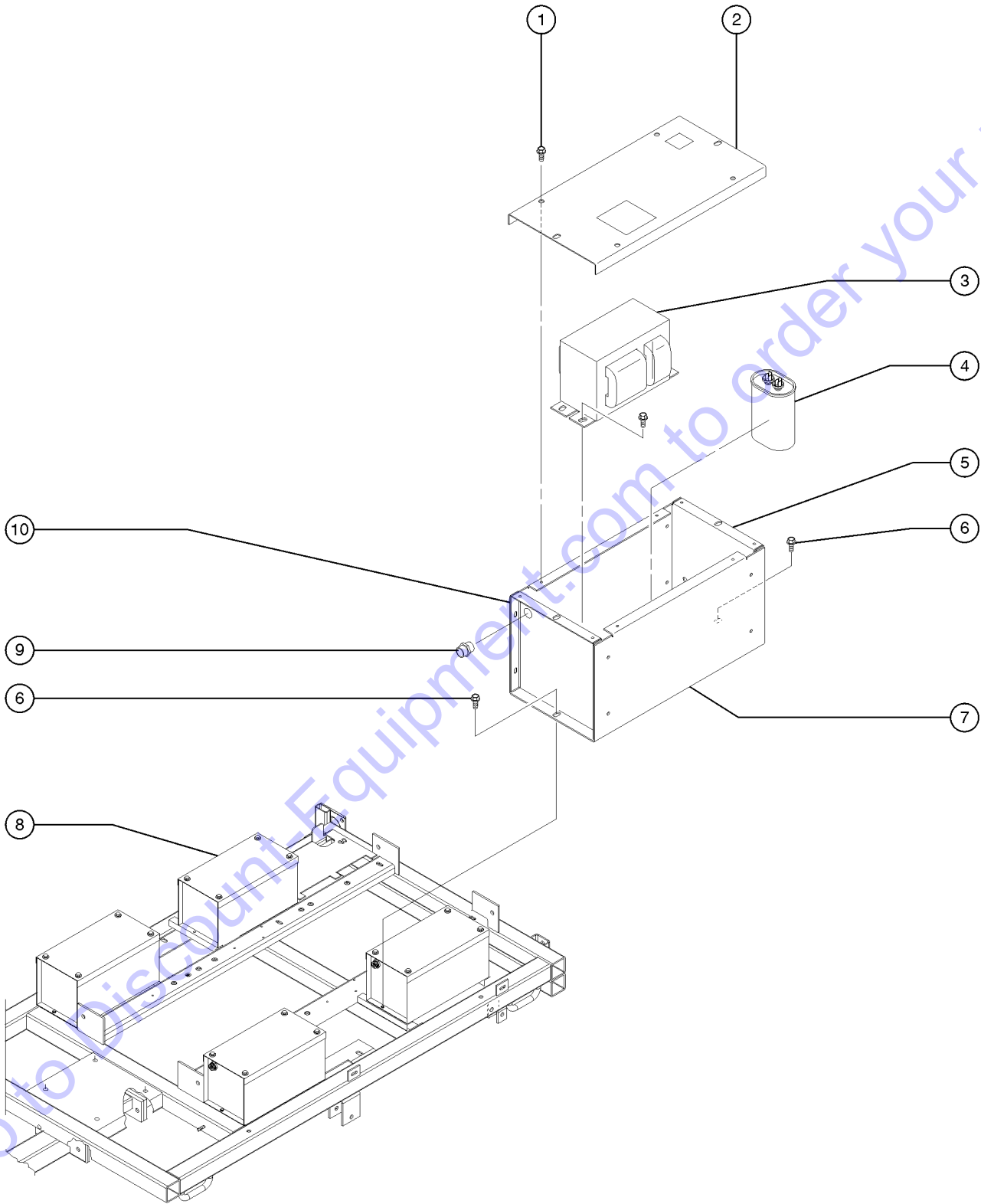
Go to Discount-Equipment.com to order your parts

Item	Part No.	Description	Qty.
1	991650GT	WASHER LOCK 1/2ZP.....	2
2	6095GT	WASHER,FLAT,USS,1/2",Y	
3	6198GT	NUT,NYLOCK,1/2-13	
4	995310GT	SCREW,HHC,1/2-13 X 4 G.....	2
5A	57332GT	COUPLER,BALL,2" CLASS II	
5B	227082GT	COUPLER,BALL,2 5/16	
6	T109127GT	HITCH RING,COMBO,16"LENGTH.....	1
7	89163GT	BALL, 2" ZINC.....	1
8	122079GT	WASHER,FLAT,1.000,HARDENED.....	1
9	33265GT	NUT,HEX,1-8.....	1
10	1262632GT	SCREW,HHC,1/2-13 X 6 GR8 ZP.....	3
11	183731GT	SCREW,HHC,1/2-13 X 6.....	1
12	790540GT	PIN QUICK 1/4X 1.75 ZP.....	1
13	T109129GT	SPACER,SIDE,COMBO,HTCH,BOLT-ON.2	
14	176335GT	PLATE,SIDE,COMBO HITCH,BOLT-ON.....	2
15	213770GT	HITCH,RING,BOLT-ON 2.5" ID.....	1
16	13854GT	SCREW,HHC,1/2-13 X 4.5,GRD.8.....	2
17	116936GT	AS-RING HITCH MOUNT.....	1
18	6-5208-44GT	SCREW,HHC,1/2-13 X 5.5,GRD.8.....	1
19	123461GT	SCREW,HHC,5/8-11X4.50,GR8,Y.....	2
20	6035GT	WASHER,FLAT,USS,5/8",Y.....	4
21	6024GT	NUT,NYLOCK,5/8-11.....	1
22A	116937GT	HITCH,2.5"RING,6 TON.....	1
22B	T110632GT	HITCH,3"RING,6TON.....	1
23	218691GT	BRACKET ADJ HGT 6".....	1
24A	67231GT	COUPLER 2-5/16" BALL BULLDOG T....	1
24B	67230GT	COUPLER 2" BALL BULLDOG TMZ.....	1

Go to Discount-Equipment.com to order your parts



207.1 Ballast Box

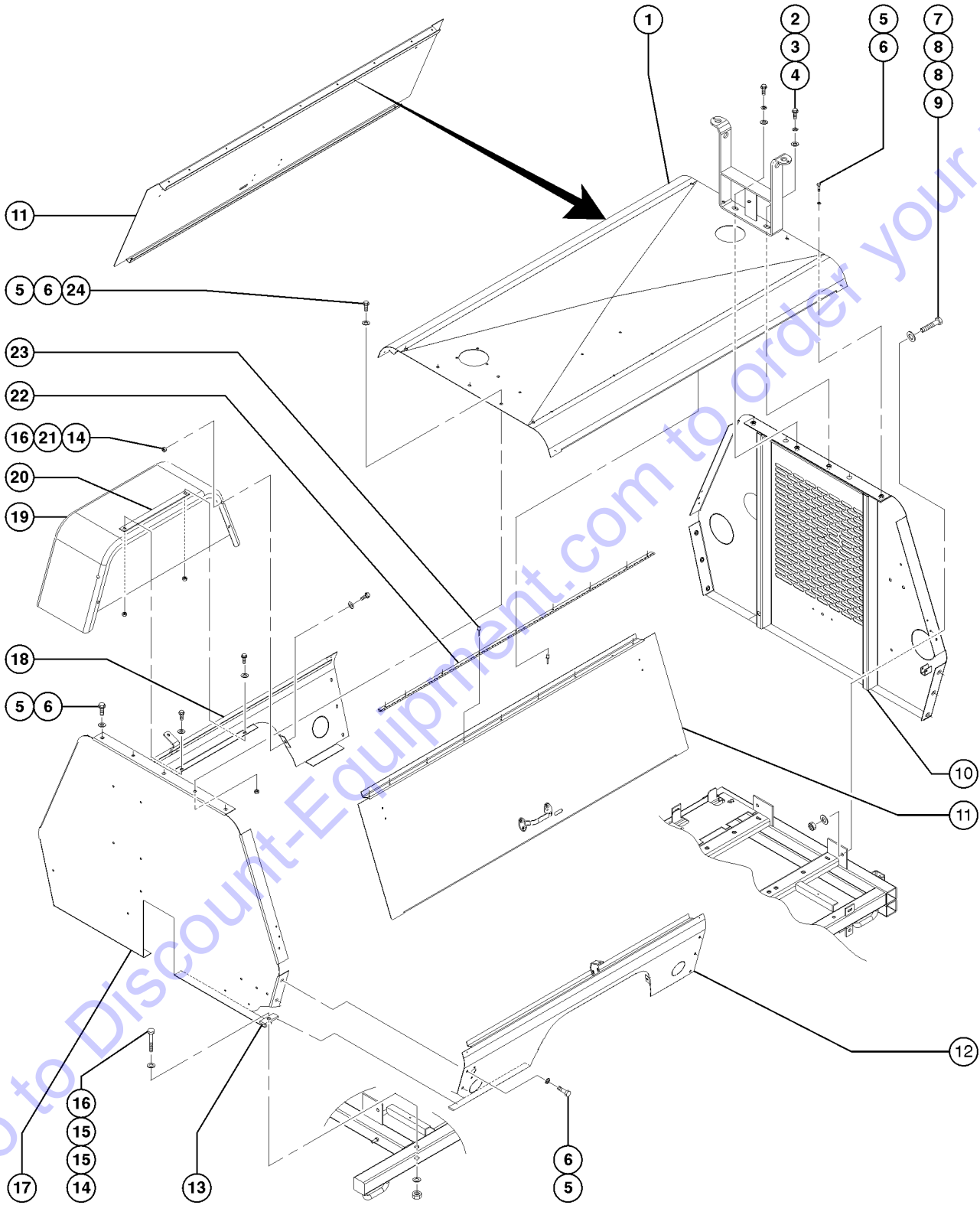


Go to Discount Equipment.com to order your parts

Item	Part No.	Description	Qty.
1	995490GT	SCREW,HH SLOT,1/4 X 0.75	
2	161181GT	FP-BALLAST BOX TOP.....1	
3A	160030GT	BALLAST/CAP MH60Hz120.....1 (includes item 4A)	
3B	160490GT	BALLAST MH 50HZ 120V/ (includes item 4B)	
4A	160032GT	CAPACITOR 24uF MH 60H.....1	
4B	160033GT	CAPACITOR,50HZ MH,26MF(BALLAST	
5	161185GT	FP-BALLAST BOX FRONT.....1	
6	995810GT	SCREW 1/4-20NCX5/8 HW.....8	
7	161180GT	FP-BALLAST BOX BOTTOM.....1	
8A	114355GT	BALLAST ASSY,60HZ,MH,1KW,120V.....1 (without decals, refer to section 1)	
8B	115366GT	BALLAST ASSY,50HZ,MH,1000W (without decals, refer to section 1)	
8C	114895GT	BALLAST ASSY,60HZ,HPS,1000W (without decals, refer to section 1)	
8D	22114359GT	BALLAST ASSY,50HZ,MH,1000W AUS (without decals, refer to section 1)	
9	663860GT	CONNECTOR 5P MALE RECEPTACLE.....1	
10	161184GT	FP-BALLAST BOX REAR.....1	

Go to Discount-Equipment.com to order your parts

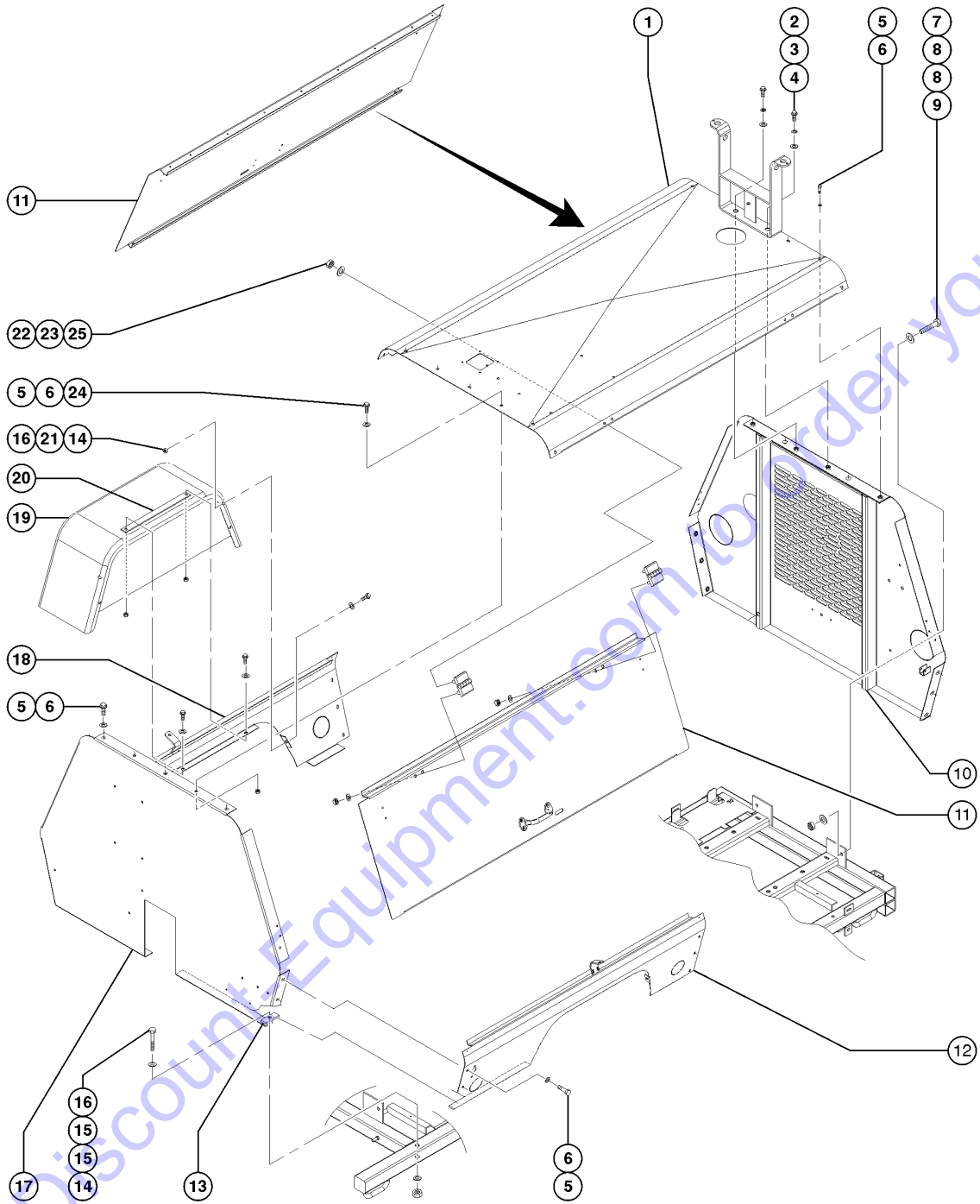
208.1 Cabinet, View 1 (to SN AL413-2416)



## 208.1 Cabinet, View 1 (to SN AL413-2416)

Item	Part No.	Description	Qty.
--	972885GT	KIT:CABINET BOLT-TOGETHER	
--	974635GT	KIT:CABINET MOUNT REAR AL4/5/7	
--	974636GT	KIT:CABINET MOUNT SIDES	
--	974637GT	KIT:CABINET MOUNT FRONT AL4000	
1	188554GT	CABINET TOP PANELAL4 AUTOSTART.....	1
2	994600GT	SCREW 1/2-13NCX1-1/2H	
3	991650GT	WASHER LOCK 1/2ZP	
4	993860GT	WASHER,FLAT,1/2 SS 18-8 BIN	
5	995810GT	SCREW 1/4-20NCX5/8 HW	
6	75144GT	WASHER,FLAT,SAE 1/4,ZINC	
7	990270GT	SCREW,HHC,1/2-13 X 3.5 GR8	
8	6095GT	WASHER,FLAT,USS,1/2",Y	
9	6198GT	NUT,NYLOCK,1/2-13	
10B	230738GT	AS-PANEL, REAR,CABINET,AL4.....	1
10C	T111131GT	CABINET REAR PANEL BLKOUT (for models with blackout light option)	
11	188560GT	PANEL,DOOR,CABINET,AL4.....	2
12A	188570GT	PANEL,CABINET, ROAD SIDE.....	1
12B	T111112GT	PANEL,CABINET,RDSIDE BLKOUT (for models with blackout light option)	
13	993900GT	WASHER RECTANGULAR1/4.....	2
14	990160GT	SCREW,HHC,3/8-16 X 3.75	
15	990080GT	WASHER FLAT 3/8USS ZPBIN	
16	824025GT	NUT,TL,3/8-16,C,ZAG	
17	188530GT	CABINET FRONT PANELAL.....	1
18A	188580GT	PANEL,CABINET, CURB SIDE.....	1
18B	T111113GT	PANEL,CABINET,CRBSIDE BLKOUT (for models with blackout light option)	
19	123490GT	FENDER W/SKIRT,STEEL.....	2
20	930950GT	WTHRSRIP, 1/4" X 1/2"W.....	2
21	990340GT	WASHER FLAT 1/4ZPLENSETBIN	
22	796610GT	HINGE,PIANO,1.5"W X 51.75"L.....	2
23	990670GT	RIVET,POP,SS,3/16"X1/2" BLIND	
24	824024GT	NUT,TL,1/4-20,C,ZAG	

208.2 Cabinet, View 1 (from SN AL413-2417)

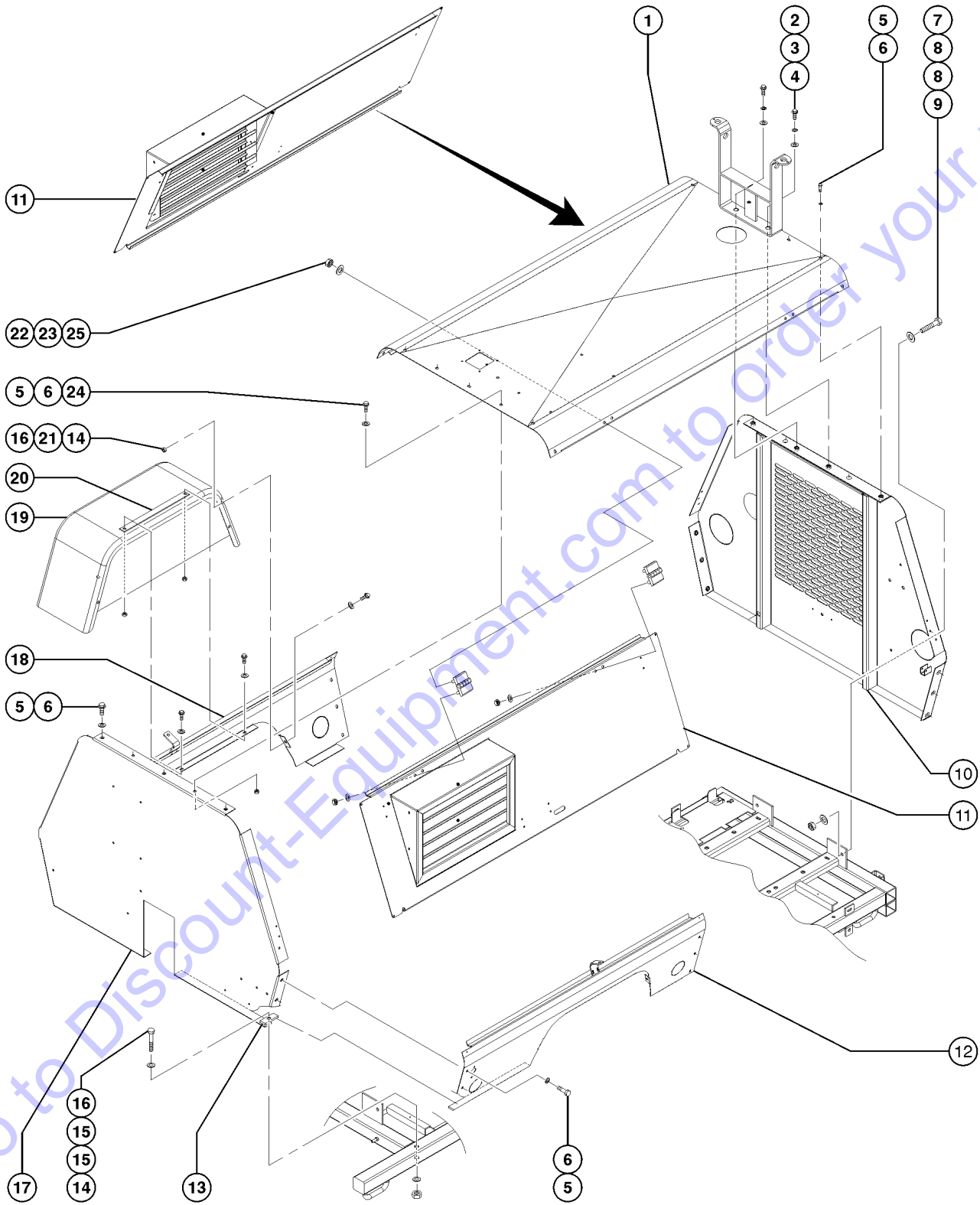


Go to Discount Equipment.com to order your parts

## 208.2 Cabinet, View 1 (from SN AL413-2417)

Item	Part No.	Description	Qty.
--	972885GT	KIT:CABINET BOLT-TOGETHER	
--	974635GT	KIT:CABINET MOUNT REAR AL4/5/7	
--	974636GT	KIT:CABINET MOUNT SIDES	
--	974637GT	KIT:CABINET MOUNT FRONT AL4000	
1	160422GT	TOP, CABINET, AL4 BUTT HINGE.....1	
2	994600GT	SCREW 1/2-13NCX1-1/2H	
3	991650GT	WASHER LOCK 1/2ZP	
4	993860GT	WASHER,FLAT,1/2 SS 18-8 BIN	
5	995810GT	SCREW 1/4-20NCX5/8 HW	
6	75144GT	WASHER,FLAT,SAE 1/4,ZINC	
7	990270GT	SCREW,HHC,1/2-13 X 3.5 GR8	
8	6095GT	WASHER,FLAT,USS,1/2",Y	
9	6198GT	NUT,NYLOCK,1/2-13	
10B	230738GT	AS-PANEL, REAR,CABINET,AL4.....1	
10C	T111131GT	CABINET REAR PANEL BLKOUT (for models with blackout light option)	
11	160423GT	DOOR, CABINET, AL4, BUTT HINGE....2	
12A	188570GT	PANEL,CABINET, ROAD SIDE.....1	
12B	T111112GT	PANEL,CABINET,RDSIDE BLKOUT (for models with blackout light option)	
13	993900GT	WASHER RECTANGULAR1/4.....2	
14	990160GT	SCREW,HHC,3/8-16 X 3.75	
15	990080GT	WASHER FLAT 3/8USS ZPBIN	
16	824025GT	NUT,TL,3/8-16,C,ZAG	
17	188530GT	CABINET FRONT PANELAL.....1	
18A	188580GT	PANEL,CABINET, CURB SIDE.....1	
18B	T111113GT	PANEL,CABINET,CRBSIDE BLKOUT (for models with blackout light option)	
19	123490GT	FENDER W/SKIRT,STEEL.....2	
20	930950GT	WTHRSRIP, 1/4" X 1/2"W.....2	
21	990340GT	WASHER FLAT 1/4ZPLENSETBIN	
22	237832GT	NUT,TL FLG,M8-1.25,DIN6927,10,ZAB.....2	
23	5397GT	WASHER,FLAT,USS,5/16",Y	
24	824024GT	NUT,TL,1/4-20,C,ZAG	
25	160421GT	HINGE, BUTT	

208.3 Cabinet, View 1 (models with Spill Containment Option)

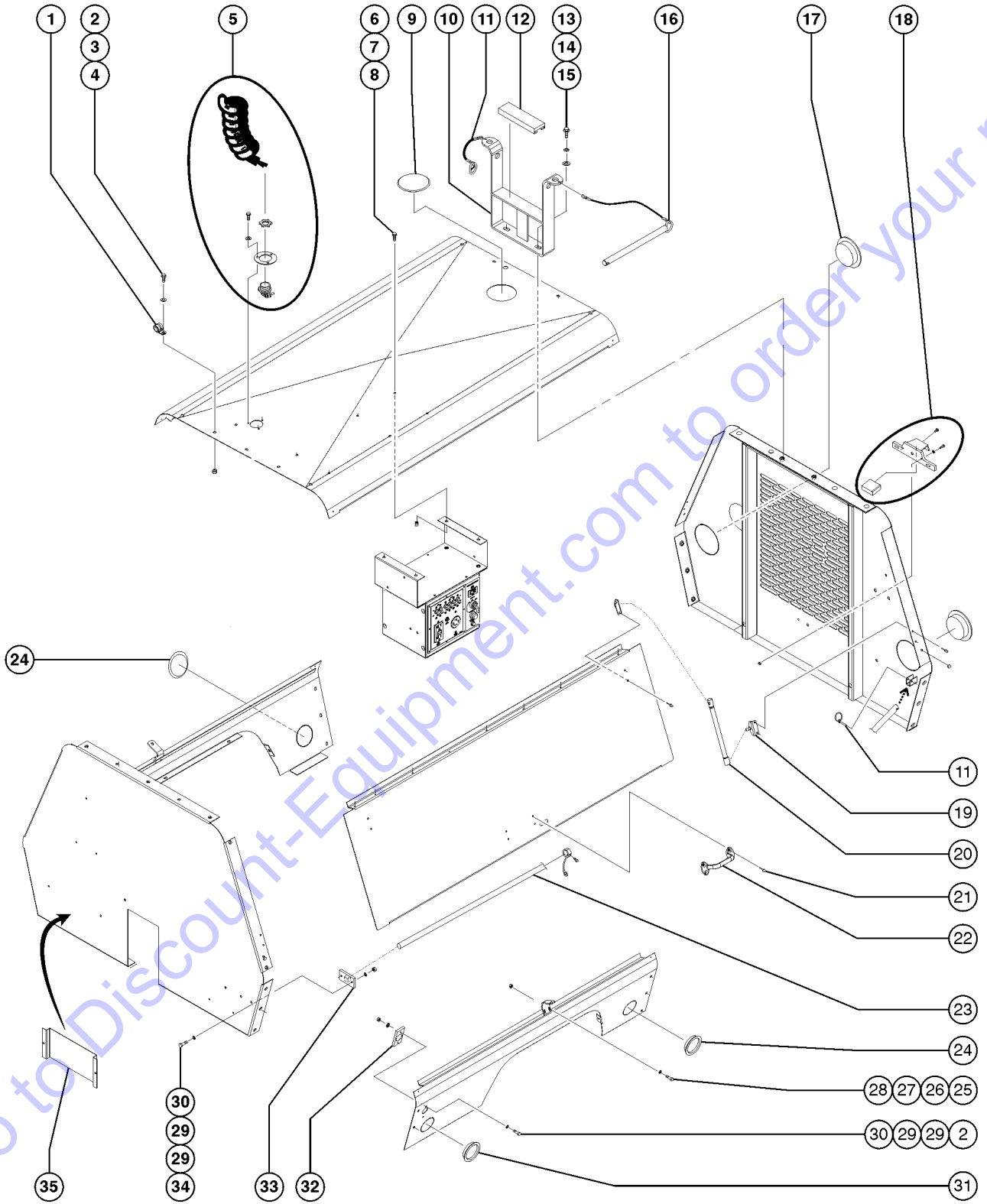


## 208.3 Cabinet, View 1 (models with Spill Containment Option)

Item	Part No.	Description	Qty.
--	972885GT	KIT:CABINET BOLT-TOGETHER	
--	974635GT	KIT:CABINET MOUNT REAR AL4/5/7	
--	974636GT	KIT:CABINET MOUNT SIDES	
--	974637GT	KIT:CABINET MOUNT FRONT AL4000	
1	160422GT	TOP, CABINET, AL4 BUTT HINGE.....1	
2	994600GT	SCREW 1/2-13NCX1-1/2H	
3	991650GT	WASHER LOCK 1/2ZP	
4	993860GT	WASHER,FLAT,1/2 SS 18-8 BIN	
5	995810GT	SCREW 1/4-20NCX5/8 HW	
6	75144GT	WASHER,FLAT,SAE 1/4,ZINC	
7	990270GT	SCREW,HHC,1/2-13 X 3.5 GR8	
8	6095GT	WASHER,FLAT,USS,1/2",Y	
9	6198GT	NUT,NYLOCK,1/2-13	
10B	230738GT	AS-PANEL, REAR,CABINET,AL4.....1	
10C	T111131GT	CABINET REAR PANEL BLKOUT (for models with blackout light option)	
11A	1284614GT	WELDMENT, DOOR, LOUVRED, CS, AL4.....1 (for models with spill containment option)	
11B	1284615GT	WELDMENT, DOOR, LOUVRED, RS, AL4.....1 (for models with spill containment option)	
12A	188570GT	PANEL,CABINET, ROAD SIDE.....1	
12B	T111112GT	PANEL,CABINET,RDSIDE BLKOUT (for models with blackout light option)	
13	993900GT	WASHER RECTANGULAR1/4.....2	
14	990160GT	SCREW,HHC,3/8-16 X 3.75	
15	990080GT	WASHER FLAT 3/8USS ZPBIN	
16	824025GT	NUT,TL,3/8-16,C,ZAG	
17	188530GT	CABINET FRONT PANELAL.....1	
18A	188580GT	PANEL,CABINET, CURB SIDE.....1	
18B	T111113GT	PANEL,CABINET,CRBSIDE BLKOUT (for models with blackout light option)	
19	123490GT	FENDER W/SKIRT,STEEL.....2	
20	930950GT	WTHRSRIP, 1/4" X 1/2"W.....2	
21	990340GT	WASHER FLAT 1/4ZPLENSETBIN	
22	237832GT	NUT,TL FLG,M8-1.25,DIN6927,10,ZAB.....2	
23	5397GT	WASHER,FLAT,USS,5/16",Y	
24	824024GT	NUT,TL,1/4-20,C,ZAG	
25	160421GT	HINGE, BUTT	

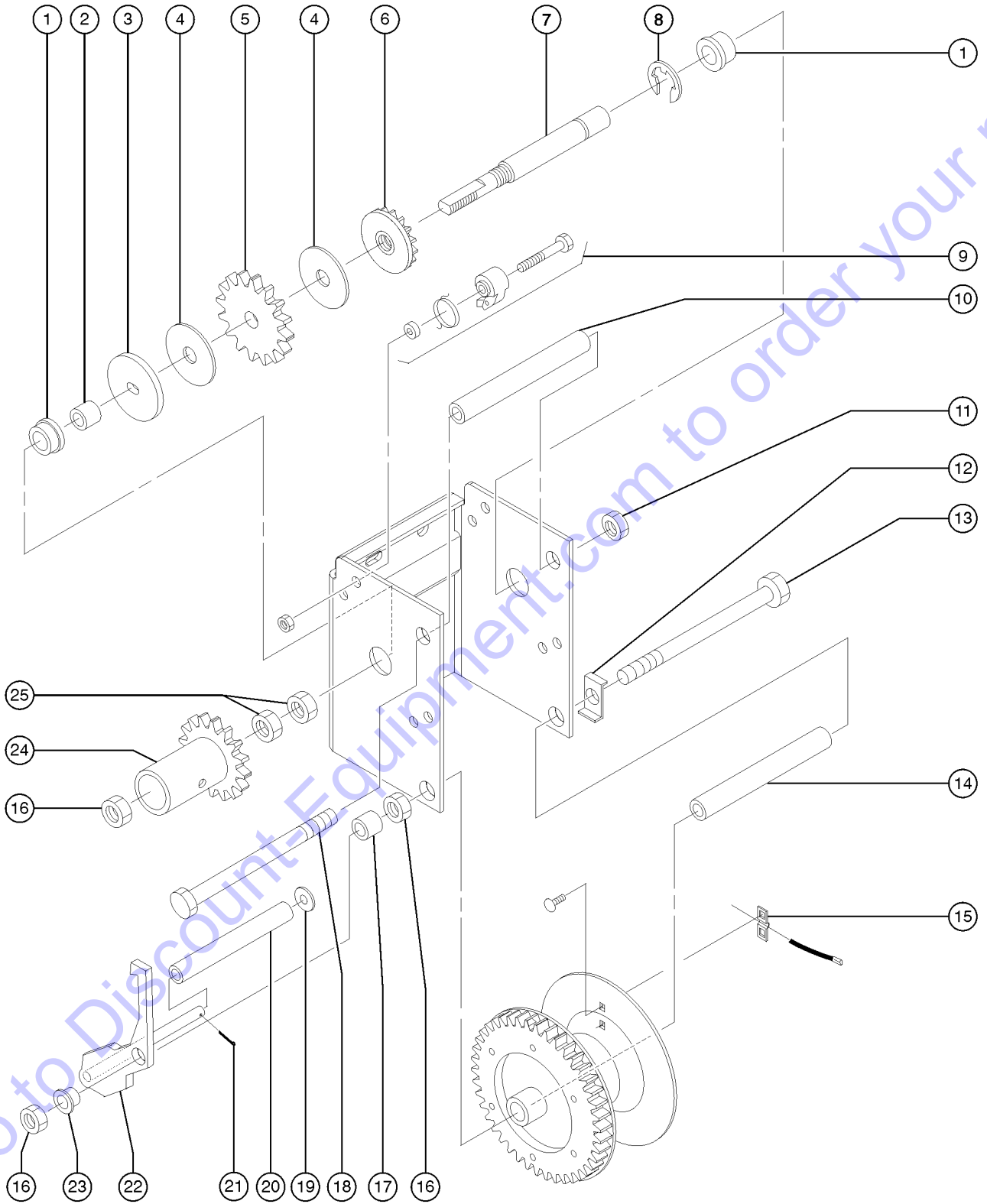


209.1 Cabinet, View 2



Item	Part No.	Description	Qty.
1	684200GT	CLAMP CABLE 5/8 1-HOL	
2	995810GT	SCREW 1/4-20NCX5/8 HW	
3	75144GT	WASHER,FLAT,SAE 1/4,ZINC	
4	824024GT	NUT,TL,1/4-20,C,ZAG	
5		Ref. Coil Cord Kit (refer to 413.1)	
6	C51601570GT	SCREW FLANGE 3/8X 3/4	
7	T109006GT	WASHER,FLAT BOUNDED,3/16X1/2	
8	993310GT	NUTSERT,1/4-20	
9	57587GT	PLUG, 4", CAPPLUG.....1	
10	124460GT	REAR TOWER SUPPORT1-C.....1	
11	790540GT	PIN QUICK 1/4X 1.75 ZP.....1	
12	720220GT	BUMPER REAR TOWER SUP.....1	
13	994600GT	SCREW 1/2-13NCX1-1/2H	
14	991650GT	WASHER LOCK 1/2ZP	
15	993860GT	WASHER,FLAT,1/2 SS 18-8 BIN	
16	123680GT	PIN W/RING 3/4X11,HORZ LOCK.....1	
17A	663840GT	LIGHT,RECESSED,TAIL/STOP/TURN....2	
17B	T110631GT	LIGHT,REAR,BLACK OUT	
18	663520GT	LIGHT,LICENSE TAG W/BRACKET.....1	
19	796432GT	BRACKET W/BALL,GAS SPRING.....1	
20	796436GT	SPRING,GAS,16",60LBS.....4	
21	990670GT	RIVET,POP,SS,3/16"X1/2" BLIND	
22	790940GT	HANDLE,CHROME,5.75".....2	
23	113399GT	MA-GROUND ROD LT. TWR.....1	
24A	663528GT	LIGHT,SIDE MKR,RED,RECESSED.....2	
24B	T110629GT	LIGHT,SIDE MKR,RED,BLACK OUT	
25	1258649GT	SCREW, PANHEAD, 10-32 X 5/8	
26	R980300GT	WASHER FLAT #10 STAINLESS	
27	189796GT	HASP CABINET DOOR5584AL4/5	
28	824024GT	NUT,TL,1/4-20,C,ZAG	
29	993850GT	WASHER FLAT 1/45/8 SBIN	
30	824024GT	NUT,TL,1/4-20,C,ZAG	
31A	663527GT	LIGHT,SIDE MKR,AMBER,RECESSED.....2	
31B	T110630GT	LIGHT,SIDE MRK,YEL.,BLACK OUT	
32	184150GT	BUSHING,WNCH HANDL,0.5X2.0X3.5..1	
33	124420GT	GROUND ROD STORAGE TUBE 4397...1	
34	994130GT	SCREW,HHC,1/4-20 X 1	
35	162189GT	KIT:BOOK BRACKET TO CAB.....1	

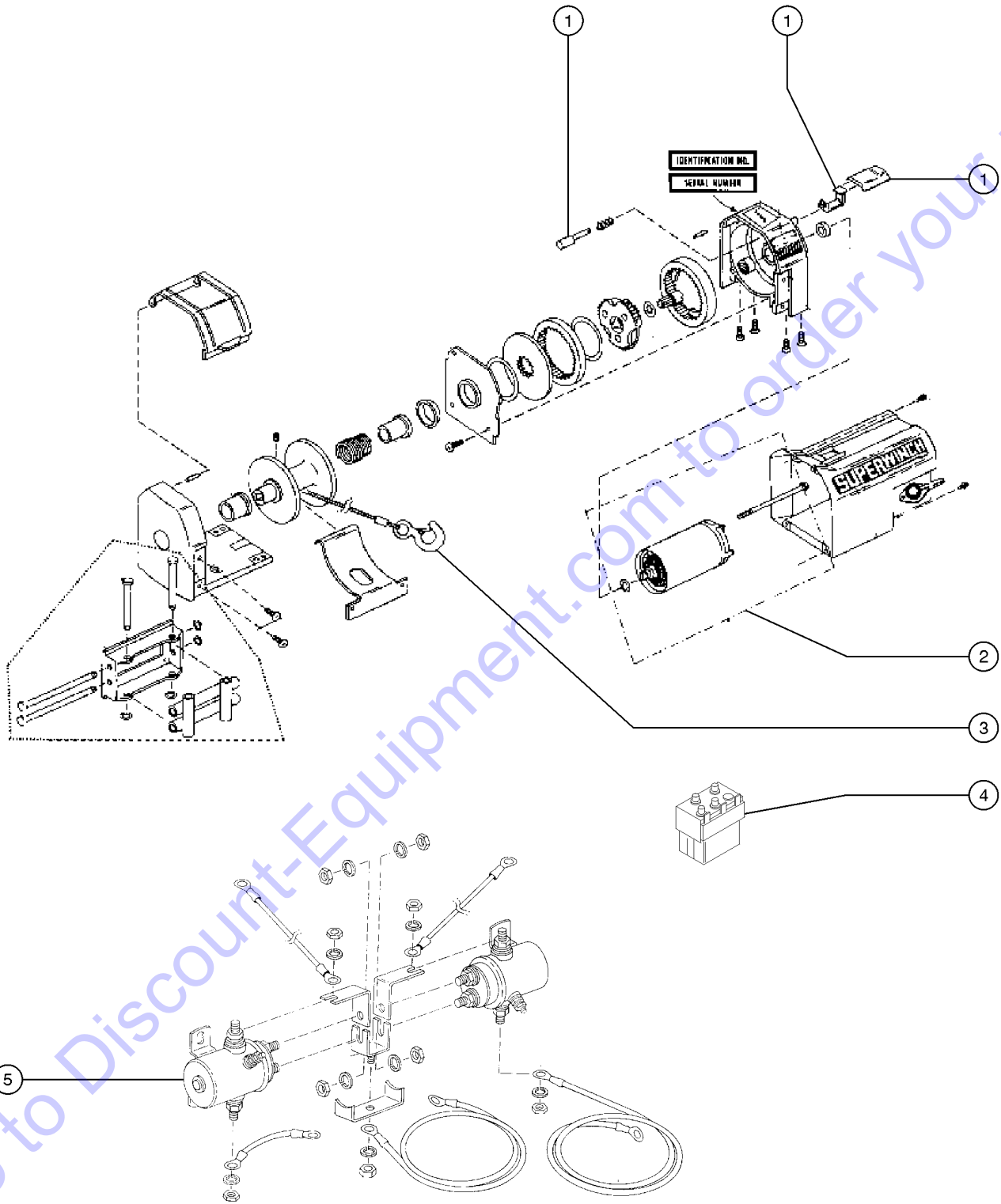
210.1 Winch



Go to Discount-Equipment.com to order your parts

Item	Part No.	Description	Qty.
--	105756GT	PM KIT;WINCH,ELECTRIC <i>(electric winch option)</i>	
--	109485GT	KIT-WINCH W/SAFETY LO <i>(includes items 1-25)(handle not included)</i>	
--	740050-1GT	KIT- WINCH - SOCKET FULTON <i>(includes items 1-16 and 24-25)</i>	
--	970760GT	WINCH HANDLE TO WINCH(1500LB)....1	
1	1256081GT	SERVICE KIT,PINION SHAFT-K1550.....2	
2	1256082GT	SERVICE KIT,PINION SHAFT-K2550.....1	
3	1256081GT	SERVICE KIT,PINION SHAFT-K1550.....1	
4	1256083GT	SVC KIT, FRICTION DISC K/KX.....2	
5	1256081GT	SERVICE KIT,PINION SHAFT-K1550.....1	
6		PINION GEAR AND DISC K-1550 (7590).....1 <i>(not sold separately)</i>	
7		Ref. Pinion Shaft <i>(not sold separately)</i>	
8		RETAINING RING (6200).....1 <i>(not sold separately)</i>	
9	6291GT	RATCHET KIT (K-1500,K-1550)** .....1	
10		FRAME SPACER,K-1550 (7584).....1 <i>(not sold separately)</i>	
11	12012GT	NUT,LOCK,3/8-16.....1	
12		WINCH BRACKET, DRUM BOLT LOCK (31946).....1 <i>(not sold separately)</i>	
13	22832GT	SCREW,HHC,3/8-16 X 6.....2	
14	6184GT	SPACER, DRUM BOLT, K-1550	
15	6190GT	CABLE KEEP.KIT (BRACKET TYPE)* .....1 <i>(includes fasteners)</i>	
16	6198GT	NUT,NYLOCK,1/2-13.....1	
17	124857GT	SPACER .5 ID 1.25ODNO. 5968.....1	
18	69209GT	SCREW,HHC,3/8-16 X 5.5 GRD 8	
19	980480GT	WASHER FLAT C816L S/S.....1	
20	124858GT	BUSHING,WINCH ROLLER LOCK.....1	
21	990650GT	COTTER PIN 1/8X1 SSBIN STOCK.....1	
22	124855GT	RATCHET ARM FULTONWI.....1	
--	109486GT	KIT-WINCH SAFETY LOCK <i>(includes items 13, 15-21, and 23)</i>	
23	124856GT	BUSHING FLANGE 1.25OD.....1	
24	124860GT	HANDLE SOCKET RATCHET.....1	
25	6034GT	NUT,HEX,JAM,1/2-13.....2	

211.1 Electric Winch

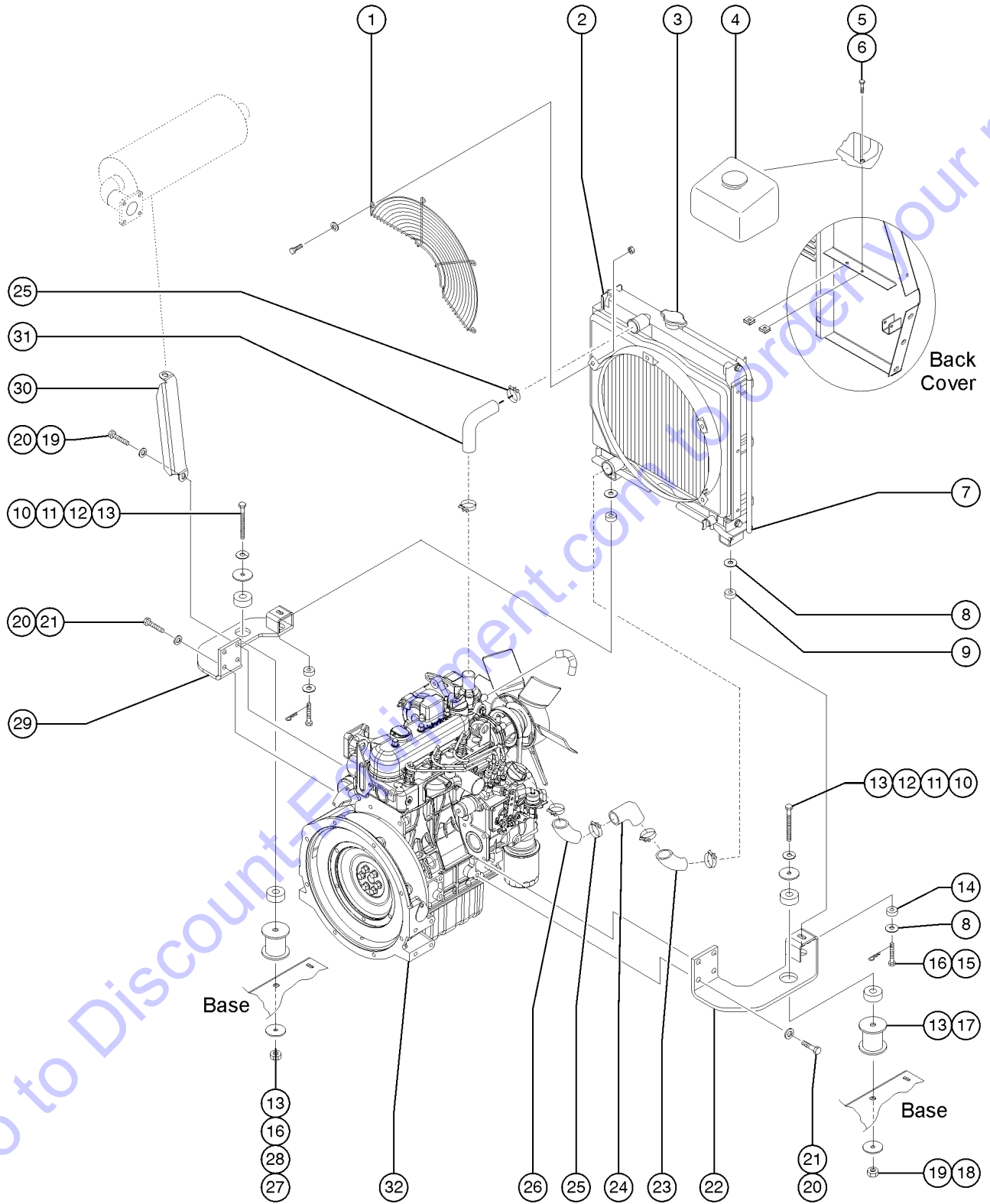


Go to Discount-Equipment.com to order your parts

Item	Part No.	Description	Qty.
--		WINCH W/SOLENOIDS 4000LB (available soon)	
1	219228GT	FREEWHEEL KIT,SUPERWINCH.....1	
2	219224GT	12V MOTOR ASSY,SUPERWINCH.....1	
3	109065GT	KIT- CABLE ASSY LOWER 1/4" AL4.....1	
4	160750GT	SOLENOID W/BRACKET SUPERWINCH.....1	
5	219225GT	12V WIRED SOLENOID,SUPERWINCH.....2	

Go to Discount-Equipment.com to order your parts

301.1 Kubota D1105-E3BG, View 1 (to serial number AL414-2720)

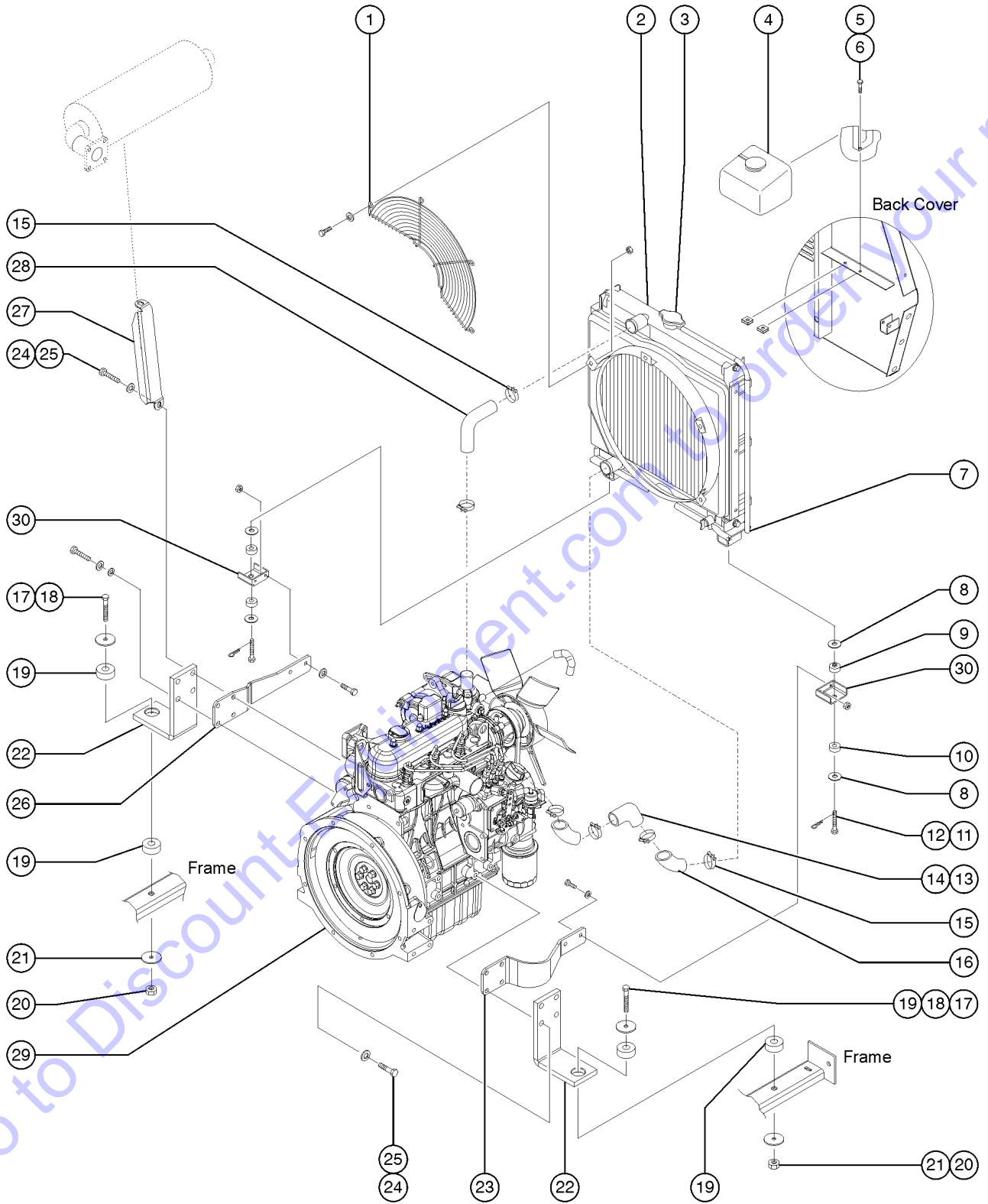


## 301.1 Kubota D1105-E3BG, View 1 (to serial number AL414-2720)

Item	Part No.	Description	Qty.	Item	Part No.	Description	Qty.
1	866113GT	GUARD,FAN,KUBOTA.....	1	29	22124016GT	ENGINE FOOT/RAD SUPPORT,CURBSD.....	1
2	866110GT	RADIATOR, KUBOTA, D905 & D1105.....	1	30	116733GT	MUFFLER BRACE.....	1
3A	110523GT	CAP,RADIATOR,AL,KUBOTA DF-752..... <i>aluminum radiator</i>	1	31	839109GT	RADIATOR HOSE,KUBOTA.....	1
3B	866120GT	CAP,RADIATOR,KUBOTA D905 <i>copper radiator</i>		32	732205PPGT	ENGINE,KUBOTA,D1105 PAK.....	1
4	865307GT	TANK,RECOVERY,COOLANT,KUBOTA..	1	--	1254824GT	FILTER,FUEL,KUBOTA,W/O BRKT.....	1
5	C51601442GT	SCREW FLANGE 1/4 -20X.....	2				
6	C51600800GT	NUT CLIP 1/4 -20X3/4.....	2				
7	890790GT	HOSE,FUEL,1/4"ID,PUSH LOK,200#..... <i>this part is sold by the foot, this application requires at least 32 inches.</i>	3				
8	865263GT	KUBOTA 15111-72200 WASHER.....	4				
9	865260GT	KUBOTA 15263-12370CUSHION.....	2				
10A	995380GT	SCREW,HHC,1/2-13 X 6.5..... <i>Kubota models with 6kW generator</i>	2				
10B	116252GT	SCREW,HHC,1/2-13X7 GR5 YEL <i>Kubota models with 7.5kW and 8kW generators</i>					
11	991650GT	WASHER LOCK 1/2ZP.....	2				
12	990415GT	WASHER,FLAT,SNUB 1/2X2-3/4 ZN.....	2				
13A	80379GT	ISOLATOR, ENGINE MOUNT..... <i>Kubota models with 6kW and 8kW generators</i>	2				
13B	740920GT	ISOLATOR,ENGINE,390LB <i>Kubota models with 7.5kW generator</i>					
14	740770GT	VIBRATION MOUNT,35".....	2				
15	161109GT	BOLT,M10-1.25 x 35,W/HOLE.....	2				
16	865085GT	KUBOTA SNAP PIN.....	2				
17A	22124025GT	ENGINE RISER,2/75"H,FOR 1/2BLT..... <i>used with 6kW generator</i>	2				
17B	116249GT	AS:ENGINE RISER 3.25 HIGH <i>used with 7.5kW and 8kW generator</i>					
18	995110GT	SCREW,HHC,M10X1.25 X 35MM GR 8.....	2				
19	994830GT	WASHER,LOCK,M10 ZP.....	2				
20	995110GT	SCREW,HHC,M10X1.25 X 35MM GR 8.....	10				
21	994830GT	WASHER,LOCK,M10 ZP.....	10				
22	22124015GT	ENG FOOT/RAD SUPPORT, ROADSIDE.....	1				
23	839110GT	HOSE,RADIATOR,LOWER,KUBOTA.....	1				
24	866394GT	KUBOTA WATER PIPE.....	1				
25	32185GT	CLAMP,HOSE.....	6				
26	116523GT	KUBOTA HOSE,D905, D1105.....	1				
27	990200GT	NUT,NYLOCK,1/2-13 GR2.....	2				
28	990210GT	WASHER FLAT 1/2ZP.....	2				



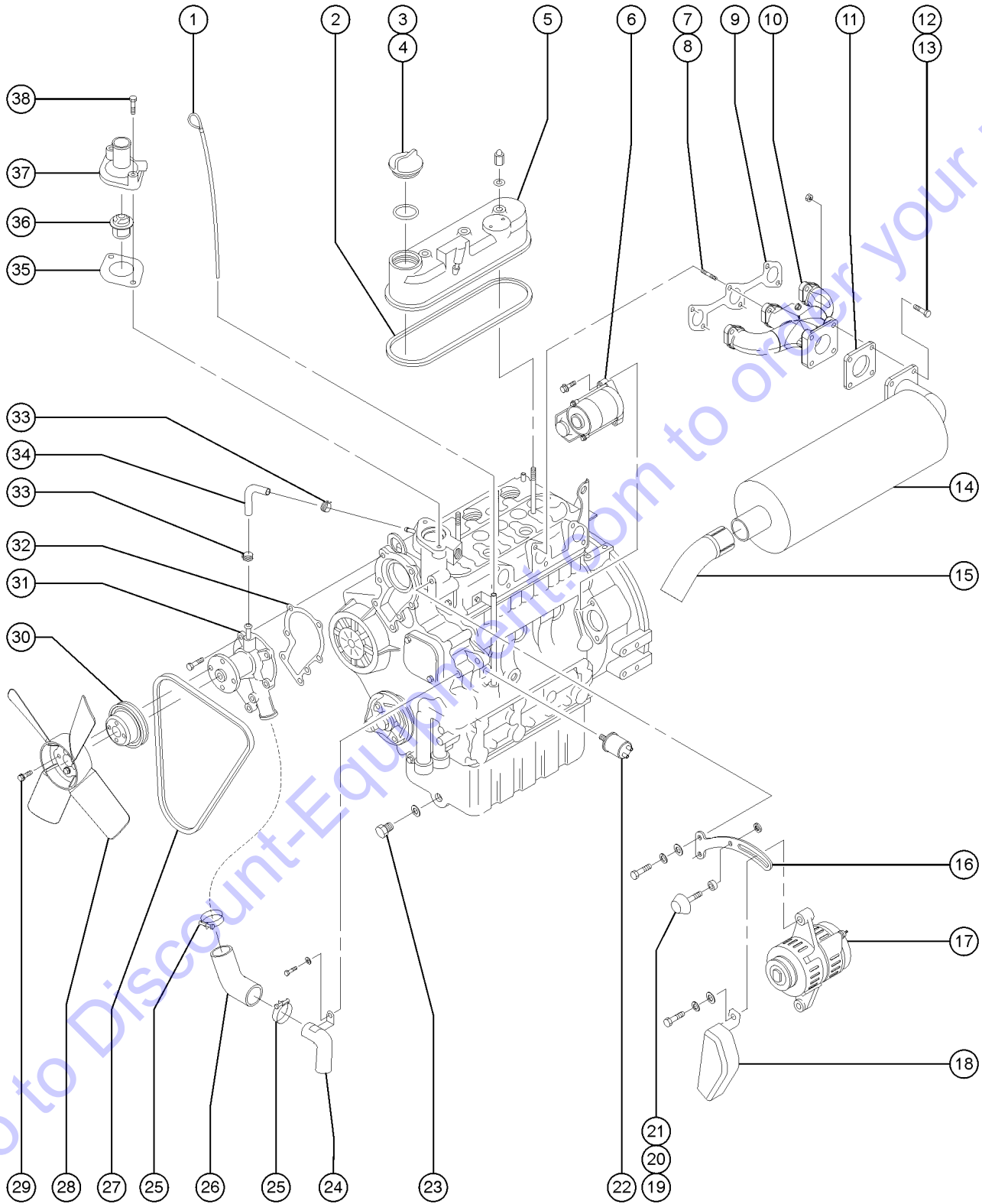
301.2 Kubota D1105-E3BG, View 1 (from serial number AL414-2721)



## 301.2 Kubota D1105-E3BG, View 1 (from serial number AL414-2721)

Item	Part No.	Description	Qty.
1	839131GT	KUBOTA FAN COVER.....	1
2	866110GT	RADIATOR, KUBOTA, D905 & D1105.....	1
3	110523GT	CAP,RADIATOR,AL,KUBOTA DF-752.....	1
4	865307GT	TANK,RECOVERY,COOLANT,KUBOTA..	1
5	C51601442GT	SCREW FLANGE 1/4 -20X.....	2
6	C51600800GT	NUT CLIP 1/4 -20X3/4.....	2
7	890790GT	HOSE,FUEL,1/4"ID,PUSH LOK,200#..... <i>this part is sold by the foot, this application requires at least 32 inches.</i>	3
8	865263GT	KUBOTA 15111-72200 WASHER.....	4
9	865260GT	KUBOTA 15263-12370CUSHION.....	2
10	865261GT	KUBOTA CUSHION.....	2
11	865086GT	KUBOTA RAD ISOLATOR BOLT.....	1
12	865085GT	KUBOTA SNAP PIN.....	2
13	866394GT	KUBOTA WATER PIPE.....	1
14	116523GT	KUBOTA HOSE,D905, D1105.....	1
15	32185GT	CLAMP,HOSE.....	6
16	839110GT	HOSE,RADIATOR,LOWER,KUBOTA.....	1
17	990270GT	SCREW,HHC,1/2-13 X 3.5 GR8.....	2
18	990410GT	WASHER FLAT FENDER1/2.....	2
19A	740920GT	ISOLATOR,ENGINE,390LB..... <i>Kubota models with 7.5kW generator</i>	4
19B	80379GT	ISOLATOR, ENGINE MOUNT..... <i>Kubota models with 6kW and 8kW generators</i>	4
20	990200GT	NUT,NYLOCK,1/2-13 GR2.....	2
21	990210GT	WASHER FLAT 1/2ZP.....	2
22	189290GT	NOTOR MOUNT BRACKET,KUBOTA 905.....	2
23	52851GT	BRACKET-RADIATOR SUPRT,INBOARD.....	1
24	995110GT	SCREW,HHC,M10X1.25 X 35MM GR 8.....	8
25	994830GT	WASHER,LOCK,M10 ZP.....	8
26	52847GT	BRACKET-RADIATOR SUPRT,OUTBRD.....	1
27	116733GT	MUFFLER BRACE.....	1
28	839109GT	RADIATOR HOSE,KUBOTA.....	1
29	732200PPGT	ENGINE,KUBOTA,D1105,OLDREV,PAK	
30	19428-72160GT	RADIATOR BRACKET.....	2

302.1 Kubota D1105-E3BG, View 2

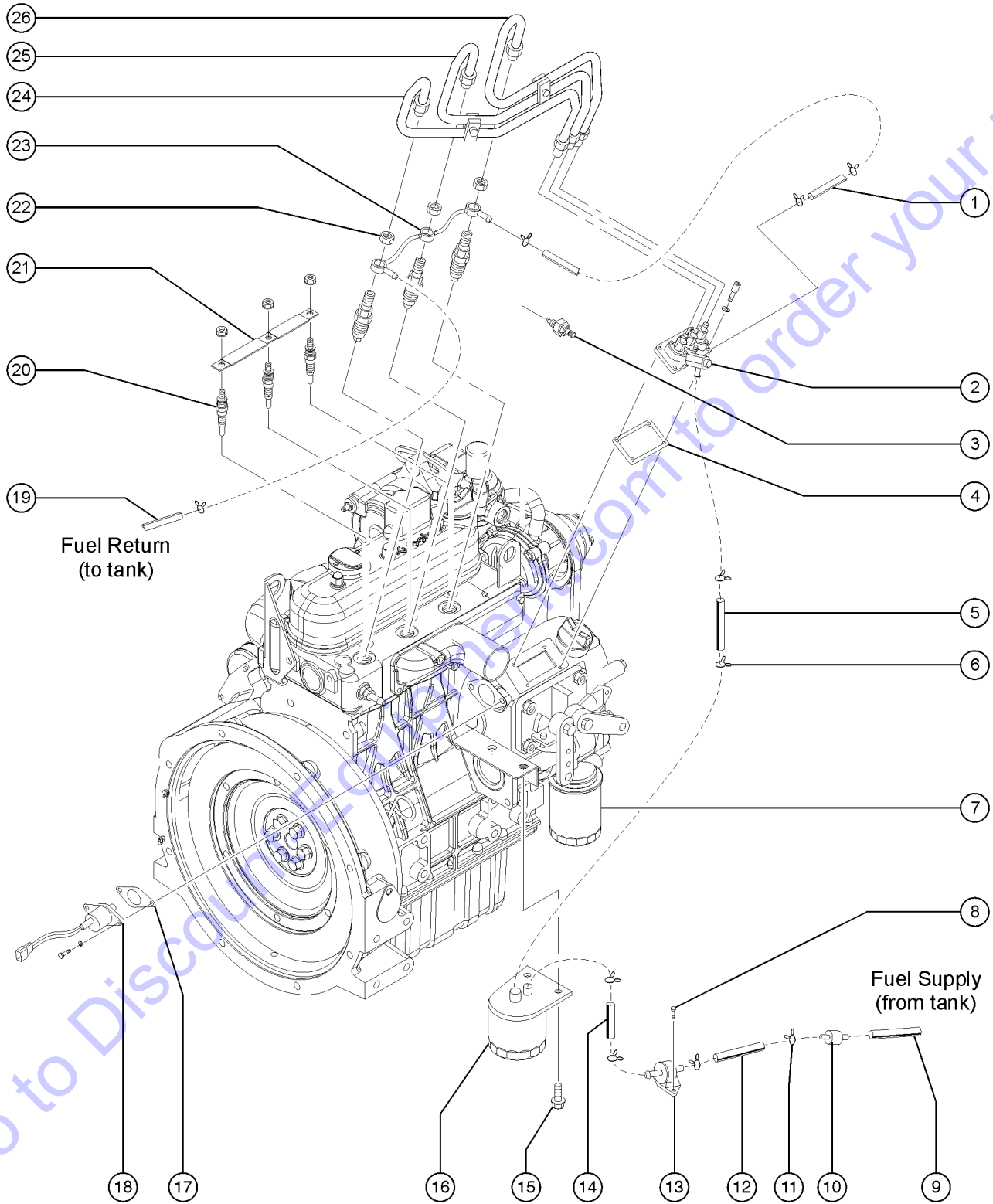


Go to Discount-Equipment.com to order your parts

## 302.1 Kubota D1105-E3BG, View 2

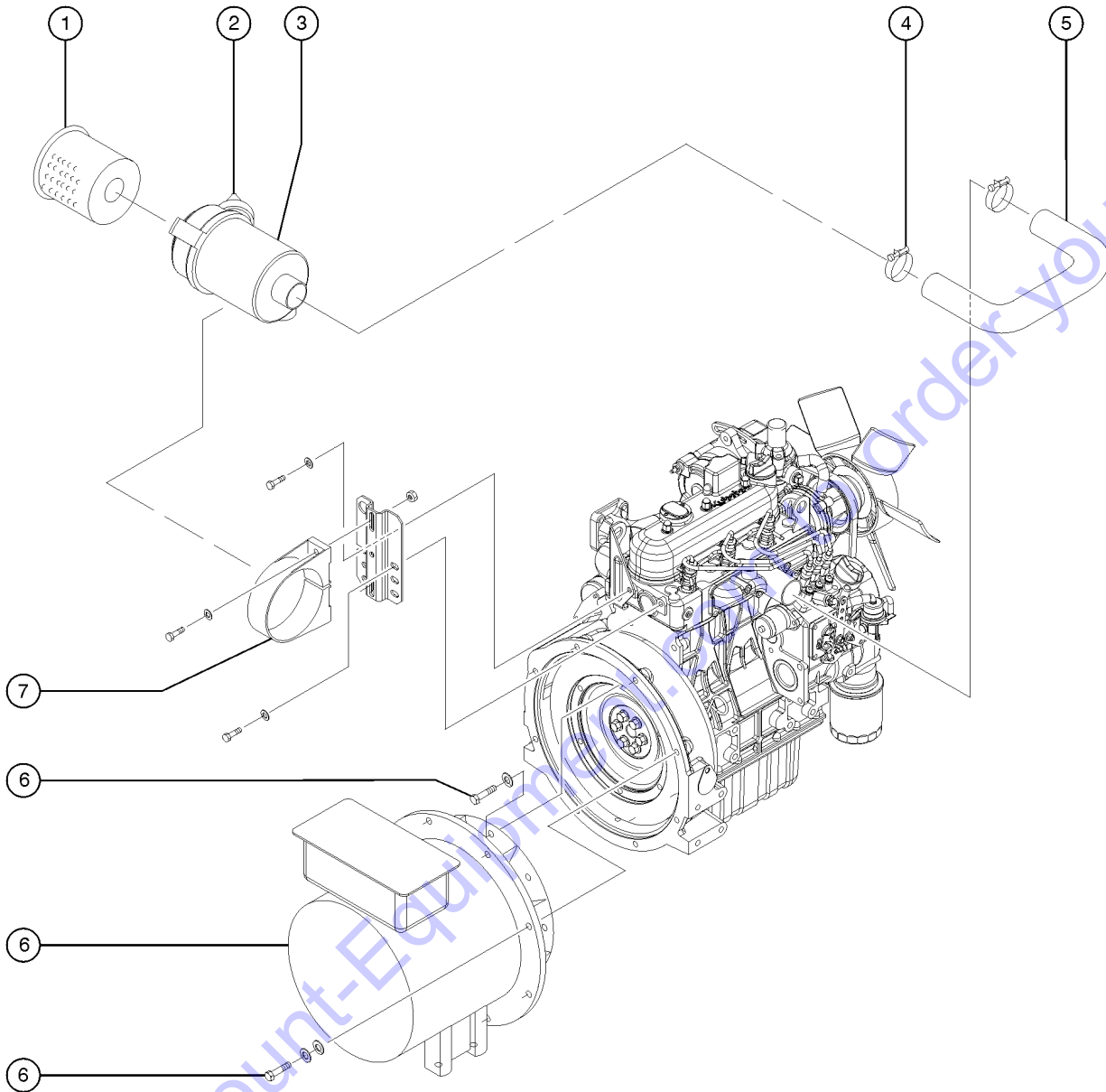
Item	Part No.	Description	Qty.	Item	Part No.	Description	Qty.
1	839154GT	DIPSTICK,OIL,KUBOTA.....	1	34	839011GT	KUBOTA WATER PIPE 16241-73350.....	1
2	839244GT	KUBOTA HEAD COVER GASKET.....	1	35	865435GT	KUBOTA 16221-73270GASKET.....	1
3	839151GT	KUBOTA OIL FILLER PLUG,V1305.....	1	36	139278GT	THERMOSTAT.....	1
4	839034GT	KUBOTA O-RING.....	1	37	139279GT	THERMOSTAT COVER.....	1
5	44191GT	VALVE COVER, D905.....	1	38	62296GT	SCREW,M8 X 35MM	
6	866101GT	STARTER,KUBOTA,D1105/905.....	1				
7	101208GT	STUD,EXHAUST MANIFOLD.....	6				
8	101209GT	NUT,EXHAUST MANIFOLD.....	6				
9	32191GT	GASKET,EXHAUST MANIFOLD,D905....	1				
10	839246GT	KUBOTA EXHAUST MANIFOLD.....	1				
11	832128GT	GASKET,MUFFLER,KUBOTA D905/11.....	1				
12	839103GT	KUBOTA 01123-50820 BOLT.....	4				
13	865055GT	KUBOTA NUT.....	4				
14	865276GT	MUFFLER,KUBOTA.....	1				
--	866825GT	KUBOTA 66711-54520COV..... (muffler cover)	1				
15	125395GT	TAILPIPE,8K EXHAUST.....	1				
16	116833GT	KUBOTA DYNAMO STAY.....	1				
17	866090GT	ALTERNATOR,KUBOTA*.....	1				
18	866081GT	KUBOTA BELT COVER.....	1				
19	30973GT	BUMPER,RUBBER-1 X 1.25.....	1				
20	116503GT	BUSHING, 630DX.328ID .375T					
21	6782GT	NUT,NYLOCK,5/16-18					
22	839190GT	SWITCH,LOW OIL PRESS,KUBOTA.....	1				
23A	52532GT	PLUG,ENGINE OIL DRAIN,D-905*** ..... <i>bottom of oil pan (not shown)</i>	1				
23A	52533GT	GASKET (52532) OIL DRAIN, D905..... <i>for 52532GT</i>	1				
23B	234842GT	PLUG, ENGINE OIL, D1105..... <i>bottom of oil pan (not shown)</i>	1				
23B	84042GT	GASKET-DRAIN PLUG,ENG OIL PAN.... <i>for 234842GT</i>	1				
23C	974800GT	KIT:OIL DRAIN W/VALVE,KUBOTA..... <i>(includes valve, clamp and hose)</i>	1				
24	116523GT	KUBOTA HOSE,D905, D1105.....	1				
25	32185GT	CLAMP,HOSE.....	2				
26	866394GT	KUBOTA WATER PIPE.....	1				
27	839209GT	V-BELT,KUBOTA.....	1				
28	839134GT	FAN,PUSHER,KUBOTA 15263-12370.....	1				
29	839027GT	KUBOTA FLANGE BOLT					
30	52531GT	PULLEY,FAN,KUBOTA, D-905,GS68.....	1				
31	101201GT	WATER PUMP ASSY,KUBOTA.....	1				
32	32199GT	GASKET,WATER PUMP.....	1				
33	32069GT	CLAMP,HOSE,KUBOTA WG750					

303.1 Kubota D1105-E3BG, View 3



Item	Part No.	Description	Qty.
1	839157GT	KUBOTA OVERFLOW PIPE.....1 <i>(to tank)</i>	1
2	839149GT	KUBOTA INJECTOR PUMP, D1105.....1	1
3	741140GT	ENGINE ACCESSORY TEMP SENDER.....1	1
4	32103GT	GASKET,INJECTION PUMP <i>(quantities vary)</i>	
5	890795GT	HOSE,FUEL,5/16"ID.....1.25 <i>feet</i>	1.25
6	898590GT	HOSE FITTING PIPE/BAR.....3	3
7	866050GT	FILTER,OIL,KUBOTA.....1	1
8		Ref., SCREW <i>refer to 203.1 or 204.1</i>	
9		Ref., FUEL HOSE <i>refer to 203.1 or 204.1</i>	
10		Ref., IN-LINE FILTER <i>refer to 203.1 or 204.1</i>	
11		Ref., HOSE CLAMP <i>refer to 203.1 or 204.1</i>	
12		Ref., FUEL HOSE <i>refer to 203.1 or 204.1</i>	
13		Ref., FUEL PUMP <i>refer to 203.1 or 204.1</i>	
14		Ref., FUEL HOSE <i>refer to 203.1 or 204.1</i>	
15	839103GT	KUBOTA 01123-50820 BOLT.....2	2
16	839107GT	FILTER,FUEL,KUBOTA.....1 <i>filter head and element</i>	1
--	1274237GT	BRACKET, FUEL FILTER <i>filter mount bracket</i>	
--	839200GT	ELEMENT,FUEL FILTER,KUBOTA <i>for 839107GT</i>	
17	866040GT	GASKET,SOLENOID,KUBOTA.....1	1
18A	99199GT	SOLENOID,KUBOTA D9/1105 SHTDWN.....1 <i>2-wire solenoid</i>	1
18B	866030GT	SOLENOID,FUEL,3 WIRE,KUBOTA <i>3-wire solenoid</i>	
19		Ref., FUEL HOSE <i>refer to 203.1</i>	
20	839119GT	KUBOTA GLOW PLUG.....3	3
21	62118GT	JUMPER-GLOW PLUG.....1	1
22	865257GT	KUBOTA KIT, HOLDER,NOZZLE.....3	3
23	865100GT	KUBOTA OVER FLOW PIPE.....1	1
24	44196GT	PIPE,INJECTOR 1,D905,D1105.....1	1
25	44197GT	PIPE,INJECTOR 2,D905,D1105.....1	1
26	44198GT	PIPE,INJECTOR 3,D905,D1105.....1	1

304.1 Kubota D1105-E3BG, View 4



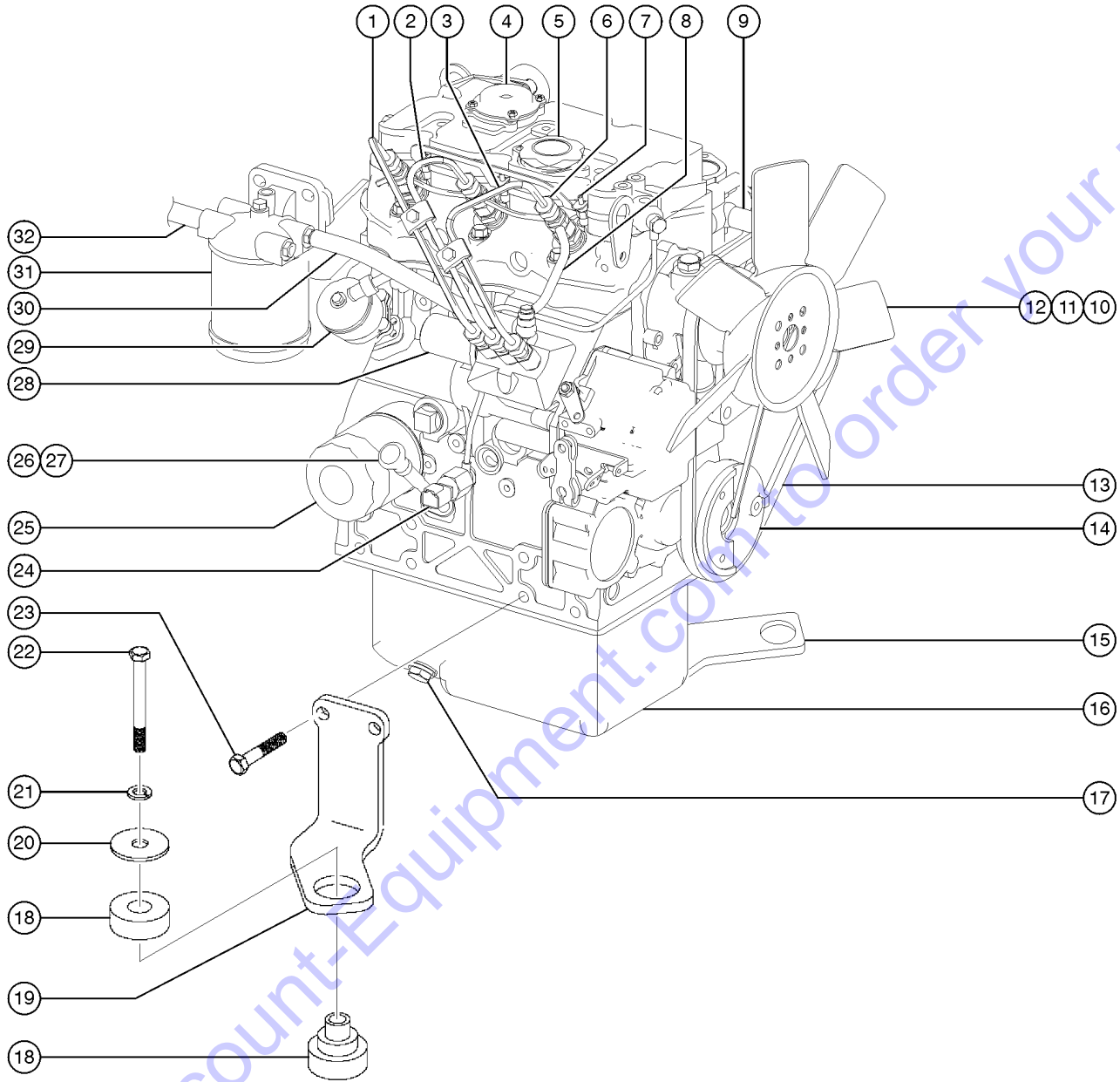
Go to Discount-Equipment.com to order your parts

Item	Part No.	Description	Qty.
1	866127GT	ELEMENT,AIR CLEANER,KUBOTA.....1	
2	866129GT	VALVE,AIR CLEANER,KUBOTA.....1	
3A	866126GT	BODY,AIR CLEANER,KUBOTA.....1	
3B	866128GT	COVER,AIR CLEANER,KUBOTA.....1	
4	839049GT	KUBOTA 15263-12370BAND PIPE.....2	
5	231332GT	HOSE, INTAKE, KUBOTA D1105.....1	
6		Ref, GENERATOR <i>refer to 307.1</i>	
7	231333GT	AIR CLEANER BRACKET, D1105.....1	

Go to Discount-Equipment.com to order your parts

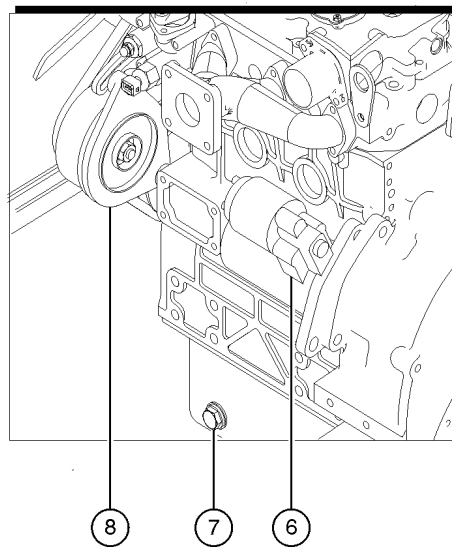
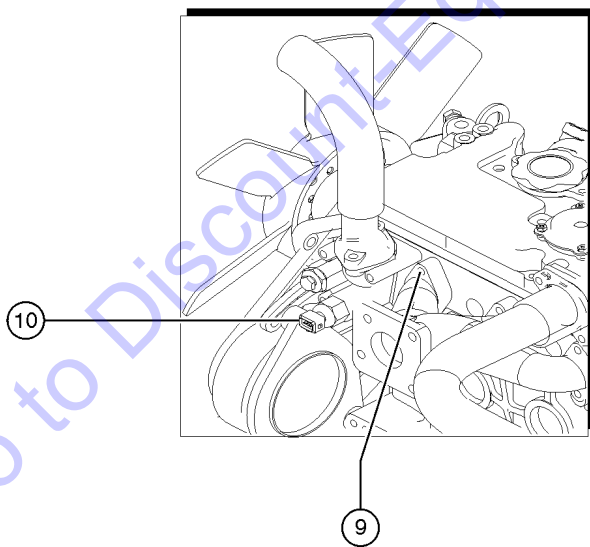
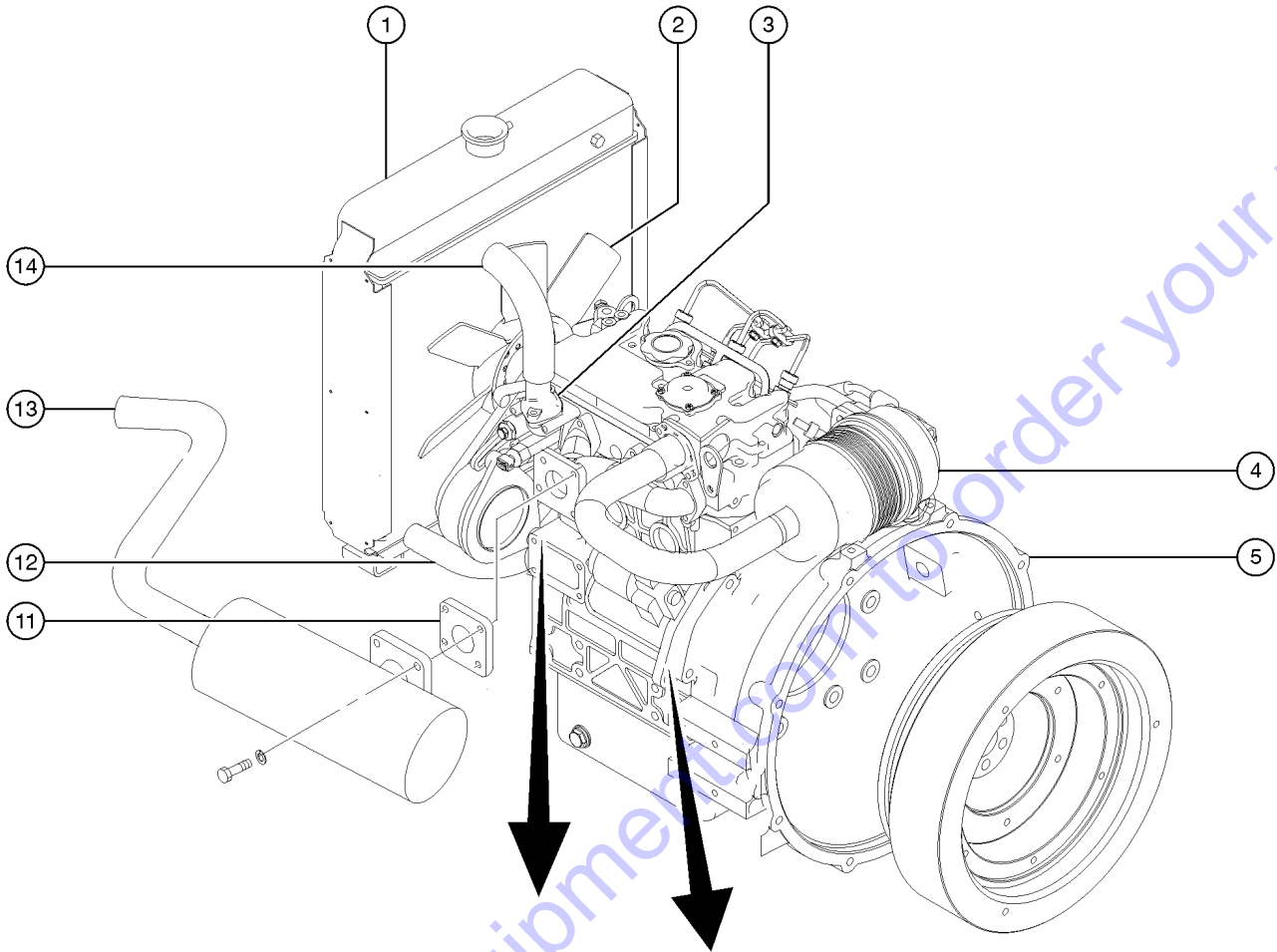


305.1 Perkins 403D-11G, View 1



Item	Part No.	Description	Qty.
1	84812GT	PIPE,INJECTOR 1, 403C-11.....	1
2	84813GT	PIPE,INJECTOR 2, 403C-11.....	1
3	84814GT	PIPE,INJECTOR 3, 403C-11.....	1
4	84860GT	VALVE COVER BREATHER.....	1
5	65636GT	CAP, OIL FILLER.....	1
--	65638GT	SEAL, OIL FILLER CAP.....	1
6	139272GT	FUEL INJECTOR.....	3
7	84815GT	GLOW PLUG, 403C-11.....	3
8	237707GT	HOSE,FUEL LEAK-OFF,403D-11G.....	1
9	89764GT	HOSE, WATER PUMP (PERKINS 404)...	1
10	101341GT	FAN.....	1
11	101319GT	FAN PULLEY.....	1
12	101322GT	PUMP,WATER.....	1
--	89764GT	HOSE, WATER PUMP (PERKINS 404)...	1
--	97483GT	GASKET,WATER PUMP, 403C-11.....	1
13	85071GT	BELT-FAN, PERKINS (103.10).....	1
14	97427GT	PULLEY,CRANK, 403C-11.....	1
15	116519GT	FP-ENG MNT RT FOOT CS PERK T4....	2
16	85140GT	GASKET-OIL PAN,PERKINS 103.10.....	1
17	237774GT	PLUG,OIL DRAIN,PERKINS 403D-11G.....	1
--	85124GT	GASKET,SOLENOID,PERKINS 72350....	1
17A	229918GT	KIT:OIL DRAIN W/VALVE,PERKINS	
--	229917GT	VALVE, OIL DRAIN, PERKINS	
--	792750GT	CLAMP 7/16 TO 25/32	
--	897110GT	HOSE,OIL,3/8 0250PS1.....	2.5-feet
18	116729GT	ISOLATOR,ENGINE,70D.....	2
19	116518GT	FP-ENG MNT RT FOOT RS PERK T4....	2
20	990415GT	WASHER,FLAT,SNUB 1/2X2-3/4 ZN	
21	991650GT	WASHER LOCK 1/2ZP	
22	990270GT	SCREW,HHC,1/2-13 X 3.5 GR8	
23	R981095GT	SCREW,HHC,M12X1.25X30MM,GR8.8	
24	237776GT	SWITCH,OIL PRES,PERK 403D-11G.....	1
25	85069GT	FILTER, OIL-PERKINS (103-10)**.....	1
26	101320GT	DIPSTICK,STRAIGHT SHORT.....	1
27	97461GT	DIPSTICK TUBE,PERKINS(403C-11)....	1
28	106663GT	SOLENOID,SHUT DOWN PERKIN40422.....	1
29	72348GT	PUMP,LIFT(FUEL) PERKINS(54555)....	1
--	89761GT	O-RING, LIFT PUMP,(PERKINS 404)....	1
30	236046GT	HOSE, FUEL FILTER -INJ., 403D.....	1
31	94889GT	FUEL FILTER ASSEMBLY.....	1
--	62421GT	FILTER,FUEL,PERKINS.....	1
32		Ref., FUEL HOSE <i>refer to 203.1 or 204.1</i>	

306.2 Perkins 403D-11G, View 2 ( from serial number AL4011-1556)

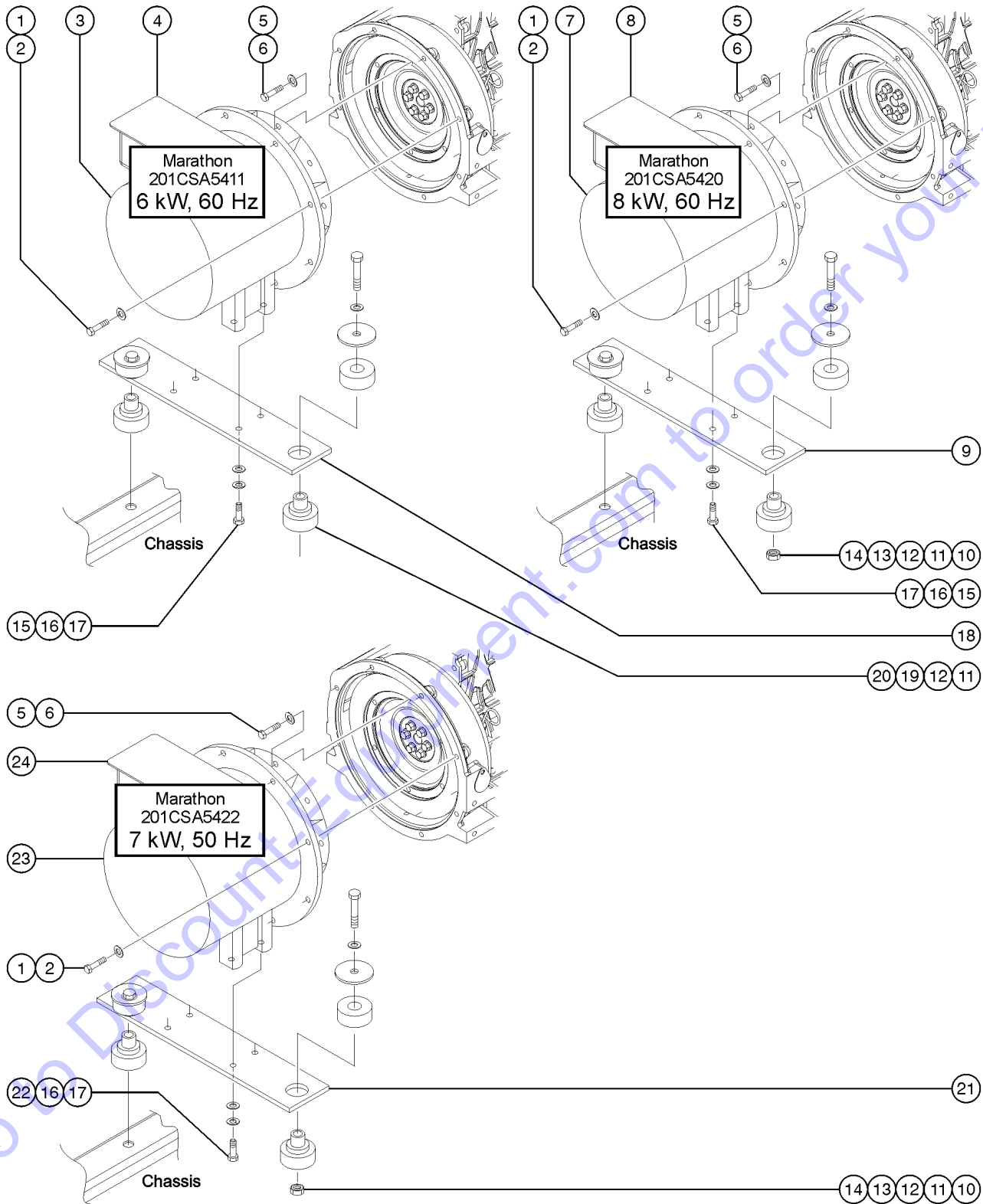


## 306.2 Perkins 403D-11G, View 2 ( from serial number AL4011-1556)

Item	Part No.	Description	Qty.
1	58291GT	RADIATOR,PERKINS,TML	
--	85130GT	CAP-RADIATOR,PERKINS (103.10)	
2		Ref., FAN <i>refer to 305.1</i>	
3	139265GT	WATER OUTLET, VERTICAL	
--	1257665GT	GASKET, THERMOSTAT, PERKINS	
--	237708GT	THERMOSTAT,PERKINS 403D-11G	
4	58427GT	AIR FILTER,ASSEMBLY	
--	237775GT	BKT,FILTER MNT,PERKINS 403D-11G	
--	866068GT	PERKINS 135326205AIR <i>filter element</i>	
5	97426GT	HOUSING,FLYWHEEL,403C-11	
6	228458GT	STARTER, PERKINS, 403D	
7		Ref., OIL DRAIN PLUG <i>refer to 305.1</i>	
8	85089GT	ALTERNATOR,15A,PERKINS 103.10	
--	85127GT	REGULATOR,12V-PERKINS 103.10	
9	85087GT	MANIFOLD-EXHAUST,PERK (103.10)	
--	101326GT	STUDS,EXHAUST	
--	101327GT	NUTS,EXHAUST	
--	85143GT	GASKET-EXHAUST MANIFOLD/PERKIN	
10	97473GT	SENSOR,WATER TEMPERATURE	
11	72343GT	GASKET,EXH FLANGE-FORD/PERKINS	
12	58292GT	HOSE,RADIATOR,PERKINS,TML	
--	30348GT	CLAMP,HOSE,1.00	
13	1275721GT	MUFFLER, PERKINS, RL-4.....1 <i>from serial number AL4011-1556</i>	
14	97428GT	HOSE,RADIATOR,UPPER PRKNS,TML	
--	30348GT	CLAMP,HOSE,1.00	

Go to Discount-EnginePart.com to order your parts

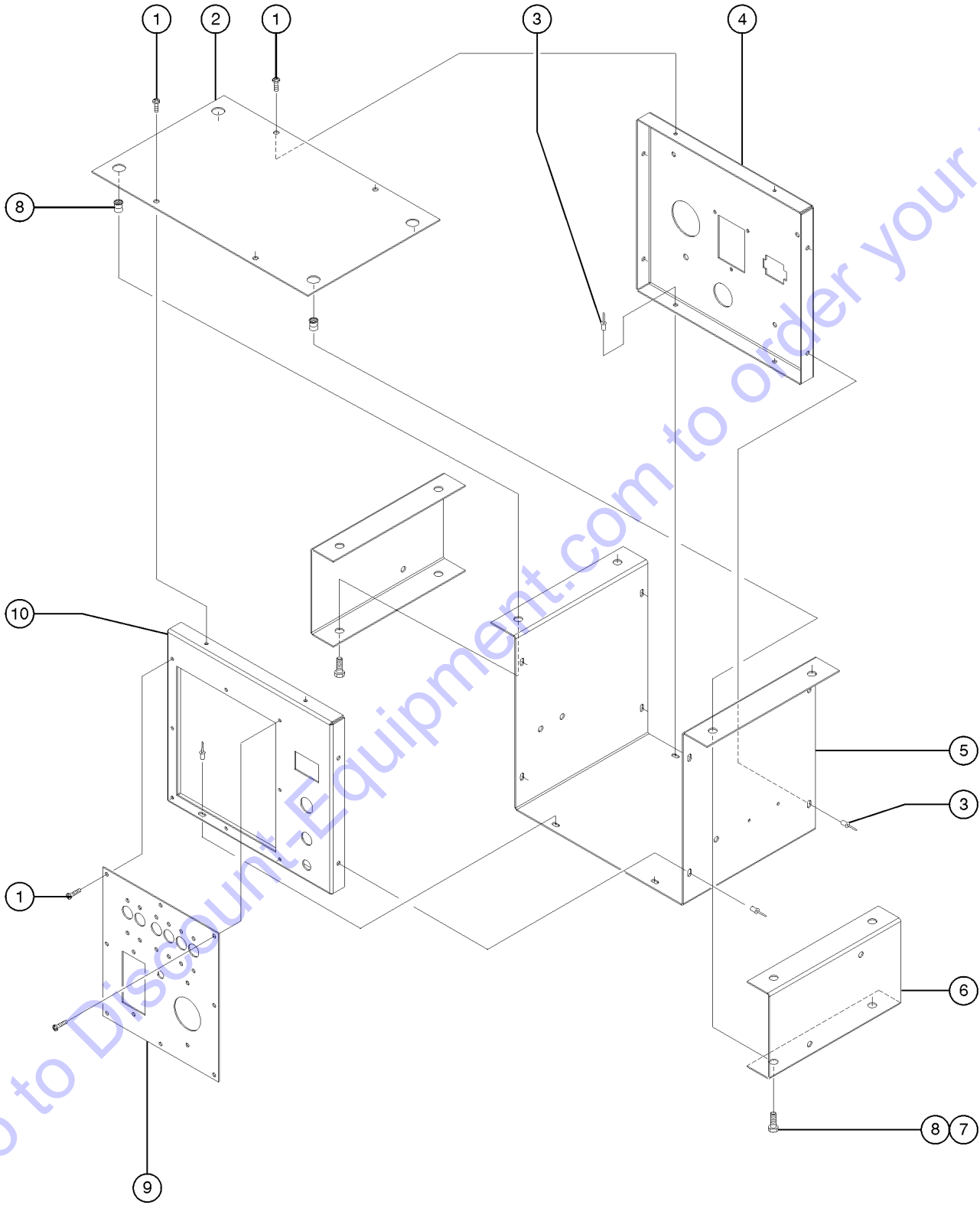
307.1 Generators



## 307.1 Generators

Item	Part No.	Description	Qty.	Item	Part No.	Description	Qty.
--		Ref., WIRE HARNESS <i>refer to 409.1</i>		9	189347GT	BRACKET,GENERATOR MOUNT.....	1
1	991761GT	SCREW,HHC,3/8-16 X 1.25.....	8	10	6198GT	NUT,NYLOCK,1/2-13.....	2
2	990470GT	WASHER LOCK 3/8ZP.....	8	11	80379GT	ISOLATOR, ENGINE MOUNT.....	2
3	85206GT	GENERATOR,6KVA,240VAC,60HZ..... <i>6 kW, 60 Hz (Marathon 201CSA5411)</i>	1	12	990415GT	WASHER,FLAT,SNUB 1/2X2-3/4 ZN.....	2
--	116168GT	BEARING, ODE <i>(opposite engine end)</i>		13	990210GT	WASHER FLAT 1/2ZP.....	2
--	116172GT	O-RING <i>(opposite engine end)</i>		14	6-5208-32GT	SCREW,HHC,1/2-13X4,GR8.....	2
--	116177GT	DRIVE DISC(C-107) MARATHON <i>(engine end)</i>		15A	991761GT	SCREW,HHC,3/8-16 X 1.25..... <i>models with Kubota engine</i>	4
--	116178GT	HUB SPACER <i>(engine end)</i>		15B	991761GT	SCREW,HHC,3/8-16 X 1.25..... <i>models with Perkins engine</i>	2
--	1277953GT	TERMINAL BLOCK,MARATHON GENERATOR(85206)		16A	990470GT	WASHER LOCK 3/8ZP..... <i>models with Kubota engine</i>	4
--	836853GT	DIODE,MARATHON <i>(opposite engine end)</i>		16B	990470GT	WASHER LOCK 3/8ZP..... <i>models with Perkins engine</i>	2
--	836856GT	MARATHON SUPPRESSOR/VARISTOR <i>(opposite engine end)</i>		17A	981120GT	WASHER FLAT 3/8 ZP SAE BIN..... <i>models with Kubota engine</i>	4
4	58356GT	CAPACITOR-ROUND 25MF <i>(for 201CSA5411)</i>		17B	981120GT	WASHER FLAT 3/8 ZP SAE BIN..... <i>models with Perkins engine</i>	2
--		Ref., WIRE HARNESS <i>refer to 405.1</i>		18A	189347GT	BRACKET,GENERATOR MOUNT..... <i>models with Kubota engine (shown)</i>	1
--	116184GT	CLAMP,CAPACITOR <i>(for 201CSA5411)</i>		18B	116517GT	FP-GEN MOUNT BAR RL PERK T4..... <i>models with Perkins engine</i>	1
--	116187GT	TERMINAL BLOCK <i>(for 201CSA5411)</i>		19	991650GT	WASHER LOCK 1/2ZP.....	2
5	123840GT	SCREW,HHC,5/16-18X.75,GR8,Y.....	6	20	990270GT	SCREW,HHC,1/2-13 X 3.5 GR8.....	2
6	990460GT	WASHER LOCK 5/16 ZP BIN.....	6	21	116244GT	FP-GEN MNT BAR,MAR SM HOLES.....	1
7	116253GT	GENERATOR,8KW,240V,60HZ,MAR..... <i>8 kW, 60 Hz (Marathon 201CSA5420)</i>	1	22	981450GT	SCREW,HHC,3/8-16 X 1.5.....	4
--	116168GT	BEARING, ODE <i>(opposite engine end)</i>		23	116254GT	GENERATOR,6.5KW,220V,50HZ,MAR <i>7 kW, 50 Hz (Marathon 201CSA5422)</i>	
--	116172GT	O-RING <i>(opposite engine end)</i>		--	116177GT	DRIVE DISC(C-107) MARATHON <i>(engine end)</i>	
--	116177GT	DRIVE DISC(C-107) MARATHON <i>(engine end)</i>		--	836853GT	DIODE,MARATHON <i>(opposite engine end)</i>	
--	116178GT	HUB SPACER <i>(engine end)</i>		--	836856GT	MARATHON SUPPRESSOR/VARISTOR <i>(opposite engine end)</i>	
--	836853GT	DIODE,MARATHON <i>(opposite engine end)</i>		--	T111700GT	BEARING, MARATHON GEN <i>(opposite engine end)</i>	
--	836856GT	MARATHON SUPPRESSOR/VARISTOR <i>(opposite engine end)</i>		24	85207GT	CAPACITOR,45 MF***OVAL <i>(for 332CSA5213)</i>	
8	229457GT	CAPACITOR, 8KW GENERATOR,5420 <i>(for 201CSA5420)</i>		--		Ref., WIRE HARNESS <i>refer to 409.1</i>	
--	116184GT	CLAMP,CAPACITOR <i>(for 201CSA5420)</i>		--	116184GT	CLAMP,CAPACITOR <i>(for 332CSA5213)</i>	
--	116187GT	TERMINAL BLOCK <i>(for 201CSA5420)</i>					

401.1 Control Box, 60 Hz, View 1



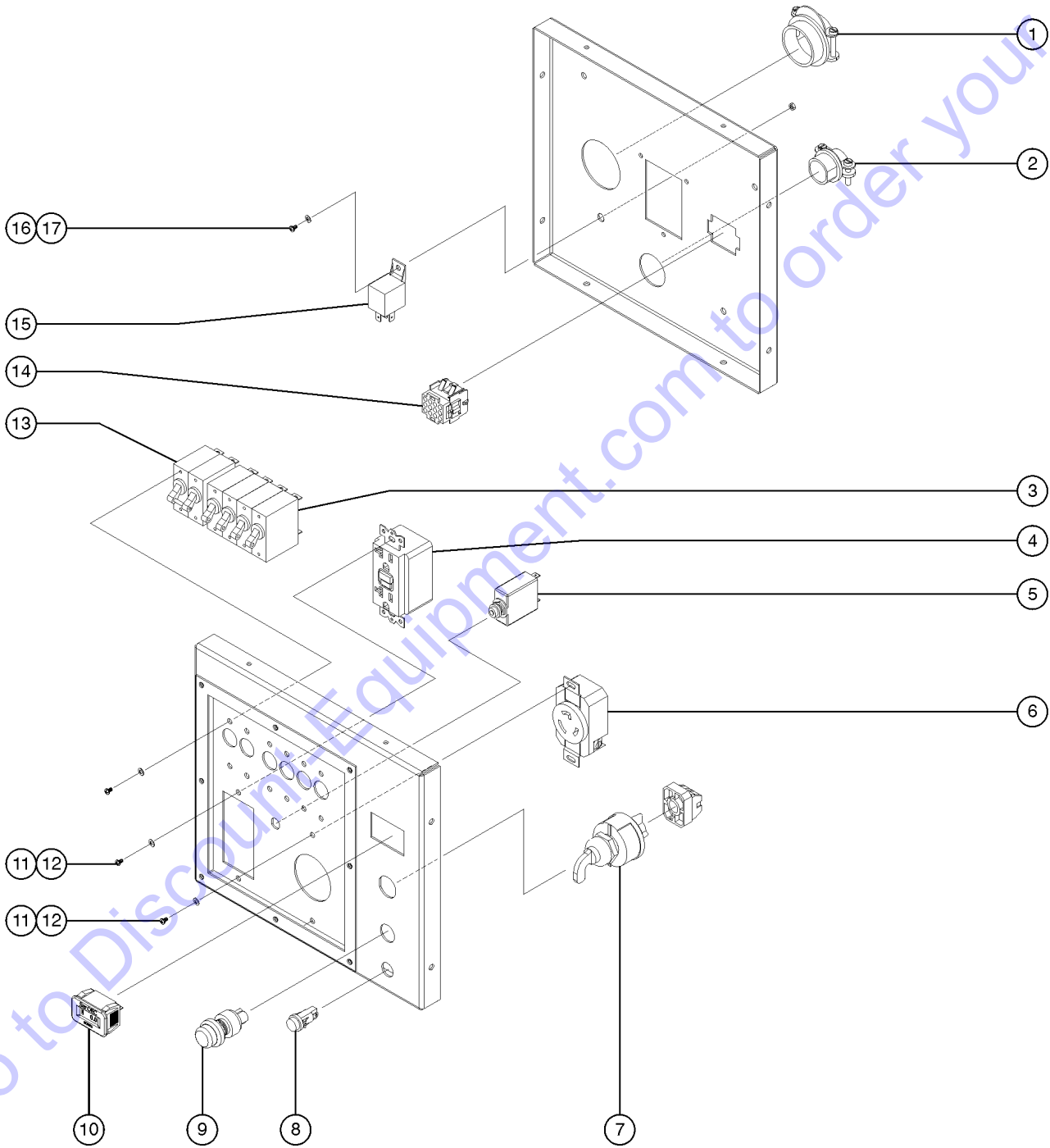
Go to DiscountEquipment.com to order your parts

Item	Part No.	Description	Qty.
1	996340GT	SCREW,PHM,10-16 X 3/4 <i>(tek screw)</i>	
2	186543GT	FP-CONTROL BOX, TOP.....	1
3	990670GT	RIVET,POP,SS,3/16"X1/2" BLIND	
4	823430GT	FP-CONTROL BOX, REAR, 50HZ, STD....1 <i>(replaced 186542GT from SN AL413-2417)</i>	
5A	186540GT	BASE, CONTROL BOX, AL4 CONS.....1 <i>(shown)</i>	
5B	227275GT	FORMING, CONTROL BOX BASE, XTRA GFI	
6	186554GT	BRACKET, E-BOX, AUTOSTART, AL4.....	2
7	C51601444GT	SCREW, FLANGE, 1/4-20X1/2" PATCH	
8	993310GT	NUTSERT, 1/4-20	
9	T109757GT	PANEL, CNTL BOX FACE, CSA.....	1
10	186544GT	BRACKET, E-BOX, AUTOSTART, AL4.....	1

Go to Discount-Equipment.com to order your parts

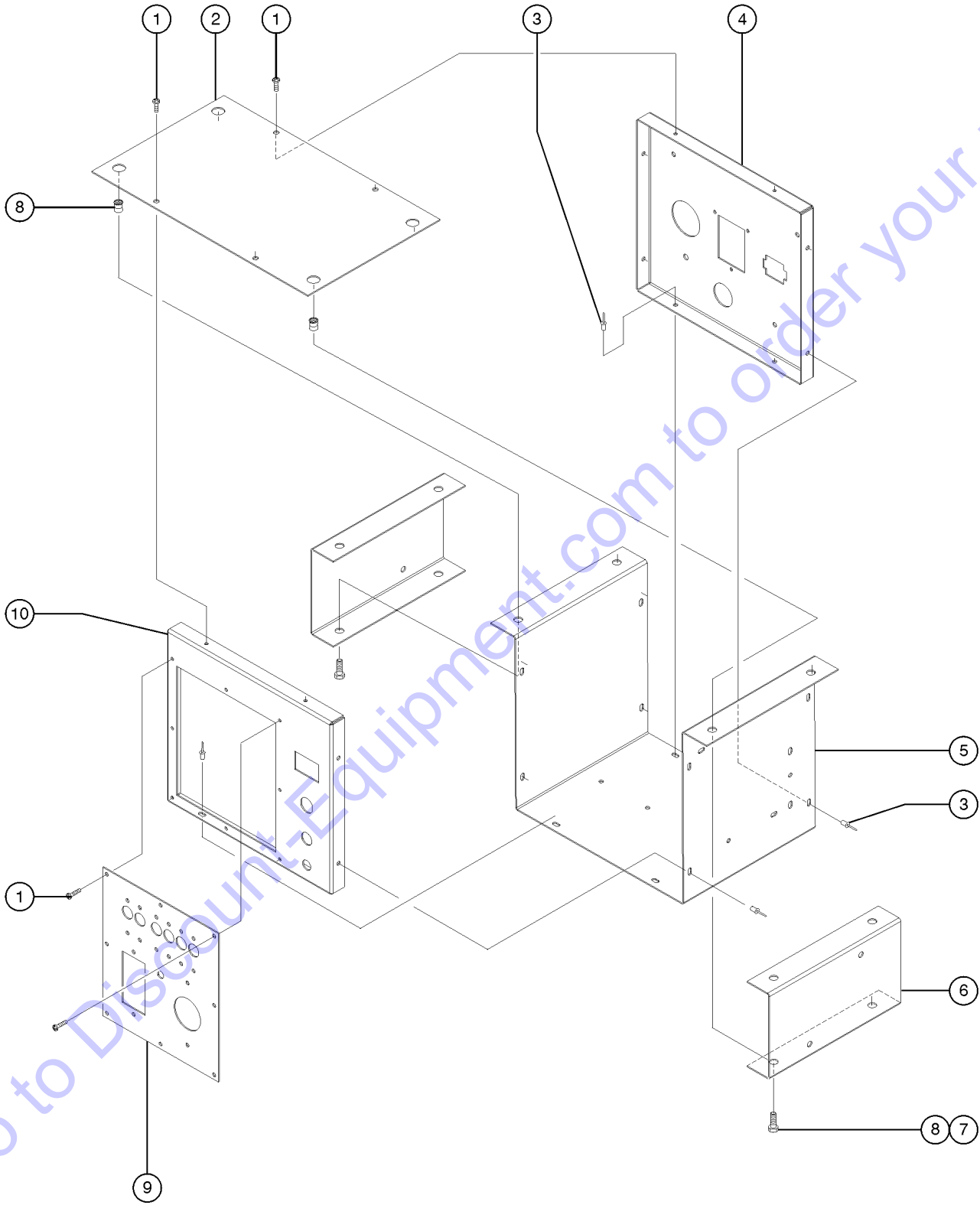


402.1 Control Box, 60 Hz, View 2



Item	Part No.	Description	Qty.
A	826910GT	KIT CNTRL BOX 60HZ ALRL4 (to SN AL413-2416)	
--	822789GT	CNTRL,BOX,60HZ,MH,4PTL	
--	826915GT	KIT CONTROL BOX TO COIL CORD (to SN AL413-2416)	
B	822789GT	CNTRL,BOX,60HZ,MH,4PTL (with 4 pole receptacle and 8 pin Deutsch connector, replaced 218588) (from SN AL413-2417)	
1	686220GT	CONNECTOR 2 SCREW 1.25T-B.....1	
2	680030GT	CONNECTOR 2 SCREW 3/4.....1	
--	680250GT	LOCKNUT, CONDUIT 3/4CSA APPVD	
3	T113641GT	BREAKER,15A,120VAC 1P,CSA.....4	
4A	684640GT	RECEPTACLE 20A 120V DUPLEX GFI.....1 (all models)	
4B	684640GT	RECEPTACLE 20A 120V DUPLEX GFI.....2 (models with extra GFI installed on side of control box)	
5	T113642GT	BREAKER,20A MINI,120VAC 1P,CSA.....1	
6A	684450GT	RECEP 30A 20V 3POLE.....1	
6B	686160GT	RECEP 30A 120/240V 4 POLE	
7	684380GT	IGNITION SWITCH,LEVER OPR.....1	
8	682715GT	LIGHT INDICATOR 12VRED.....1	
9	R660010GT	SWITCH PUSH-BUTTON W/BOOT.....1	
10	T106193GT	HOURMETER,DIGITAL,RECTANGULAR.1	
11	995300GT	SCREW,PHM,6-32 X .25	
12	994420GT	WASHER,LOCK,#6 SS	
13	T113644GT	BREAKER,30A 250VAC 2P,CSA.....2	
14	684167GT	CONNECTOR 12P FEMALE.....1	
15	R661490GT	RELAY 12V DC 30A NO OR.....1	
16	55306GT	SCREW,PHILLIPS,PHM,4-40 X .50.....4	
17	40766GT	NUT,NYLOCK,4-40.....4	

403.1 Control Box, 60 Hz with Auto Air Shutdown, View 1



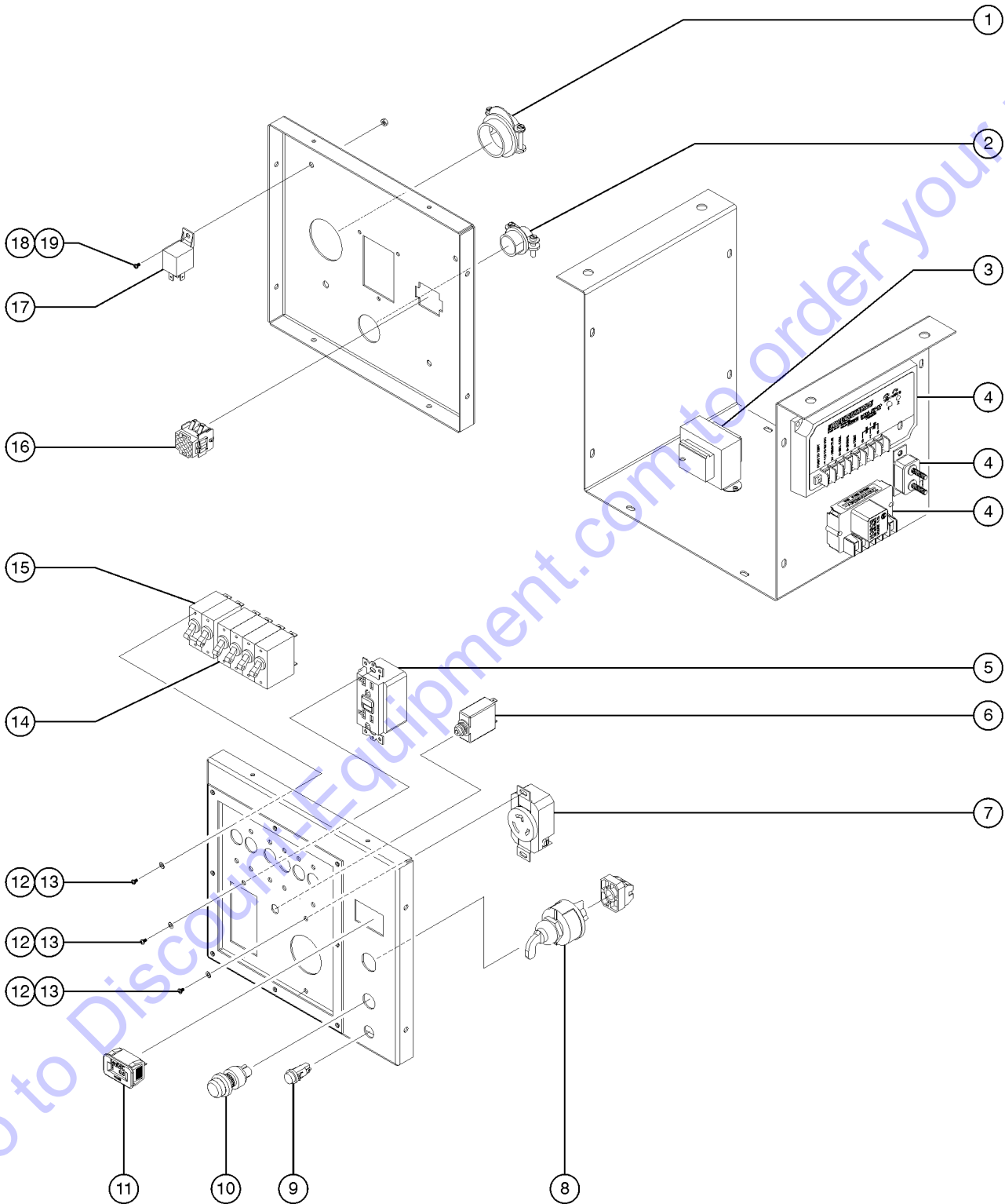
Go to DiscountEquipment.com to order your parts

## 403.1 Control Box, 60 Hz with Auto Air Shutdown, View 1

Item	Part No.	Description	Qty.
1	996340GT	SCREW,PHM,10-16 X 3/4	
2	186543GT	FP-CONTROL BOX, TOP.....1	
3	990670GT	RIVET,POP,SS,3/16"X1/2" BLIND	
4	833430GT	FP-CONTROL BOX,REAR,50HZ,STD....1 (replaced 186542GT from SN AL413-2417)	
5	227086GT	FORMING CNTRL BOX AUTO AS 8KW.....1	
6	186554GT	BRACKET,E-BOX,AUTOSTART,AL4.....2	
7	C51601444GT	SCREW,FLANGE,1/4-20X1/2" PATCH	
8	993310GT	NUTSERT,1/4-20	
9	T109757GT	PANEL,CNTL BOX FACE,CSA.....1	
10	186544GT	BRACKET,E-BOX,AUTOSTART,AL4.....1	

Go to Discount-Equipment.com to order your parts

404.1 Control Box, 60 Hz with Auto Air Shutdown, View 2

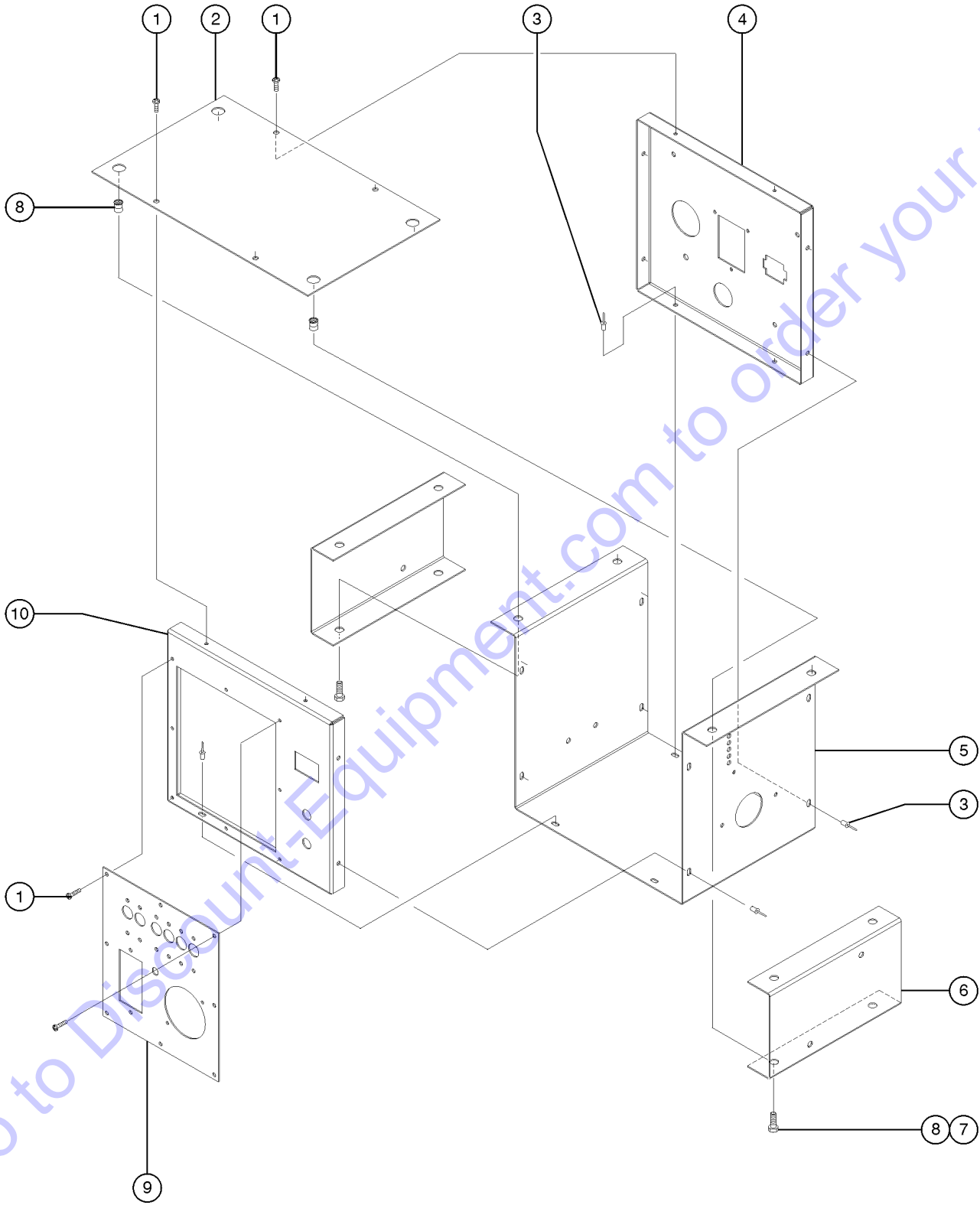


Go to [DiscountEquipment.com](http://DiscountEquipment.com) to order your parts

## 404.1 Control Box, 60 Hz with Auto Air Shutdown, View 2

Item	Part No.	Description	Qty.
--	227085GT	ASM,CNTRL BOX AUTO AS 8KW	
1	686220GT	CONNECTOR 2 SCREW 1.25T-B.....1	1
2	680030GT	CONNECTOR 2 SCREW 3/4.....1	1
--	680250GT	LOCKNUT, CONDUIT 3/4CSA APPVD	
3	669086GT	TRANSFORMER 120/24VAC.....1	1
4	742369GT	SHUTDOWN ,OVERSPEED,RD.....1 (includes fuse and 20A AC breaker)	1
5	684640GT	RECEPTACLE 20A 120V DUPLEX GFI.....1	1
6	T113642GT	BREAKER,20A MINI,120VAC 1P,CSA.....1	1
7A	684450GT	RECEP 30A 20V 3POLE.....1	1
7B	686160GT	RECEP 30A 120/240V 4 POLE	
8	684380GT	IGNITION SWITCH,LEVER OPR.....1	1
9	682715GT	LIGHT INDICATOR 12VRED.....1	1
10	R660010GT	SWITCH PUSH-BUTTON W/BOOT.....1	1
11	T106193GT	HOURMETER,DIGITAL,RECTANGULAR.1	1
12	995300GT	SCREW,PHM,6-32 X .25	
13	994420GT	WASHER,LOCK,#6 SS	
14	T113641GT	BREAKER,15A,120VAC 1P,CSA.....4	4
15	T113644GT	BREAKER,30A 250VAC 2P,CSA.....2	2
16	684167GT	CONNECTOR 12P FEMALE.....1	1
17	R661490GT	RELAY 12V DC 30A NO OR.....1	1
18	55906GT	SCREW,PHILLIPS,PHM,8-32 X .5.....4	4
19	40766GT	NUT,NYLOCK,4-40.....4	4

405.1 Control Box, Autostart, View 1



Go to Discount-Equipment.com to order your parts

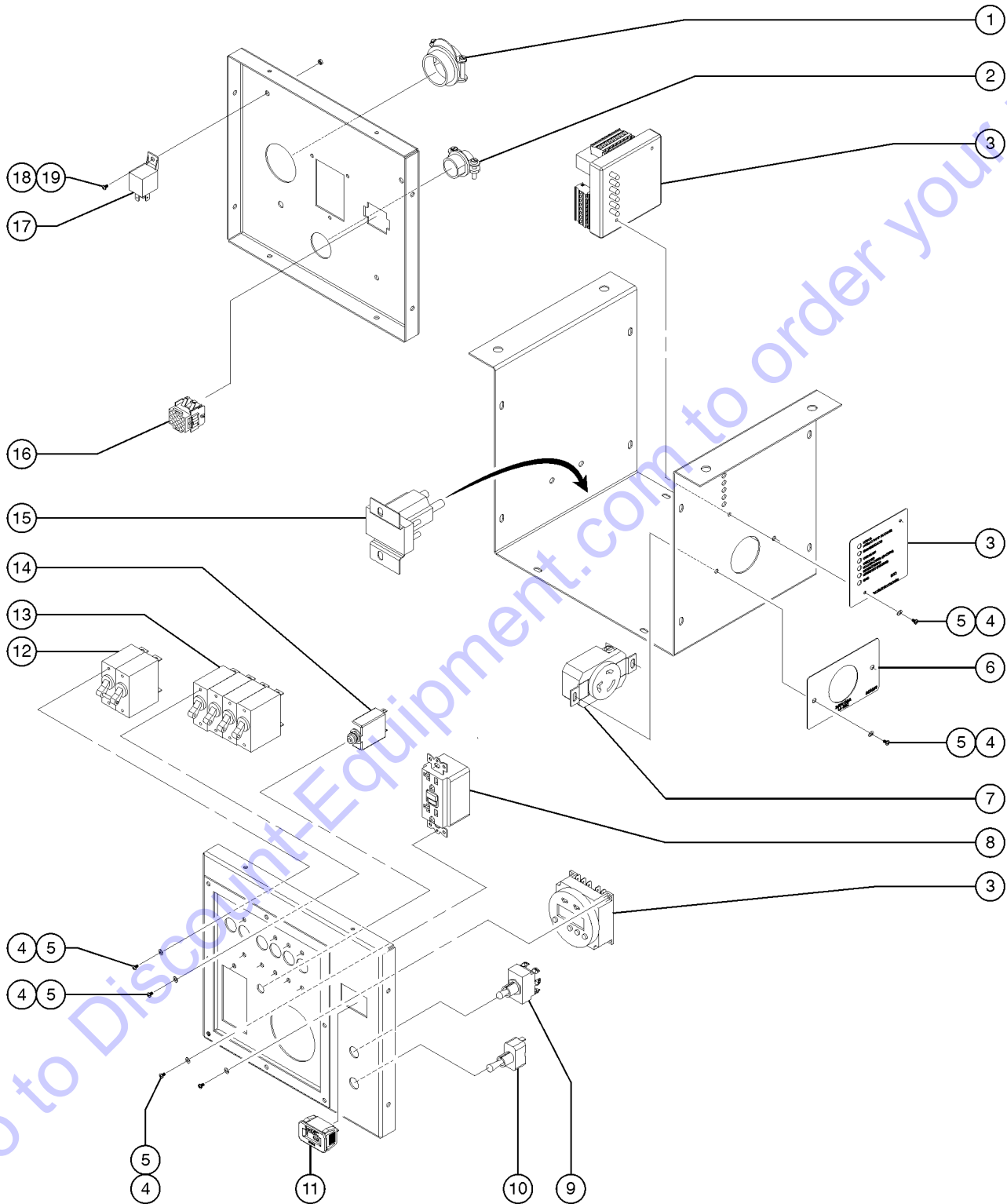
## 405.1 Control Box, Autostart, View 1

Item	Part No.	Description	Qty.
1	996340GT	SCREW,PHM,10-16 X 3/4 (tek screw)	
2	186543GT	FP-CONTROL BOX, TOP.....	1
3	990670GT	RIVET,POP,SS,3/16"X1/2" BLIND	
4	823430GT	FP-CONTROL BOX, REAR, 50HZ, STD.... (replaced 186542GT at SN AL413-2417)	
5	186550GT	FP-CONTROL BOX BODY, AUTO.....	1
6	186554GT	BRACKET,E-BOX,AUTOSTART,AL4.....	1
7	C51601444GT	SCREW,FLANGE,1/4-20X1/2" PATCH	
8	993310GT	NUTSERT,1/4-20	
9	186553GT	FP-CONTROL BOX, FACE AUTO.....	1
10	186552GT	FORMING,PAN.FRNT,CT BOX AUTOST.....	1

Go to Discount-Equipment.com to order your parts



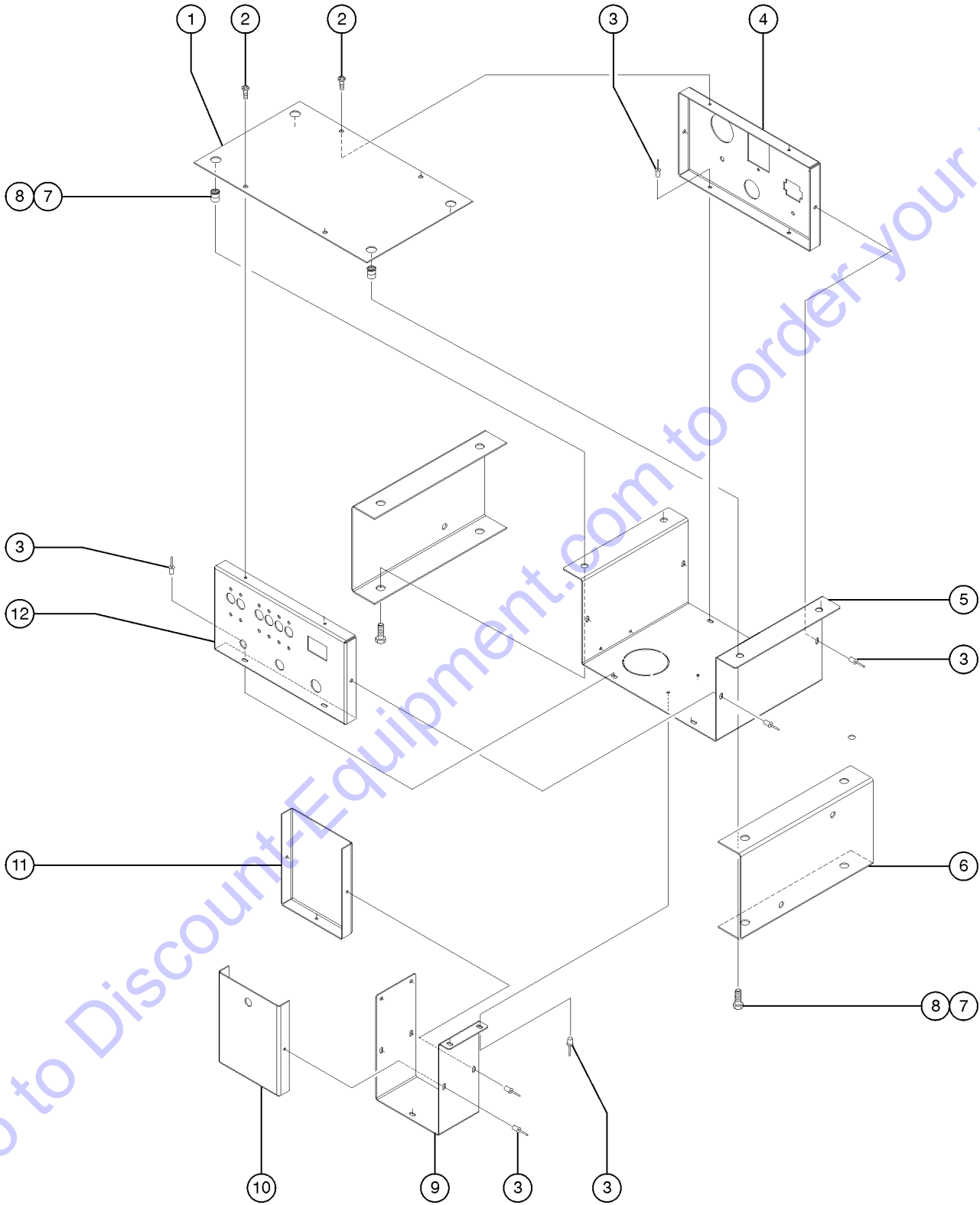
406.1 Control Box, Autostart, View 2



Item	Part No.	Description	Qty.
--	T114063GT	CNTRL BOX,60HZ,AUTOSTART	
1	686220GT	CONNECTOR 2 SCREW 1.25T-B.....1	1
2	680030GT	CONNECTOR 2 SCREW 3/4.....1	1
--	680250GT	LOCKNUT, CONDUIT 3/4CSA APPVD	
3	261299GT	AUTOSTART CONTROLLER.....1 <i>(includes control board, timer, decal and fasteners)</i>	1
4	995300GT	SCREW,PHM,6-32 X .25	
5	994420GT	WASHER,LOCK,#6 SS	
6	853309GT	DECAL:240V 30 AMP RECEPTACLE.....1	1
7	684450GT	RECEP 30A 20V 3POLE.....1	1
8	684640GT	RECEPTACLE 20A 120V DUPLEX GFI.....1	1
9	672262GT	SWITCH, TOGGLE 6A DPDT ON/OFF...1	1
10	C42208400GT	SWITCH TOGGLE SPST.....1	1
11	T106193GT	HOURLMETER,DIGITAL,RECTANGULAR.1	1
12	T113644GT	BREAKER,30A 250VAC 2P,CSA.....2	2
13	T113641GT	BREAKER,15A,120VAC 1P,CSA.....4	4
14	T113642GT	BREAKER,20A MINI,120VAC 1P,CSA.....1	1
15	160761GT	CONTACTOR 100 A DP 12VDC AUTO...1	1
16	684167GT	CONNECTOR 12P FEMALE.....1	1
17	R661490GT	RELAY 12V DC 30A NO OR.....4	4
18	55306GT	SCREW,PHILLIPS,PHM,4-40 X .50.....4	4
19	40766GT	NUT,NYLOCK,4-40.....4	4

Go to Discount-Equipment.com to order your parts

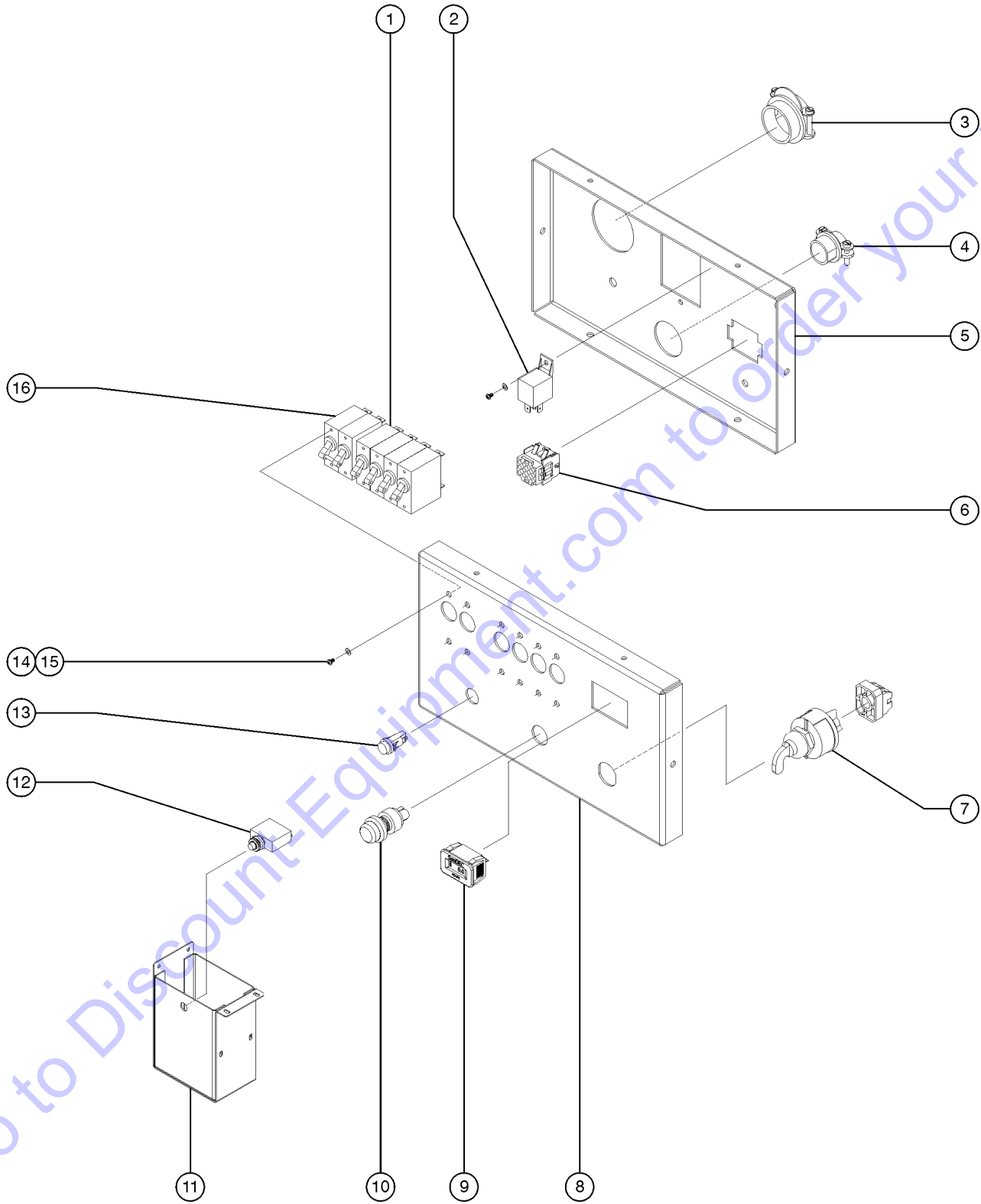
407.1 Control Box, 50 Hz, View 1



Item	Part No.	Description	Qty.
1	186543GT	FP-CONTROL BOX, TOP.....	1
2	996340GT	SCREW, PHM, 10-16 X 3/4	
3	990670GT	RIVET, POP, SS, 3/16" X 1/2" BLIND	
4	823428GT	FP-CONTROL BOX, REAR, SHORT..... <i>(replaced 116802GT, from SN AL413-2417)</i>	1
5	116801GT	FP-CONTROL BOX, BODY 50HZ.....	1
6	186554GT	BRACKET, E-BOX, AUTOSTART, AL4.....	1
7	C51601444GT	SCREW, FLANGE, 1/4-20 X 1/2" PATCH	
8	993310GT	NUTSERT, 1/4-20	
9	116919GT	FP-CONTROL BOX REC BOTTOM.....	1
10	996920GT	FP-CONTROL BOX REC FRONT.....	1
11	116921GT	FP-CONTROL BOX REC BACK.....	1
12	116803GT	FP-CONTROL BOX, FRONT 50HZ.....	1

Go to Discount-Equipment.com to order your parts

408.1 Control Box, 50 Hz, View 2

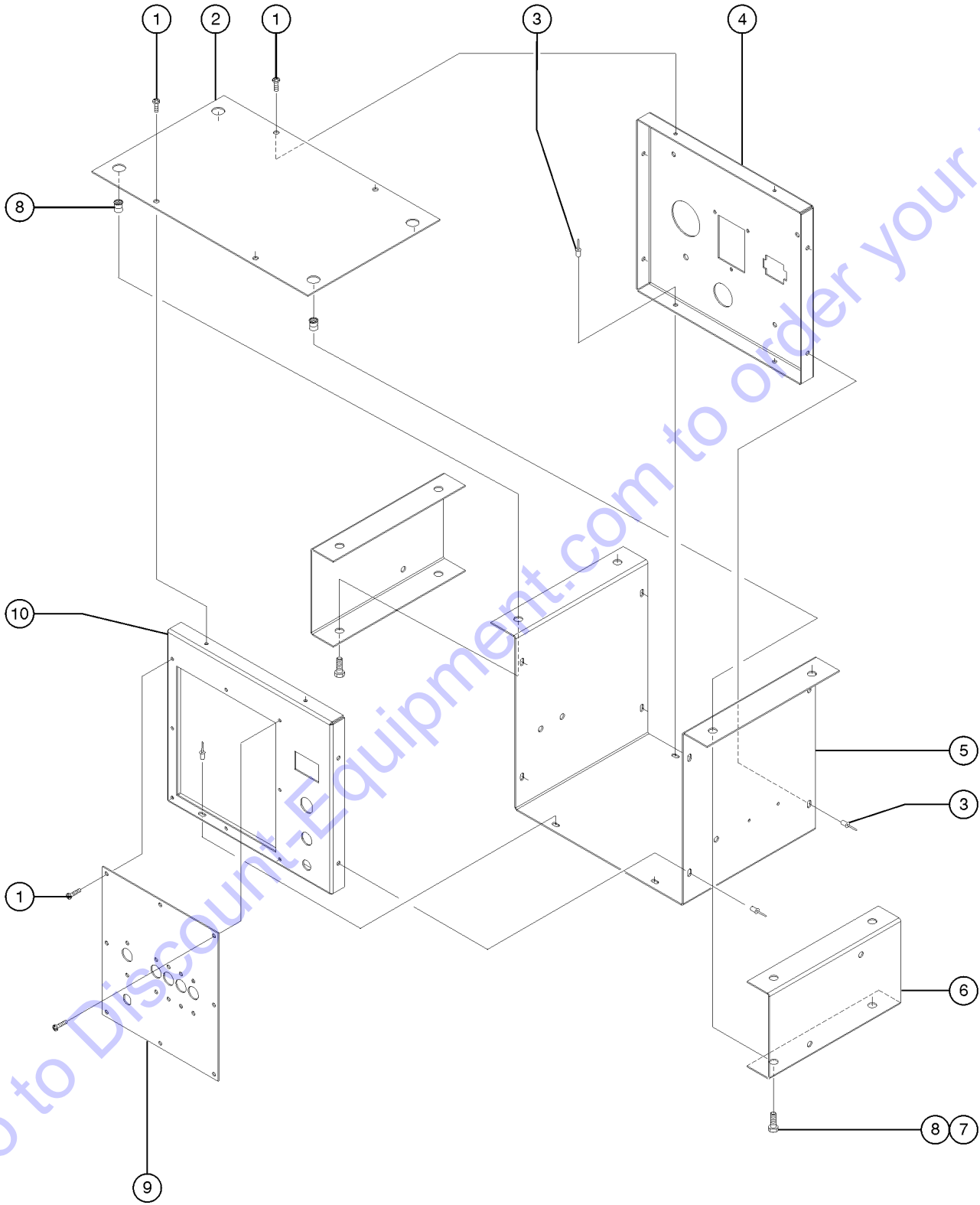


Go to DiscountEquipment.com to order your parts

Item	Part No.	Description	Qty.
A	826911GT	KIT CNTRL BOX 50HZ ALRL4 (to SN AL413-2416)	
--	822784GT	CONTRL BOX 50HZ, MH, 7KW,AL,RL	
--	826915GT	KIT CONTROL BOX TO COIL CORD (to SN AL413-2416)	
B	822784GT	CONTRL BOX 50HZ, MH, 7KW,AL,RL (replaced 116922GT) (from SN AL413-2417)	
1	683870GT	BREAKER 1P 15A 277VA.....	1
2	R661490GT	RELAY 12V DC 30A NO OR.....	1
3	686220GT	CONNECTOR 2 SCREW 1.25T-B.....	1
4	680030GT	CONNECTOR 2 SCREW 3/4.....	1
--	680250GT	LOCKNUT, CONDUIT 3/4CSA APPVD	
5		Ref. FP-CONTROL BOX REC BACK (refer to 405.1)	
6	684167GT	CONNECTOR 12P FEMALE.....	1
7	684380GT	IGNITION SWITCH,LEVER OPR.....	1
8		Ref. FP-CONTROL BOX REC FRONT (refer to 405.1)	
9	T106193GT	HOURMETER,DIGITAL,RECTANGULAR.	1
10	R660010GT	SWITCH PUSH-BUTTON W/BOOT.....	1
11		Ref. ELEC BOX (refer to 405.1)	
12	T113642GT	BREAKER,20A MINI,120VAC 1P,CSA.....	1
13	682715GT	LIGHT INDICATOR 12VRED.....	1
14	995300GT	SCREW,PHM,6-32 X .25.....	12
15	994420GT	WASHER,LOCK,#6 SS.....	12
16	T113644GT	BREAKER,30A 250VAC 2P,CSA.....	2

Go to Discount-Equipment.com to order your parts

409.1 Control Box, 50 Hz, Australia, View 1



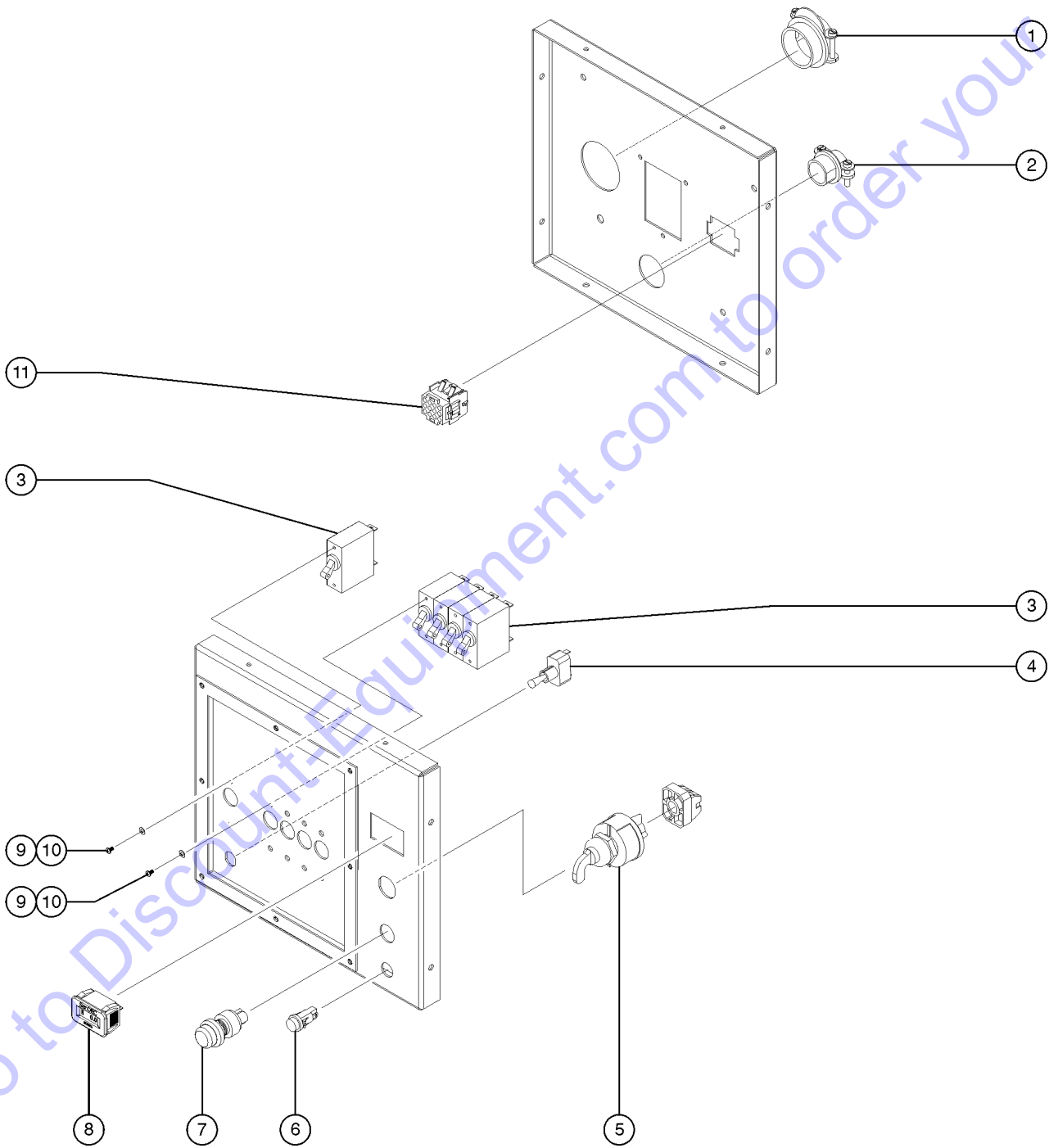
## 409.1 Control Box, 50 Hz, Australia, View 1

Item	Part No.	Description	Qty.
1	996340GT	SCREW,PHM,10-16 X 3/4	
2	186543GT	FP-CONTROL BOX, TOP.....1	
3	990670GT	RIVET,POP,SS,3/16"X1/2" BLIND	
4	823430GT	FP-CONTROL BOX,REAR,50HZ,STD....1 <i>(replaced 186540GT, from SN AL413-2417)</i>	
5	186540GT	BASE,CONTROL BOX,AL4 CONS.....1	
6	186554GT	BRACKET,E-BOX,AUTOSTART,AL4.....1	
7	C51601444GT	SCREW,FLANGE,1/4-20X1/2" PATCH	
8	993310GT	NUTSERT,1/4-20	
9	186551GT	PLATE,FACE,CNTL BOX,AUS.AL4.....1	
10	186544GT	BRACKET,E-BOX,AUTOSTART,AL4.....1	

Go to Discount-Equipment.com to order your parts



410.1 Control Box, 50 Hz, Australia, View 2

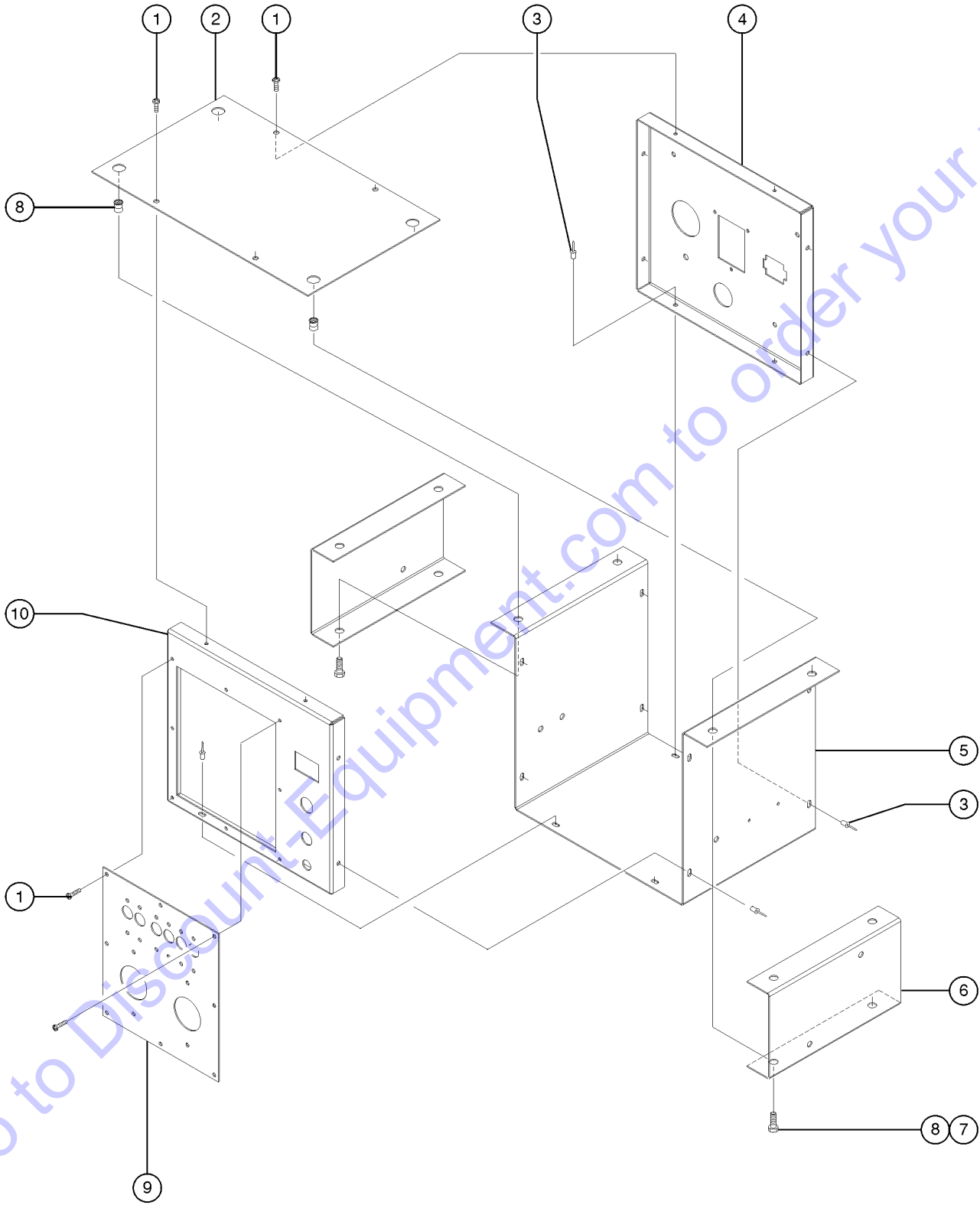


## 410.1 Control Box, 50 Hz, Australia, View 2

Item	Part No.	Description	Qty.
A	826912GT	KIT CNTRL BOX 240V AUS.....	1
--	822787GT	CNTRL BOX 50HZ MH 7KW 240V AUS	
--	826915GT	KIT CONTROL BOX TO COIL CORD	
1	686220GT	CONNECTOR 2 SCREW 1.25T-B.....	1
2	680030GT	CONNECTOR 2 SCREW 3/4.....	3
--	680250GT	LOCKNUT, CONDUIT 3/4CSA APPVD	
3	683870GT	BREAKER 1P 15A 277VA.....	4
4	C42202900GT	SWITCH TOGGLE SPDTON.....	1
5	684380GT	IGNITION SWITCH,LEVER OPR.....	1
6	682715GT	LIGHT INDICATOR 12VRED.....	1
7	R660010GT	SWITCH PUSH-BUTTON W/BOOT.....	1
8	T106193GT	HOURMETER,DIGITAL,RECTANGULAR.1	
9	995300GT	SCREW,PHM,6-32 X .25.....	10
10	994420GT	WASHER,LOCK,#6 SS.....	10
11	684167GT	CONNECTOR 12P FEMALE.....	1

Go to Discount-Equipment.com to order your parts

411.1 Control Box, 50 Hz, Twistlock, View 1

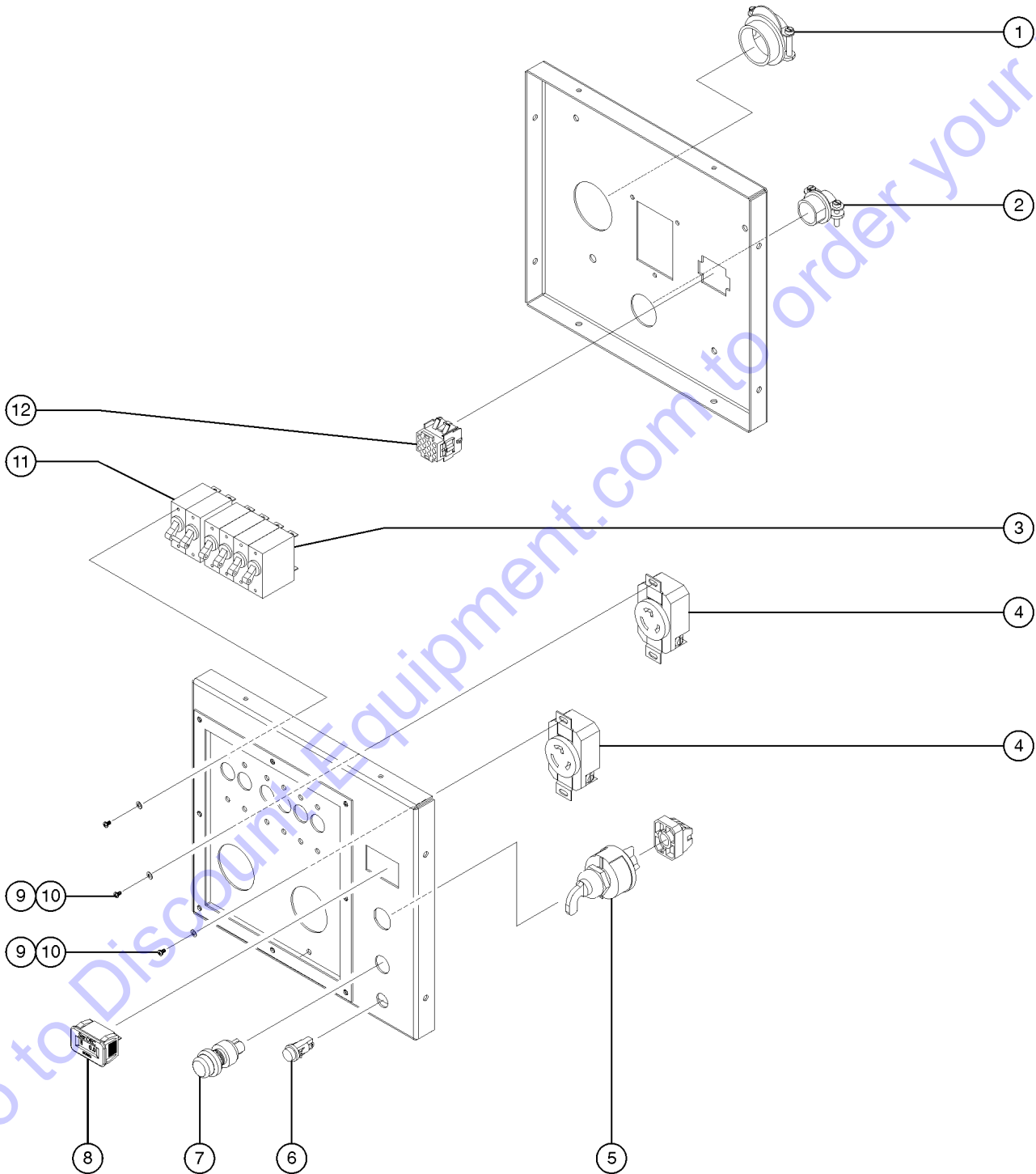


## 411.1 Control Box, 50 Hz, Twistlock, View 1

Item	Part No.	Description	Qty.
1	996340GT	SCREW,PHM,10-16 X 3/4	
2	186543GT	FP-CONTROL BOX, TOP.....1	
3	990670GT	RIVET,POP,SS,3/16"X1/2" BLIND	
4	823430GT	FP-CONTROL BOX, REAR, 50HZ, STD....1 (replaced 186542GT, from SN AL413-2417)	
5	186540GT	BASE, CONTROL BOX, AL4 CONS.....1	
6	186554GT	BRACKET, E-BOX, AUTOSTART, AL4.....1	
7	C51601444GT	SCREW, FLANGE, 1/4-20X1/2" PATCH	
8	993310GT	NUTSERT, 1/4-20	
9	T107893GT	PANEL, FRONT, CTRL BOX, 2 TL.....1	
10	186544GT	BRACKET, E-BOX, AUTOSTART, AL4.....1	

Go to Discount-Equipment.com to order your parts

412.1 Control Box, 50 Hz, Twistlock, View 2



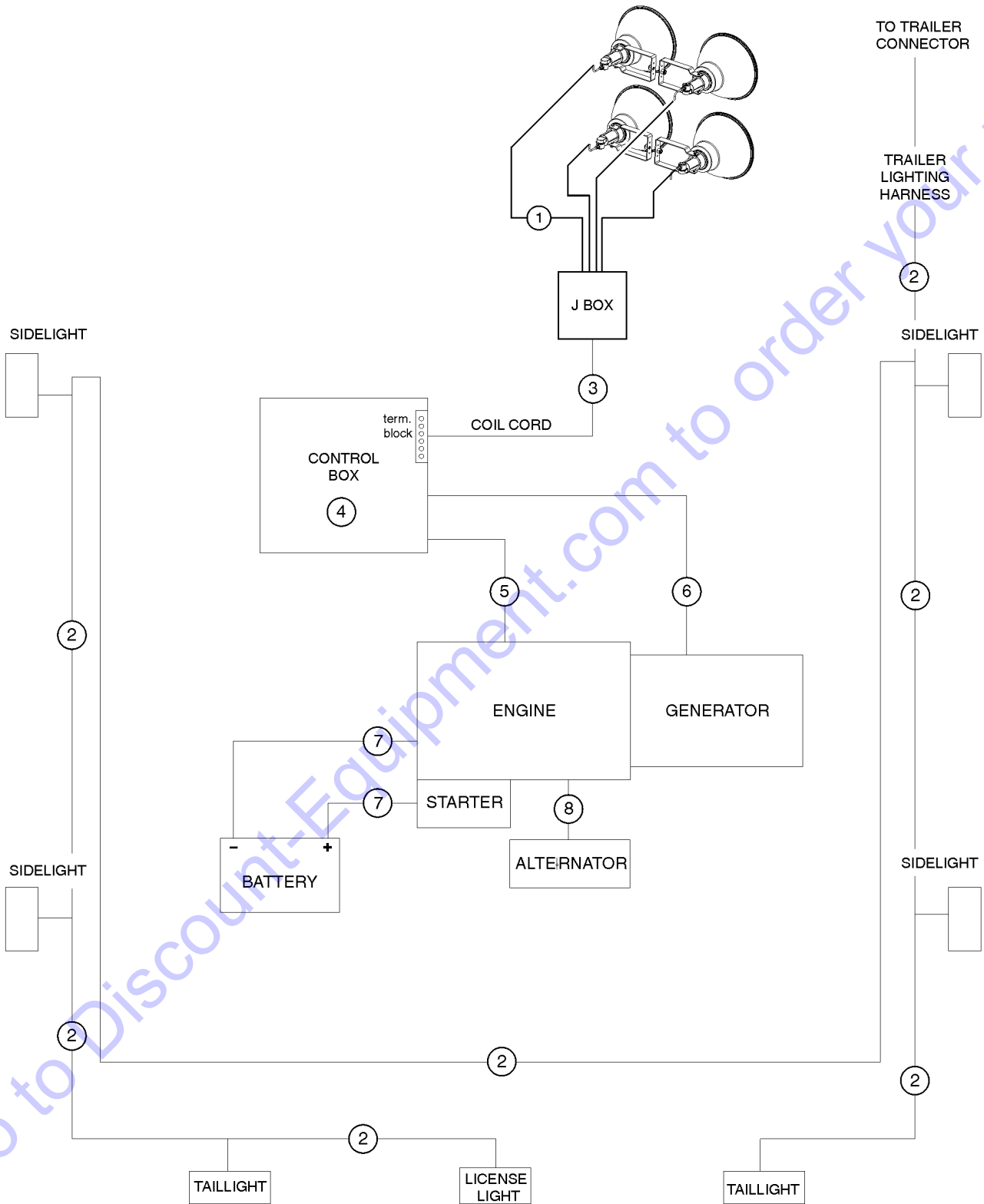
Go to [DiscountEquipment.com](http://DiscountEquipment.com) to order your parts

## 412.1 Control Box, 50 Hz, Twistlock, View 2

Item	Part No.	Description	Qty.
A	826914GT	KIT CNTRL BOX 50HZ 2XTL	
--	822786GT	CONTROL BOX 50HZ 7KW TL	
--	826915GT	KIT CONTROL BOX TO COIL CORD	
1	686220GT	CONNECTOR 2 SCREW 1.25T-B.....1	
2	680030GT	CONNECTOR 2 SCREW 3/4.....1	
--	680250GT	LOCKNUT, CONDUIT 3/4CSA APPVD	
3	T113641GT	BREAKER,15A,120VAC 1P,CSA.....4	
4	684450GT	RECEP 30A 20V 3POLE.....2	
5	684380GT	IGNITION SWITCH,LEVER OPR.....1	
6	682715GT	LIGHT INDICATOR 12VRED.....1	
7	R660010GT	SWITCH PUSH-BUTTON W/BOOT.....1	
8	T106193GT	HOURMETER,DIGITAL,RECTANGULAR.1	
9	995300GT	SCREW,PHM,6-32 X .25.....12	
10	994420GT	WASHER,LOCK,#6 SS.....12	
11	T113644GT	BREAKER,30A 250VAC 2P,CSA.....2	
12	684167GT	CONNECTOR 12P FEMALE.....1	

Go to Discount-Equipment.com to order your parts

413.1 Electrical Wiring and Power Cables



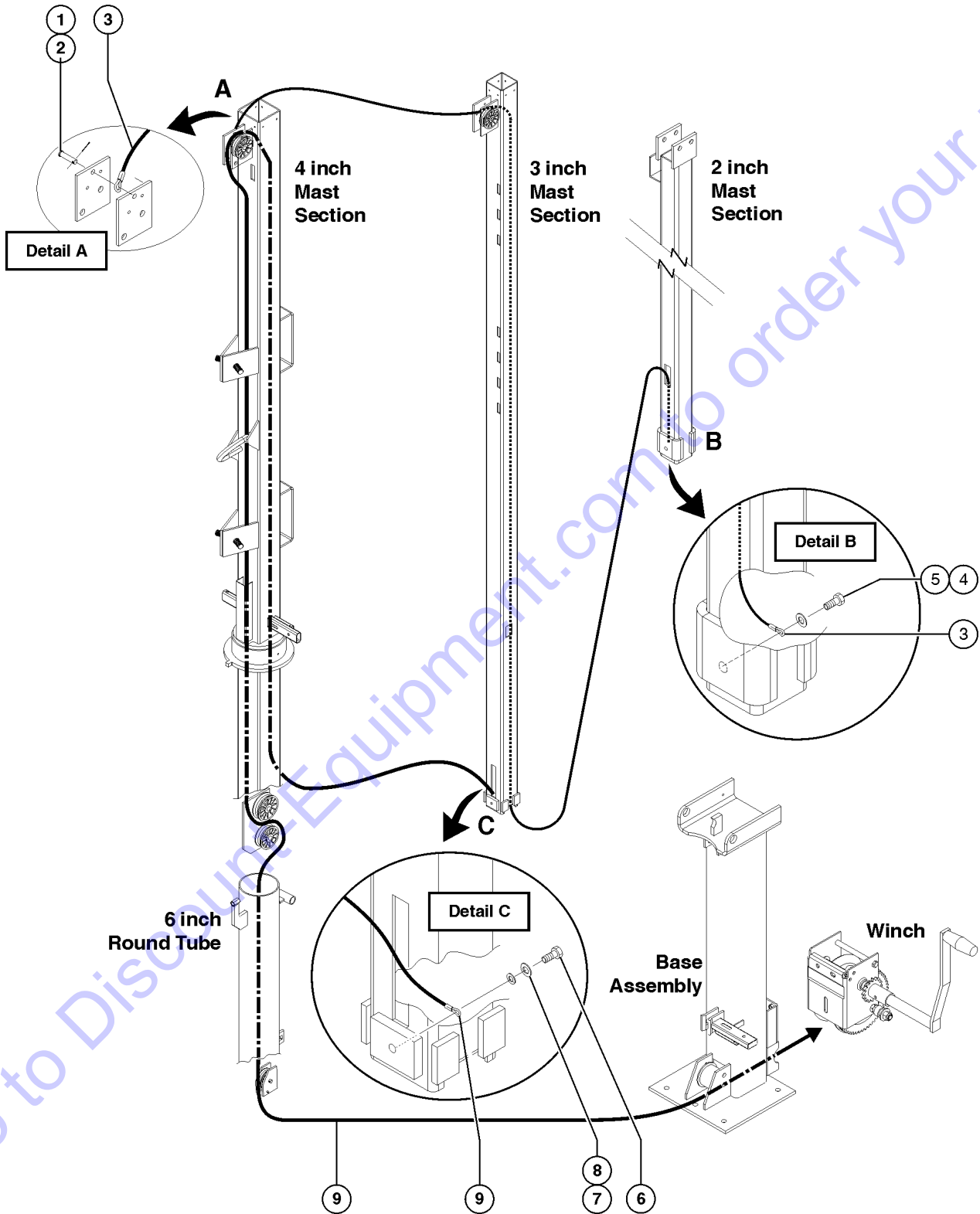
Go to Discount-Equipment.com to order your parts

## 413.1 Electrical Wiring and Power Cables

Item	Part No.	Description	Qty.	Item	Part No.	Description	Qty.
1		Ref. LAMP PIGTAIL (refer to 507.1 or 508.1)		7	160276GT	CABLE SET,BATTERY,24" RED&BLK.....1	
2A	T109325GT	SVC KIT,TAILLIGHTS,AL.....1		8	973085GT	KIT:ALTERNATOR WIRING,KUBOTA.....1	
--	663400GT	CONNECTOR,7-POLE,TLITE,RND PIN (7-pole connector (blade))					
--	663401GT	CONNECTOR,BLADE,POS,TAILT, 7P (7-pole connector (round); 663405GT required, order separately)					
--	663420GT	CONNECTOR,TAIL LIGHT,6 POLE (6-pole connector)					
--	663430GT	CONNECTOR,TAILLIGHT,4 PIN (4-pole connector)					
2B	T110696GT	HARNESS,BLACK OUT LIGHTS					
--	T110697GT	HARNESS,12 PIN CONNECTOR (blackout light option)					
3A	826916GT	KIT COIL CORD WO/ JUNCTION BOX...1 (coil cord without junction box) (from SN AL413-2416)					
--	660287GT	CORD,RETRACT,66COIL,14/7 SOWA (from SN AL413-2416)					
--	822809GT	KIT, COIL CORD HW (from SN AL413-2416)					
3B	826917GT	KIT COIL CORD W JUNCTION BOX (from SN AL413-2416)					
--	822809GT	KIT, COIL CORD HW (from SN AL413-2416)					
--	T109014GT	JUNC.BOX,4MH/HPS (includes strain relief and connectors)					
3C	T109014GT	JUNC.BOX,4MH/HPS					
--	663870GT	CONNECTOR 3P FEMALE RECEPTACLE					
--	680080GT	GRIP,HUBBLE 07401010					
--	680190GT	COVER,JUNC BOX W/GSKT, 2 GANG					
--	994380GT	SCREW,RH,6-32 X 5/8					
--	C48300108GT	BOX,JUNC,LIGHT TWR,4 CONN (Box only)					
3D	660287GT	CORD,RETRACT,66COIL,14/7 SOWA (coil cord without junction box)					
3E	219219GT	BOX, JUNC, AUSTRALIA					
3F	219223GT	COIL CORD, AUS, IEC					
4A	116815GT	WIRE HARN,DC,IN CTRL BOX,2006.....1 (engine)					
4C	R660715GT	DIODE 6AMP-50 PIV 2-WIRE.....1					
5A	116820GT	WIRE HARN,ENG,KUBOTA,DC,2006.....1 (engine)					
5B	116822GT	EA-WIRE HARNESS,PERKINS,DC (engine)					
--	800004GT	PIGTAIL,FUEL SOLENOID,KUBOTA					
6	237658GT	CABLE, POWER, 10/4 48".....1					
--	973420GT	KIT:GROUND WIRE					



501.1 Mast Assembly and Winch Cable Routing

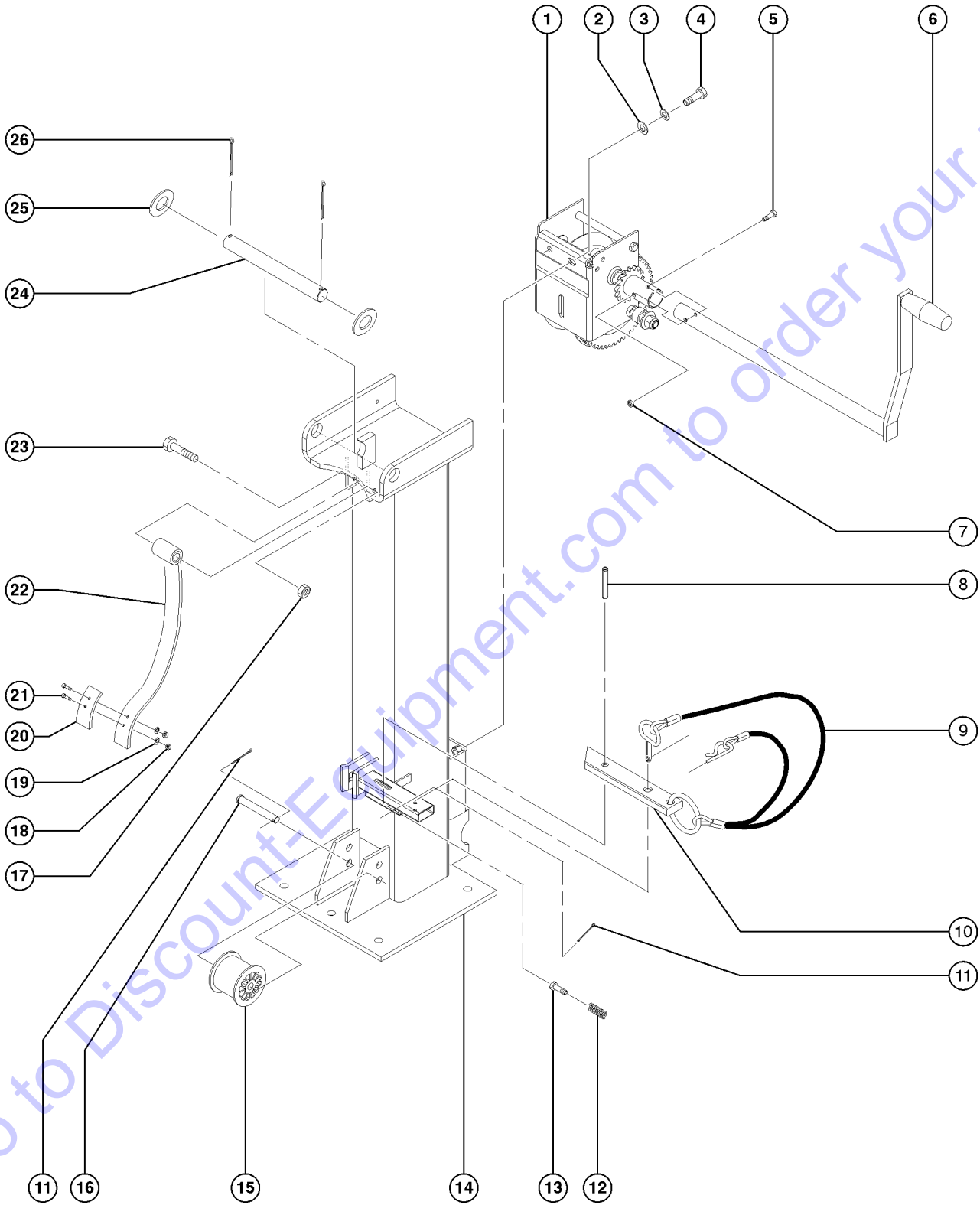


## 501.1 Mast Assembly and Winch Cable Routing

Item	Part No.	Description	Qty.
1	995780GT	CLEVIS PIN STAINLESSS.....	1
2	990650GT	COTTER PIN 1/8X1 SSBIN STOCK.....	1
3	109070GT	KIT,CABLE,UPPER AL4&5/LT5/SL4..... <i>(includes cable, shims, rivets, and fasteners)</i>	1
4	996230GT	SCREW,HHC,3/8-16 X 7/8.....	1
5	990470GT	WASHER LOCK 3/8ZP.....	1
6	990181GT	SCREW 3/8-16NCX1 HHC GR.....	1
7	15086GT	WASHER,FLAT,.375 X 1.5 X .125.....	1
8	990470GT	WASHER LOCK 3/8ZP.....	1
9	109065GT	KIT- CABLE ASSY LOWER 1/4" AL4..... <i>(includes cable, shims, rivets, and fasteners) (refer to 504.1 and 505.1 for shim installation)</i>	1

Go to Discount-Equipment.com to order your parts

502.1 Tower Base Assembly



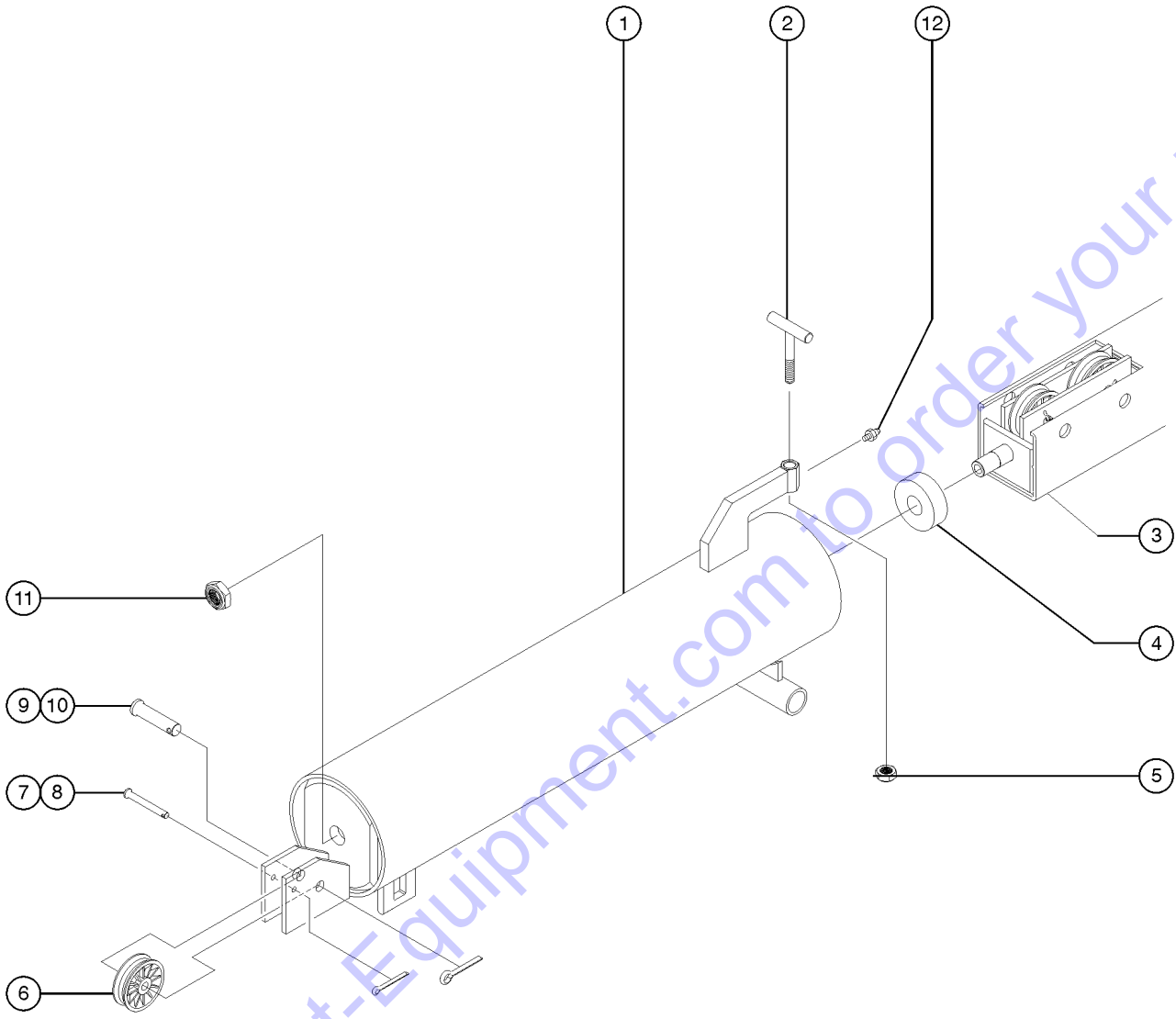
Go to Discount-Equipment.com to order your parts

## 502.1 Tower Base Assembly

Item	Part No.	Description	Qty.
1		Ref. Winch (refer to 210.1)	
2	990080GT	WASHER FLAT 3/8USS ZPBIN.....	2
3	990470GT	WASHER LOCK 3/8ZP.....	2
4	981575GT	SCREW,HHC,3/8-16 X 1 GR 5 ZP.....	2
5	6-5204-16GT	SCREW,HHC,1/4-20X2.00,GR8.....	1
6	124480GT	AS-WINCH HANDLE W/TUBE,AL4000...	1
7	824024GT	NUT,TL,1/4-20,C,ZAG.....	1
8	990660GT	ROLL PIN 1/4 X1-5/8.....	1
9	113362GT	MA-PIN LOCK SLIDE WITH RING..... (includes cable and pin)	1
10	22109517GT	KIT:LOCK SLIDE PIN W/..... (includes items 8-13)	1
11	990650GT	COTTER PIN 1/8X1 SSBIN STOCK.....	2
12	790710GT	SPRING,COIL,1/2 X 2.25.....	1
13	980340GT	SCREW,HHC,5/16-18 X 0.5 IN.....	1
14A	230613GT	TOWER BASE ASSY W/DEC,ALXL,WRD.....	1
14B	230638GT	TOWER BASE ASSY W/DEC,ALXL,SYM.....	1
15	184510GT	SHEAVE SPOOL 3 X2-1/2.....	1
16	995790GT	CLEVIS PIN STAINLESSS.....	1
17	990200GT	NUT,NYLOCK,1/2-13 GR2.....	1
18	824024GT	NUT,TL,1/4-20,C,ZAG.....	2
19	824024GT	NUT,TL,1/4-20,C,ZAG.....	2
20	186360GT	FP-BUMPER PAD,KICKOUT SPRING....	1
21	1258649GT	SCREW, PANHEAD, 10-32 X 5/8.....	1
22	193750GT	SPRING,KICKOUT,0.262X1.75,AL'S.....	1
23	981920GT	SCREW,HHC,1/2-13 X 3 G.....	1
24	971290GT	KIT:TWR,30'CBL TO PIVOT POST..... (includes items 21 and 22)	1
--	173115GT	PIN 1X9-1/4 TOWER PIVOT	
25	994000GT	WASHER FLAT 1S/S 18-8BIN.....	2
26	990770GT	COTTER PIN 3/16X1.5 SS.....	2

Go to DiscountEquipment.com to order your parts

503.1 Round Tube Assembly, 6 Inch



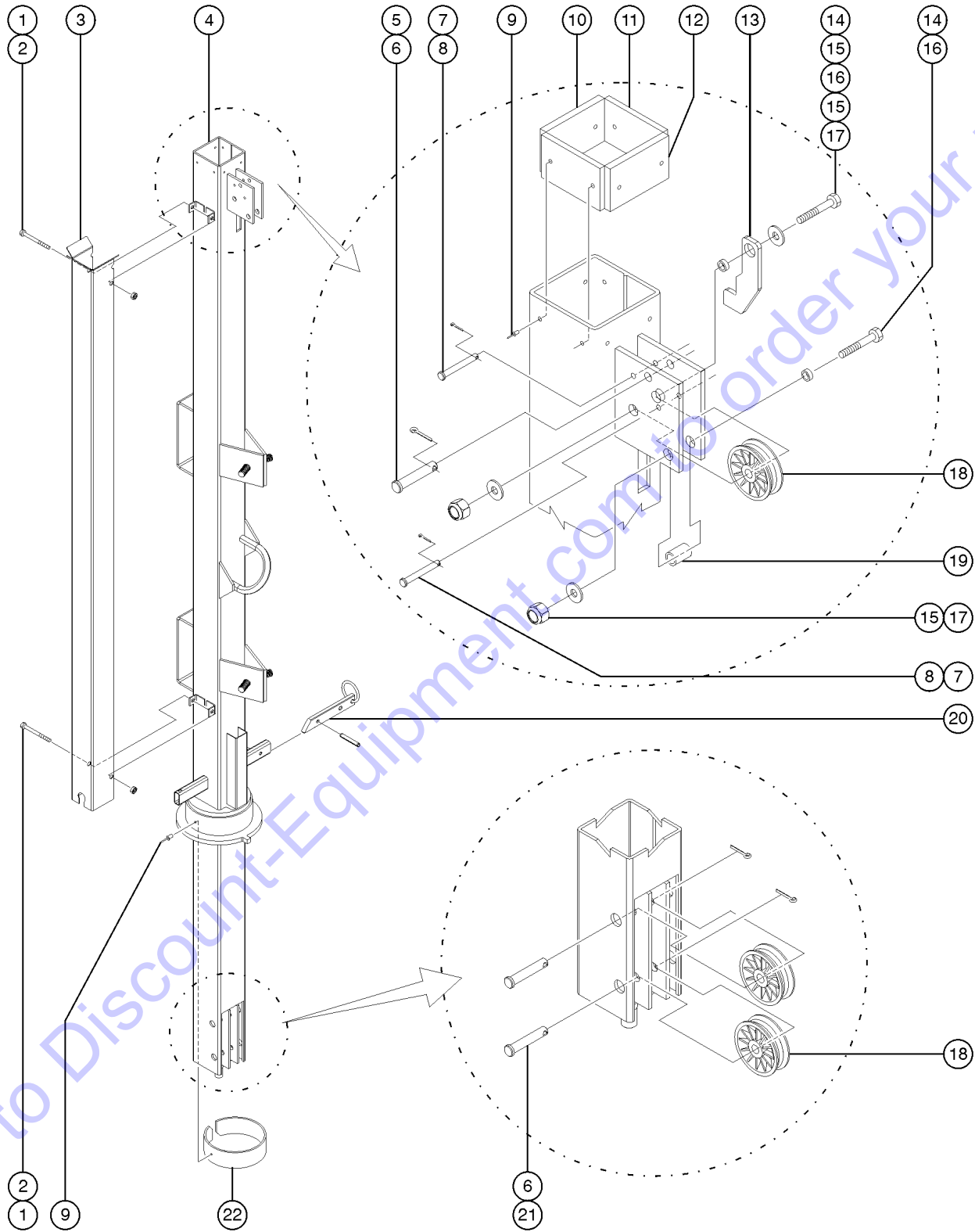
Go to Discount-Equipment.com to order your parts

## 503.1 Round Tube Assembly, 6 Inch

Item	Part No.	Description	Qty.
1	230612GT	6" ROUND TUBE ASSY W/DECAL.....	1
--	974690GT	KIT:TOWER,30',6"ROUND TUBE..... <i>(includes item 2 and items 5-11)</i>	1
2	990610GT	BOLT,TEE 1/2-20 X 4.5.....	1
3		Ref. Mast Assy, 4" <i>(refer to 504.1)</i>	
4	179850GT	BUSHING 2.5ODX13/16.....	1
5	995190GT	NUT,NYLOCK,1/2-20.....	1
6	188760GT	SHEAVE 3-1/8 X15/16.....	1
7	995790GT	CLEVIS PIN STAINLESSS.....	1
8	994920GT	COTTER PIN 3/32X3/4 S.....	1
9	992765GT	CLEVIS PIN STAINLESSS.....	1
10	990650GT	COTTER PIN 1/8X1 SSBIN STOCK.....	1
11	990620GT	NUT LOCK NYLON INSERT.....	1
12	28646GT	ZERK,GREASE,1/8 NPT.....	1

Go to Discount-Equipment.com to order your parts

504.1 Mast Assembly, 4-inch



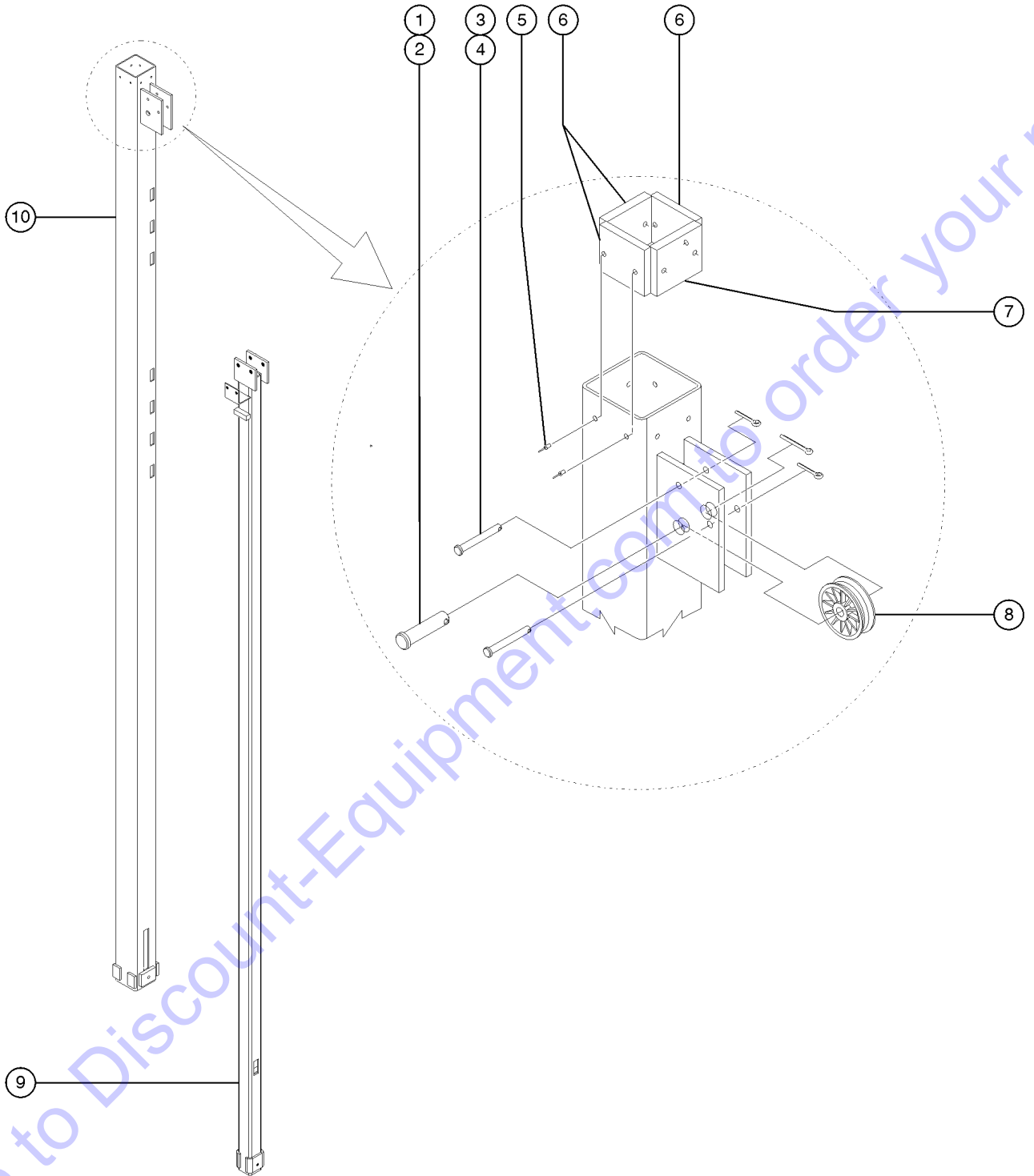
Go to Discount-Equipment.com to order your parts

Item	Part No.	Description	Qty.
1	990160GT	SCREW,HHC,3/8-16 X 3.75.....	2
2	824025GT	NUT,TL,3/8-16,C,ZAG.....	2
3	113080GT	SLEEVE,COIL CORD,AL4,AL5.....	1
4A	230614GT	4" MAST ASSY W/DECAL,ALXL,WORD.....	1
4B	230615GT	4" MAST ASSY W/DECALS,ALXL,SYM	
5	995780GT	CLEVIS PIN STAINLESSS.....	1
6	990650GT	COTTER PIN 1/8X1 SSBIN STOCK.....	3
7	995790GT	CLEVIS PIN STAINLESSS.....	2
8	994920GT	COTTER PIN 3/32X3/4 S.....	2
9	990670GT	RIVET,POP,SS,3/16"X1/2" BLIND.....	10
10	183288GT	FP-SHIM 3/16X2X3-3/16 PLASTIC.....	1
11	177830GT	FP-SHIM 1/4X2X3-3/16 PLASTIC.....	2
12	183286GT	FP-SHIM 5/16X2X3-3/16 PLASTIC.....	1
13	178335GT	FP-LOCK LEVER, AL SERIES.....	1
14	990190GT	SCREW,HHC,1/2-13 X 3.....	2
15	990210GT	WASHER FLAT 1/2ZP.....	3
16	683460GT	BUSHING, 3/4OD X 1/2ID ***** .....	2
17	990200GT	NUT,NYLOCK,1/2-13 GR2.....	2
18	188760GT	SHEAVE 3-1/8 X15/16.....	3
19	683450GT	BUSHING 11/16ODX1/2IDX1.032L.....	1
20		Ref. Lock Pin (refer to 502.1)	
21	992765GT	CLEVIS PIN STAINLESSS.....	2
22	177810GT	FP-SHIM 3/16X2X19-3/4 PLASTIC.....	1

Go to Discount-Equipment.com to order your parts



505.1 Mast Assembly, 2-inch and 3-inch

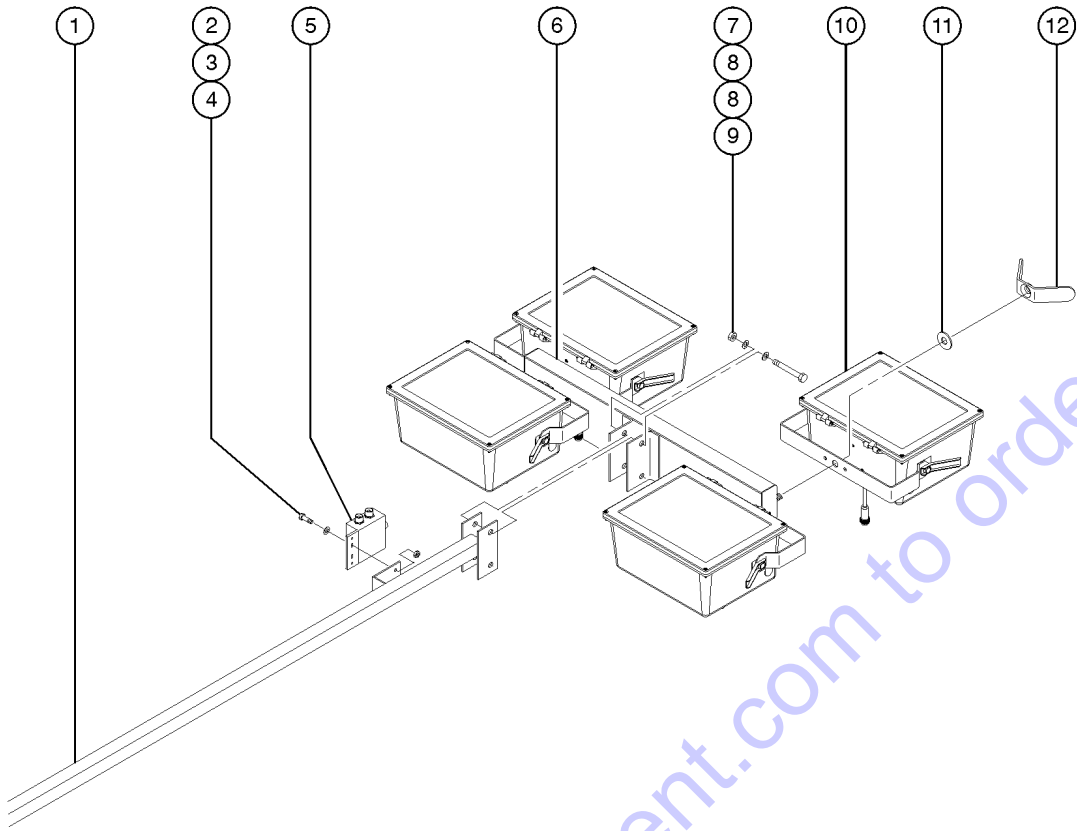


## 505.1 Mast Assembly, 2-inch and 3-inch

Item	Part No.	Description	Qty.
1	992765GT	CLEVIS PIN STAINLESSS.....	1
2	990650GT	COTTER PIN 1/8X1 SSBIN STOCK.....	1
3	995790GT	CLEVIS PIN STAINLESSS.....	2
4	994920GT	COTTER PIN 3/32X3/4 S.....	2
5	990670GT	RIVET,POP,SS,3/16"X1/2" BLIND.....	8
6	177820GT	FP-SHIM 5/16X2X2-1/4 PLASTIC.....	3
7	185290GT	FP-SHIM 3/8 X 2 X 2.25 PLASTIC.....	1
8	188760GT	SHEAVE 3-1/8 X15/16.....	1
9	124560GT	2" TOWER SECT,30'LG GALVANIZED....	1
10	124550GT	3 SECTION 30'TOWER AL4/AL5.....	1

Go to Discount-Equipment.com to order your parts

506.1 Mast Crossarm

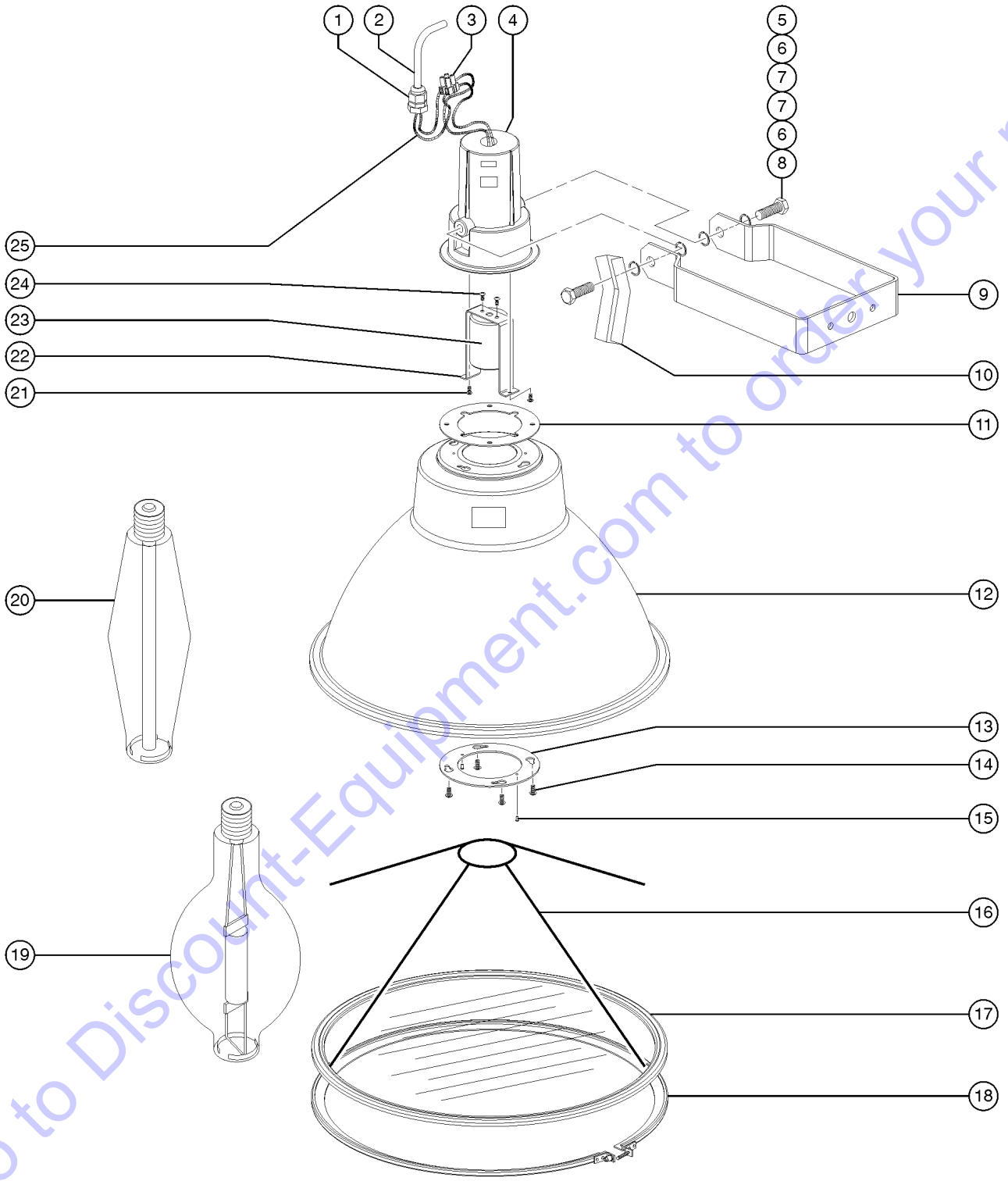


Go to Discount-Equipment.com to order your parts

Item	Part No.	Description	Qty.
1		Ref., 2-INCH MAST ASSY.....1 <i>refer to 505.1</i>	1
2	824060GT	SCREW,HHC,1/4-20X1,8,ZAG.....2	2
3	6638GT	WASHER,FLAT,USS,1/4"Y.....2	2
4	824024GT	NUT,TL,1/4-20,C,ZAG.....2	2
5		Ref., JUNCTION BOX <i>refer to 409.1</i>	
6	113040GT	CROSSARM,4 LIGHT,AL SERIES,GLV.....1	1
7	994460GT	SCREW,HHC,3/8-16 X 4.5 ZP.....2	2
8	990080GT	WASHER FLAT 3/8USS ZPBIN.....4	4
9	824025GT	NUT,TL,3/8-16,C,ZAG.....2	2
10A		Ref., ROUND LIGHT <i>refer to 507.1</i>	
10B		Ref., SQUARE LIGHT <i>(shown) refer to 508.1</i>	
11	990880GT	WASHER,LOCK,STAR 3/4 E.....4	4
12	22123080GT	WING NUT, FIXTURE,RL4,AL4,AL5.....4	4

Go to Discount-Equipment.com to order your parts

507.1 Light Assembly, Round

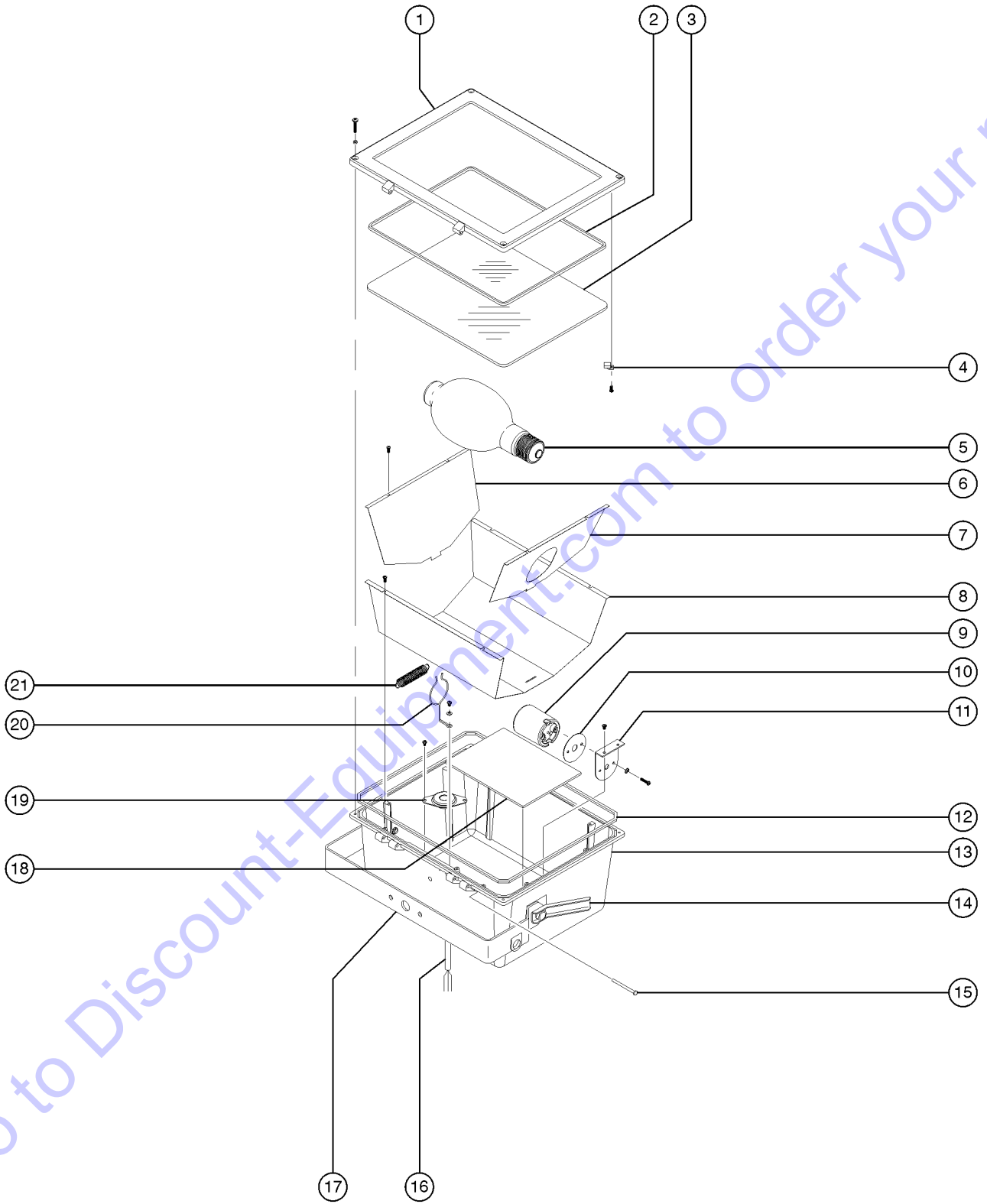


Go to Discount-Equipment.com to order your parts

## 507.1 Light Assembly, Round

Item	Part No.	Description	Qty.
--	C41100720GT	LIGHT FIXTURE,MH,AL4,RL4,AL5 <i>Light Fixture, Complete</i>	
1	683950GT	GASKET,STRAIN RELIEF,1/2	
--	680020GT	LOCKNUT,CONDUIT,1/2 CSA APPVD	
--	682470GT	CONN,STRAIN RELIEF,1/2 NPT	
2	663850GT	CORD SET MALE 5FT. 3P	
3	709034GT	TERMINAL STRIP,CE	
4	833567GT	CASTING,FIXTURE QUICK CONNECT	
5	990810GT	SCREW,HHC,1/2-13 X 1.5	
6	991650GT	WASHER LOCK 1/2ZP	
7	995970GT	WASHER LOCK STAR 1/2E	
8	981640GT	SCREW,HHC,1/2-13 X 1.25	
9	833566GT	BRKT,TRUNION	
10	833573GT	T-HANDLE	
11	833569GT	GASKET, HOUSING REFLECTOR BASE	
12	833547GT	REFLECTOR & LENS ASSY STD FIX <i>includes items 17-18</i>	
--	833568GT	REFLECTOR (C41100720)	
13	833570GT	RING,REINFORCING (C41100720)	
14	833571GT	SCREW,PHM,10-24 X 5/8	
15	990675GT	RIVET POP 1/8X.390 GR	
16	22120102GT	SPIDER, MH/HPS	
17	833524GT	LENS W/GASKET (C41100720)	
--	C2450108GT	LENS GASKET FOR LIGHT FIXTURE	
18	833543GT	CLAMP,LENS (C41100720)	
--	833574GT	SCREW,HH SLOT,8-32X1	
--	833578GT	NUTSERT,8-32 (833543)	
--	833581GT	WASHER,CLAMP,RUBBER(833543)	
19	160071GT	LAMP MH 1000W M1000/U SYL	
20	160140GT	LAMP HPS 1000W LU1000CSA APPVD	
21	833565GT	SCREW,PHM,8-32X3/8	
22	833563GT	BRKT,SOCKET MOGUL FO	
23	833564GT	SOCKET BASE-MOGUL	
24	833577GT	SCREW,RHM,6-32X5/8	
25	833582GT	SLEEVE,WIRE,FIBERGLASS	

508.1 Light Assembly, Square



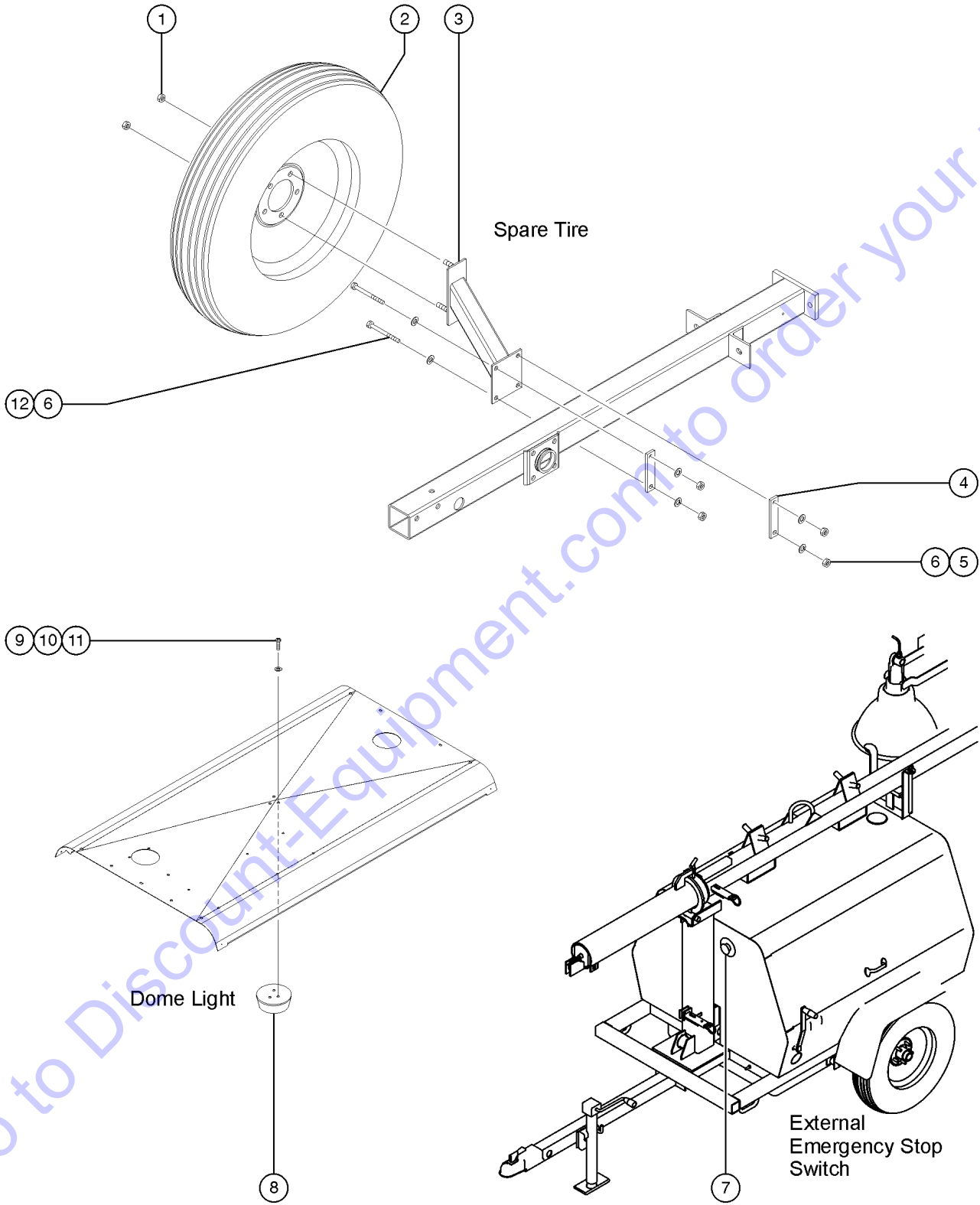
Go to Discount-Equipment.com to order your parts

## 508.1 Light Assembly, Square

Item	Part No.	Description	Qty.
--	1266141GT	FIXTURE ASSEMBLY 1000W RECT <i>includes items 14 and 17</i>	
1	116054GT	TOP FRAME,HOUSING BASE	
1B	71979GT	SCREW,INDENTED HEX,10-24 X .75 <i>for 116054</i>	
2	116049GT	GASKET,RECTANGULAR GLASS/LENS	
3A	116048GT	GLASS/LENS,RECTANGULAR PSI <i>(14.14 x 10.83 inches)</i>	
3B	80103GT	LENS,LIGHT (57449) <i>(15.38 x 12.13 inches)</i>	
3C	116010GT	GLASS LENS <i>(17.5 x 9.75 inches)</i>	
4	116051GT	RETAINER CLIP,GLASS/LENS	
--	116052GT	COVER,GLASS/LENS RETAINER CLIP	
5	160077GT	LAMP MH 1000W BT37HOR	
6	116046GT	REFLECTOR SIDE	
7	116047GT	REFLECTOR LAMP SIDE	
8	116045GT	REFLECTOR BASE	
9	116057GT	LIGHT SOCKET,PSI RECT 5 KV <i>includes pigtail</i>	
10	116056GT	GASKET,LIGHT SOCKET	
11	116044GT	BRACKET, SOCKET MOUNT	
12	116053GT	GASKET,HOUSING BASE, TOPFRAME	
13	116042GT	FIXTURE HOUSING BASE,1KW RECT <i>(replaced 116108GT)</i>	
14	116064GT	HANDLE, ADJUSTMENT.....	2
--	823380GT	BOLT, HANDLE.....	2
--	991650GT	WASHER LOCK 1/2ZP.....	2
--	995970GT	WASHER LOCK STAR 1/2E.....	2
15	116043GT	CLEVIS PIN,4.6X60MM	
16	663850GT	CORD SET MALE 5FT. 3P	
17	116055GT	YOKE,PSI RECT.LIGHT FIXTURE.....	1
18	116059GT	FIBERGLASS PAD,RECT LAMP FIXT	
19	116109GT	GROMMET ASSEMBLY	
20	116058GT	LAMP BRACE, RECT HOUSING	
21	116061GT	SPRING, LAMP RETAINER	



601.1 Spare Tire and Dome Light



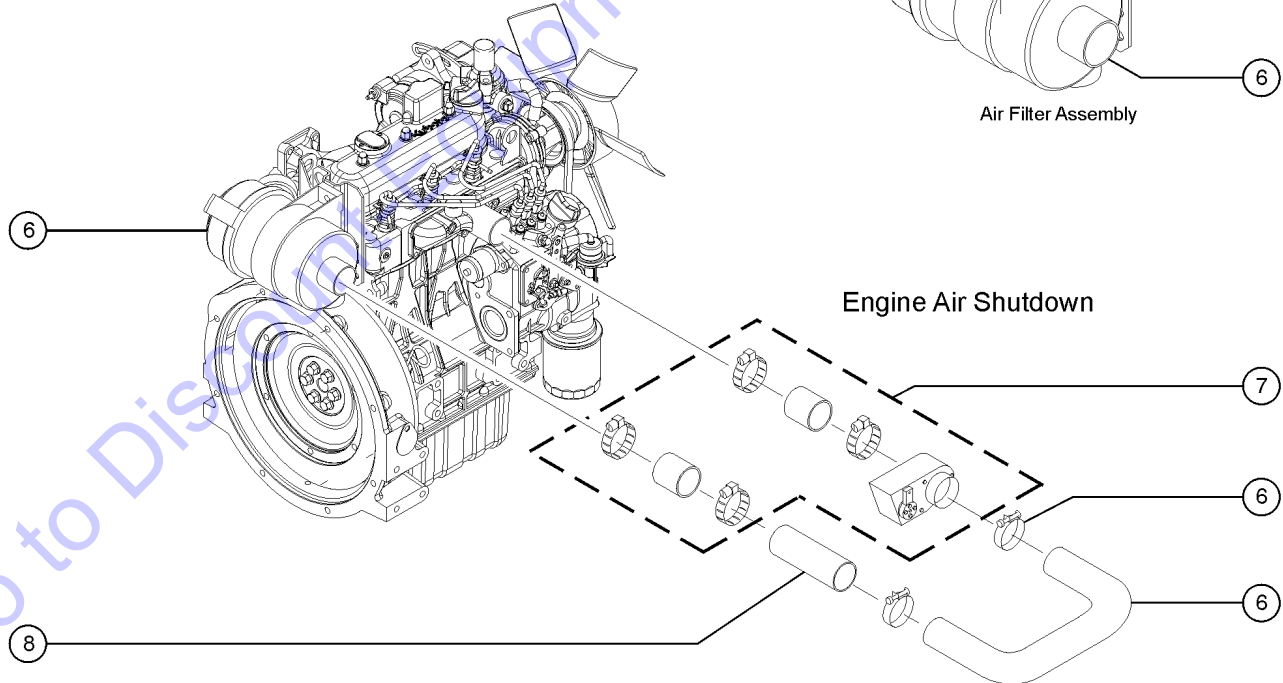
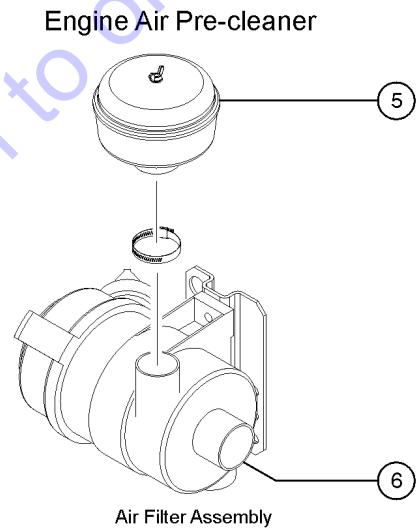
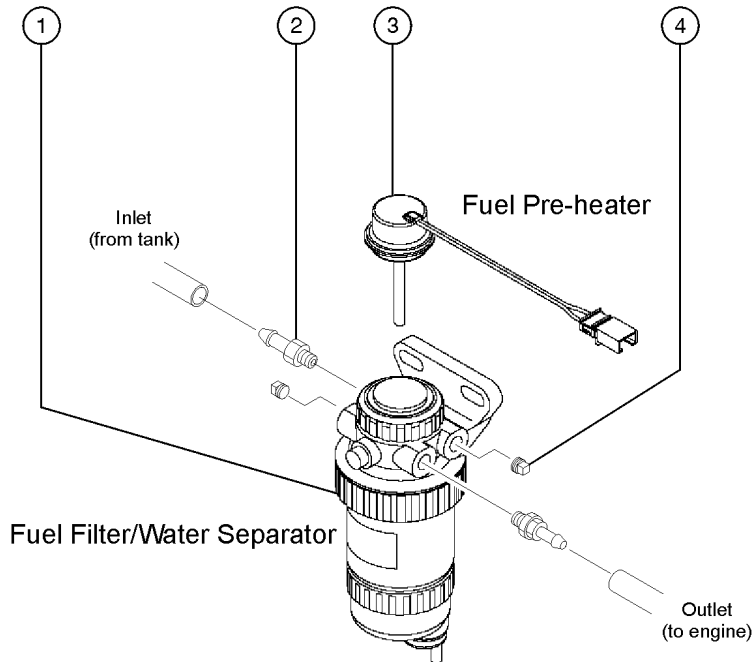
Go to Discount-Equipment.com to order your parts

## 601.1 Spare Tire and Dome Light

Item	Part No.	Description	Qty.
1	840376GT	NUT,WHEEL, 1/2 X 20.....	2
2		Ref. Tire (refer to 205.1)	
3	124310GT	SPARE TIRE MT,5 LUG WHEEL.....	1
4	188070GT	FP-CLAMP,SPARE TIRE BRACKET.....	2
5	824025GT	NUT,TL,3/8-16,C,ZAG.....	4
6	990080GT	WASHER FLAT 3/8USS ZPBIN.....	8
7	686660GT	ACUTATOR EMERGENCYSTO.....	1
--	686661GT	PLATE FACE EMERGENCY.....	1
--	686671GT	BLOCK CONTACT 2P/STNO.....	1
8	684030GT	LIGHT,DOME, 12V DC.....	1
9	1258649GT	SCREW, PANHEAD, 10-32 X 5/8.....	3
10	995755GT	WASHER FLAT BONDED3/1.....	3
11	6-6286-04GT	NUT.....	3
12	994460GT	SCREW,HHC,3/8-16 X 4.5 ZP.....	4

Go to Discount-Equipment.com to order your parts

602.1 Engine Options



Go to [Disco.com](http://Disco.com) to order your parts

## 602.1 Engine Options

Item	Part No.	Description	Qty.
1	116154GT	AY,DSL FUEL/WATER SEPARATOR.....1	
--	116148GT	GASKET,FUEL FILTER <i>for 116151GT</i>	
--	116151GT	FILTER,30 MICRON FUEL-WATER	
--	116152GT	GASKET,WATER COLLECTOR <i>for 116153GT</i>	
--	116153GT	WATER COLLECTOR AY	
--	116211GT	WASHER,RUBBER SEAL <i>for 116212GT</i>	
--	116212GT	VALVE,PLASTIC DRAIN	
1A	824025GT	NUT,TL,3/8-16,C,ZAG.....2	
1A	981120GT	WASHER FLAT 3/8 ZP SAE BIN.....4	
1A	990470GT	WASHER LOCK 3/8ZP.....2	
1A	991761GT	SCREW,HHC,3/8-16 X 1.25.....2	
2	898590GT	HOSE FITTING PIPE/BAR.....2	
3	116144GT	HEATER, TOPLOAD FUEL, 100W/12V...1	
--	116145GT	GASKET, FUEL HEATER	
--	116587GT	FUSE,ATC BLADE,10A	
--	116588GT	FUSE HOLDER,ATC BLADE,#16	
4	894230GT	PIPE PLUG 1/4 GALV.....2	
5	740455GT	AIR BREATHER PRE-CLEA	
6		Ref., ENGINE AIR COMPONENTS <i>refer to 304.1 or 306.1</i>	
7	228651GT	RODA DACO MANUAL SHUTDOWN.....1	
7A	227396GT	BRACKET,AIR SHUTDOWN <i>to SN AL411-519</i>	
7A	228652GT	SCREW,M10X1.25X20 <i>for 227396GT</i>	
7A	994830GT	WASHER,LOCK,M10 ZP <i>for 227396GT</i>	
8	228653GT	INTAKE FILTER SIDE MANUAL AIR.....1	

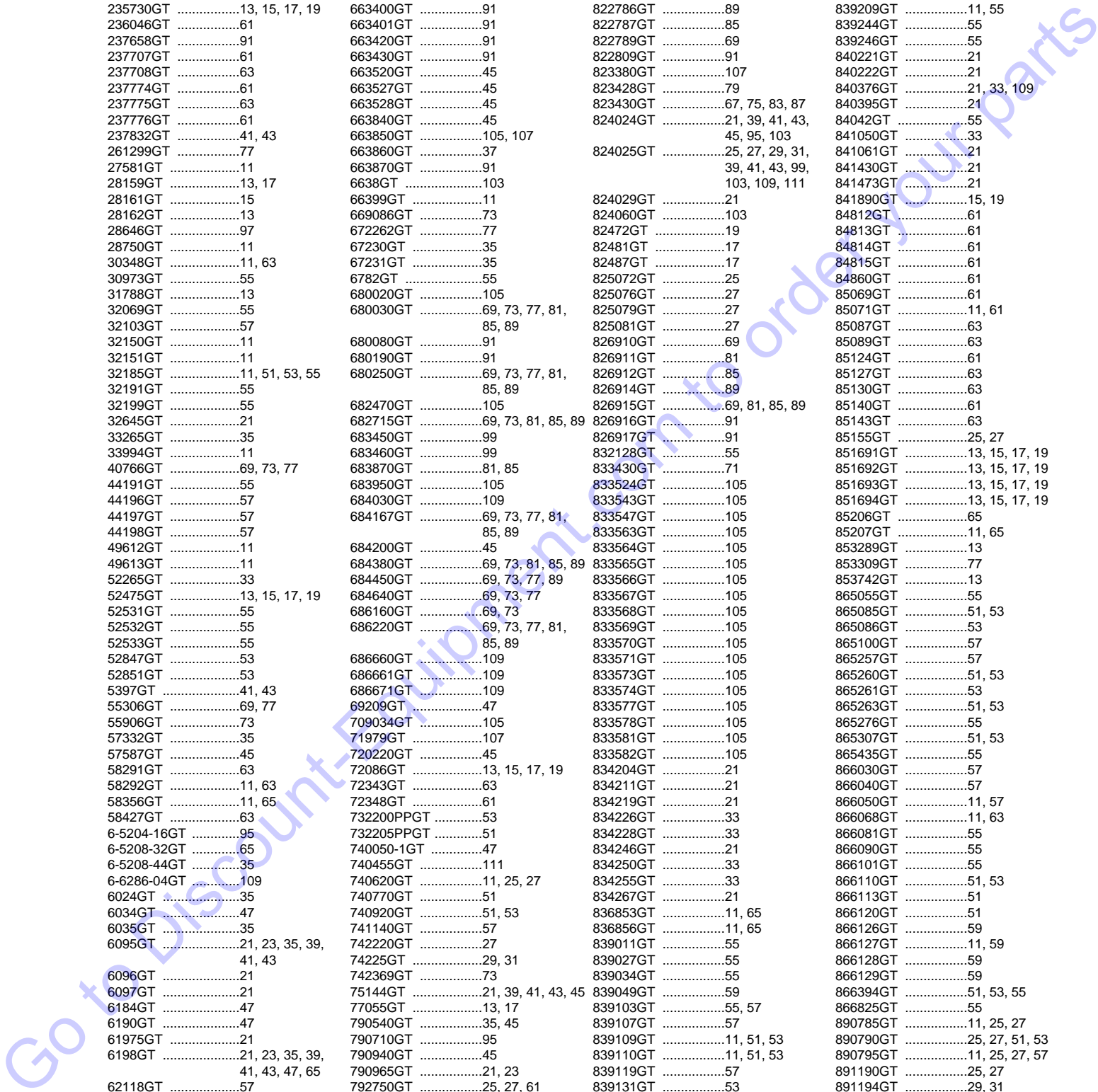
Go to DiscountEquipment.com to order your parts

## Part Number Index

The Part Number Index is a numeric index of all part numbers included in this manual. The index shows what page(s) the part is used on.

Part Number	Page	Part Number	Page	Part Number	Page	Part Number	Page
101201GT	55	116517GT	65	133149GT	17, 19	19428-72160GT	53
101208GT	55	116518GT	61	133462GT	13	213770GT	35
101209GT	55	116519GT	61	133463GT	13	216011GT	11
101319GT	61	116523GT	51, 53, 55	133482GT	13	216137GT	13
101320GT	61	116587GT	111	133483GT	13, 15	216138GT	17
101322GT	61	116588GT	111	133484GT	13	216631GT	21
101326GT	63	116729GT	61	13854GT	35	217717GT	25, 27
101327GT	63	116733GT	51, 53	139265GT	63	218075GT	25, 27
101341GT	61	116801GT	79	139272GT	61	218567GT	11
105756GT	47	116803GT	79	139278GT	55	218691GT	35
106663GT	61	116815GT	91	139279GT	55	219219GT	91
109065GT	49, 93	116820GT	91	147123GT	33	219223GT	91
109070GT	93	116822GT	91	1484GT	11	219224GT	49
109485GT	47	116833GT	55	15086GT	93	219225GT	49
109486GT	47	116893GT	17	160030GT	37	219228GT	49
110040GT	21	116894GT	17, 19	160032GT	37	22105013GT	33
110523GT	51, 53	116895GT	17	160033GT	37	22105016GT	33
113040GT	103	116901GT	13, 17	160071GT	105	22109505GT	25, 27
113080GT	99	116902GT	13, 17	160077GT	107	22109517GT	95
113362GT	95	116919GT	79	160140GT	105	22114359GT	37
113399GT	45	116921GT	79	160276GT	91	22120102GT	105
114251GT	17	116936GT	35	160421GT	41, 43	22123080GT	103
114258GT	13	116937GT	35	160422GT	41, 43	22124015GT	51
114355GT	37	116941GT	33	160423GT	41	22124016GT	51
114391GT	17	12012GT	47	160490GT	37	22124025GT	51
114431GT	13, 15	122025GT	23	160750GT	49	227082GT	35
114464GT	15, 19	122079GT	35	160761GT	77	227085GT	73
114480GT	21	123461GT	35	161109GT	51	227086GT	71
114895GT	37	123490GT	21, 39, 41, 43	161180GT	37	227275GT	67
115366GT	37	123680GT	45	161181GT	37	227348GT	13
116010GT	107	123840GT	65	161184GT	37	227396GT	111
116042GT	107	124310GT	109	161185GT	37	227518GT	13, 15, 17, 19
116043GT	107	124410GT	21	162160GT	21	22832GT	47
116044GT	107	124412GT	21	162189GT	45	228458GT	63
116045GT	107	124420GT	45	162280GT	27	228651GT	111
116046GT	107	124445GT	29, 31	173115GT	95	228652GT	111
116047GT	107	124460GT	45	176335GT	35	228653GT	111
116048GT	107	124470GT	21	177810GT	99	228708GT	13
116049GT	107	124480GT	95	177820GT	101	228709GT	13
116051GT	107	124515GT	29, 31	177830GT	99	228710GT	13
116052GT	107	124550GT	101	178335GT	99	228711GT	13
116053GT	107	124560GT	101	179850GT	97	228712GT	13
116054GT	107	124855GT	47	183286GT	99	228713GT	13, 17
116055GT	107	124856GT	47	183288GT	99	228714GT	13, 17
116056GT	107	124857GT	47	183731GT	35	229101GT	11
116057GT	107	124858GT	47	184150GT	45	229102GT	13, 17
116058GT	107	124860GT	47	184510GT	95	229457GT	11, 65
116059GT	107	125395GT	55	185290GT	101	229781GT	17
116061GT	107	1254824GT	51	186360GT	95	229782GT	17
116064GT	107	1256081GT	47	186540GT	67, 83, 87	229917GT	61
116109GT	107	1256082GT	47	186543GT	67, 71, 75, 79, 83, 87	229918GT	61
116139GT	25, 27	1256083GT	47	186544GT	67, 71, 83, 87	230560GT	33
116144GT	111	1257665GT	63	186550GT	75	230561GT	33
116145GT	111	1258567GT	11	186551GT	83	230562GT	33
116148GT	111	1258649GT	45, 95, 109	186552GT	75	230563GT	33
116151GT	111	1262632GT	35	186553GT	75	230565GT	33
116152GT	111	1266141GT	107	186554GT	67, 71, 75, 79, 83, 87	230566GT	33
116153GT	111	1268GT	11	188070GT	109	230567GT	33
116154GT	111	1274237GT	57	188530GT	39, 41, 43	230568GT	33
116157GT	25, 27	1275721GT	63	188554GT	39	230569GT	33
116168GT	65	1277953GT	65	188560GT	39	230570GT	33
116172GT	65	1283776GT	11	188570GT	39, 41, 43	230571GT	33
116177GT	65	1284614GT	43	188580GT	39, 41, 43	230573GT	33
116178GT	65	1284615GT	43	188630GT	25, 27	230575GT	33
116184GT	65	131379GT	11	188760GT	97, 99, 101	230577GT	33
116187GT	65	131661GT	11	189290GT	53	230579GT	33
116188GT	11	133012GT	15	189347GT	65	230580GT	33
116211GT	111	133017GT	15	189785GT	25, 27	230612GT	97
116212GT	111	133042GT	17	189790GT	25, 27	230613GT	95
116244GT	65	133055GT	19	189796GT	45	230614GT	99
116249GT	51	133062GT	13, 17	189800GT	25	230615GT	99
116252GT	51	133063GT	13, 17	189805GT	25, 27	230638GT	95
116253GT	65	133065GT	17, 19	193750GT	95	230738GT	39, 41, 43
116254GT	65	133066GT	19			231332GT	59
116503GT	55	133148GT	13, 15			231333GT	59

Part Number	Page	Part Number	Page	Part Number	Page	Part Number	Page
234842GT	55	660320GT	25, 27	822784GT	81	839200GT	11, 57
235730GT	13, 15, 17, 19	663400GT	91	822786GT	89	839209GT	11, 55
236046GT	61	663401GT	91	822787GT	85	839244GT	55
237658GT	91	663420GT	91	822789GT	69	839246GT	55
237707GT	61	663430GT	91	822809GT	91	840221GT	21
237708GT	63	663520GT	45	823380GT	107	840222GT	21
237774GT	61	663527GT	45	823428GT	79	840376GT	21, 33, 109
237775GT	63	663528GT	45	823430GT	67, 75, 83, 87	840395GT	21
237776GT	61	663840GT	45	824024GT	21, 39, 41, 43, 45, 95, 103	84042GT	55
237832GT	41, 43	663850GT	105, 107	824025GT	25, 27, 29, 31, 39, 41, 43, 99, 103, 109, 111	841050GT	33
261299GT	77	663860GT	37	824029GT	21	841061GT	21
27581GT	11	663870GT	91	824060GT	103	841430GT	21
28159GT	13, 17	6638GT	103	82472GT	19	841473GT	21
28161GT	15	66399GT	11	82481GT	17	841890GT	15, 19
28162GT	13	669086GT	73	82487GT	17	84812GT	61
28646GT	97	672262GT	77	825072GT	25	84813GT	61
28750GT	11	67230GT	35	825076GT	27	84814GT	61
30348GT	11, 63	67231GT	35	825079GT	27	84815GT	61
30973GT	55	6782GT	55	825081GT	27	84860GT	61
31788GT	13	680020GT	105	825081GT	27	85069GT	61
32069GT	55	680030GT	69, 73, 77, 81, 85, 89	825091GT	69	85071GT	11, 61
32103GT	57	680080GT	91	826911GT	81	85087GT	63
32150GT	11	680190GT	91	826912GT	85	85089GT	63
32151GT	11	680250GT	69, 73, 77, 81, 85, 89	826914GT	89	85124GT	61
32185GT	11, 51, 53, 55	682470GT	105	826915GT	69, 81, 85, 89	85127GT	63
32191GT	55	682715GT	69, 73, 81, 85, 89	826916GT	91	85130GT	63
32199GT	55	683450GT	99	826917GT	91	85140GT	61
32645GT	21	683460GT	99	832128GT	55	85143GT	63
33265GT	35	683870GT	81, 85	833430GT	71	85155GT	25, 27
33994GT	11	683950GT	105	833524GT	105	851691GT	13, 15, 17, 19
40766GT	69, 73, 77	684030GT	109	833543GT	105	851692GT	13, 15, 17, 19
44191GT	55	684167GT	69, 73, 77, 81, 85, 89	833547GT	105	851693GT	13, 15, 17, 19
44196GT	57	684200GT	45	833563GT	105	851694GT	13, 15, 17, 19
44197GT	57	684380GT	69, 73, 81, 85, 89	833564GT	105	85206GT	65
44198GT	57	684450GT	69, 73, 77, 89	833565GT	105	85207GT	11, 65
49612GT	11	684640GT	69, 73, 77	833566GT	105	853289GT	13
49613GT	11	686160GT	69, 73	833567GT	105	853309GT	77
52265GT	33	686220GT	69, 73, 77, 81, 85, 89	833568GT	105	853742GT	13
52475GT	13, 15, 17, 19	686660GT	109	833569GT	105	865055GT	55
52531GT	55	686661GT	109	833570GT	105	865085GT	51, 53
52532GT	55	69209GT	47	833571GT	105	865086GT	53
52533GT	55	709034GT	105	833573GT	105	865100GT	57
52847GT	53	71979GT	107	833574GT	105	865257GT	57
52851GT	53	720220GT	45	833577GT	105	865260GT	51, 53
5397GT	41, 43	72086GT	13, 15, 17, 19	833578GT	105	865261GT	53
55306GT	69, 77	72343GT	63	833581GT	105	865263GT	51, 53
55906GT	73	72348GT	61	833582GT	105	865276GT	55
57332GT	35	732200PPGT	53	834204GT	21	865307GT	51, 53
57587GT	45	732205PPGT	51	834211GT	21	865435GT	55
58291GT	63	740050-1GT	47	834219GT	21	866030GT	57
58292GT	11, 63	740455GT	111	834226GT	33	866040GT	57
58356GT	11, 65	740620GT	11, 25, 27	834228GT	33	866050GT	11, 57
58427GT	63	740770GT	51	834246GT	21	866068GT	11, 63
6-5204-16GT	95	740920GT	51, 53	834250GT	33	866081GT	55
6-5208-32GT	65	741140GT	57	834255GT	33	866090GT	55
6-5208-44GT	35	742220GT	27	834267GT	21	866101GT	55
6-6286-04GT	109	74225GT	29, 31	836853GT	11, 65	866110GT	51, 53
6024GT	35	742369GT	73	836856GT	11, 65	866113GT	51
6034GT	47	75144GT	21, 39, 41, 43, 45	839011GT	55	866120GT	51
6035GT	35	77055GT	13, 17	839027GT	55	866126GT	59
6095GT	21, 23, 35, 39, 41, 43	790540GT	35, 45	839034GT	55	866127GT	11, 59
6096GT	21	790710GT	95	839049GT	59	866128GT	59
6097GT	21	790940GT	45	839103GT	55, 57	866129GT	59
6184GT	47	790965GT	21, 23	839107GT	57	866129GT	59
6190GT	47	792750GT	25, 27, 61	839109GT	11, 51, 53	866394GT	51, 53, 55
61975GT	21	796432GT	45	839110GT	11, 51, 53	866825GT	55
6198GT	21, 23, 35, 39, 41, 43, 47, 65	796436GT	45	839119GT	57	890785GT	11, 25, 27
62118GT	57	796610GT	39	839131GT	53	890790GT	25, 27, 51, 53
62296GT	55	800004GT	91	839134GT	55	890795GT	11, 25, 27, 57
62421GT	11, 61	80103GT	107	839149GT	57	891190GT	25, 27
6291GT	47	80379GT	51, 53, 65	839151GT	55	891194GT	29, 31
65636GT	61			839154GT	55	891520GT	25
65638GT	61			839157GT	57	891560GT	25
660287GT	91			839190GT	55	89163GT	35
						894230GT	111
						894340GT	25
						897110GT	61



## Part Number Index (continued)

Part Number	Page	Part Number	Page	Part Number	Page
89761GT	61	993850GT	45	T114063GT	77
89764GT	61	993860GT	39, 41, 43, 45		
898575GT	25, 27	993900GT	39, 41, 43		
898590GT	11, 25, 57, 111	994000GT	95		
930950GT	21, 39, 41, 43	994130GT	21, 45		
93500GT	11	994380GT	91		
94762GT	11	994420GT	69, 73, 77, 81, 85, 89		
94889GT	61	994460GT	103, 109		
970760GT	47	994600GT	21, 23, 39, 41, 43, 45		
971290GT	95	994650GT	25, 27		
972885GT	39, 41, 43	994830GT	51, 53, 111		
973085GT	91	994920GT	97, 99, 101		
973420GT	91	995110GT	51, 53		
97426GT	63	995190GT	97		
97427GT	61	995300GT	69, 73, 77, 81, 85, 89		
97428GT	11, 63	995310GT	35		
97461GT	61	995380GT	51		
974635GT	39, 41, 43	995465GT	29, 31		
974636GT	39, 41, 43	995490GT	37		
974637GT	39, 41, 43	995755GT	109		
974645GT	21	995780GT	93, 99		
974690GT	97	995790GT	95, 97, 99, 101		
97473GT	63	995810GT	25, 27, 37, 39, 41, 43, 45		
974800GT	55	995970GT	105, 107		
97483GT	61	996230GT	93		
97518GT	15	996340GT	67, 71, 75, 79, 83, 87		
97666GT	13	996375GT	25, 27		
97675GT	13	996920GT	79		
980340GT	95	C2450108GT	105		
980480GT	47	C41100720GT	105		
981120GT	25, 27, 29, 31, 65, 111	C42202900GT	85		
981450GT	65	C42208400GT	77		
981575GT	95	C48300108GT	91		
981640GT	105	C51600800GT	51, 53		
981920GT	95	C51601442GT	51, 53		
990080GT	39, 41, 43, 95, 103, 109	C51601444GT	67, 71, 75, 79, 83, 87		
990160GT	39, 41, 43, 99	C51601570GT	45		
990181GT	93	R660010GT	69, 73, 81, 85, 89		
990190GT	99	R660715GT	91		
990200GT	25, 27, 29, 31, 51, 53, 95, 99	R661490GT	69, 73, 77, 81		
990210GT	25, 27, 29, 31, 51, 53, 65, 99	R890065GT	25, 27		
990230GT	25, 27	R980300GT	45		
990270GT	39, 41, 43, 53, 61, 65	R981095GT	61		
990340GT	39, 41, 43	T106193GT	69, 73, 77, 81, 85, 89		
990410GT	53	T107893GT	87		
990415GT	51, 61, 65	T108021GT	15		
990460GT	65	T108022GT	15		
990470GT	65, 93, 95, 111	T108023GT	19		
990610GT	97	T108024GT	19		
990620GT	97	T108458GT	23		
990650GT	47, 93, 95, 97, 99, 101	T109006GT	45		
990660GT	95	T109014GT	91		
990670GT	39, 45, 67, 71, 75, 79, 83, 87, 99, 101	T109127GT	35		
990675GT	105	T109129GT	35		
990770GT	95	T109325GT	91		
990810GT	105	T109757GT	67, 71		
990880GT	103	T110629GT	45		
991650GT	35, 39, 41, 43, 45, 51, 61, 65, 105, 107	T110630GT	45		
991690GT	21, 23	T110631GT	45		
991761GT	65, 111	T110632GT	35		
99199GT	57	T110696GT	91		
992590GT	29, 31	T110697GT	91		
992765GT	97, 99, 101	T111112GT	39, 41, 43		
993240GT	21, 23	T111113GT	39, 41, 43		
993310GT	45, 67, 71, 75, 79, 83, 87	T111131GT	39, 41, 43		
		T111700GT	65		
		T113641GT	69, 73, 77, 89		
		T113642GT	69, 73, 77, 81		
		T113644GT	69, 73, 77, 81, 89		

The Part Description Index is an alphabetical index of all part descriptions included in this manual. The index shows what page(s) the part is used on.

**1**  
12V MOTOR ASSY,SUPERWINCH.....49  
12V WIRED SOLENOID,SUPERWINCH.....49

**2**  
2" TOWER SECT,30'LG GALVANIZED.....101

**3**  
3 SECTION 30'TOWER AL4/AL5.....101

**4**  
4" MAST ASSY W/DECAL,ALXL,WORD.....99  
4" MAST ASSY W/DECALS,ALXL,SYM.....99

**6**  
6" ROUND TUBE ASSY W/DECAL.....97

**A**  
ACUTATOR EMERGENCYSTO.....109  
ADJUSTER SCREW ASSY, ALXL.....33  
ADJUSTER SPRING,E BRAKE,ALXL.....33  
ADJUSTER SPRING,H BRAKE,ALXL.....33  
AIR BREATHER PRE-CLEA.....111  
AIR CLEANER BRACKET, D1105.....59  
AIR FILTER,ASSEMBLY.....63  
ALTERNATOR,15A,PERKINS 103.10.....63  
ALTERNATOR,KUBOTA\*.....55  
AS-PANEL, REAR,CABINET,AL4.....39, 41, 43  
AS-RING HITCH MOUNT.....35  
AS-WINCH HANDLE W/TUBE,AL4000.....95  
AS:ENGINE RISER 3.25 HIGH.....51  
ASM,CNTRL BOX AUTO AS 8KW.....73  
ASY:AXLE 3500LB W/HYD BRAKE.....33  
AUTOSTART CONTROLLER.....77  
AXLE ASSY ELE,3500 W/PRK BRK.....33  
AXLE ASSY,3500LB,IDLE,AL4.....33  
AY,DSL FUEL/WATER SEPARATOR.....111

**B**  
BALL, 2" ZINC.....35  
BALLAST ASSY,50HZ,MH,1000W.....37  
BALLAST ASSY,50HZ,MH,1000W AUS.....37  
BALLAST ASSY,60HZ,HPS,1000W.....37  
BALLAST ASSY,60HZ,MH,1KW,120V.....37  
BALLAST MH 50HZ 120V/.....37  
BALLAST/CAP MH60Hz120.....37  
BASE,CONTROL BOX,AL4 CONS.....67, 83, 87  
BEARING, MARATHON GEN.....65  
BEARING, ODE.....65  
BEARING,ALXL,840377,841050.....33  
BELT-FAN, PERKINS (103.10).....11, 61  
BKT,FILTER MNT,PERKINS 403D-11G.....63  
BLOCK CONTACT 2P/STNO.....109  
BODY,AIR CLEANER,KUBOTA.....59  
BOLT, HANDLE.....107  
BOLT,AXLE,3/16X3 W/7/16-20STEP.....21  
BOLT,M10-1.25 x 35,W/HOLE.....51  
BOLT,TEE 1/2-20 X 4.5.....97  
BOX, JUNC, AUSTRALIA.....91  
BOX,JUNC,LIGHT TWR,4 CONN.....91  
BRACKET ADJ HGT 6".....35

BRACKET W/BALL,GAS SPRING.....45  
BRACKET, FUEL FILTER.....57  
BRACKET, SOCKET MOUNT.....107  
BRACKET,AIR SHUTDOWN.....111  
BRACKET,E-BOX,AUTOSTART,AL4.....67, 71, 75, 79, 83, 87  
BRACKET,GENERATOR MOUNT.....65  
BRACKET-RADIATOR SUPRT,INBOARD.....53  
BRACKET-RADIATOR SUPRT,OUTBRD.....53  
BRAKE DRUM,ALXL.....33  
BREAKER 1P 15A 277VA.....81, 85  
BREAKER,15A,120VAC 1P,CSA.....69, 73, 77, 89  
BREAKER,20A MINI,120VAC 1P,CSA.....69, 73, 77, 81  
BREAKER,30A 250VAC 2P,CSA.....69, 73, 77, 81, 89  
BRKT,SOCKET MOGUL FO.....105  
BRKT,TRUNION.....105  
BUMPER REAR TOWER SUP.....45  
BUMPER,RUBBER-1 X 1.25.....55  
BUND FLUIDS CONTAINPA.....29, 31  
BUND FUEL CONTAINPAN.....29, 31  
BUSHING 11/16ODX1/2IDX1.032L.....99  
BUSHING 2.5ODX13/16.....97  
BUSHING FLANGE 1.25OD.....47  
BUSHING, 3/4OD X 1/2ID \*\*\*\*\*.....99  
BUSHING, 630DX.328ID .375T.....55  
BUSHING,WINCH ROLLER LOCK.....47  
BUSHING,WNCH HANDL,0.5X2.0X3.5.....45

**C**  
CABINET FRONT PANELAL.....39, 41, 43  
CABINET REAR PANEL BLKOUT.....39, 41, 43  
CABINET TOP PANELAL4 AUTOSTART.....39  
CABLE KEEP KIT (BRACKET TYPE)\*.....47  
CABLE SET,BATTERY,24" RED&BLK.....91  
CABLE, POWER, 10/4 48".....91  
CAP FUEL AL4 GAGE W TETHER.....25, 27  
CAP FUEL RL4/AL4 WITH TETHER.....25, 27  
CAP, OIL FILLER.....61  
CAP,RADIATOR,AL,KUBOTA DF-752.....51, 53  
CAP,RADIATOR,KUBOTA D905.....51  
CAP-RADIATOR,PERKINS (103.10).....63  
CAPACITOR 24uF MH 60H.....37  
CAPACITOR, 8KW GENERATOR,5420.....11, 65  
CAPACITOR,45 MF\*\*\*OVAL.....11, 65  
CAPACITOR,50HZ MH,26MF(BALLAST).....37  
CAPACITOR-ROUND 25MF.....11, 65  
CASTING, FIXTURE QUICK CONNECT.....105  
CHAIN, SAFETY, SNAP HOOK.....21  
CLAMP 7/16 TO 25/32.....25, 27, 61  
CLAMP CABLE 5/8 1-HOL.....45  
CLAMP,CAPACITOR.....65  
CLAMP,HOSE.....11, 51, 53, 55  
CLAMP,HOSE,1.00.....11, 63  
CLAMP,HOSE,KUBOTA WG750.....55  
CLAMP,LENS (C41100720).....105  
CLEVIS PIN STAINLESS.....93, 95, 97, 99, 101  
CLEVIS PIN,4.6X60MM.....107  
CNTRL BOX 50HZ MH 7KW 240V AUS.....85  
CNTRL BOX,60HZ,AUTOSTART.....77  
CNTRL,BOX,60HZ,MH,4PTL.....69  
COIL CORD, AUS, IEC.....91

CONN,STRAIN RELIEF,1/2 NPT.....105  
CONNECTOR 12P FEMALE.....69, 73, 77, 81, 85, 89  
CONNECTOR 2 SCREW 1.25T-B.....69, 73, 77, 81, 85, 89  
CONNECTOR 2 SCREW 3/4.....69, 73, 77, 81, 85, 89  
CONNECTOR 3P FEMALE RECEPTACLE.....91  
CONNECTOR 5P MALE RECEPTACLE.....37  
CONNECTOR,7-POLE,TLITE,RND PIN.....91  
CONNECTOR,BLADE,POS,TAILT, 7P.....91  
CONNECTOR,TAIL LIGHT,6 POLE.....91  
CONNECTOR,TAILLIGHT,4 PIN.....91  
CONTACTOR 100 A DP 12VDC AUTO.....77  
CONTRL BOX 50HZ, MH, 7KW,AL,RL.....81  
CONTROL BOX 50HZ 7KW TL.....89  
CORD SET MALE 5FT. 3P.....105, 107  
CORD,RETRACT,66COIL,14/7 SOWA.....91  
COTTER PIN 1/8X1 SSBIN STOCK.....47, 93, 95, 97, 99, 101  
COTTER PIN 3/16X1.5 SS.....95  
COTTER PIN 3/32X3/4 S.....97, 99, 101  
COUPLER 2" BALL BULLDOG TMZ.....35  
COUPLER 2-5/16" BALL BULLDOG T.....35  
COUPLER,BALL,2 5/16.....35  
COUPLER,BALL,2" CLASS II.....35  
COVER,ADJ SCREW,ALXL,BRAKE.....33  
COVER,AIR CLEANER,KUBOTA.....59  
COVER,GLASS/LENS RETAINER CLIP.....107  
COVER,JUNC BOX W/GSKT, 2 GANG.....91  
CROSSARM,4 LIGHT,AL SERIES,GLV.....103

**D**  
DECAL - 4 (10/CARD BRADY).....13, 15, 17, 19  
DECAL COSMETIC MODEL AL4.....13, 15, 17, 19  
DECAL INSTRUCTION AL4 AL5.....13  
DECAL KIT, SYMBOL, AL4.....17  
DECAL KIT, WORD, AL4.....13  
DECAL, AL/RL CONTROL BOX DC.....13  
DECAL, DANGER, CSA OUTDOOR USE.....13  
Decal, Instruction, Lamp Disposal.....15  
DECAL, LABEL, ARROW.....13, 17  
Decal, Label, Ground.....13, 17  
DECAL, SYMBOL - READ THE MANUAL.....17  
DECAL, WARN, CRUSH HAZARD,MAST.....13  
DECAL, WARNING BURN HAZARD.....15  
DECAL, WARNING, CRUSH HAZARD.....13  
DECAL,BODILY INJURY SYMBOL.....19  
DECAL,BURN HAZARD SYMBOL.....17, 19  
DECAL,CONTROL BOX AC CONSOL.....13, 17  
DECAL,CONTROL BOX DC CONSOL.....13, 17  
DECAL,COSMETIC TEREX,AL4,AL4L.....13, 15, 17, 19  
DECAL,DANGER,BATTERY SAFETY\*\*\*.....13  
DECAL, DANGER, ELECTROCUTION HZD.....13, 15  
DECAL,DANGER,HAZARD VOLTAGE.....13, 15  
DECAL,DANGER,NO SMOKING.....13  
DECAL,DANGER-BURN/CO HAZARD.....15  
DECAL,DIESEL.....13, 17  
DECAL,EXPLSION/BURN HAZ SYMB.....17  
DECAL,KUBOTA ENGINE SPECS.....13



## Part Description Index (continued)

- DECAL,LABEL,BURN/CO2 HAZARD.....19  
 DECAL,LABEL,LIFTING EYE.....13, 15, 17, 19  
 DECAL,LABEL,NO SMOKING,SYMB.....17  
 DECAL,LABEL,TIE DOWN DIAGRAM.....13, 17  
 DECAL,LABEL,TRANSPORT TIEDOWN\*..13, 15, 17, 19  
 DECAL,LABEL-CRUSH HAZ,TOWER.....19  
 DECAL,LABEL-ELEC HAZ,DISTANCE.....17, 19  
 DECAL,LABEL-ELEC HAZ,SERV MAN.....17, 19  
 DECAL,PERKINS ENGINE SPECS.....13  
 DECAL,SYMBOL-BATTERY SAFETY.....17  
 DECAL,TIP HAZARD SYMBOL.....17  
 DECAL,TIRE SPECIFICATION.....13  
 DECAL,TOW SPEED SYMBOL.....17  
 DECAL,WARN,CRUSH HAZARD HAND.....15  
 DECAL,WARN,EXPLSION/BURN HAZ.....13  
 DECAL,WARN,PROTECTIVE BARRIER.....15  
 DECAL,WARN,READ MANUAL.....13  
 DECAL,WARNING BURN HAZ.....13, 15  
 DECAL,WARNING TIP-OVER HAZ.....13  
 DECAL,WARNING TOW SPEED.....13  
 DECAL,WARNING,CRUSH HZD,TOWER.....15  
 DECAL,WARNING,CRUSHING.....13, 17  
 DECAL,WARNING,CRUSHING HAZARD...17, 19  
 DECAL,WARNING,TIP-OVER,SYM.....17  
 DECAL- 1 (10/CARD BRADY.....13, 15, 17, 19  
 DECAL- 2 (10/CARD BRADY.....13, 15, 17, 19  
 DECAL- 3 (10/CARD BRADY.....13, 15, 17, 19  
 DECAL- CNTRL BOX FACE.....13  
 DECAL:240V 30 AMP RECEPTACLE.....77  
 DIODE 6AMP-50 PIV 2-WIRE.....91  
 DIODE,MARATHON.....11, 65  
 DIPSTICK TUBE,PERKINS(403C-11).....61  
 DIPSTICK,OIL,KUBOTA.....55  
 DIPSTICK,STRAIGHT SHORT.....61  
 DOOR, CABINET, AL4, BUTT HINGE.....41  
 DRIVE DISC(C-107) MARATHON.....65
- E**
- EA-WIRE HARNESS,PERKINS,DC.....91  
 ELEMENT,AIR CLEANER,KUBOTA.....11, 59  
 ELEMENT,FUEL FILTER,KUBOTA.....11, 57  
 ENG FOOT/RAD SUPPORT, ROADSIDE.....51  
 ENGINE ACCESSORY TEMP SENDER.....57  
 ENGINE FOOT/RAD SUPPORT,CURBSD...51  
 ENGINE RISER,2/75"H,FOR 1/2BLT.....51  
 ENGINE,KUBOTA,D1105 PAK.....51  
 ENGINE,KUBOTA,D1105,OLDREV,PAK.....53
- F**
- FAN.....61  
 FAN PULLEY.....61  
 FAN,PUSHER,KUBOTA 15263-12370.....55  
 FENDER W/SKIRT,STEEL.....21, 39, 41, 43  
 FIBERGLASS PAD,RECT LAMP FIXT.....107  
 FILTER, OIL-PERKINS (103-10)\*\*.....61  
 FILTER,30 MICRON FUEL-WATER.....111  
 FILTER,FUEL,KUBOTA.....57  
 FILTER,FUEL,KUBOTA,W/O BRKT.....51  
 FILTER,FUEL,PERKINS.....11, 61  
 FILTER,IN-LINE,FUEL,5/16".....11, 25, 27  
 FILTER,OIL,KUBOTA.....11, 57  
 FITTING 1/8,FITTING FOR DOWN T.....27  
 FITTING 5/16, WITH TUBE.....27  
 FITTING,TEE,MALE,1/8.....25, 27
- FIXTURE ASSEMBLY 1000W RECT.....107  
 FIXTURE HOUSING BASE,1KW RECT.....107  
 FORMING CNTRL BOX AUTO AS 8KW.....71  
 FORMING, CONTROL BOX BASE, XTRA GFI.....67  
 FORMING,PAN.FRNT,CT BOX AUTOST.....75  
 FP-BALLAST BOX BOTTOM.....37  
 FP-BALLAST BOX FRONT.....37  
 FP-BALLAST BOX REAR.....37  
 FP-BALLAST BOX TOP.....37  
 FP-BUMPER PAD,KICKOUT SPRING.....95  
 FP-CLAMP,SPARE TIRE BRACKET.....109  
 FP-CONTROL BOX BODY, AUTO.....75  
 FP-CONTROL BOX REC BACK.....79  
 FP-CONTROL BOX REC BOTTOM.....79  
 FP-CONTROL BOX REC FRONT.....79  
 FP-CONTROL BOX, FACE AUTO.....75  
 FP-CONTROL BOX,BODY 50HZ.....79  
 FP-CONTROL BOX,FRONT 50HZ.....79  
 FP-CONTROL BOX,REAR,50HZ,STD.....67, 71, 75, 83, 87  
 FP-CONTROL BOX,REAR,SHORT.....79  
 FP-CONTROL BOX,TOP.....67, 71, 75, 79, 83, 87  
 FP-ENG MNT RT FOOT CS PERK T4.....61  
 FP-ENG MNT RT FOOT RS PERK T4.....61  
 FP-FUEL TANK 20GAL W/DRAIN.....25, 27  
 FP-GEN MNT BAR,MAR SM HOLES.....65  
 FP-GEN MOUNT BAR RL PERK T4.....65  
 FP-LOCK LEVER, AL SERIES.....99  
 FP-SHIM 1/4X2X3-3/16 PLASTIC.....99  
 FP-SHIM 3/16X2X19-3/4 PLASTIC.....99  
 FP-SHIM 3/16X2X3-3/16 PLASTIC.....99  
 FP-SHIM 3/8 X 2 X 2.25 PLASTIC.....101  
 FP-SHIM 5/16X2X2-1/4 PLASTIC.....101  
 FP-SHIM 5/16X2X3-3/16 PLASTIC.....99  
 FRAME SPACER,K-1550 (7584).....47  
 FREEWHEEL KIT,SUPERWINCH.....49  
 FUEL FILTER ASSEMBLY.....61  
 FUEL INJECTOR.....61  
 FUEL TANK PAN, 30 GAL, AL4.....25, 27  
 FUEL TANK PAN,20GAL,AL4.....25, 27  
 FUEL TANK,30 GAL W DRAIN HOLE.....25, 27  
 FUEL TNK ASSY,PLAS,30G,AL4.....25, 27  
 FULTON HANDLE FOR JACK.....21  
 FUSE HOLDER,ATC BLADE,#16.....111  
 FUSE,ATC BLADE,10A.....111
- G**
- GASKET (52532) OIL DRAIN, D905.....55  
 GASKET, FUEL HEATER.....111  
 GASKET, HOUSING REFLECTOR BASE...105  
 GASKET, THERMOSTAT, PERKINS.....63  
 GASKET,EXH FLANGE-FORD/PERKINS.....63  
 GASKET,EXHAUST MANIFOLD,D905.....55  
 GASKET,FUEL FILTER.....111  
 GASKET,HOUSING BASE, TOPFRAME.....107  
 GASKET,INJECTION PUMP.....57  
 GASKET,LIGHT SOCKET.....107  
 GASKET,MUFFLER,KUBOTA D905/11.....55  
 GASKET,RECTANGULAR GLASS/LENS.....107  
 GASKET,SOLENOID,KUBOTA.....57  
 GASKET,SOLENOID,PERKINS 72350.....61  
 GASKET,STRAIN RELIEF,1/2.....105  
 GASKET,WATER COLLECTOR.....111  
 GASKET,WATER PUMP.....55  
 GASKET,WATER PUMP, 403C-11.....61  
 GASKET-DRAIN PLUG,ENG OIL PAN.....55  
 GASKET-EXHAUST MANIFOLD/PERKIN....63
- GASKET-OIL PAN,PERKINS 103.10.....61  
 GENERATOR,6.5KW,220V,50HZ,MAR.....65  
 GENERATOR,6KVA,240VAC,60HZ.....65  
 GENERATOR,8KW,240V,60HZ,MAR.....65  
 GLASS LENS.....107  
 GLASS/LENS,RECTANGULAR PSI.....107  
 GLOW PLUG, 403C-11.....61  
 GREASE CAP, AXLE, 3000LB.....33  
 GREASE,DIELECTRIC 4 OZ\*\*.....11  
 GRIP,HUBBLE 07401010.....91  
 GROMMET ASSEMBLY.....107  
 GROMMET DAPCO RUBBER SM.....27  
 GROUND ROD STORAGE TUBE 4397.....45  
 GUARD,FAN,KUBOTA.....51
- H**
- HAMMERBLOW 033008COTTER PIN.....33  
 HAMMERBLOW HANDLE FOR JACK.....21  
 HAMMERBLOW SPINDLE NUT,AXLE.....33  
 HANDLE SOCKET RATCHET.....47  
 HANDLE, ADJUSTMENT.....107  
 HANDLE,CHROME,5.75".....45  
 HARNESS,12 PIN CONNECTOR.....91  
 HARNESS,BLACK OUT LIGHTS.....91  
 HASP CABINET DOORS584AL4/5.....45  
 HEATER, TOPLOAD FUEL, 100W/12V.....111  
 HINGE, BUTT.....41, 43  
 HINGE,PIANO,1.5"W X 51.75"L.....39  
 HITCH RING,COMBO,16"LENGTH.....35  
 HITCH,2.5"RING,6 TON.....35  
 HITCH,3"RING,6TON.....35  
 HITCH,RING,BOLT-ON 2.5" ID.....35  
 HOSE FITTING PIPE/BAR.....11, 25, 57, 111  
 HOSE FITTING PIPE/BARB 1/8MX.....25, 27  
 HOSE, FUEL FILTER -INJ., 403D.....61  
 HOSE, INTAKE, KUBOTA D1105.....59  
 HOSE, WATER PUMP (PERKINS 404).....61  
 HOSE,FUEL LEAK-OFF,403D-11G.....61  
 HOSE,FUEL,1/4"ID,PUSH LOK,200#.....25, 27, 51, 53  
 HOSE,FUEL,1/8"ID.....11, 25, 27  
 HOSE,FUEL,5/16"ID.....11, 25, 27, 57  
 HOSE,OIL,3/8 0250PS1.....61  
 HOSE,RADIATOR,LOWER,KUBOTA.....11, 51, 53  
 HOSE,RADIATOR,PERKINS,TML.....11, 63  
 HOSE,RADIATOR,UPPER PRKNS,TML.....11, 63  
 HOURMETER,DIGITAL,RECTANGULAR...69, 73, 77, 81, 85, 89  
 HOUSING,FLYWHEEL,403C-11.....63  
 HUB SPACER.....65
- I**
- IDLER HUB,ALXL.....33  
 IGNITION SWITCH,LEVER OPR.....69, 73, 81, 85, 89  
 INNER BEARING.....33  
 INTAKE FILTER SIDE MANUAL AIR.....111  
 ISOLATOR, ENGINE MOUNT.....51, 53, 65  
 ISOLATOR,ENGINE,390LB.....51, 53  
 ISOLATOR,ENGINE,70D.....61
- J**
- JACK BRACKET,WELD ON SWIVEL.....21  
 JACK,MECHANICAL,3000LB.....21  
 JUMPER-GLOW PLUG.....57  
 JUNC.BOX,4MH/HPS.....91

**K**

KIT CNTRL BOX 240V AUS.....85  
 KIT CNTRL BOX 50HZ 2XTL.....89  
 KIT CNTRL BOX 50HZ ALRL4.....81  
 KIT CNTRL BOX 60HZ ALRL4.....69  
 KIT COIL CORD W JUNCTION BOX.....91  
 KIT COIL CORD WO/ JUNCTION BOX.....91  
 KIT CONTROL BOX TO COIL CORD.....69, 81, 85, 89  
 KIT, COIL CORD HW.....91  
 KIT,AXLE,U-BOLT & PLATE & NUTS.....21  
 KIT,CABLE,UPPER AL4&5/LT5/SL4.....93  
 KIT,TRAILER,SKID MT,AL4.....23  
 KIT- CABLE ASSY LOWER 1/4" AL4.....49, 93  
 KIT- WINCH - SOCKET FULTON.....47  
 KIT-WINCH SAFETY LOCK.....47  
 KIT-WINCH W/SAFETY LO.....47  
 KIT: FUEL TANK DRAIN PLUG.....25, 27  
 KIT:ALTERNATOR WIRING,KUBOTA.....91  
 KIT:BOOK BRACKET TO CAB.....45  
 KIT:CABINET BOLT-TOGETHER.....39, 41, 43  
 KIT:CABINET MOUNT FRONT AL4000.....39, 41, 43  
 KIT:CABINET MOUNT REAR AL4/5/7.....39, 41, 43  
 KIT:CABINET MOUNT SIDES.....39, 41, 43  
 KIT:FENDERS TO CAB-SIDE.....21  
 KIT:GROUND WIRE.....91  
 KIT:LOCK SLIDE PIN W/.....95  
 KIT:OIL DRAIN W/VALVE,KUBOTA.....55  
 KIT:OIL DRAIN W/VALVE,PERKINS.....61  
 KIT:TOWER,30' 6"ROUND TUBE.....97  
 KIT:TWR,30'CBL TO PIVOT POST.....95  
 KUBOTA FAN COVER.....53  
 KUBOTA 01123-50820 BOLT.....55, 57  
 KUBOTA 15111-72200 WASHER.....51, 53  
 KUBOTA 15263-12370BAND PIPE.....59  
 KUBOTA 15263-12370CUSHION.....51, 53  
 KUBOTA 16221-73270GASKET.....55  
 KUBOTA 66711-54520COV.....55  
 KUBOTA BELT COVER.....55  
 KUBOTA CUSHION.....53  
 KUBOTA DYNAMO STAY.....55  
 KUBOTA EXHAUST MANIFOLD.....55  
 KUBOTA FLANGE BOLT.....55  
 KUBOTA GLOW PLUG.....57  
 KUBOTA HEAD COVER GASKET.....55  
 KUBOTA HOSE,D905, D1105.....51, 53, 55  
 KUBOTA INJECTOR PUMP, D1105.....57  
 KUBOTA KIT, HOLDER,NOZZLE.....57  
 KUBOTA NUT.....55  
 KUBOTA O-RING.....55  
 KUBOTA OIL FILLER PLUG,V1305.....55  
 KUBOTA OVER FLOW PIPE.....57  
 KUBOTA OVERFLOW PIPE.....57  
 KUBOTA RAD ISOLATOR BOLT.....53  
 KUBOTA SNAP PIN.....51, 53  
 KUBOTA WATER PIPE.....51, 53, 55  
 KUBOTA WATER PIPE 16241-73350.....55

**L**

LABEL, CSA NEUTRAL BOND TO GND.....13  
 LABEL, ELECTRIC WINCH.....13, 17  
 LABEL, WINCH, RAISE & LOWER.....13, 17  
 LABEL,TRAVEL LOCK.....15, 19  
 LAMP BRACE, RECT HOUSING.....107  
 LAMP HPS 1000W LU1000CSA APPVD....105  
 LAMP MH 1000W BT37HOR.....107

LAMP MH 1000W M1000/U SYL.....105  
 LENS GASKET FOR LIGHT FIXTURE.....105  
 LENS W/GASKET (C41100720).....105  
 LENS,LIGHT (57449).....107  
 LIGHT FIXTURE,MH,AL4,RL4,AL5.....105  
 LIGHT INDICATOR 12VRED.....69, 73, 81, 85, 89  
 LIGHT SOCKET,PSI RECT 5 KV.....107  
 LIGHT,DOME, 12V DC.....109  
 LIGHT,LICENSE TAG W/BRACKET.....45  
 LIGHT,REAR,BLACK OUT.....45  
 LIGHT,RECESSED,TAIL/STOP/TURN.....45  
 LIGHT,SIDE MKR,AMBER,RECESSED.....45  
 LIGHT,SIDE MKR,RED,BLACK OUT.....45  
 LIGHT,SIDE MKR,RED,RECESSED.....45  
 LIGHT,SIDE MRK,YEL.,BLACK OUT.....45  
 LOCKNUT, CONDUIT 3/4CSA APPVD.....69, 73, 77, 81, 85, 89  
 LOCKNUT,CONDUIT,1/2 CSA APPVD.....105

**M**

MA-GROUND ROD LT. TWR.....45  
 MA-PIN LOCK SLIDE WITH RING.....95  
 MAGNET SPRING,ELEC BRAKE,ALXL.....33  
 MAGNET,ELEC BRAKE, ALXL.....33  
 MANIFOLD-EXHAUST,PERK (103.10).....63  
 MANUAL, OPERATOR'S, AL4.....11  
 MANUAL, PARTS, AL4.....11  
 MANUAL, SERVICE, AL4.....11  
 MANUAL,AEM SAFETY.....11  
 MANUAL,OP,MARATHON GENERATOR.....11  
 MANUAL,OPER,KUBOTA DIESEL\*\*\*\*.....11  
 MANUAL,OPERATORS,PERKINS,403D.....11  
 MARATHON SUPPRESSOR/VARISTOR.....11, 65  
 MUFFLER BRACE.....51, 53  
 MUFFLER, PERKINS, RL-4.....63  
 MUFFLER,KUBOTA.....55

**N**

NOTOR MOUNT BRACKET,KUBOTA 905....53  
 NUT.....109  
 NUT CLIP 1/4 -20X3/4.....51, 53  
 NUT HEX HEAD JAM 3/4-.....25, 27  
 NUT LOCK NYLON INSERT.....97  
 NUT,7/16,FH,ZINC,BRAKE, ALXL.....33  
 NUT,AXLE SPRING 2000NO.....21  
 NUT,EXHAUST MANIFOLD.....55  
 NUT,HEX,1-8.....35  
 NUT,HEX,JAM,1/2-13.....47  
 NUT,LOCK,3/8-16.....47  
 NUT,NYLOCK,1/2-13.....21, 23, 35, 39, 41, 43, 47, 65  
 NUT,NYLOCK,1/2-13 GR2.....25, 27, 29, 31, 51, 53, 95, 99  
 NUT,NYLOCK,1/2-20.....97  
 NUT,NYLOCK,4-40.....69, 73, 77  
 NUT,NYLOCK,5/16-18.....55  
 NUT,NYLOCK,5/8-11.....35  
 NUT,TL FLG,3/8-16,G,ZAG.....21  
 NUT,TL FLG,M8-1.25,DIN6927,10,ZAB.....41, 43  
 NUT,TL,1/4-20,C,ZAG.....21, 39, 41, 43, 45, 95, 103  
 NUT,TL,3/8-16,C,ZAG.....25, 27, 29, 31, 39, 41, 43, 99, 103, 109, 111  
 NUT,WHEEL, 1/2 X 20.....21, 33, 109  
 NUT,WING 3/8-16 ZP.....21, 23

NUTS,EXHAUST.....63  
 NUTSERT,1/4-20.....45, 67, 71, 75, 79, 83, 87  
 NUTSERT,8-32 (833543).....105

**O**

O-RING.....65  
 O-RING KIT (ORFS FITTINGS).....11  
 O-RING KIT,FIELD SVC,ALL PROD\*.....11  
 O-RING, LIFT PUMP,(PERKINS 404.....61  
 OIL FILTER - PERKINS.....11  
 OUTRIGGER 2X2X304819 GALV.....21  
 OUTRIGGER,2X2X42,GALVANIZED.....21

**P**

PAINT, AEROSOL, TRAFFIC BLACK.....11  
 PAINT,AEROSOL,BRIGHT BLUE\*\*\*.....11  
 PAINT,AEROSOL,GENIE GRAY\*\*\*.....11  
 PAINT,WET,GENIE BLUE (1 GL)\*\*.....11  
 PAINT,WET,GENIE GRAY (1 GL)\*\*.....11  
 PANEL,CABINET, CURB SIDE.....39, 41, 43  
 PANEL,CABINET, ROAD SIDE.....39, 41, 43  
 PANEL,CABINET,CRBSIDE BLKOUT.....39, 41, 43  
 PANEL,CABINET,RDSIDE BLKOUT.....39, 41, 43  
 PANEL,CNTL BOX FACE,CSA.....67, 71  
 PANEL,DOOR,CABINET,AL4.....39  
 PANEL,FRONT,CTRL BOX, 2 TL.....87  
 PARKER DIGITAL PRESSURE GAUGE.....11  
 PERKINS 135326205AIR.....11, 63  
 PIGTAIL,FUEL SOLENOID,KUBOTA.....91  
 PIN 1X9-1/4 TOWER PIVOT.....95  
 PIN QUICK 1/4X 1.75 ZP.....35, 45  
 PIN W/RING 3/4X11,HORZ LOCK.....45  
 PIN,PLUNGER,OUTRIGGER, KIT.....21, 23  
 PINION GEAR AND DISC K-1550 (7590).....47  
 PIPE FITTING STR ELBO.....25  
 PIPE PLUG 1/2 GALV.....29, 31  
 PIPE PLUG 1/4 GALV.....111  
 PIPE PLUG 1/8 CS.....25, 27  
 PIPE PLUG 3/8 GALV.....25  
 PIPE,INJECTOR 1, 403C-11.....61  
 PIPE,INJECTOR 1,D905,D1105.....57  
 PIPE,INJECTOR 2, 403C-11.....61  
 PIPE,INJECTOR 2,D905,D1105.....57  
 PIPE,INJECTOR 3, 403C-11.....61  
 PIPE,INJECTOR 3,D905,D1105.....57  
 PLATE FACE EMERGENCY.....109  
 PLATE,FACE,CNTL BOX,AUS,AL4.....83  
 PLATE,SIDE,COMBO HITCH,BOLT-ON.....35  
 PLUG AND CAP KIT-SERVICE,37 \*\*.....11  
 PLUG AND CAP KIT-SERVICE,ORFS\*.....11  
 PLUG, 4", CAPPLUG.....45  
 PLUG, ENGINE OIL, D1105.....55  
 PLUG,DRAIN,FUEL TANK.....25, 27  
 PLUG,ENGINE OIL DRAIN,D-905\*\*\*.....55  
 PLUG,OIL DRAIN,PERKINS 403D-11G.....61  
 PM KIT;WINCH,ELECTRIC.....47  
 PULLEY,CRANK, 403C-11.....61  
 PULLEY,FAN,KUBOTA, D-905,GS68.....55  
 PUMP,FUEL, 12VDC.....25, 27  
 PUMP,LIFT(FUEL) PERKINS(54555).....61  
 PUMP,PRIMER,PERKINS\*\*\*.....25, 27  
 PUMP,WATER.....61

**R**

RACE,ALXL,840377,841050.....33  
 RADIATOR BRACKET.....53

## Part Description Index (continued)

- RADIATOR HOSE,KUBOTA.....11, 51, 53  
RADIATOR, KUBOTA, D905 & D1105.....51, 53  
RADIATOR,PERKINS,TML.....63  
RATCHET ARM FULTONWI.....47  
RATCHET KIT (K-1500,K-1550)\*\*.....47  
REAR TOWER SUPPORT1-C.....45  
RECEP 30A 120/240V 4 POLE.....69, 73  
RECEP 30A 20V 3POLE.....69, 73, 77, 89  
RECEPTACLE 20A 120V DUPLEX GFI.....69, 73, 77  
Ref, GENERATOR.....59  
REFLECTOR & LENS ASSY STD FIX.....105  
REFLECTOR (C41100720).....105  
REFLECTOR BASE.....107  
REFLECTOR LAMP SIDE.....107  
REFLECTOR SIDE.....107  
REFLECTOR,SCOTCHLITE,2"X18".....15, 19  
REGULATOR,12V-PERKINS 103.10.....63  
RELAY 12V DC 30A NO OR.....69, 73, 77, 81  
RETAINER CLIP,GLASS/LENS.....107  
RETAINER,SPRING,1.21 X .375.....21  
RETAINING RING (6200).....47  
RETRACTOR SPRING,E BRK,ALXL.....33  
RING,REINFORCING (C41100720).....105  
RIVET POP 1/8X.390 GR.....105  
RIVET,POP,SS,3/16"X1/2" BLIND.....39, 45, 67, 71, 75, 79, 83, 87, 99, 101  
RODA DACO MANUAL SHUTDOWN.....111  
ROLL PIN 1/4 X1-5/8.....95
- S**
- SCREW 1/2-13NCX1-1/2H.....21, 23, 39, 41, 43, 45  
SCREW 1/4-20NCX5/8 HW.....25, 27, 37, 39, 41, 43, 45  
SCREW 3/8-16NCX1 HHC GR.....93  
SCREW 3/8-16NCX1-1/2H.....29, 31  
SCREW FLANGE 1/4 -20X.....51, 53  
SCREW FLANGE 3/8X 3/4.....45  
SCREW, PANHEAD, 10-32 X 5/8.....45, 95, 109  
SCREW,CARRIAGE,3/8-16X12,ZP.....25, 27  
SCREW,FLANGE,1/4-20X1/2" PATCH.....67, 71, 75, 79, 83, 87  
SCREW,HH SLOT,1/4 X 0.75.....37  
SCREW,HH SLOT,8-32X1.....105  
SCREW,HHC,1/2-13 X 1.25.....105  
SCREW,HHC,1/2-13 X 1.5.....105  
SCREW,HHC,1/2-13 X 10.....25, 27  
SCREW,HHC,1/2-13 X 2 GR5.....21  
SCREW,HHC,1/2-13 X 3.....99  
SCREW,HHC,1/2-13 X 3 G.....95  
SCREW,HHC,1/2-13 X 3.5 GR8.....39, 41, 43, 53, 61, 65  
SCREW,HHC,1/2-13 X 4 G.....35  
SCREW,HHC,1/2-13 X 4.5,GRD.8.....35  
SCREW,HHC,1/2-13 X 5.5,GRD.8.....35  
SCREW,HHC,1/2-13 X 6.....35  
SCREW,HHC,1/2-13 X 6 GR8 ZP.....35  
SCREW,HHC,1/2-13 X 6.5.....51  
SCREW,HHC,1/2-13NCX12,GR2.....29, 31  
SCREW,HHC,1/2-13X4,GR8.....65  
SCREW,HHC,1/2-13X7 GR5 YEL.....51  
SCREW,HHC,1/4-20 X 1.....21, 45  
SCREW,HHC,1/4-20X1,8,ZAG.....103  
SCREW,HHC,1/4-20X2.00,GR8.....95  
SCREW,HHC,3/8-16 X 1 GR 5 ZP.....95  
SCREW,HHC,3/8-16 X 1.25.....65, 111  
SCREW,HHC,3/8-16 X 1.5.....65  
SCREW,HHC,3/8-16 X 3.75.....39, 41, 43, 99
- SCREW,HHC,3/8-16 X 4.5 ZP.....103, 109  
SCREW,HHC,3/8-16 X 5 GRD 5 ZNC.....21  
SCREW,HHC,3/8-16 X 5.5 GRD 8.....47  
SCREW,HHC,3/8-16 X 6.....47  
SCREW,HHC,3/8-16 X 7/8.....93  
SCREW,HHC,5/16-18 X 0.5 IN.....95  
SCREW,HHC,5/16-18X.75,GR8,Y.....65  
SCREW,HHC,5/8-11X4.50,GR8,Y.....35  
SCREW,HHC,M10X1.25 X 35MM GR 8.....51, 53  
SCREW,HHC,M12X1.25X30MM,GR8.8.....61  
SCREW,INDENTED HEX,10-24 X .75.....107  
SCREW,M10X1.25X20.....111  
SCREW,M8 X 35MM.....55  
SCREW,PHILLIPS,PHM,4-40 X .50.....69, 77  
SCREW,PHILLIPS,PHM,8-32 X .5.....73  
SCREW,PHM,10-16 X 3/4.....67, 71, 75, 79, 83, 87  
SCREW,PHM,10-24 X 5/8.....105  
SCREW,PHM,6-32 X .25.....69, 73, 77, 81, 85, 89  
SCREW,PHM,8-32X3/8.....105  
SCREW,RH,6-32 X 5/8.....91  
SCREW,RHM,6-32X5/8.....105  
S E A L M A R K E R , C R O S S  
CHECK,BLUE,TUBE.....11  
SEAL, OIL FILLER CAP.....61  
SEAL,GREASE (SL173).....33  
SENSOR,WATER TEMPERATURE.....63  
SERIAL LABEL,BLANK,4X8,CHROME\*.....13, 17  
SERVICE KIT,PINION SHAFT-K1550.....47  
SERVICE KIT,PINION SHAFT-K2550.....47  
SHACKLE,AXLE,4-5/8" LONG.....21  
SHEAVE 3-1/8 X15/16.....97, 99, 101  
SHEAVE SPOOL 3 X2-1/2.....95  
SHOE AND LINING KIT,ALXL,ELEC.....33  
SHOE AND LINING KIT,ALXL,HYD.....33  
SHOE HOLD DOWN SPRING,ALXL.....33  
SHUTDOWN, OVERSPEED,RD.....73  
SKID,6PIPE,X120LG,TRLR MT,AL4.....23  
SLEEVE,COIL CORD,AL4,AL5.....99  
SLEEVE,WIRE,FIBERGLASS.....105  
SNAP RING,JACK (841430).....21  
SOCKET BASE-MOGUL.....105  
SOLENOID W/BACKET SUPERWINCH.....49  
SOLENOID,FUEL,3 WIRE,KUBOTA.....57  
SOLENOID,KUBOTA D9/1105 SHTDWN.....57  
SOLENOID,SHUT DOWN PERKIN40422.....61  
SPACER .5 ID 1.25ODNO. 5968.....47  
SPACER, DRUM BOLT, K-1550.....47  
SPACER,SIDE,COMBO,HTCH,BOLT-ON.....35  
SPARE TIRE MT,5 LUG WHEEL.....109  
SPIDER, MH/HPS.....105  
SPRING EYE BUSHING.....21  
SPRING, LAMP RETAINER.....107  
SPRING,COIL,1/2 X 2.25.....95  
SPRING,GAS,16",60LBS.....45  
SPRING,KICKOUT,0.262X1.75,AL'S.....95  
SPRING,LEAF FOR AXLE, 4 PLY.....21  
STARTER, PERKINS, 403D.....63  
STARTER,KUBOTA,D1105/905.....55  
STUD,EXHAUST MANIFOLD.....55  
STUDS,EXHAUST.....63  
SVC KIT, FRICTION DISC K/KX.....47  
SVC KIT,TAILLIGHTS,AL.....91  
SWITCH PUSH-BUTTON W/BOOT.....69, 73, 81, 85, 89  
SWITCH TOGGLE SPDTON-.....85
- SWITCH TOGGLE SPST.....77  
SWITCH, TOGGLE 6A DPDT ON/OFF.....77  
SWITCH,LOW OIL PRESS,KUBOTA.....55  
SWITCH,OIL PRES,PERK 403D-11G.....61
- T**
- T-HANDLE.....105  
TAILPIPE,8K EXHAUST.....55  
TANK FUEL 20GAL RMPE1.....29, 31  
TANK,RECOVERY,COOLANT,KUBOTA.....51, 53  
TERMINAL BLOCK.....65  
TERMINAL BLOCK,MARATHON GENERATOR(85206).....65  
TERMINAL STRIP,CE.....105  
THERMOSTAT.....55  
THERMOSTAT COVER.....55  
THERMOSTAT,PERKINS 403D-11G.....63  
TONGUE B-O-H W/JACKBR.....21  
TOP FRAME,HOUSING BASE.....107  
TOP, CABINET, AL4 BUTT HINGE.....41, 43  
TOWER BASE ASSY W/DEC,ALXL,SYM.....95  
TOWER BASE ASSY W/DEC,ALXL,WRD.....95  
TRAILER FRAME 41X70W.....21  
TRAILER FRAME 41X70W/.....21  
TRANSFORMER 120/24VAC.....73
- V**
- V-BELT,KUBOTA.....11, 55  
VALVE COVER BREATHER.....61  
VALVE COVER, D905.....55  
VALVE, OIL DRAIN, PERKINS.....61  
VALVE,AIR CLEANER,KUBOTA.....59  
VALVE,PLASTIC DRAIN.....111  
VIBRATION MOUNT,35".....51
- W**
- WASHER FLAT #10 STAINLESS.....45  
WASHER FLAT 1/2ZP.....25, 27, 29, 31, 51, 53, 65, 99  
WASHER FLAT 1/45/8 SBIN.....45  
WASHER FLAT 1/4ZPLENSETBIN.....39, 41, 43  
WASHER FLAT 1S/S 18-8BIN.....95  
WASHER FLAT 3/8 ZP SAE BIN.....25, 27, 29, 31, 65, 111  
WASHER FLAT 3/8USS ZPBIN.....39, 41, 43, 95, 103, 109  
WASHER FLAT BONDED3/1.....109  
WASHER FLAT C816L S/S.....47  
WASHER FLAT FENDER1/2.....53  
WASHER LOCK 1/2ZP.....35, 39, 41, 43, 45, 51, 61, 65, 105, 107  
WASHER LOCK 3/8ZP.....65, 93, 95, 111  
WASHER LOCK 5/16 ZP BIN.....65  
WASHER LOCK STAR 1/2E.....105, 107  
WASHER LOCK STAR 3/8.....21, 23  
WASHER RECTANGULAR1/4.....39, 41, 43  
WASHER RUBBER BUNA-N.....25, 27  
WASHER,CLAMP,RUBBER(833543).....105  
WASHER,FLAT BOUNDED,3/16X1/2.....45  
WASHER,FLAT,375 X 1.5 X .125.....93  
WASHER,FLAT,1.000,HARDENED.....35  
WASHER,FLAT,1/2 SS 18-8 BIN.....39, 41, 43, 45  
WASHER,FLAT,3/4 ZP.....25, 27  
WASHER,FLAT,SAE 1/4,ZINC.....21, 39, 41, 43, 45

WASHER,FLAT,SNUB 1/2X2-3/4 ZN.....51, 61,  
 65  
 WASHER,FLAT,USS,1/2",Y.....21, 23, 35, 39,  
 41, 43  
 WASHER,FLAT,USS,1/4"Y.....103  
 WASHER,FLAT,USS,3/8",Y.....21  
 WASHER,FLAT,USS,5/16",Y.....41, 43  
 WASHER,FLAT,USS,5/8",Y.....35  
 WASHER,LOCK,#6 SS.....69, 73, 77, 81, 85,  
 89  
 WASHER,LOCK,M10 ZP.....51, 53, 111  
 WASHER,LOCK,STAR 3/4 E.....103  
 WASHER,PLAIN,1".....33  
 WASHER,RUBBER SEAL.....111  
 WATER COLLECTOR AY.....111  
 WATER OUTLET, VERTICAL.....63  
 WATER PUMP ASSY,KUBOTA.....55  
 WELDMENT, DOOR, LOUVRED, CS, AL4...43  
 WELDMENT, DOOR, LOUVRED, RS, AL4...43  
 WHEEL CYLINDER, LH, ALXL.....33  
 WHEEL CYLINDER, RH, ALXL.....33  
 WHEEL/TIRE ASSY,15",205/75 LRC.....21  
 WINCH BRACKET, DRUM BOLT LOCK  
 (31946).....47  
 WINCH HANDLE TO WINCH(1500LB).....47  
 WINCH W/SOLENOIDS 4000LB.....49  
 WING NUT, FIXTURE,RL4,AL4,AL5.....103  
 WIRE HARN,DC,IN CTRL BOX,2006.....91  
 WIRE HARN,ENG,KUBOTA,DC,2006.....91  
 WTHRSRIP, 1/4" X 1/2"W.....21, 39, 41, 43

**Y**

YOKE,PSI RECT.LIGHT FIXTURE.....107

**Z**

ZERK,GREASE,1/8 NPT.....97

**—**

— GENERAL SERVICE PARTS —.....11  
 — GENERATOR, MARATHON MODELS  
 —.....11  
 — KUBOTA MODELS —.....11  
 — MANUALS —.....11  
 — PERKINS MODELS —.....11

California Proposition 65



Operating, servicing and maintaining this equipment can expose you to chemicals including engine exhaust, carbon monoxide, phthalates, and lead, which are known to the State of California to cause cancer and birth defects or other reproductive harm. These chemicals can be emitted from or contained in other various parts and systems, fluids and some component wear by-products. To minimize exposure, avoid breathing exhaust, do not idle the engine except as necessary, service your equipment and vehicle in a well-ventilated area and wear gloves or wash your hands frequently when servicing your equipment or vehicle and after operation. For more information go to [www.P65Warnings.ca.gov/passenger-vehicle](http://www.P65Warnings.ca.gov/passenger-vehicle).

Breathing diesel engine exhaust exposes you to chemicals known to the State of California to cause cancer and birth defects or other reproductive harm.

- Always start and operate the engine in a well-ventilated area.
- If in an enclosed area, vent the exhaust to the outside.
- Do not modify or tamper with the exhaust system.
- Do not idle the engine except as necessary.

For more information go to [www.P65warnings.ca.gov/diesel](http://www.P65warnings.ca.gov/diesel).

Distributed By:

order your parts

# PARTS FINDER

**Search Website  
by Part Number**



**Search Manual  
Library For Parts  
Manual & Lookup Part  
Numbers – Purchase  
or Request Quote**

**Search Manuals**

Enter your information to help us find the right parts manual for your machine.

\* Brand:

\* Model:

\* Serial:

\* Part Number:

SEARCH

**Can't Find Part or  
Manual? Request Help  
by Manufacturer,  
Model & Description**

**Parts Order Form**

Please fill in the following information to help us find the right part for your machine.

Manufacturer:	<input type="text"/>
Model:	<input type="text"/>
Description:	<input type="text"/>
Part Number:	<input type="text"/>
Quantity:	<input type="text"/>
Notes:	<input type="text"/>

Submit

Discount-Equipment.com is your online resource for quality parts & equipment.

Florida: **561-964-4949** Outside Florida TOLL FREE: **877-690-3101**

**Need parts?**

Click on this link: <http://www.discount-equipment.com/category/5443-parts/> and choose one of the options to help get the right parts and equipment you are looking for. Please have the machine model and serial number available in order to help us get you the correct parts. If you don't find the part on the website or on one of the online manuals, please fill out the request form and one of our experienced staff members will get back to you with a quote for the right part that your machine needs.

We sell worldwide for the brands: Genie, Terex, JLG, MultiQuip, Mikasa, Essick, Whiteman, Mayco, Toro Stone, Diamond Products, Generac Magnum, Airman, Haulotte, Barreto, Power Blanket, Nifty Lift, Atlas Copco, Chicago Pneumatic, Allmand, Miller Curber, Skyjack, Lull, Skytrak, Tsurumi, Husquvarna Target, Stow, Wacker, Sakai, Mi-T-M, Sullair, Basic, Dynapac, MBW, Weber, Bartell, Bennar Newman, Haulotte, Ditch Runner, Menegotti, Morrison, Contec, Buddy, Crown, Edco, Wyco, Bomag, Laymor, EZ Trench, Bil-Jax, F.S. Curtis, Gehl Pavers, Heli, Honda, ICS/PowerGrit, IHI, Partner, Imer, Clipper, MMD, Koshin, Rice, CH&E, General Equipment, Amida, Coleman, NAC, Gradall, Square Shooter, Kent, Stanley, Tamco, Toku, Hatz, Kohler, Robin, Wisconsin, Northrock, Oztec, Toker TK, Rol-Air, APT, Wylie, Ingersoll Rand / Doosan, Innovatech, Con X, Ammann, Mecalac, Makinex, Smith Surface Prep, Small Line, Wanco, Yanmar