

PARTS MANUAL



MODEL

DA7000SSA2

DA7000SSA2GH

PORTABLE GENERATORS

(KUBOTA Z482-E4B-DGDE-2 DIESEL ENGINE)

Revision #1 (02/10/17)



THIS MANUAL MUST ACCOMPANY THE EQUIPMENT AT ALL TIMES.

PARTS FINDER

**Search Website
by Part Number**



**Search Manual
Library For Parts
Manual & Lookup Part
Numbers – Purchase
or Request Quote**

Search Manuals

Enter your information to help us find the right parts manual for your machine.

* Brand:

* Model:

* Serial:

* Part Number:

SEARCH

**Can't Find Part or
Manual? Request Help
by Manufacturer,
Model & Description**

Parts Order Form

Please fill in the following information to help us find the right part for your machine.

Manufacturer:	<input type="text"/>
Model:	<input type="text"/>
Description:	<input type="text"/>
Part Number:	<input type="text"/>
Quantity:	<input type="text"/>
Notes:	<input type="text"/>

Discount-Equipment.com is your online resource for quality parts & equipment.

Florida: **561-964-4949** Outside Florida TOLL FREE: **877-690-3101**

Need parts?

Click on this link: <http://www.discount-equipment.com/category/5443-parts/> and choose one of the options to help get the right parts and equipment you are looking for. Please have the machine model and serial number available in order to help us get you the correct parts. If you don't find the part on the website or on one of the online manuals, please fill out the request form and one of our experienced staff members will get back to you with a quote for the right part that your machine needs.

We sell worldwide for the brands: Genie, Terex, JLG, MultiQuip, Mikasa, Essick, Whiteman, Mayco, Toro Stone, Diamond Products, Generac Magnum, Airman, Haulotte, Barreto, Power Blanket, Nifty Lift, Atlas Copco, Chicago Pneumatic, Allmand, Miller Curber, Skyjack, Lull, Skytrak, Tsurumi, Husquvarna Target, Stow, Wacker, Sakai, Mi-T-M, Sullair, Basic, Dynapac, MBW, Weber, Bartell, Bennar Newman, Haulotte, Ditch Runner, Menegotti, Morrison, Contec, Buddy, Crown, Edco, Wyco, Bomag, Laymor, EZ Trench, Bil-Jax, F.S. Curtis, Gehl Pavers, Heli, Honda, ICS/PowerGrit, IHI, Partner, Imer, Clipper, MMD, Koshin, Rice, CH&E, General Equipment, Amida, Coleman, NAC, Gradall, Square Shooter, Kent, Stanley, Tamco, Toku, Hatz, Kohler, Robin, Wisconsin, Northrock, Oztec, Toker TK, Rol-Air, APT, Wylie, Ingersoll Rand / Doosan, Innovatech, Con X, Ammann, Mecalac, Makinex, Smith Surface Prep, Small Line, Wanco, Yanmar

TABLE OF CONTENTS

DA7000SSA2/SSA2GH

Generator

Parts Ordering Procedures.....	3
Explanation Of Code In Remarks Column.....	4
Suggested Spare Parts	5

Components

Nameplate And Decals Assembly	6-7
Generator Assembly	8-9
Control Panel Assembly	10
Control Panel Assembly	11
Electric Parts Assembly.....	12-13
Engine And Radiator Assembly.....	14-15
Oil Filter Retrofit Assembly (DA7000SSA2GH)	16-17
Battery Assembly.....	18-19
Muffler Assembly	20-21
Fuel Tank Assembly.....	22-23
Enclosure Assembly	24-27
Rubber Seals Assembly	28-29

KUBOTA Z482-E4B Engine

Crankcase Assembly	30-31
Oil Pump Assembly	32-33
Oil Pan Assembly	34-35
Cylinder Head Assembly	36-37
Gear Case Assembly	38-39
Head Cover Assembly	40-41
Dipstick And Guide Assembly	42-43
Main Bearing Case Assembly	44-45
Camshaft And Idle Gear Assembly	46-47
Piston And Crankshaft Assembly	48-49
Flywheel Assembly	50-51
Fuel Camshaft And Gov. Shaft Assembly	52-53
Idle Apparatus Assembly	54-55
Stop Solenoid Assembly	56-57
Injection Pump Assembly	58-59
Speed Control Plate Assembly.....	60-61
Nozzle Holder And Glow Plug Assembly	62-63
Nozzle Holder Comp. Assembly	64-67
Fork Lever Gov. Assembly	68-71
Dynamo And Pulley Assembly	72-73
Dynamo Components Assembly	74-75
Starter Assembly	76-77
Starter Components Assembly	78-79

Oil Switch Plug Assembly	80-81
Water Flange And Thermostat Assembly	82-83
Water Pump Assembly	84-85
Water Pipe Assembly	86-87
Fan Assembly	88-89
Valve And Rocker Arm Assembly	90-91
Inlet Manifold Assembly	92-93
Exhaust Manifold Assembly	94-95
Glow Lamp And Timer Assembly	96-97
Accessories And Serv. Assembly	98-99
Label And Ops Manual Assembly	100-101
Terms And Conditions Of Sale — Parts	102

NOTICE

Specifications and part numbers are subject to change without notice.

EXPLANATION OF CODE IN REMARKS COLUMN

The following section explains the different symbols and remarks used in the Parts section of this manual. Use the help numbers found on the back page of the manual if there are any questions.

NOTICE

The contents and part numbers listed in the parts section are subject to change **without notice**. Multiquip does not guarantee the availability of the parts listed.

SAMPLE PARTS LIST

NO.	PART NO.	PART NAME	QTY.	REMARKS
1	12345	BOLT	1	INCLUDES ITEMS W/%
2%		WASHER, 1/4 IN.		NOT SOLD SEPARATELY
2%	12347	WASHER, 3/8 IN. ...	1	MQ-45T ONLY
3	12348	HOSE	A/R	MAKE LOCALLY
4	12349	BEARING	1	S/N 2345B AND ABOVE

NO. Column

Unique Symbols — All items with same unique symbol (@, #, +, %, or >) in the number column belong to the same assembly or kit, which is indicated by a note in the “Remarks” column.

Duplicate Item Numbers — Duplicate numbers indicate multiple part numbers, which are in effect for the same general item, such as different size saw blade guards in use or a part that has been updated on newer versions of the same machine.

NOTICE

When ordering a part that has more than one item number listed, check the remarks column for help in determining the proper part to order.

PART NO. Column

Numbers Used — Part numbers can be indicated by a number, a blank entry, or TBD.

TBD (To Be Determined) is generally used to show a part that has not been assigned a formal part number at the time of publication.

A blank entry generally indicates that the item is not sold separately or is not sold by Multiquip. Other entries will be clarified in the “Remarks” Column.

QTY. Column

Numbers Used — Item quantity can be indicated by a number, a blank entry, or A/R.

A/R (As Required) is generally used for hoses or other parts that are sold in bulk and cut to length.

A blank entry generally indicates that the item is not sold separately. Other entries will be clarified in the “Remarks” Column.

REMARKS Column

Some of the most common notes found in the “Remarks” Column are listed below. Other additional notes needed to describe the item can also be shown.

Assembly/Kit — All items on the parts list with the same unique symbol will be included when this item is purchased.

Indicated by:

“INCLUDES ITEMS W/(unique symbol)”

Serial Number Break — Used to list an effective serial number range where a particular part is used.

Indicated by:

“S/N XXXXX AND BELOW”

“S/N XXXX AND ABOVE”

“S/N XXXX TO S/N XXX”

Specific Model Number Use — Indicates that the part is used only with the specific model number or model number variant listed. It can also be used to show a part is NOT used on a specific model or model number variant.

Indicated by:

“XXXXX ONLY”

“NOT USED ON XXXX”

“Make/Obtain Locally” — Indicates that the part can be purchased at any hardware shop or made out of available items. Examples include battery cables, shims, and certain washers and nuts.

“Not Sold Separately” — Indicates that an item cannot be purchased as a separate item and is either part of an assembly/kit that can be purchased, or is not available for sale through Multiquip.

SUGGESTED SPARE PARTS

DA7000SSA2/SSA2GH GENERATOR

1 to 3 units

Qty.	P/N	Description
5	0810105900	FUEL STRAINER (TANK)
1	A9924800024	FUEL CAP ASSY
1	1628663602	STARTER SWITCH
5	3741055150	IGNITION KEY
1	A6311500004	RADIATOR HOSE (UPPER)
1	A6311500103	RADIATOR HOSE (LOWER)
1	0601842463	RESISTOR
1	1584464603	REGULATOR
1	0601806423	CIRCUIT BREAKER, 1P 20A
1	0601806424	CIRCUIT BREAKER, 1P 30A
3	0601810830	BULB, INDICATOR
4	0601806642	FUSE, 5 AMP
2	0601806643	FUSE, 15 AMP
2	0601806644	FUSE, 30 AMP
1	0601806640	FUSE, 65 AMP

NOTICE

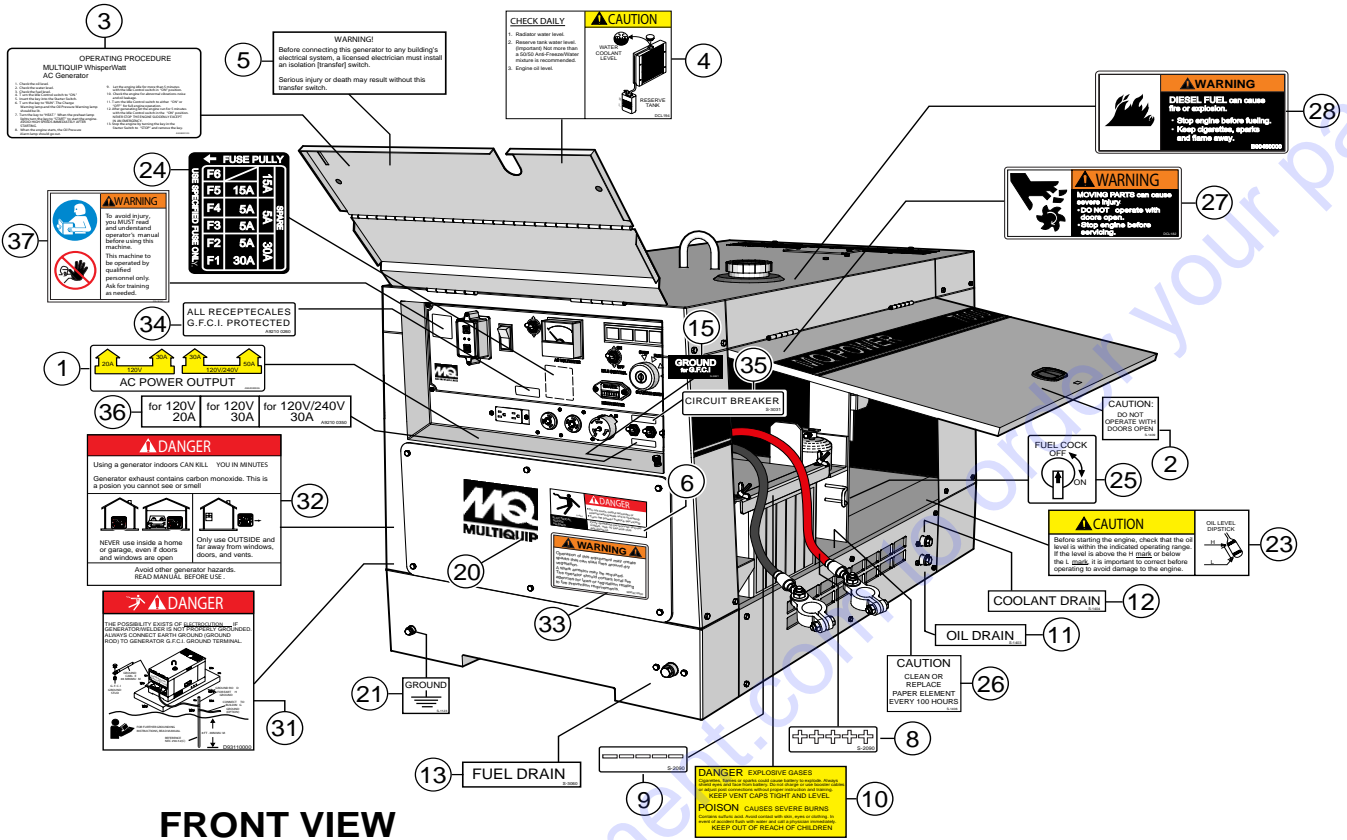
Part numbers on this Suggested Spare Parts list may supersede/replace the part numbers shown in the following parts lists.

KUBOTA Z482-E4B-DGDE-2 DIESEL ENGINE

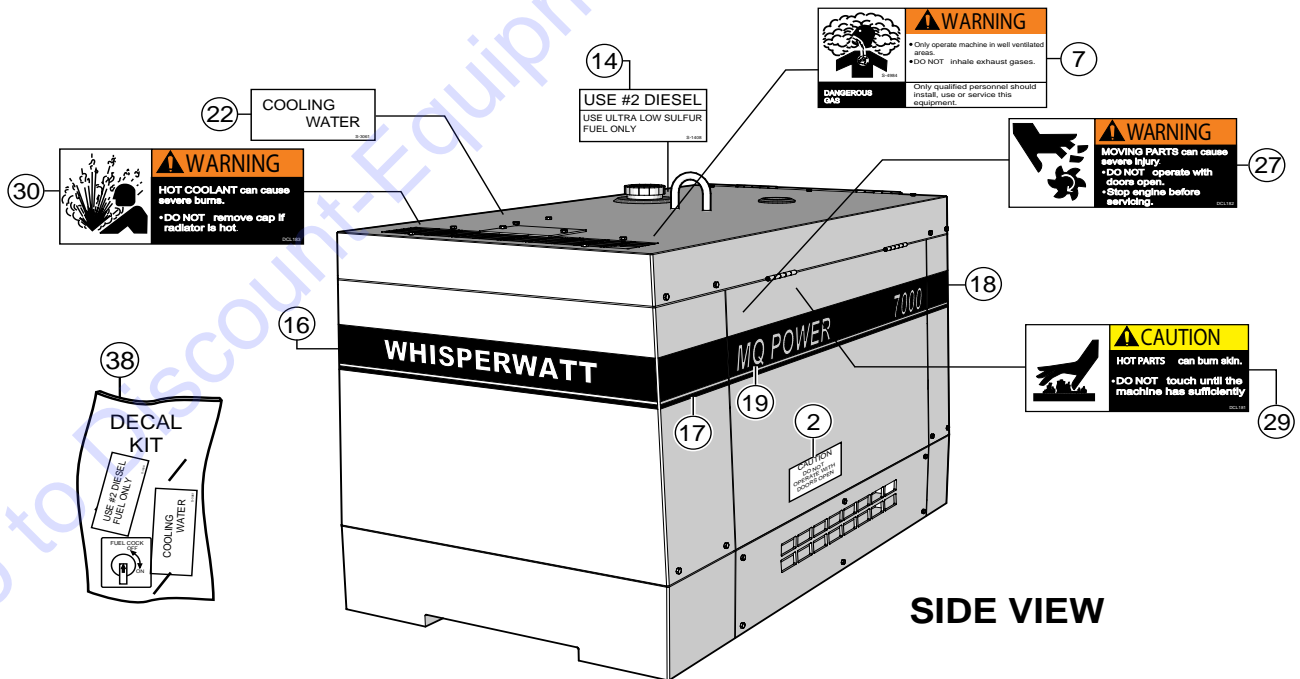
1 to 3 units

Qty.	P/N	Description
5	7000011221	ELEMENT, AIR FILTER
5	1T02143560	ELEMENT, FUEL FILTER
5	HH15032430	OIL FILTER CARTRIDGE
2	1980572530	FAN BELT
1	1522139013	SWITCH, OIL
4	1G67965512	GLOW PLUG
2	1753883040	SWITCH, THERMOSTAT

NAMEPLATE AND DECALS ASSY.



FRONT VIEW

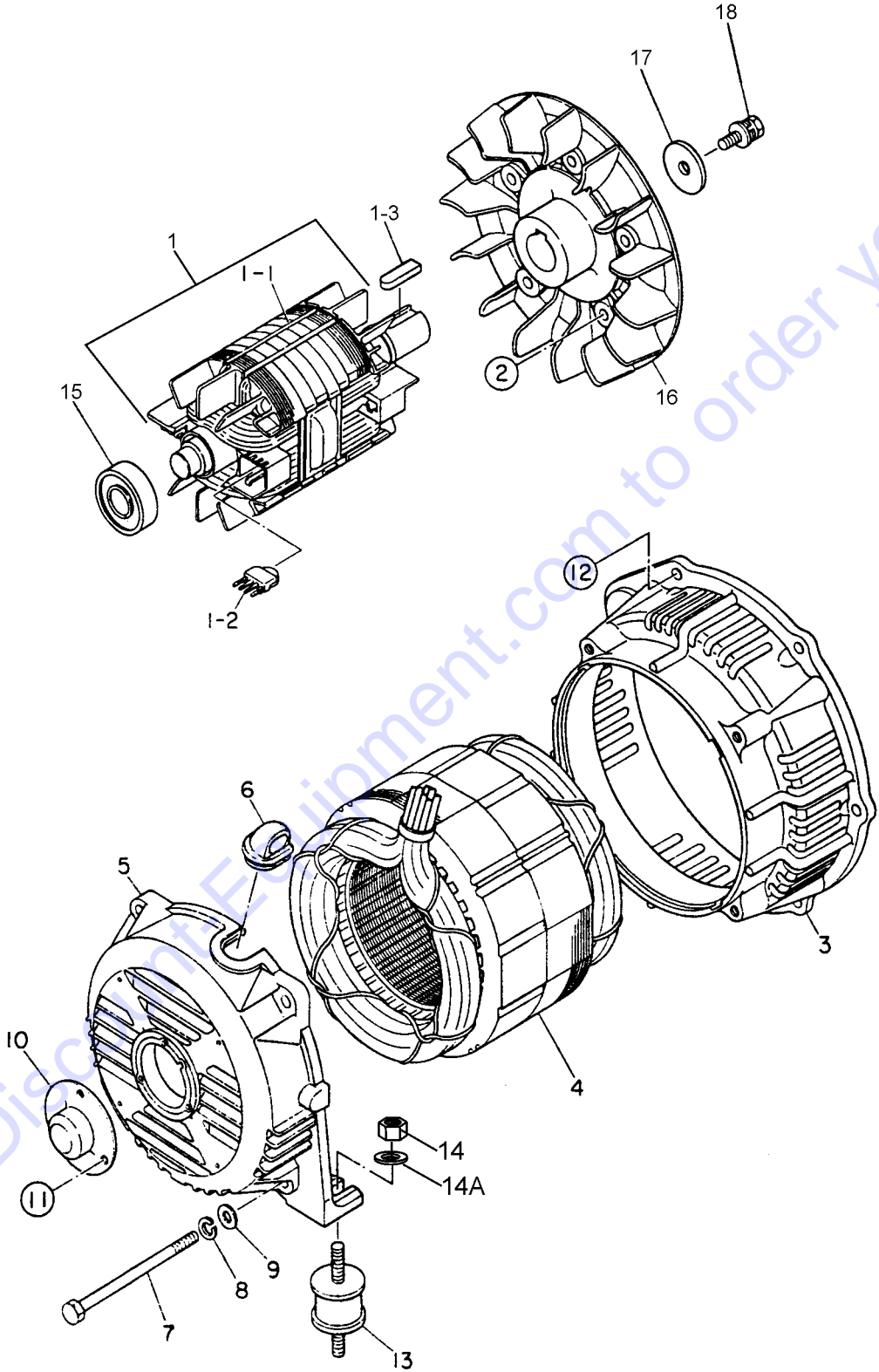


SIDE VIEW

NAMEPLATE AND DECALS ASSY.

NO.	PART NO.	PART NAME	QTY.	REMARKS
1\$	A5551000803	DECAL: AC POWER OUTPUT	1.....	A55100080
2\$	1630610504	DECAL: CAUTION	2.....	S1409
3\$	A5552000113	DECAL: OPERATING PROCEDURE	1.....	A55200011
4\$	6390671104	DECAL: IMPORTANT "CHECK DAILY".....	1.....	S2377
5\$	0820610404	DECAL: WARNING	1.....	S3627
6\$	8700611904	DECAL: DANGER ELECT. SHOCK HAZ.....	1.....	S4985
7\$	8700611804	DECAL: WARNING DANGEROUS GAS	1.....	S4984
8\$	0800689404	DECAL: +	1.....	S2090
9\$	0800689504	DECAL: -	1.....	S2091
10\$	0820650604	DECAL: DANGER EXPLOSIVE GASES	1	
11\$	1630645004	DECAL: OIL DRAIN	1.....	S1403
12\$	1630647004	DECAL: COOLANT DRAIN.....	1.....	S1404
13\$	7810680104	DECAL: FUEL DRAIN.....	1.....	S3060
14\$	B9504501214	DECAL: DIESEL FUEL	1.....	B90450121
15\$	7670624004	DECAL: GROUND FOR G. F. C. I.	1.....	S3821
16\$	A5561100103	DECAL: STRIPE WHISPERWATT	1	
17\$	A5561100204	DECAL: STRIPE	2	
18\$	A5561100304	DECAL: STRIPE	2	
19\$	A5561100403	DECAL: STRIPE MQ POWER 7000	2	
20\$	A5562000004	DECAL: MQ	1.....	A56200000A
21\$	0800628504	DECAL: GROUND	1.....	S1123
22\$	7810680204	DECAL: COOLING WATER	1.....	S3061
23\$	B9505000304	DECAL: CAUTION OIL LEVEL GAUGE	1.....	B90500030
24\$	8700625504	DECAL: FUSE BOX	1.....	S4936
25\$	1630680104	DECAL: FUEL COCK.....	1.....	S1407
26\$	1630610404	DECAL: CAUTION	1.....	S1406
27\$	B9504000404	DECAL: WARNING MOVING PARTS	2.....	B90400040
28\$	B9504500004	DECAL: WARNING DIESEL FUEL	1.....	B90450000
29\$	B9504000304	DECAL: CAUTION HOT PARTS	1.....	B90400030
30\$	B9504100104	DECAL: WARNING HOT COOLANT	1.....	B90410010
31\$	D9531100004	DECAL: DANGER ELECTROCUTION	1.....	D93110000
32\$	A9504000014	DECAL: DANGER.....	1.....	A90400001
33\$	920214100	DECAL: WARNING START FIRES	1.....	REPLACES P/N M9504200004
34\$	A9521002604	DECAL: G. F. C. I. PROTECTED	1.....	A92100260
35\$	0840624504	DECAL: CIRCUIT BREAKER	1.....	S3031
36\$	A9521003504	DECAL: CIRCUIT BREAKER	2.....	A92100350
37\$	35137	DECAL: READ MANUAL	1.....	REPLACES P/N A9511100004
38	SDA7000SSA2	KIT, DECAL.....	1.....	INCLUDES ITEMS W/\$

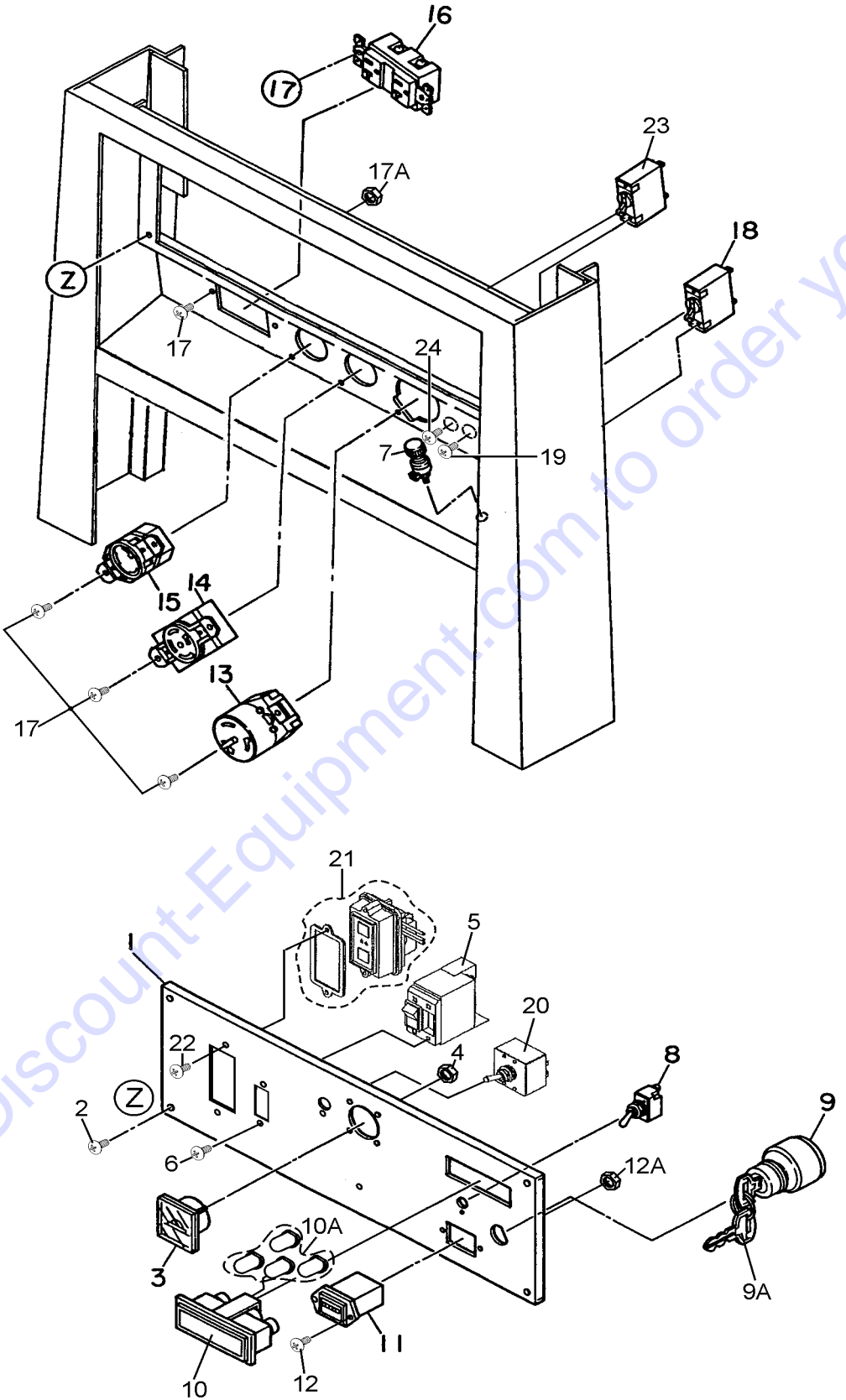
GENERATOR ASSY.



GENERATOR ASSY.

<u>NO.</u>	<u>PART NO.</u>	<u>PART NAME</u>	<u>QTY.</u>	<u>REMARKS</u>
1	A5110200003	ROTOR ASSY.....	1.....	INCLUDES ITEMS W/#
1-1#	A5116000103	FIELD ASSY.	1	
1-2#	7871025004	RECTIFIER ASSY.	2	
1-3#	0171707033	KEY	1	
2	011208025	HEX HEAD BOLT.....	5.....	REPLACES P/N 0012308025
3	A515510002	END BRACKET	1	
4	A5136000103	ARMATURE ASSY.	1	
5	A6155000002C	END BRACKET	1.....	REPLACES P/N A6155000002
6	7871329514	GROMMET	1	
7	7901316004	SET BOLT	4	
8	0040008000	WASHER, LOCK	4	
9	0401450080	WASHER, FLAT	4.....	REPLACES P/N 0041208000
10	A6155400104C	COVER	1.....	REPLACES P/N A6155400104
11	BF0261	MACHINE SCREW	3.....	REPLACES P/N 0027105012
12	0012308020	HEX HEAD BOLT	6	
13	0805084704	RUBBER SUSPENSION	2	
14	Y0207008000	HEX NUT	2	
14A	0801086004	WASHER, FLAT	2	
15	042006304	BEARING.....	1.....	REPLACES P/N 0071206304
16	A5113100002	FAN	1	
17	1991072004	SET WASHER, FAN	1	
18	0012308020	HEX HEAD BOLT	1	

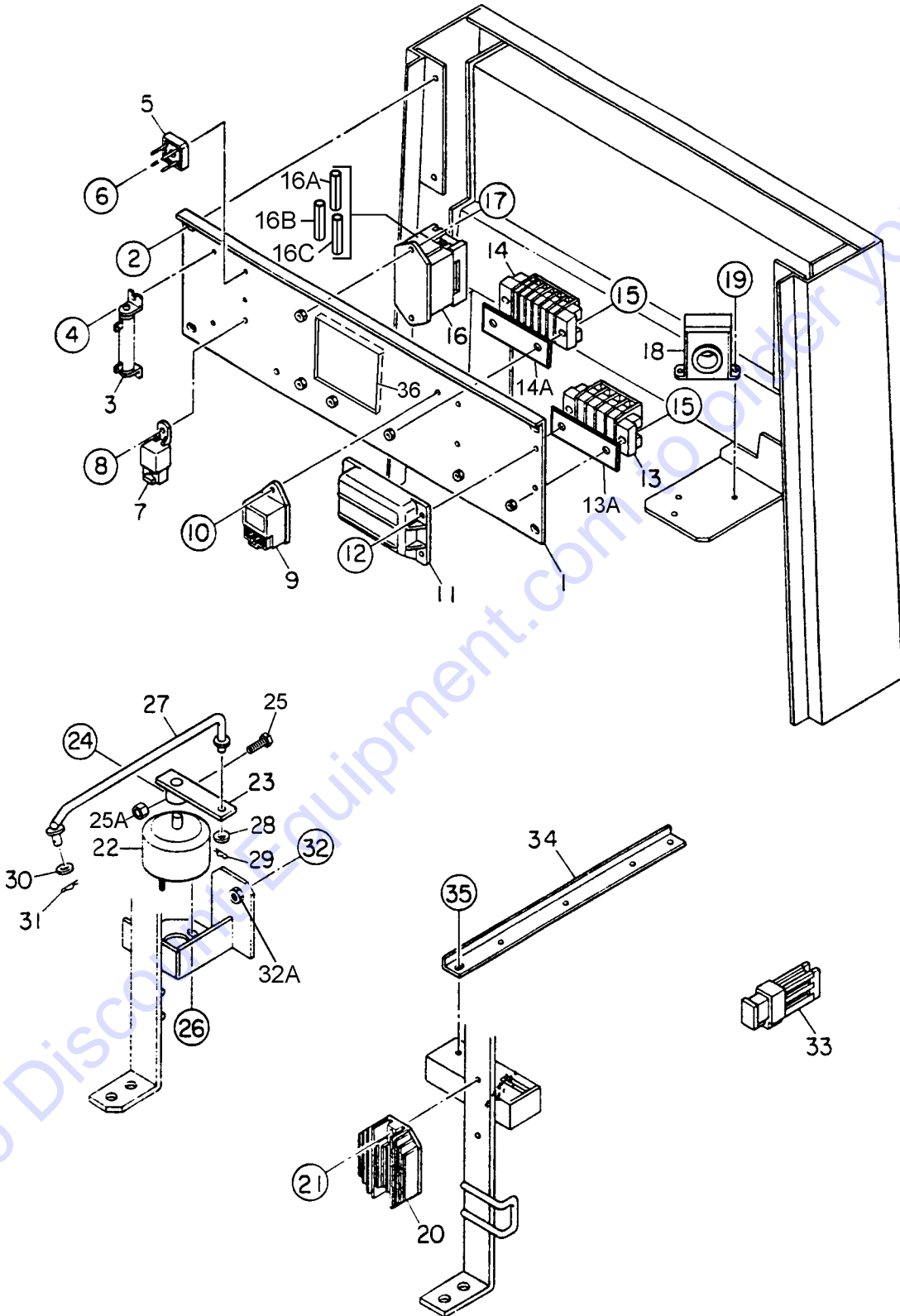
CONTROL PANEL ASSY.



CONTROL PANEL ASSY.

<u>NO.</u>	<u>PART NO.</u>	<u>PART NAME</u>	<u>QTY.</u>	<u>REMARKS</u>
1	A5511306102	CONTROL PANEL	1	
2	0021805020	MACHINE SCREW	4	
3	0601806819	AC VOLTMETER, 0-120/240V	1	
4	0207003000	HEX NUT	2	
5	Y0601872303	CIRCUIT BREAKER, 120V @25A 2P	1	
6	0021004016	MACHINE SCREW	2	
7	0601815109	GROUND TERMINAL	1	
8	0601830771	IDLE CONTROL SWITCH	1	
9	1628663602	STARTER SWITCH	1	REPLACES P/N 0602100077
9A	3741055150	IGNITION, KEY	1	
10	0601810523	INDICATOR ASSY.	1	
10A	0601810830	BULB	4	
11	0601800682	HOUR METER	1	
12	0027403512	MACHINE SCREW	2	
12A	0030003500	HEX NUT	2	
13	Y0601814014	RECEPTACLE, CS6369	1	
14	0601812529	RECEPTACLE, L14-30R 125V 30A	1	
15	0601811031	RECEPTACLE, L5-30R 125V 30A	1	REPLACES P/N 0601811035
16	0601814065	RECEPTACLE, 5-20R	1	
17	0021004010	MACHINE SCREW	8	
17A	OEMAA8	HEX NUT	8	REPLACES P/N 0030004000
18	0601806424	CIRCUIT BREAKER, 1P 30A	1	
19	0027103006	MACHINE SCREW	2	
20	Y0601830776	FULL POWER SWITCH	1	
21	0601829301	EARTH LEAKAGE RELAY, 120A@120V	1	
22	0021004020	MACHINE SCREW	2	
23	0601806423	CIRCUIT BREAKER, 1P 20A	1	
24	0027103006	MACHINE SCREW	2	

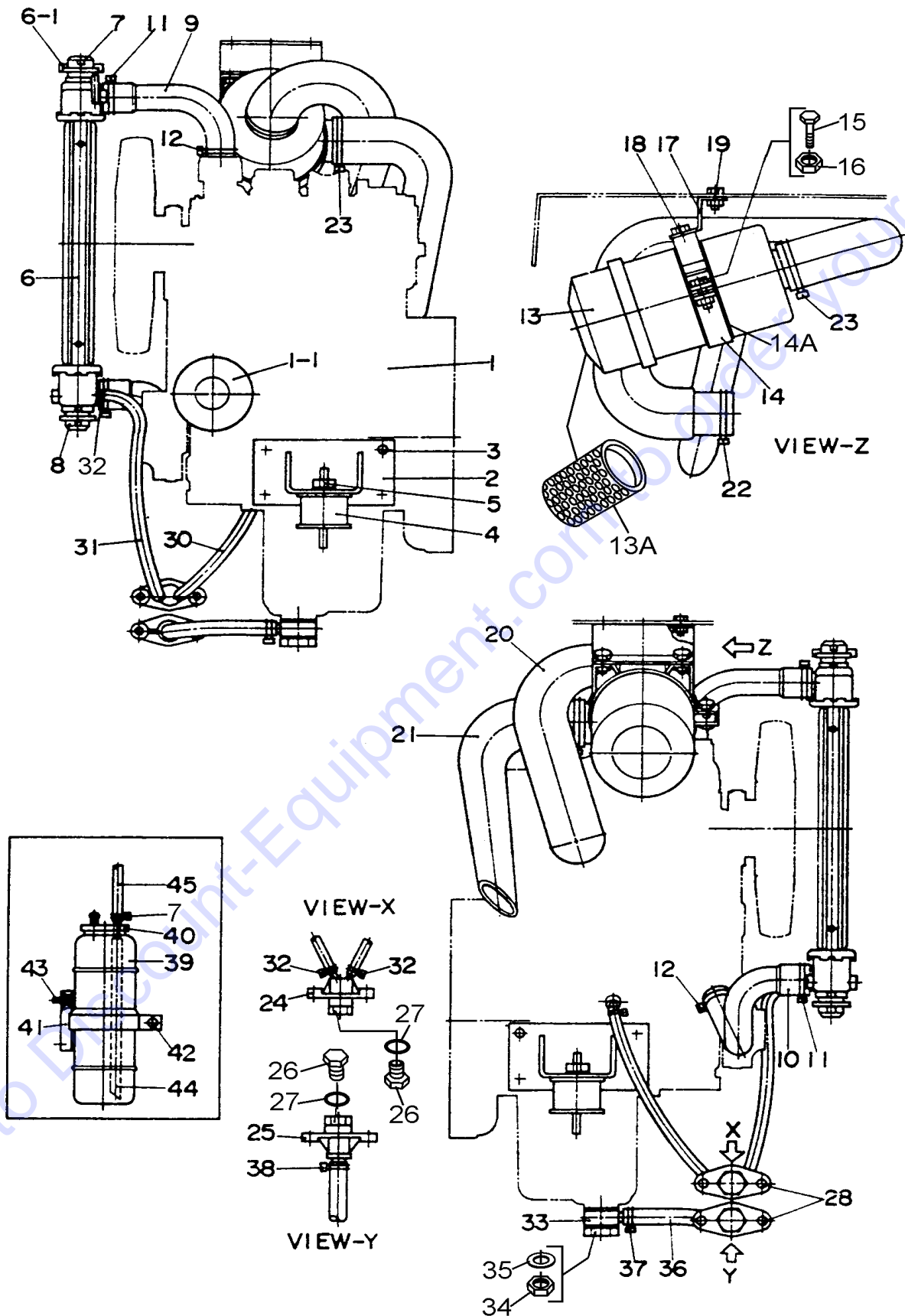
ELECTRIC PARTS ASSY.



ELECTRIC PARTS ASSY.

<u>NO.</u>	<u>PART NO.</u>	<u>PART NAME</u>	<u>QTY.</u>	<u>REMARKS</u>
1	A5261501403	BRACKET, ELECTRIC PARTS	1	
2	0016906016	HEX HEAD BOLT	4	
3	0601842463	RESISTOR, 30W 10 OHM	1	
4	0027104012	MACHINE SCREW	2	
5	0601823204	RECTIFIER, S5VB60	2	
6	0027103020	MACHINE SCREW	2	
7	0601823754	RELAY	1	
8	0027105016	MACHINE SCREW	1	
9	1569465990	LAMP TIMER	1	REPLACES P/N 0602201273
10	0017105016	HEX HEAD BOLT	1	
11	1747260604	EMERGENCY UNIT	1	REPLACES P/N 0602200475
12	0017105025	HEX HEAD BOLT	4	
13	0601815731	TERMINAL BOARD	1	
13A	A9521003604	SEAL	1	
14	0601815759	TERMINAL BOARD	1	
14A	D9522000704	SEAL	1	
15	0027105020	MACHINE SCREW	4	
16	B0352500104	FUSE BOX	1	
16A	0601806642	FUSE, 5A	4	
16B	0601806643	FUSE, 15A	2	
16C	0601806644	FUSE, 30A	2	
17	0027105020	MACHINE SCREW	2	
18	0601827350	CONTROL UNIT	1	
19	0027104010	MACHINE SCREW	2	
20	1584464603	REGULATOR	1	REPLACES P/N 1584464600
21	0017105025	HEX HEAD BOLT	2	
22	1622636103Z	ROTARY SOLENOID	1	REPLACES P/N 1620150404
23	1992636004	ARM, SOLENOID	1	
24	0050403020	SPRING PIN	1	
25	011606025	HEX HEAD BOLT	1	REPLACES P/N 0010106025
25A	020106050	HEX NUT	1	REPLACES P/N 0030006000
26	0023706000	HEX NUT	2	REPLACES P/N 0207206000
27	D2356300004	GOVERNOR ROD	1	
28	0401450080	WASHER, FLAT	1	REPLACES P/N 031108160
29	0605010503	SNAP PIN	1	
30	0042806000	WASHER, FLAT	1	
31	505015300	SNAP PIN	1	REPLACES P/N 0605010502
32	0010108050	HEX HEAD BOLT	1	
32A	020108060	HEX NUT	1	REPLACES P/N 0207008000
33	0601806640	FUSE, 65A	1	
34	A5485500004	GUIDE	1	
35	0016906016	HEX HEAD BOLT	2	
36	Y0226900360	RUBBER SEAL	1	

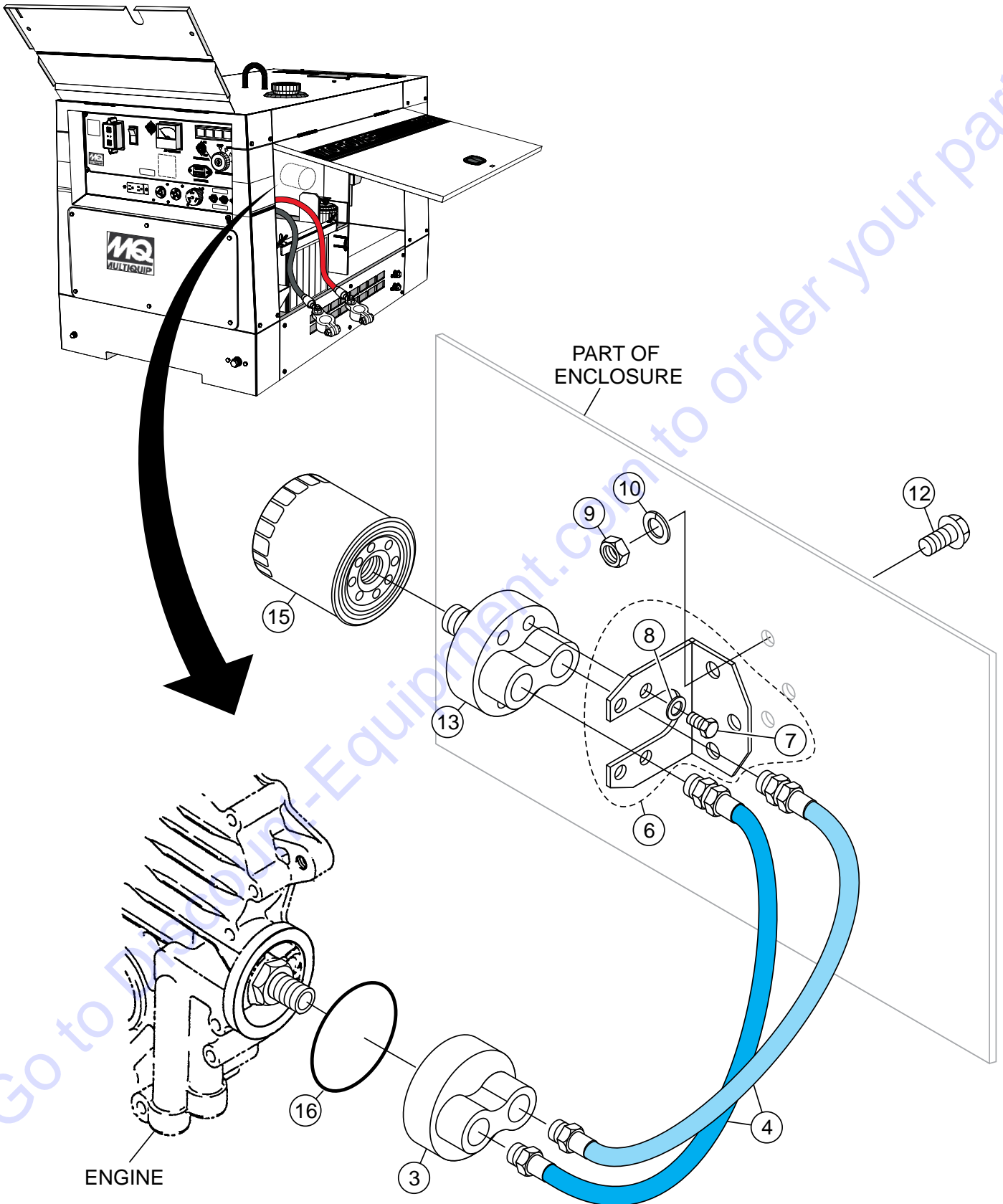
ENGINE AND RADIATOR ASSY.



ENGINE AND RADIATOR ASSY.

<u>NO.</u>	<u>PART NO.</u>	<u>PART NAME</u>	<u>QTY.</u>	<u>REMARKS</u>
1	A5924200094A	ENGINE, KUBOTA Z482E4B.....	1.....	REPLACES P/N A5924200094
1-1	HH15032430	CARTRIDGE, OIL FILTER.....	1.....	REPLACES P/N 1585332435
2	8745112003A	ENGINE FOOT.....	2.....	REPLACES P/N 8745112003
3	Y0341110020	HEX HEAD BOLT	8	
4	7085419004	RUBBER SUSPENSION	2	
5	021112140	HEX NUT.....	2.....	REPLACES P/N 0207010000
6	0602012795	RADIATOR	1	
6-1	0602011079	CAP, RADIATOR	1	
7	0605515170	HOSE BAND	3	
8	B1312600004	RUBBER MOUNT	2	
9	A6311500004	RADIATOR HOSE, UPPER	1	
10	A6311500103	RADIATOR HOSE, LOWER	1	
11	0605515134	HOSE BAND HS-16	2	
12	0605515003	HOSE BAND, Ø30	2	
13	1556211010	AIR CLEANER.....	1.....	REPLACES P/N 0602046265
13A	7000011221	ELEMENT, AIR CLEANER.....	1.....	REPLACES P/N 0602046374
14	3415013960	BAND, AIR CLEANER.....	1.....	REPLACES P/N 0602040575
14A	0222600340	RUBBER CUSHION	1	
15	011208030	HEX HEAD BOLT.....	1.....	REPLACES P/N 0016908030
16	020108060	HEX NUT.....	1.....	REPLACES P/N 0207008000
17	8742031004	BRACKET, AIR CLEANER	1	
18	011008020	HEX HEAD BOLT.....	2.....	REPLACES P/N 0016908020
19	011106015	HEX HEAD BOLT.....	2.....	REPLACES P/N 0016906015
20	8742032003A	HOSE, AIR CLEANER.....	1.....	REPLACES P/N 8742032003
21	1612036203	HOSE, AIR CLEANER	1	
22	0605515006	HOSE BAND, Ø50	1	
23	0602014302	HOSE BAND, Ø55.....	2.....	REPLACE P/N 0605515021
24	1622014103	DRAIN JOINT, WATER	1	
25	1502025103C	DRAIN JOINT, OIL.....	1.....	REPLACES P/N 1502025103
26	0802011104	PLUG	2	
27	0150000018	O-RING, A P18	2	
28	011106015	HEX HEAD BOLT.....	4.....	REPLACES P/N 0016906015
29	0802120604	PACKING	1	
30	0199900550	DRAIN HOSE	1	
31	0199900500	DRAIN HOSE	1	
32	0605515170	HOSE BAND	4	
33	0805010004	DRAIN JOINT	1	
34	1552053004	JOINT BOLT	1	
35	0602021190	PACKING, SW22	1	
36	0192200400	DRAIN HOSE	1	
37	0605515073	HOSE BAND, HS-10	1	
38	0605515073	HOSE BAND, HS-10	1	
39	0802081403	RESERVE TANK	1	
40	0802081104	CAP, RESERVE TANK	1	
41	1622082104	BRACKET, RESERVE TANK	1	
42	011606025	HEX HEAD BOLT.....	1.....	REPLACES P/N 0016906025
43	011106015	HEX HEAD BOLT.....	2.....	REPLACES P/N 0016906015
44	0199100215	HOSE	1	
45	0199900420	HOSE	1	

OIL FILTER RETROFIT ASSY. (DA7000SSA2GH)

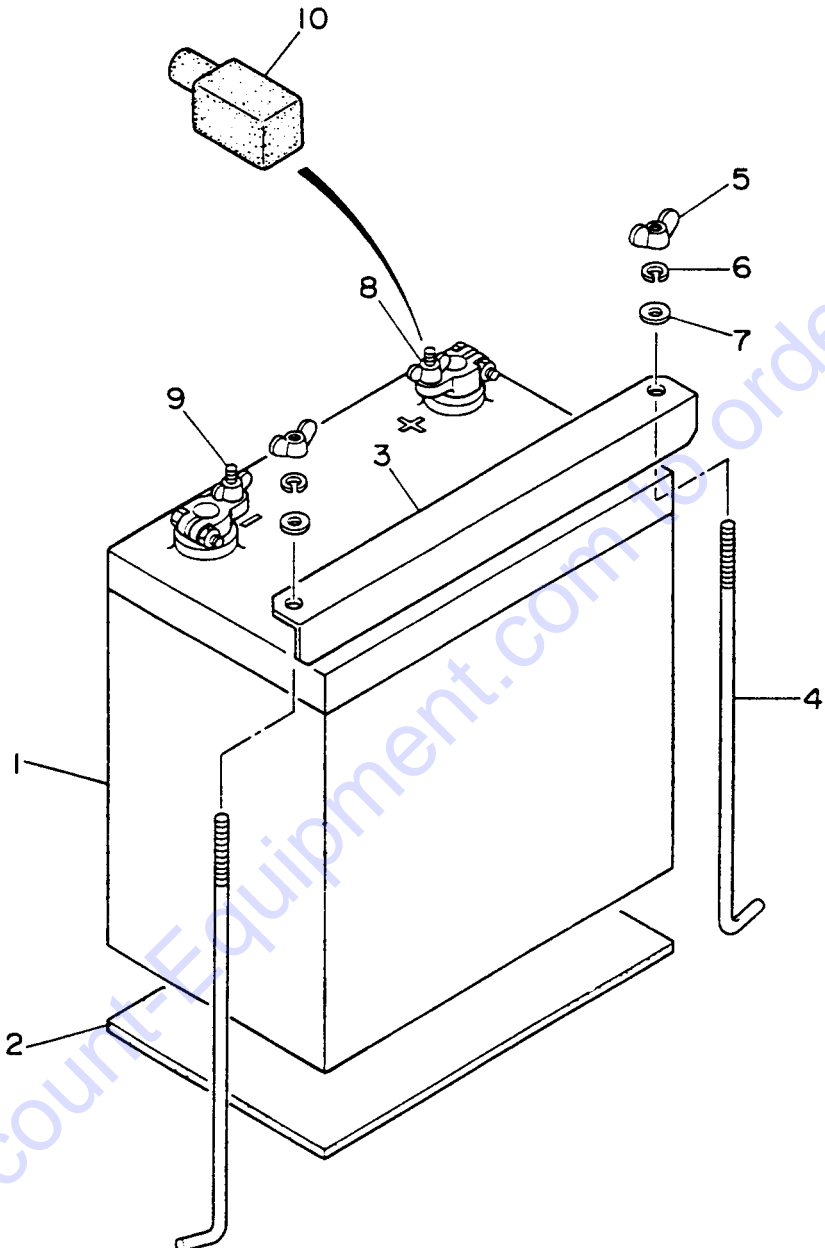


OIL FILTER RETROFIT ASSY. (DA7000SSA2GH)

<u>NO.</u>	<u>PART NO.</u>	<u>PART NAME</u>	<u>QTY.</u>	<u>REMARKS</u>
3	148002003	ADAPTER FILTER	1	
4	010601000	HOSE KIT	1	
6	149149001	BRACKET	1.....	INCLUDES ITEMS W/#
7#		BOLT	4.....	NOT SOLD SEPARATELY
8#		LOCKWASHER.....	4.....	NOT SOLD SEPARATELY
9	DA7000NUT	NUT	3	
10	DA7000LOCKWASHER	LOCKWASHER	3	
12	DA7000BOLT	BOLT	3	
13	149002000	FILTERHEAD	1	
15	7000015241	SPIN-ON OIL FILTER	1	
16	414537501	OIL SEAL	1	

Go to Discount-Equipment.com to order your parts

BATTERY ASSY.

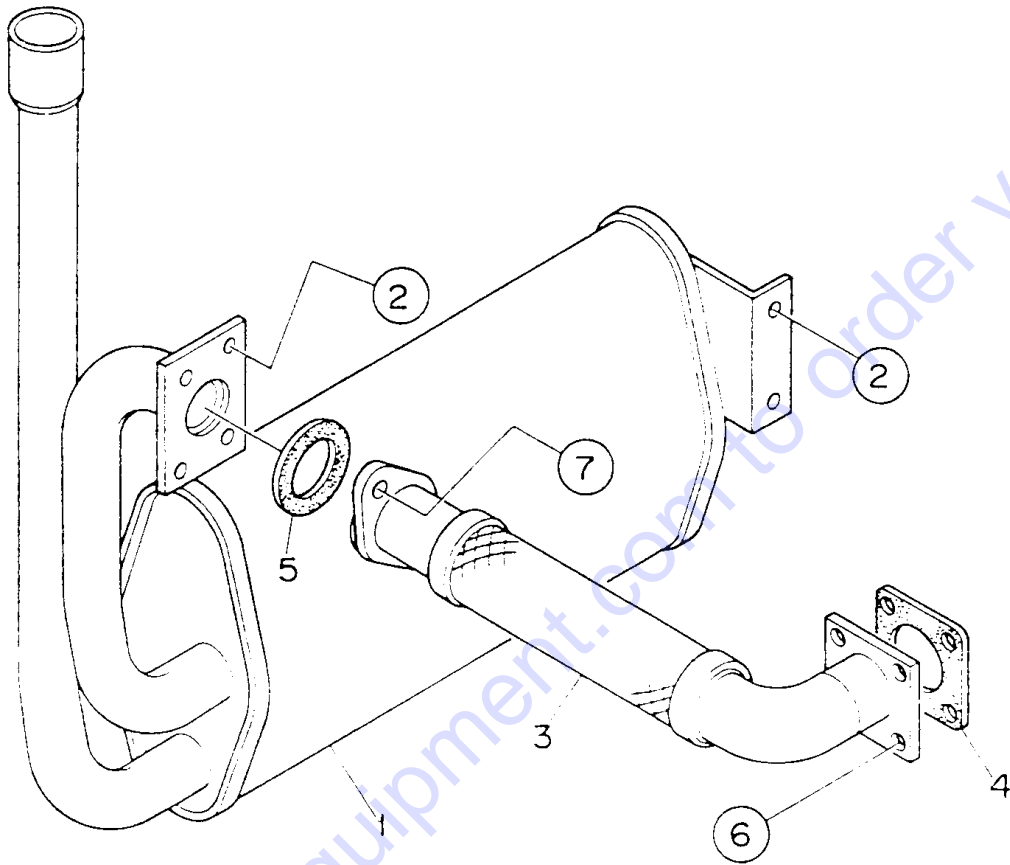


BATTERY ASSY.

<u>NO.</u>	<u>PART NO.</u>	<u>PART NAME</u>	<u>QTY.</u>	<u>REMARKS</u>
1	Y0165103820	BATTERY, 38B20R	1	
2	0805081004	BATTERY SHEET	1.....	REPLACES P/N 1702202104
3	D2345200004	BATTERY BAND	1	
4	0805082704	BATTERY BOLT	2	
5	0037806000	WING NUT	2	
6	0040006000	WASHER, LOCK	2	
7	952404470	WASHER, FLAT	2.....	REPLACES P/N 0041206000
8	0602220311	TERMINAL ASSY. (POSITIVE).....	1.....	REPLACE P/N 0602220310
9	0602220311	TERMINAL ASSY. (NEGATIVE)	1	
10	0845040414	TERMINAL CAP	1.....	REPLACES P/N 0602220600

Go to Discount-Equipment.com to order your parts

MUFFLER ASSY.

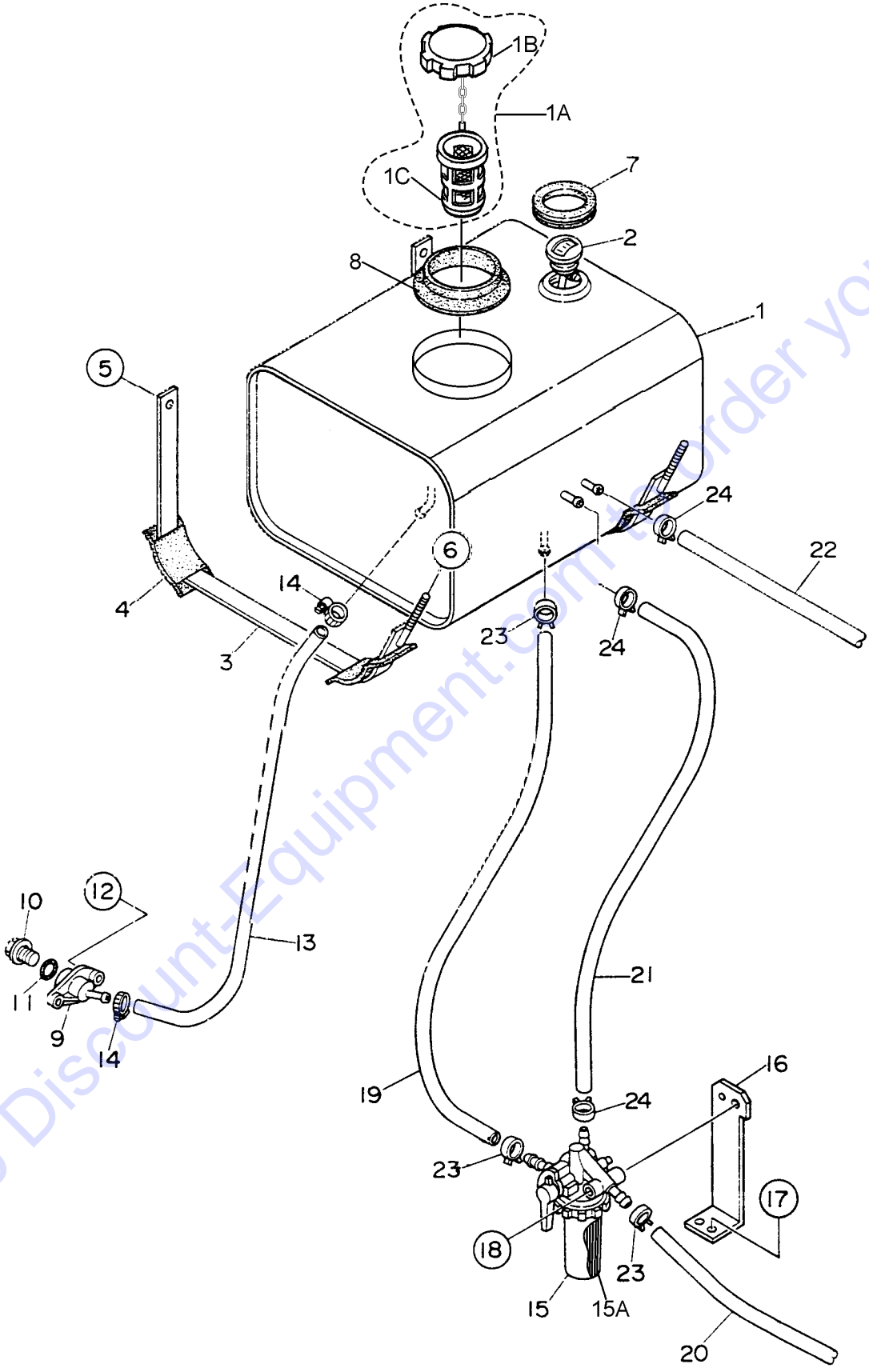


MUFFLER ASSY.

<u>NO.</u>	<u>PART NO.</u>	<u>PART NAME</u>	<u>QTY.</u>	<u>REMARKS</u>
1	D2332100003A	MUFFLER	1.....	REPLACES P/N D2332100003
2	011008020	HEX. HEAD BOLT	4.....	REPLACES P/N 0016908020
3	D2335000003	EXHAUST PIPE	1	
4	1526312370	GASKET	1.....	REPLACES P/N 1526312371
5	D9304000004	GASKET	1	
6	020108060	HEX. NUT	4.....	REPLACES P/N 0207008000
7	0012108035	HEX. HEAD BOLT	2.....	REPLACES P/N 0016908035

Go to Discount-Equipment.com to order your parts

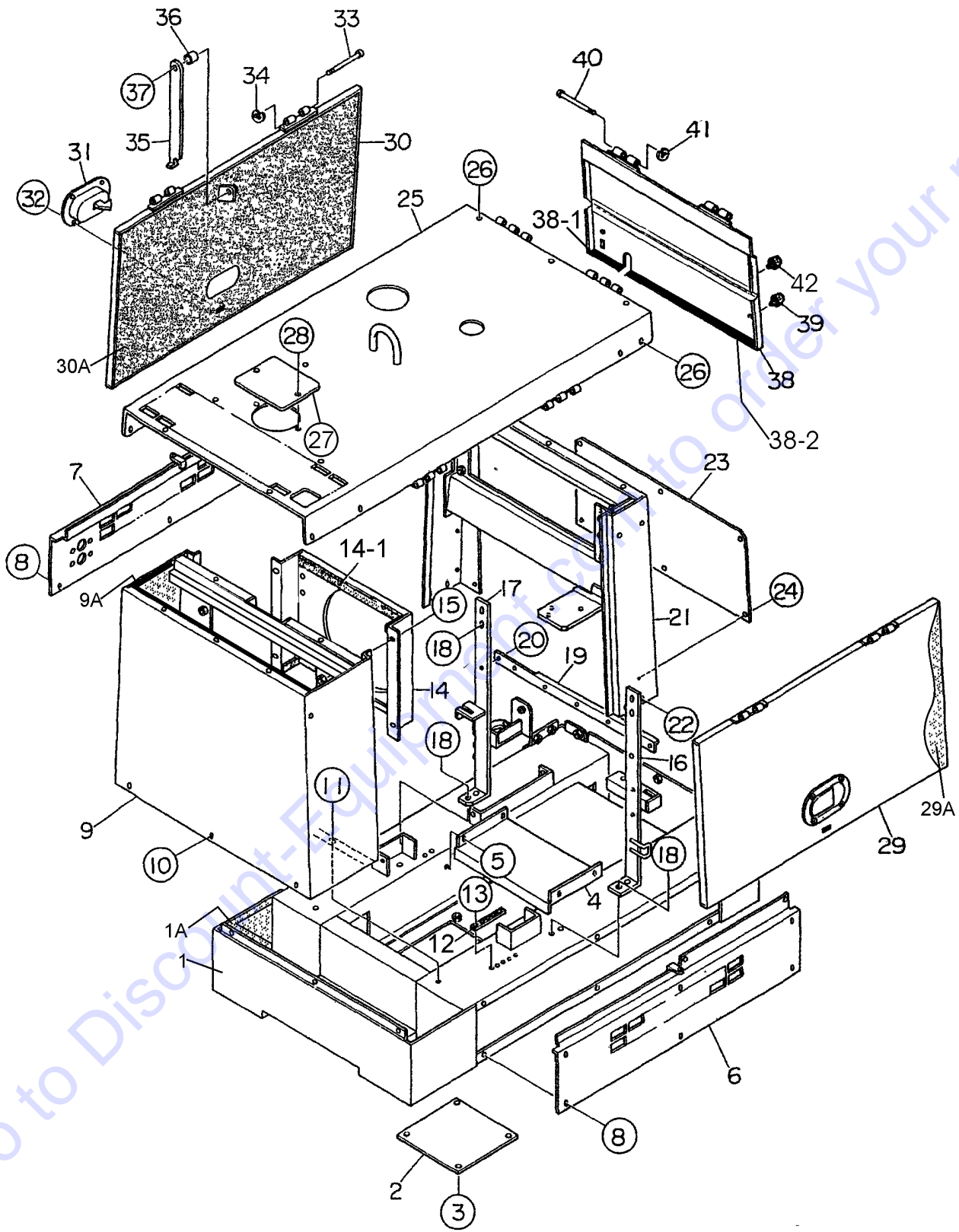
FUEL TANK ASSY.



FUEL TANK ASSY.

<u>NO.</u>	<u>PART NO.</u>	<u>PART NAME</u>	<u>QTY.</u>	<u>REMARKS</u>
1	D2365000013B	FUEL TANK.....	1.....	REPLACES P/N D2365000013
1A	A9924800024	FUEL TANK CAP ASSY.	1.....	INCLUDES ITEM W/#
1B#	0810105800	CAP, FUEL TANK		
1C#	0810105900	FUEL STRAINER	1	
2	0602125033	FUEL GAUGE	1	
3	D2365200004B	TANK BAND.....	2.....	REPLACES P/N D2365200004
4	0805003414	PAD, TANK BAND	4	
5	011106015	HEX. HEAD BOLT.....	2.....	REPLACES P/N 0016906015
6	0207308000	HEX. NUT	2	
7	D1490600104	RUBBER SEAL	1	
8	B9312400004	RUBBER SEAL	1	
9	7812014003	DRAIN JOINT	1	
10	0802011104	PLUG	1	
11	0150000018	O-RING	1	
12	0017106016	HEX. HEAD BOLT	2	
13	0199900670	DRAIN HOSE	1	
14	0605515170	HOSE BAND	2	
15	1553143010	FUEL FILTER.....	1.....	REPLACES P/N 1553143012
15A	1523143560	ELEMENT, FUEL FILTER	1.....	REPLACES P/N 0602042171
16	D2368700004B	BRACKET, FUEL FILTER	1.....	REPLACES P/N D2368700004
17	0016906016	HEX. HEAD BOLT	2	
18	0016908065	HEX. HEAD BOLT	1	
19	0966180240	SUCTION HOSE.....	1.....	REPLACES P/N 0605513158
20	0966180400	SUCTION HOSE.....	1.....	REPLACES P/N 0605513101
21	0966140320	RETURN HOSE.....	1.....	REPLACES P/N 0605514101
22	0966140240	RETURN HOSE.....	1.....	REPLACES P/N 0605514102
23	1491142750	HOSE BAND.....	4.....	REPLACES P/N 0605515070
24	1024442320	HOSE BAND.....	4.....	REPLACES P/N 0605515072

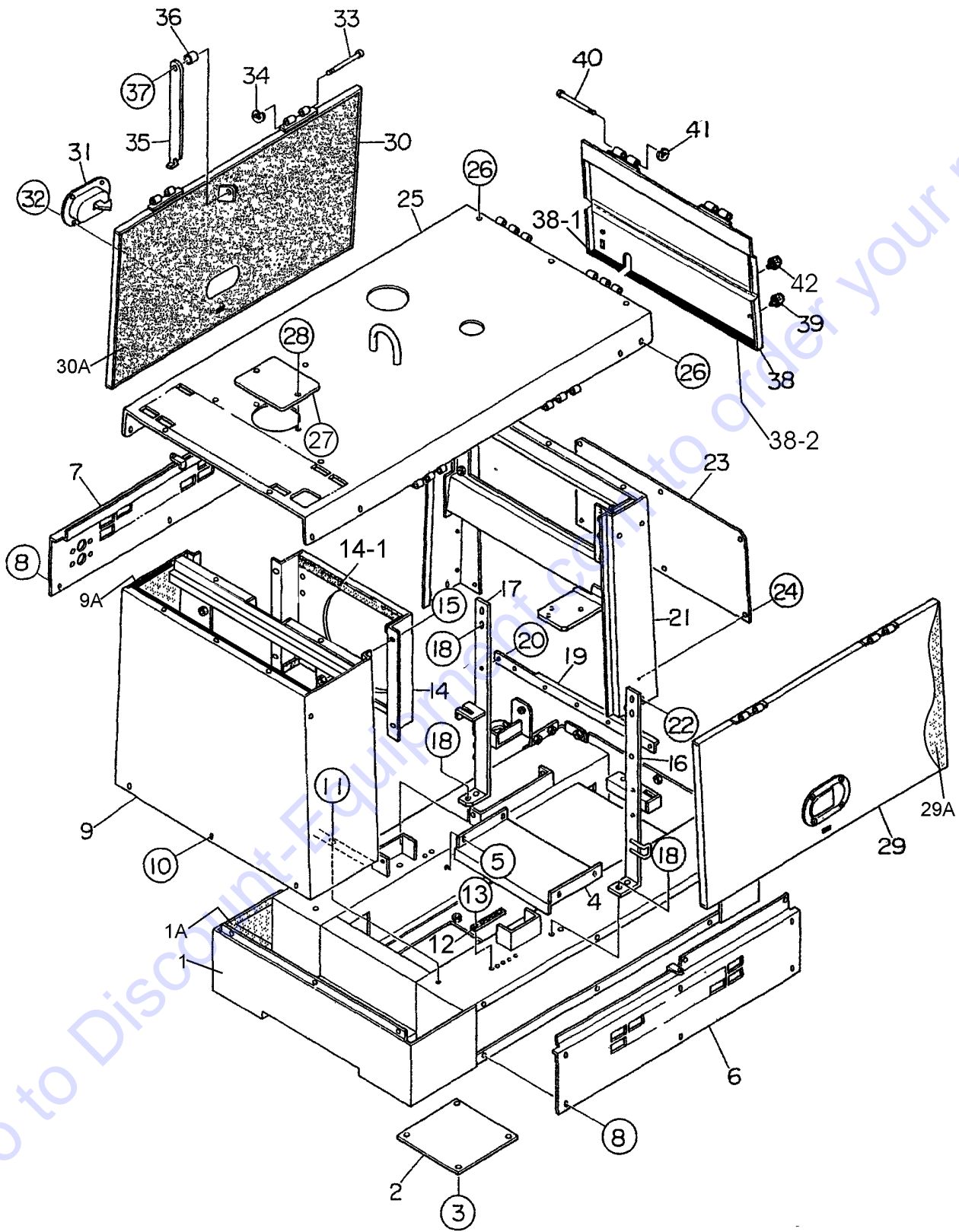
ENCLOSURE ASSY.



ENCLOSURE ASSY.

<u>NO.</u>	<u>PART NO.</u>	<u>PART NAME</u>	<u>QTY.</u>	<u>REMARKS</u>
1	A5415000212	BASE	1	
1A	D2492100004	LINING	1	
2	D2415100004	FLOOR PANEL	1	
3	011106015	HEX HEAD BOLT.....	4.....	REPLACES P/N 0016906015
4	A5415600114	DUCT	1	
5	011106015	HEX HEAD BOLT.....	5.....	REPLACES P/N 0016906015
6	D2455200113	SPLASHER PANEL	1	
7	D2455200003A	SPLASHER PANEL.....	1.....	REPLACES P/N D2455200003
8	011106015	HEX HEAD BOLT.....	12.....	REPLACES P/N 0016906015
9	D2425000022MQW	FRONT FRAME.....	1.....	REPLACES P/N D2425000032
9A	Y0317900370	RUBBER SEAL	2	
10	011106015	HEX HEAD BOLT.....	3.....	REPLACES P/N 0016906015
11	011008020	HEX HEAD BOLT.....	2.....	REPLACES P/N 0016908020
12	8511864601A	TERMINAL PLATE.....	1.....	REPLACES P/N 8511864604
13	011106015	HEX HEAD BOLT.....	5.....	REPLACES P/N 0016906015
14	D2311300003	FAN SHROUD	1	
14-1	Y0315500370	LINING	2	
15	011106015	HEX HEAD BOLT.....	4.....	REPLACES P/N 0016906015
16	A5435300203	HANGER	1	
17	A5435300403	HANGER	1	
18	012210025	HEX HEAD BOLT.....	8.....	REPLACES P/N 0012310025
19	D2485500014	HARNESS GUIDE	1	
20	011106015	HEX HEAD BOLT.....	2.....	REPLACES P/N 0016906015
21	A5444000802	REAR FRAME	1	
22	011106015	HEX HEAD BOLT.....	4.....	REPLACES P/N 0016906015
23	D2445300004	COVER, REAR FRAME	1	
24	011106015	HEX HEAD BOLT.....	6.....	REPLACES P/N 0016906015

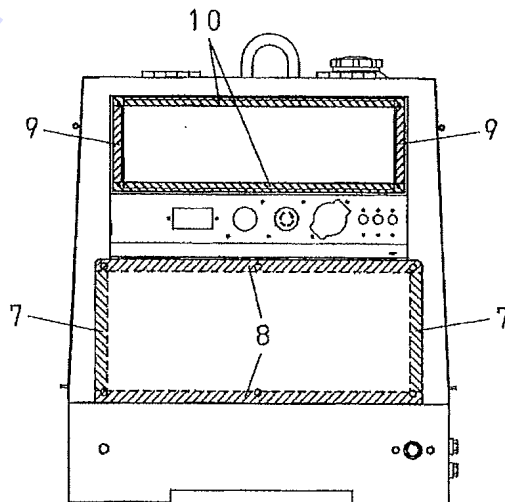
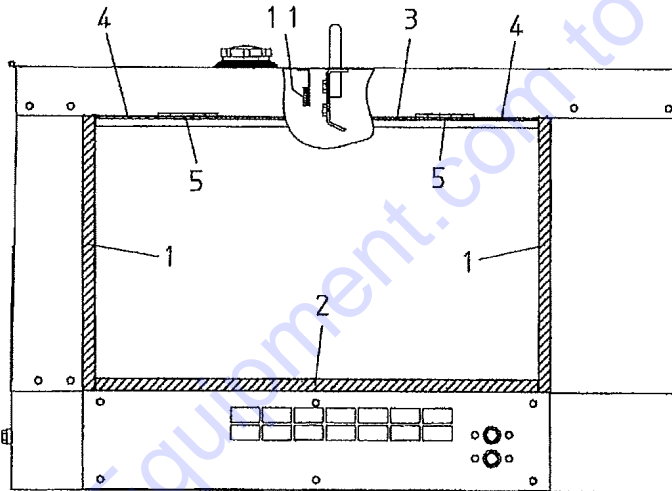
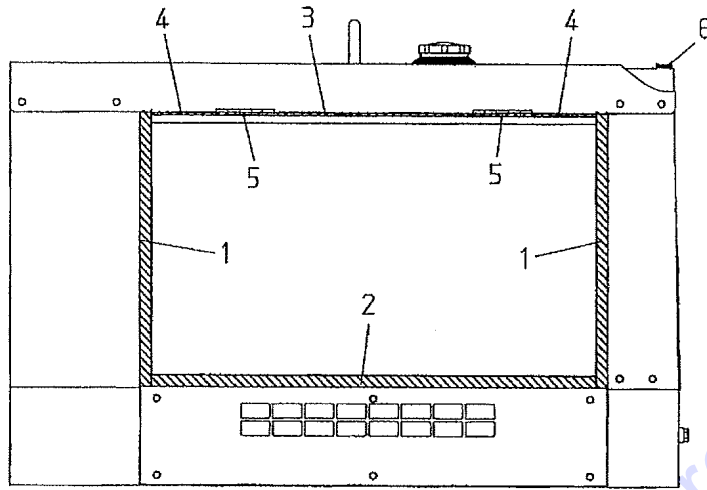
ENCLOSURE ASSY.



ENCLOSURE ASSY.

<u>NO.</u>	<u>PART NO.</u>	<u>PART NAME</u>	<u>QTY.</u>	<u>REMARKS</u>
25	A5465000112	ROOF PANEL	1	
26	011106015	HEX HEAD BOLT.....	15.....	REPLACES P/N 0016906015
27	8432081004	COVER,RADIATOR CAP	1	
28	011106015	HEX HEAD BOLT.....	2.....	REPLACES P/N 0016906015
29	D2455000113	SIDE DOOR	1	
29A	A5495400704	LINING	1	
30	D2455000013	SIDE DOOR	1	
30A	A5495400604	LINING	1	
31	0605010215	DOOR HANDLE	2	
32	0021805016	MACHINE SCREW	8	
33	0810014704	PIN	4	
34	0080200004	SNAP RING	4	
35	D2455700004	DOOR STAY	2	
36	7835088004	COLLAR	2	
37	011008020	HEX HEAD BOLT.....	2.....	REPLACES P/N 0016908020
38	A5444200703	REAR DOOR	1	
38-1	Y0226900205	RUBBER SEAL	1	
38-2	0226900300	RUBBER SEAL	1	
39	0601851613	STOPPER	2	
40	0810014704	PIN	2	
41	0080200004	SNAP RING	2	
42	0601851660	STOPPER	2	

RUBBER SEALS ASSY.

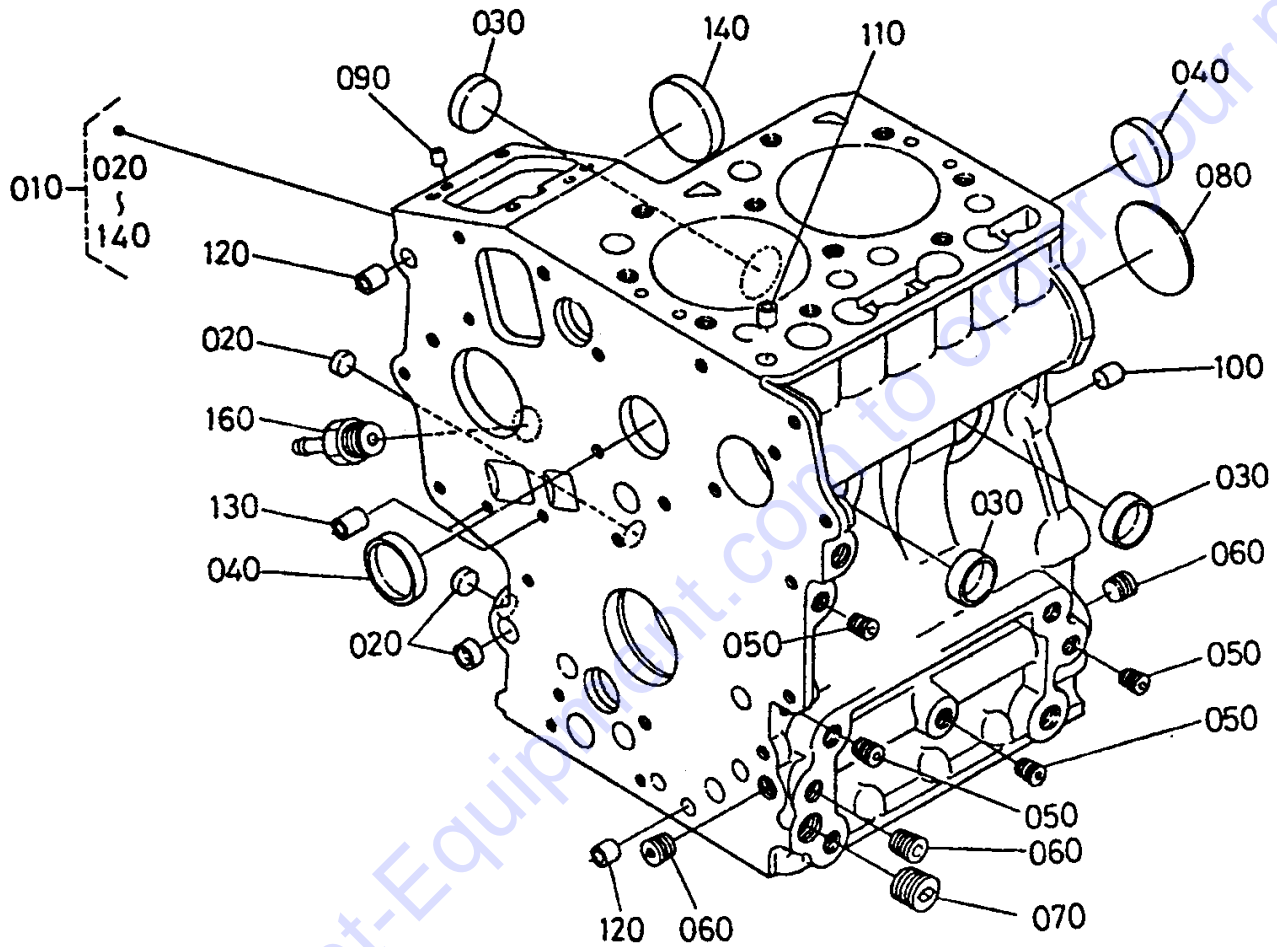


RUBBER SEALS ASSY.

<u>NO.</u>	<u>PART NO.</u>	<u>PART NAME</u>	<u>QTY.</u>	<u>REMARKS</u>
1	Y0221200470	RUBBER SEAL	4	
2	0221200760	RUBBER SEAL	2	
3	Y0221200325	RUBBER SEAL	2	
4	Y0221200125	RUBBER SEAL	4	
5	0222600100	RUBBER SEAL	4	
6	0228300600	RUBBER SEAL	1	
7	0228300200	RUBBER SEAL	2	
8	0228300550	RUBBER SEAL	2	
9	0227600130	RUBBER SEAL	2	
10	0227600500	RUBBER SEAL	2	
11	0222100300	RUBBER SEAL	1	

Go to Discount-Equipment.com to order your parts

KUBOTA Z482-E4B ENGINE — CRANKCASE ASSY.

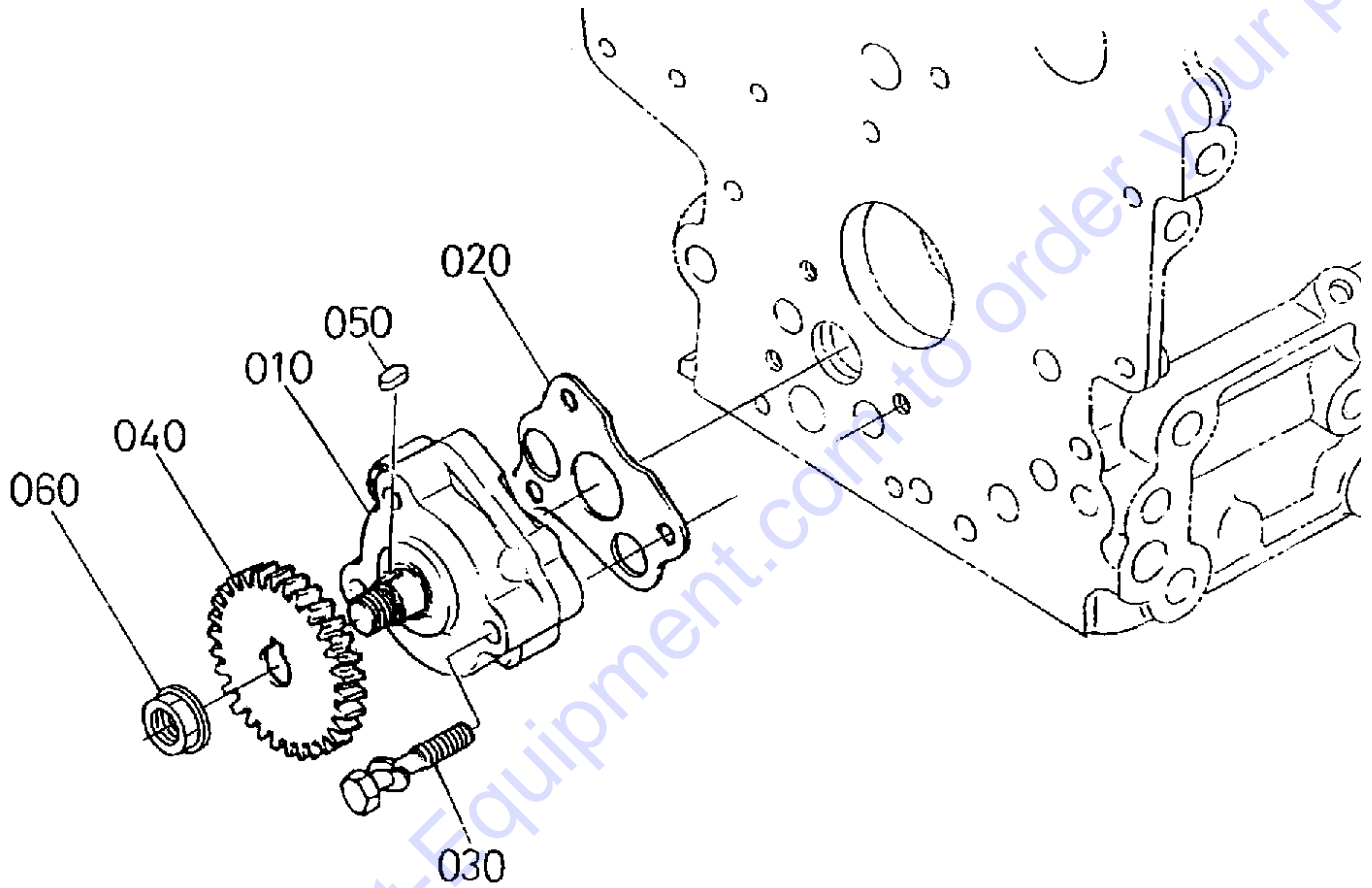


KUBOTA Z482-E4B ENGINE — CRANKCASE ASSY.

<u>NO.</u>	<u>PART NO.</u>	<u>PART NAME</u>	<u>QTY.</u>	<u>REMARKS</u>
010	1J09001020	COMP. CRANKCASE.....	1.....	INCLUDES ITEMS W/\$
020\$	1685196260	CAP, SEALING	3	
030\$	1685196270	CAP, SEALING	3	
040\$	1545196270	CAP, SEALING	2	
050\$	1526196010	PLUG	4	
060\$	1552196020	PLUG	3	
070\$	1552196030	PLUG	1	
080\$	1526196160	PLUG, CONCAVE	1	
090\$	0501200508	PIN, STRAIGHT	2	
100\$	0501200814	PIN, STRAIGHT	2	
110\$	1522133650	PIN, PIPE	1	
120\$	1733159190	PIN, PIPE	2	
130\$	1733159190	PIN, PIPE	2	
140\$	1685116212	COVER, FUEL CAMSHAFT	1	
160	1584773130	JOINT, DRAIN PIPE	1	

Go to Discount-Equipment.com to order your parts

KUBOTA Z482-E4B ENGINE — OIL PUMP ASSY.

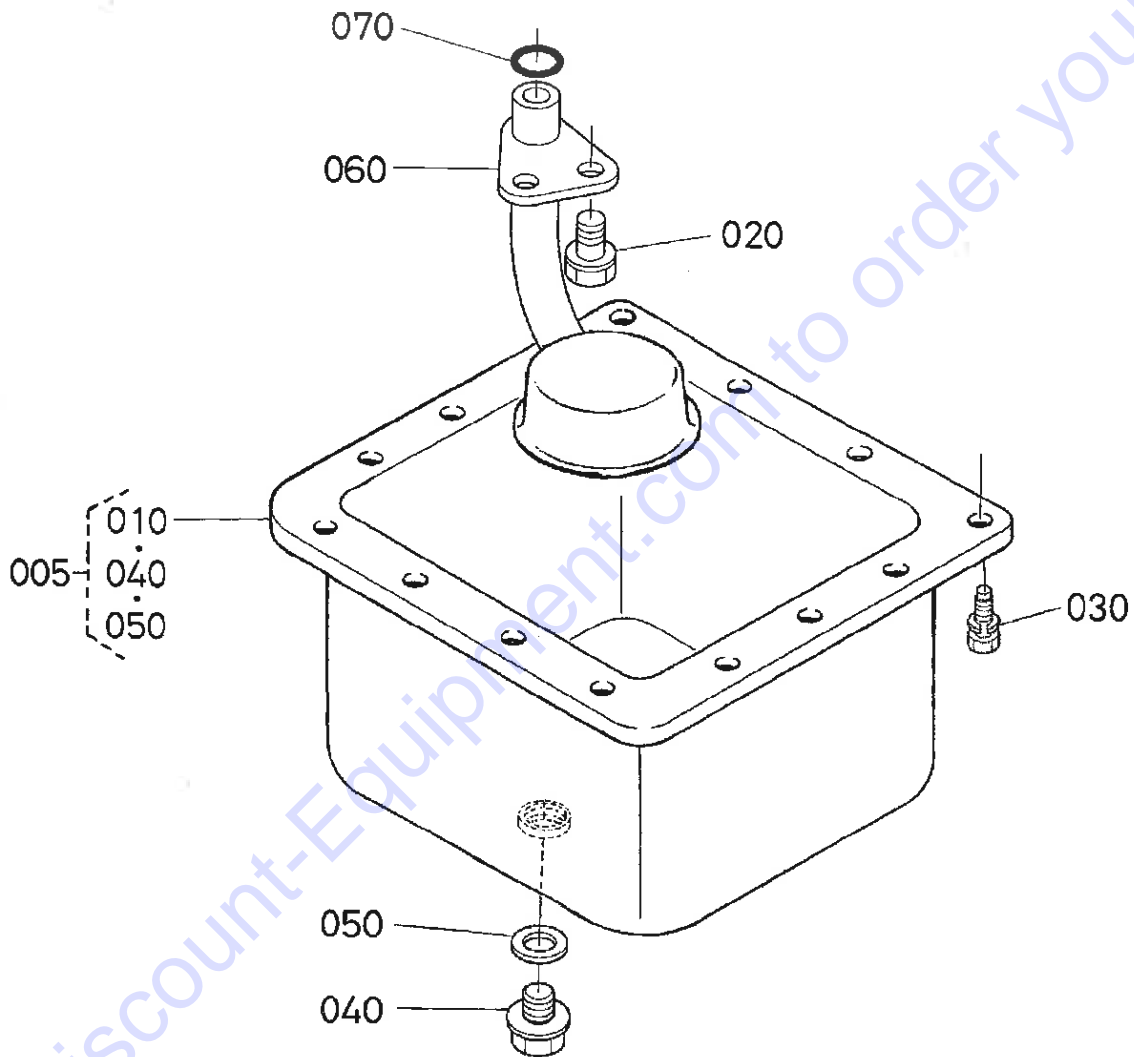


KUBOTA Z482-E4B ENGINE — OIL PUMP ASSY.

<u>NO.</u>	<u>PART NO.</u>	<u>PART NAME</u>	<u>QTY.</u>	<u>REMARKS</u>
010	1685135012	OIL PUMP ASSY.	1	
020	1685135152	GASKET, OIL PUMP NA	1	
030	1584191050	BOLT	3	
040	1584135660	GEAR, OIL PUMP DRIVE.....	1.....	S/N 4DKZ999 AND BELOW
040	1G68735660	GEAR, OIL PUMP DRIVE.....	1.....	S/N 4DL0001 AND ABOVE
050	0571200408	KEY, FEATHER	1	
060	0278350100	NUT, FLANGE	1	

Go to Discount-Equipment.com to order your parts

KUBOTA Z482-E4B ENGINE — OIL PAN ASSY.

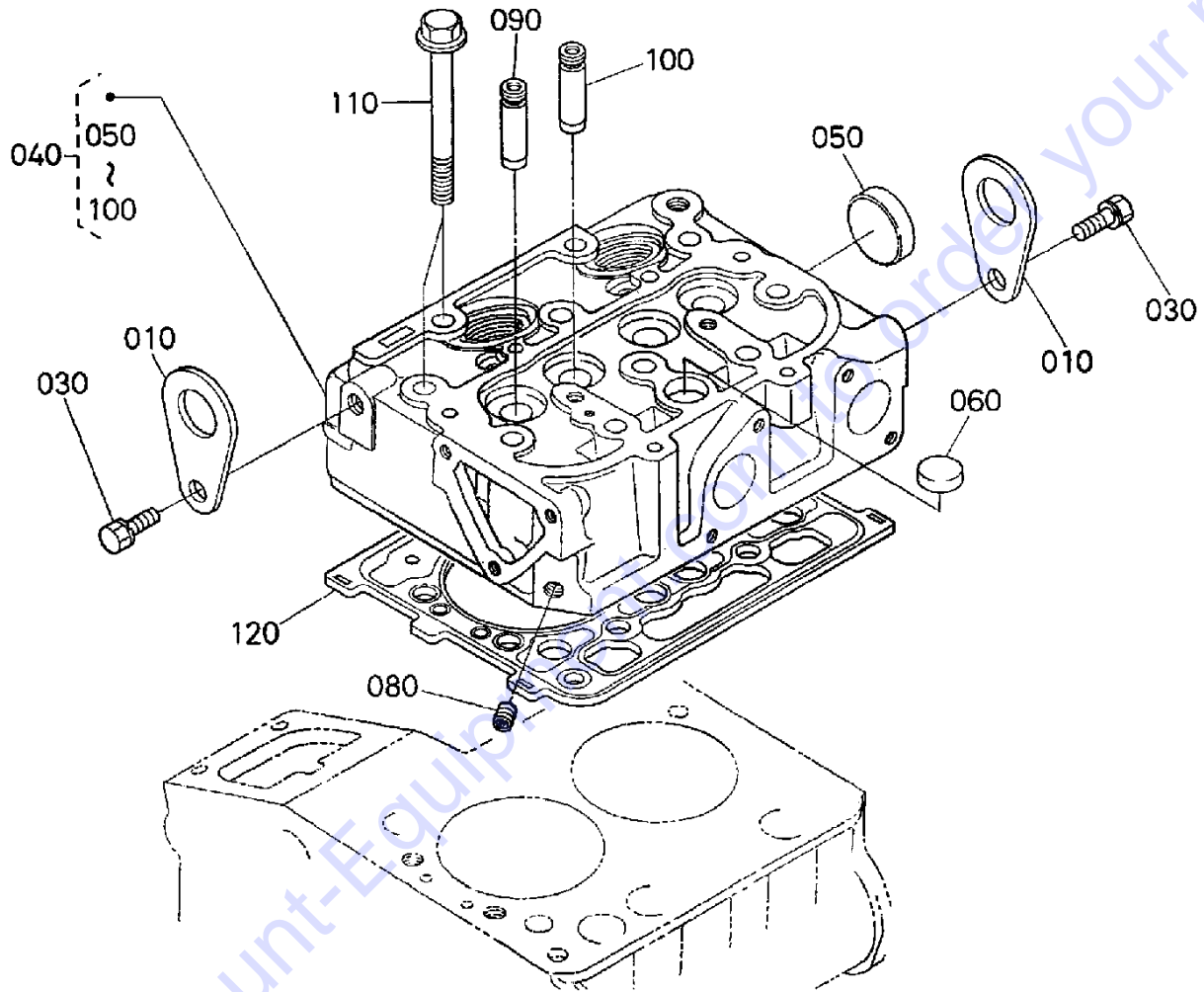


KUBOTA Z482-E4B ENGINE — OIL PAN ASSY.

<u>NO.</u>	<u>PART NO.</u>	<u>PART NAME</u>	<u>QTY.</u>	<u>REMARKS</u>
005	1756101600	KIT, OIL PAN	1.....	INCLUDES ITEMS W/\$
010\$	1756101505	COMP. OIL PAN	1	
020	0112350814	BOLT, SEMS	1	
030	0102350612	BOLT, SEMS	14	
040\$	1570733750	PLUG, DRAIN	1	
050\$	1626596670	GASKET, PAN OIL	1	
060	1685132110	FILTER, OIL	1	
070	0481400160	O-RING	1	

Go to Discount-Equipment.com to order your parts

KUBOTA Z482-E4B ENGINE — CYLINDER HEAD ASSY.

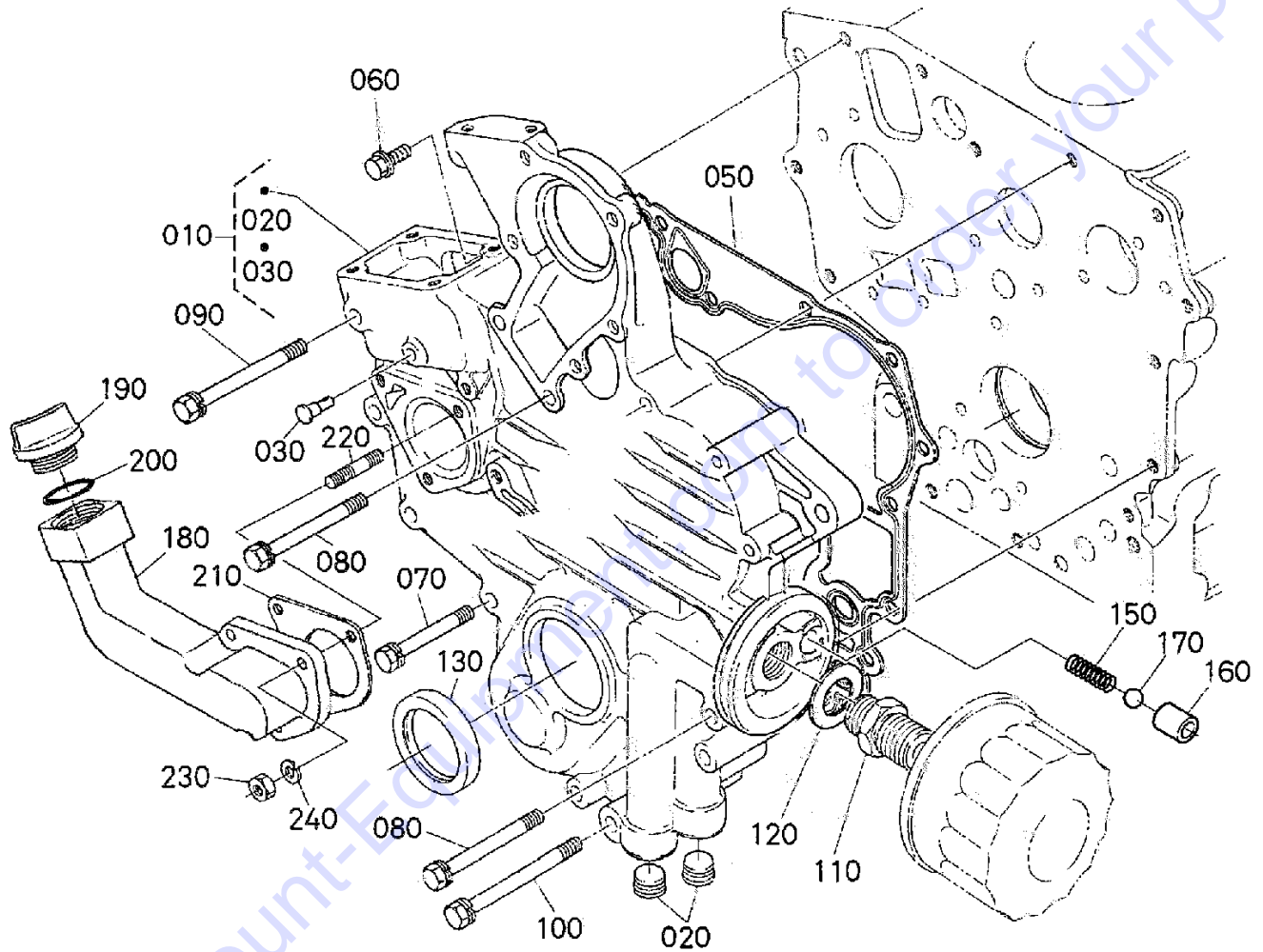


KUBOTA Z482-E4B ENGINE — CYLINDER HEAD ASSY.

<u>NO.</u>	<u>PART NO.</u>	<u>PART NAME</u>	<u>QTY.</u>	<u>REMARKS</u>
010	1522101750	HOOK, ENGINE	2	
030	0112350816	BOLT, SEMS	2	
040	1E39103040	COMP. CYLINDER HEAD.....	1.....	INCLUDES ITEMS W/\$
050\$	1532196260	PLUG, CUP TYPE	1	
060\$	1526103370	PLUG, CUP TYPE	1	
080\$	1526196010	PLUG	1	
090\$	1584113540	GUIDE, INLET VALVE	2	
100\$	1584113560	GUIDE, EXHAUST VALVE	2	
110	1460103450	BOLT, CYLINDER HEAD	10	
120	1J09003310	GASKET, CYLINDER HEAD	1	

Go to Discount-Equipment.com to order your parts

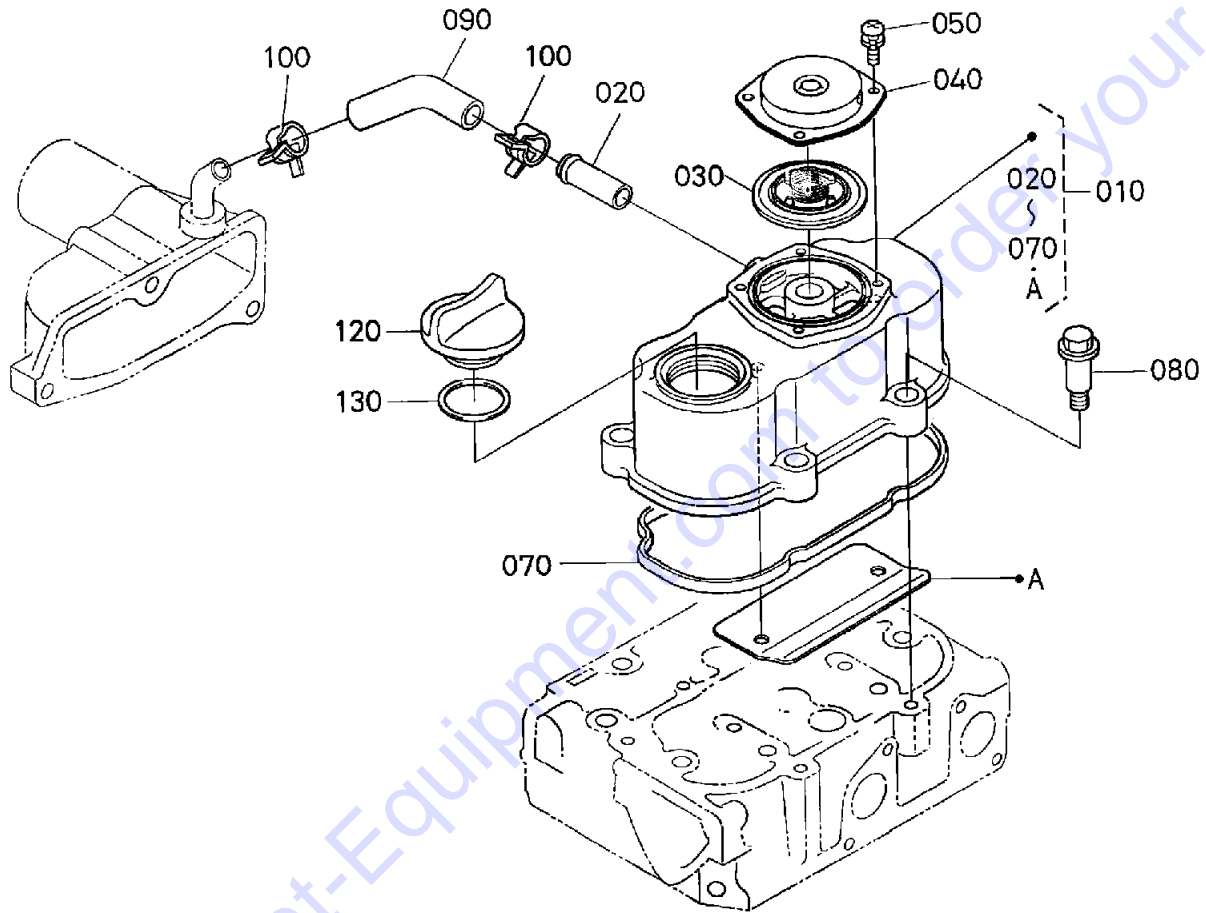
KUBOTA Z482-E4B ENGINE — GEAR CASE ASSY.



KUBOTA Z482-E4B ENGINE — GEAR CASE ASSY.

<u>NO.</u>	<u>PART NO.</u>	<u>PART NAME</u>	<u>QTY.</u>	<u>REMARKS</u>
010	1E05104024	COMP. CASE, GEAR.....	1.....	INCLUDES ITEMS W/\$
020\$	1552196030	PLUG	2	
030\$	1584156280	PIN, START SPRING	1	
050	1687104130	GASKET, GEAR CASE	1	
060	0175450616	BOLT, FLANGE	1	
070	0102350650	BOLT, SEMS	8	
080	1584191010	BOLT	5	
090	0102350670	BOLT, SEMS	1	
100	0102350675	BOLT, SEMS	1	
110	1524132290	JOINT, PIPE	1	
120	1584194010	WASHER, FLAT	1	
130	1587704140	SEAL, OIL.....	1.....	S/N 4DPZ999 AND BELOW
130	1J09404140	SEAL, OIL.....	1.....	S/N 4DQ0001 AND ABOVE
150	1685136950	SPRING	1	
160	1584136930	SEAT, VALVE	1	
170	0771503211	BALL	1	
180	1584633110	FLANGE, OIL FILLER	1	
190	1381133140	PLUG, OIL FILLER	1	
200	0481706230	O-RING	1	
210	1946188132	GASKET, H/M GEAR CASE	1	
220	1522188210	STUD	3	
230	0205650060	HEX NUT	3	
240	0451250060	WASHER, SPRING LOCK	3	

KUBOTA Z482-E4B ENGINE — HEAD COVER ASSY.

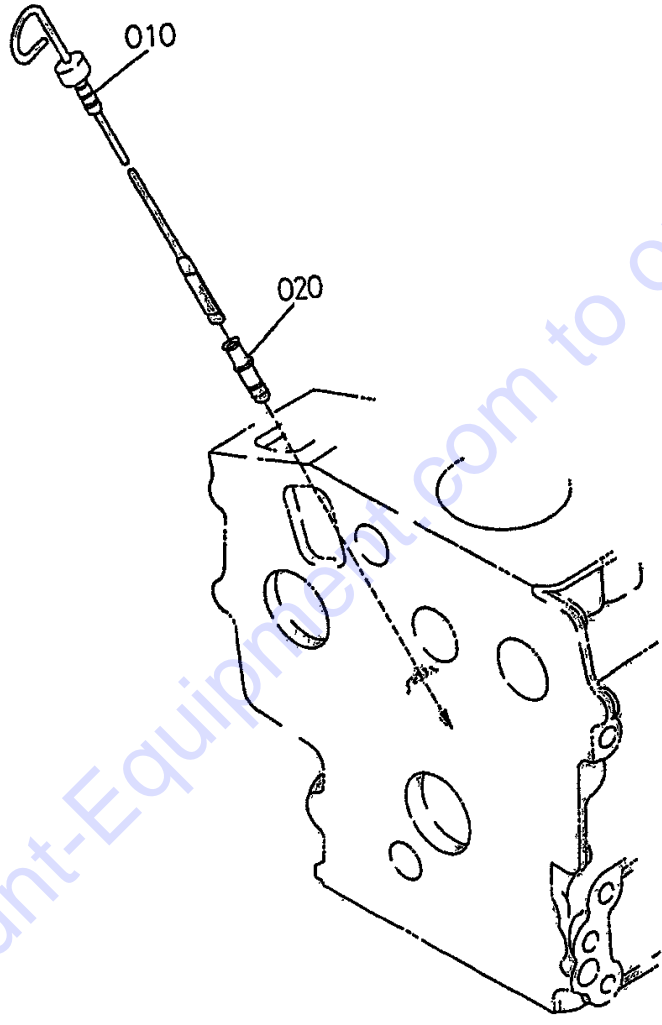


KUBOTA Z482-E4B ENGINE — HEAD COVER ASSY.

NO.	PART NO.	PART NAME	QTY.	REMARKS
010	1G95714504	COVER, CYLINDER HEAD ASSY.....	1.....	INCLUDES ITEMS W/\$
020\$	1624173370	PIPE, WATER RETURN	1	
030\$	1G91105203	COMP. VALVE, BREATHER	1	
040\$	1G80105120	COVER, BREATHER	1	
050\$	0302450510	SCREW, SEMS PAN HEAD	4	
070\$	1G95714520	GASKET, HEAD COVER	1	
080	1G91191022	BOLT	4	
090	1G96005513	TUBE, BREATHER	1	
100	0931888125	CLAMP, HOSE	2	
120	E915133140	PLUG, OIL FILLER	1	
130	1J00196770	O-RING	1	
A\$	1G95805370	SHIELD, BREATHER	1	

Go to Discount-Equipment.com to order your parts

KUBOTA Z482-E4B ENGINE — DIPSTICK AND GUIDE ASSY.



Go to Discount-Equipment.com to order your parts

KUBOTA Z482-E4B ENGINE — DIPSTICK AND GUIDE ASSY.

<u>NO.</u>	<u>PART NO.</u>	<u>PART NAME</u>	<u>QTY.</u>	<u>REMARKS</u>
010	1G30436410	GAUGE, OIL	1	
020	1745636420	GUIDE, OIL GAUGE	1	

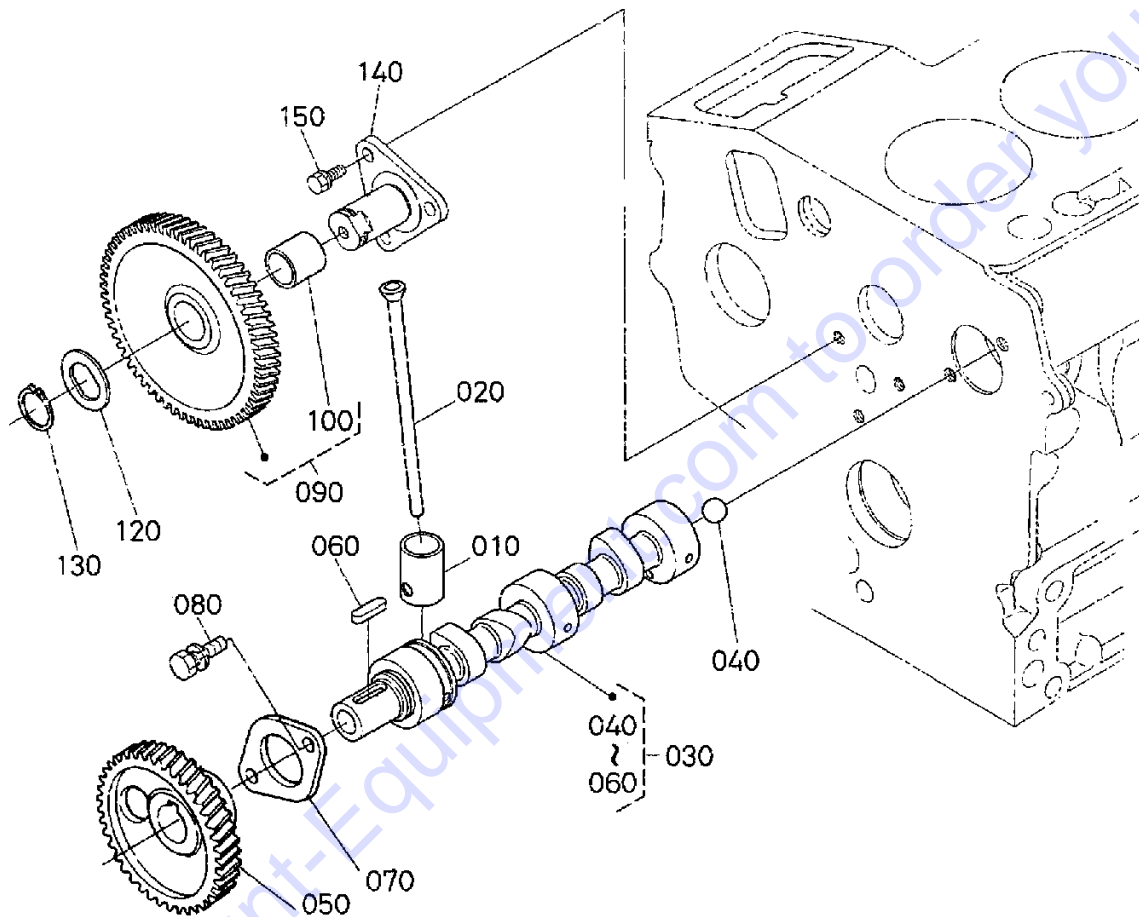
Go to Discount-Equipment.com to order your parts

KUBOTA Z482-E4B ENGINE — MAIN BEARING CASE ASSY.

<u>NO.</u>	<u>PART NO.</u>	<u>PART NAME</u>	<u>QTY.</u>	<u>REMARKS</u>
010	1J00207090	CASE, WHEEL BEARING ASSY.	1.....	INCLUDES ITEMS W/\$
020\$	1569423482	METAL, CRANKSHAFT STD/SET	1	
020\$	1569423932	METAL, CRANKSHAFT, -0.20MM/SET	1	
020\$	1569423942	METAL, CRANKSHAFT, -0.40MM/SET	1	
030\$	0175450840	BOLT, FLANGE	2	
040\$	0501200608	PIN, STRAIGHT	2	
050	1585204360	GASKET, BEARING CASE	1	
060	1584104803	COVER, BEARING CASE ASSY.	1.....	INCLUDES ITEMS W/#
070#	1584104815	COVER, BEARING CASE	1	
080#	1921599160	SEAL, OIL	1	
090	1584104823	GASKET, CASE COVER	1	
100	0102350622	BOLT, SEMS	8	
110	1269107044	BEARING CASE, ASSY.....	1.....	INCLUDES ITEMS W/%
120%	1584104540	BOLT, BEARING CASE	2	
130%	1685104040	CASE, MAIN BEARING ASSY.	1	
140%	1586123484	METAL, CRANKSHAFT, STD/SET	1	
140	1586123863	METAL, CRANKSHAFT, -0.20MM/SET	1	
140	1586123873	METAL, CRANKSHAFT, -0.40MM/SET	1	
150	1584104562	BOLT, BEARING CASE	1	

Go to Discount-Equipment.com to order your parts

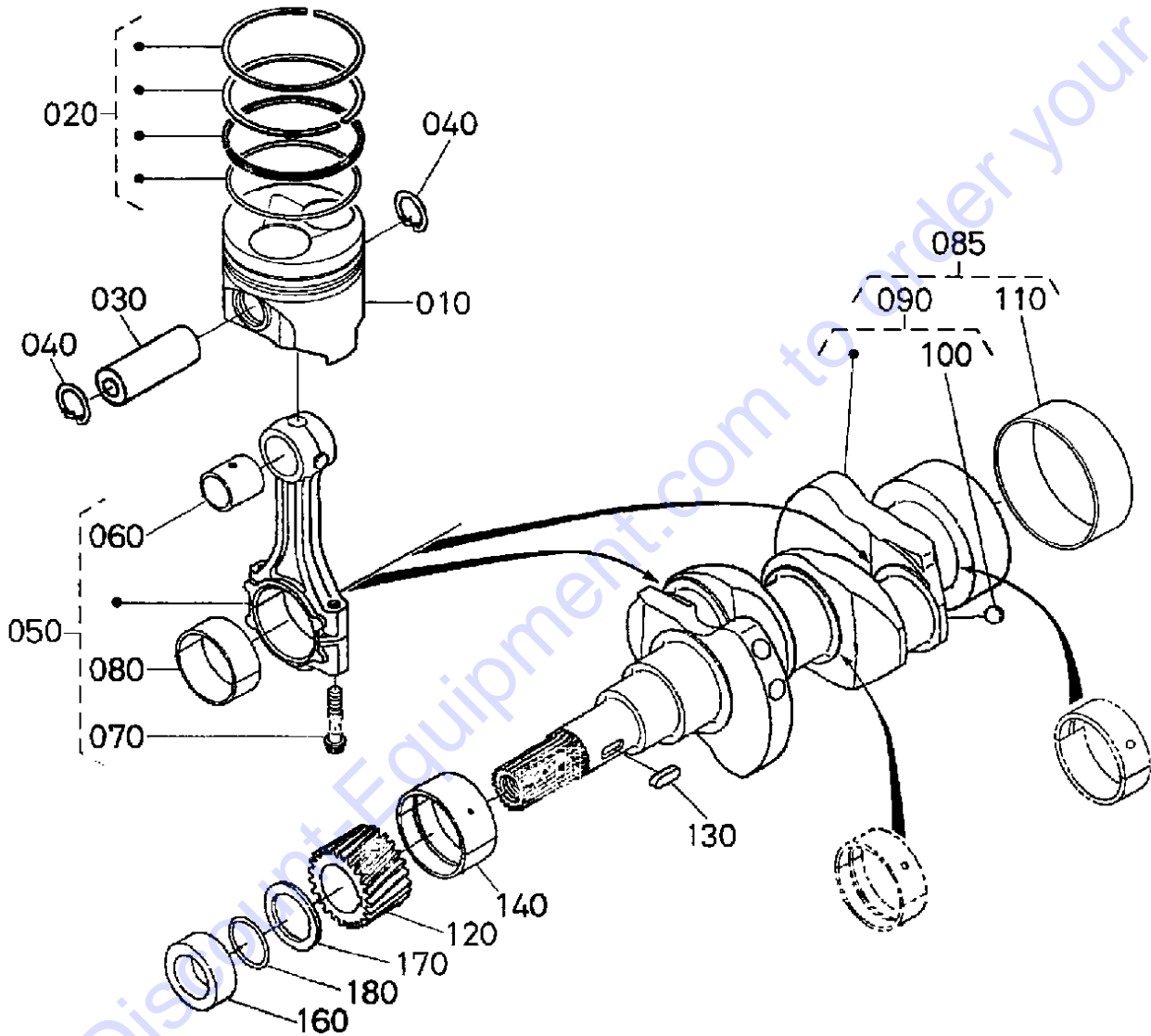
KUBOTA Z482-E4B ENGINE — CAMSHAFT AND IDLE GEAR ASSY.



KUBOTA Z482-E4B ENGINE — CAMSHAFT AND IDLE GEAR ASSY.

<u>NO.</u>	<u>PART NO.</u>	<u>PART NAME</u>	<u>QTY.</u>	<u>REMARKS</u>
010	1685115552	TAPPET	4	
020	1685115110	PUSH ROD	4	
030	1582116015	CAMSHAFT ASSY.....	1.....	S/N 4DMZ999 AND BELOW INCLUDES ITEMS W/#
030	1582116018	CAMSHAFT ASSY.....	1.....	S/N 4DN0001 AND ABOVE INCLUDES ITEMS W/\$
040#\$	0771500401	BALL 1/4	1	
050#	1686416510	GEAR, CAM.....	1.....	S/N 4DMZ999 AND BELOW
050\$	1J09416510	GEAR, CAM.....	1.....	S/N 4DN0001 AND ABOVE
060#\$	0571200518	KEY, FEATHER	1	
070	1584116270	STOPPER, CAMSHAFT	1	
080	0102350612	BOLT, SEMS	2	
090	1587524015	COMP. GEAR, IDLE.....	1.....	INCLUDES ITEMS W/%
100%	1587524284	BUSH	1	
120	1587524370	COLLAR, IDLE GEAR	1	
130	1587524320	CIRCLIP, SHAFT IDLE GEAR	1	
140	1587524250	SHAFT, IDLE GEAR	1	
150	0175450612	BOLT, FLANGE	3	

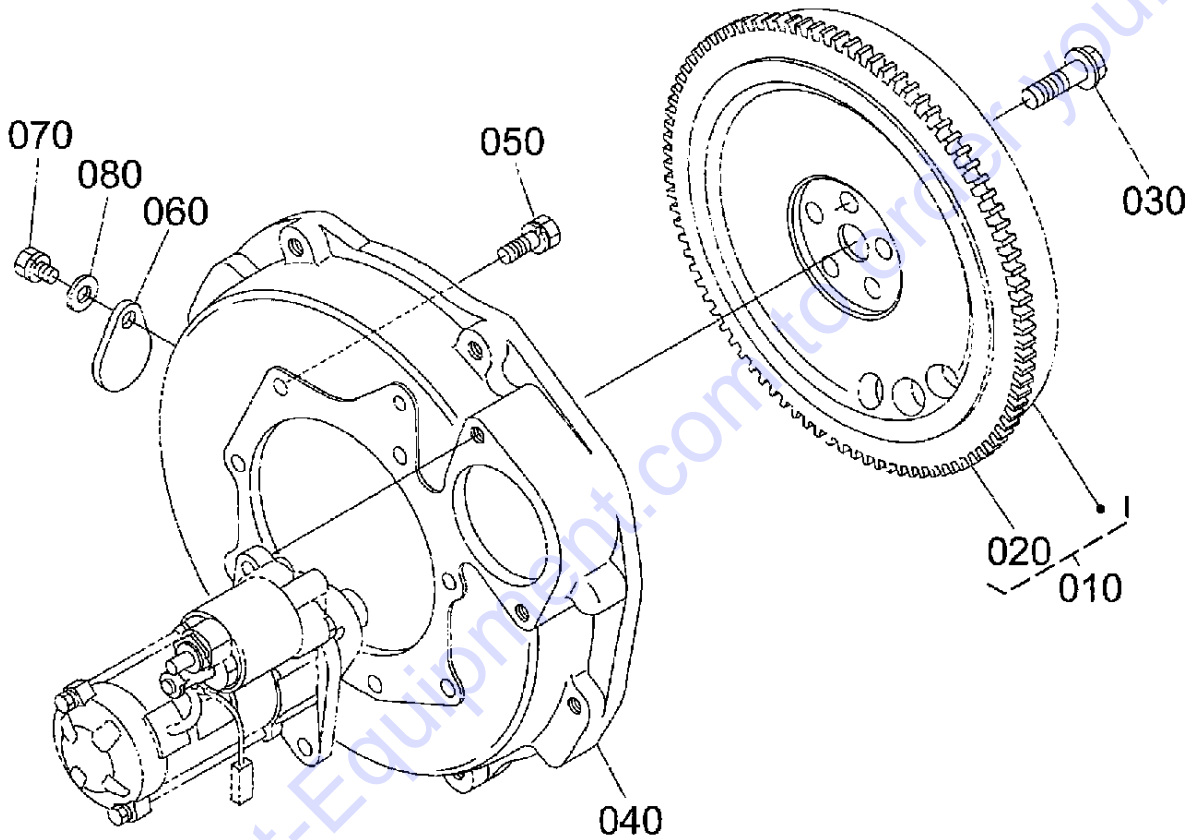
KUBOTA Z482-E4B ENGINE — PISTON AND CRANKSHAFT ASSY.



KUBOTA Z482-E4B ENGINE — PISTON AND CRANKSHAFT ASSY.

<u>NO.</u>	<u>PART NO.</u>	<u>PART NAME</u>	<u>QTY.</u>	<u>REMARKS</u>
010	1J09221110	PISTON, STD	2	
010	1J09221900	PISTON, +0.25MM	2	
020	1J09221050	PISTON RING ASSY., STD	2	
020	1J09221090	PISTON RING ASSY., +0.25MM	2	
030	1687121310	PIN, PISTON	2	
040	1526121330	CIRCLIP, INTERNAL	4	
050	1G68722010	CONNECTING ROD ASSY.....	2	INCLUDES ITEMS W/#
060#	1685121982	BUSH, PISTON PIN	2	
070#	1685122140	BOLT, CONNECTING ROD	4	
080#	1586122314	METAL, CRANKPIN, STD/SET	2	
080	1586122973	METAL, CRANKPIN, -0.20MM/SET	2	
080	1586122983	METAL, CRANKPIN, -0.40MM/SET	2	
085	1685323033	CRANKSHAFT ASSY.....	1	INCLUDES ITEMS W/\$
090\$	1685123013	COMP. CRANKSHAFT.....	1	INCLUDES ITEMS W/%
100\$%	0771503207	BALL	2	
110\$	1921523280	SLEEVE, CRANKSHAFT	1	
120	1584124110	GEAR, CRANK	1	
130	0571200515	KEY, FEATHER	1	
140	1586123474	METAL CRANKSHAFT, STD	1	
140	1586123913	METAL CRANKSHAFT, -0.20MM	1	
140	1586123923	METAL CRANKSHAFT, -0.40MM	1	
160	1584123250	COLLAR, CRANKSHAFT	1	
170	1588123310	SLINGER OIL, CRANKSHAFT	1	
180	0481416220	O-RING	1	

KUBOTA Z482-E4B ENGINE — FLYWHEEL ASSY.



PARTS FINDER

**Search Website
by Part Number**



**Search Manual
Library For Parts
Manual & Lookup Part
Numbers – Purchase
or Request Quote**

Search Manuals

Enter your information to help us find the right parts manual for your machine.

* Brand:

* Model:

* Serial:

* Part Number:

SEARCH

**Can't Find Part or
Manual? Request Help
by Manufacturer,
Model & Description**

Parts Order Form

Please fill in the following information to help us find the right part for your machine.

Manufacturer:	<input type="text"/>
Model:	<input type="text"/>
Description:	<input type="text"/>
Part Number:	<input type="text"/>
Quantity:	<input type="text"/>
Notes:	<input type="text"/>

Submit

Discount-Equipment.com is your online resource for quality parts & equipment.

Florida: **561-964-4949** Outside Florida TOLL FREE: **877-690-3101**

Need parts?

Click on this link: <http://www.discount-equipment.com/category/5443-parts/> and choose one of the options to help get the right parts and equipment you are looking for. Please have the machine model and serial number available in order to help us get you the correct parts. If you don't find the part on the website or on one of the online manuals, please fill out the request form and one of our experienced staff members will get back to you with a quote for the right part that your machine needs.

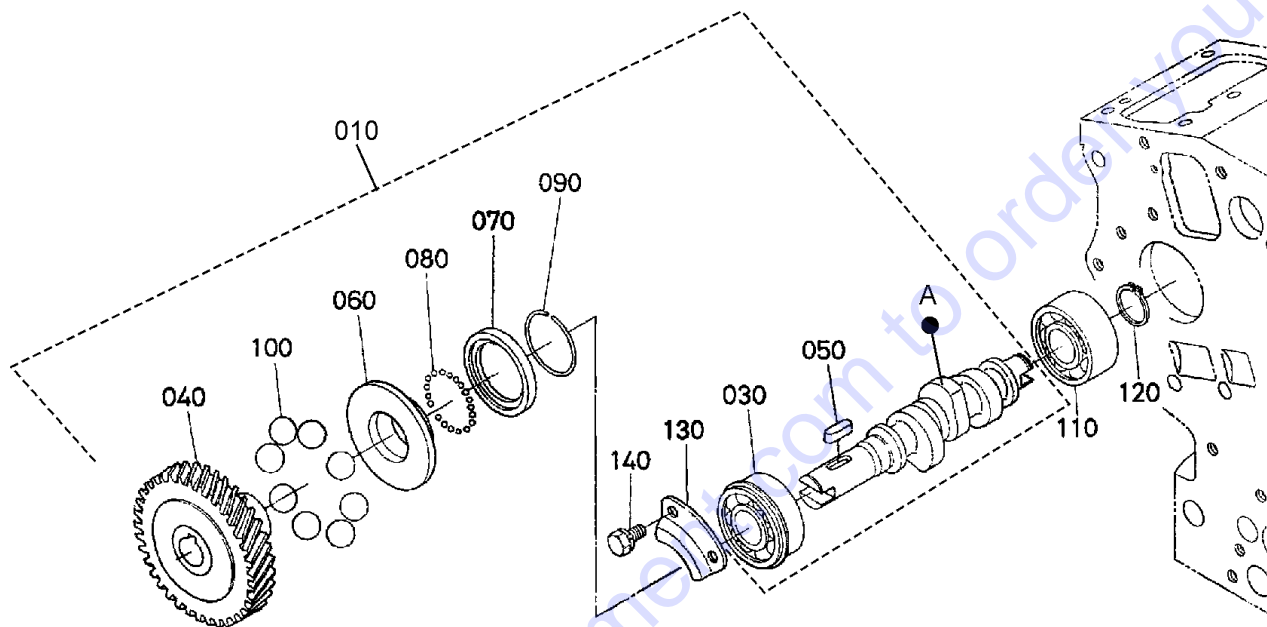
We sell worldwide for the brands: Genie, Terex, JLG, MultiQuip, Mikasa, Essick, Whiteman, Mayco, Toro Stone, Diamond Products, Generac Magnum, Airman, Haulotte, Barreto, Power Blanket, Nifty Lift, Atlas Copco, Chicago Pneumatic, Allmand, Miller Curber, Skyjack, Lull, Skytrak, Tsurumi, Husquvarna Target, Stow, Wacker, Sakai, Mi-T-M, Sullair, Basic, Dynapac, MBW, Weber, Bartell, Bennar Newman, Haulotte, Ditch Runner, Menegotti, Morrison, Contec, Buddy, Crown, Edco, Wyco, Bomag, Laymor, EZ Trench, Bil-Jax, F.S. Curtis, Gehl Pavers, Heli, Honda, ICS/PowerGrit, IHI, Partner, Imer, Clipper, MMD, Koshin, Rice, CH&E, General Equipment, Amida, Coleman, NAC, Gradall, Square Shooter, Kent, Stanley, Tamco, Toku, Hatz, Kohler, Robin, Wisconsin, Northrock, Oztec, Toker TK, Rol-Air, APT, Wylie, Ingersoll Rand / Doosan, Innovatech, Con X, Ammann, Mecalac, Makinex, Smith Surface Prep, Small Line, Wanco, Yanmar

KUBOTA Z482-E4B ENGINE — FLYWHEEL ASSY.

<u>NO.</u>	<u>PART NO.</u>	<u>PART NAME</u>	<u>QTY.</u>	<u>REMARKS</u>
010	1685125022	COMP. FLYWHEEL	1.....	INCLUDES ITEMS W/#
020#	1687163822	GEAR, RING	1	
030	1585225160	BOLT, FLYWHEEL	5	
040	1584704612	HOUSING, FLYWHEEL	1	
050	0112350820	BOLT, SEMS	8	
060	3122014170	COVER	1	
070	0112350814	BOLT, SEMS	1	
080	0401350080	WASHER, FLAT	1	

Go to Discount-Equipment.com to order your parts

KUBOTA Z482-E4B ENGINE — FUEL CAMSHAFT AND GOV. SHAFT ASSY.

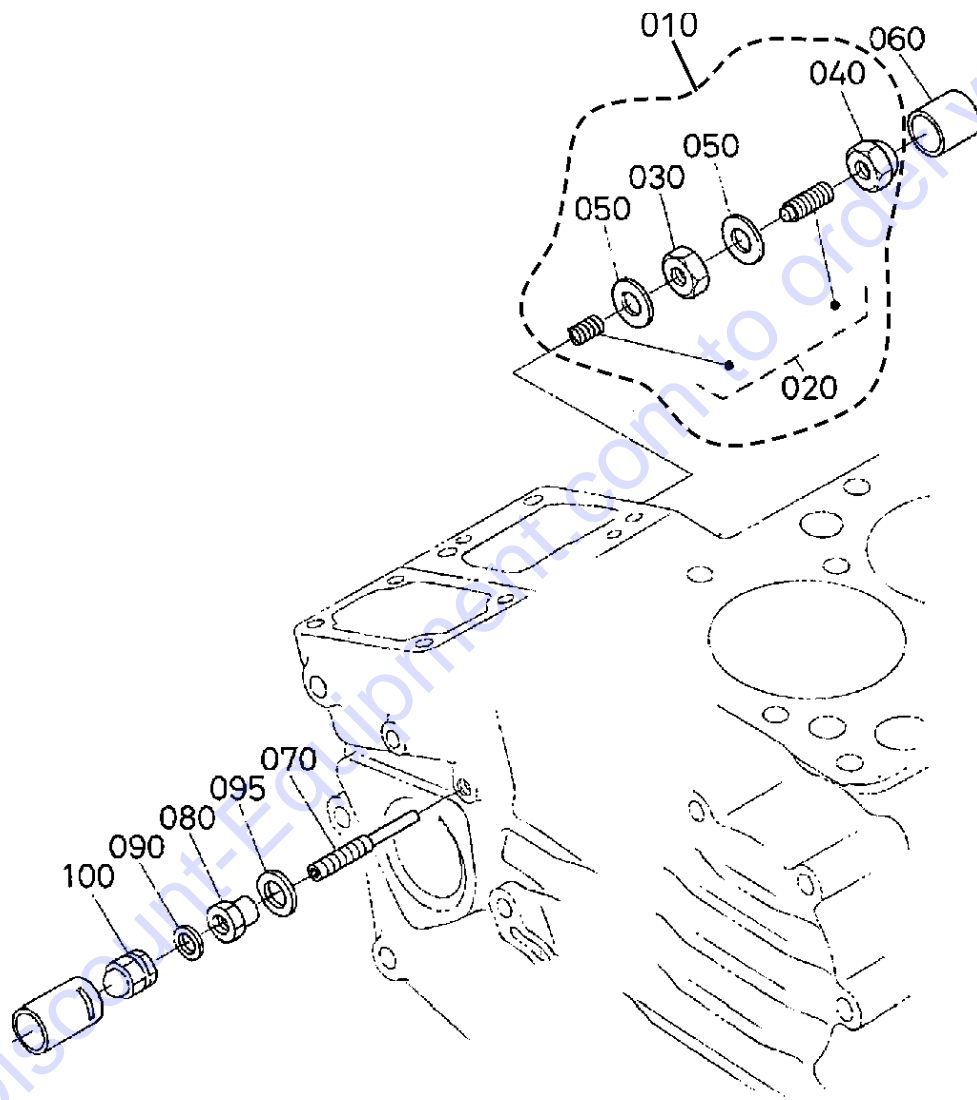


KUBOTA Z482-E4B ENGINE — FUEL CAMSHAFT AND GOV. SHAFT ASSY.

<u>NO.</u>	<u>PART NO.</u>	<u>PART NAME</u>	<u>QTY.</u>	<u>REMARKS</u>
010	1G46016020	CAMSHAFT, FUEL ASSY.	1.....	INCLUDES ITEMS W/\$
030\$	0815306203	BEARING, BALL	1	
040\$	1685151150	GEAR, INJECTION PUMP	1	
050\$	0571200515	KEY, FEATHER	1	
060\$	1584155452	SLEEVE, GOVERNOR	1	
070\$	1584155692	CASE, GOVERNOR BALL	1	
080\$	0771500801	BALL	32	
090\$	1526155470	CIRCLIP, GOVERNOR SLEEVE	1	
100\$	0771503217	BALL	8	
110	1687197300	BEARING, BALL	1	
120	0461200170	CIR-CLIP, EXTERNAL	1	
130	1584116320	STOPPER, FUEL CAMSHAFT	1	
140	0102350612	BOLT, SEMS	2	

Go to Discount-Equipment.com to order your parts

KUBOTA Z482-E4B ENGINE — IDLE APPARATUS ASSY.

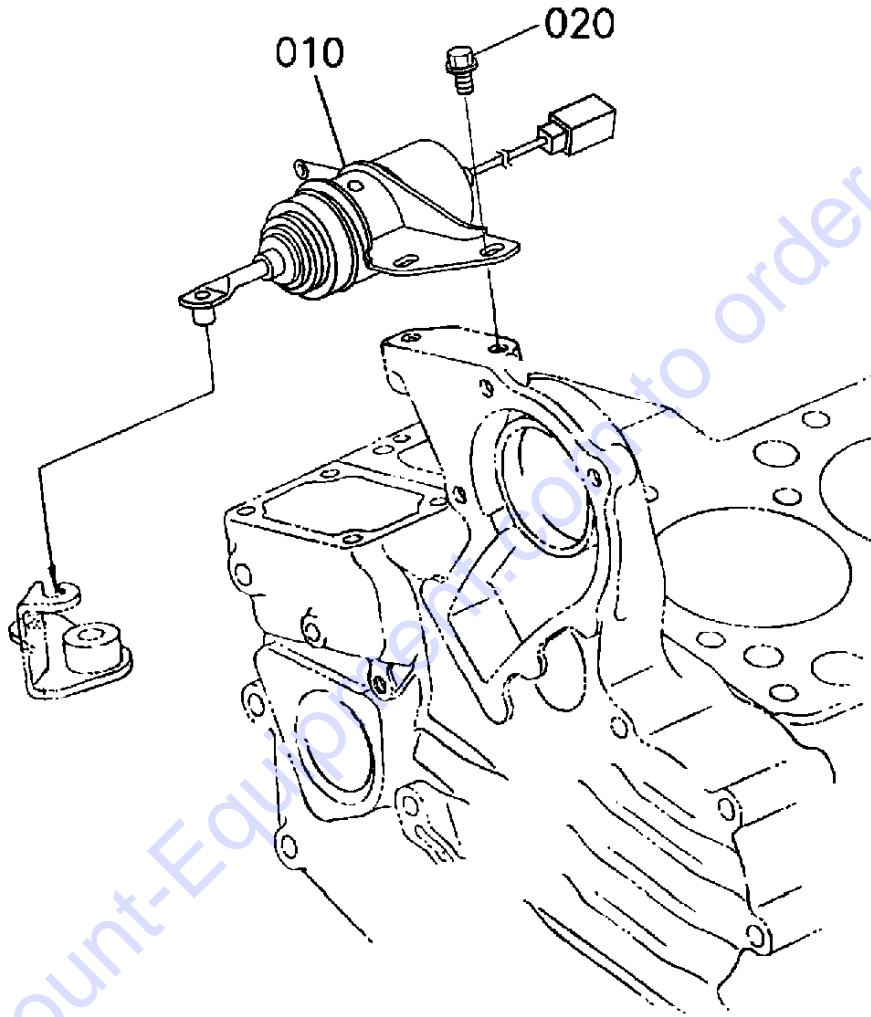


KUBOTA Z482-E4B ENGINE — IDLE APPARATUS ASSY.

<u>NO.</u>	<u>PART NO.</u>	<u>PART NAME</u>	<u>QTY.</u>	<u>REMARKS</u>
010	1584154092	IDLE APPARATUS ASSY.....	1.....	INCLUDES ITEMS W/#
020#	1584154100	BOLT, ADJUSTMENT ASSY.....	1.....	INCLUDES ITEMS W/\$
030#\$	1526192020	NUT	1	
040#	1584154220	NUT, CAP	1	
050#\$	1502133660	GASKET	2	
060	1584154270	CAP	1	
070	1584154123	BOLT, ADJUSTING	1	
080	1G03154210	NUT, LOCK	1	
090	1560196650	GASKET	1	
095	1G02196650	GASKET	1	
100	1584192330	NUT, CAP	1	

Go to Discount-Equipment.com to order your parts

KUBOTA Z482-E4B ENGINE — STOP SOLENOID ASSY.

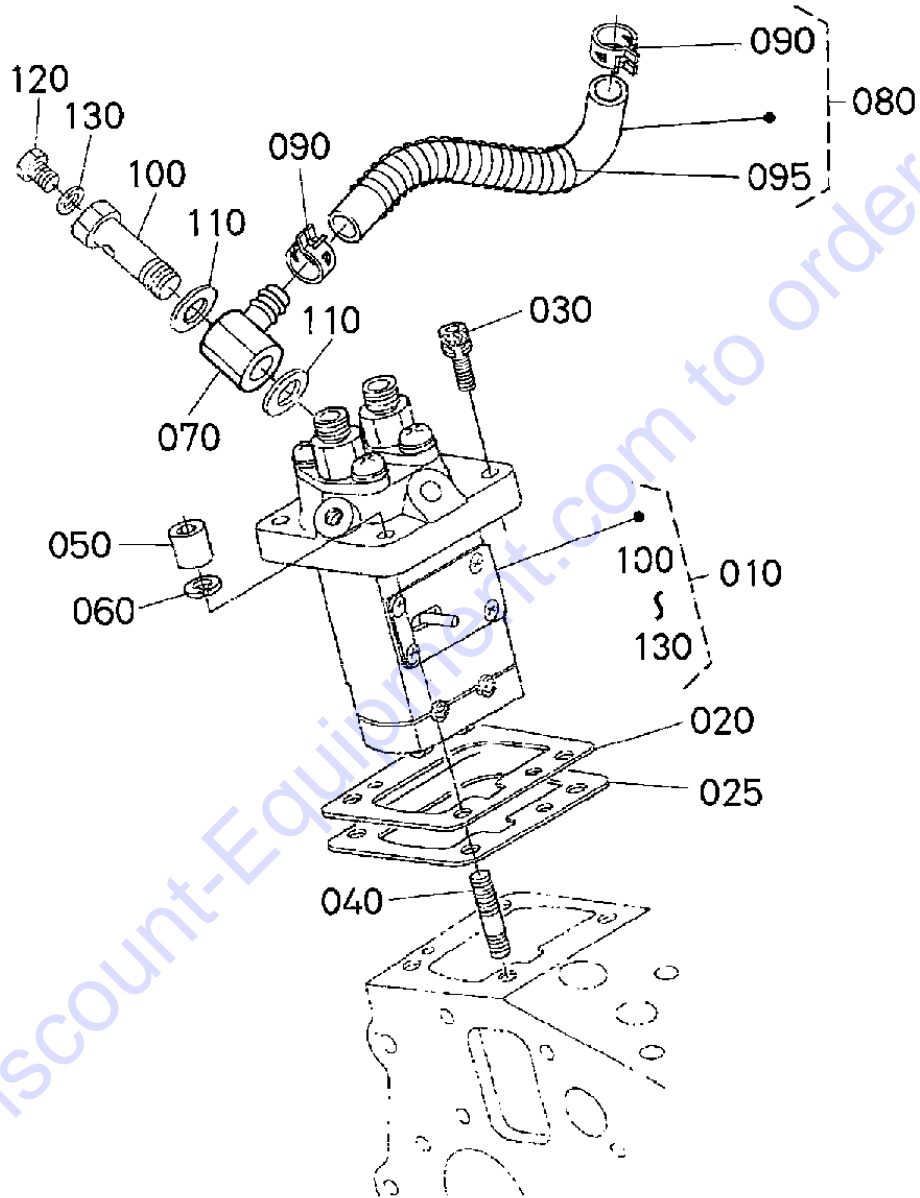


KUBOTA Z482-E4B ENGINE — STOP SOLENOID ASSY.

<u>NO.</u>	<u>PART NO.</u>	<u>PART NAME</u>	<u>QTY.</u>	<u>REMARKS</u>
010	1685160014	SOLENOID, STOP	1	
020	0175450612	BOLT, FLANGE	2	

Go to Discount-Equipment.com to order your parts

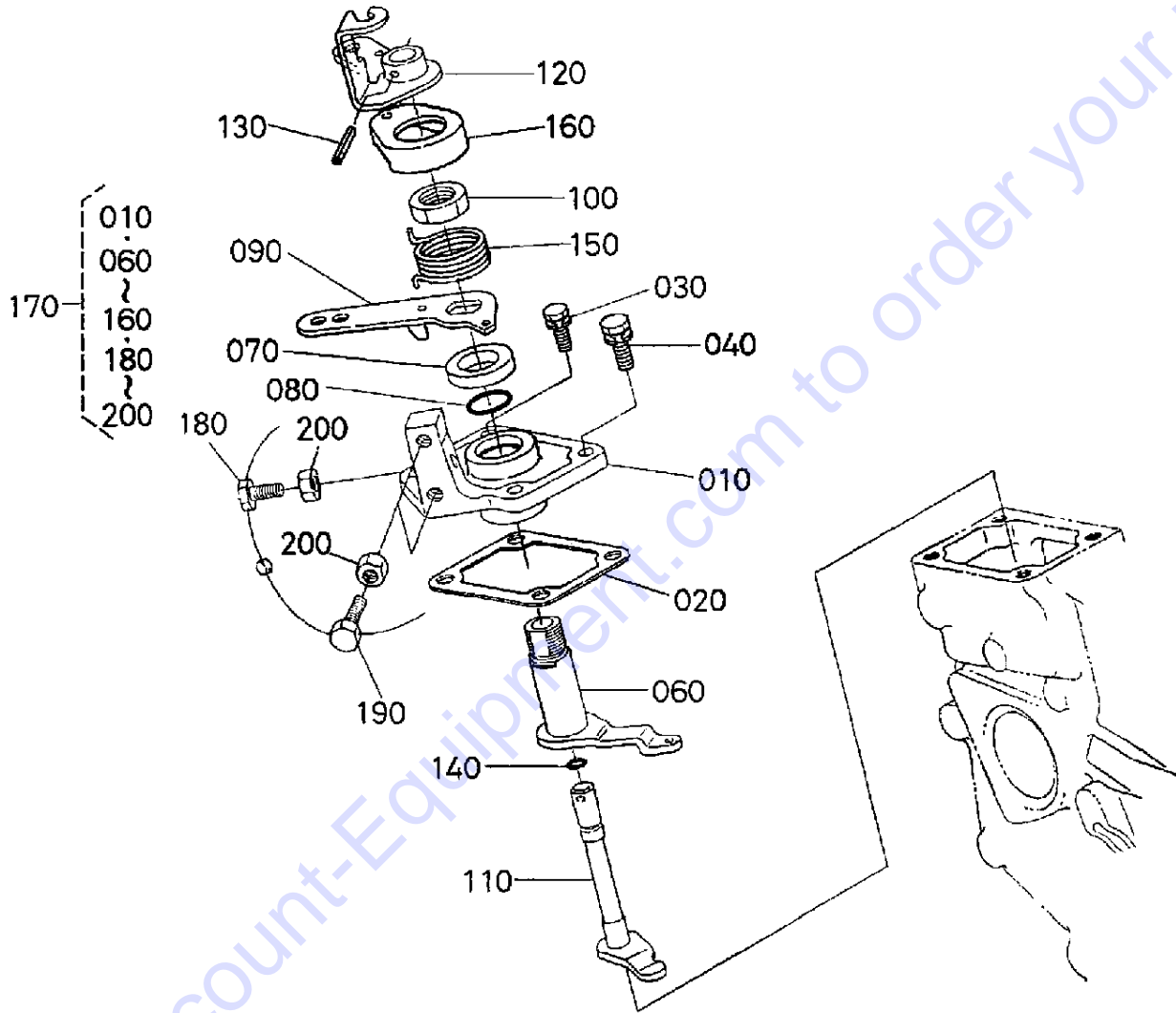
KUBOTA Z482-E4B ENGINE — INJECTION PUMP ASSY.



KUBOTA Z482-E4B ENGINE — INJECTION PUMP ASSY.

<u>NO.</u>	<u>PART NO.</u>	<u>PART NAME</u>	<u>QTY.</u>	<u>REMARKS</u>
010	1754851014	PUMP ASSY., INJECTION	1.....	INCLUDES ITEMS W/#
020	1G68952200	SHIM, INJECTION PUMP, 0.175MM	1	
020	1600152090	SHIM, INJECTION PUMP, 0.200MM	1	
020	1600152110	SHIM, INJECTION PUMP, 0.250MM	1	
025	1600152120	SHIM, INJECTION PUMP, 0.300MM	1	
025	1G68952160	SHIM, INJECTION PUMP, 0.350MM	1	
030	1687191060	SCREW, HEX SOCKET HEAD CAP	3	
040	1584191500	STUD	1	
050	1584192320	NUT, CAP	1	
060	0451250060	WASHER, SPRING LOCK	1	
070	1584195680	JOINT	1	
080	1526342010	PIPE, FUEL ASSY.....	1.....	INCLUDES ITEMS W/\$
090\$	1491142750	CLIP, PIPE	2	
095\$	6659154250	SPRING, PIPE PROTECT	1	
100#	1584151320	SCREW, ROOF CANOPY	1	
110#	1584196650	GASKET	2	
120#	1584151350	SCREW, AIR BLEEDER	1	
130#	1584196660	GASKET	1	

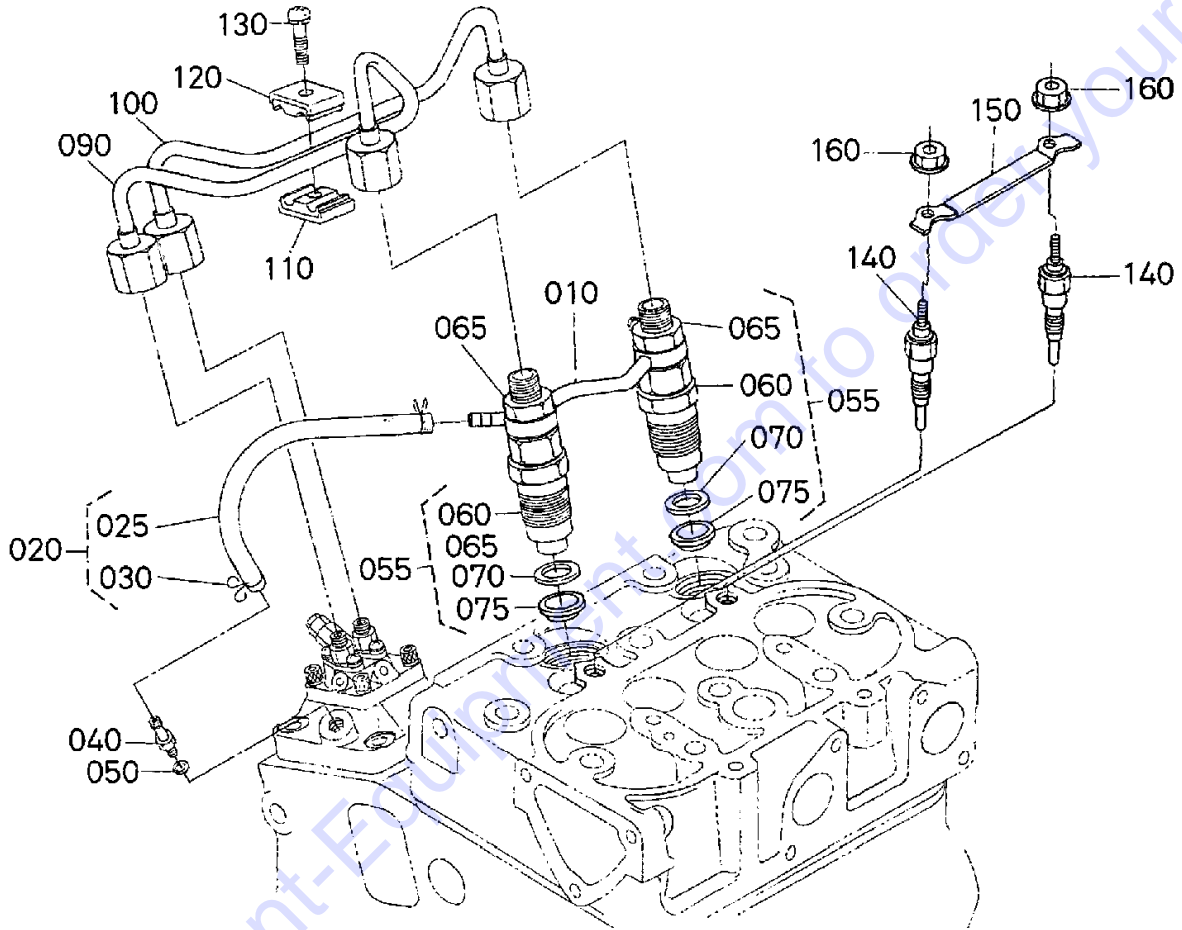
KUBOTA Z482-E4B ENGINE — SPEED CONTROL PLATE ASSY.



KUBOTA Z482-E4B ENGINE — SPEED CONTROL PLATE ASSY.

NO.	PART NO.	PART NAME	QTY.	REMARKS
010\$	1584157112	PLATE, SPEED CONTROL	1	
020	1584157212	GASKET, CONTROL PLATE	1	
030	0175450616	BOLT, FLANGE	2	
040	1687191050	BOLT	2	
060\$	1584156112	LEVER, GOVERNOR	1	
070\$	1928057240	COLLAR	1	
080\$	0481410160	O-RING	1	
090\$	1G63957150	LEVER, SPEED CONTROL	1	
100\$	1686692010	NUT, SPEED CONTROL	2	
110\$	1687857742	SHAFT, LEVER	1	
120\$	1685157724	LEVER, ENGINE STOP	1	
130\$	0541100314	PIN, SPRING	1	
140\$	0481410070	O-RING	1	
150\$	1687857920	SPRING, RETURN	1	
160\$	1686657302	CAP	1	
170	1756157013	COMP. PLATE, SPEED CONTROL.....	1	INCLUDES ITEMS W/\$
180\$	1920291010	BOLT	1	
190\$	1920291010	BOLT	2	
200\$	0205650060	HEX, NUT	3	

KUBOTA Z482-E4B ENGINE — NOZZLE HOLDER AND GLOW PLUG ASSY.

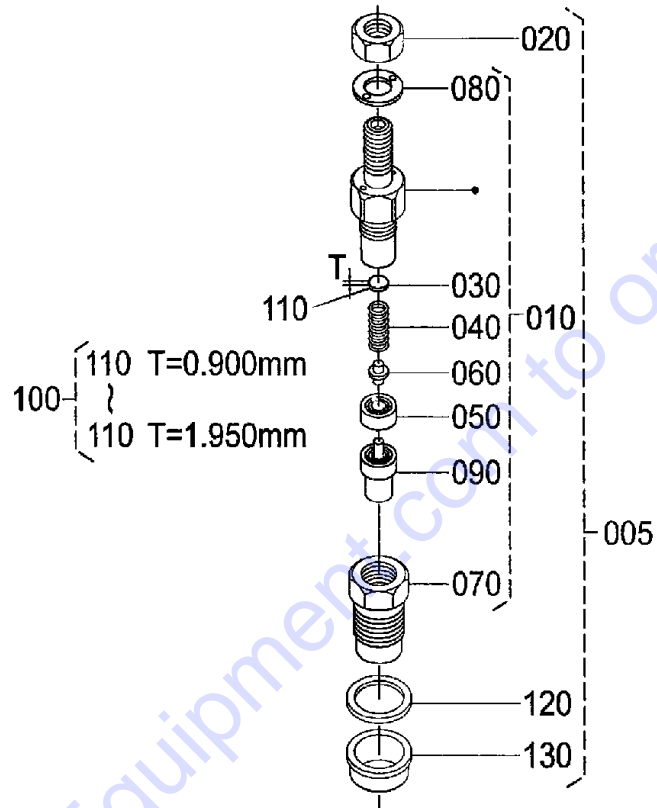


KUBOTA Z482-E4B ENGINE — NOZZLE HOLDER AND GLOW PLUG ASSY.

NO.	PART NO.	PART NAME	QTY.	REMARKS
010	1585242502	PIPE ASSY., OVER FLOW	1	
020	1584142500	PIPE ASSY., OVER FLOW	1	INCLUDES ITEMS W/#
025#	1584142520	PIPE, FUEL OVER FLOW	1	
030#	1497142750	CLIP, PIPE	2	
040	1584151360	SCREW, AIR BLEEDER	1	
050	1560196650	GASKET	1	
055	1687153904	HOLDER, NOZZLE KIT	2	INCLUDES ITEMS W/\$
060\$	1687153002	HOLDER, NOZZLE ASSY.	2	
065\$	1G82692032	NUT	2	
070\$	1584153622	GASKET	2	
075\$	1907753650	SEAL, HEAT	2	
090	1G68653710	PIPE, INJECTION	1	
100	1G68653720	PIPE, INJECTION	1	
110	1584153850	CLAMP, PIPE	1	
120	1584153860	CLAMP, PIPE	1	
130	0302450520	SCREW, SEMS PAN HEAD	1	
140	1G67965512	PLUG, GLOW	2	
150	1685165560	CORD, GLOW PLUG	1	
160	0276150040	NUT, FLANGE	2	

Go to Discount-Equipment.com to order your parts

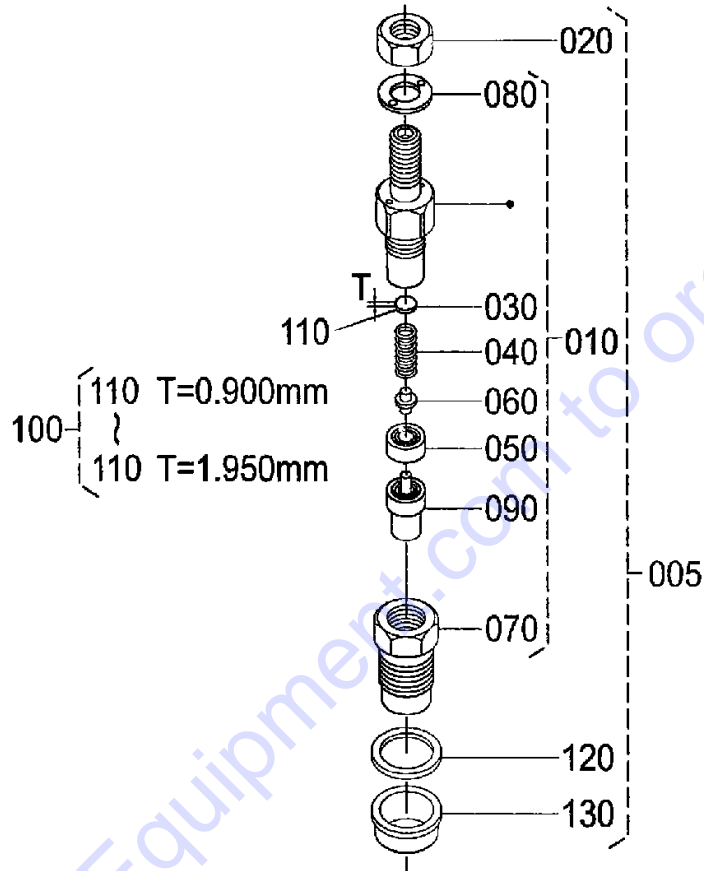
KUBOTA Z482-E4B ENGINE — NOZZLE HOLDER COMP. ASSY.



KUBOTA Z482-E4B ENGINE — NOZZLE HOLDER COMP. ASSY.

NO.	PART NO.	PART NAME	QTY.	REMARKS
005	1687153904	HOLDER, NOZZLE KIT	2.....	INCLUDES ITEMS W/#
010#	1687153002	HOLDER, NOZZLE ASSY.....	2.....	INCLUDES ITEMS W/\$
020#	1G82692032	NUT	2	
030#\$	1603253230	WASHER, ADJUSTING	2	
040#\$	1603253170	SPRING, NOZZLE	2	
050#\$	1603253350	SPACER, DISTANCE	2	
060#\$	1603253160	ROD, PUSH	2	
070#\$	1687153280	NUT, NOZZLE	2	
080#\$	1603294040	WASHER, FLAT	2	
090#\$	1G96253610	NOZZLE-PIECE	2	
100	1584198100	WASHER, ADJUSTING ASSY.	2.....	INCLUDES ITEMS W/%
110%	1584153230	WASHER, ADJUSTING	2.....	0.900MM
110%	1584198510	WASHER, ADJUSTING	2.....	0.925MM
110%	1584198520	WASHER, ADJUSTING	2.....	0.950MM
110%	1584198530	WASHER, ADJUSTING	2.....	0.975MM
110%	1584198540	WASHER, ADJUSTING	2.....	1.000MM
110%	1584198550	WASHER, ADJUSTING	2.....	1.025MM
110%	1584198560	WASHER, ADJUSTING	2.....	1.050MM
110%	1584198570	WASHER, ADJUSTING	2.....	1.075MM
110%	1584198580	WASHER, ADJUSTING	2.....	1.100MM
110%	1584198590	WASHER, ADJUSTING	2.....	1.125MM
110%	1584198600	WASHER, ADJUSTING	2.....	1.150MM
110%	1584198610	WASHER, ADJUSTING	2.....	1.175MM
110%	1584198620	WASHER, ADJUSTING	2.....	1.200MM
110%	1584198630	WASHER, ADJUSTING	2.....	1.225MM
110%	1584198640	WASHER, ADJUSTING	2.....	1.250MM
110%	1584198650	WASHER, ADJUSTING	2.....	1.275MM
110%	1584198660	WASHER, ADJUSTING	2.....	1.300MM
110%	1584198670	WASHER, ADJUSTING	2.....	1.325MM
110%	1584198680	WASHER, ADJUSTING	2.....	1.350MM
110%	1584198690	WASHER, ADJUSTING	2.....	1.375MM
110%	1584198700	WASHER, ADJUSTING	2.....	1.400MM
110%	1584198710	WASHER, ADJUSTING	2.....	1.425MM
110%	1584198720	WASHER, ADJUSTING	2.....	1.450MM
110%	1584198730	WASHER, ADJUSTING	2.....	1.475MM
110%	1584198740	WASHER, ADJUSTING	2.....	1.500MM
110%	1584198750	WASHER, ADJUSTING	2.....	1.525MM

KUBOTA Z482-E4B ENGINE — NOZ. HOLD. COM. ASSY. CONT'D.

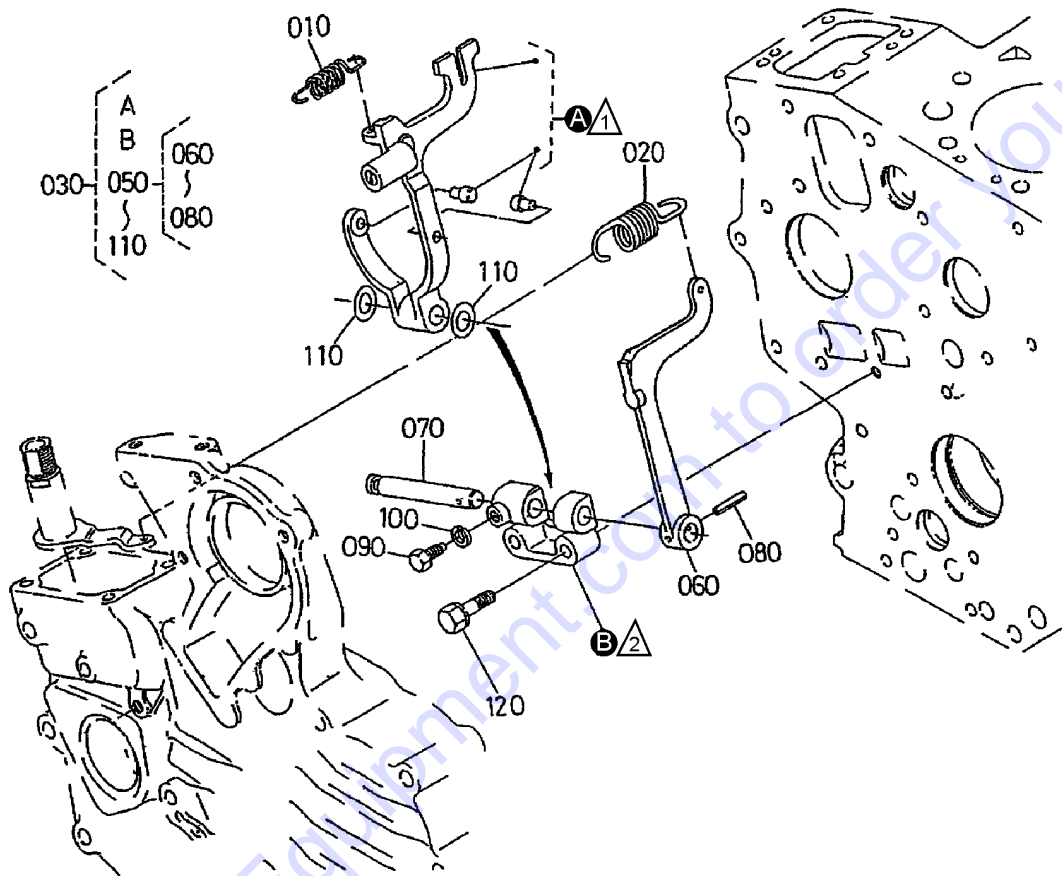


KUBOTA Z482-E4B ENGINE — NOZ. HOLD. COM. ASSY. CONT'D.

<u>NO.</u>	<u>PART NO.</u>	<u>PART NAME</u>	<u>QTY.</u>	<u>REMARKS</u>
110%	1584198760	WASHER, ADJUSTING	2.....	1.550MM
110%	1584198770	WASHER, ADJUSTING	2.....	1.575MM
110%	1584198780	WASHER, ADJUSTING	2.....	1.600MM
110%	1584198790	WASHER, ADJUSTING	2.....	1.625MM
110%	1584198800	WASHER, ADJUSTING	2.....	1.650MM
110%	1584198810	WASHER, ADJUSTING	2.....	1.675MM
110%	1584198820	WASHER, ADJUSTING	2.....	1.700MM
110%	1584198830	WASHER, ADJUSTING	2.....	1.725MM
110%	1584198840	WASHER, ADJUSTING	2.....	1.750MM
110%	1584198850	WASHER, ADJUSTING	2.....	1.775MM
110%	1584198860	WASHER, ADJUSTING	2.....	1.800MM
110%	1584198870	WASHER, ADJUSTING	2.....	1.825MM
110%	1584198880	WASHER, ADJUSTING	2.....	1.850MM
110%	1584198890	WASHER, ADJUSTING	2.....	1.875MM
110%	1584198900	WASHER, ADJUSTING	2.....	1.900MM
110%	1584198910	WASHER, ADJUSTING	2.....	1.925MM
110%	1584198920	WASHER, ADJUSTING	2.....	1.950MM
120#	1584153622	GASKET	2	
130#	1907753650	SEAL, HEAT	2	

Go to Discount-Equipment.com to order your parts

KUBOTA Z482-E4B ENGINE — FORK LEVER GOV. ASSY.



NOTES

△1 FORK LEVER ITEM A NOT SOLD SEPARATELY.

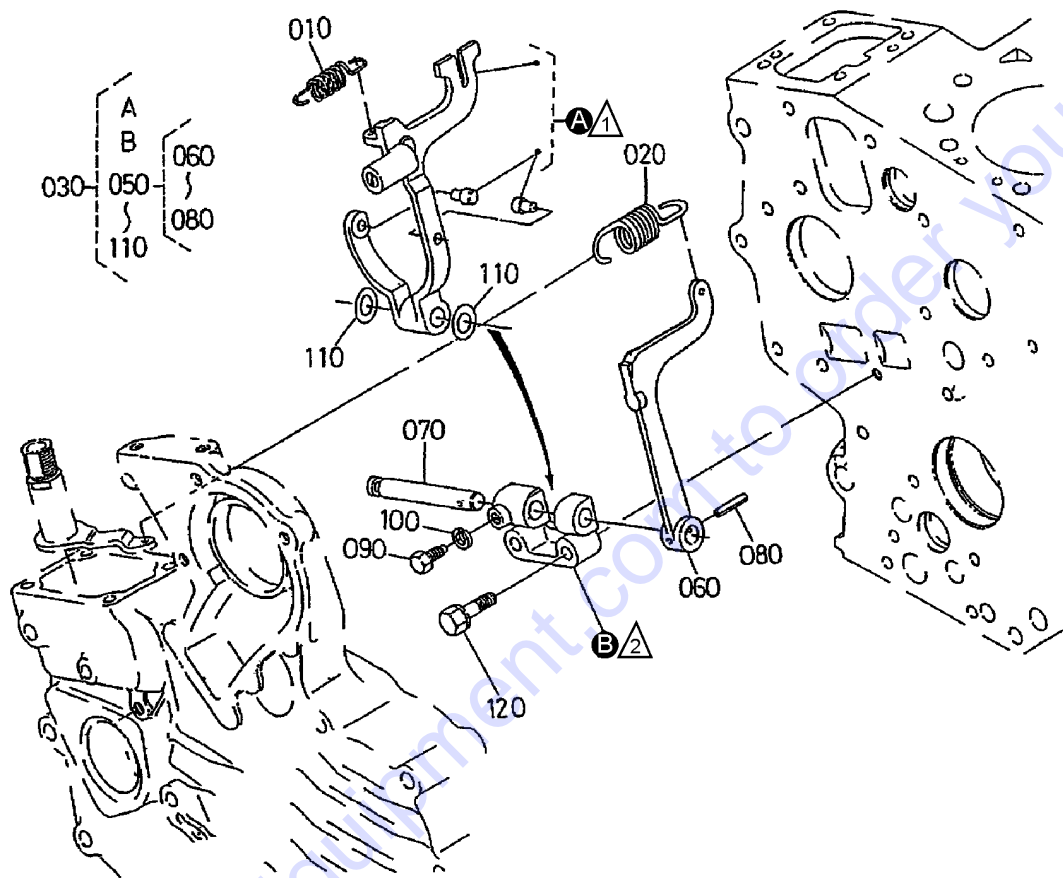
△2 HOLDER, FORK LEVER ITEM B NOT SOLD SEPARATELY.

KUBOTA Z482-E4B ENGINE — FORK LEVER GOV. ASSY.

<u>NO.</u>	<u>PART NO.</u>	<u>PART NAME</u>	<u>QTY.</u>	<u>REMARKS</u>
010	1584156480	SPRING, START	1	
020	1754956410	SPRING, GOVERNOR	1	
030	1754856055	LEVER, FORK ASSY.....	1	INCLUDES ITEMS W/#
A#		LEVER, FORK COMP	1	NOT SOLD SEPARATELY
B#		HOLDER, FORK LEVER	1	NOT SOLD SEPARATELY
050#	1584156060	LEVER, FORK ASSY.....	1	INCLUDES ITEMS W/\$
060#\$	1584156130	LEVER, FORK	1	
070#\$	1584156150	SHAFT, FORK LEVER	1	
080#\$	0541100318	PIN, SPRING	1	
090#	1526166410	BOLT	1	
100#	0451250050	WASHER, SPRING LOCK	1	
110#	1666255620	WASHER, FLAT	2	
120	0102350635	BOLT, SEMS	2	

Go to Discount-Equipment.com to order your parts

KUBOTA Z482-E4B ENGINE — FORK LEVER GOV. ASSY.



NOTES

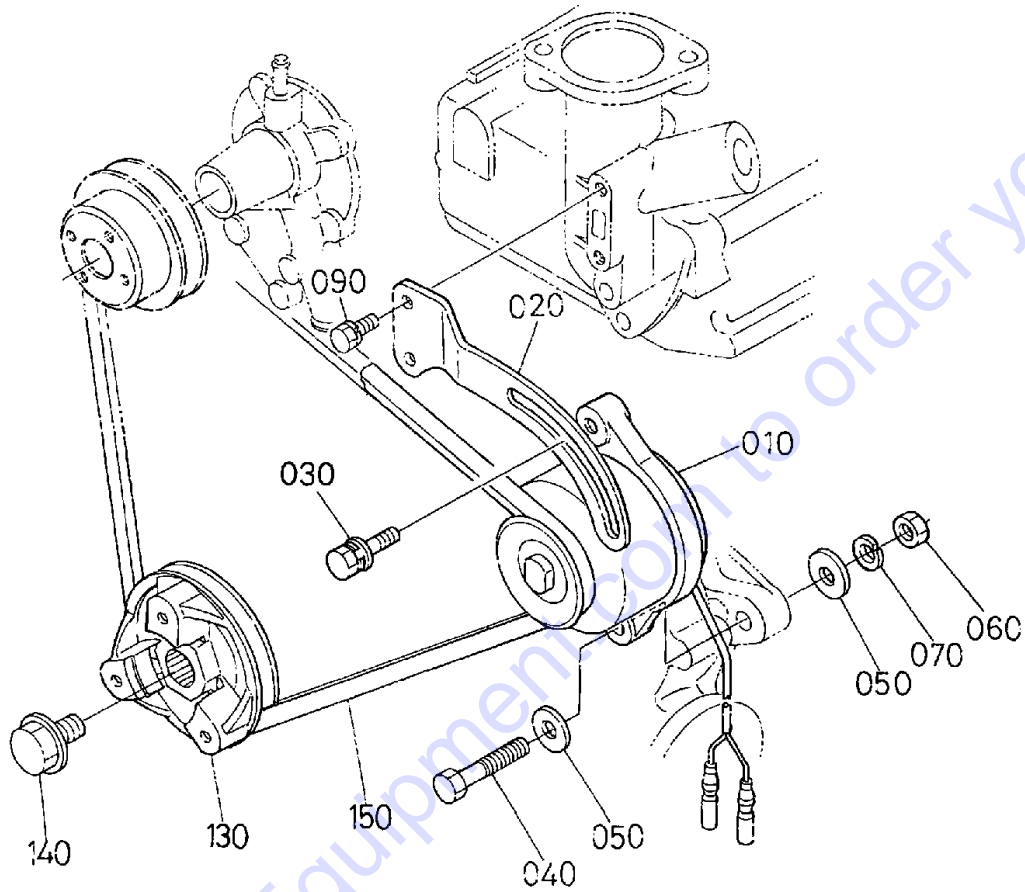
- △ 1 FORK LEVER ITEM A NOT SOLD SEPARATELY.
- △ 2 HOLDER, FORK LEVER ITEM B NOT SOLD SEPARATELY.

KUBOTA Z482-E4B ENGINE — FORK LEVER GOV. ASSY.

<u>NO.</u>	<u>PART NO.</u>	<u>PART NAME</u>	<u>QTY.</u>	<u>REMARKS</u>
010	1584156480	SPRING, START	1	
020	1754956410	SPRING, GOVERNOR	1	
030	1754856055	LEVER, FORK ASSY.....	1	INCLUDES ITEMS W/#
A#		LEVER, FORK COMP.....	1	NOT SOLD SEPARATELY
B#		HOLDER, FORK LEVER.....	1	NOT SOLD SEPARATELY
050#	1584156060	LEVER, FORK ASSY.....	1	INCLUDES ITEMS W/\$
060#\$	1584156130	LEVER, FORK	1	
070#\$	1584156150	SHAFT, FORK LEVER	1	
080#\$	0541100318	PIN, SPRING	1	
090#	1526166410	BOLT	1	
100#	0451250050	WASHER, SPRING LOCK	1	
110#	1666255620	WASHER, FLAT	2	
120	0102350635	BOLT, SEMS	2	

Go to Discount-Equipment.com to order your parts

KUBOTA Z482-E4B ENGINE — DYNAMO AND PULLEY ASSY.

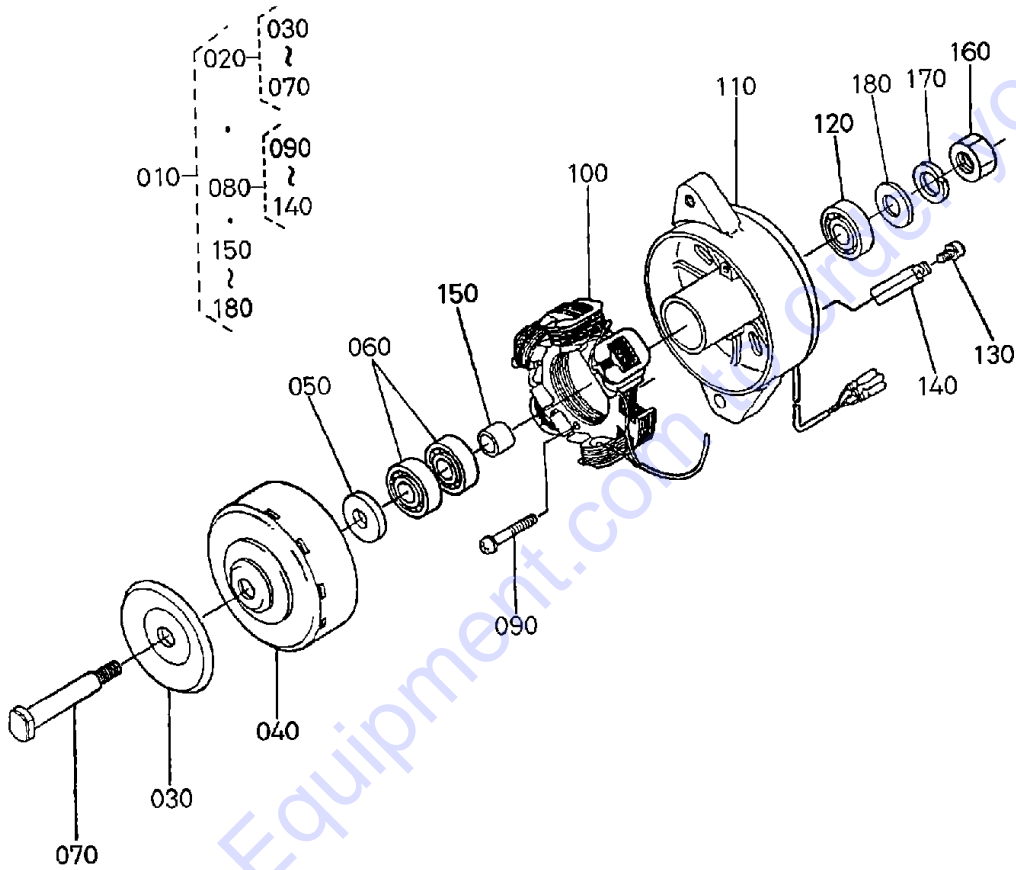


KUBOTA Z482-E4B ENGINE — DYNAMO AND PULLEY ASSY.

<u>NO.</u>	<u>PART NO.</u>	<u>PART NAME</u>	<u>QTY.</u>	<u>REMARKS</u>
010	1753164012	DYNAMO ASSY.	1	
020	1259964420	STAY, DYNAMO	1	
030	1687191030	BOLT	1	
040	0115350855	HEX, BOLT	1	
050	0401350080	WASHER, FLAT	2	
060	0215650080	HEX, NUT	1	
070	0451250080	WASHER, SPRING LOCK	1	
090	0102350616	BOLT, SEMS	2	
130	1685174280	PULLEY, FAN DRIVE	1	
140	1588191030	BOLT	1	
150	1980572530	BELT, FAN	1	

Go to Discount-Equipment.com to order your parts

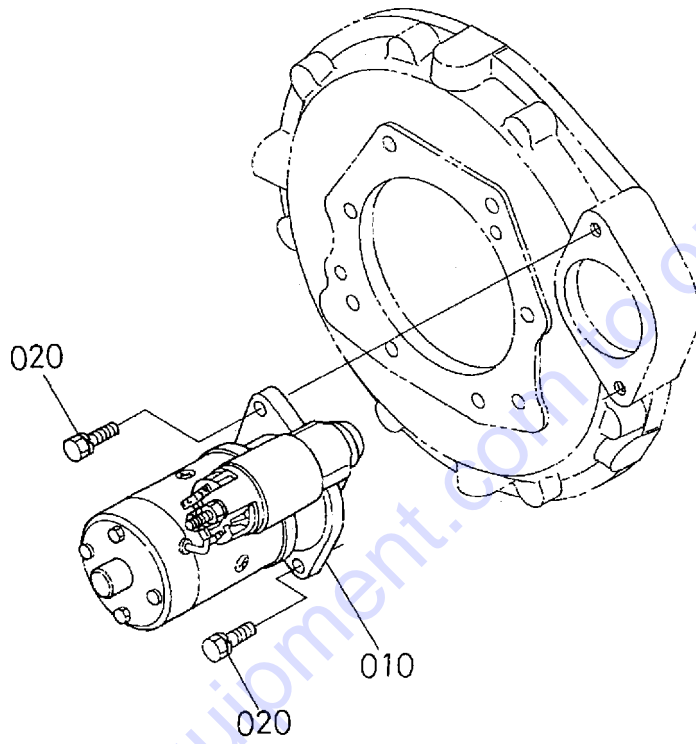
KUBOTA Z482-E4B ENGINE — DYNAMO COMPONENTS ASSY.



KUBOTA Z482-E4B ENGINE — DYNAMO COMPONENTS ASSY.

<u>NO.</u>	<u>PART NO.</u>	<u>PART NAME</u>	<u>QTY.</u>	<u>REMARKS</u>
010	1753164012	DYNAMO ASSY.	1.....	INCLUDES ITEMS W/#
020#	1553264120	COMP. FLYWHEEL.....	1.....	INCLUDES ITEMS W/\$
030#\$	1553164110	PULLEY	1	
040#\$	1553264040	FLYWHEEL	1	
050#\$	6C04082860	COLLAR	1	
060#\$	1553174180	BEARING, BALL	2	
070#\$	1553274140	SHAFT, FAN	1	
080#	1553264360	COMP. STATOR	1.....	INCLUDES ITEMS W/%
090#%	1526193010	SCREW, ROUND HEAD	2	
100#%	1553164292	STATOR	1	
110#%	1553264070	PLATE	1	
120#%	1553174180	BEARING, BALL	1	
130#%	1553193010	SCREW, ROUND HEAD	1	
140#%	1526164190	CLAMP, CORD	1	
150#	1526164150	COLLAR	1	
160#	1526192030	NUT	1	
170#	1526194070	WASHER, LOCK	1	
180#	1526194020	WASHER, FLAT	1	

KUBOTA Z482-E4B ENGINE — STARTER ASSY.

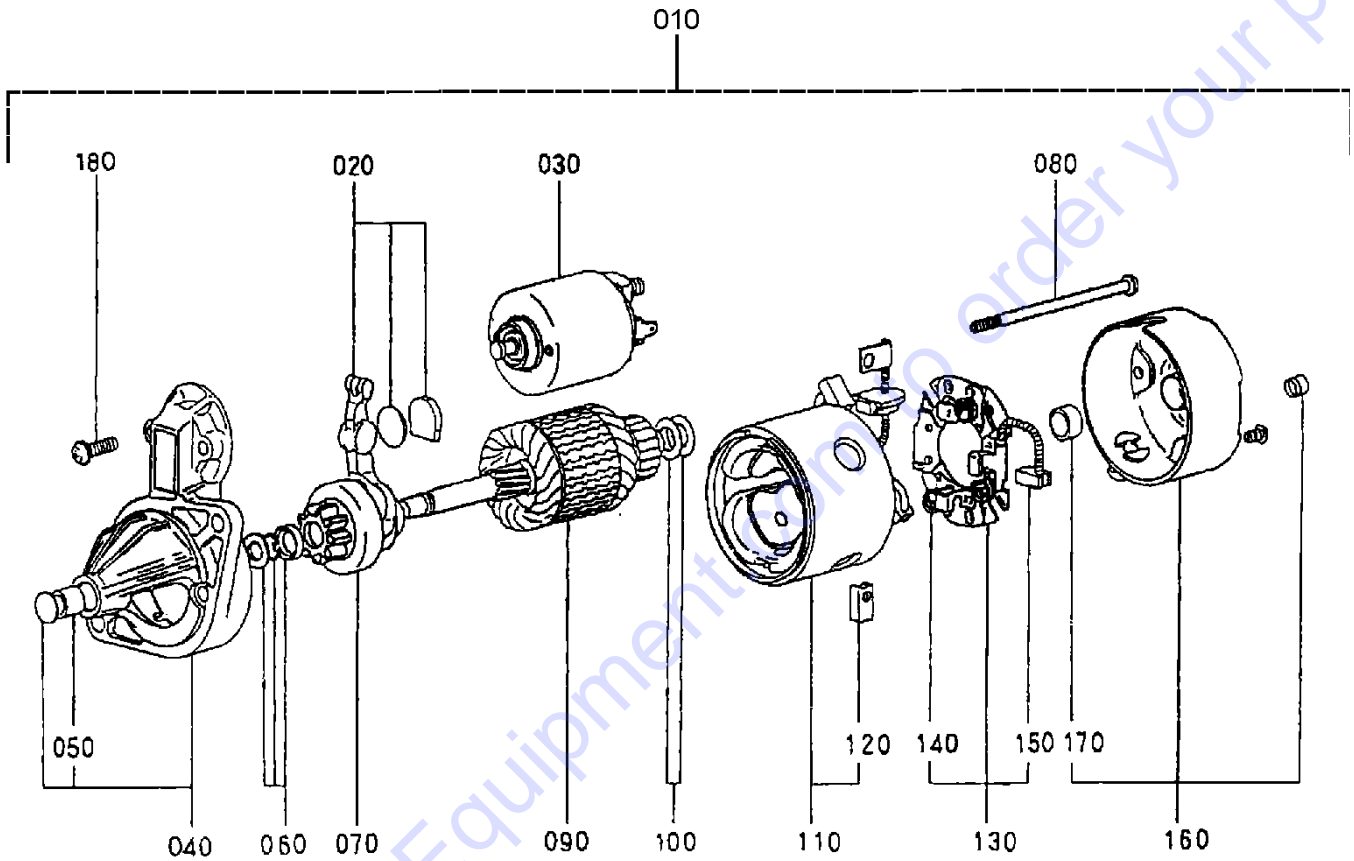


KUBOTA Z482-E4B ENGINE — STARTER ASSY.

<u>NO.</u>	<u>PART NO.</u>	<u>PART NAME</u>	<u>QTY.</u>	<u>REMARKS</u>
010	1983763014	STARTER ASSY.	1	
020	0112350825	BOLT, SEMS	2	

Go to Discount-Equipment.com to order your parts

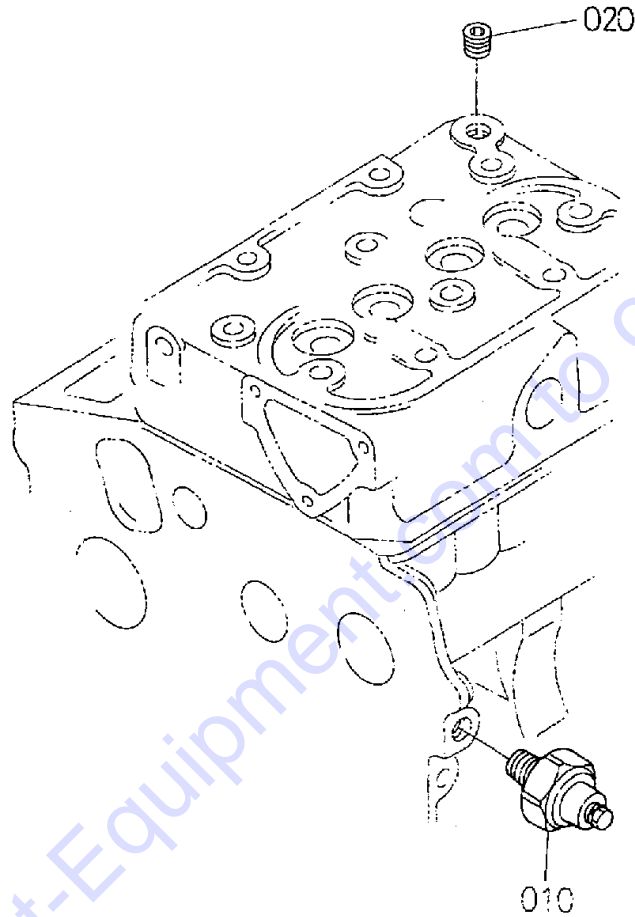
KUBOTA Z482-E4B ENGINE — STARTER COMPONENTS ASSY.



KUBOTA Z482-E4B ENGINE — STARTER COMPONENTS ASSY.

NO.	PART NO.	PART NAME	QTY.	REMARKS
010	1983763014	STARTER ASSY.....	1.....	INCLUDES ITEMS W/#
020#	1983763050	LEVER, DRIVE	1	
030#	1585263023	SWITCH, MAGNETIC	1	
040#	1983763030	FRAME, DRIVE END.....	1.....	INCLUDES ITEMS W/\$
050#\$	1585263240	BUSHING	1	
060#	1983763150	STOPPER	1	
070#	1983763040	CLUTCH, OVER RUNNING	1	
080#	1983763320	BOLT	2	
090#	1983763070	ARMATURE	1	
100#	1585263410	WASHER, ADJUSTING	1	
110#	1983763082	YOKE	1.....	INCLUDES ITEMS W/%
120#%	1585263360	BRUSH	2	
130#	1585263380	HOLDER, BRUSH	1.....	INCLUDES ITEMS W/@
140#@	1585263390	SPRING, BRUSH	3	
150#@	1585263370	BRUSH	1	
160#	1983763200	FRAME, END.....	1.....	INCLUDES ITEMS W/◆
170#◆	1585263250	BUSH	1	
180#	1585293310	SCREW, PAN HEAD	1	

KUBOTA Z482-E4B ENGINE — OIL SWITCH PLUG ASSY.

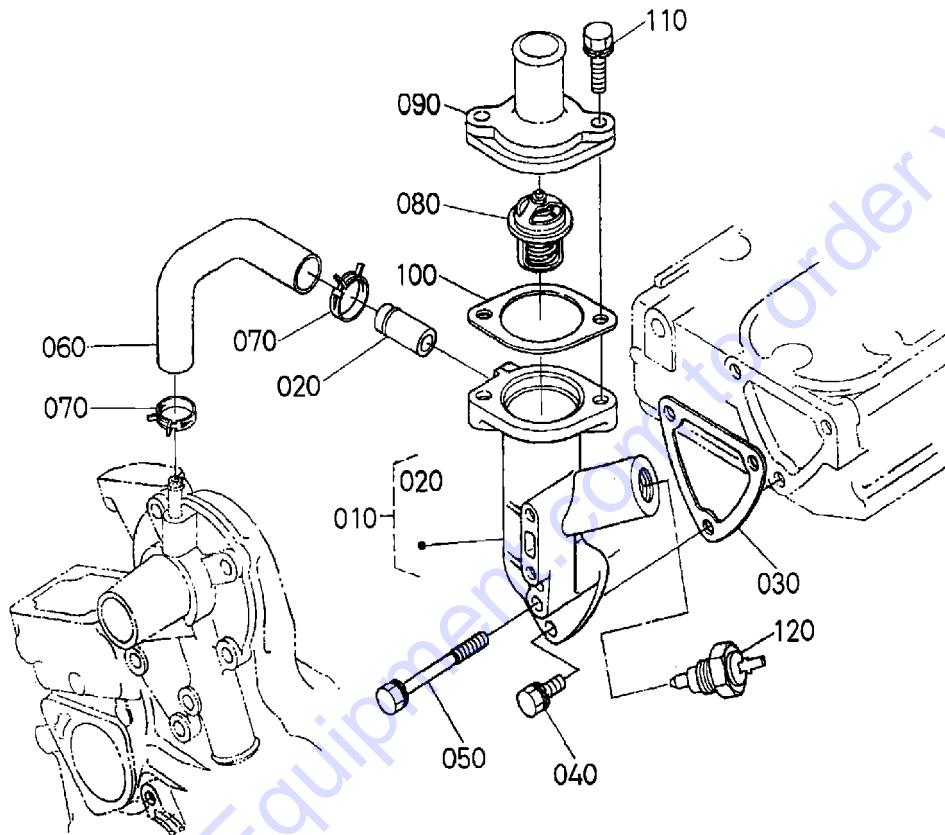


KUBOTA Z482-E4B ENGINE — OIL SWITCH PLUG ASSY.

<u>NO.</u>	<u>PART NO.</u>	<u>PART NAME</u>	<u>QTY.</u>	<u>REMARKS</u>
010	1522139013	SWITCH, OIL	1	
020	1584196020	PLUG	1	

Go to Discount-Equipment.com to order your parts

KUBOTA Z482-E4B ENGINE — WATER FLANGE AND THERMOSTAT ASSY.

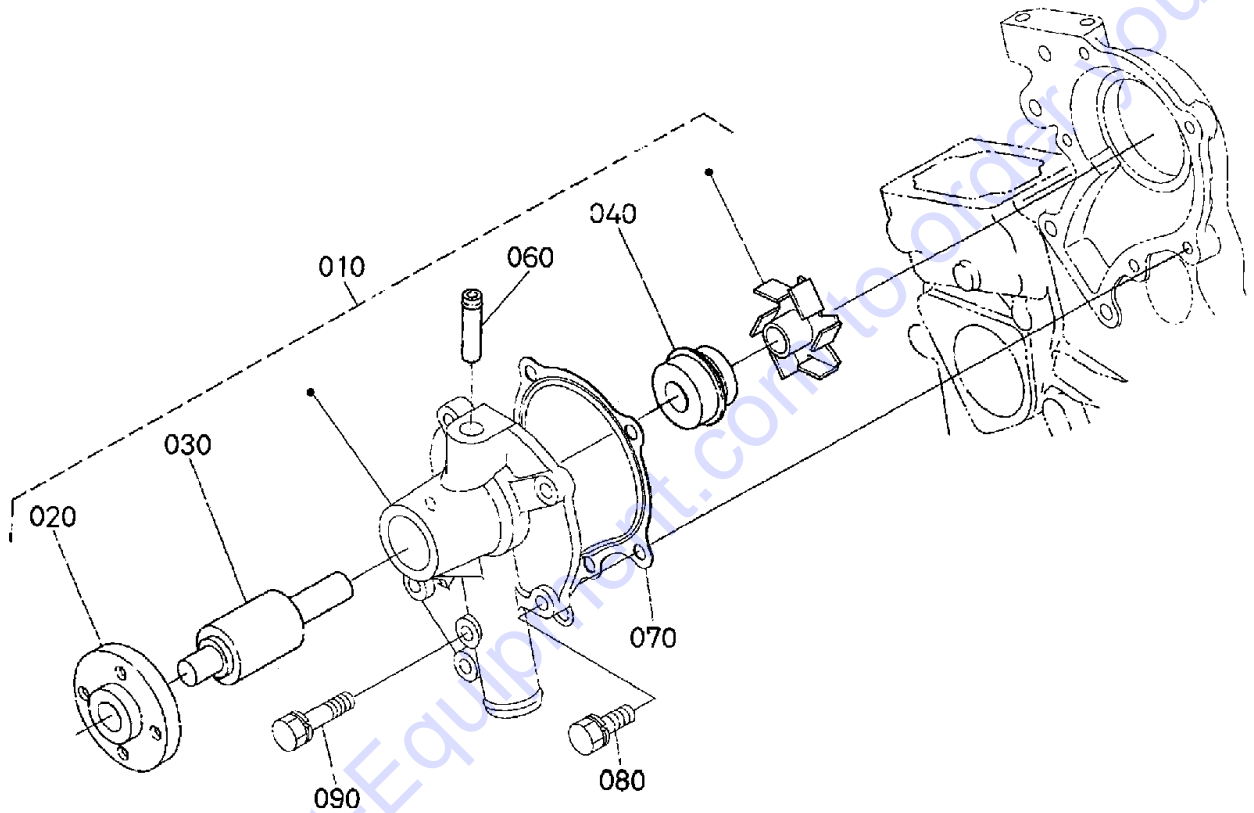


KUBOTA Z482-E4B ENGINE — WATER FLANGE AND THERMOSTAT ASSY.

<u>NO.</u>	<u>PART NO.</u>	<u>PART NAME</u>	<u>QTY.</u>	<u>REMARKS</u>
010	1687572704	COMP. FLANGE, WATER	1.....	INCLUDES ITEMS W/\$
020\$	1624173370	PIPE, WATER RETURN	1	
030	1584172923	GASKET, WATER FLANGE	1	
040	0102350616	BOLT, SEMS	2	
050	0102350650	BOLT, SEMS	1	
060	1685173350	PIPE, WATER RETURN	1	
070	1G68773362	CLAMP, HOSE	2	
080	1553173014	THERMOSTAT ASSY.	1	
090	1584173260	COVER, THERMOSTAT	1	
100	1685173270	GASKET, THERMOSTAT	1	
110	0102350622	BOLT, SEMS	2	
120	1753883040	SWITCH, THERMOSTAT	1	

Go to Discount-Equipment.com to order your parts

KUBOTA Z482-E4B ENGINE — WATER PUMP ASSY.

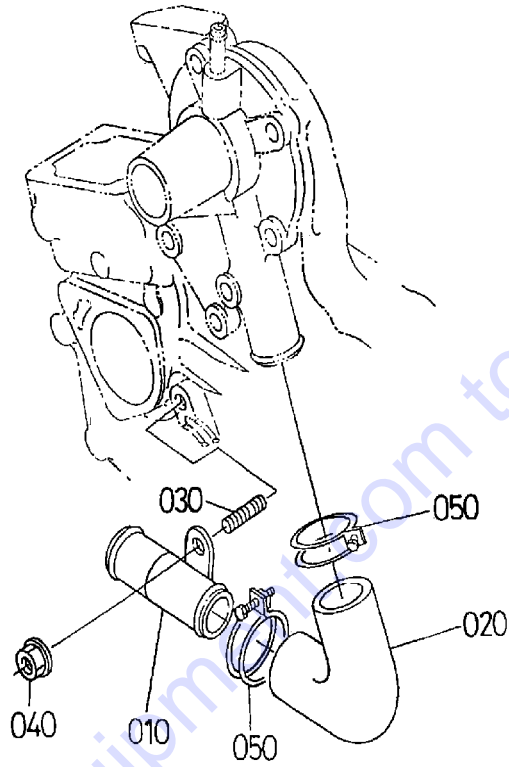


KUBOTA Z482-E4B ENGINE — WATER PUMP ASSY.

<u>NO.</u>	<u>PART NO.</u>	<u>PART NAME</u>	<u>QTY.</u>	<u>REMARKS</u>
010	1E05173034	WATER PUMP ASSY.	1.....	INCLUDES ITEMS W/%
020%	1585273520	FLANGE, WATER PUMP	1	
030%	1585273550	BEARING	1	
040%	1548173050	SEAL, MECHANICAL ASSY.	1	
060%	1585273340	PIPE, WATER RETURN	1	
070	1687173430	GASKET, WATER PUMP	1	
080	0102350622	BOLT, SEMS	4	
090	0102350638	BOLT, SEMS	1	

Go to Discount-Equipment.com to order your parts

KUBOTA Z482-E4B ENGINE — WATER PIPE ASSY.

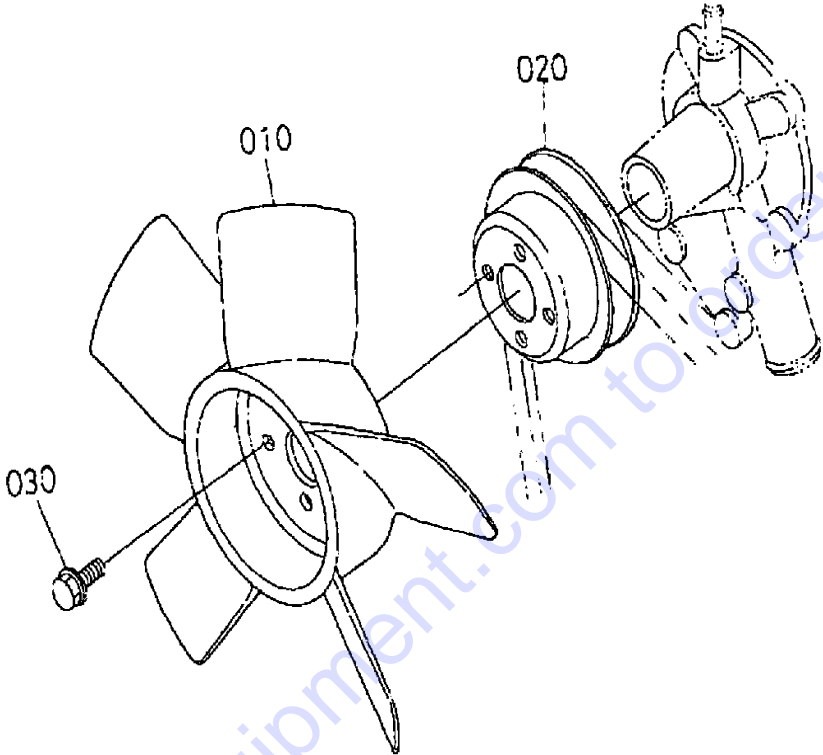


KUBOTA Z482-E4B ENGINE — WATER PIPE ASSY.

<u>NO.</u>	<u>PART NO.</u>	<u>PART NAME</u>	<u>QTY.</u>	<u>REMARKS</u>
010	1680572860	PIPE, WATER	1	
020	1680572870	HOSE, WATER	1	
030	1584191510	STUD	1	
040	0275150060	NUT, FLANGE	1	
050	1584172960	BAND, PIPE	2	

Go to Discount-Equipment.com to order your parts

KUBOTA Z482-E4B ENGINE — FAN ASSY.

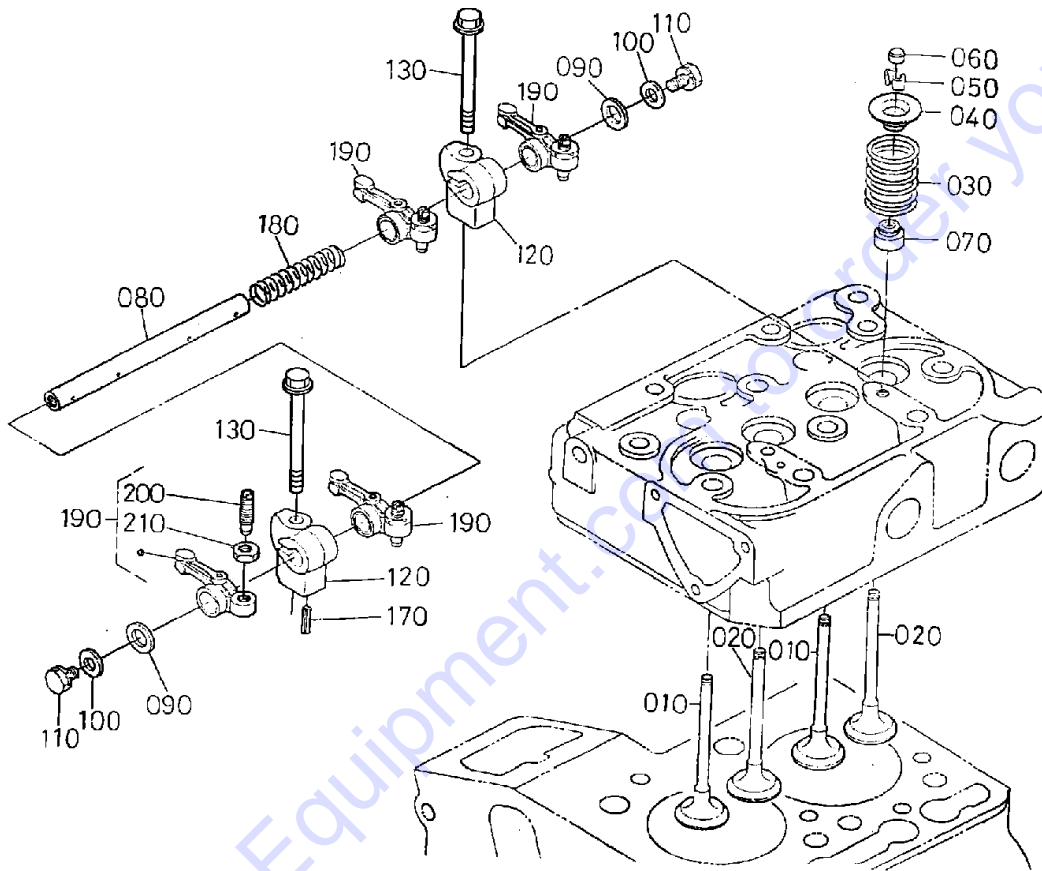


KUBOTA Z482-E4B ENGINE — FAN ASSY.

<u>NO.</u>	<u>PART NO.</u>	<u>PART NAME</u>	<u>QTY.</u>	<u>REMARKS</u>
010	1586774112	FAN	1	
020	1584174250	PULLEY, FAN	1	
030	0175450610	BOLT, FLANGE	4	

Go to Discount-Equipment.com to order your parts

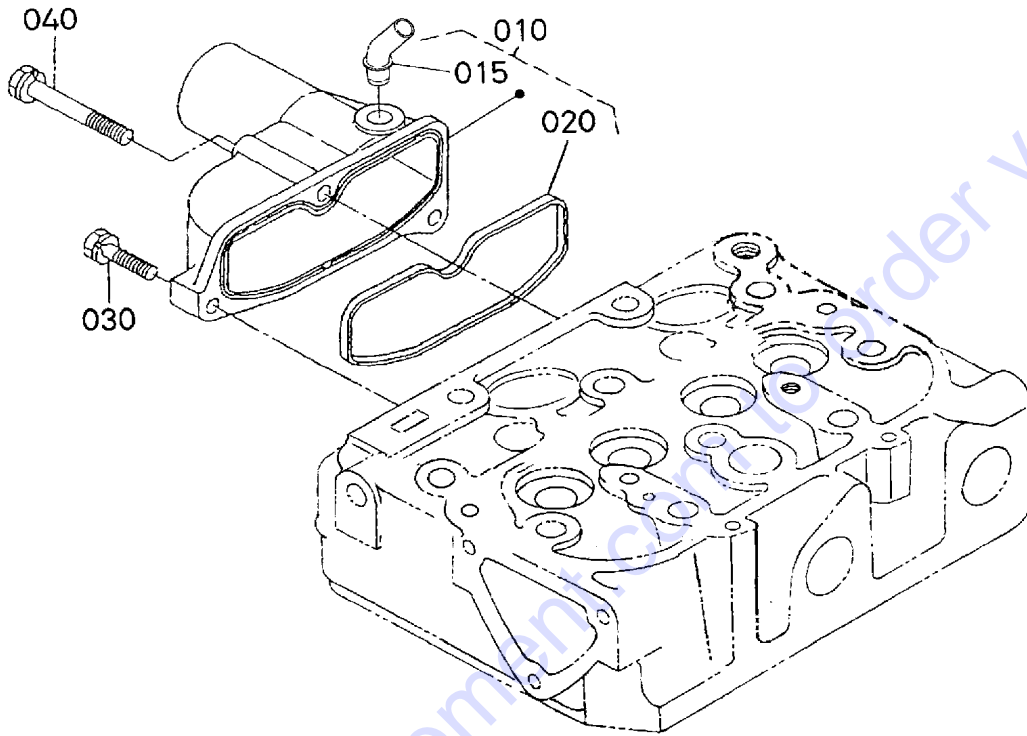
KUBOTA Z482-E4B ENGINE — VALVE AND ROCKER ARM ASSY.



KUBOTA Z482-E4B ENGINE — VALVE AND ROCKER ARM ASSY.

<u>NO.</u>	<u>PART NO.</u>	<u>PART NAME</u>	<u>QTY.</u>	<u>REMARKS</u>
010	1G68613110	VALVE, INLET	2	
020	1G68613120	VALVE, EXHAUST	2	
030	1460113240	SPRING, VALVE	4	
040	1460113330	RETAINER, VALVE SPRING	4	
050	1460113980	COLLET, VALVE SPRING SET	4	
060	1685113280	CAP, VALVE	4	
070	1142013150	SEAL, VALVE STEM	4	
080	1584114264	SHAFT, ROCKER ARM	1	
090	1687114430	WASHER	2	
100	1584194022	WASHER, FLAT	2	
110	0102350610	BOLT, SEMS	2	
120	1G95814350	BRACKET, ROCKER ARM	2	
130	0175450640	BOLT FLANGE	2	
170	0541100420	PIN, SPRING	1	
180	1460114312	SPRING, ROCKER ARM	1	
190	1584114036	ARM, ROCKER ASSY.....	4	INCLUDES ITEMS W/\$
200\$	1584114230	SCREW, ADJUSTING	4	
210\$	1460114240	NUT	4	

KUBOTA Z482-E4B ENGINE — INLET MANIFOLD ASSY.

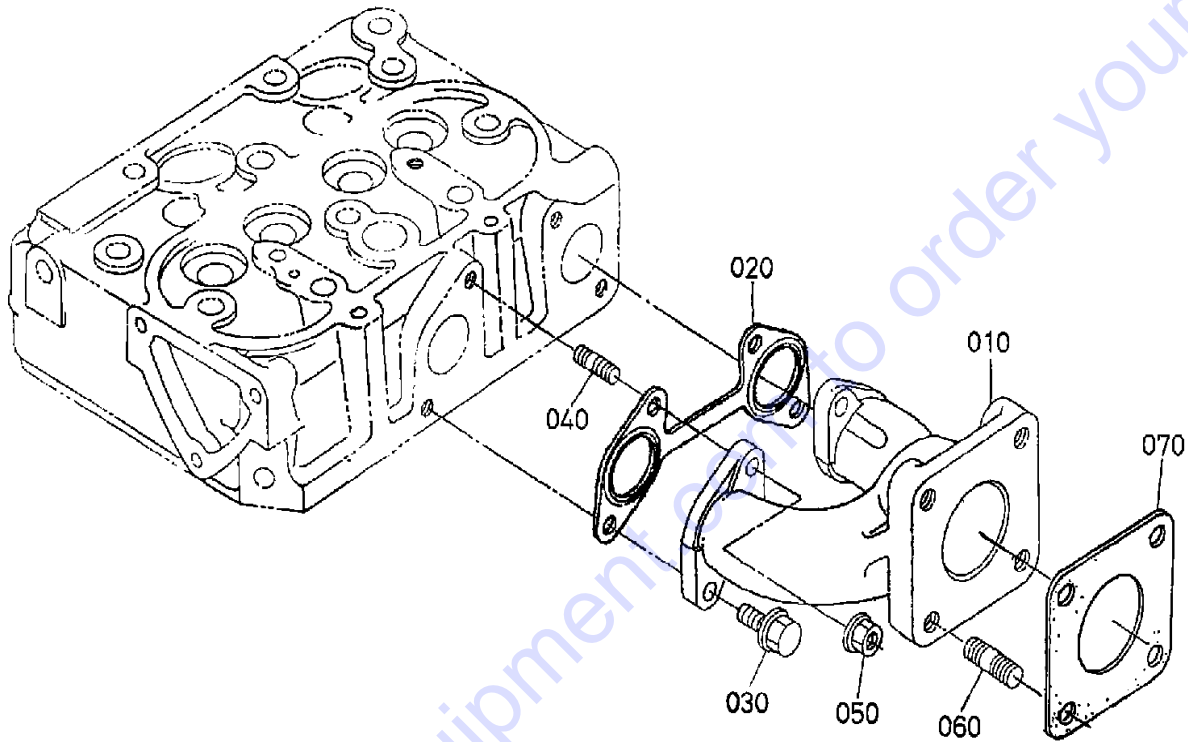


KUBOTA Z482-E4B ENGINE — INLET MANIFOLD ASSY.

<u>NO.</u>	<u>PART NO.</u>	<u>PART NAME</u>	<u>QTY.</u>	<u>REMARKS</u>
010	1G95711772	MANIFOLD, INLET ASSY.....	1.....	INCLUDES ITEMS W/#
015#	1G95905550	PIPE BREATHER	1	
020#	1584111820	GASKET, IN-MANIFOLD	1	
030	0175450616	BOLT, FLANGE	2	
040	0102350645	BOLT, SEMS	1	

Go to Discount-Equipment.com to order your parts

KUBOTA Z482-E4B ENGINE — EXHAUST MANIFOLD ASSY.

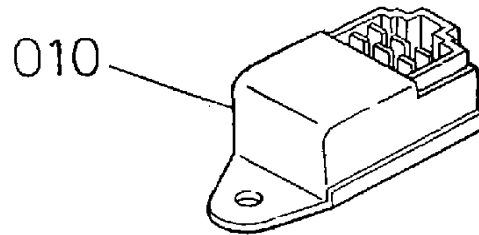


KUBOTA Z482-E4B ENGINE — EXHAUST MANIFOLD ASSY.

<u>NO.</u>	<u>PART NO.</u>	<u>PART NAME</u>	<u>QTY.</u>	<u>REMARKS</u>
010	1584112313	MANIFOLD, EXHAUST	1	
020	1685112360	GASKET, EX-MANIFOLD	1	
030	1J09091010	BOLT, UBS	2	
040	0151350620	BOLT, STUD	2	
050	0275650060	NUT, UBS	2	
060	0151350822	BOLT, STUD	4	
070	1526312370	GASKET, MUFFLER NA	1	

Go to Discount-Equipment.com to order your parts

KUBOTA Z482-E4B ENGINE — GLOW LAMP AND TIMER ASSY.



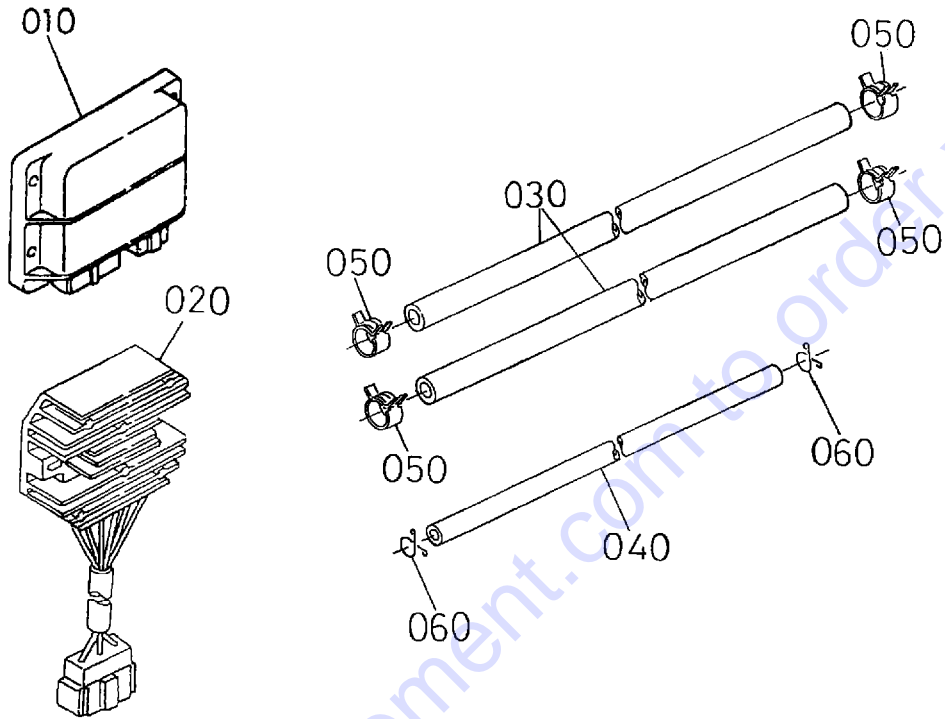
Go to Discount-Equipment.com to order your parts

KUBOTA Z482-E4B ENGINE — GLOW LAMP AND TIMER ASSY.

<u>NO.</u>	<u>PART NO.</u>	<u>PART NAME</u>	<u>QTY.</u>	<u>REMARKS</u>
010	1569465990	TIMER, GLOW LAMP	1	

Go to Discount-Equipment.com to order your parts

KUBOTA Z482-E4B ENGINE — ACCESSORIES AND SERV. ASSY.

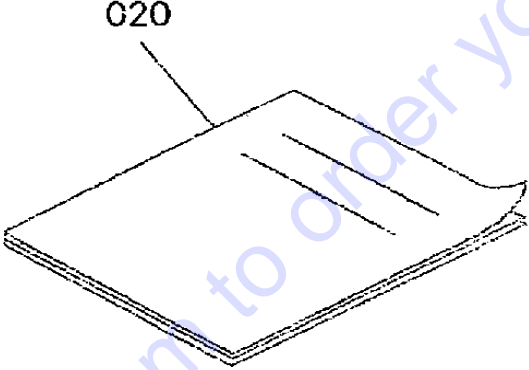
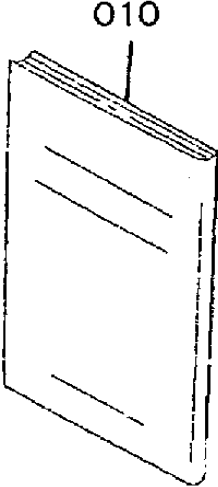


KUBOTA Z482-E4B ENGINE — ACCESSORIES AND SERV. ASSY.

NO.	PART NO.	PART NAME	QTY.	REMARKS
010	1747260604	EMERGENCY UNIT	1	
020	1584464603	COMP. REGULATOR	1	
030	0966180240	TUBE, FUEL 240MM	1	
030	0966180400	TUBE, FUEL 400MM	1	
040	0966140240	TUBE, FUEL	1	
040	0966140320	TUBE, FUEL	1	
050	1491142750	CLIP, PIPE	4	
060	1497142750	CLIP, PIPE	6	

Go to Discount-Equipment.com to order your parts

KUBOTA Z482-E4B ENGINE — LABEL AND OPS MANUAL ASSY.



Go to Discount-Equipment.com to order your parts

KUBOTA Z482-E4B ENGINE — LABEL AND OPS MANUAL ASSY.

<u>NO.</u>	<u>PART NO.</u>	<u>PART NAME</u>	<u>QTY.</u>	<u>REMARKS</u>
010	1J09089160	OPERATOR'S MANUAL	1	
020	1J01389810	STATEMENT WARRANTY	1	

Go to Discount-Equipment.com to order your parts

PARTS FINDER

**Search Website
by Part Number**



**Search Manual
Library For Parts
Manual & Lookup Part
Numbers – Purchase
or Request Quote**

Search Manuals

Enter your information to help us find the right parts manual for your machine.

* Brand:

* Model:

* Serial:

* Part Number:

SEARCH

**Can't Find Part or
Manual? Request Help
by Manufacturer,
Model & Description**

Parts Order Form

Please fill in the following information to help us find the right part for your machine.

Manufacturer:	<input type="text"/>
Model:	<input type="text"/>
Description:	<input type="text"/>
Part Number:	<input type="text"/>
Quantity:	<input type="text"/>
Notes:	<input type="text"/>

Discount-Equipment.com is your online resource for quality parts & equipment.

Florida: **561-964-4949** Outside Florida TOLL FREE: **877-690-3101**

Need parts?

Click on this link: <http://www.discount-equipment.com/category/5443-parts/> and choose one of the options to help get the right parts and equipment you are looking for. Please have the machine model and serial number available in order to help us get you the correct parts. If you don't find the part on the website or on one of the online manuals, please fill out the request form and one of our experienced staff members will get back to you with a quote for the right part that your machine needs.

We sell worldwide for the brands: Genie, Terex, JLG, MultiQuip, Mikasa, Essick, Whiteman, Mayco, Toro Stone, Diamond Products, Generac Magnum, Airman, Haulotte, Barreto, Power Blanket, Nifty Lift, Atlas Copco, Chicago Pneumatic, Allmand, Miller Curber, Skyjack, Lull, Skytrak, Tsurumi, Husquvarna Target, Stow, Wacker, Sakai, Mi-T-M, Sullair, Basic, Dynapac, MBW, Weber, Bartell, Bennar Newman, Haulotte, Ditch Runner, Menegotti, Morrison, Contec, Buddy, Crown, Edco, Wyco, Bomag, Laymor, EZ Trench, Bil-Jax, F.S. Curtis, Gehl Pavers, Heli, Honda, ICS/PowerGrit, IHI, Partner, Imer, Clipper, MMD, Koshin, Rice, CH&E, General Equipment, Amida, Coleman, NAC, Gradall, Square Shooter, Kent, Stanley, Tamco, Toku, Hatz, Kohler, Robin, Wisconsin, Northrock, Oztec, Toker TK, Rol-Air, APT, Wylie, Ingersoll Rand / Doosan, Innovatech, Con X, Ammann, Mecalac, Makinex, Smith Surface Prep, Small Line, Wanco, Yanmar