

E SERIES

ELECTRIC BOOM LIFTS



www.Discount-Equipment.com



Performance

| | | |
|---|---------------------|--------------------------|
| Platform Height | | |
| E300AJ | 30 ft 2 in. | 9.19 m |
| E300AJP | 29 ft 5 in. | 8.96 m |
| E400AN/E400AJ/M400AJP/ E400AJPN/M400AJPN | 40 ft | 12.19 m |
| E450A/E450AJ/M450AJ | 45 ft | 13.72 m |
| Horizontal Outreach | | |
| E300AJ | 20 ft 3 in. | 6.17 m |
| E300AJP | 20 ft 1 in. | 6.12 m |
| E400AN | 21 ft 2 in. | 6.45 m |
| E400AJP/M400AJP/ E400AJPN/M400AJPN | 22 ft 5 in. | 6.83 m |
| E450A | 23 ft 1 in. | 7.04 m |
| E450AJ/M450AJ | 23 ft 9 in. | 7.24 m |
| Up and Over Height | | |
| E300AJ/E300AJP | 13 ft 2 in. | 4.01 m |
| E400AN/E400AJ/M400AJP/ E400AJPN/M400AJPN | 21 ft 6 in. | 6.55 m |
| E450A | 24 ft 7 in. | 7.49 m |
| E450AJ/M450AJ | 25 ft 3 in. | 7.7 m |
| Swing | 360° Non-continuous | |
| Platform Capacity | 500 lb | 227 kg |
| Platform Rotator | 180° Hydraulic | |
| Weight | | |
| E300AJ | 15,060 lb | 6,831 kg |
| E300AJP | 15,400 lb | 6,985 kg |
| E400AN | 13,100 lb | 5,942 kg |
| E400AJP/M400AJP | 13,700 lb* | 6,214 kg |
| E400AJPN/M400AJPN | 14,900 lb* | 6,759 kg |
| E450A | 12,600 lb | 5,715 kg |
| E450AJ/M450AJ | 14,400 lb* | 6,532 kg |
| Ground Bearing Pressure | | |
| E300AJ/E300AJP | 170 psi | 11.95 kg/cm ² |
| E400AN | 95 psi | 6.7 kg/cm ² |
| E400AJP/M400AJP | 80 psi | 5.6 kg/cm ² |
| E400AJPN/M400AJPN | 185 psi | 13 kg/cm ² |
| E450A | 95 psi | 6.7 kg/cm ² |
| E450AJ/M450AJ | 110 psi | 7.6 kg/cm ² |
| Max Drive Speed | | |
| E300AJ/E300AJP | 4.5 mph | 7.2 km/h |
| E400AN/E400AJ/M400AJP/ E400AJPN/M400AJPN | 4.5 mph | 7.2 km/h |
| E450A/E450AJ/M450AJ | 4.5 mph | 7.2 km/h |
| Gradeability | | |
| E300AJ/E300AJP | 25% | |
| E400AN/E400AJ/M400AJP/ E400AJPN/M400AJPN | 30% | |
| E450A/E450AJ/M450AJ | 30% | |
| Turning Radius (inside) | | |
| E300AJ/E300AJP | 5 ft | 1.52 m |
| E400AN | 2 ft 10 in. | .86 m |
| E400AJP/M400AJP | 2 ft | .61 m |
| E400AJPN/M400AJPN | 2 ft 10 in. | .86 m |
| E450A/E450AJ/M450AJ | 2 ft | .61 m |
| Turning Radius (outside) | | |
| E300AJ/E300AJP | 10 ft 2 in. | 3.1 m |
| E400AN/E400AJ/M400AJP/ E400AJPN/M400AJPN | 10 ft 4 in. | 3.15 m |
| E450A/E450AJ/M450AJ | 10 ft 4 in. | 3.15 m |

*For M models, add 300 lb (136 kg).



Standard Specifications

Power Source

| | |
|-----------------------------|---|
| Electrical System | 48V DC |
| Batteries | 8 x 6V, 370 amp-hr (305 amp-hr on E300) |
| Drive Motors | Dual Electric Traction—Brushless AC |
| Generator Set (M Models) | |
| Diesel Engine Kubota 45 amp | 6.7 hp 4.99 kW |
| Fuel Tank Capacity | 4 gal. 15.2 L |

Hydraulic System

| | | |
|---|----------------------------------|---------|
| • E300AJ/E300AJP | 2.1 gal. | 7.95 L |
| • E400AN/E400AJ/M400AJP/ E400AJPN/M400AJPN | 4 gal. | 15.14 L |
| • E450A/E450AJ/M450AJ | 4 gal. | 15.14 L |
| • Motor/Pump | Permanent Magnet Motor/Gear Pump | |

Tires

| | |
|------------------------------------|---------------------------|
| • E300AJ/E300AJP | 25 x 7 x 12 Non-marking |
| • E400AN/E400AJPN/M400AJPN (front) | 22 x 6 x 17.5 Non-marking |
| • E400AN/E400AJPN/M400AJPN (rear) | 25 x 7 x 12 Non-marking |
| • E400AJP/M400AJP | 240/55-17.5 Pneumatic |
| • E450A/E450AJ/M450AJ | 240/55-17.5 Pneumatic |

Standard Features

- Automatic Traction Control (ATC)
- Side Entry Platform
- 180 Degree Hydraulic Platform Rotator
- 110V-AC Receptacle on Platform
- Tilt Light and Alarm
- Hourmeter
- Battery Condition Indicator
- Lifting/Tie Down Lugs
- Horn
- All Motion Alarm
- Eight 6V 370 amp-hr Deep Cycle Batteries
- Brushless AC Motors

Accessories & Options

- Inward Self-closing Swing Gate
- Platform Worklights
- Mesh to Top Rail—Bolt-on Aluminum
- Acrylic Console Shield
- Cylinder Bellows
- UL® EE Rating¹
- Flashing Amber Beacon
- Operator Tool Tray

1. Not available on Multi-powered models.

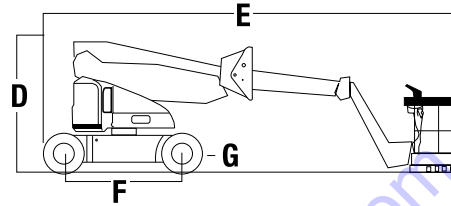
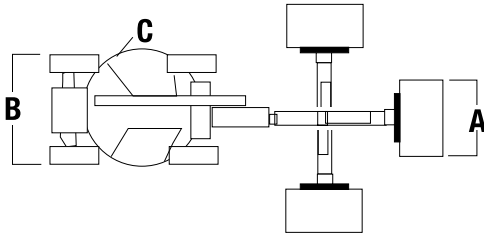
E SERIES

ELECTRIC BOOM LIFTS



Dimensions

All dimensions are approximate.



A. Platform Size

| | | |
|------------|-------------|---------------|
| E300AJ | 30 x 48 in. | 0.76 x 1.22 m |
| E300AJP | 30 x 48 in. | 0.76 x 1.22 m |
| E400AN | 30 x 48 in. | 0.76 x 1.22 m |
| E/M400AJP | 30 x 60 in. | 0.76 x 1.52 m |
| E/M400AJPN | 30 x 48 in. | 0.76 x 1.22 m |
| E450A | 30 x 60 in. | 0.76 x 1.52 m |
| E/M450AJ | 30 x 60 in. | 0.76 x 1.52 m |

C. Tailswing

| | | |
|------------|-------|-------|
| E300AJ | Zero | |
| E300AJP | Zero | |
| E400AN | 4 in. | 10 cm |
| E/M400AJP | Zero | |
| E/M400AJPN | 4 in. | 10 cm |
| E450A | Zero | |
| E/M450AJ | Zero | |

E. Stowed Length

| | | |
|------------|--------------|--------|
| E300AJ | 18 ft 2 in. | 5.54 m |
| E300AJP | 18 ft 10 in. | 5.74 m |
| E400AN | 18 ft 1 in. | 5.51 m |
| E/M400AJP | 22 ft | 6.71 m |
| E/M400AJPN | 22 ft | 6.71 m |
| E450A | 19 ft 1 in. | 5.82 m |
| E/M450AJ | 21 ft 2 in. | 6.45 m |

G. Ground Clearance

| | | |
|------------|---------|-------|
| E300AJ | 4 in. | 10 cm |
| E300AJP | 4 in. | 10 cm |
| E400AN | 5 in. | 13 cm |
| E/M400AJP | 8.5 in. | 22 cm |
| E/M400AJPN | 5 in. | 13 cm |
| E450A | 8.5 in. | 22 cm |
| E/M450AJ | 8.5 in. | 22 cm |

B. Overall Width

| | | |
|------------|-------------|--------|
| E300AJ | 4 ft | 1.22 m |
| E300AJP | 4 ft | 1.22 m |
| E400AN | 4 ft 11 in. | 1.5 m |
| E/M400AJP | 5 ft 9 in. | 1.75 m |
| E/M400AJPN | 4 ft 11 in. | 1.5 m |
| E450A | 5 ft 9 in. | 1.75 m |
| E/M450AJ | 5 ft 9 in. | 1.75 m |

D. Stowed Height

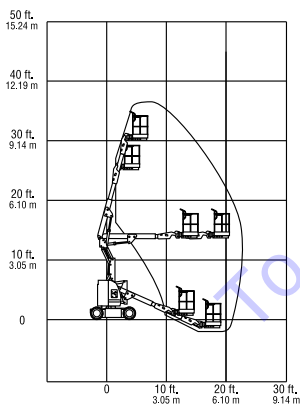
| | | |
|------------|---------------|--------|
| E300AJ | 6 ft 7 in. | 2.01 m |
| E300AJP | 6 ft 7 in. | 2.01 m |
| E400AN | 6 ft 5.75 in. | 1.97 m |
| E/M400AJP | 6 ft 7 in. | 2.01 m |
| E/M400AJPN | 6 ft 5.75 in. | 1.97 m |
| E450A | 6 ft 6 in. | 1.98 m |
| E/M450AJ | 6 ft 7 in. | 2.01 m |

F. Wheelbase

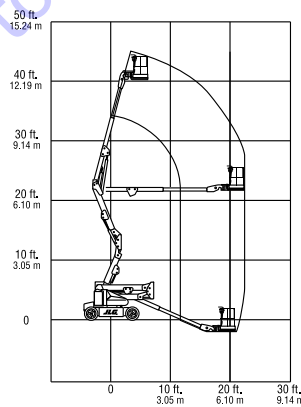
| | | |
|------------|------------|--------|
| E300AJ | 5 ft 5 in. | 1.65 m |
| E300AJP | 5 ft 5 in. | 1.65 m |
| E400AN | 6 ft 7 in. | 2.01 m |
| E/M400AJP | 6 ft 7 in. | 2.01 m |
| E/M400AJPN | 6 ft 7 in. | 2.01 m |
| E450A | 6 ft 7 in. | 2.01 m |
| E/M450AJ | 6 ft 7 in. | 2.01 m |

Reach Diagrams

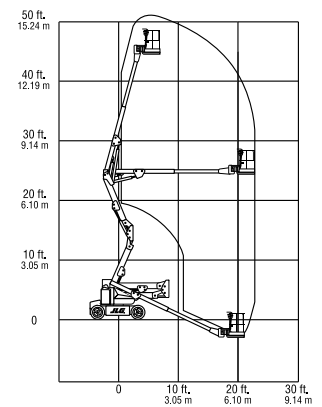
E300



E400



E450



The JLG "1 & 5" Warranty

We provide coverage for one (1) full year, and cover all specified major structural components for five (5) years. Due to continuous product improvements, we reserve the right to make specification and/or equipment changes without prior notification. This machine meets or exceeds applicable ANSI and CSA requirements based on machine configuration as originally manufactured for intended applications. Please reference the serial number plate on the machine for additional information.

Part No.: 3131119
R031810
Printed in USA



www.Discount-Equipment.com