



An Oshkosh Corporation Company



www.Discount-Equipment.com

Operation and Safety Manual

Original Instructions - Keep this manual with the machine at all times.

Model
H340AJ
PVC 2001

ANSI   **AS/NZS**

31215006

August 13, 2019 - Rev A

TO PURCHASE THIS PRODUCT PLEASE CONTACT US



**Equipment Financing and
Extended Warranties Available**



**Discount-Equipment.com is your online resource for
commercial and industrial quality parts and equipment sales.**

561-964-4949

visit us on line @ www.discount-equipment.com

Select an option below to find your Equipment

Search by Manufacturer

Search by Product Type

Request a Quote

We sell worldwide for the brands: Genie, Terex, JLG, MultiQuip, Mikasa, Essick, Whiteman, Mayco, Toro Stone, Diamond Products, Generac Magnum, Airman, Haulotte, Barreto, Power Blanket, Nifty Lift, Atlas Copco, Chicago Pneumatic, Allmand, Miller Curber, Skyjack, Lull, Skytrak, Tsurumi, Husquvarna Target, Stow, Wacker, Sakai, Mi-T-M, Sullair, Basic, Dynapac, MBW, Weber, Bartell, Bennar Newman, Haulotte, Ditch Runner, Menegotti, Morrison, Contec, Buddy, Crown, Edco, Wyco, Bomag, Laymor, EZ Trench, Bil-Jax, F.S. Curtis, Gehl Pavers, Heli, Honda, ICS/PowerGrit, IHI, Partner, Imer, Clipper, MMD, Koshin, Rice, CH&E, General Equipment, Amida, Coleman, NAC, Gradall, Square Shooter, Kent, Stanley, Tamco, Toku, Hatz, Kohler, Robin, Wisconsin, Northrock, Oztec, Toker TK, Rol-Air, APT, Wylie, Ingersoll Rand / Doosan, Innovatech, Con X, Ammann, Mecalac, Makinex, Smith Surface Prep, Small Line, Wanco, Yanmar



WARNING

Operating, servicing and maintaining this vehicle or equipment can expose you to chemicals including engine exhaust, carbon monoxide, phthalates, and lead, which are known to the State of California to cause cancer and birth defects or other reproductive harm. To minimize exposure, avoid breathing exhaust, do not idle the engine except as necessary, service your vehicle or equipment in a well-ventilated area and wear gloves or wash your hands frequently when servicing. For more information go to www.P65Warnings.ca.gov.

FOREWORD

The Mobile Elevating Work Platform (MEWP) models covered in this manual are designed and tested to meet or exceed various compliance standards. Please refer to the manufacturer's nameplate affixed to the subject MEWP for specific standard compliance information.

This manual is a very important tool! Keep it with the machine at all times.

The purpose of this manual is to provide owners, users, operators, lessors, and lessees with the precautions and operating procedures essential for the safe and proper machine operation for its intended purpose.

Due to continuous product improvements, JLG Industries, Inc. reserves the right to make specification changes without prior notification. Contact JLG Industries, Inc. for updated information.

Refer to www.JLG.com for Warranty, Product Registration, and other machine-related documentation.

SAFETY ALERT SYMBOLS AND SAFETY SIGNAL WORDS



This is the Safety Alert Symbol. It is used to alert you to the potential personal injury hazards. Obey all safety messages that follow this symbol to avoid possible injury or death

DANGER

INDICATES AN IMMINENTLY HAZARDOUS SITUATION. IF NOT AVOIDED, WILL RESULT IN SERIOUS INJURY OR DEATH. THIS DECAL WILL HAVE A RED BACKGROUND.

WARNING

INDICATES A POTENTIALLY HAZARDOUS SITUATION. IF NOT AVOIDED, COULD RESULT IN SERIOUS INJURY OR DEATH. THIS DECAL WILL HAVE AN ORANGE BACKGROUND.

CAUTION

INDICATES A POTENTIALLY HAZARDOUS SITUATION. IF NOT AVOIDED, MAY RESULT IN MINOR OR MODERATE INJURY. IT MAY ALSO ALERT AGAINST UNSAFE PRACTICES. THIS DECAL WILL HAVE A YELLOW BACKGROUND.

NOTICE

INDICATES INFORMATION OR A COMPANY POLICY THAT RELATES DIRECTLY OR INDIRECTLY TO THE SAFETY OF PERSONNEL OR PROTECTION OF PROPERTY.

⚠ WARNING

THIS PRODUCT MUST COMPLY WITH ALL SAFETY RELATED BULLETINS. CONTACT JLG INDUSTRIES, INC. OR THE LOCAL AUTHORIZED JLG REPRESENTATIVE FOR INFORMATION REGARDING SAFETY-RELATED BULLETINS WHICH MAY HAVE BEEN ISSUED FOR THIS PRODUCT.

NOTICE

JLG INDUSTRIES, INC. SENDS SAFETY RELATED BULLETINS TO THE OWNER OF RECORD OF THIS MACHINE. CONTACT JLG INDUSTRIES, INC. TO ENSURE THAT THE CURRENT OWNER RECORDS ARE UPDATED AND ACCURATE.

NOTICE

JLG INDUSTRIES, INC. MUST BE NOTIFIED IMMEDIATELY IN ALL INSTANCES WHERE JLG PRODUCTS HAVE BEEN INVOLVED IN AN ACCIDENT INVOLVING BODILY INJURY OR DEATH OR WHEN SUBSTANTIAL DAMAGE HAS OCCURRED TO PERSONAL PROPERTY OR THE JLG PRODUCT.

For:

- Accident Reporting
- Product Safety Publications
- Current Owner Updates
- Questions Regarding Product Safety
- Standards and Regulations Compliance Information
- Questions Regarding Special Product Applications
- Questions Regarding Product Modifications

Contact:

Product Safety and Reliability Department
JLG Industries, Inc.
13224 Fountainhead Plaza
Hagerstown, MD 21742
USA

or Your Local JLG Office
(See addresses on inside of manual cover)

In USA:

Toll Free: 877-JLG-SAFE (877-554-7233)

Outside USA:

Phone: 240-420-2661
Fax: 301-745-3713
E-mail: ProductSafety@JLG.com

REVISION LOG

Original Issue A - August 13, 2019

To order go to Discount-Equipment.com

SECTION - 1 - SAFETY PRECAUTIONS

1.1 GENERAL 1-1

1.2 PRE-OPERATION 1-1

 Operator Training and Knowledge 1-1

 Workplace Inspection 1-2

 Machine Inspection 1-3

1.3 OPERATION 1-3

 General 1-3

 Trip and Fall Hazards 1-4

 Electrocution Hazards 1-5

 Tipping Hazards 1-7

 Crushing and Collision Hazards 1-10

1.4 TOWING, LIFTING, AND HAULING 1-11

1.5 MAINTENANCE 1-11

 Maintenance Hazards 1-11

 Battery Hazards 1-13

SECTION - 2 - USER RESPONSIBILITIES, MACHINE PREPARATION, AND INSPECTION

2.1 PERSONNEL TRAINING 2-1

 Operator Training 2-1

 Training Supervision 2-1

 Operator Responsibility 2-1

2.2 PREPARATION, INSPECTION, AND MAINTENANCE 2-2

 Pre-Start Inspection 2-5

 Daily Walk-Around Inspection 2-6

 Function Check 2-8

SkyGuard Function Test 2-10

2.3 OSCILLATING AXLE LOCKOUT TEST (IF EQUIPPED) 2-11

SECTION - 3 - MACHINE CONTROLS AND INDICATORS

3.1 GENERAL 3-1

3.2 CONTROLS AND INDICATORS 3-1

 Ground Control Console 3-2

 Ground Control Indicator Panel 3-7

 Platform Console 3-9

 Platform Control Indicator Panel 3-14

SECTION - 4 - MACHINE OPERATION

4.1 DESCRIPTION 4-1

4.2 BOOM OPERATING CHARACTERISTICS AND LIMITATIONS 4-2

 Capacities 4-2

 Stability 4-2

4.3 ENGINE OPERATION 4-2

 Auto Start Mode 4-3

 Operator Start 4-3

 Shutdown Procedure 4-4

 Jump Starting 4-5

 Fuel Reserve / Shut-Off System (Diesel Engines Only) 4-5

4.4 TRAVELING (DRIVING) 4-8

 Traveling Forward and Reverse 4-10

 Traveling on a Grade 4-11

TABLE OF CONTENTS

4.5	STEERING.....	4-11
4.6	PLATFORM	4-12
	Platform Level Adjustment	4-12
	Platform Rotation	4-12
4.7	BOOM.....	4-12
	Swinging the Boom	4-13
	Raising and Lowering the Tower Boom.....	4-13
	Raising and Lowering the Main Boom	4-13
	Telescoping the Main Boom	4-13
4.8	GENERATOR	4-14
	Automatic Operating Mode.....	4-14
	Battery Only Operating Mode	4-14
	Manual (Charge) Operating Mode.....	4-15
4.9	INVERTER.....	4-15
4.10	FUNCTION SPEED CONTROL	4-15
4.11	MACHINE SAFETY SYSTEM OVERRIDE (MSSO) (CE ONLY)	4-16
4.12	SKYGUARD OPERATION	4-16
	SkyGuard	4-16
	SkyGuard - SkyLine	4-16
	SkyGuard - SkyEye.....	4-17
	SkyGuard Function Table	4-17
4.13	SHUT DOWN AND PARK/STORAGE POSITION	4-18
	Shut Down and Park.....	4-18
	Storage Position.....	4-18
4.14	LIFTING AND TIE DOWN	4-21
	Lifting.....	4-21
	Tie Down.....	4-21

SECTION - 5 - EMERGENCY PROCEDURES

5.1	GENERAL	5-1
5.2	INCIDENT NOTIFICATION.....	5-1
5.3	EMERGENCY OPERATION	5-1
	Operator Unable to Control Machine.....	5-1
	Platform or Boom Caught Overhead	5-2
5.4	AUXILIARY DESCENT SYSTEM	5-2
5.5	MANUAL SWING OVERRIDE	5-3
5.6	EMERGENCY TOWING PROCEDURES.....	5-5
5.7	MACHINE SAFETY SYSTEM OVERRIDE (MSSO) (CE ONLY)	5-7

SECTION - 6 - GENERAL SPECIFICATIONS & OPERATOR MAINTENANCE

6.1	INTRODUCTION.....	6-1
6.2	OPERATING SPECIFICATIONS AND PERFORMANCE DATA	6-1
	Operating Specifications	6-1
	Dimensional Data	6-2
	Capacities.....	6-2
	Tires	6-3
	Engine Data.....	6-3
	Hydraulic Oil	6-4
	Major Component Weights.....	6-8
6.3	OPERATOR MAINTENANCE.....	6-11
6.4	TIRES & WHEELS	6-16
	Tire Replacement.....	6-16

Wheel and Tire Replacement..... 6-16
Wheel Installation 6-16
6.5 SUPPLEMENTAL INFORMATION6-17

SECTION - 7 - INSPECTION AND REPAIR LOG

To order go to Discount-Equipment.com

2-1.	Basic Nomenclature.....	2-4	4-21.	Decal Location - CE/AUS - Sheet 2of 6	4-40
3-1.	Ground Control Console	3-3	4-22.	Decal Location - CE/AUS - Sheet 3 of 6	4-41
3-2.	Ground Control Console with Machine Safety System ... Override (MSSO) (CE Only)3-4		4-23.	Decal Location - CE/AUS - Sheet 4 of 6	4-42
3-3.	Ground Control Indicator Panel	3-8	4-24.	Decal Location - CE/AUS - Sheet 5 of 6	4-43
3-4.	Platform Control Console	3-10	4-25.	Decal Location - CE/AUS - Sheet 6 of 6	4-44
3-5.	Platform Control Indicator Panel.....	3-15	4-26.	Decal Location - ANSI Export - Sheet 1 of 6.....	4-47
3-6.	Fuel Level Indicator	3-16	4-27.	Decal Location - ANSI Export - Sheet 2 of 6.....	4-48
4-1.	Position of Least Forward Stability.....	4-6	4-28.	Decal Location - ANSI Export - Sheet 3 of 6.....	4-49
4-2.	Position of Least Backward Stability	4-7	4-29.	Decal Location - ANSI Export - Sheet 4 of 6.....	4-50
4-3.	Grade and Side Slopes	4-9	4-30.	Decal Location - ANSI Export - Sheet 5 of 6.....	4-51
4-4.	Traveling on a Grade.....	4-11	4-31.	Decal Location - ANSI Export - Sheet 6 of 6.....	4-52
4-5.	Stowed Position	4-19	5-1.	Auxiliary Descent Decal and Hand Pump	5-4
4-6.	Storage Position	4-20	6-1.	Oil Sampling Port	6-5
4-7.	Lifting and Tie Down Chart.....	4-22	6-2.	Hydraulic Oil Operation Chart - Sheet 1 of 2.....	6-6
4-8.	Decal Location - ANSI Markets - Sheet 1 of 6	4-23	6-3.	Hydraulic Oil Operation Chart - Sheet 2 of 2.....	6-7
4-9.	Decal Location - ANSI Markets - Sheet 2 of 6	4-24	6-4.	Engine Oil Operation Chart - Kubota.....	6-9
4-10.	Decal Location - ANSI Markets - Sheet 3 of 6	4-25	6-5.	Operator Maintenance and Lubrication Diagram.....	6-10
4-11.	Decal Location - ANSI Markets - Sheet 4 of 6	4-26			
4-12.	Decal Location - ANSI Markets - Sheet 5 of 6	4-27			
4-13.	Decal Location - ANSI Markets - Sheet 6 of 6	4-28			
4-14.	Decal Location - CSA - Sheet 1 of 6.....	4-31			
4-15.	Decal Location - CSA - Sheet 2 of 6.....	4-32			
4-16.	Decal Location - CSA - Sheet 3 of 6.....	4-33			
4-17.	Decal Location - CSA - Sheet 4 of 6.....	4-34			
4-18.	Decal Location - CSA - Sheet 5 of 6.....	4-35			
4-19.	Decal Location - CSA - Sheet 6 of 6.....	4-36			
4-20.	Decal Location - CE/AUS - Sheet 1 of 6	4-39			

1-1	Minimum Approach Distances (M.A.D.)	1-6
1-2	Beaufort Scale (For Reference Only).....	1-9
2-1	Inspection and Maintenance Table	2-3
6-1	Operating Specifications	6-1
6-2	Dimensional Data	6-2
6-3	Capacities	6-2
6-4	Tires	6-3
6-5	Kubota Z482.....	6-3
6-6	Hydraulic Oil	6-4
6-7	Critical Stability Weights.....	6-8
6-8	Lubrication Specifications.....	6-11
6-9	Wheel Torque Chart.....	6-17
7-1	Inspection and Repair Log.....	7-1

To order go to Discount-Equipment.com

SECTION 1. SAFETY PRECAUTIONS

1.1 GENERAL

This section outlines the necessary precautions for proper and safe machine usage and maintenance. It is mandatory that a daily routine is established based on the content of this manual to promote proper machine usage. A maintenance program, using the information provided in this manual and the Service and Maintenance Manual, must also be established by a qualified person and must be followed to ensure that the machine is safe to operate.

The owner/user/operator/lessor/lessee of the machine must not accept operating responsibility until this manual has been read, training is accomplished, and operation of the machine has been completed under the supervision of an experienced and qualified operator.

This section contains the responsibilities of the owner, user, operator, lessor, and lessee concerning safety, training, inspection, maintenance, application, and operation. If there are any questions with regard to safety, training, inspection, maintenance, application, and operation, please contact JLG Industries, Inc. ("JLG").

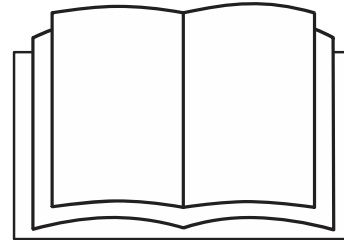
WARNING

FAILURE TO COMPLY WITH THE SAFETY PRECAUTIONS LISTED IN THIS MANUAL COULD RESULT IN MACHINE DAMAGE, PROPERTY DAMAGE, PERSONAL INJURY OR DEATH.

1.2 PRE-OPERATION

Operator Training and Knowledge

- Read, understand, and study the Operation and Safety Manual in its entirety before operating the machine. For clarification, questions, or additional information regarding any portions of this manual, contact JLG Industries, Inc.



SECTION 1 - SAFETY PRECAUTIONS

- Only personnel who have received proper training regarding the inspection, application and operation of MEWPs (including recognition and avoiding hazards associated with their operation) shall be authorized to operate a MEWP.
- Only properly trained personnel who have received unit-specific familiarization shall operate a MEWP. The user shall determine if personnel are qualified to operate the MEWP prior to operation.
- Read, understand, and obey all DANGERS, WARNINGS, CAUTIONS, and operating instructions on the machine and in this manual.
- Ensure that the machine is to be used in a manner which is within the scope of its intended application as determined by JLG.
- All operating personnel must have a thorough understanding of the intended purpose and function of the MEWP controls, including platform, ground and emergency descent controls.
- Read, understand, and obey all applicable employer, local, and governmental regulations as they pertain to your utilization and application of the machine.

Workplace Inspection

- Precautions to avoid all hazards in the work area must be taken by the user before and during operation of the machine.
- Do not operate or raise the platform from a position on trucks, trailers, railway cars, floating vessels, scaffolds or other equipment unless the application is approved in writing by JLG.
- Before operation, check work area for overhead hazards such as electric lines, bridge cranes, and other potential overhead obstructions.
- Check operating surfaces for holes, bumps, drop-offs, obstructions, debris, concealed holes, and other potential hazards.
- Check the work area for hazardous locations. Do not operate the machine in hazardous environments unless approved for that purpose by JLG.
- Ensure that the ground conditions are adequate to support the maximum tire load indicated on the tire load decals located on the chassis adjacent to each wheel. Do not travel on unsupported surfaces.

Machine Inspection

- Do not operate this machine until the inspections and functional checks as specified in Section 2 of this manual have been performed.
- Do not operate this machine until it has been serviced and maintained according to the maintenance and inspection requirements as specified in the machine's Service and Maintenance Manual.
- Ensure all safety devices are operating properly. Modification of these devices is a safety violation.

WARNING

MODIFICATION OR ALTERATION OF A MEWP SHALL BE MADE ONLY WITH PRIOR WRITTEN PERMISSION FROM THE MANUFACTURER.

- Do not operate any machine on which the safety or instruction placards or decals are missing or illegible.
- Check the machine for modifications to original components. Ensure that any modifications have been approved by JLG.
- Avoid accumulation of debris on platform floor. Keep mud, oil, grease, and other slippery substances from footwear and platform floor.

1.3 OPERATION

General

- Machine operation requires your full attention. Bring the machine to a full stop before using any device, i.e. cell phones, two-way radios, etc. that will distract your attention from safely operating the machine.
- Do not use the machine for any purpose other than positioning personnel, their tools, and equipment.
- Before operation, the user must be familiar with the machine capabilities and operating characteristics of all functions.
- Never operate a malfunctioning machine. If a malfunction occurs, shut down the machine. Remove the unit from service and notify the proper authorities.
- Do not remove, modify, or disable any safety devices.
- Never slam a control switch or lever through neutral to an opposite direction. Always return switch to neutral and stop before moving the switch to the next function. Operate controls with slow and even pressure.
- Do not allow personnel to tamper with or operate the machine from the ground with personnel in the platform, except in an emergency.

SECTION 1 - SAFETY PRECAUTIONS

- Do not carry materials directly on platform railing unless approved by JLG.
- When two or more persons are in the platform, the operator shall be responsible for all machine operations.
- Always ensure that power tools are properly stowed and never left hanging by their cord from the platform work area.
- When driving, always position boom over rear axle in line with the direction of travel. Remember, if boom is over the front axle, steer and drive functions will be reversed.
- Do not assist a stuck or disabled machine by pushing or pulling except by pulling at the chassis tie-down lugs.
- Fully lower platform and shut off all power before leaving machine.
- Remove all rings, watches, and jewelry when operating machine. Do not wear loose fitting clothing or long hair unrestrained which may become caught or entangled in equipment.
- Persons under the influence of drugs or alcohol or who are subject to seizures, dizziness or loss of physical control must not operate this machine.

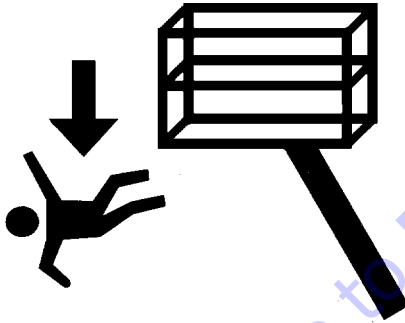
- Hydraulic cylinders are subject to thermal expansion and contraction. This may result in changes to the platform position while the machine is stationary. Factors affecting thermal movement can include the length of time the machine will remain stationary, hydraulic oil temperature, ambient air temperature, and platform position.

Trip and Fall Hazards

- Prior to operation, ensure all gates are closed and fastened in their proper position.
- During operation, occupants in the platform must wear a full body harness with a lanyard attached to an authorized lanyard anchorage point. Attach only one (1) lanyard per lanyard anchorage point.



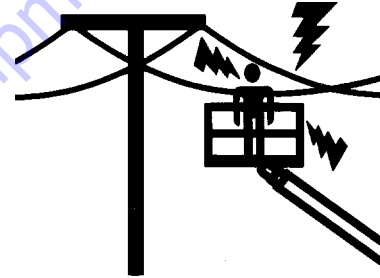
- Enter and exit only through gate area. Use extreme caution when entering or leaving platform. Ensure that the platform assembly is fully lowered. Face the platform when entering or leaving the platform. Always maintain “three point contact” with the machine, using two hands and one foot or two feet and one hand at all times during entry and exit.
- Before operating the machine, make sure all gates are closed and fastened in their proper position.



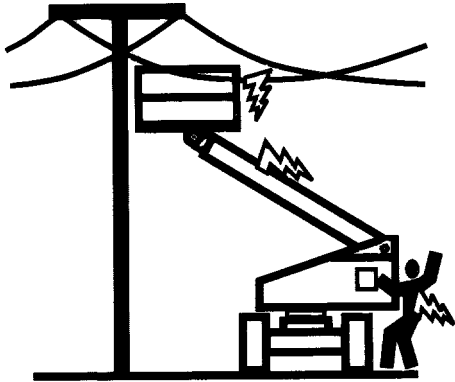
- Keep both feet firmly positioned on the platform floor at all times. Never position ladders, boxes, steps, planks, or similar items on unit to provide additional reach for any purpose.
- Keep oil, mud, and slippery substances cleaned from footwear and the platform floor.

Electrocution Hazards

- This machine is not insulated and does not provide protection from contact or proximity to electrical current.



SECTION 1 - SAFETY PRECAUTIONS



- Maintain distance from electrical lines, apparatus, or any energized (exposed or insulated) parts according to the Minimum Approach Distance (MAD) as shown in Table 1-1.
- Allow for machine movement and electrical line swaying.

Table 1-1. Minimum Approach Distances (M.A.D.)

Voltage Range (Phase to Phase)	MINIMUM APPROACH DISTANCE in Feet (Meters)
0 to 50 KV	10 (3)
Over 50KV to 200 KV	15 (5)
Over 200 KV to 350 KV	20 (6)
Over 350 KV to 500 KV	25 (8)
Over 500 KV to 750 KV	35 (11)
Over 750 KV to 1000 KV	45 (14)

NOTE: *This requirement shall apply except where employer, local or governmental regulations are more stringent.*

- Maintain a clearance of at least 10 ft. (3m) between any part of the machine and its occupants, their tools, and their equipment from any electrical line or apparatus carrying up to 50,000 volts. One foot additional clearance is required for every additional 30,000 volts or less.

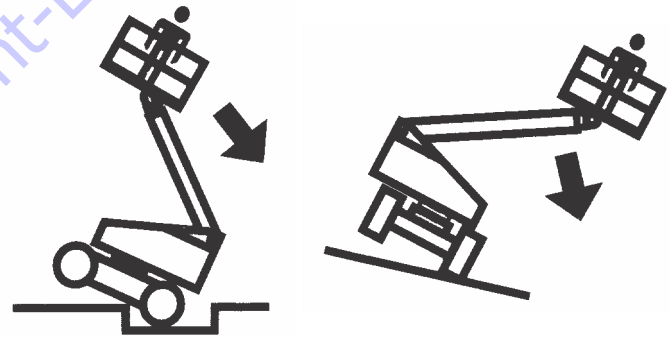
- The minimum approach distance may be reduced if insulating barriers are installed to prevent contact, and the barriers are rated for the voltage of the line being guarded. These barriers shall not be part of (or attached to) the machine. The minimum approach distance shall be reduced to a distance within the designed working dimensions of the insulating barrier. This determination shall be made by a qualified person in accordance with the employer, local, or governmental requirements for work practices near energized equipment.

⚠ DANGER

DO NOT MANEUVER MACHINE OR PERSONNEL INSIDE PROHIBITED ZONE (MAD). ASSUME ALL ELECTRICAL PARTS AND WIRING ARE ENERGIZED UNLESS KNOWN OTHERWISE.

Tipping Hazards

- Ensure that the ground conditions are adequate to support the maximum tire load indicated on the tire load decals located on the chassis adjacent to each wheel. Do not travel on unsupported surfaces.
- The user must be familiar with the operating surface before driving. Do not exceed the allowable sideslope and grade while driving.



- Do not elevate platform or drive with platform elevated while on or near a sloping, uneven, or soft surface. Ensure machine is positioned on a smooth, firm surface within the limits of the maximum operating slope before elevating platform or driving with the platform in the elevated position.

SECTION 1 - SAFETY PRECAUTIONS

- Before driving on floors, bridges, trucks, and other surfaces, check allowable capacity of the surfaces.
- Never exceed the maximum platform capacity as specified on the platform. Keep all loads within the confines of the platform, unless authorized by JLG.
- Keep the chassis of the machine a minimum of 2 ft. (0.6m) from holes, bumps, drop-offs, obstructions, debris, concealed holes, and other potential hazards at the ground level.
- Do not push or pull any object with the boom.
- Never attempt to use the machine as a crane. Do not tie-off machine to any adjacent structure. Never attach wire, cable, or any similar items to platform.
- If boom assembly or platform is in a position that one or more wheels are off the ground, all persons must be removed before attempting to stabilize the machine. Use cranes, forklift trucks, or other appropriate equipment to stabilize machine.
- Do not operate the machine when wind conditions, including gusts, exceed specifications shown in section 6-2 of this manual or as shown on the capacity placard on the platform billboard. Factors affecting wind speed are; platform elevation, surrounding structures, local weather events, and approaching storms.
- Wind speed can be significantly greater at height than at ground level.
- Wind speed can change rapidly. Always consider approaching weather events, the time required to lower the platform, and methods to monitor current and potential wind conditions.
- Do not cover or increase surface area of the platform or the load. Do not carry large surface area items in the platform when operating outdoors. The addition of such items increases the exposed wind area of the machine. Increased areas exposed to wind will decrease stability.
- Do not increase the platform size with unauthorized modifications or attachments.

NOTICE

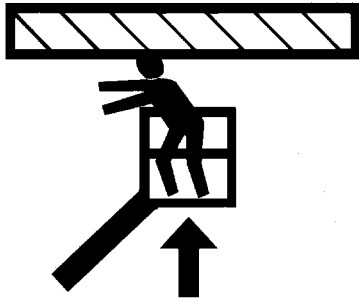
DO NOT OPERATE THE MACHINE WHEN WIND CONDITIONS EXCEED SPECIFICATIONS SHOWN IN SECTION 6.2 OR AS SHOWN ON THE CAPACITY PLACARD ON THE PLATFORM BILLBOARD.

Table 1-2. Beaufort Scale (For Reference Only)

Beaufort Number	Wind Speed		Description	Land Conditions
	mph	m/s		
0	0	0-0.2	Calm	Calm. Smoke rises vertically
1	1-3	0.3-1.5	Light air	Wind motion visible in smoke
2	4-7	1.6-3.3	Light breeze	Wind felt on exposed skin. Leaves rustle
3	8-12	3.4-5.4	Gentle breeze	Leaves and smaller twigs in constant motion
4	13-18	5.5-7.9	Moderate breeze	Dust and loose paper raised. Small branches begin to move.
5	19-24	8.0-10.7	Fresh breeze	Smaller trees sway.
6	25-31	10.8-13.8	Strong breeze	Large branches in motion. Flags waving near horizontal. Umbrella use becomes difficult.
7	32-38	13.9-17.1	Near Gale/Moderate Gale	Whole trees in motion. Effort needed to walk against the wind.
8	39-46	17.2-20.7	Fresh Gale	Twigs broken from trees. Cars veer on road.
9	47-54	20.8-24.4	Strong Gale	Light structure damage.

Crushing and Collision Hazards

- Approved head gear must be worn by all operating and ground personnel.
- Watch for obstructions around machine and overhead when driving. Check clearances above, on sides, and bottom of platform during all operations.



- During operation, keep all body parts inside platform railing.
- Use the boom functions, not the drive function, to position the platform close to obstacles.
- Always post a lookout when driving in areas where vision is obstructed.

- Keep non-operating personnel at least 6 ft. (1.8m) away from machine during all operations.
- Under all travel conditions, the operator must limit travel speed according to conditions of ground surface, congestion, visibility, slope, location of personnel, and other factors.
- Be aware of stopping distances in all drive speeds. When driving in high speed, reduce drive speed before stopping. Travel grades in low speed only.
- Do not use high speed drive in restricted or close quarters or when driving in reverse.
- Exercise extreme caution at all times to prevent obstacles from striking or interfering with operating controls and persons in the platform.
- Ensure that operators of other overhead and floor level machines are aware of the MEWP's presence. Disconnect power to overhead cranes.
- Do not operate over ground personnel. Warn personnel not to work, stand, or walk under a raised boom or platform. Position barricades on floor if necessary.

1.4 TOWING, LIFTING, AND HAULING

- Never allow personnel in platform while towing, lifting, or hauling.
- This machine should not be towed, except in the event of emergency, malfunction, power failure, or loading/unloading. Refer to the Emergency Procedures section of this manual for emergency towing procedures.
- Ensure boom is in the stowed position and, if equipped, the turntable locked prior to towing, lifting or hauling. The platform must be completely empty of tools.
- When lifting machine, lift only at designated areas of the machine. Lift the unit with equipment of adequate capacity.
- Refer to the Machine Operation section of this manual for lifting information.

1.5 MAINTENANCE

This sub-section contains general safety precautions which must be observed during maintenance of this machine. Additional precautions to be observed during machine maintenance are inserted at the appropriate points in this manual and in the Service and Maintenance Manual. It is of utmost importance that maintenance personnel pay strict attention to these precautions to avoid possible injury to personnel or damage to the machine or property. A maintenance program must be established by a qualified person and must be followed to ensure that the machine is safe.

Maintenance Hazards

- Shut off power to all controls and ensure that all moving parts are secured from inadvertent motion prior to performing any adjustments or repairs.
- Never work under an elevated platform until it has been fully lowered to the full down position, if possible, or otherwise supported and restrained from movement with appropriate safety props, blocking, or overhead supports.
- DO NOT attempt to repair or tighten any hydraulic hoses or fittings while the machine is powered on or when the hydraulic system is under pressure.
- Always relieve hydraulic pressure from all hydraulic circuits before loosening or removing hydraulic components.

SECTION 1 - SAFETY PRECAUTIONS

- DO NOT use your hand to check for leaks. Use a piece of cardboard or paper to search for leaks. Wear gloves to help protect hands from spraying fluid.



- Use only replacement parts or components that are approved by JLG. To be considered approved, replacement parts or components must be identical or equivalent to original parts or components.
- Never attempt to move heavy parts without the aid of a mechanical device. Do not allow heavy objects to rest in an unstable position. Ensure adequate support is provided when raising components of the machine.
- Do not use machine as a ground for welding.
- When performing welding or metal cutting operations, precautions must be taken to protect the chassis from direct exposure to weld and metal cutting spatter.

- Do not refuel the machine with the engine running.
- Use only approved non-flammable cleaning solvents.
- Do not replace items critical to stability, such as batteries or solid tires, with items of different weight or specification. Do not modify the MEWP in any way to affect stability.
- Refer to the Service and Maintenance Manual for the weights of critical stability items.

WARNING

MODIFICATION OR ALTERATION OF A MEWP SHALL BE MADE ONLY WITH PRIOR WRITTEN PERMISSION FROM THE MANUFACTURER.

Battery Hazards

- Always disconnect batteries when servicing electrical components or when performing welding on the machine.
- Do not allow smoking, open flame, or sparks near battery during charging or servicing.
- Do not contact tools or other metal objects across the battery terminals.
- Always wear hand, eye, and face protection when servicing batteries. Ensure that battery acid does not come in contact with skin or clothing.

CAUTION

BATTERY FLUID IS HIGHLY CORROSIVE. AVOID CONTACT WITH SKIN AND CLOTHING AT ALL TIMES. IMMEDIATELY RINSE ANY CONTACTED AREA WITH CLEAN WATER AND SEEK MEDICAL ATTENTION.

- Charge batteries only in a well ventilated area.
- Avoid overfilling the battery fluid level. Add distilled water to batteries only after the batteries are fully charged.

TO PURCHASE THIS PRODUCT PLEASE CONTACT US



**Equipment Financing and
Extended Warranties Available**



**Discount-Equipment.com is your online resource for
commercial and industrial quality parts and equipment sales.**

561-964-4949

visit us on line @ www.discount-equipment.com

Select an option below to find your Equipment

Search by Manufacturer

Search by Product Type

Request a Quote

We sell worldwide for the brands: Genie, Terex, JLG, MultiQuip, Mikasa, Essick, Whiteman, Mayco, Toro Stone, Diamond Products, Generac Magnum, Airman, Haulotte, Barreto, Power Blanket, Nifty Lift, Atlas Copco, Chicago Pneumatic, Allmand, Miller Curber, Skyjack, Lull, Skytrak, Tsurumi, Husquvarna Target, Stow, Wacker, Sakai, Mi-T-M, Sullair, Basic, Dynapac, MBW, Weber, Bartell, Bennar Newman, Haulotte, Ditch Runner, Menegotti, Morrison, Contec, Buddy, Crown, Edco, Wyco, Bomag, Laymor, EZ Trench, Bil-Jax, F.S. Curtis, Gehl Pavers, Heli, Honda, ICS/PowerGrit, IHI, Partner, Imer, Clipper, MMD, Koshin, Rice, CH&E, General Equipment, Amida, Coleman, NAC, Gradall, Square Shooter, Kent, Stanley, Tamco, Toku, Hatz, Kohler, Robin, Wisconsin, Northrock, Oztec, Toker TK, Rol-Air, APT, Wylie, Ingersoll Rand / Doosan, Innovatech, Con X, Ammann, Mecalac, Makinex, Smith Surface Prep, Small Line, Wanco, Yanmar

SECTION 2. USER RESPONSIBILITIES, MACHINE PREPARATION, AND INSPECTION

2.1 PERSONNEL TRAINING

The Mobile Elevating Work Platform (MEWP) is a personnel handling device; so it is necessary that it be operated and maintained only by trained personnel.

Operator Training

Operator training must cover:

1. Reading and understanding the Operation and Safety Manual.
2. Thorough understanding of the intended purpose and function of the MEWP controls, including platform, ground, and emergency descent controls.
3. Control labels, instructions, and warnings on the machine.
4. Applicable regulations, standards, and safety rules.
5. Use of approved fall protection equipment.
6. Enough knowledge of the mechanical operation of the machine to recognize a malfunction or potential malfunction.
7. The safest means to operate the machine where overhead obstructions, other moving equipment, and obstacles, depressions, holes, and drop-offs exist.
8. Means to avoid the hazards of unprotected electrical conductors.
9. Selection of the appropriate MEWP and available options for the work to be performed considering specific job requirements, with involvement from the MEWP owner, user, and/or supervisor.
10. The responsibility of the operator to ensure all platform occupants have a basic level of knowledge to work safely on the MEWP, and to inform them of applicable regulations, standards, and safety rules.
11. The requirement for familiarization in addition to training.

Training Supervision

Training must be delivered by a qualified person in an open area free of hazards until the trainee has demonstrated the ability to safely control and operate the machine.

Operator Responsibility

The operator must be instructed that he/she has the responsibility and authority to shut down the machine in case of a malfunction or other unsafe condition of either the machine or the job site.

Machine Familiarization

NOTE: Responsibilities for familiarization may vary by region.

Only properly trained personnel who have received unit-specific familiarization shall operate a MEWP. The user shall determine if personnel are qualified to operate the MEWP prior to operation. The user shall ensure that after familiarization, the operator operates the MEWP for a sufficient period of time to achieve proficiency. When authorized by the user, self-familiarization can be achieved, if authorized, by a properly trained operator reading, understanding and following the manufacturer's operator's manual.

Prior to users authorization of an operator to use a specific model of MEWP, the user shall ensure the operator is familiarized on the following:

1. Location of the manual storage compartment and the requirement to ensure the required manual(s) are present on the MEWP;
2. Purpose and function of the machine controls and indicators at the platform and ground control stations;
3. Purpose, location, and function of the emergency controls;

4. Operating characteristics and limitations;
5. Features and devices;
6. Accessories and optional equipment.

2.2 PREPARATION, INSPECTION, AND MAINTENANCE

The following table covers periodic machine inspections and maintenance required by JLG Industries, Inc. Consult local regulations for further requirements for MEWPs. Frequency of inspections and maintenance must be increased as necessary when machine is used in a harsh or hostile environment, if machine is used with increased frequency, or if machine is used in a severe manner.

SECTION 2 - USER RESPONSIBILITIES, MACHINE PREPARATION, AND INSPECTION

Table 2-1. Inspection and Maintenance Table

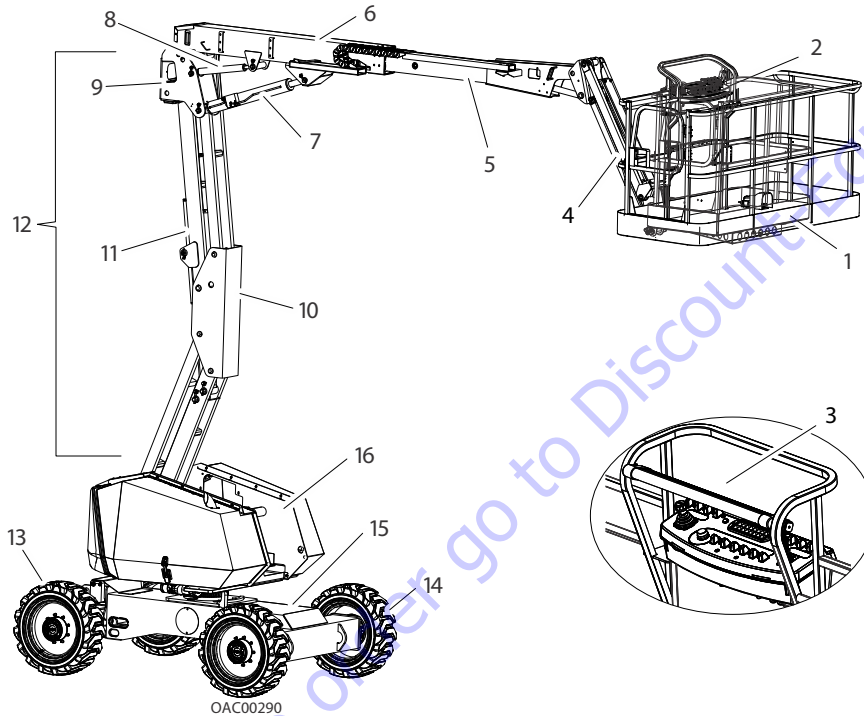
Type	Frequency	Primary Responsibility	Service Qualification	Reference
Pre-Start Inspection	Before using each day; or whenever there's an Operator change.	User or Operator	User or Operator	Operator and Safety Manual
Pre-Delivery Inspection (See Note)	Before each sale, lease, or rental delivery.	Owner, Dealer, or User	Qualified JLG Mechanic	Service and Maintenance Manual and applicable JLG inspection form
Frequent Inspection (See Note)	In service for 3 months or 150 hours, whichever comes first; or Out of service for a period of more than 3 months; or Purchased used.	Owner, Dealer, or User	Qualified JLG Mechanic	Service and Maintenance Manual and applicable JLG inspection form
Annual Machine Inspection (See Note)	Annually, no later than 13 months from the date of prior inspection.	Owner, Dealer, or User	Factory Trained Service Technician (Recommended)	Service and Maintenance Manual and applicable JLG inspection form
Preventative Maintenance	At intervals as specified in the Service and Maintenance Manual.	Owner, Dealer, or User	Qualified JLG Mechanic	Service and Maintenance Manual

NOTE: Inspection forms are available from JLG. Use the Service and Maintenance Manual to perform inspections.

NOTICE

JLG INDUSTRIES, INC. RECOGNIZES A FACTORY TRAINED SERVICE TECHNICIAN AS A PERSON WHO HAS SUCCESSFULLY COMPLETED THE JLG SERVICE TRAINING SCHOOL FOR THE SPECIFIC JLG PRODUCT MODEL.

2.3 BASIC NOMENCLATURE

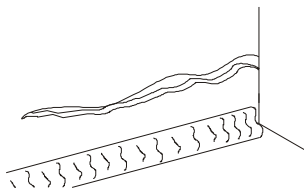


- 1. Platform
- 2. Platform Control Console
- 3. SkyGuard
- 4. Jib
- 5. Fly Boom Section
- 6. Base Boom Section
- 7. Main Lift Cylinder
- 8. Master Cylinder
- 9. Upper Upright
- 10. Lower Upright
- 11. Tower Lift Cylinder
- 12. Tower Boom
- 13. Front Drive/Steer Wheels
- 14. Rear Drive Wheels
- 15. Frame
- 16. Turntable

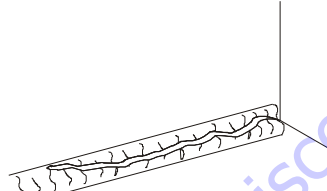
Pre-Start Inspection

The Pre-Start Inspection should include each of the following:

1. **Cleanliness** – Check all surfaces for leakage (oil, fuel, or battery fluid) or foreign objects. Report any leakage to the proper maintenance personnel.
2. **Structure** - Inspect the machine structure for dents, damage, weld or parent metal cracks or other discrepancies.



Parent Metal Crack



Weld Crack

3. **Decals and Placards** – Check all for cleanliness and legibility. Make sure none of the decals and placards are missing. Make sure all illegible decals and placards are cleaned or replaced.

4. **Operation and Safety Manuals** – Make sure a copy of the Operation and Safety Manual, AEM Safety Manual (ANSI markets only), and ANSI Manual of Responsibilities (ANSI markets only) is enclosed in the weather resistant storage container.
5. **Walk-Around Inspection** – Perform as instructed.
6. **Battery** – Charge as required.
7. **Fuel** (Combustion Engine Powered Machines) – Add the proper fuel as necessary.
8. **Engine Oil Supply** - Ensure the engine oil level is at the Full mark on the dipstick and the filler cap is secure.
9. **Hydraulic Oil** – Check the hydraulic oil level. Ensure hydraulic oil is added as required.
10. **Accessories/Attachments** - Refer to the Accessories section in this manual or accessory installed upon the machine for specific inspection, operation, and maintenance instructions.

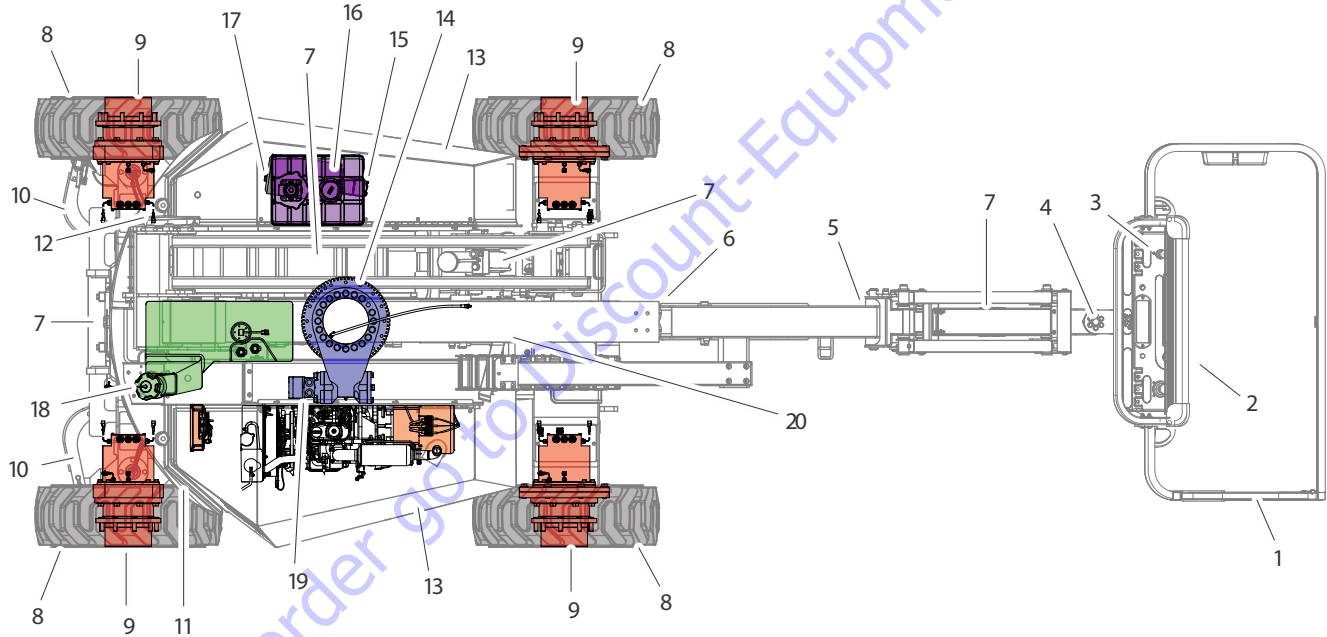
SECTION 2 - USER RESPONSIBILITIES, MACHINE PREPARATION, AND INSPECTION

11. **Function Check** – Once the Walk-Around Inspection is complete, perform a functional check of all systems in an area free of overhead and ground level obstructions. Refer to Section 4 for more specific operating instructions.
12. **Platform Gate** – Keep gate and surrounding area clean and unobstructed. Verify the gate closes properly and is not bent or damaged. Keep gate closed at all times except when entering/exiting the platform and loading/unloading materials.
13. **Lanyard Attach Points** – During operation, occupants in the platform must wear a full body harness with a lanyard attached to an authorized lanyard anchorage point. Attach only one (1) lanyard per lanyard anchorage point.

WARNING

IF THE MACHINE DOES NOT OPERATE PROPERLY, TURN OFF THE MACHINE IMMEDIATELY! REPORT THE PROBLEM TO THE PROPER MAINTENANCE PERSONNEL. DO NOT OPERATE THE MACHINE UNTIL IT IS DECLARED SAFE FOR OPERATION.

Walk-Around Inspection



SECTION 2 - USER RESPONSIBILITIES, MACHINE PREPARATION, AND INSPECTION

General

Begin the Walk-Around Inspection at Item 1, as noted on the diagram. Continue checking each item in sequence for the conditions listed in the following checklist.

WARNING

TO AVOID POSSIBLE INJURY, BE SURE MACHINE POWER IS OFF. DO NOT OPERATE MACHINE UNTIL ALL MALFUNCTIONS HAVE BEEN CORRECTED.

NOTICE

DO NOT OVERLOOK VISUAL INSPECTION OF CHASSIS UNDERSIDE. CHECKING THIS AREA MAY RESULT IN DISCOVERY OF CONDITIONS WHICH COULD CAUSE EXTENSIVE MACHINE DAMAGE.

INSPECTION NOTE: *On all components, make sure there are no loose or missing parts, that they are securely fastened, and no visible damage, leaks or excessive wear exists in addition to any other criteria mentioned.*

1. **Platform Assembly and Gate** - Footswitch works properly, not modified, disabled or blocked. Gate latches and hinges in working condition.
2. **SkyGuard** - See Inspection Note.

3. **Platform Control Console** - Switches and levers return to neutral when activated and released, decals/placards secure and legible, control markings legible.
4. **Platform Rotator** - See Inspection Note.
5. **Jib Assembly and Jib Rotator** - See Inspection Note.
6. **Boom Sections/Uprights/Turntable** - See Inspection Note.
7. **All Hydraulic Cylinders** - No visible damage; pivot pins and hydraulic hoses undamaged, not leaking.
8. **Wheel/Tire Assemblies** - Properly secured, no missing lug nuts. Inspect for worn tread, cuts, tears or other discrepancies. Inspect wheels for damage and corrosion.
9. **Drive Motor, Brake, and Hub** - No evidence of leakage.
10. **Tie Rod Ends and Steering Spindles** - See Inspection Note.
11. **Counterweight** - See Inspection Note.
12. **Ground Control Console** - Switches and levers return to neutral when activated and released, decals/placards secure and legible, control markings legible.
13. **Hood Assemblies** - See Inspection Note.
14. **Turntable Bearing** - Evidence of proper lubrication. No evidence of loose bolts or looseness between bearing and machine.

SECTION 2 - USER RESPONSIBILITIES, MACHINE PREPARATION, AND INSPECTION

15. **Manual Descent** - See Inspection Note.
16. **Hydraulic Reservoir** - See Inspection Note.
17. **Hydraulic Pump** - See Inspection Note.
18. **Fuel Tank** - See Inspection Note.
19. **Swing Motor and Worm Gear** - No evidence of damage.
20. **Battery** - Cables tight; see Inspection Note.

SECTION 2 - USER RESPONSIBILITIES, MACHINE PREPARATION, AND INSPECTION

Function Check

Prior to performing the function check, verify that the battery disconnect on the side of the frame works properly.

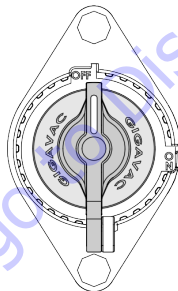
1. Position the Platform/Ground Select switch to the ground position.



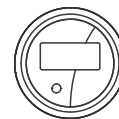
2. Pull out the Power/Emergency Stop Switch on the ground console to power up the machine.



3. Turn the Battery Disconnect Switch to the Off position.

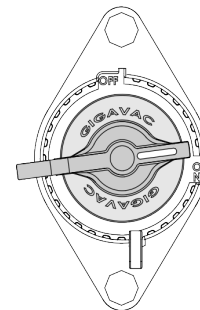


4. Watch the Indicator Gauge on the Ground Control Console to verify the power is disconnected.



NOTE: NOTE: If the Platform/Ground Select switch is in the Platform position, it will take approximately 10 seconds for the Control System power to be shut down.

5. If the power shuts down properly, turn the Battery Disconnect Switch back to the On position. Look at the display to verify the power has been turned back on and resume the Function Check. If the power did not shut down or turn on properly, Report the problem to the proper maintenance personnel. Do not operate the machine until it is declared safe for operation.



SECTION 2 - USER RESPONSIBILITIES, MACHINE PREPARATION, AND INSPECTION

Perform the Function Check as follows:

- 1.** From the ground control console with no load in the platform:
 - a.** Ensure that all machine functions are disabled when the Emergency Stop Button is pushed in.
 - b.** Ensure all functions stop when the function switch is released.
 - c.** Operate all functions and ensure proper operation;
 - d.** Ensure proper operation of the manual descent controls, as described in Section 5.4 of this manual.
- 2.** From the platform control console:
 - a.** Ensure that the control console is firmly secured in the proper location
 - b.** Check that all guards protecting the switches or locks are in place.
 - c.** Ensure that all machine functions are disabled when the Emergency Stop Button is pushed in.
 - d.** Ensure that all machine functions stop when the footswitch is released.
 - e.** Operate all functions and ensure proper operation.
- 3.** With the platform in the stowed position:
 - a.** Drive the machine on a grade, not to exceed the rated gradeability, and stop to ensure the brakes hold;
 - b.** Check that the tilt indicator is illuminated to ensure proper operation.
- 4.** Swing the boom over either of the rear tires and ensure that the Drive Orientation indicator illuminates and that the Drive Orientation Override switch must be used for the drive function to operate.

SkyGuard Function Test

NOTE: Refer to Section 4.11 for additional information on SkyGuard operation.

From the Platform Console in an area free from obstructions:

1. Operate the telescope out function.
2. Activate the SkyGuard sensor:
 - a. **SkyGuard** - Apply approximately 50 lb (222 Nm) of force to yellow bar.
 - b. **SkyGuard - SkyLine** - Press cable to break magnetic connection between the cable and right bracket.
 - c. **SkyGuard - SkyEye** - Put arm or hand in path of sensor beam.
3. Once the sensor has been activated, verify the following conditions:
 - a. Telescope out function stops and telescope in function operates for a short duration.
 - b. The horn sounds.
 - c. The SkyGuard beacon illuminates (if equipped).
4. Disengage the SkyGuard sensor, release controls, then recycle the footswitch. Ensure normal operation is available.

NOTE: On machines equipped with SkyLine, reattach magnetic end of the cable to the bracket.

If SkyGuard remains activated after function reversal or cutout, depress and hold the SkyGuard Override Switch to allow normal use of machine functions until the sensor is disengaged.

TO PURCHASE THIS PRODUCT PLEASE CONTACT US



**Equipment Financing and
Extended Warranties Available**



**Discount-Equipment.com is your online resource for
commercial and industrial quality parts and equipment sales.**

561-964-4949

visit us on line @ www.discount-equipment.com

Select an option below to find your Equipment

Search by Manufacturer

Search by Product Type

Request a Quote

We sell worldwide for the brands: Genie, Terex, JLG, MultiQuip, Mikasa, Essick, Whiteman, Mayco, Toro Stone, Diamond Products, Generac Magnum, Airman, Haulotte, Barreto, Power Blanket, Nifty Lift, Atlas Copco, Chicago Pneumatic, Allmand, Miller Curber, Skyjack, Lull, Skytrak, Tsurumi, Husquvarna Target, Stow, Wacker, Sakai, Mi-T-M, Sullair, Basic, Dynapac, MBW, Weber, Bartell, Bennar Newman, Haulotte, Ditch Runner, Menegotti, Morrison, Contec, Buddy, Crown, Edco, Wyco, Bomag, Laymor, EZ Trench, Bil-Jax, F.S. Curtis, Gehl Pavers, Heli, Honda, ICS/PowerGrit, IHI, Partner, Imer, Clipper, MMD, Koshin, Rice, CH&E, General Equipment, Amida, Coleman, NAC, Gradall, Square Shooter, Kent, Stanley, Tamco, Toku, Hatz, Kohler, Robin, Wisconsin, Northrock, Oztec, Toker TK, Rol-Air, APT, Wylie, Ingersoll Rand / Doosan, Innovatech, Con X, Ammann, Mecalac, Makinex, Smith Surface Prep, Small Line, Wanco, Yanmar

SECTION 3. MACHINE CONTROLS AND INDICATORS

3.1 GENERAL

NOTICE

THE MANUFACTURER HAS NO DIRECT CONTROL OVER MACHINE APPLICATION AND OPERATION. THE USER AND OPERATOR ARE RESPONSIBLE FOR CONFORMING WITH GOOD SAFETY PRACTICES.

This section provides the necessary information needed to understand control functions.

3.2 CONTROLS AND INDICATORS

NOTE: *The indicator panels use different shaped symbols to alert the operator to different types of operational situations that could arise. The meaning of those symbols are explained below.*



Indicates a potentially hazardous situation, which if not corrected, could result in serious injury or death. This indicator will be red.

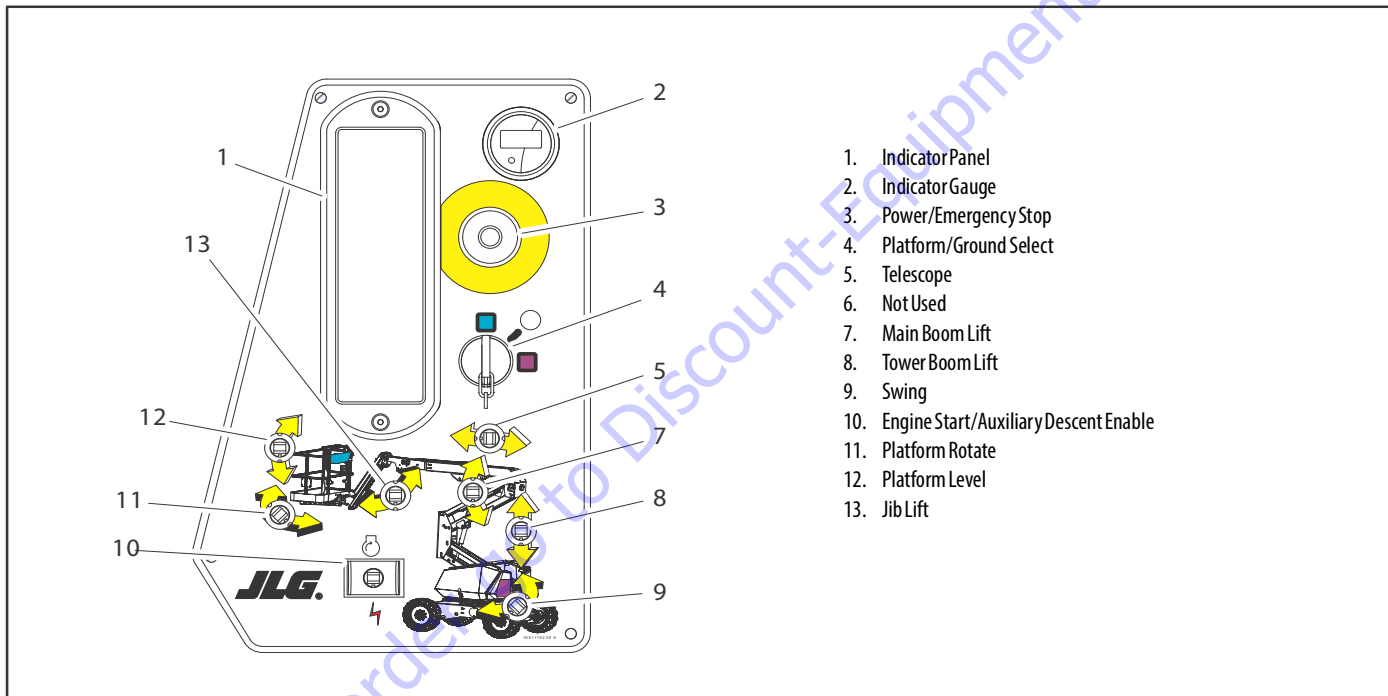


Indicates an abnormal operating condition, which if not corrected, may result in machine interruption or damage. This indicator will be yellow.

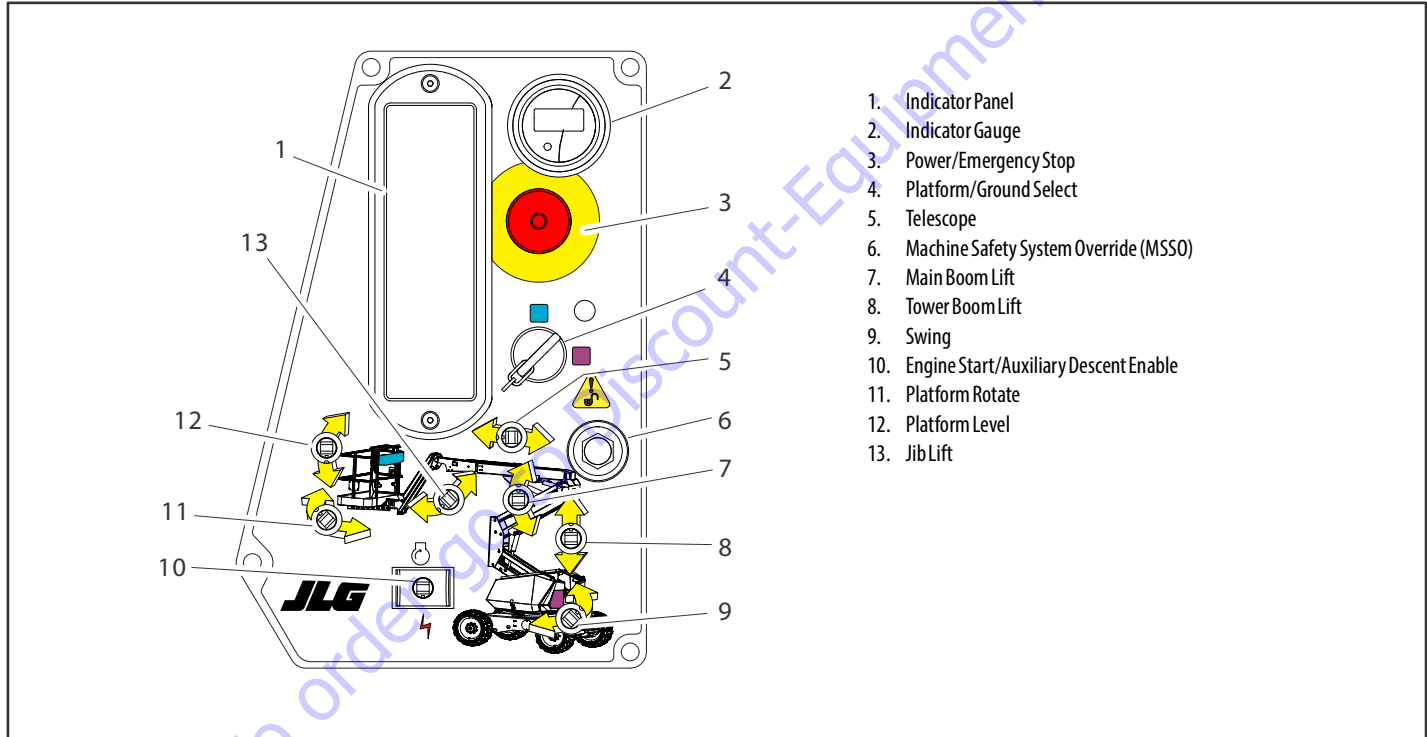


Indicates important information regarding the operating condition, i.e. procedures essential for safe operation. This indicator will be green with the exception of the capacity indicator which will be yellow.

3.3 GROUND CONTROL CONSOLE



3.4 GROUND CONTROL CONSOLE WITH MACHINE SAFETY SYSTEM OVERRIDE (MSSO) (CE ONLY)



1. Indicator Panel
2. Indicator Gauge
3. Power/Emergency Stop
4. Platform/Ground Select
5. Telescope
6. Machine Safety System Override (MSSO)
7. Main Boom Lift
8. Tower Boom Lift
9. Swing
10. Engine Start/Auxiliary Descent Enable
11. Platform Rotate
12. Platform Level
13. Jib Lift

SECTION 3 - MACHINE CONTROLS AND INDICATORS

⚠ WARNING

TO AVOID SERIOUS INJURY, DO NOT OPERATE MACHINE IF ANY CONTROL LEVERS OR TOGGLE SWITCHES CONTROLLING PLATFORM MOVEMENT DO NOT RETURN TO THE OFF OR NEUTRAL POSITION WHEN RELEASED.

1. Indicator Panel

The Indicator Panel contains indicator lights that signal problem conditions or functions operating during machine operation.

2. Indicator Gauge

Registers the amount of time the machine has been in use, with functions operating and also displays the state of battery discharge. In the event of a fault, the hourmeter also displays the three digit fault code. Refer to the Service Manual for a listing of fault codes. Additionally, there is a small, red indicator light that will illuminate when there is a fault on the machine to draw operator attention to the display.



3. Power/Emergency Stop Switch

A two-position red mushroom shaped switch supplies power to PLATFORM/GROUND SELECT switch when pulled out (on). When pushed in (off), power is shut off to the PLATFORM/GROUND SELECT switch.



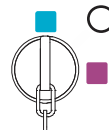
NOTE: *When the Platform/Ground Select Switch is in the center position, power is shut off to the controls at both operating consoles. Remove the key to prevent the controls from being actuated.*

NOTICE

ALWAYS POSITION EMERGENCY STOP SWITCH TO THE 'OFF' POSITION (PUSHED IN) WHEN MACHINE IS NOT IN USE.

4. Platform/Ground Select Switch

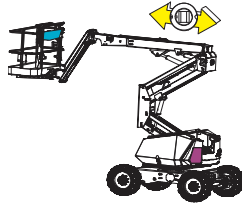
The three position, key operated switch supplies power to the platform control console when positioned to PLATFORM. With the switch key turned to the GROUND position only ground controls are operable.



SECTION 3 - MACHINE CONTROLS AND INDICATORS

5. Telescope Control

Provides extension and retraction of the boom.



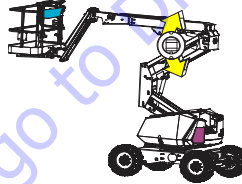
6. Machine Safety System Override (MSSO) (CE Only)

Provides emergency override of function controls that are locked out in the event of Load Sense System activation.



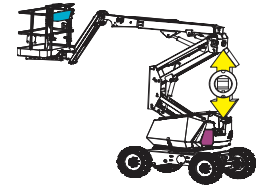
7. Main Boom Lift

Provides raising/lowering of the main boom.



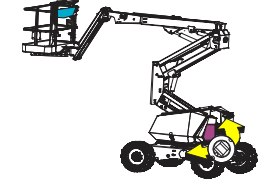
8. Tower Boom Lift

Provides raising and lowering of the tower boom.



9. Swing

Provides 355 degrees non-continuous turntable rotation.



10. Engine Start/ Auxiliary Descent Enable

To start the engine, the switch must be toggled UP until the engine starts.



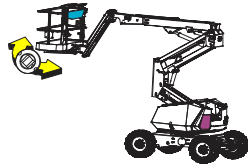
To use auxiliary descent enable, the switch must be held DOWN for duration of function use.



SECTION 3 - MACHINE CONTROLS AND INDICATORS

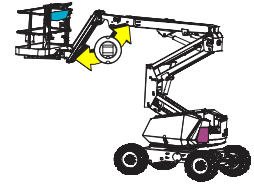
11. Platform Rotate

Provides rotation of the platform.



13. Jib Lift

Provides raising and lowering of the jib.

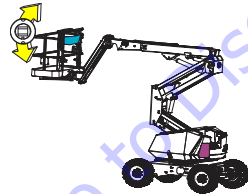


⚠ WARNING

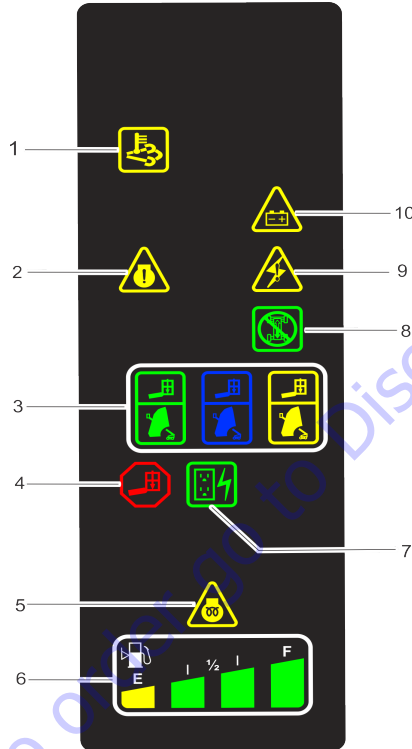
ONLY USE THE PLATFORM LEVELING OVERRIDE FUNCTION FOR SLIGHT LEVELING OF THE PLATFORM. INCORRECT USE COULD CAUSE THE LOAD/OCCUPANTS TO SHIFT OR FALL. FAILURE TO DO SO COULD RESULT IN DEATH OR SERIOUS INJURY.

12. Platform Leveling Override

A three position switch allows the operator to adjust the automatic self leveling system. This switch is used to adjust platform level in situations such as ascending/descending a grade.



3.5 GROUND CONTROL INDICATOR PANEL



1. Emissions Temperature
2. Engine Error
3. Capacity Zone Indicator
4. Platform Overload
5. Glow Plugs
6. Fuel Gauge
7. Generator
8. Drive Steer Disable (If Equipped)
9. System Distress
10. Battery Charge

SECTION 3 - MACHINE CONTROLS AND INDICATORS

1. Emissions Temperature Indicator

Icon illuminates when the engine emissions control sensor reaches a high temperature.



2. Engine Error Indicator

Indicates a fault with the engine and service is required.



3. Capacity Zone Indicator

Indicates the platform capacity zone for the current position of the platform. Restricted capacities are permitted at restricted platform positions (shorter boom lengths and higher boom angles).



4. Platform Overload Indicator

Indicates the platform has been overloaded.



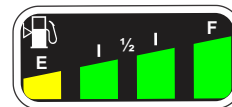
5. Glow Plug Indicator

Indicates the glow plugs are on. The glow plugs are automatically turned on with the ignition circuit and remain on for approximately seven seconds. Start the engine only after the light goes out.



6. Fuel Level Indicator

Indicates the level of fuel in the fuel tank.



7. AC Generator Indicator

Indicates the generator is in operation.



8. Drive and Steer Disable Indicator (If Equipped)

Indicates the Drive and Steer Disable function has been activated.



9. System Distress Indicator

The light indicates that the JLG Control System has detected an abnormal condition and a Diagnostic Trouble Code has been set in the system memory. Refer to the Service Manual for instructions concerning the trouble codes and trouble code retrieval.



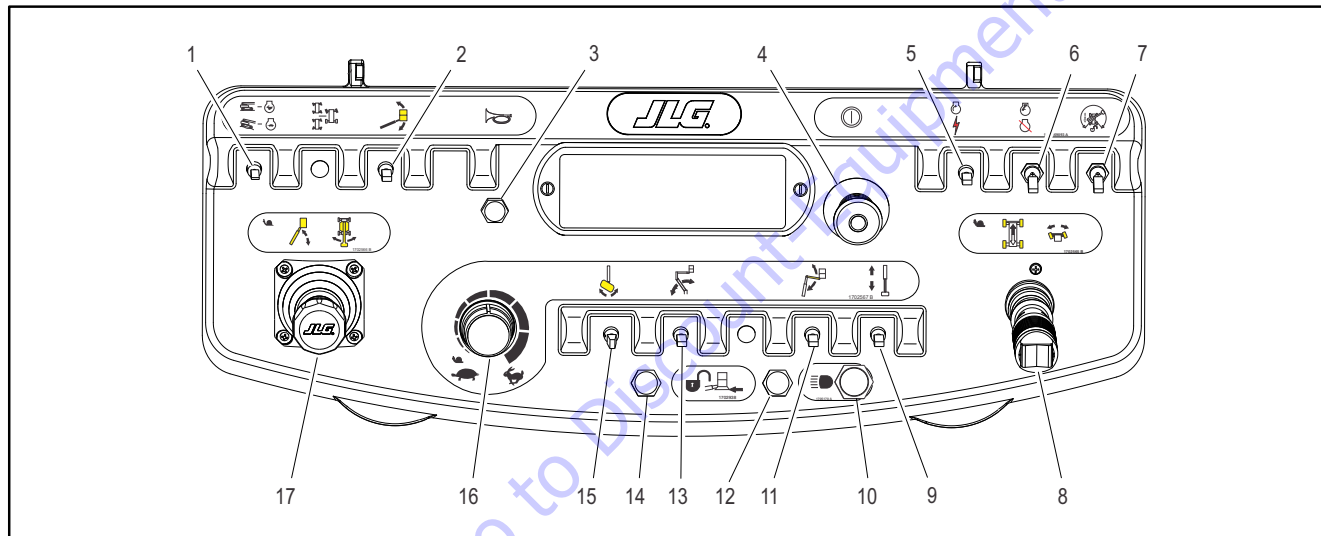
The system distress indicator light will illuminate for 2-3 seconds when the key is positioned to the ON position to act as a self test.

10. Battery Charge Indicator

Indicates a problem in the battery or charging circuit, and service is required.



3.6 PLATFORM CONTROL CONSOLE



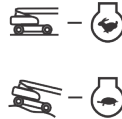
- | | | |
|-----------------------------------|-------------------------------|--------------------------------|
| 1. Maximum Speed/Reduced Speed | 7. Drive Orientation Override | 13. Tower Boom Lift |
| 2. Platform Leveling Override | 8. Drive/Steer | 14. SkyGuard Indicator |
| 3. Horn | 9. Telescope | 15. Platform Rotate |
| 4. Power/Emergency Stop | 10. Lights | 16. Function Speed Control |
| 5. Start/Auxiliary Descent Enable | 11. Jib Lift | 17. Main Lift/Swing Controller |
| 6. Generator Enable | 12. SkyGuard Override | |

⚠ WARNING

TO AVOID SERIOUS INJURY, DO NOT OPERATE MACHINE IF ANY CONTROL LEVERS OR TOGGLE SWITCHES CONTROLLING PLATFORM MOVEMENT DO NOT RETURN TO THE OFF OR NEUTRAL POSITION WHEN RELEASED.

1. Maximum Speed/Reduced Speed

Activating the Speed Mode switch allows the operator to select High or Low Speed travel operation.

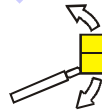


⚠ WARNING

ONLY USE THE PLATFORM LEVELING OVERRIDE FUNCTION FOR SLIGHT LEVELING OF THE PLATFORM. INCORRECT USE COULD CAUSE THE LOAD/OCCUPANTS TO SHIFT OR FALL. FAILURE TO DO SO COULD RESULT IN DEATH OR SERIOUS INJURY.

2. Platform Leveling Override

A three position switch allows the operator to adjust the automatic self leveling system. This switch is used to adjust platform level in situations such as ascending/descending a grade.



3. Horn

A push-type HORN switch supplies electrical power to an audible warning device when pressed.



4. Power/Emergency Stop Switch

A two-position red mushroom shaped switch furnishes power to PLATFORM Controls when pulled out (on). When pushed in (off), power is shut off to the platform functions.



SECTION 3 - MACHINE CONTROLS AND INDICATORS

5. Start/Auxiliary Descent Enable

When pushed forward, the switch energizes the starter motor to start the engine.



NOTE: After turning on ignition, the JLG Control System will wait until glow plug indicator light goes out before cranking engine.



When pushed back, it energizes Auxiliary Descent Enable which allows the boom and jib to be lowered in the event of system malfunction. Gravity is used to control valves and lower the booms and jib. The functions that can be operated with this control are:



- Main Lift Down
- Tower Lift Down
- Jib Lift Down

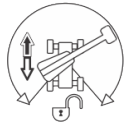
6. Generator Enable Control

The Generator Enable control switch, when in the off position, allows the operator to prevent the generator engine from starting when using the machine indoors. When in the on position (and the ground Emergency Stop Switch on [pulled out]), the generator is enabled to automatically start when the batteries need charged.



7. Drive Orientation Override

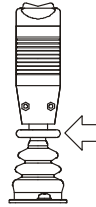
When the boom is swung over the rear tires or further in either direction, the Drive Orientation indicator will illuminate when the drive function is selected. Push and release the switch, and within 3 seconds move the Drive/Steer control to activate drive or steer. Before driving, locate the black/white orientation arrows on both the chassis and the platform controls. Move the drive controls in a direction matching the directional arrows for the intended direction of travel.



SECTION 3 - MACHINE CONTROLS AND INDICATORS

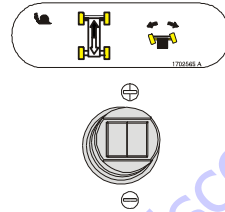
NOTE: To operate the Drive joystick, pull up on the locking ring below the handle.

NOTE: The Drive joystick is spring loaded and will automatically return to neutral (off) position when released.



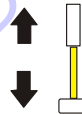
8. Drive/Steer

Push forward to drive forward, pull back to drive in reverse. Steering is accomplished via a thumb-activated rocker switch on the end of the drive joystick.



9. Telescope

Provides extension and retraction of the main boom.



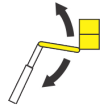
10. Lights (If Equipped)

This switch operates the accessory lights package if the machine is so equipped.



11. Jib Lift

Provides for raising or lowering of the jib.



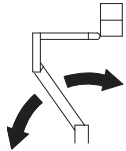
12. Skyguard Override Switch

The switch enables functions cut out by the Skyguard system to be operated again, allowing the operator to resume use of machine functions.



13. Tower Boom Lift

Provides for raising and lowering of tower boom.



14. SkyGuard Indicator

Indicates the SkyGuard sensor has been activated. All controls are cut out until the override button is pushed. Controls will then work normally.

15. Platform Rotate

Provides rotation of the platform.



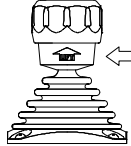
SECTION 3 - MACHINE CONTROLS AND INDICATORS

16. Function Speed Control

This control affects the speed of Telescope, Tower Lift and Jib Lift. Turning the knob all the way counterclockwise until it clicks puts Drive, Tower Lift and Swing into Creep mode.



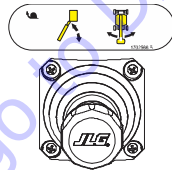
NOTE: To operate the Main Boom Lift/Swing joystick, pull up on the locking ring below the handle.



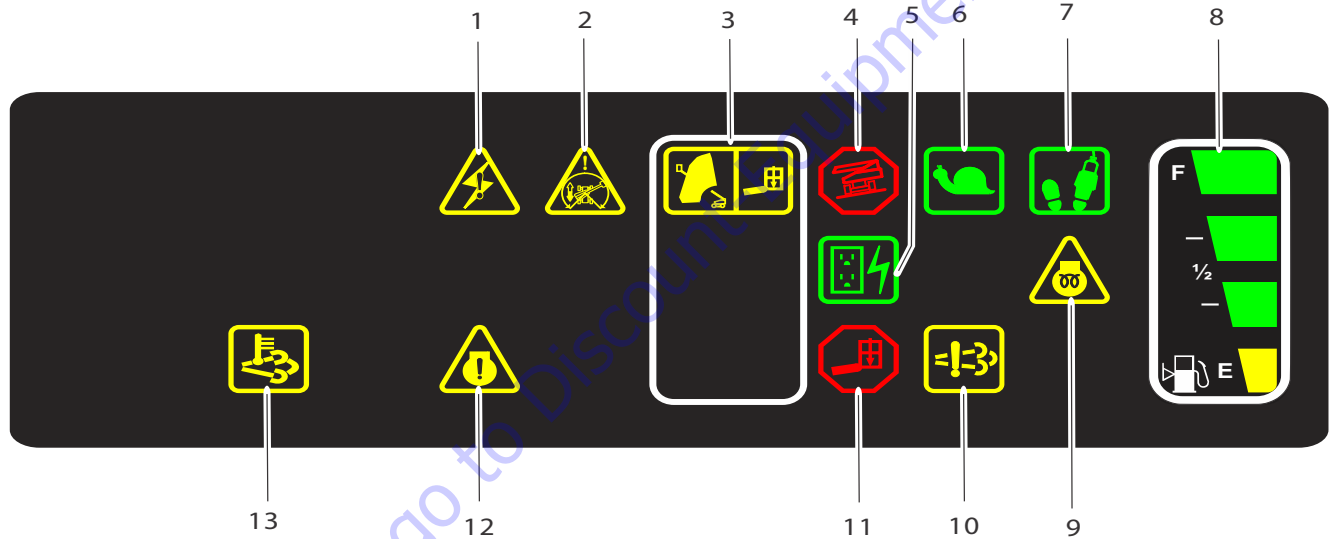
NOTE: The Main Boom Lift/Swing joystick is spring loaded and will automatically return to neutral (off) position when released.

17. Main Lift/Swing Controller

Provides main lift and swing. Push forward to lift up, pull backward to boom down. Move right to swing right, move left to swing left.



3.7 PLATFORM CONTROL INDICATOR PANEL



- | | | | |
|----------------------------|---------------|-----------------------|---------------------------|
| 1. System Distress | 5. Generator | 9. Glow Plug | 12. Engine Error |
| 2. Drive Orientation | 6. Creep | 10. Emissions Failure | 13. Emissions Temperature |
| 3. Capacity Zone Indicator | 7. Footswitch | | |
| 4. Tilt Alarm/Warning | 8. Fuel Gauge | | |

OAC01850

SECTION 3 - MACHINE CONTROLS AND INDICATORS

NOTE: The indicator lights will illuminate for approximately 1 second when the key is positioned to the on position to act as a self test.

1. System Distress Indicator



The light indicates that the JLG Control System has detected an abnormal condition and a Diagnostic Trouble Code has been set in the system memory. Refer to the Service Manual for instructions concerning the trouble codes and trouble code retrieval.

2. Drive Orientation Indicator



When the boom is swung beyond the rear drive tires or further in either direction, the Drive Orientation indicator will illuminate when the drive function is selected. This is a signal for the operator to verify that the drive control is being operated in the proper direction (i.e. controls reversed situations)

3. Capacity Zone Indicator



Indicates the platform capacity zone for the current position of the platform. Restricted capacities are permitted at restricted platform positions (shorter boom lengths and higher boom angles).

4. Tilt Warning Light and Alarm



This red illuminator indicates the chassis is on a slope. If the boom is above horizontal and the machine is on a slope, the tilt alarm warning light will illuminate, an alarm will sound, available functions are placed in Creep speed, and drive is cut out in the direction of travel. Drive in the opposite direction may be allowed under certain conditions.

Tilt Angle	Specification
4°	All Markets

⚠ WARNING

IF TILT WARNING LIGHT IS ILLUMINATED WHEN BOOM IS RAISED OR EXTENDED, RETRACT AND LOWER TO BELOW HORIZONTAL THEN REPOSITION MACHINE SO THAT IT IS WITHIN THE LIMITS OF THE MAXIMUM OPERATING SLOPE BEFORE EXTENDING BOOM OR RAISING BOOM ABOVE HORIZONTAL.

NOTE: When the tilt sensor alarm is activated the Drive function will be disabled if the boom is elevated above horizontal.

5. AC Generator Indicator



Indicates the generator is in operation.

SECTION 3 - MACHINE CONTROLS AND INDICATORS

6. Creep Speed Indicator

When the Function Speed Control is turned to the creep position, the indicator acts as a reminder that all functions are set to the slowest speed.



7. Footswitch/Enable Indicator

To operate any function, the footswitch must be depressed and the function selected within seven seconds. The enable indicator shows that the controls are enabled. If a function is not selected within seven seconds, or if a seven second lapse between ending one function and beginning the next function, the enable light will go out and the footswitch must be released and depressed again to enable the controls.



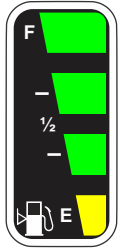
Releasing the footswitch removes power from all controls and stops all functions.

WARNING

TO AVOID SERIOUS INJURY, DO NOT REMOVE, MODIFY OR DISABLE THE FOOTSWITCH BY BLOCKING OR ANY OTHER MEANS.

8. Fuel Level Indicator

Indicates the level of fuel in the fuel tank.



9. Glow Plug/Wait to Start Indicator

Indicates the glow plugs are operating. After turning on ignition, wait until light goes out before cranking engine.



10. Engine Emissions System Failure Indicator

Icon illuminates when there is a fault with the Emissions After Treatment system.



SECTION 3 - MACHINE CONTROLS AND INDICATORS

11. Platform Overload Indicator

Indicates the platform has been overloaded.



12. Engine Error Indicator

Indicates a fault with the engine and service is required.



13. Emissions Temperature Indicator

Icon illuminates when the engine emissions control sensor reaches a high temperature.



TO PURCHASE THIS PRODUCT PLEASE CONTACT US



**Equipment Financing and
Extended Warranties Available**



**Discount-Equipment.com is your online resource for
commercial and industrial quality parts and equipment sales.**

561-964-4949

visit us on line @ www.discount-equipment.com

Select an option below to find your Equipment

Search by Manufacturer

Search by Product Type

Request a Quote

We sell worldwide for the brands: Genie, Terex, JLG, MultiQuip, Mikasa, Essick, Whiteman, Mayco, Toro Stone, Diamond Products, Generac Magnum, Airman, Haulotte, Barreto, Power Blanket, Nifty Lift, Atlas Copco, Chicago Pneumatic, Allmand, Miller Curber, Skyjack, Lull, Skytrak, Tsurumi, Husquvarna Target, Stow, Wacker, Sakai, Mi-T-M, Sullair, Basic, Dynapac, MBW, Weber, Bartell, Bennar Newman, Haulotte, Ditch Runner, Menegotti, Morrison, Contec, Buddy, Crown, Edco, Wyco, Bomag, Laymor, EZ Trench, Bil-Jax, F.S. Curtis, Gehl Pavers, Heli, Honda, ICS/PowerGrit, IHI, Partner, Imer, Clipper, MMD, Koshin, Rice, CH&E, General Equipment, Amida, Coleman, NAC, Gradall, Square Shooter, Kent, Stanley, Tamco, Toku, Hatz, Kohler, Robin, Wisconsin, Northrock, Oztec, Toker TK, Rol-Air, APT, Wylie, Ingersoll Rand / Doosan, Innovatech, Con X, Ammann, Mecalac, Makinex, Smith Surface Prep, Small Line, Wanco, Yanmar

SECTION 4. MACHINE OPERATION

4.1 DESCRIPTION

This machine is a mobile elevating work platform used to position personnel, along with their necessary tools and materials at work locations.

The primary operator control console is in the platform. From this control console, the operator can drive and steer the machine in both forward and reverse directions. The operator can raise or lower the boom or swing the boom to the left or right. Standard boom swing is 355 degree non-continuous. The machine has a Ground Control Station which will override the Platform Control Station. Ground Controls operate all functions except drive and steer. Except for performing inspections and the Function Check, the ground controls are to be used in an emergency to lower the platform to the ground should the operator in the platform be unable to do so.

4.2 BOOM OPERATING CHARACTERISTICS AND LIMITATIONS

Capacities

Raising boom above horizontal with or without any load in platform, is based on the following criteria:

1. Machine is positioned on a smooth, firm surface within the limits of the maximum operating slope.
2. Load is within manufacturers rated design capacity.
3. All machine systems are functioning properly.
4. Machine is as originally equipped from JLG.

Platform Load Sensing System (LSS)

The Platform Load Sensing System provides the platform capacity to the control system.

If the LSS system senses an overload condition, boom functions will be disabled, the overload indicator is illuminated at both control stations, and the overload alarm will sound. Reduce the weight in the platform to not exceed the rated workload indicated on the capacity decal, then the controls will work again.

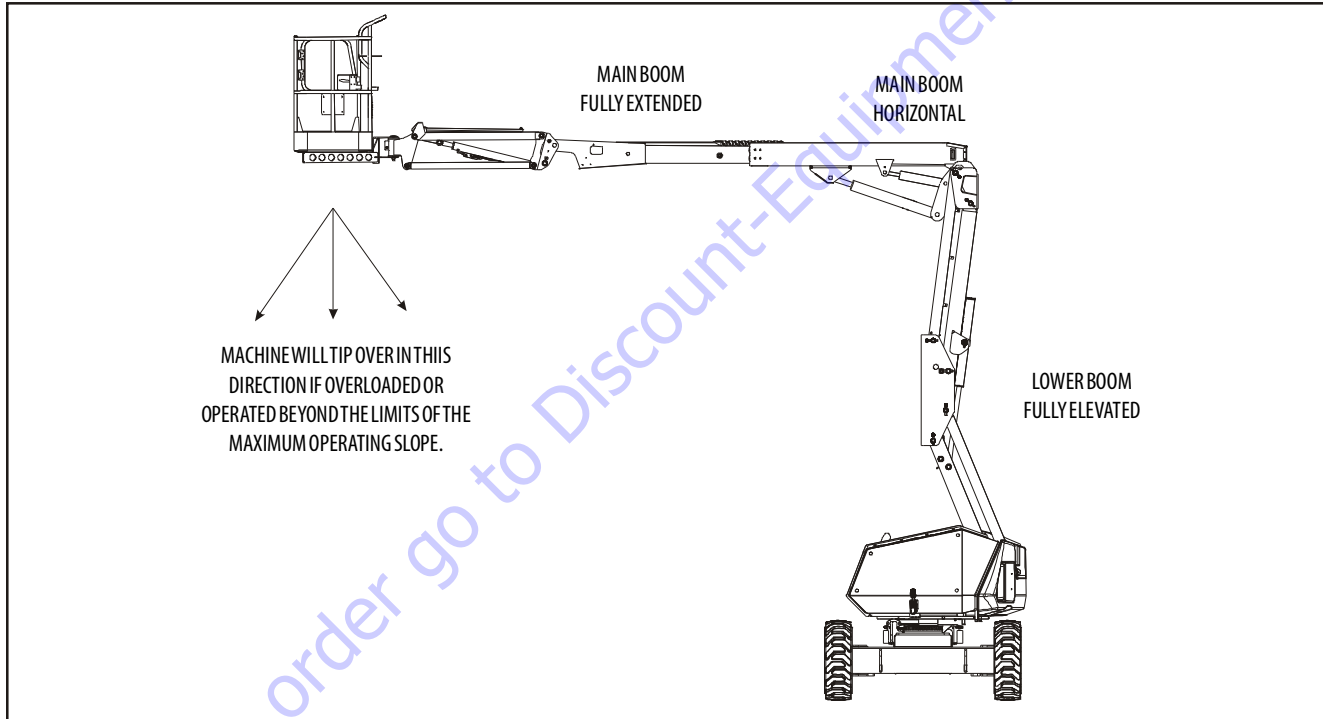
Stability

Machine stability is based on two (2) conditions which are called FORWARD and BACKWARD stability. The machine's position of least FORWARD stability and its position of least BACKWARD stability is shown in the following images.

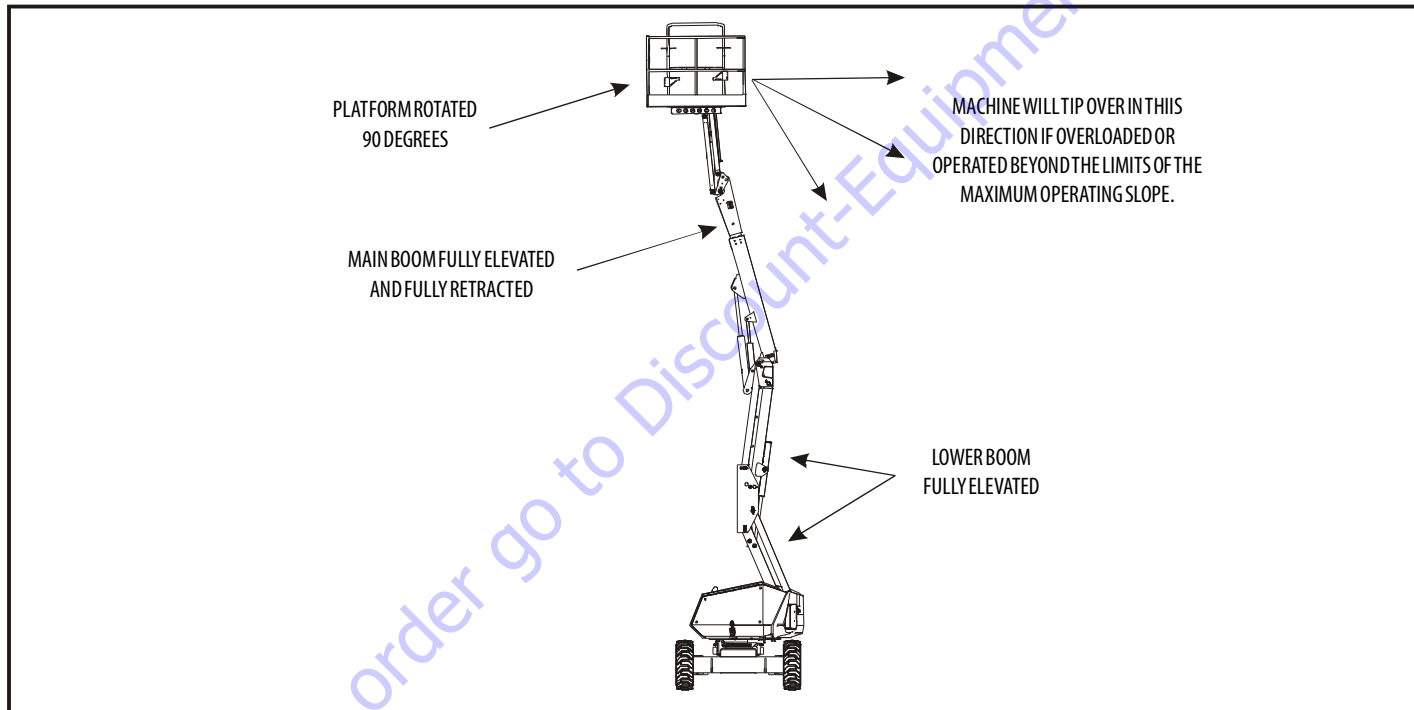
WARNING

TO AVOID FORWARD OR BACKWARD TIPPING, DO NOT OVERLOAD MACHINE OR OPERATE THE MACHINE BEYOND THE LIMIT OF THE MAXIMUM OPERATING SLOPE.

Position of Least Forward Stability



Position of Least Backward Stability



4.3 ENGINE OPERATION

NOTE: When operating a machine at high altitudes, a decrease in machine performance may occur due to a decrease in air density.

NOTE: When operating a machine at high ambient temperatures, a decrease in machine performance and an increase in engine coolant temperature may occur.

NOTE: Contact JLG Customer Service for operation under abnormal conditions.

There are three engine starting modes: Auto Start, Operator Start, and Jump Start. In the Auto Start mode, an audible warning will sound before the GenSet will start the engine. The other two modes require the operator to engage the Start switch to begin the engine start sequence.

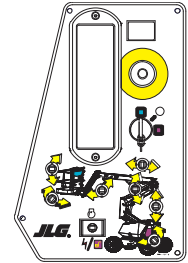
NOTE: The engine is started by the genset, not the engine starter. The engine starter only functions for Jump Start operation.

Auto Start Mode

The JLG Control System will automatically start the engine when the Generator Enable switch is in the On position and the JLG Control system reads the battery stack state of charge is in a Low Discharged State and an engine start is required to supply a charge to the battery stack.

Operator Start

NOTE: Initial starting should always be performed from the Ground Control console.



CAUTION

IF ENGINE FAILS TO START PROMPTLY, DO NOT CRANK FOR AN EXTENDED TIME. IF ENGINE FAILS AFTER SEVERAL ATTEMPTS, REFER TO ENGINE MAINTENANCE MANUAL.

SECTION 4 - MACHINE OPERATION

1. Turn key of Platform/Ground Select switch to Ground.



2. Pull the Power/Emergency Stop switch to On.



3. Push the Engine Start switch.



NOTE: After turning on ignition, the JLG Control System will wait until glow plug indicator light goes out before cranking engine.



CAUTION

ALLOW ENGINE TO WARM-UP FOR A FEW MINUTES AT LOW SPEED BEFORE APPLYING ANY LOAD.

4. After engine has had sufficient time to warm up, push in the Power/Emergency Stop switch and shut engine off.



5. Turn Platform/Ground Select switch to Platform.



6. Pull out the Ground Console Power/Emergency Stop switch to provide power to the platform controls.



7. From Platform, pull Power/Emergency Stop switch out.



8. Push the Engine Start switch.



NOTE: Footswitch must be in released (up) position before genset or starter will operate. If genset or starter operates with footswitch in the depressed position, DO NOT OPERATE MACHINE.

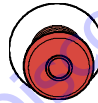
Shutdown Procedure

If the genset is in automatic mode, the engine will shut down

CAUTION

IF AN ENGINE MALFUNCTION CAUSES AN UNSCHEDULED SHUTDOWN, DETERMINE THE CAUSE AND CORRECT IT BEFORE RESTARTING THE ENGINE.

1. Remove all load and allow engine to operate at low speed for 3-5 minutes; this allows further reduction of internal engine temperature.
2. Push Power/Emergency Stop switch in.



3. Turn Platform/Ground Select switch to Off.

Refer to Engine Manufacturer's manual for detailed information.

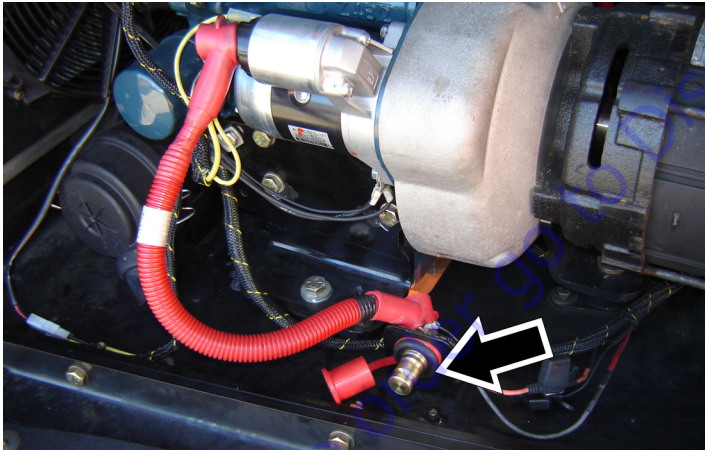


Jump Starting

The JLG Control System allows the operator to jump start the engine from an external battery in order to recover from a battery stack voltage that is too low in power for the genset module to start the engine. The JLG Control System senses the machine is in Jump Start mode when an external battery has been connected to machine jump terminal.

To start the machine in Jump Start Mode:

1. Connect the positive battery contact of the external battery to the machine jump terminal.



2. Connect the negative battery contact of the external battery to a grounded location on the machine.
3. Refer to Operator Start and start the engine.

Fuel Reserve / Shut-Off System (Diesel Engines Only)

The Fuel Shutoff System senses when the fuel level is getting low and automatically shuts the engine down before the fuel tank is emptied.

Depending upon machine setup, the machine will either keep the engine shut down until the fuel tank is refilled or the operator will be able to restart and run the engine for an additional minute. After 2 minutes, the engine will shut off for a second time and the machine will return to the engine shutdown mode until the fuel tank is refilled.

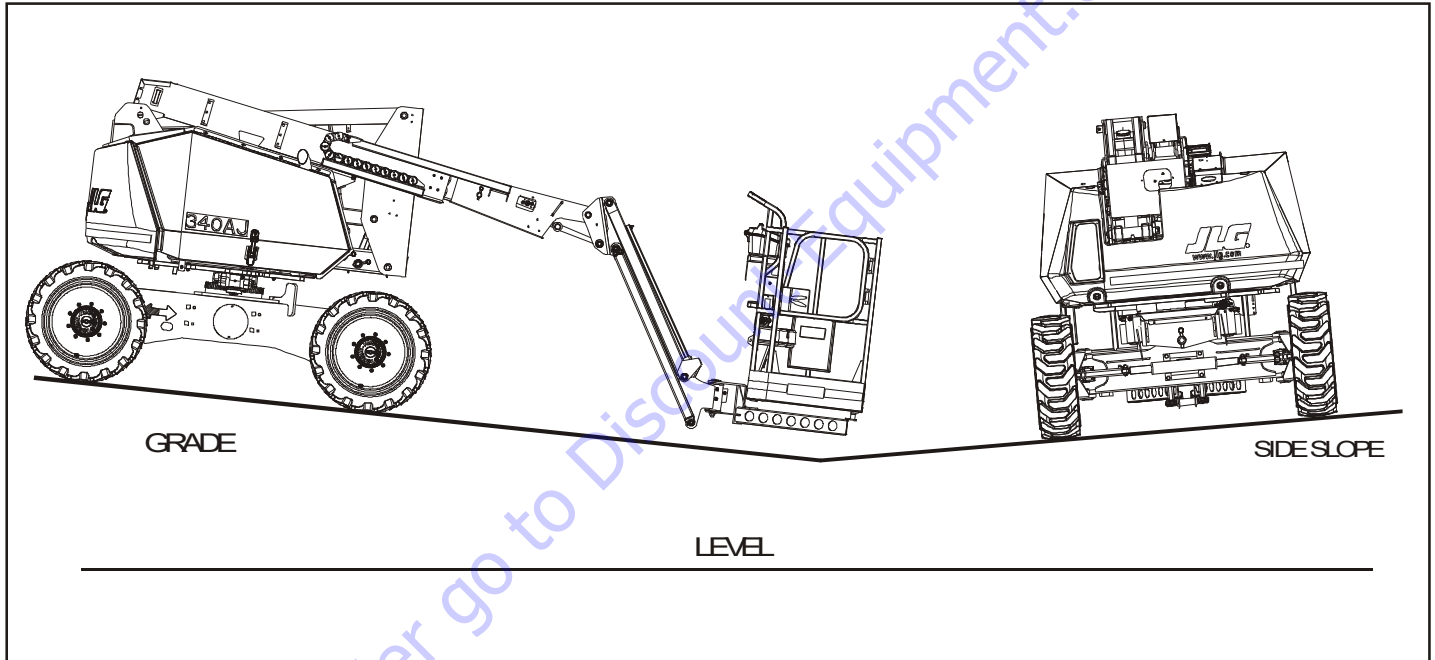


Figure 4-1. Grade and Side Slopes

4.4 TRAVELING (DRIVING)

See Figure 4-1., Grade and Side Slopes

NOTE: Refer to the Operating Specifications table for Gradeability and Sideslope ratings.

All ratings for Gradeability and Sideslope are based upon the machine's boom being in the stowed position, fully lowered, and retracted.

Traveling is limited by two factors:

1. Gradeability, which is the percent of grade of the incline the machine can climb.
2. Sideslope, which is the angle of the slope the machine can be driven across.

⚠ WARNING

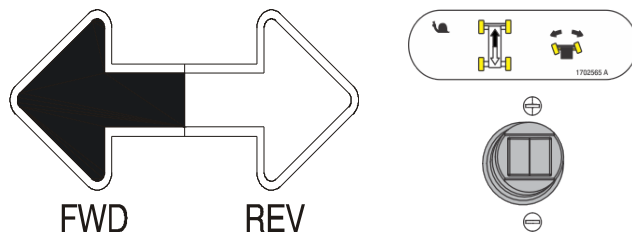
DO NOT DRIVE WITH BOOM ABOVE HORIZONTAL EXCEPT ON A SMOOTH, FIRM SURFACE WITHIN THE LIMITS OF THE MAXIMUM OPERATING SLOPE.

TO AVOID LOSS OF TRAVEL CONTROL OR TIP OVER, DO NOT DRIVE MACHINE ON GRADES EXCEEDING THOSE SPECIFIED IN THE OPERATING SPECIFICATIONS SECTION OF THIS MANUAL.

DO NOT DRIVE ON SIDESLOPES WHICH EXCEED 4 DEGREES.

USE EXTREME CAUTION WHEN DRIVING IN REVERSE AND AT ALL TIMES WHEN THE PLATFORM IS ELEVATED.

BEFORE DRIVING, LOCATE THE BLACK/WHITE ORIENTATION ARROWS ON BOTH THE CHASSIS AND THE PLATFORM CONTROLS. MOVE THE DRIVE CONTROLS IN A DIRECTION MATCHING THE DIRECTIONAL ARROWS FOR THE INTENDED DIRECTION OF TRAVEL.



Traveling Forward and Reverse

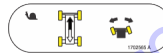
NOTICE

FOOTSWITCH MUST BE DEPRESSED PRIOR TO ACTIVATING AND FUNCTION, OTHERWISE FUNCTION WILL NOT OPERATE.

1. At Platform Controls, pull out Emergency Stop switch and activate footswitch.

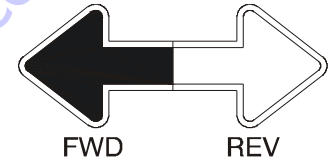


2. Position Drive controller to FORWARD or REVERSE as desired.



This machine is equipped with a Drive Orientation Indicator. The yellow light on the platform control console indicates that the boom is swung beyond the rear drive tires and the machine may Drive/Steer in the opposite direction from the movement of the controls. If the indicator is illuminated, operate the Drive function in the following manner:

1. Match the black and white direction arrows on both platform control console and the chassis to determine the direction the machine will travel.



2. Push and release the Drive Orientation Override switch. Within 3 seconds, slowly move the Drive control toward the arrow matching the intended direction of machine travel. The indicator light will flash during the 3 second interval until the drive function is selected.



Traveling on a Grade

When traveling a grade, maximum braking and traction are obtained with the boom stowed, in position over the rear (drive) axle, and in line with the direction of travel. Drive the machine forward when climbing a grade, and in reverse when descending a grade. Do not exceed the machine's maximum rated gradeability.

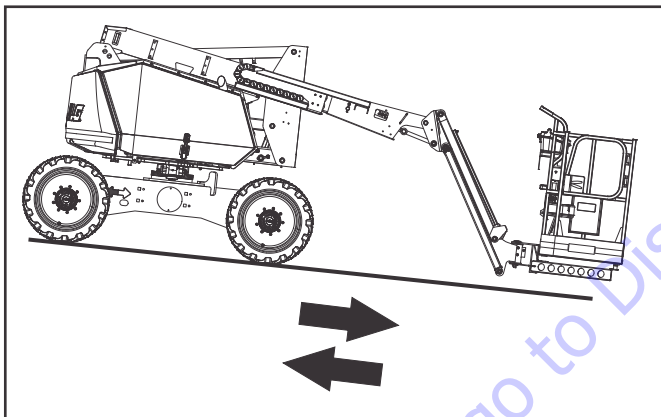


Figure 4-2. Traveling on a Grade

NOTICE

IF THE BOOM IS OVER THE FRONT (STEER) AXLE, DIRECTION OF STEER AND DRIVE MOVEMENT WILL BE OPPOSITE FROM THE MOVEMENT OF THE CONTROLS.

4.4 STEERING

Position thumb switch on Drive/Steer controller to Right for steering right, or to Left for steering left.



4.5 PLATFORM

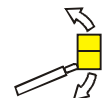
Platform Level Adjustment

⚠ WARNING

ONLY USE THE PLATFORM LEVELING OVERRIDE FUNCTION FOR SLIGHT LEVELING OF THE PLATFORM. INCORRECT USE COULD CAUSE THE LOAD/OCCUPANTS TO SHIFT OR FALL. FAILURE TO DO SO COULD RESULT IN DEATH OR SERIOUS INJURY.

NOTE: *On CE market machines, the Platform Leveling Override function will only operate when no other functions are being activated.*

To Level Up or Down - Position the Platform/Level control switch Up or Down and hold until the platform is level.



Platform Rotation

To rotate the platform to the left or right, use the Platform Rotate control switch to select the direction and hold until desired position is reached.



⚠ WARNING

TO AVOID SERIOUS INJURY, DO NOT OPERATE MACHINERY IF ANY CONTROL LEVER OR TOGGLE SWITCH CONTROLLING PLATFORM MOVEMENT DOES NOT RETURN TO THE 'OFF' OR NEUTRAL POSITION WHEN RELEASED.

⚠ CAUTION

TO AVOID A COLLISION AND INJURY IF PLATFORM DOES NOT STOP WHEN A CONTROL SWITCH OR LEVER IS RELEASED, REMOVE FOOT FROM FOOTSWITCH OR USE EMERGENCY STOP SWITCH TO STOP THE MACHINE.

4.6 BOOM

⚠ WARNING

A RED TILT WARNING LIGHT IS LOCATED ON THE CONTROL CONSOLE WHICH LIGHTS WHEN THE CHASSIS IS ON AN EXCESSIVE SLOPE. DO NOT SWING OR RAISE BOOM ABOVE HORIZONTAL WHEN LIGHT IS LIT.



DO NOT DEPEND ON TILT ALARM AS A LEVEL INDICATOR FOR THE CHASSIS. TILT ALARM INDICATES CHASSIS IS ON AN EXCESSIVE SLOPE (4 DEGREE OR GREATER). CHASSIS MUST BE POSITIONED WITHIN THE ALLOWABLE OPERATING SLOPE BEFORE SWINGING, OR RAISING BOOM ABOVE HORIZONTAL OR DRIVING WITH THE BOOM ELEVATED.

TO AVOID TIP OVER IF RED TILT WARNING LIGHT LIGHTS WHEN BOOM IS RAISED ABOVE HORIZONTAL, LOWER PLATFORM TO GROUND LEVEL. THEN REPOSITION MACHINE SO THAT CHASSIS IS LEVEL BEFORE RAISING BOOM.

TRAVELING WITH BOOM BELOW HORIZONTAL IS PERMITTED ON GRADES AND SIDE SLOPES SPECIFIED IN THE OPERATING SPECIFICATIONS SECTION OF THIS MANUAL.

Swinging the Boom

To swing boom, use Swing control switch to select Right or Left direction.



NOTICE

WHEN SWINGING THE BOOM MAKE SURE THERE IS AMPLE ROOM FOR THE BOOM TO CLEAR SURROUNDING WALLS, PARTITIONS AND EQUIPMENT.

Raising and Lowering the Tower Boom

To raise or lower the Tower Boom, position Tower Boom Lift switch to Up or Down until desired height is reached.



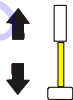
Raising and Lowering the Main Boom

To raise or lower the Main Boom, use Main Boom Lift controller to select Up or Down until desired height is reached.



Telescoping the Main Boom

To extend or retract the main boom, use the Main Telescope Control Switch to select In or Out movement.



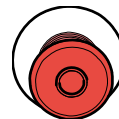
4.7 GENERATOR

The machine is equipped with an engine powered DC generator connected in parallel to the 48V DC battery bank.

Automatic Operating Mode

The generator will operate in automatic mode always when the following two conditions apply.

1. Ground Control Emergency Stop Switch is pulled out (on), **and:**



2. The Generator Enable switch on the platform control console is in the On or Enable position.

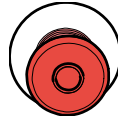


When the above conditions apply, the generator's controller will monitor status of the batteries, will turn on automatically when the battery voltage drops as a result of discharge and will turn off when batteries are fully charged.

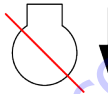
Battery Only Operating Mode

The machine will operate in the battery only mode when the following two conditions apply:

1. Ground Control Emergency Stop Switch is pulled out (on), **and:**



2. The switch on the platform control console is in the Off or Disable position.



In this mode the machine will operate as a conventional battery operated unit. The batteries can be used until they are fully discharged.

Manual (Charge) Operating Mode

The generator will operate in manual mode always when the following three conditions apply.

1. Ground Control Emergency Stop Switch is pulled out (on), **and:**



2. The switch on the platform control console is in the On or Enable position **and:**



3. The Manual Charge push button is activated.

Activation of the Manual Charge button will start the engine and initiate the charging cycle even if the batteries are charged above the level of automatic start. The operator can initiate the charge cycle to charge the batteries to the maximum level. The charging cycle will include finishing phase similar to conventional chargers.

4.8 INVERTER

The inverter converts 48 VDC to 110 VAC to allow operation of power tools from the machine's batteries.

- The inverter is operational when the emergency stop switch is pulled out.
- The machine and inverter can be operated at the same time.
- The inverter will shut off at approximately 42 VDC and stay off until the emergency stop switch is recycled. It will operate again until voltage drops to 42 VDC.
- The machine will operate down to 36 VDC.
- The inverter will shut down if the high temperature light indicated overheating. It will automatically turn back on when cooled.
- The overload light indicates an output wiring short circuit or a load that is too large for the rating of the inverter.

4.9 FUNCTION SPEED CONTROL

This control affects the speed of boom functions, Platform Rotate, Lift, Telescope, and Swing. When in the fully counterclockwise position Drive, Main Lift, Platform Rotate, and Swing are placed in creep speed.



4.10 MACHINE SAFETY SYSTEM OVERRIDE (MSSO) (CE ONLY)

The Machine Safety System Override (MSSO) is used to override function controls for Emergency Platform Retrieval only. Refer to Section 5.7, Machine Safety System Override (MSSO) (CE Only) for operating procedures.



4.11 SKYGUARD OPERATION

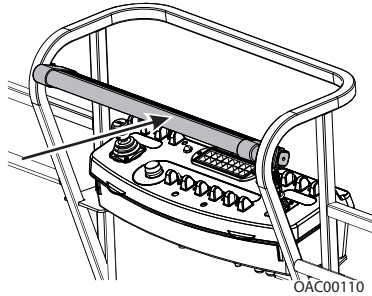
SkyGuard provides enhanced control panel protection. When the SkyGuard sensor is activated, functions in use at the time of activation will reverse or cutout. The SkyGuard Function Table provides more details on these functions.

During activation, the horn will sound and the SkyGuard beacon (if equipped) will illuminate until sensor and footswitch are disengaged.

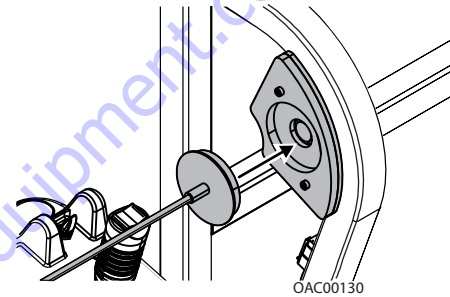
If the SkyGuard sensor remains activated after function reversal or cutout, depress and hold the SkyGuard Override Switch to allow normal functions until the sensor is disengaged.

Consult the following illustrations to determine which type of SkyGuard the machine has and how it is activated. Regardless of type, SkyGuard function according to the SkyGuard Function Table does not change.

SkyGuard

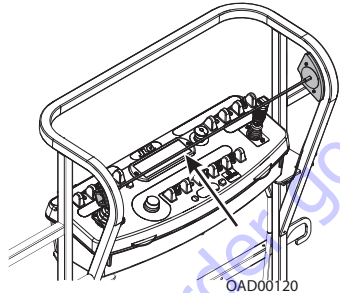


Approximately 50 lb (222 Nm) of force is applied to yellow bar.



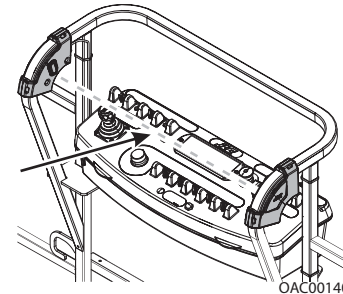
Reattach magnetic end of cable to bracket if it becomes disconnected.

SkyGuard - SkyLine



Cable is pressed, breaking the magnetic connection between the cable and right bracket.

SkyGuard - SkyEye



Operator passes through path of sensor beam.

SkyGuard Function Table

Drive Forward	Drive Reverse	Steer	Swing	Tower Lift Up	Tower Lift Down	Boom Lift Up	Boom Lift Down	Boom Tele Out	Boom Tele In	Jib Lift	Basket Level	Basket Rotate
R*/C**	R	C	R	R	C	R	R	R	C	C	C	C
R= Indicates Reversal is Activated												
C= Indicates Cutout is Activated												
*DOS Enabled Disregard when boom is in line and driving forward with or without steering and no other function active												
**DOS Disabled and any function is active if the machine is driving forward and in line												

4.12 SHUT DOWN AND PARK/STORAGE POSITION

Shut Down and Park

The preferred procedures to shut down and park the machine are as follows:

1. Drive machine to a reasonably well protected area.
2. Ensure boom is fully retracted and lowered over rear axle.
3. Shut down Emergency Stop at Platform Controls.
4. Shut down Emergency Stop at Ground Controls. Position Platform/Ground Select switch to center OFF (center position).
5. If necessary, cover Platform Controls to protect instruction placards, warning decals, and operating controls from hostile environment.

NOTICE

IF PARKING A MEWP WITH THE BOOM ELEVATED IN AN EFFORT TO CONSERVE SPACE, BOOMS MAY BE ELEVATED, BUT SHALL NOT BE EXTENDED. IT IS THE OPERATOR'S RESPONSIBILITY TO ENSURE ALL SAFETY PRECAUTIONS IN SECTION 1 OF THIS MANUAL ARE FOLLOWED FOR EACH UNIQUE SITUATION.

Storage Position

(See Figure 4-4.)

The procedure to place the machine in the storage position is as follows:

1. Place the machine in the stowed position. Refer to Figure 4-3. From the ground control station, raise the main boom at least to the elevation shown in Figure 4-4. The main boom must be raised to prevent the platform basket from hitting the ground during this procedure.
2. Activate Platform Level Down until the platform is in the position shown.

NOTICE

THE PLATFORM BASKET MUST NOT BE IN CONTACT WITH THE GROUND, BLOCKING, OR ANY TIE DOWN EQUIPMENT.

3. Place blocking under the platform support, lower the platform support down onto the blocking by using Main Boom Lift Down, and tie it down as shown in Figure 4-4.

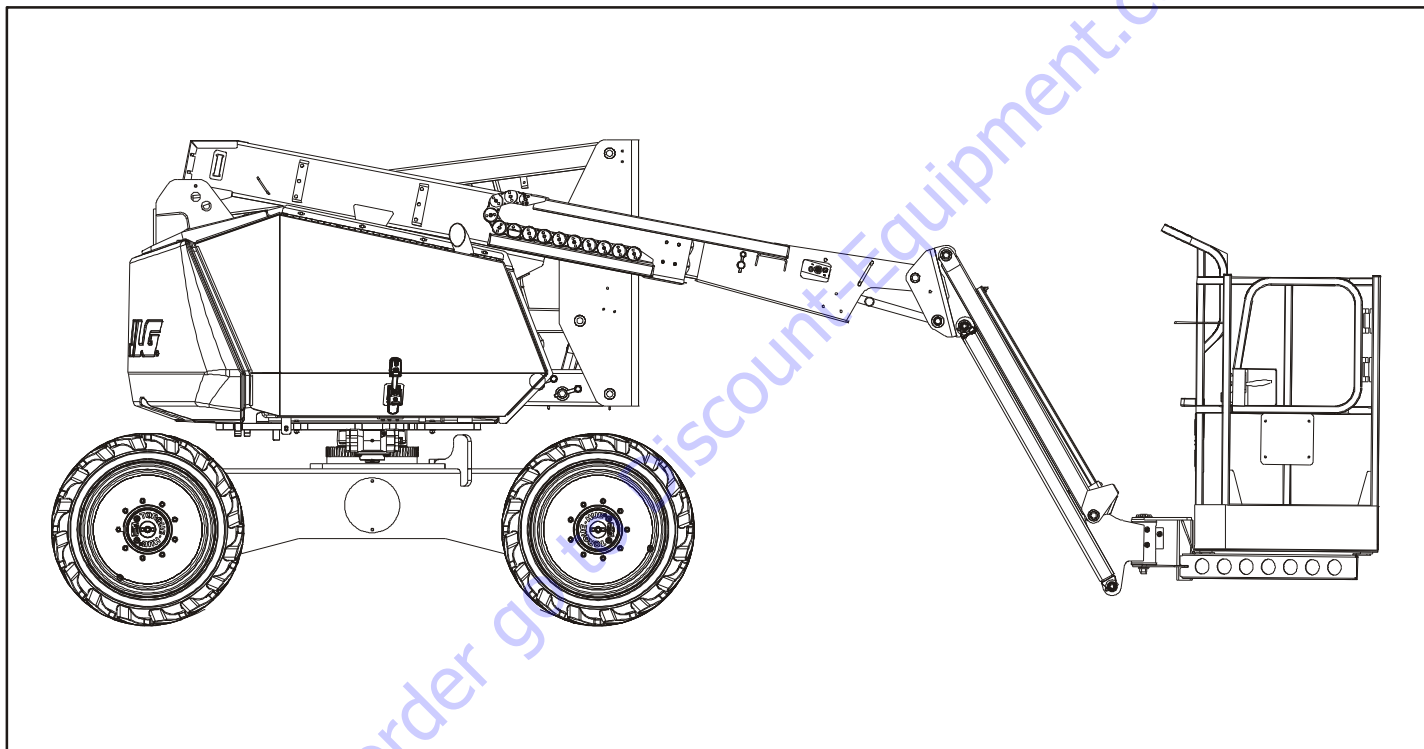


Figure 4-3. Stowed Position

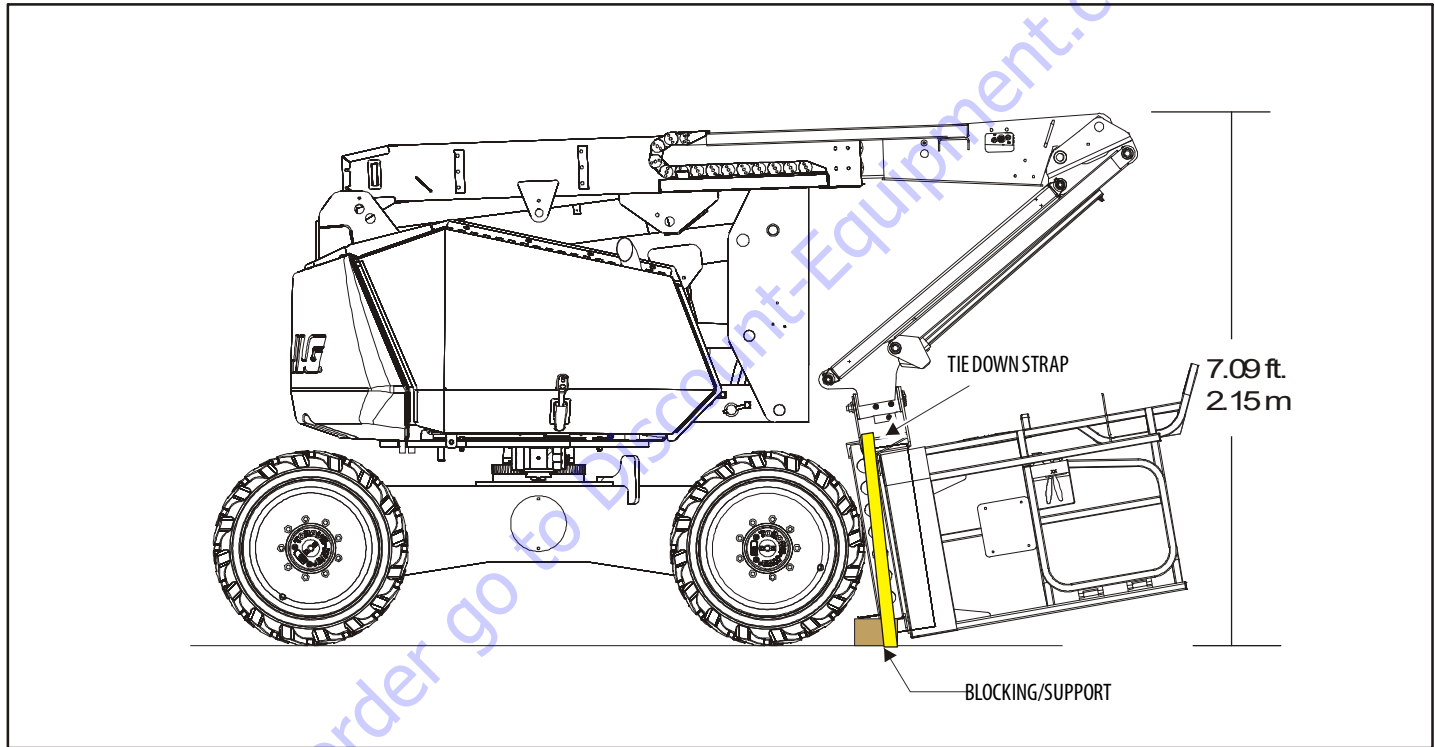


Figure 4-4. Storage Position

4.13 LIFTING AND TIE DOWN

(See Figure 4-5.)

Lifting

1. Refer to the Serial Number Plate, refer to the Specifications section of this manual, or weigh the individual unit to find out the Gross Vehicle Weight.
2. Place the boom in the stowed position.
3. Remove all loose items from the machine.
4. Properly adjust the rigging to prevent damage to the machine and so the machine remains level.

Tie Down

NOTICE

WHEN TRANSPORTING THE MACHINE IN THE STOWED POSITION, THE BOOM MUST BE FULLY LOWERED INTO THE BOOM REST.

1. Place the boom in the stowed position or storage position.
2. Remove all loose items from the machine.
3. Secure the chassis and the platform using straps or chains of adequate strength.

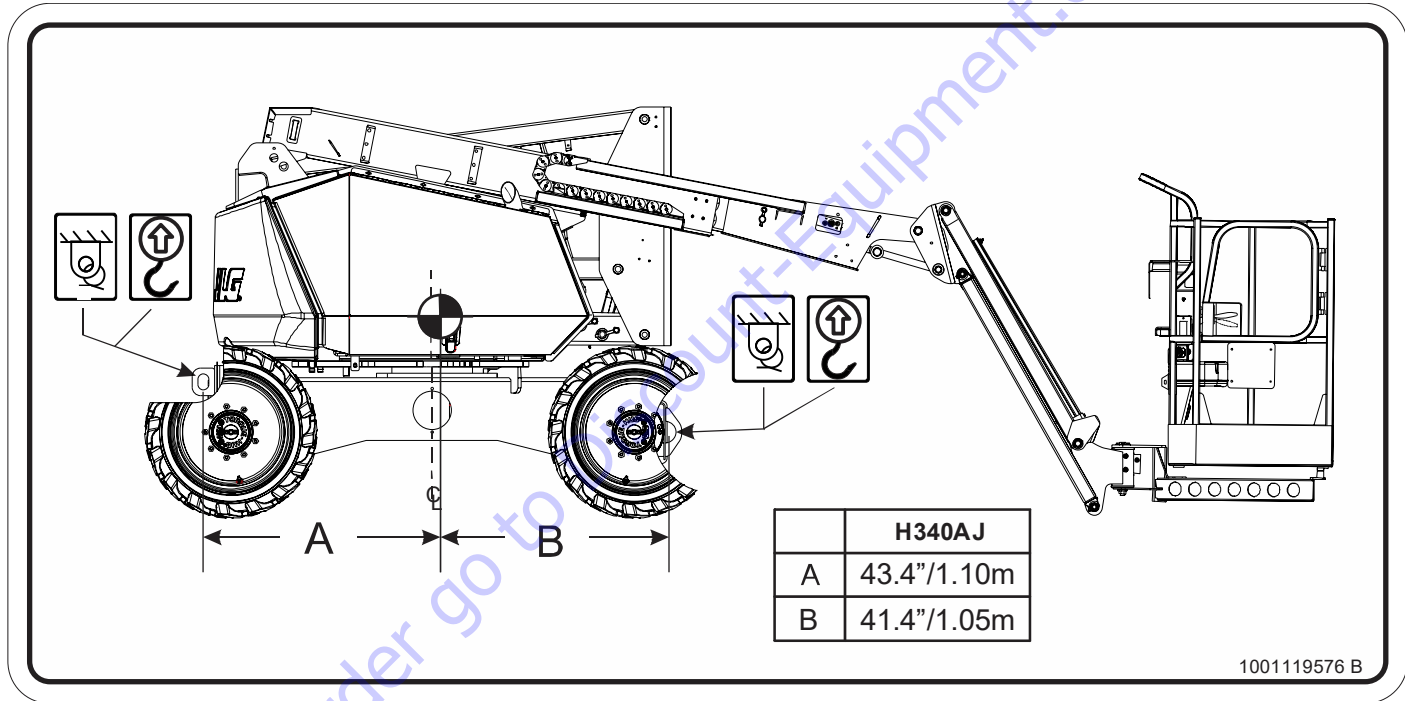


Figure 4-5. Lifting and Tie Down Chart

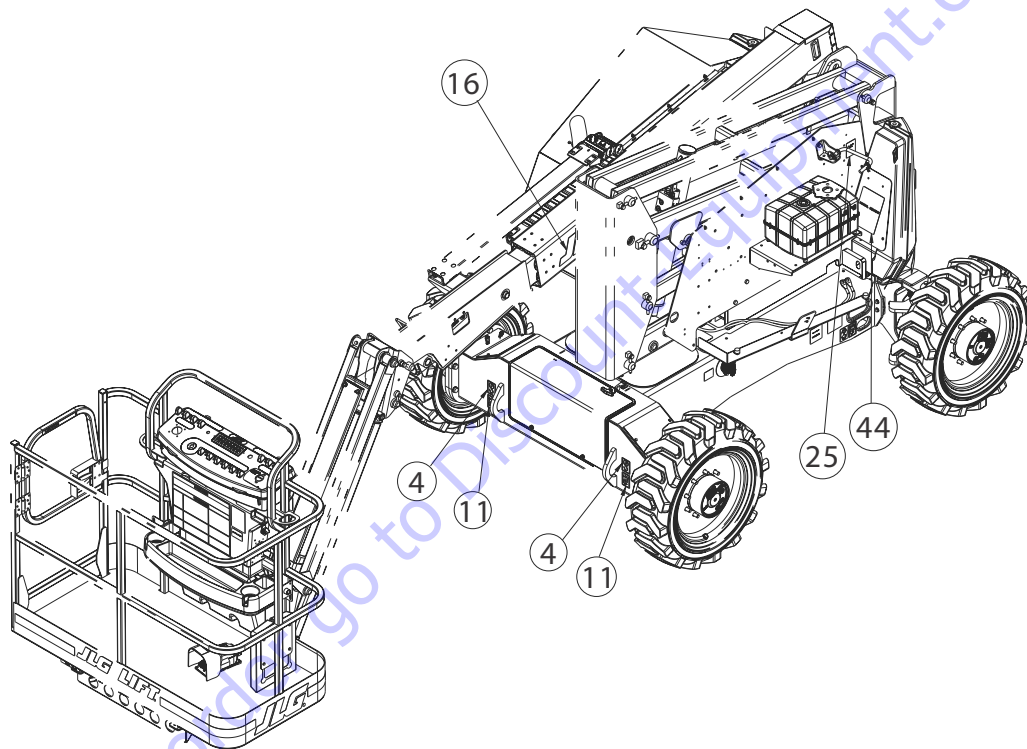


Figure 4-6. Decal Location - ANSI Markets - Sheet 1 of 6

OAC01620

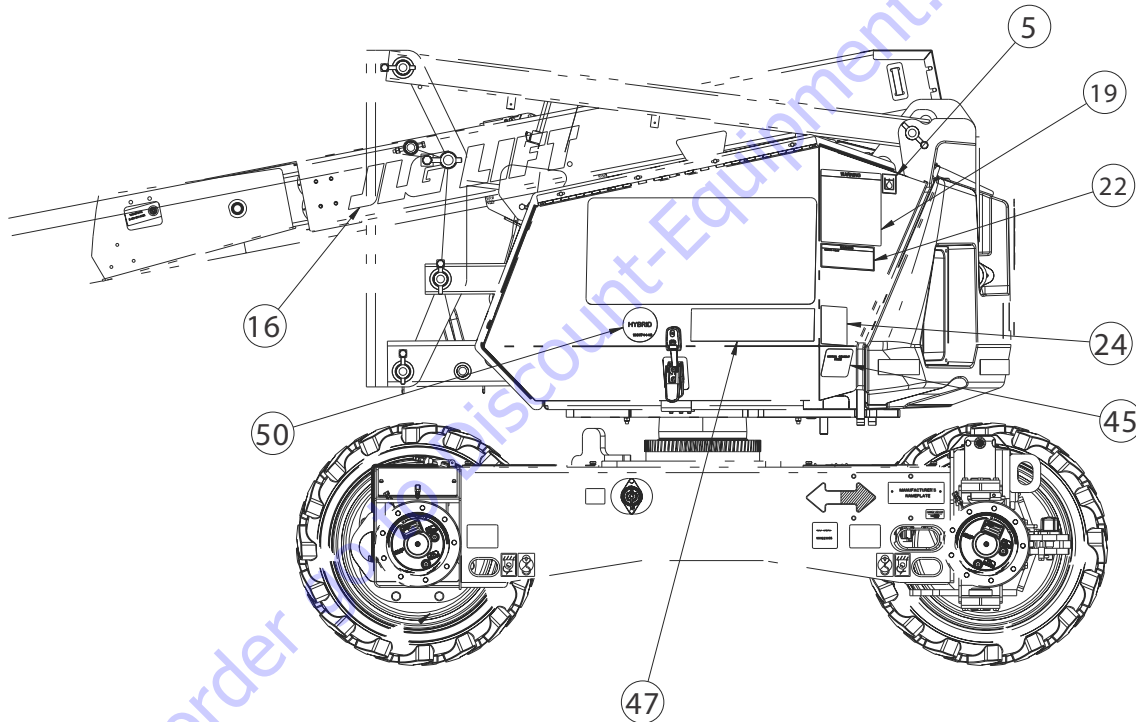
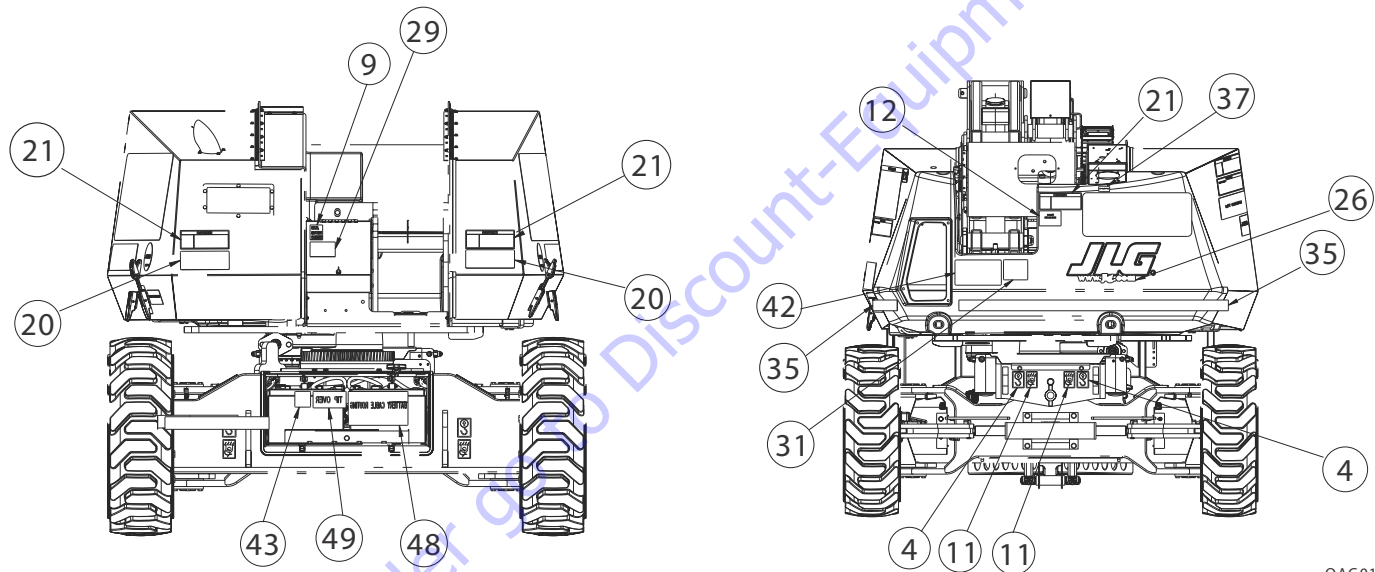
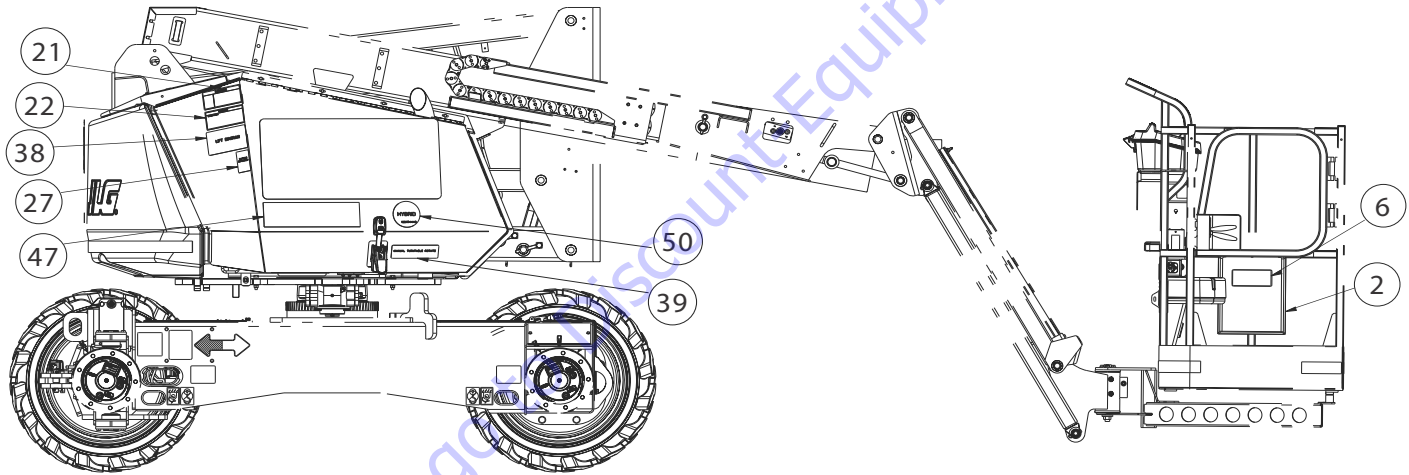


Figure 4-7. Decal Location - ANSI Markets - Sheet 2 of 6



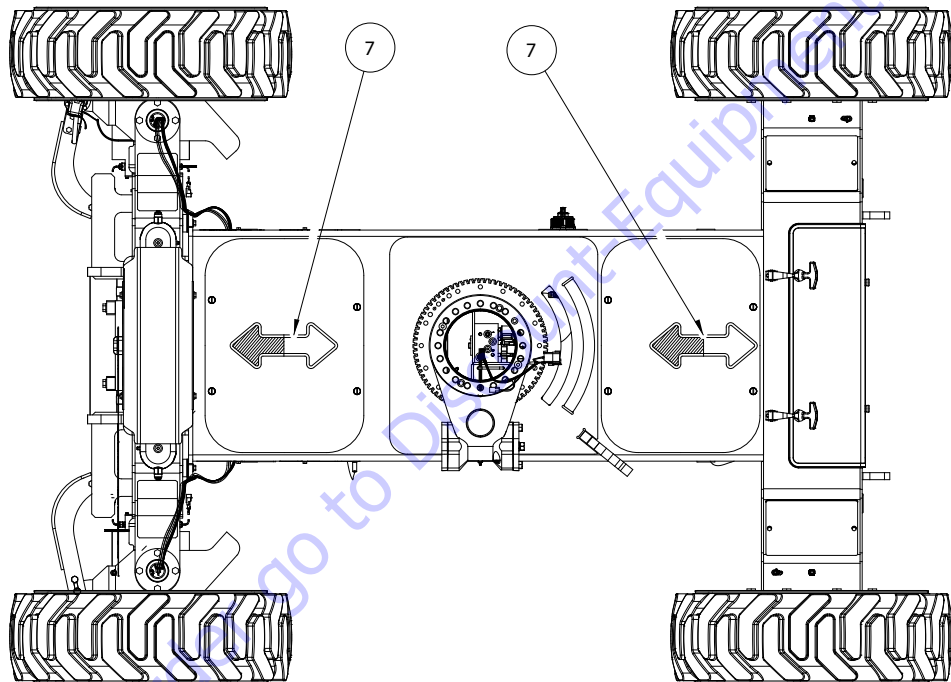
OAC01640

Figure 4-8. Decal Location - ANSI Markets - Sheet 3 of 6



OAC01650

Figure 4-9. Decal Location - ANSI Markets - Sheet 4 of 6



OAC01660

Figure 4-10. Decal Location - ANSI Markets - Sheet 5 of 6

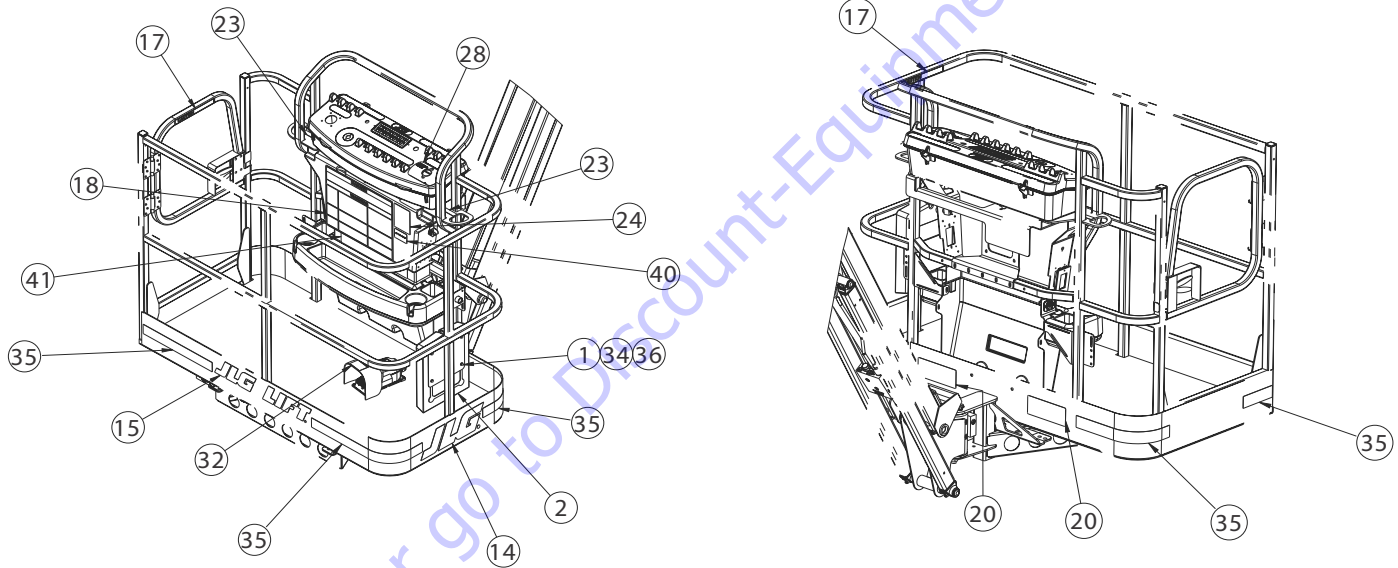


Figure 4-11. Decal Location - ANSI Markets - Sheet 6 of 6

OAC01670

SECTION 4 - MACHINE OPERATION

Item #	ANSI 1001169310-E
1	0760610
2	0860520
3	1701499
4	1701500
5	1701504
6	1701509
7	1701529
8	1701642
9	1701644
10	1702155
11	1702300
12	1702391
13	1702631
14	1001110613
15	1001110613
16	1001110613
17	1702868
18	1703797
19	1703798

Item #	ANSI 1001169310-E
20	1703804
21	1703805
22	1703953
23	1704277
24	1704286
25	1704412
26	1001110613
27	1704972
28	1705351
29	1705929
30	2080057
31	3251813
32	3252347
33	1706948
34	3290605
35	4420051
36	4811700
37	1001108923
38	1001119576
39	1001119981

Item #	ANSI 1001169310-E
40	1001120002
41	1001253920
42	1001253921
43	1001125483
44	1001127549
45	1001127588
46	1001131269
47	1001170058
48	1001170061
49	1001170676
50	1001174449
51	1001182809
52	1001223055
53	1001228370

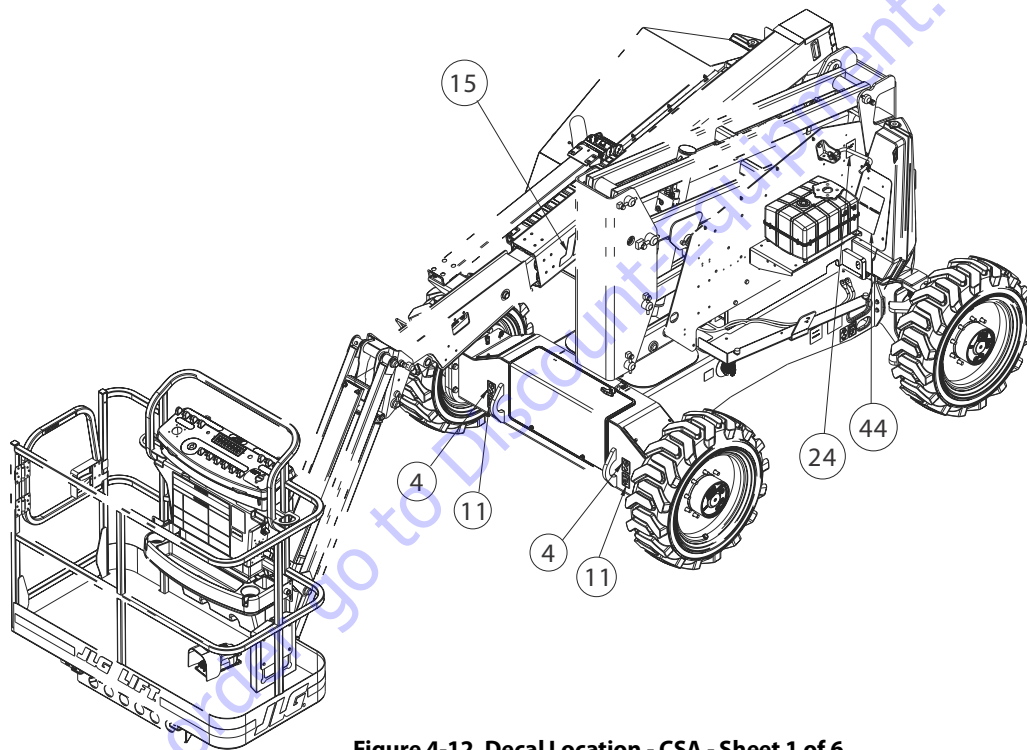
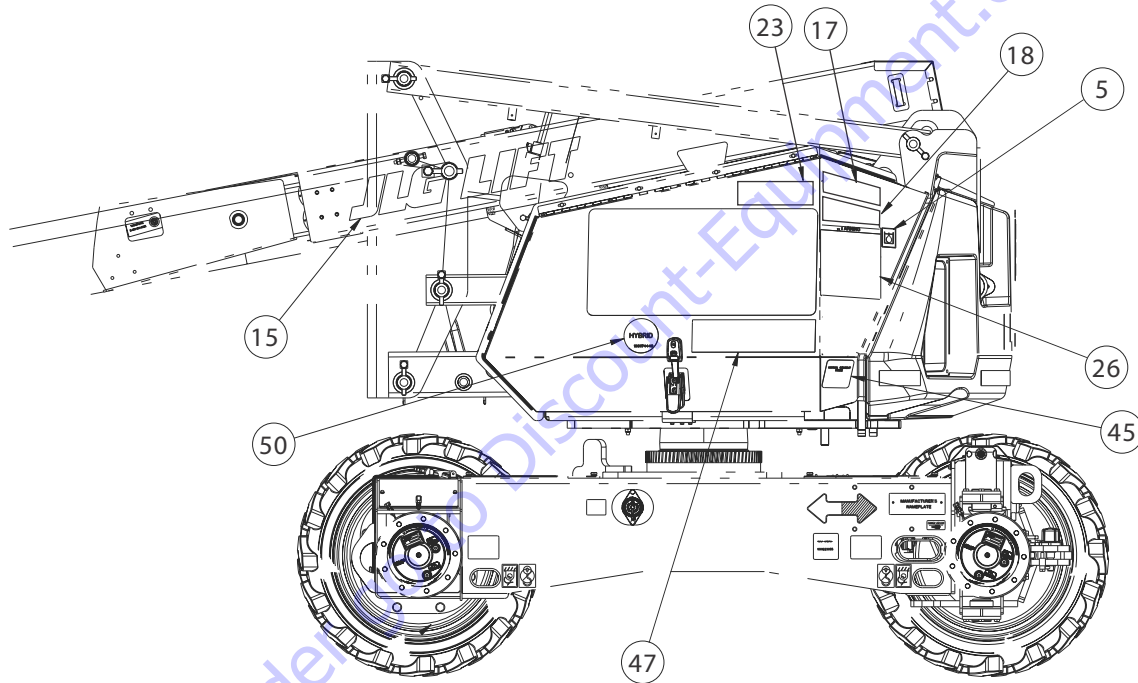


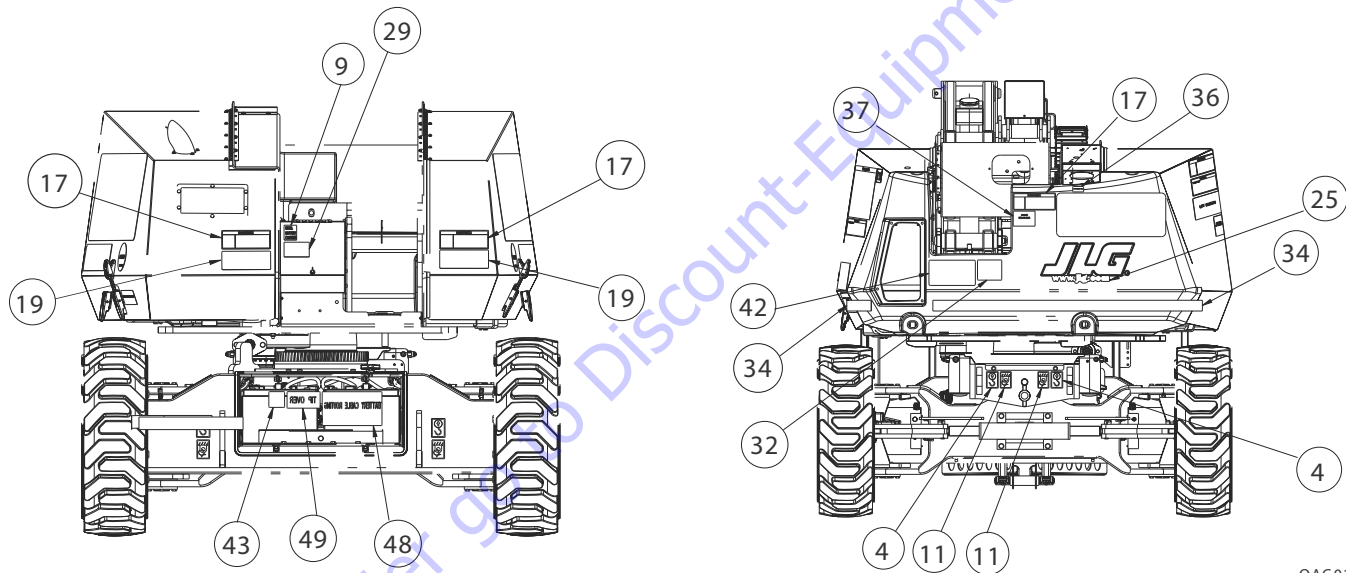
Figure 4-12. Decal Location - CSA - Sheet 1 of 6

OACD1620



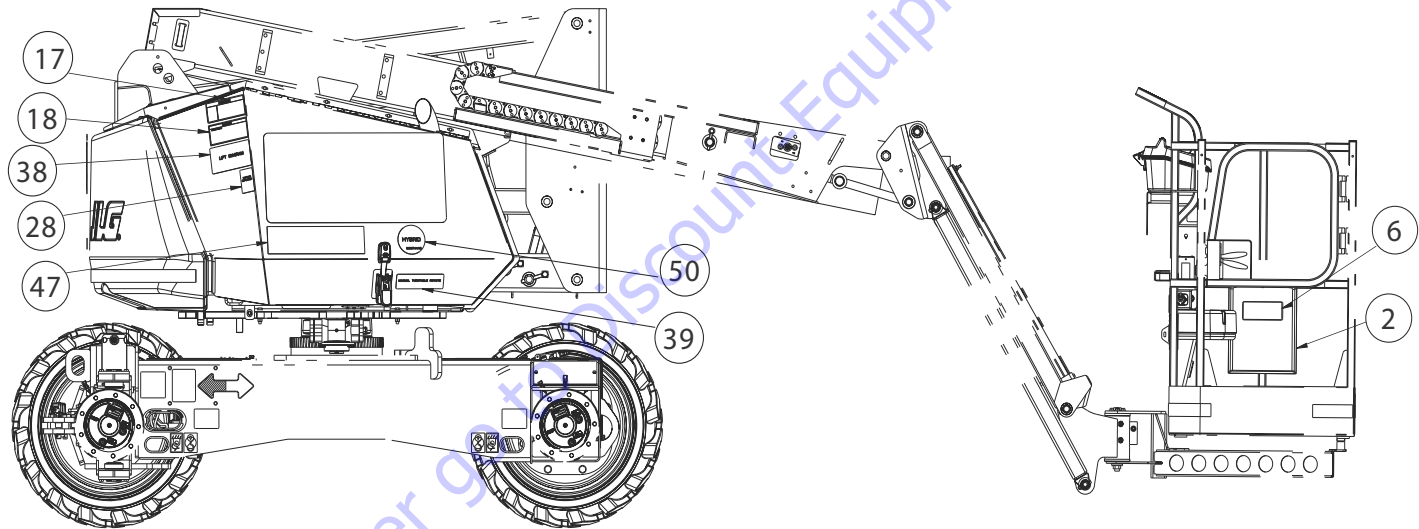
OAC01630

Figure 4-13. Decal Location - CSA - Sheet 2 of 6



OAC01640

Figure 4-14. Decal Location - CSA - Sheet 3 of 6



OAC01650

Figure 4-15. Decal Location - CSA - Sheet 4 of 6

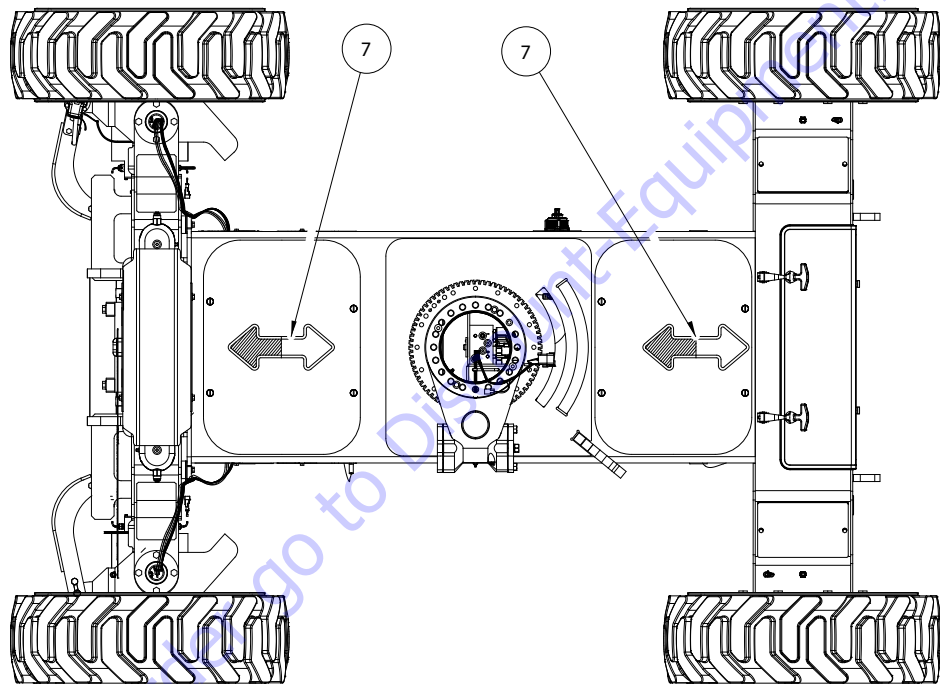


Figure 4-16. Decal Location - CSA - Sheet 5 of 6

OAC01660

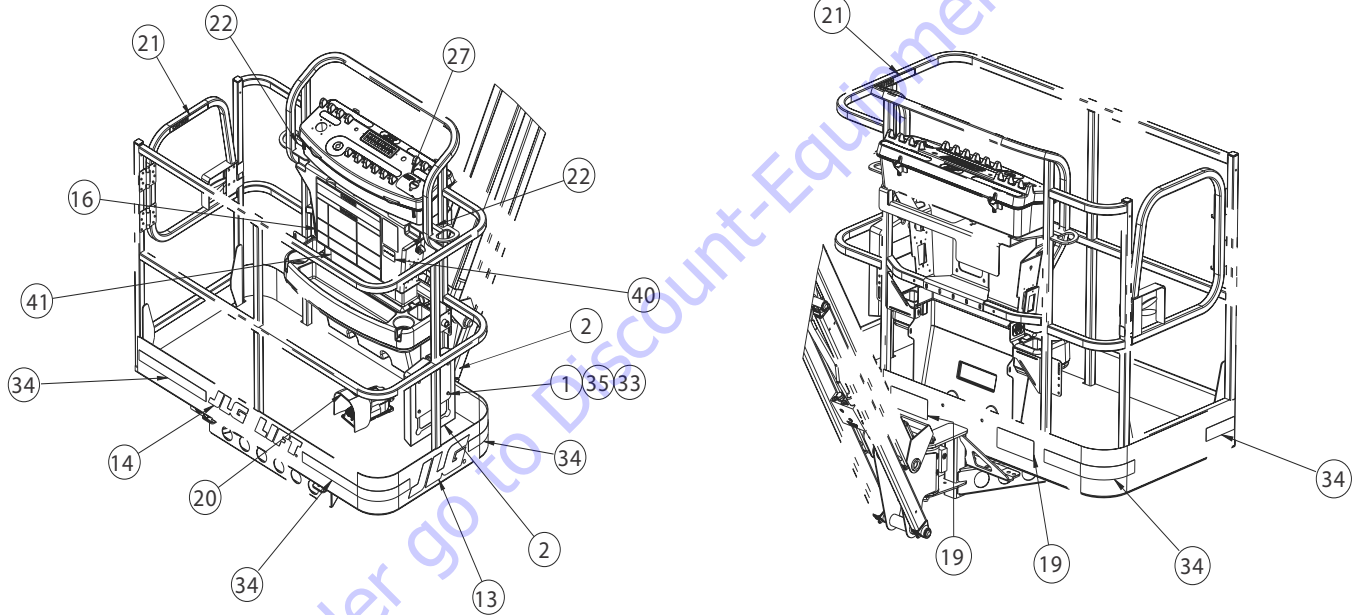


Figure 4-17. Decal Location - CSA - Sheet 6 of 6

OAC01670

SECTION 4 - MACHINE OPERATION

Item #	Eng/French 1001169314-E
1	0760610
2	0860520
3	1701499
4	1701500
5	1701504
6	1701509
7	1701529
8	1701642
9	1701644
10	1702155
11	1702300
12	1702631
13	1001110613
14	1001110613
15	1001110613
16	1703924
17	1703936
18	1703942
19	1703948

Item #	Eng/French 1001169314-E
20	1703984
21	1704000
22	1704277
23	1704368
24	1704277
25	1001110613
26	1705347
27	1705429
28	1706098
29	1706097
30	1001187083
31	2080057
32	3251813
33	3290605
34	4420051
35	4811700
36	1001108923
37	1001113169
38	1001119576
39	1001119981

Item #	Eng/French 1001169314-E
40	1001120004
41	1001253922
42	1001253923
43	1001125483
44	1001127549
45	1001127588
46	1001131269
47	1001170058
48	1001170061
49	1001170672
50	1001174449
51	1001182809
52	1001223971
53	1001228370

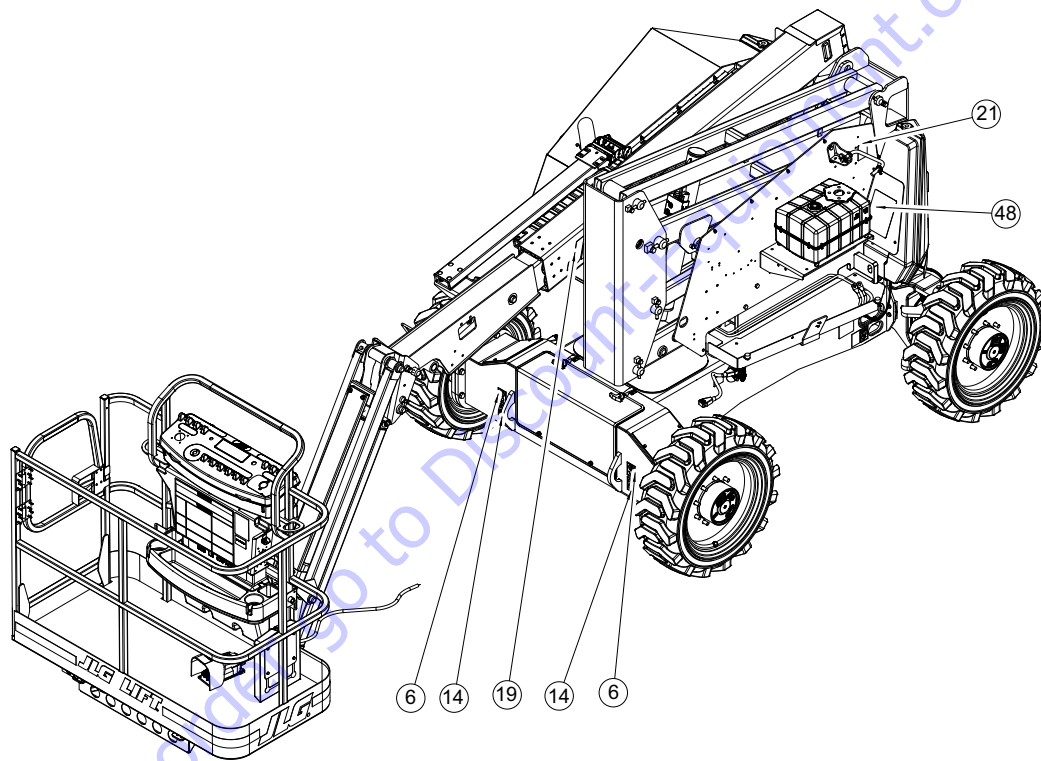


Figure 4-18. Decal Location - CE/AUS - Sheet 1 of 6

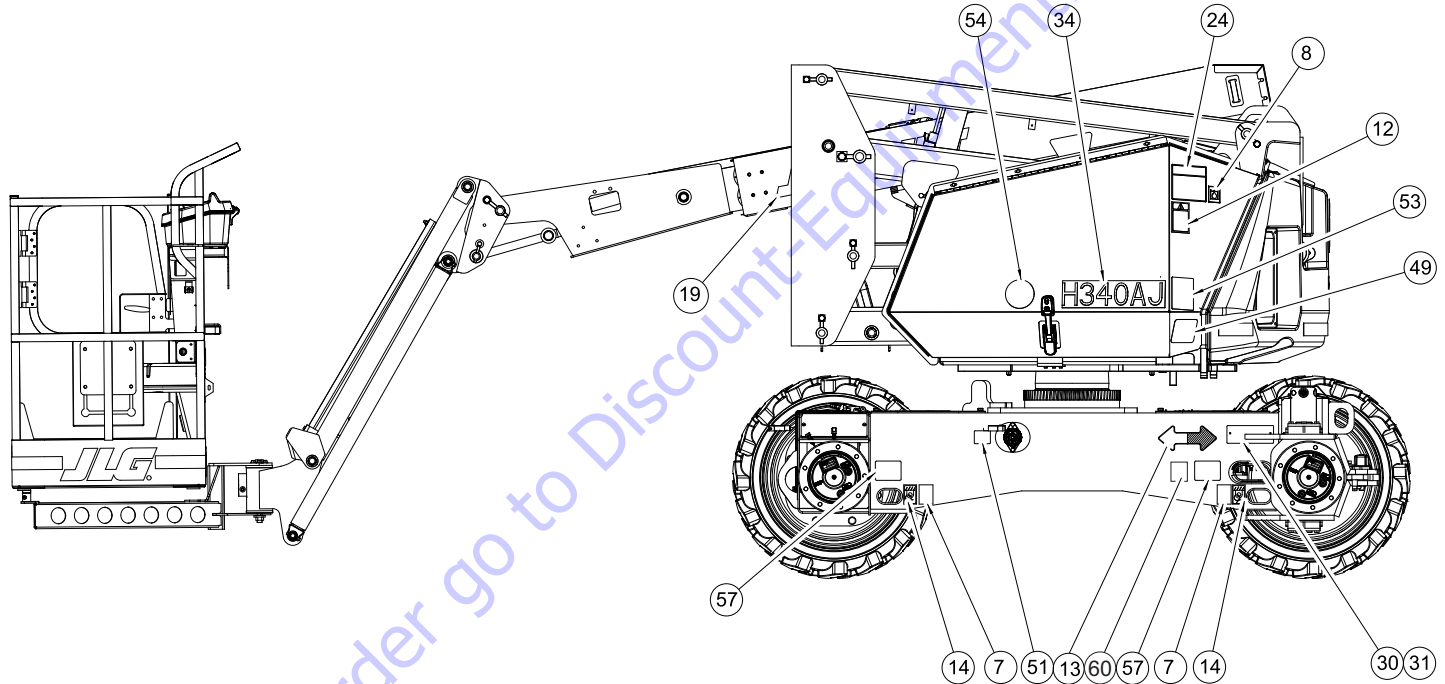


Figure 4-19. Decal Location - CE/AUS - Sheet 2 of 6

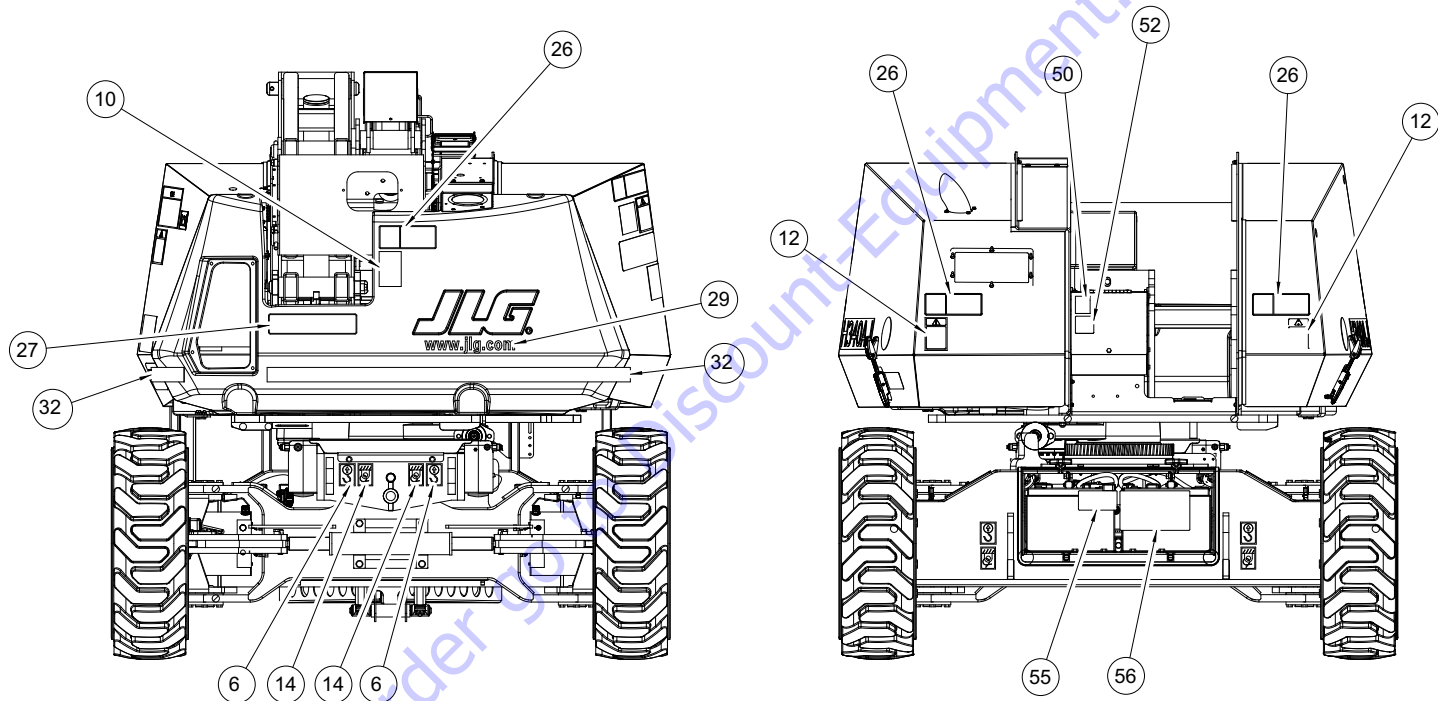


Figure 4-20. Decal Location - CE/AUS - Sheet 3 of 6

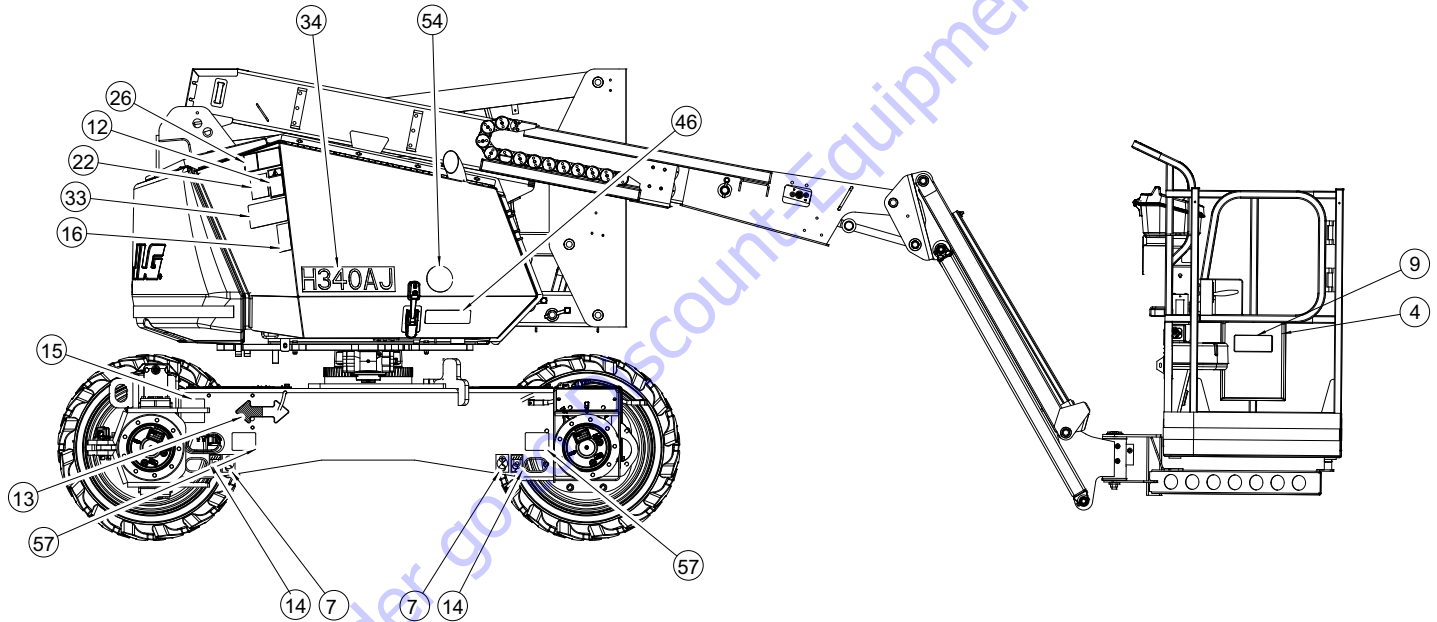


Figure 4-21. Decal Location - CE/AUS - Sheet 4 of 6

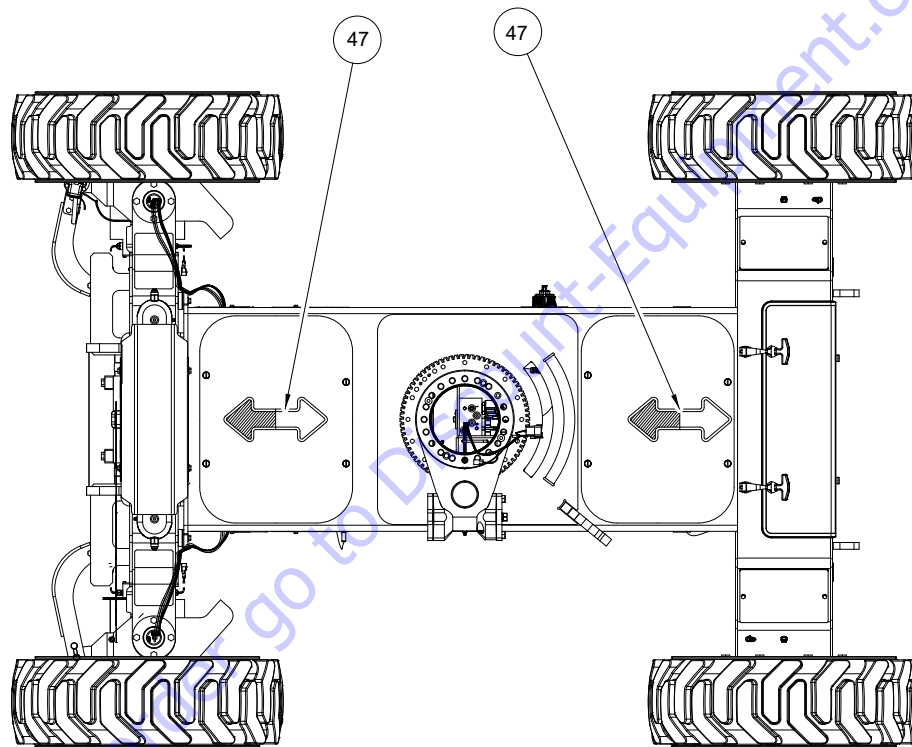


Figure 4-22. Decal Location - CE/AUS - Sheet 5 of 6

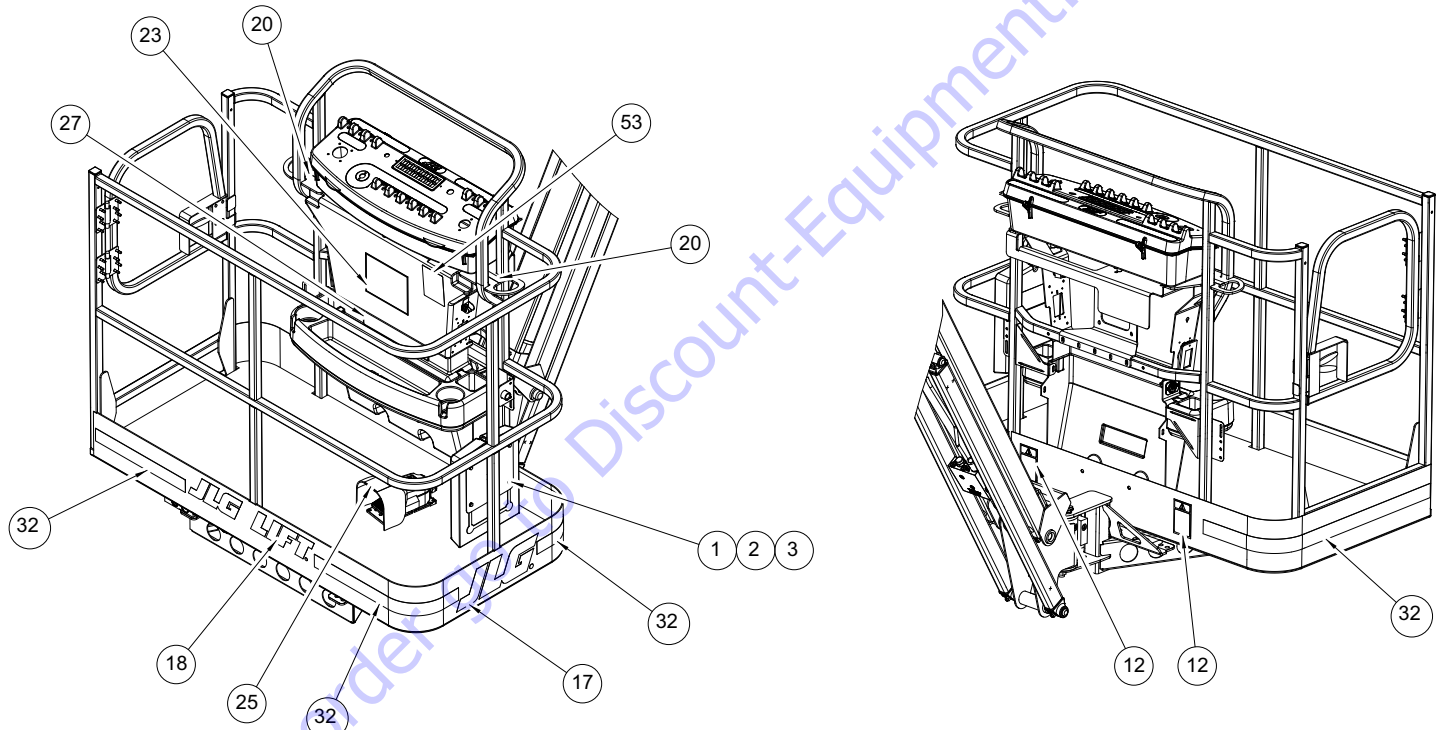


Figure 4-23. Decal Location - CE/AUS - Sheet 6 of 6

SECTION 4 - MACHINE OPERATION

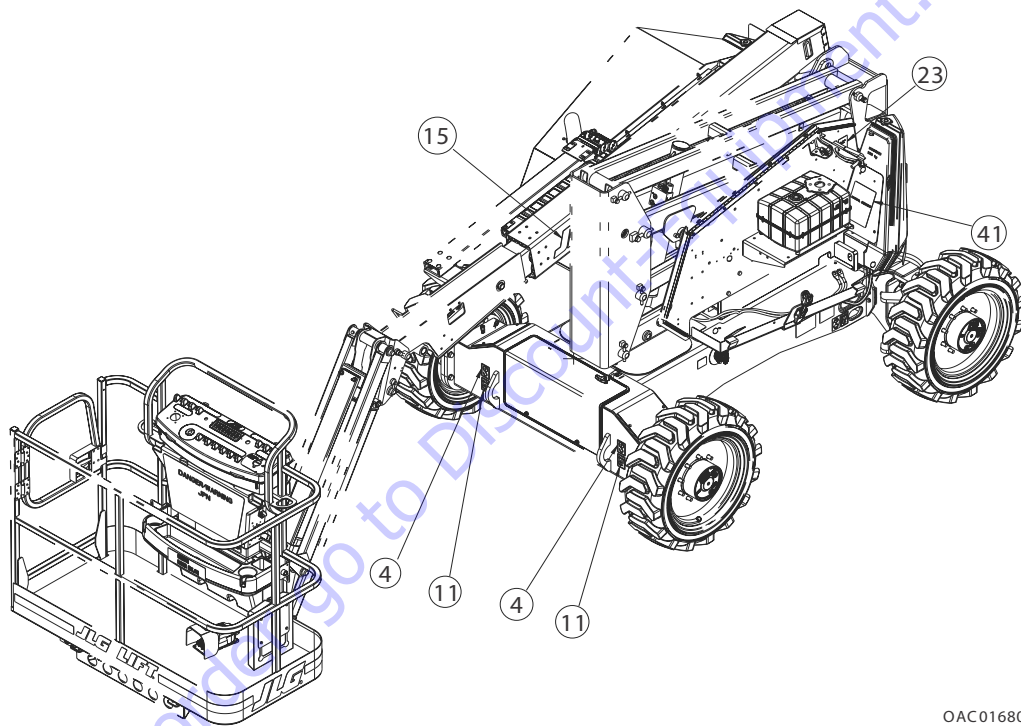
Item #	CE 1001169317-D	AUS 1001169311-E
1	--	--
2	--	--
3	--	--
4	--	--
5	--	--
6	1701500	1701500
7	1701499	1701499
8	1701504	1701504
9	1701509	1701509
10	1701517	1701517
11	--	--
12	1701518	1701518
13	1701642	1701642
14	1702300	1702300
15	1702631	1702631
16	--	--
17	--	--
18	--	--
19	--	--

Item #	CE 1001169317-D	AUS 1001169311-E
20	1704277	1704277
21	1704412	1704412
22	1001170059	--
23	1705921	1705921
24	1705822	1705822
25	1705828	1705828
26	1705961	1705961
27	1705978	1705978
28	--	--
29	--	--
30	--	--
31	--	--
32	--	--
33	1001119576	1001119576
34	1001170058	1001170058
35	--	--
36	--	--
37	--	--
38	--	--
39	--	--

SECTION 4 - MACHINE OPERATION

Item #	CE 1001169317-D	AUS 1001169311-E
40	--	--
41	--	--
42	--	--
43	--	--
44	--	--
45	--	--
46	1001119981	1001119981
47	1701529	1701529
48	1001127549	1001127549
49	1001127588	1001127588
50	1701644	1701644
51	1702155	1702155
52	1706097	1706097
53	1001228370	--
54	1001174449	1001174449
55	1001170060	1001170060
56	1001170061	1001170061
57	1001182809	1001182809
58	--	--

Item #	CE 1001169317-D	AUS 1001169311-E
59	--	--
60	1001223055	1001223055



OAC01680

Figure 4-24. Decal Location - ANSI Export - Sheet 1 of 6

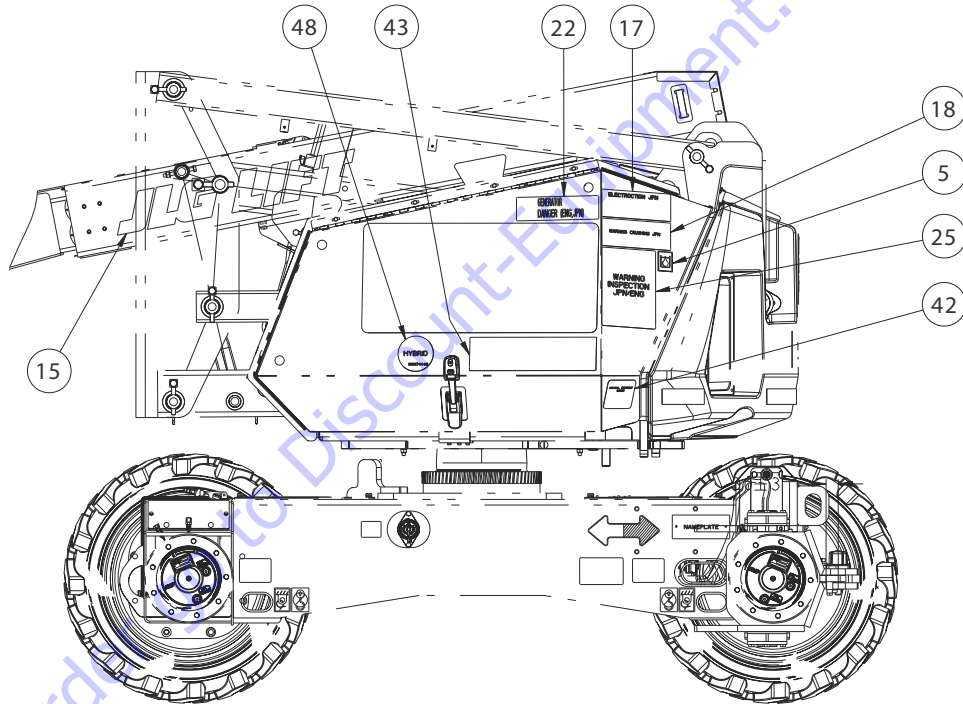


Figure 4-25. Decal Location - ANSI Export - Sheet 2 of 6

OAC01690

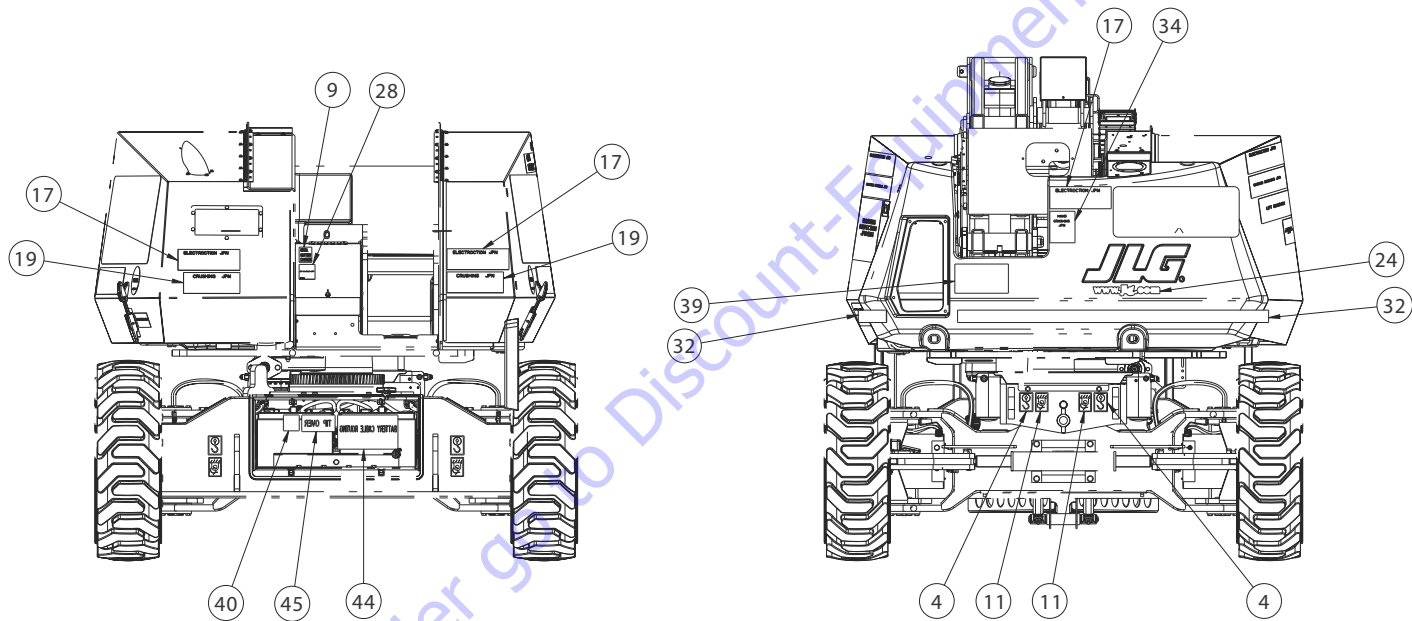


Figure 4-26. Decal Location - ANSI Export - Sheet 3 of 6

OAC01700

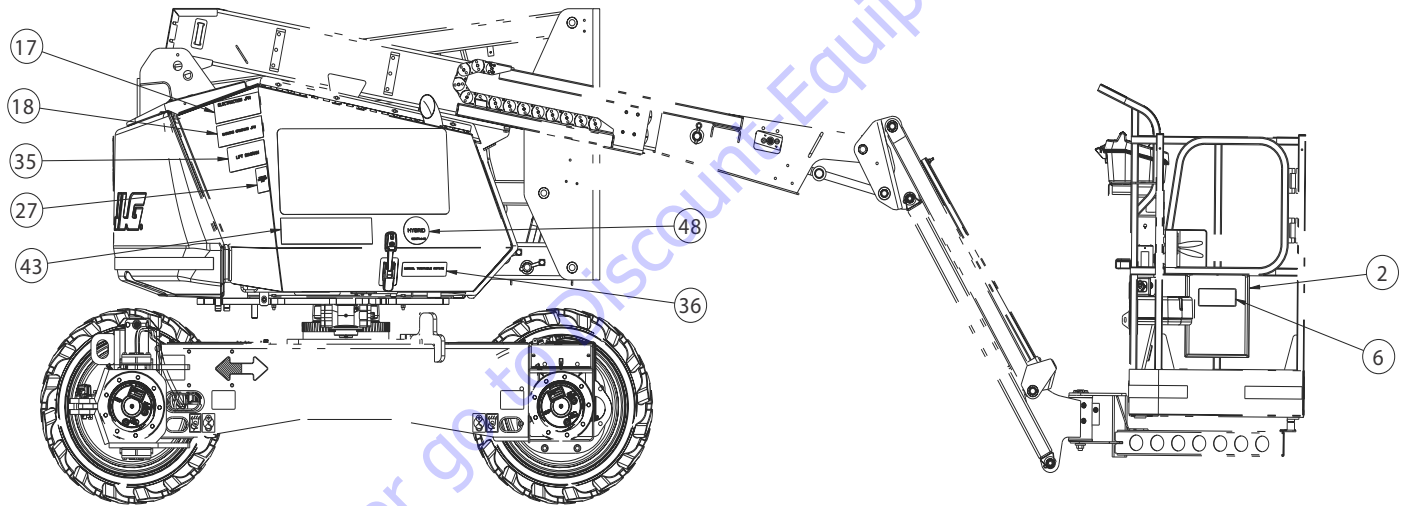
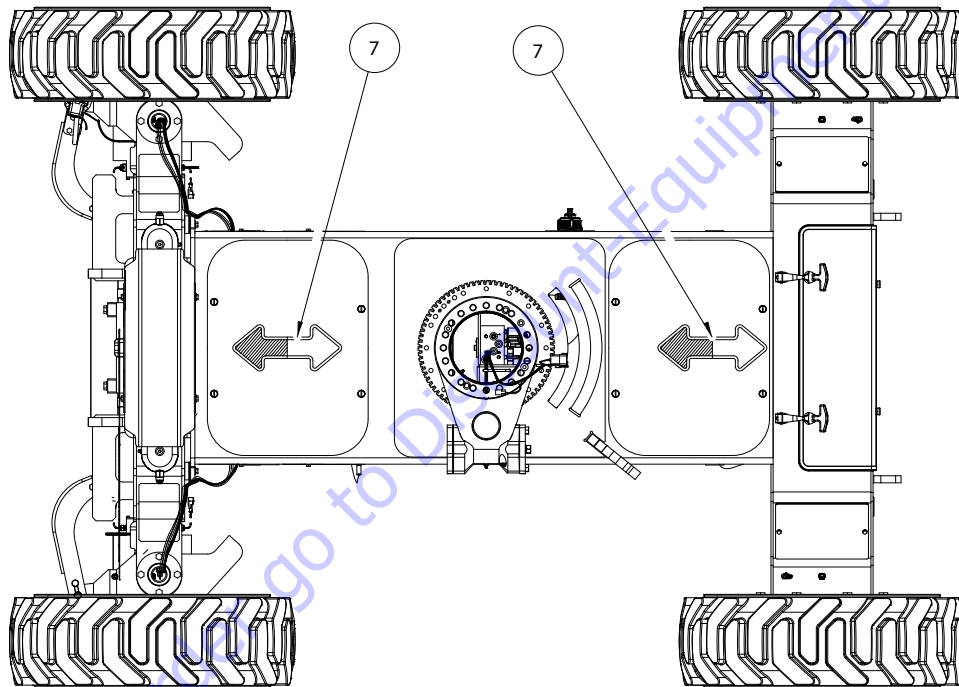


Figure 4-27. Decal Location - ANSI Export - Sheet 4 of 6

OAC01710



OAC01660

Figure 4-28. Decal Location - ANSI Export - Sheet 5 of 6

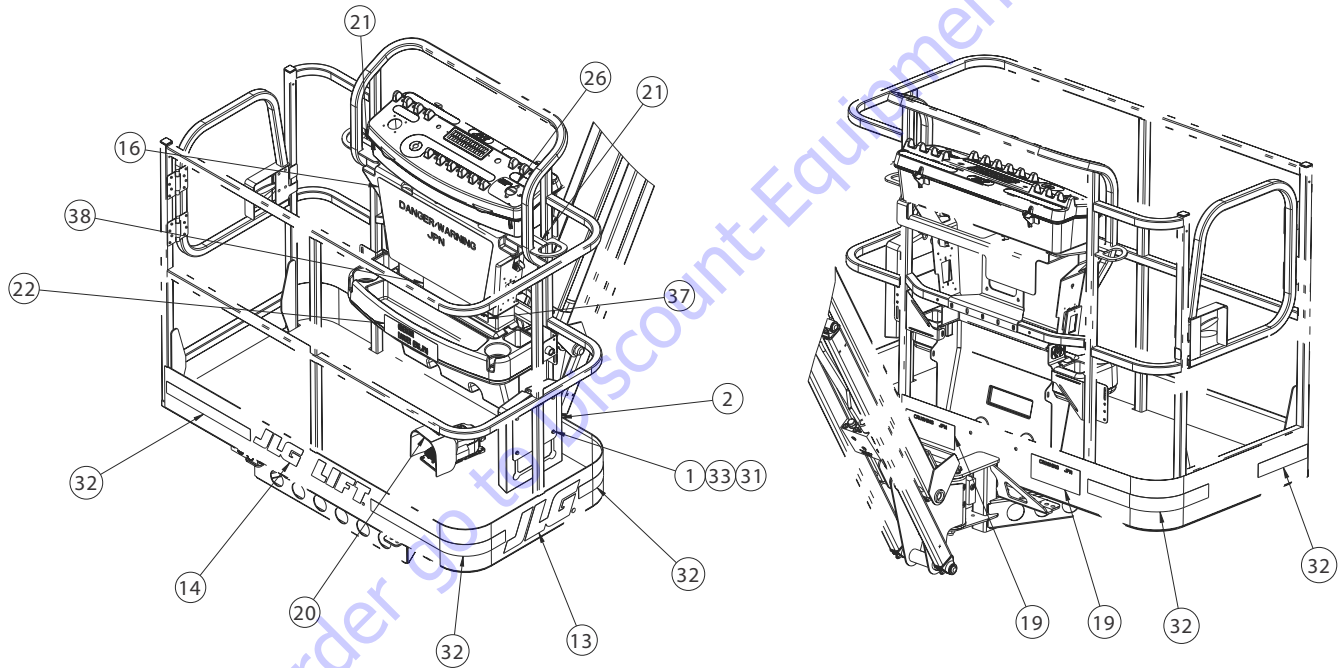


Figure 4-29. Decal Location - ANSI Export - Sheet 6 of 6

OAC01720

SECTION 4 - MACHINE OPERATION

Item #	Japan 1001169312-D	Korea 1001169313-D	China 1001169315-D
1	0760610	0760610	0760610
2	0860520	0860520	0860520
3	1701499	1701499	1701499
4	170500	170500	170500
5	1701504	1701504	1701504
6	1701509	1701509	1701509
7	1701529	1701529	1701529
8	1701642	1701642	1701642
9	1701644	1701644	1701644
10	1702155	1702155	1702155
11	1702300	1702300	1702300
12	1702631	1702631	1702631
13	1001110613	1001110613	1001110613
14	1001110613	1001110613	1001110613
15	1001110613	1001110613	1001110613
16	1703926	1703927	1703925
17	1703938	1703939	1703937
18	1703944	1703945	1703943
19	1703950	1703951	1703949

Item #	Japan 1001169312-D	Korea 1001169313-D	China 1001169315-D
20	1703980	1703981	1703982
21	1704277	1704277	1704277
22	1704369	1704370	1704372
23	1704412	1704412	1704412
24	1001110613	1001110613	1001110613
25	1705344	1705345	1705348
26	1705426	1705427	1705430
27	--	1705969	1705968
28	1706077	--	1706093
29	1706062	1706061	1706060
30	2080057	2080057	2080057
31	3290605	3290605	3290605
32	1706948	1706948	1706948
33	4811700	4811700	4811700
34	1001113166	1001113509	1001113168
35	1001119576	1001119576	1001119576
36	1001119981	1001119981	1001119981
37	1001120279	1001120280	1001120281
38	1001253932	1001253924	1001253926
39	1001253933	1001253925	1001253927

Item #	Japan 1001169312-D	Korea 1001169313-D	China 1001169315-D
40	1001125483	1001125483	1001125483
41	1001127549	1001127549	1001127549
42	1001127588	1001127588	1001127588
43	1001170056	1001170058	1001170058
44	1001170061	1001170061	1001170061
45	1001170674	1001170673	1001170671
46	--	1001171296	--
47	--	3251813	3251813
48	1001174449	1001174449	1001174449
49	1001182809	1001182809	1001182809
50	1001224053	1001224048	1001224050
51	4420051	4420051	4420051

TO PURCHASE THIS PRODUCT PLEASE CONTACT US



**Equipment Financing and
Extended Warranties Available**



**Discount-Equipment.com is your online resource for
commercial and industrial quality parts and equipment sales.**

561-964-4949

visit us on line @ www.discount-equipment.com

Select an option below to find your Equipment

Search by Manufacturer

Search by Product Type

Request a Quote

We sell worldwide for the brands: Genie, Terex, JLG, MultiQuip, Mikasa, Essick, Whiteman, Mayco, Toro Stone, Diamond Products, Generac Magnum, Airman, Haulotte, Barreto, Power Blanket, Nifty Lift, Atlas Copco, Chicago Pneumatic, Allmand, Miller Curber, Skyjack, Lull, Skytrak, Tsurumi, Husquvarna Target, Stow, Wacker, Sakai, Mi-T-M, Sullair, Basic, Dynapac, MBW, Weber, Bartell, Bennar Newman, Haulotte, Ditch Runner, Menegotti, Morrison, Contec, Buddy, Crown, Edco, Wyco, Bomag, Laymor, EZ Trench, Bil-Jax, F.S. Curtis, Gehl Pavers, Heli, Honda, ICS/PowerGrit, IHI, Partner, Imer, Clipper, MMD, Koshin, Rice, CH&E, General Equipment, Amida, Coleman, NAC, Gradall, Square Shooter, Kent, Stanley, Tamco, Toku, Hatz, Kohler, Robin, Wisconsin, Northrock, Oztec, Toker TK, Rol-Air, APT, Wylie, Ingersoll Rand / Doosan, Innovatech, Con X, Ammann, Mecalac, Makinex, Smith Surface Prep, Small Line, Wanco, Yanmar

SECTION 5. EMERGENCY PROCEDURES

5.1 GENERAL

This section explains the steps to be taken in case of an emergency situation while operating.

5.2 INCIDENT NOTIFICATION

JLG Industries, Inc. must be notified immediately of any incident involving a JLG product. Even if no injury or property damage is evident, the factory should be contacted by telephone and provided with all necessary details.

- USA: 877-JLG-SAFE (554-7233)
- EUROPE: (32) 0 89 84 82 20
- AUSTRALIA: (61) 2 65 811111
- E-mail: ProductSafety@JLG.com

Failure to notify the manufacturer of an incident involving a JLG Industries product within 48 hours of such an occurrence may void any warranty consideration on that particular machine.

NOTICE

FOLLOWING ANY INCIDENT, THOROUGHLY INSPECT THE MACHINE AND TEST ALL FUNCTIONS FIRST FROM THE GROUND CONTROLS, THEN FROM THE PLATFORM CONTROLS. DO NOT LIFT ABOVE 3 M (10 FT.) UNTIL YOU ARE SURE THAT ALL DAMAGE HAS BEEN REPAIRED, IF REQUIRED, AND THAT ALL CONTROLS ARE OPERATING CORRECTLY.

5.3 EMERGENCY OPERATION

Operator Unable to Control Machine

IF THE PLATFORM OPERATOR IS PINNED, TRAPPED OR UNABLE TO OPERATE OR CONTROL MACHINE:

1. Other personnel should operate the machine from ground controls only as required.
2. Other qualified personnel on the platform may use the platform controls. DO NOT CONTINUE OPERATION IF CONTROLS DO NOT FUNCTION PROPERLY.
3. Cranes, forklift trucks or other equipment can be used to stabilize motion of the machine.

Platform or Boom Caught Overhead

If the platform or boom becomes jammed or snagged in overhead structures or equipment, do the following:

1. Shut off the machine.
2. Rescue all people in the platform before freeing the machine. Personnel must be out of the platform before operating any controls on the machine.
3. Use cranes, forklifts, or other equipment to stabilize motion of the machine to prevent a tip over as required.
4. From the ground controls, use the Auxiliary Power System (if equipped) to carefully free the platform or boom from the object.
5. Once clear, restart the machine and return the platform to a safe position.
6. Inspect the machine for damage. If the machine is damaged or does not operate properly, turn off the machine immediately. Report the problem to the proper maintenance personnel. Do not operate the machine until it is declared safe for operation.

5.4 AUXILIARY DESCENT SYSTEM

Refer to Figure 5-1., Auxiliary Descent Decal and Hand Pump.

The auxiliary descent system allows the boom and jib to be lowered in the event of primary power (engine power) loss. This system uses electrically powered solenoid valves and the force of gravity to lower the booms and jib. The following functions are included in this system and will operate normally if the engine is not running and the auxiliary power switch has been activated.

- Main Lift Down
 - Tower Lift Down
 - Jib Lift Down
1. From the ground control console, place the Platform/Ground Select switch in the Ground position.
 2. Pull out the Power/Emergency Stop control.
 3. Hold down the Auxiliary Descent Enable Switch and the control switch for the desired function.

If it is necessary to raise the jib in order to properly perform the auxiliary descent procedure, use the following procedure.

1. From the ground control console, place the Platform/ Ground Select switch in the Ground position.
2. Pull out the Power/Emergency Stop control.
3. Hold down the Auxiliary Descent Enable Switch, hold up the jib lift control switch and operate the hand pump located next to the hydraulic tank to raise the jib.

NOTE: *The manual pump for jib lift is only operable if a malfunction of the primary hydraulic pump has occurred.*

5.5 MANUAL SWING OVERRIDE

The manual swing override is used to manually swing the boom and turntable assembly in the event of a total power failure when the platform is positioned over a structure or obstacle. To operate the manual swing override, proceed as follows:

1. Using a 7/8 inch socket and ratchet wrench, locate nut on swing worm gear on left side of machine.
2. Install wrench on nut and ratchet in the direction desired.

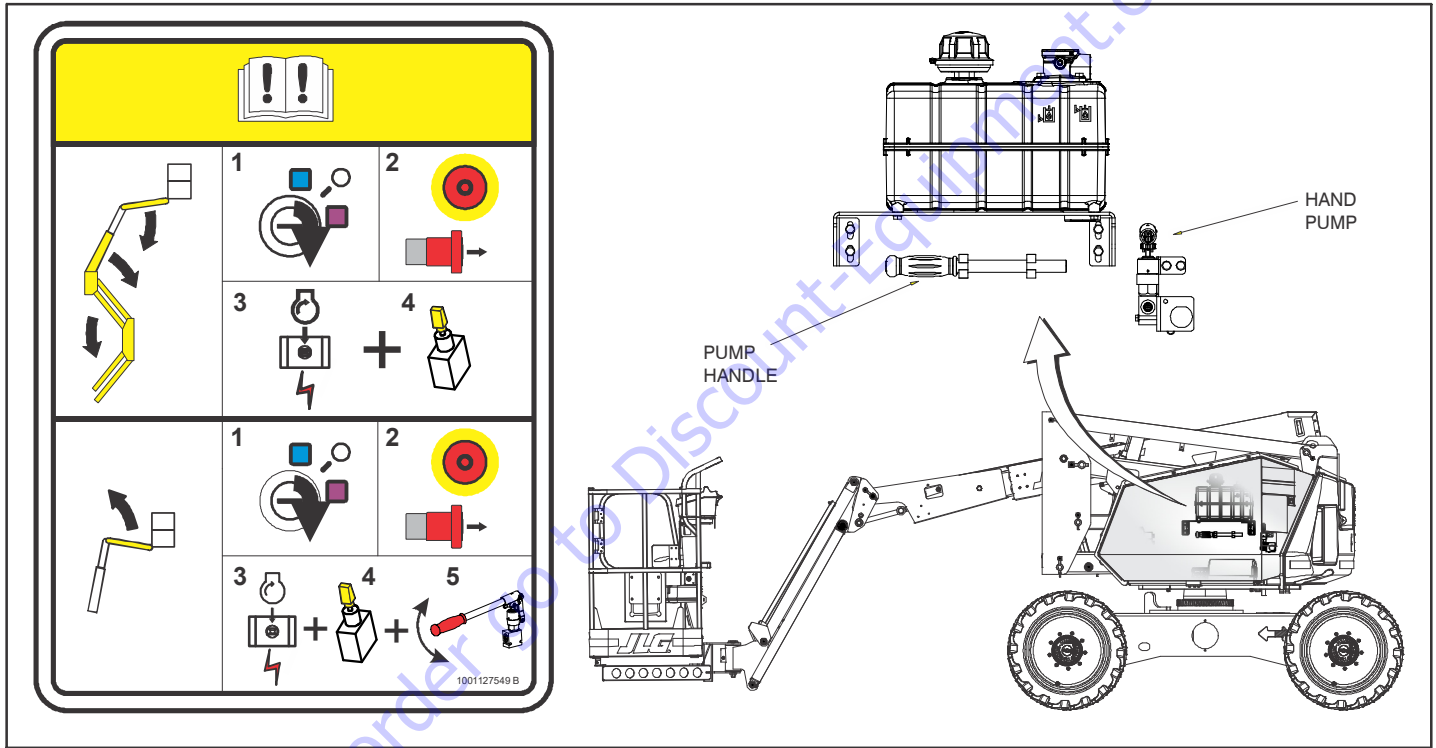


Figure 5-1. Auxiliary Descent Decal and Hand Pump

5.6 EMERGENCY TOWING PROCEDURES

Towing this machine is prohibited. However, provisions for moving the machine have been incorporated. The following procedures are to be used **ONLY** for emergency movement to a suitable maintenance area.

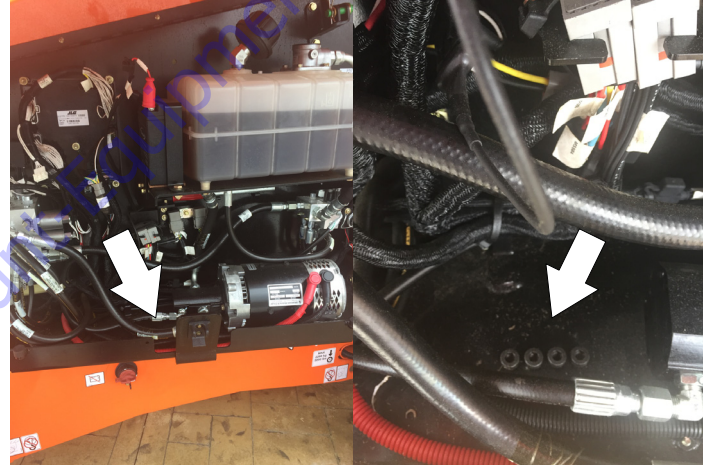
NOTICE

THE ALLOWABLE TOWING SPEED IS 1.9 MPH (3 KM/H). THE MAXIMUM ALLOWABLE TOWING DISTANCE IS 0.6 MILES (1 KM).

1. Chock wheels securely.
2. Using a 3/16" allen wrench, remove the cap retaining screw from the hub.



3. Locate the brake release bolts on the turntable and remove them. Install the cap retaining screws in the turntable in place of the brake release screws so they are not lost.



SECTION 5 - EMERGENCY PROCEDURES

4. Using a 5/16" allen wrench, install the brake release screw into the hub.



5. Repeat steps 2 thru 4 for the remaining drive hubs.
6. Connect suitable equipment, remove chocks, and move machine.

After moving machine, complete the following procedure:

1. Position machine on a firm level surface.
2. Chock wheels securely.
3. Using a 5/16" allen wrench, remove the brake release screw from each hub.
4. Replace each brake release screw with the corresponding cap retaining screw and return the brake release screws to the turntable.
5. Remove chocks from wheels as desired.

5.7 MACHINE SAFETY SYSTEM OVERRIDE (MSSO) (CE ONLY)

The Machine Safety System Override (MSSO) is only to be used to retrieve an operator that is pinned, trapped, or unable to operate the machine and function controls are locked out from the platform due to a platform overload situation.



NOTE: *If the MSSO functionality is used, the fault indicator is set with a fault code in the JLG Control System which must be reset by a qualified JLG Service Technician.*

NOTE: *No functional checks of the MSSO system are necessary. The JLG Control system will set a Diagnostic Trouble Code if the control switch is faulty.*

To operate the MSSO:

1. From the ground control console, place the Platform/ Ground Select switch in the Ground position.
2. Pull out the Power/Emergency Stop control.
3. Start the engine.
4. Press and hold the MSSO switch and the control switch for the desired function.

TO PURCHASE THIS PRODUCT PLEASE CONTACT US



**Equipment Financing and
Extended Warranties Available**



**Discount-Equipment.com is your online resource for
commercial and industrial quality parts and equipment sales.**

561-964-4949

visit us on line @ www.discount-equipment.com

Select an option below to find your Equipment

Search by Manufacturer

Search by Product Type

Request a Quote

We sell worldwide for the brands: Genie, Terex, JLG, MultiQuip, Mikasa, Essick, Whiteman, Mayco, Toro Stone, Diamond Products, Generac Magnum, Airman, Haulotte, Barreto, Power Blanket, Nifty Lift, Atlas Copco, Chicago Pneumatic, Allmand, Miller Curber, Skyjack, Lull, Skytrak, Tsurumi, Husquvarna Target, Stow, Wacker, Sakai, Mi-T-M, Sullair, Basic, Dynapac, MBW, Weber, Bartell, Bennar Newman, Haulotte, Ditch Runner, Menegotti, Morrison, Contec, Buddy, Crown, Edco, Wyco, Bomag, Laymor, EZ Trench, Bil-Jax, F.S. Curtis, Gehl Pavers, Heli, Honda, ICS/PowerGrit, IHI, Partner, Imer, Clipper, MMD, Koshin, Rice, CH&E, General Equipment, Amida, Coleman, NAC, Gradall, Square Shooter, Kent, Stanley, Tamco, Toku, Hatz, Kohler, Robin, Wisconsin, Northrock, Oztec, Toker TK, Rol-Air, APT, Wylie, Ingersoll Rand / Doosan, Innovatech, Con X, Ammann, Mecalac, Makinex, Smith Surface Prep, Small Line, Wanco, Yanmar

SECTION 6. GENERAL SPECIFICATIONS & OPERATOR MAINTENANCE

6.1 INTRODUCTION

This section of the manual provides additional necessary information to the operator for proper operation and maintenance of this machine.

The maintenance portion of this section is intended as information to assist the machine operator to perform daily maintenance tasks only, and does not replace the more thorough Preventive Maintenance and Inspection Schedule included in the Service and Maintenance Manual.

Other Publications Available:

Service and Maintenance Manual 3121007
 Illustrated Parts Manual 3121008

6.2 OPERATING SPECIFICATIONS AND PERFORMANCE DATA

Operating Specifications

Table 6-1. Operating Specifications

Capacity: Unrestricted: ANSI CE & Australia	500lb (227 kg) 500lb (230 kg)
Maximum Travel Grade, stowed Position (Gradeability) see Figure 4-1.	45%
Maximum Travel Grade, stowed Position (Side Slope) see Figure 4-1.	4°
Drive Speed - Stowed	3.7 mph (6.0 km/h)
Elevated Drive Speed	0.6 mph (0.97 km/h)
Gross Machine Weight - Approximate	9860lb (4472 kg)

SECTION 6 - GENERAL SPECIFICATIONS & OPERATOR MAINTENANCE

Table 6-1. Operating Specifications

Ground Bearing Pressure	
Foam Filled	64 psi (4.5 kg/cm ²)
Solid	75 psi (5.3 kg/cm ²)
Non-Marking Solid	81 psi (5.7 kg/cm ²)
System Voltage	48V DC
Maximum Main Relief Hyd. Pressure	4060 psi (280 Bar)

Dimensional Data

Table 6-2. Dimensional Data

Turning Radius (Inside)	5'(1.52 m)
Turning Radius (Outside)	13'(3.96 m)
Machine Height (stowed)	6'7" (2 m)
Machine Height (storage)	7'1" (2.17 m)
Machine Length (stowed)	18'2" (5.52 m)
Machine Length (storage) w/LSS	13'1" (3.98 m) 13'2" (4.02 m)

Table 6-2. Dimensional Data

Up and Over Platform Height	17'0" (5.17 m)
Horizontal Reach	19'11" (6.06 m)
Machine Width	6'4" (1.93 m)
Wheel Base	6'2" (1.87 m)
Platform Height ANSI	33'9" (10.29 m)
CE & Australia	33'10.5" (10.33 m)
Ground Clearance	10.1" (23.7 cm)

Capacities

Table 6-3. Capacities

Hydraulic Oil Tank (to Full Level)	5 Gal. (18.9 L)
Hydraulic System	6 Gal. (22.7 L)
Drive Hub*	30.4 oz. (0.9 L)
Engine Coolant	1.6 gal. (6.0 L)
*Drive hubs should be one half full of lubricant.	

Tires

Table 6-4. Tires

Size	265/50D20 (20" x 9")
Maximum Tire Load	5000 lb (2268 kg)
Type	Foam-Filled
Size	18" x 7"
Maximum Tire Load	5000 lb (2268 kg)
Type	Solid

Engine Data

Table 6-5. Kubota Z482

Type	Liquid Cooled
Number of Cylinders	2
Bore	2.64 in. (67 mm)
Stroke	2.68 in. (68 mm)
Total Displacement	29.2 cu. in. (0.479 L)
Output	11.1 hp (8.3 kW)
Low Idle RPM	1300 ± 50
High Idle RPM	3000 ± 50

SECTION 6 - GENERAL SPECIFICATIONS & OPERATOR MAINTENANCE

Hydraulic Oil

Table 6-6. Hydraulic Oil

Hydraulic System Operating Temperature Range	S.A.E. Viscosity Grade
+0° to +180°F (-18° to +83°C)	10W
+0° to +210°F (-18° to +99°C)	10W-20, 10W30
+50° to +210°F (+10° to +99°C)	20W-20

NOTE: Hydraulic oils require anti-wear qualities at least API Service Classification GL-3, and sufficient chemical stability for mobile hydraulic system service.

NOTE: Machines may be equipped with Mobil EAL biodegradable and non-toxic hydraulic oil. This is a fully synthetic hydraulic oil that possesses the same anti-wear and rust protection characteristics as mineral oils, but will not adversely affect the ground water or the environment when spilled or leaked in small amounts.

NOTE: Aside from JLG recommendations, it is not advisable to mix oils of different brands or types, as they may not contain the same required additives or be of comparable viscosities. If use of hydraulic oil other than standard UTTO is desired, contact JLG Industries for proper recommendations.

OIL SAMPLING

See Figure 6-1., Oil Sampling Port.

This machine is equipped with an oil sampling valve to allow for verification of hydraulic oil condition. Refer to the Service Manual for Oil Sampling procedures.

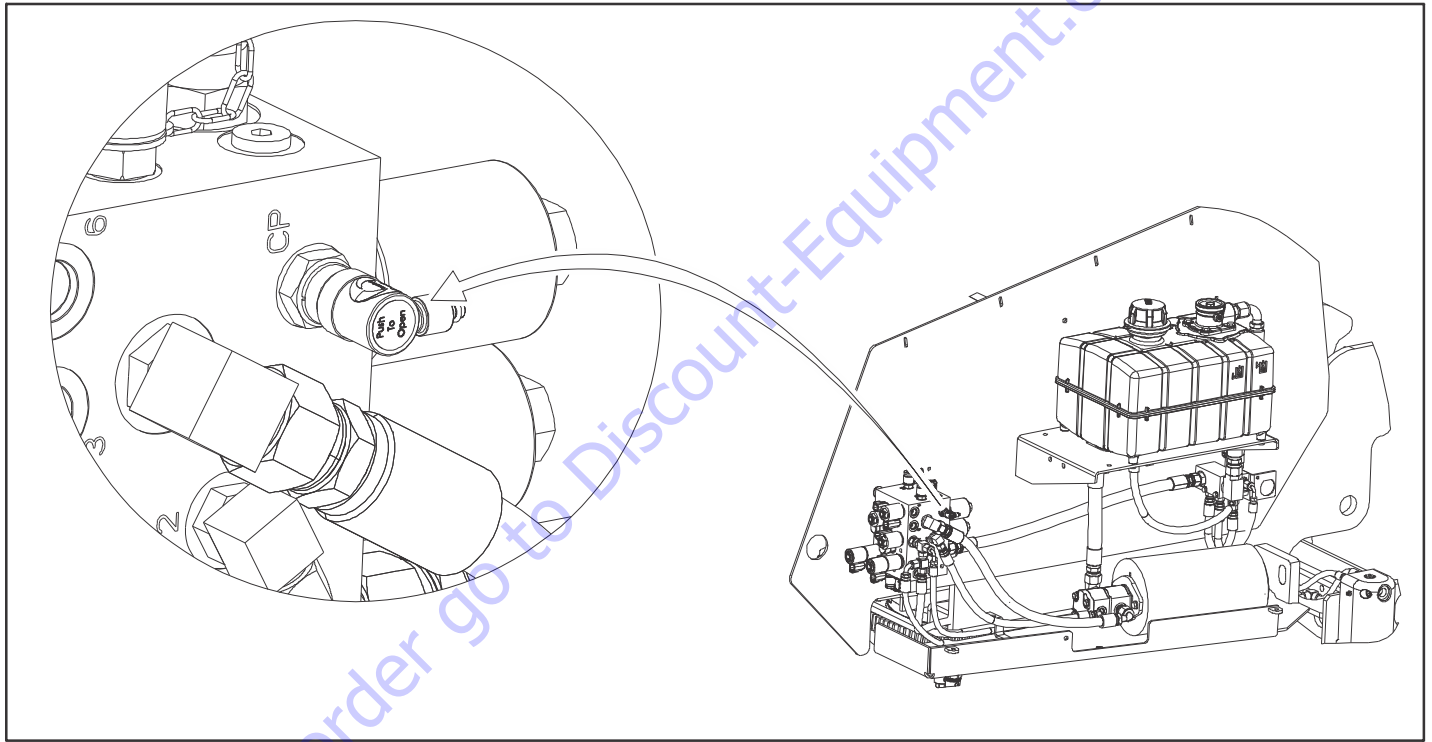


Figure 6-1. Oil Sampling Port

SECTION 6 - GENERAL SPECIFICATIONS & OPERATOR MAINTENANCE

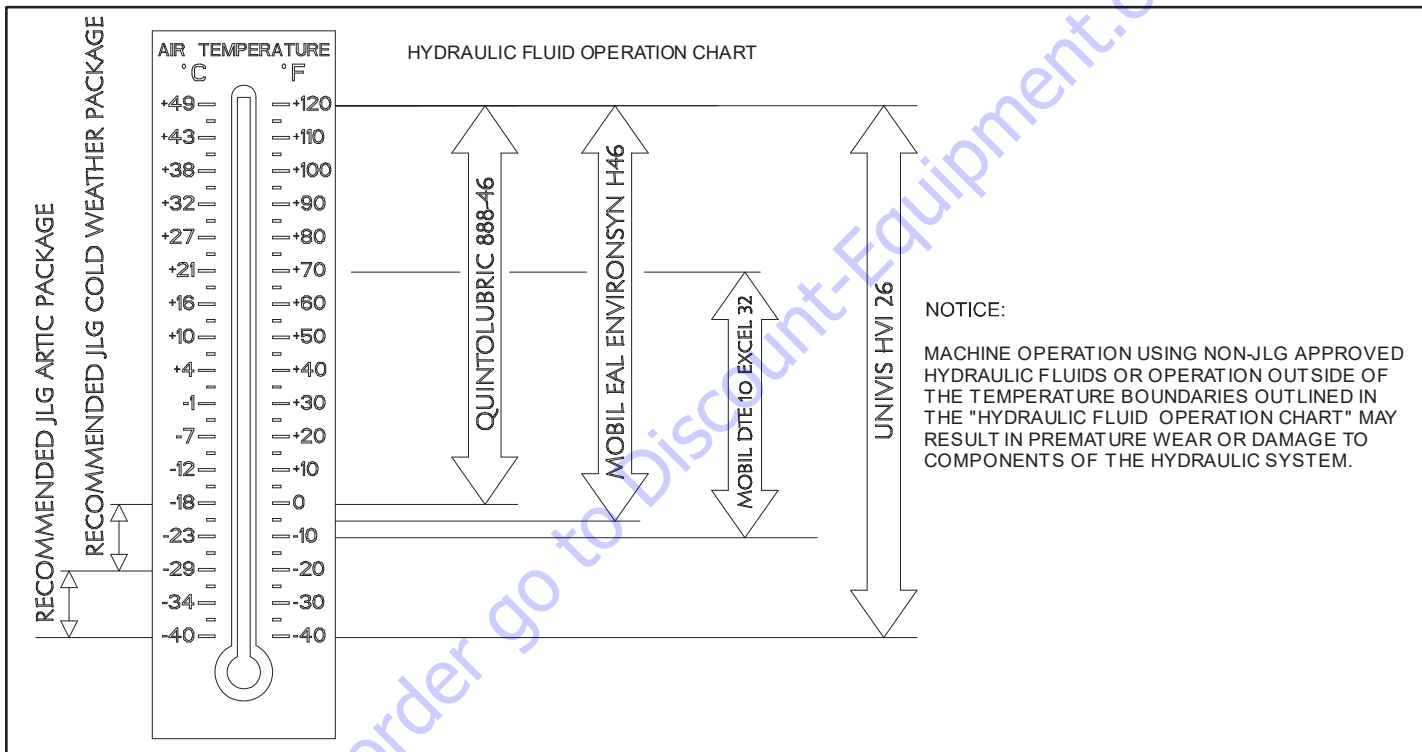


Figure 6-2. Hydraulic Oil Operation Chart - Sheet 1 of 2

SECTION 6 - GENERAL SPECIFICATIONS & OPERATOR MAINTENANCE

Fluid	Properties		Base				Classifications		
Description	Viscosity at 40° C (cSt, Typical)	Viscosity Index	Mineral Oils	Vegetable Oils	Synthetic	Synthetic Polyol Esters	Readily Biodegradable*	Virtually Non-toxic**	Fire Resistant***
Mobil DTE 10 Excel 32	32	164	X					X	
Univis HVI 26	26	376	X						
Mobil EAL EnviroSyn H46	49	145			X		X	X	
Quintolubric 888-46	50	185				X	X	X	X

* Readily biodegradable classification indicates one of the following:

CO2 Conversion > 60% per EPA 560/6-82-003

CO2 Conversion > 80% per CEC-L-33-A-93

** Virtually Non-toxic classification indicates an LC50 > 5000 ppm per OECD 203

*** Fire Resistant classification indicates Factory Mutual Research Corp. (FMRC) Approval

100116/9714A

Figure 6-3. Hydraulic Oil Operation Chart - Sheet 2 of 2

SECTION 6 - GENERAL SPECIFICATIONS & OPERATOR MAINTENANCE

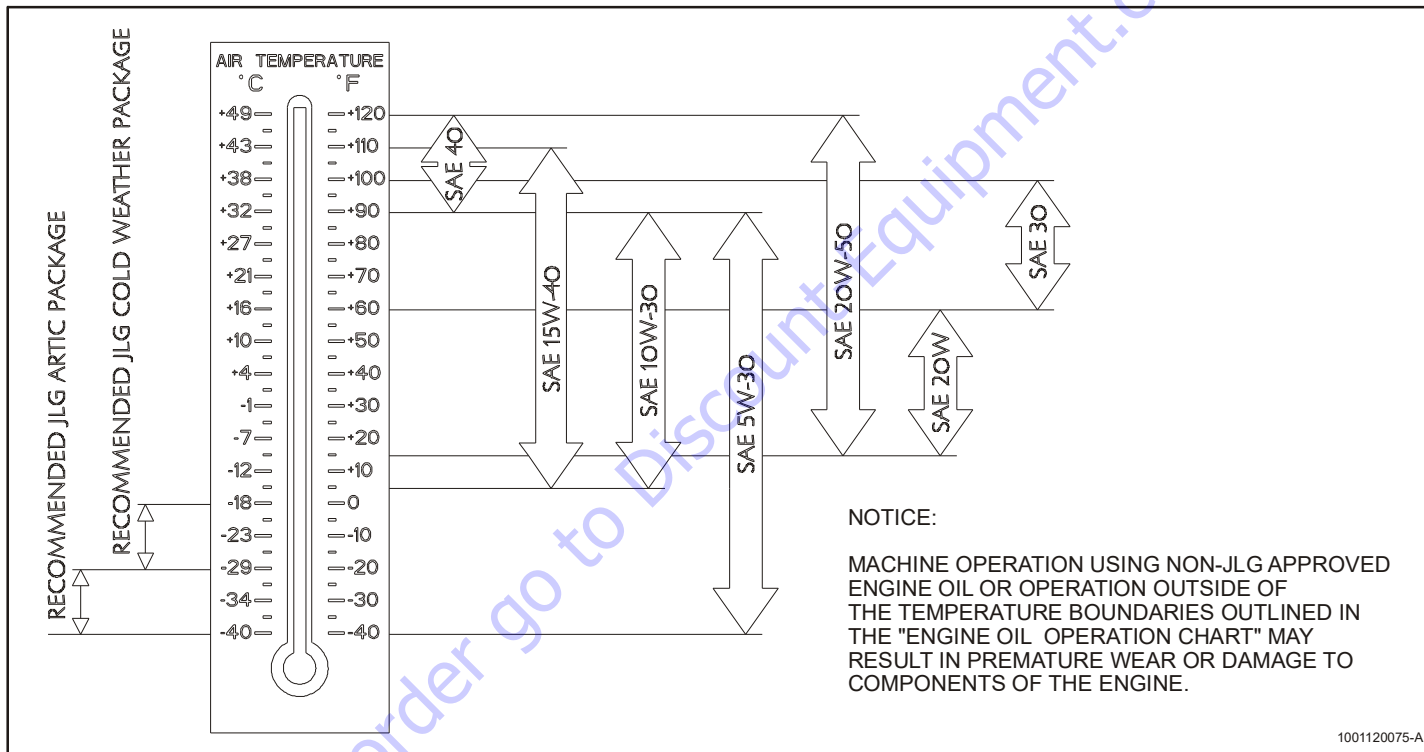


Figure 6-4. Engine Oil Operation Chart - Kubota

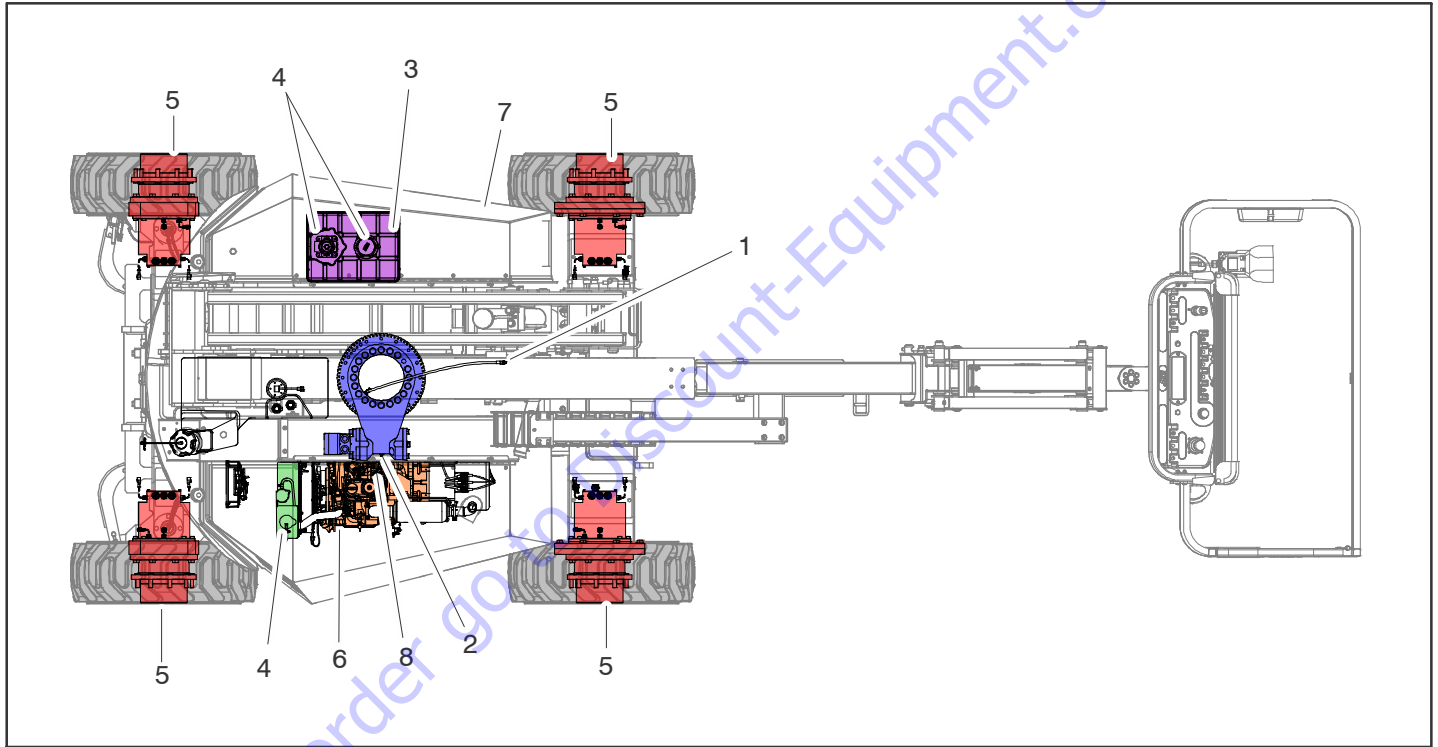


Figure 6-5. Operator Maintenance and Lubrication Diagram

SECTION 6 - GENERAL SPECIFICATIONS & OPERATOR MAINTENANCE

6.3 OPERATOR MAINTENANCE

NOTE: The following numbers correspond to those in Figure 6-5., Operator Maintenance and Lubrication Diagram.

Table 6-7. Lubrication Specifications.

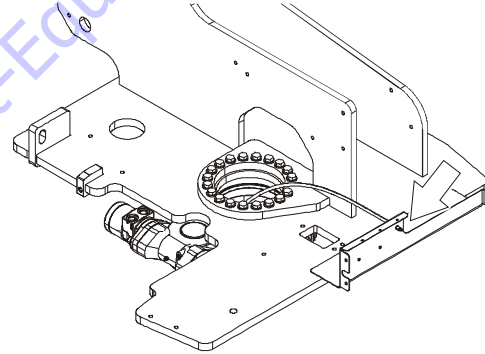
KEY	SPECIFICATIONS
BG*	Bearing Grease (JLG Part No. 3020029) Mobilith SHC 460.
HO	Hydraulic Oil. API service classification GL-4, e.g. Mobilfluid 424.
EPGL	Extreme Pressure Gear Lube (oil) meeting API Service Classification GL-5 or Mil-Spec Mil-L-2105.
MPG	Multipurpose Grease having a minimum dripping point of 350°F (177°C). Excellent water resistance and adhesive qualities, and being of extreme pressure type. (Timken OK 40 pounds minimum.)
EO	Engine (crankcase) Oil. API CI-4

*MPG may be substituted for these lubricants, if necessary, but service intervals will be reduced.

NOTICE

LUBRICATION INTERVALS ARE BASED ON MACHINE OPERATION UNDER NORMAL CONDITIONS. FOR MACHINES USED IN MULTI-SHIFT OPERATIONS AND/OR EXPOSED TO HOSTILE ENVIRONMENTS OR CONDITIONS, LUBRICATION FREQUENCIES MUST BE INCREASED ACCORDINGLY.

1. Swing Bearing



Lube Point(s) - Remote Fitting

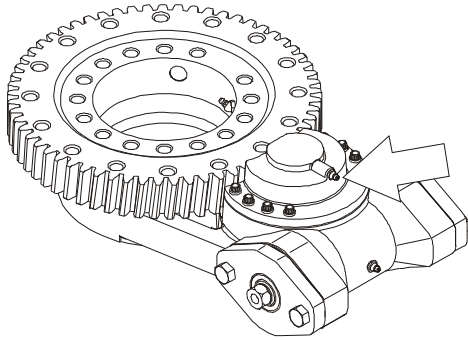
Capacity - A/R

Lube - BG

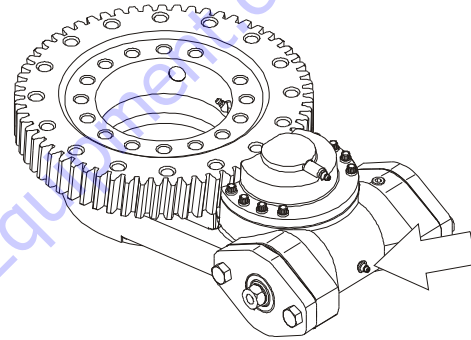
Interval - Every 3 months or 150 hrs of operation

Comments - Apply grease and rotate in 90 degree intervals until bearing is completely lubricated

2. Swing Bearing/Worm Gear Teeth



Lube Point(s) - Grease Fitting
Capacity - A/R
Lube - Lubriplate 930-AAA
Interval - A/R



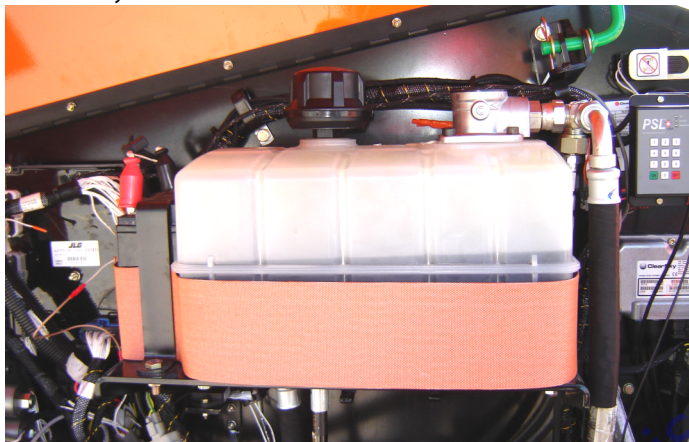
Lube Point(s) - Grease Fitting
Capacity - A/R
Lube - Mobil SHC 007
Interval - A/R

⚠ CAUTION

DO NOT OVERGREASE BEARINGS. OVERGREASING BEARINGS WILL RESULT IN DAMAGE TO OUTER SEAL IN HOUSING.

SECTION 6 - GENERAL SPECIFICATIONS & OPERATOR MAINTENANCE

3. Hydraulic Tank



Lube Point(s) - Fill Cap

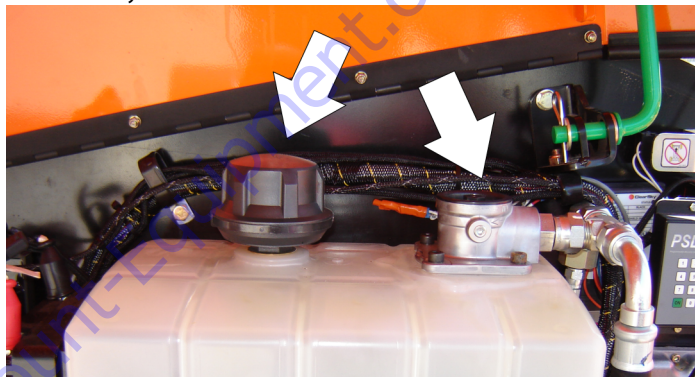
Capacity - 5 Gal. (18.9 L) maximum

Lube - HO

Interval - Check Level daily; Change every 2 years or 1200 hours of operation.

Comments - On new machines, those recently overhauled, or after changing hydraulic oil, operate all systems a minimum of two complete cycles and recheck oil level in reservoir.

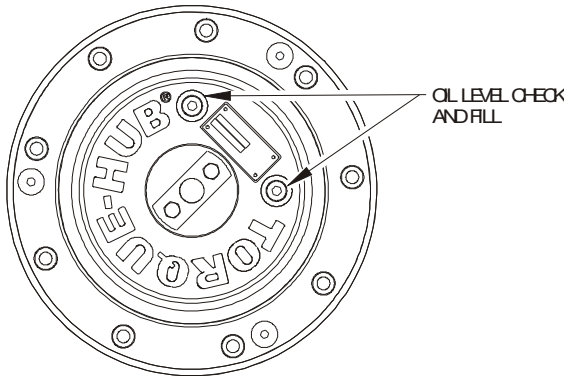
4. Hydraulic Tank Return Filter and Breather



Interval - Change after first 50 hrs. and every 6 months or 300 hrs. thereafter.

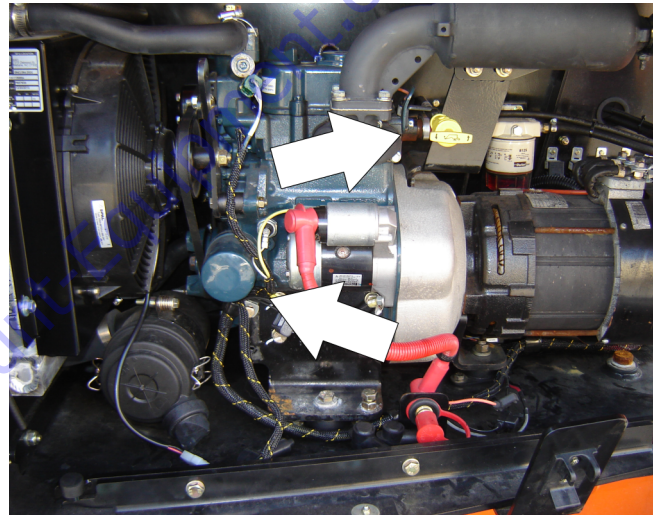
Comments - For breather element, twist top to replace. Under certain conditions, it may be necessary to replace both elements on a more frequent basis.

5. Wheel Drive Hub



Lube Point(s) - Level/Fill Plug
Capacity - 30.4 oz. (0.9 L)(1/2 Full)
Lube - EPGL
Interval - Check level every 3 months or 150 hrs of operation;
change every 2 years or 1200 hours of operation

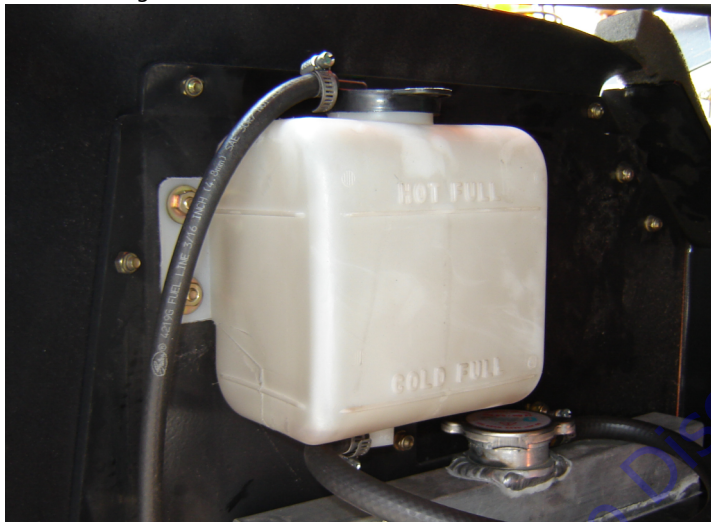
6. Oil Change with Filter - Kubota



Lube Point(s) - Fill Cap/Spin-on Element
Capacity - 2.6 Quarts (2.5 L) w/Filter
Lube - EO
Interval - Check level daily; change in accordance with engine
manual. Adjust final oil level by mark on dipstick. Refer to
Service Manual for engine hour retrieval.

SECTION 6 - GENERAL SPECIFICATIONS & OPERATOR MAINTENANCE

7. Engine Coolant - Kubota



Lube Point(s) - Fill Cap
Capacity - 1.6 gal. (6.0L)

Lube - Anti-Freeze

Interval - Check level daily; change every 1000 hours or two years, whichever comes first.

8. Fuel Filter/Water Separator - Kubota



Lube Point(s) - Replaceable Element

Interval - Every year or 600 hours of operation

6.4 TIRES & WHEELS

Tire Replacement

JLG recommends a replacement tire be the same size, ply and brand as originally installed on the machine. Please refer to the JLG Parts Manual for the part number of the approved tires for a particular machine model. If not using a JLG approved replacement tire, we recommend that replacement tires have the following characteristics:

- Equal or greater ply/load rating and size of original
- Tire tread contact width equal or greater than original
- Wheel diameter, width, and offset dimensions equal to the original
- Approved for the application by the tire manufacturer (including inflation pressure and maximum tire load)

Unless specifically approved by JLG Industries Inc. do not replace a foam filled or ballast filled tire assembly with a pneumatic tire. Due to size variations between tire brands, both tires on the same axle should be the same.

Wheel and Tire Replacement

The rims installed on each product model have been designed for stability requirements which consist of track width, tire pressure, and

load capacity. Size changes such as rim width, center piece location, larger or smaller diameter, etc., without written factory recommendations, may result in an unsafe condition regarding stability.

Wheel Installation

It is extremely important to apply and maintain proper wheel mounting torque.

⚠ WARNING

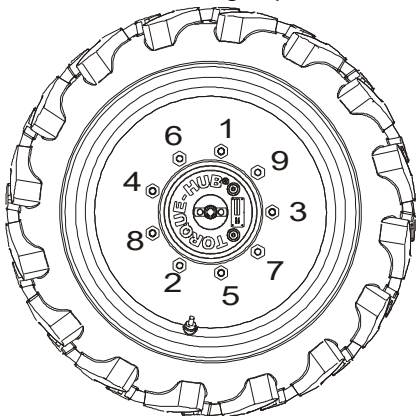
WHEEL NUTS MUST BE INSTALLED AND MAINTAINED AT THE PROPER TORQUE TO PREVENT LOOSE WHEELS, BROKEN STUDS, AND POSSIBLE DANGEROUS SEPARATION OF WHEEL FROM THE AXLE. BE SURE TO USE ONLY THE NUTS MATCHED TO THE CONE ANGLE OF THE WHEEL.

Tighten the lug nuts to the proper torque to prevent wheels from coming loose. Use a torque wrench to tighten the fasteners. If you do not have a torque wrench, tighten the fasteners with a lug wrench, then immediately have a service garage or dealer tighten the lug nuts to the proper torque. Over-tightening will result in breaking the studs or permanently deforming the mounting stud holes in the wheels. The proper procedure for attaching wheels is as follows:

1. Start all nuts by hand to prevent cross threading. **DO NOT** use a lubricant on threads or nuts.

SECTION 6 - GENERAL SPECIFICATIONS & OPERATOR MAINTENANCE

2. Tighten nuts in the following sequence.



3. The tightening of the nuts should be done in stages. Following the recommended sequence, tighten nuts per wheel torque.

Table 6-8. Wheel Torque Chart

TORQUE SEQUENCE		
1st Stage	2nd Stage	3rd Stage
40 ft lbs (55 Nm)	95 ft lbs (130 Nm)	170 ft lbs (230 Nm)

4. Wheel nuts should be torqued before first road use and after each wheel removal. Check torque every 3 months or 150 hours of operation.

6.5 OSCILLATING AXLE LOCKOUT TEST (IF EQUIPPED)

NOTICE

LOCKOUT SYSTEM TEST MUST BE PERFORMED QUARTERLY, ANY TIME A SYSTEM COMPONENT IS REPLACED, OR WHEN IMPROPER SYSTEM OPERATION IS SUSPECTED.

NOTE: *Ensure boom is fully retracted, lowered, and centered between rear wheels prior to beginning lockout cylinder test.*

1. Place a 6 in (15.2 cm) high block with ascension ramp in front of left front wheel.
2. From platform control console, start engine.
3. Place the Drive control lever to the forward position and carefully drive machine up ascension ramp until left front wheel is on top of block.
4. Carefully activate Swing control lever and position boom over right side of machine.
5. With boom over right side of machine, place Drive control lever to Reverse and drive machine off of block and ramp.

6. Have an assistant check to see that left front or right rear wheel remains elevated in position off of ground.
7. Carefully activate Swing control lever and return boom to stowed position (centered between rear wheels). When boom reaches center, stowed position, lockout cylinders should release and allow wheel to rest on ground, it may be necessary to activate Drive to release cylinders.
8. Place the 6 in (15.2 cm) high block with ascension ramp in front of right front wheel.
9. Place Drive control lever to Forward and carefully drive machine up ascension ramp until right front wheel is on top of block.
10. With boom over left side of machine, place Drive control lever to Reverse and drive machine off of block and ramp.
11. Have an assistant check to see that right front or left rear wheel remains elevated in position off of ground.
12. Carefully activate Swing control lever and return boom to stowed position (centered between rear wheels). When boom reaches center, stowed position, lockout cylinders should release and allow wheel to rest on ground, it may be necessary activate Drive to release cylinders.

If lockout cylinders do not function properly, have qualified personnel correct the malfunction prior to any further operation.

6.6 SUPPLEMENTAL INFORMATION

The following information is provided in accordance with the requirements of the European Machinery Directive 2006/42/EC and is only applicable to CE machines.

For electric powered machines, the equivalent continuous A-Weighted sound pressure level at the work platform is less than 70dB(A).

For combustion engine powered machines, guaranteed Sound Power Level (LWA) per European Directive 2000/14/EC (Noise Emission in the Environment by Equipment for Use Outdoors) based on test methods in accordance with Annex III, Part B, Method 1 and 0 of the directive, is 104 dB.

The vibration total value to which the hand-arm system is subjected does not exceed 2,5 m/s². The highest root mean square value of weighted acceleration to which the whole body is subjected does not exceed 0,5 m/s².

TO PURCHASE THIS PRODUCT PLEASE CONTACT US



**Equipment Financing and
Extended Warranties Available**



**Discount-Equipment.com is your online resource for
commercial and industrial quality parts and equipment sales.**

561-964-4949

visit us on line @ www.discount-equipment.com

Select an option below to find your Equipment

Search by Manufacturer

Search by Product Type

Request a Quote

We sell worldwide for the brands: Genie, Terex, JLG, MultiQuip, Mikasa, Essick, Whiteman, Mayco, Toro Stone, Diamond Products, Generac Magnum, Airman, Haulotte, Barreto, Power Blanket, Nifty Lift, Atlas Copco, Chicago Pneumatic, Allmand, Miller Curber, Skyjack, Lull, Skytrak, Tsurumi, Husquvarna Target, Stow, Wacker, Sakai, Mi-T-M, Sullair, Basic, Dynapac, MBW, Weber, Bartell, Bennar Newman, Haulotte, Ditch Runner, Menegotti, Morrison, Contec, Buddy, Crown, Edco, Wyco, Bomag, Laymor, EZ Trench, Bil-Jax, F.S. Curtis, Gehl Pavers, Heli, Honda, ICS/PowerGrit, IHI, Partner, Imer, Clipper, MMD, Koshin, Rice, CH&E, General Equipment, Amida, Coleman, NAC, Gradall, Square Shooter, Kent, Stanley, Tamco, Toku, Hatz, Kohler, Robin, Wisconsin, Northrock, Oztec, Toker TK, Rol-Air, APT, Wylie, Ingersoll Rand / Doosan, Innovatech, Con X, Ammann, Mecalac, Makinex, Smith Surface Prep, Small Line, Wanco, Yanmar

JLG[®]

An Oshkosh Corporation Company

**Discount
Equipment**

www.Discount-Equipment.com

To order go to Discount-Equipment.com