

OPERATION AND PARTS MANUAL



***WHITEMAN* SERIES** **WALK-BEHIND TROWEL**

J-36/M-30 SERIES

**5.5 HP, 9 HP, 9 HP HIGH SPEED
HONDA GASOLINE ENGINE**

6 HP, 9 HP ROBIN GASOLINE ENGINE

Revision #0 (12/29/06)



THIS MANUAL MUST ACCOMPANY THE EQUIPMENT AT ALL TIMES.

PARTS FINDER

**Search Website
by Part Number**



**Search Manual
Library For Parts
Manual & Lookup Part
Numbers – Purchase
or Request Quote**

Search Manuals

Enter your information to help us find the right parts manual for your machine.

* Brand:

* Model:

* Serial:

* Part Number:

SEARCH

**Can't Find Part or
Manual? Request Help
by Manufacturer,
Model & Description**

Parts Order Form

Please fill in the following information to help us find the right part for your machine.

Manufacturer:	<input type="text"/>
Model:	<input type="text"/>
Description:	<input type="text"/>
Part Number:	<input type="text"/>
Quantity:	<input type="text"/>
Notes:	<input type="text"/>

Submit

Discount-Equipment.com is your online resource for quality parts & equipment.

Florida: **561-964-4949** Outside Florida TOLL FREE: **877-690-3101**

Need parts?

Click on this link: <http://www.discount-equipment.com/category/5443-parts/> and choose one of the options to help get the right parts and equipment you are looking for. Please have the machine model and serial number available in order to help us get you the correct parts. If you don't find the part on the website or on one of the online manuals, please fill out the request form and one of our experienced staff members will get back to you with a quote for the right part that your machine needs.

We sell worldwide for the brands: Genie, Terex, JLG, MultiQuip, Mikasa, Essick, Whiteman, Mayco, Toro Stone, Diamond Products, Generac Magnum, Airman, Haulotte, Barreto, Power Blanket, Nifty Lift, Atlas Copco, Chicago Pneumatic, Allmand, Miller Curber, Skyjack, Lull, Skytrak, Tsurumi, Husquvarna Target, Stow, Wacker, Sakai, Mi-T-M, Sullair, Basic, Dynapac, MBW, Weber, Bartell, Bennar Newman, Haulotte, Ditch Runner, Menegotti, Morrison, Contec, Buddy, Crown, Edco, Wyco, Bomag, Laymor, EZ Trench, Bil-Jax, F.S. Curtis, Gehl Pavers, Heli, Honda, ICS/PowerGrit, IHI, Partner, Imer, Clipper, MMD, Koshin, Rice, CH&E, General Equipment, Amida, Coleman, NAC, Gradall, Square Shooter, Kent, Stanley, Tamco, Toku, Hatz, Kohler, Robin, Wisconsin, Northrock, Oztec, Toker TK, Rol-Air, APT, Wylie, Ingersoll Rand / Doosan, Innovatech, Con X, Ammann, Mecalac, Makinex, Smith Surface Prep, Small Line, Wanco, Yanmar



WARNING



CALIFORNIA — Proposition 65 Warning

Engine exhaust and some of its constituents, and some dust created by power sanding, sawing, grinding, drilling and other construction activities contains chemicals known to the State of California to cause cancer, birth defects and other reproductive harm. Some examples of these chemicals are:

- Lead from lead-based paints.
- Crystalline silica from bricks.
- Cement and other masonry products.
- Arsenic and chromium from chemically treated lumber.

Your risk from these exposures varies, depending on how often you do this type of work. To reduce your exposure to these chemicals: **ALWAYS** work in a well ventilated area, and work with approved safety equipment, such as dust masks that are specially designed to filter out microscopic particles.

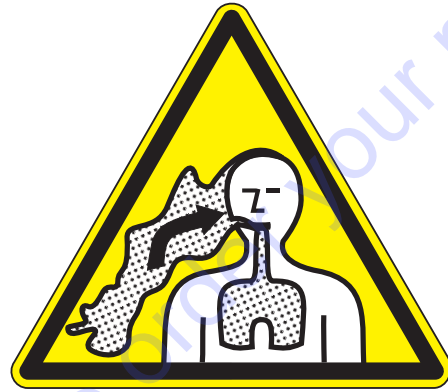
! WARNING



SILICOSIS WARNING

Grinding/cutting/drilling of masonry, concrete, metal and other materials with silica in their composition may give off dust or mists containing crystalline silica. Silica is a basic component of sand, quartz, brick clay, granite and numerous other minerals and rocks. Repeated and/or substantial inhalation of airborne crystalline silica can cause serious or fatal respiratory diseases, including silicosis. In addition, California and some other authorities have listed respirable crystalline silica as a substance known to cause cancer. When cutting such materials, always follow the respiratory precautions mentioned above.

! WARNING



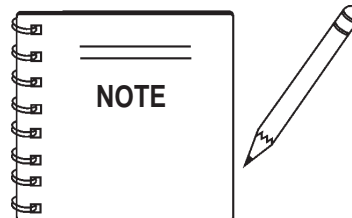
RESPIRATORY HAZARDS

Grinding/cutting/drilling of masonry, concrete, metal and other materials can generate dust, mists and fumes containing chemicals known to cause serious or fatal injury or illness, such as respiratory disease, cancer, birth defects or other reproductive harm. If you are unfamiliar with the risks associated with the particular process and/or material being cut or the composition of the tool being used, review the material safety data sheet and/or consult your employer, the material manufacturer/supplier, governmental agencies such as OSHA and NIOSH and other sources on hazardous materials. California and some other authorities, for instance, have published lists of substances known to cause cancer, reproductive toxicity, or other harmful effects.

Control dust, mist and fumes at the source where possible. In this regard use good work practices and follow the recommendations of the manufacturers or suppliers, OSHA/NIOSH, and occupational and trade associations. Water should be used for dust suppression when wet cutting is feasible. When the hazards from inhalation of dust, mists and fumes cannot be eliminated, the operator and any bystanders should always wear a respirator approved by NIOSH/MSHA for the materials being used.

MQ WHITEMAN J-36/M-30 WALK-BEHIND TROWEL

Table Of Contents	4
Parts Ordering Procedures	5
Dimensions	6
Specifications	7
Training Checklist	8
Daily Pre-Operation Checklist	9
Safety Message Alert Symbols	10-11
Rules For Safe Operation	12-13
Operation And Safety Decals	14
General Information	15
Controls and Components	16-17
Basic Engine	18
Assembly And Installation	19-22
Pre-Inspection	23-24
Initial Start-Up	25-26
Operation	27-28
Options	29-30
Maintenance	31-37
Troubleshooting (Trowel)	38-39
Troubleshooting (Engine)	40
Explanation of Codes in Remarks Column	42
Suggested Spare Parts	43
Nameplate And Decals	44-45
Standard Handle Assembly	46-47
Quick Pitch Handle Assembly	48-51
Basic Unit Assembly	52-53
Gearbox Assembly	54-55
Engine, 5.5 HP HONDA And 6 HP ROBIN Assy.	56-57
Engine, 9 HP HONDA And 9 HP ROBIN Assy.	58-59
Engine, M-30 Trowel, 5.5 HP HONDA Assy.	60-61
Thrust Collar And Yoke Assembly	62-63
Spider Assembly	64-65
Blades & Pan Assembly	66-67
Terms And Conditions Of Sale-Parts	69



**Specifications and
part numbers are
subject to change
without notice.**

J-36/M-30 TROWEL— DIMENSIONS

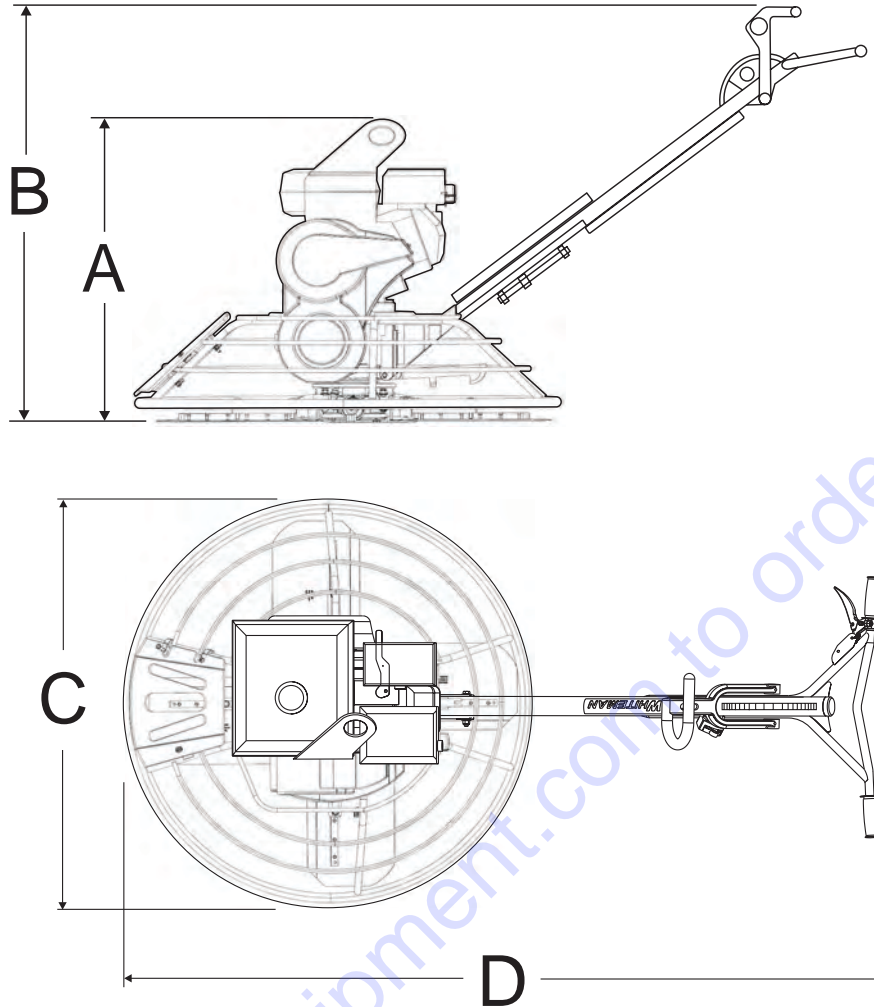


Figure 1. J-36/M-30 Trowel Dimensions

Table 1. J-36/M-30 Trowel Dimensions & Weights

	J-36		M-30	
	Standard	Quick Pitch	Standard	Quick Pitch
A - Height (Lifting Bale)	27 in. (686 mm)		26 in. (661 mm)	
B - Height (Engagement Lever)	40 in. (1016 mm)	42 in. (1067 mm)	40 in. (1016 mm)	42 in. (1067 mm)
C - Width	37.4 in. (950 mm)		31.75 in. (807 mm)	
D - Length	74 in. (1880 mm)		74 in. (1880 mm)	
Shipping Weight - 5.5 HP Honda/6 HP Robin	225 lb. (102 Kg)	235 lb. (107 Kg)	195 lb. (88.5 Kg)	205 lb. (93 Kg)
Shipping Weight - 9 HP Honda/9 HP Robin	235 lb. (107 Kg)	245 lb. (111 Kg)	n/a	n/a

J-36/M-30 TROWEL— SPECIFICATIONS

Table 2. Trowel Specifications

Model	J36H55/J36R60	J36H90/J36R90	J-36 High Speed	M-30
Number of Blades	4	4	4	4
Ring Diameter	37.38 in. (950 mm)	37.38 in. (950 mm)	37.38 in. (950 mm)	31.75 in. (807 mm)
Rotor - RPM	60 - 115	60 - 130	90 - 155	60 - 130
Path Width	34.5 in (876 mm)	34.5 in (876 mm)	34.5 in (876 mm)	28.67 in (728 mm)
Vibration (Hand/Arm) ¹	19.0 m/s ²	19.0 m/s ²	19.0 m/s ²	19.0 m/s ²
Sound Pressure (Weighted) ²	109 db	109 db	109 db	109 db
Sound Pressure (Guaranteed) ²	94 db	94 db	94 db	94 db

NOTE:

1. The vibration level indicated is the maximum RMS (Root Mean Square) value obtained at the handle grip while operating the walk-behind trowel at full throttle on steel plate with blades partially pitched.
2. Sound pressure is a weighted measure. It is measured at the operator's ear position while the walk-behind trowel is operating at full throttle on concrete in a manner most often experienced in "**normal**" circumstances. Sound pressure may vary depending upon the condition of the concrete.

Table 3. Specifications (Engines)

	Model	HONDA GX160UT	ROBIN EX-17D	HONDA GX270UT1	ROBIN EX-27D
Engine	Type	Air-cooled 4 stroke, Single Cylinder, OHV, Horizontal Shaft Gasoline Engine	Air-cooled 4 stroke, Single Cylinder, OHV, Horizontal Shaft Gasoline Engine	Air-cooled 4 stroke, Single Cylinder, OHV, Horizontal Shaft Gasoline Engine	Air-cooled 4 stroke, Single Cylinder, OHV, Horizontal Shaft Gasoline Engine
	Bore X Stroke	2.70 in. X 1.8 in. (68 mm x 45 mm)	2.64 in. X 1.89 in. (67 mm x 48 mm)	3.0 in. X 2.3 in. (77 mm x 58 mm)	2.95 in. X 2.36 in. (75 mm x 60 mm)
	Displacement	163 cc	169 cc	270 cc	265 cc
	Max Output	5.4 H.P. @ 3600 RPM	5.7 H.P. @ 4000 RPM	9 H.P. @ 3600 RPM	9 H.P. @ 4000 RPM
	Fuel Tank Capacity	Approx. 0.95 U.S. Gallons (3.6 Liters)	Approx. 0.95 U.S. Gallons (3.6 Liters)	Approx. 1.59 U.S. Gallons (6.0 Liters)	Approx. 1.59 U.S. Gallons (6.0 Liters)
	Fuel	Unleaded Gasoline	Unleaded Gasoline	Unleaded Gasoline	Unleaded Gasoline
	Lube Oil Capacity	0.63 Qt. (0.6 Liters)	0.63 Qt. (0.6 Liters)	1.06 Qt. (1.1 Liters)	1.06 Qt. (1.0 Liters)
	Speed Control Method	Centrifugal Fly-weight Type	Centrifugal Fly-weight Type	Centrifugal Fly-weight Type	Centrifugal Fly-weight Type
	Starting Method	Recoil Start	Recoil Start	Recoil Start	Recoil Start
	Dimension (L x W x H)	12.3 x 14.3 X 13.2 in. (312 X 362 X 335 mm)	11.97 x 13.94 X 13.2 in. (304 X 354 X 335 mm)	14.0 x 16.9 X 16.1 in. (355 X 430 X 410 mm)	13.82 x 16.54 X 16.14 in. (351 X 420 X 410 mm)
Dry Net Weight	33.1 lbs (15 Kg.)	33.1 lbs (15 Kg.)	55.1 lbs (25 Kg.)	46.3 lbs (21 Kg.)	

J-36/M-30 TROWEL— TRAINING CHECKLIST

TRAINING CHECKLIST

This checklist will list some of the minimum requirements for machine maintenance and operation. Please feel free to detach it and make copies. Use this checklist whenever a new operator is to be trained or it can be used as a review for more experienced operator's.

TRAINING CHECKLIST			
NO.	DESCRIPTION	OK?	DATE
1	Read Operator's Manual completely.		
2	Machine layout, location of components, checking of engine and gearbox fluid level.		
3	Fuel system, refueling procedure.		
4	Operation of controls (machine not running).		
5	Safety controls, clutch operation.		
6	Emergency stop procedures.		
7	Startup of machine.		
8	Maneuvering.		
9	Pitching.		
10	Concrete finishing techniques.		
11	Shutdown of machine.		
12	Lifting of machine.		
13	Machine transport and storage.		

Operator _____ Trainee _____

COMMENTS:

J-36/M-30 TROWEL— DAILY PRE-OPERATION CHECKLIST

DAILY PRE-OPERATION CHECKLIST

DAILY PRE-OPERATION CHECKLIST		✓	✓	✓	✓	✓	✓
1	Engine Oil Level.						
2	Gearbox Fluid Level.						
3	Condition of Blades.						
4	Blade Pitch Operation.						
5	Clutch Operation.						

COMMENTS:

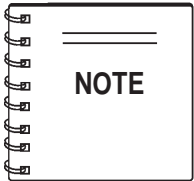
Go to Discount-Equipment.com to order your parts

J-36/M-30 TROWEL— SAFETY MESSAGE ALERT SYMBOLS

FOR YOUR SAFETY AND THE SAFETY OF OTHERS!

Safety precautions should be followed at all times when operating this equipment. Failure to read and understand and comply with the Safety Messages and Operating Instructions could result in injury to yourself and others.

This Owner's Manual has been developed to provide complete instructions for the safe and efficient operation of the MQ Whiteman J-36/M-30 TROWEL. For engine maintenance information, please refer to the engine manufacturer's instructions for data relative to its safe operation.



Before using this WALK-BEHIND TROWEL, ensure that the operating individual has read, understands, and complies with all instructions in this manual.

SAFETY MESSAGE ALERT SYMBOLS

The three (3) Safety Messages shown below will inform you about potential hazards that could injure you or others. The Safety Messages specifically address the level of exposure to the operator, and are preceded by one of three words: **DANGER**, **WARNING**, or **CAUTION**.

DANGER

You **WILL** be **KILLED** or **SERIOUSLY INJURED** if you **DO NOT** follow these directions.

WARNING

You **CAN** be **KILLED** or **SERIOUSLY INJURED** if you **DO NOT** follow these directions.

CAUTION

You **CAN** be **INJURED** if you **DO NOT** follow these directions.

Potential hazards associated with trowel operation will be referenced with Hazard Symbols which appear throughout this manual, and will be referenced in conjunction with Safety Message Alert Symbols.

HAZARD SYMBOLS



Lethal Exhaust Gases



Engine exhaust gases contain poisonous carbon monoxide. This gas is colorless and odorless, and can cause death if inhaled. **NEVER** operate this equipment in a confined area or enclosed structure that does not provide ample free flow air.



Explosive Fuel



Gasoline is extremely flammable, and its vapors can cause an explosion if ignited. **DO NOT** start the engine near spilled fuel or combustible fluids. **DO NOT** fill the fuel tank while the engine is running or hot. **DO NOT** overfill tank, since spilled fuel could ignite if it comes into contact with hot engine parts or sparks from the ignition system. Store fuel in approved containers, in well-ventilated areas and away from sparks and flames. **NEVER** use fuel as a cleaning agent.



Burn Hazards



Engine components can generate extreme heat. To prevent burns, **DO NOT** touch these areas while the engine is running or immediately after operations. **NEVER** operate the engine with heat shields or heat guards removed.



Rotating Parts



NEVER operate equipment with covers, or guards removed. Keep **fingers, hands, hair** and **clothing** away from all moving parts to prevent injury.

J-36/M-30 TROWEL— SAFETY MESSAGE ALERT SYMBOLS



Accidental Starting



ALWAYS place the engine **ON/OFF** switch in the **OFF** position, when the trowel is not in use.



Respiratory Hazard



ALWAYS wear approved respiratory protection.



Over Speed Conditions



NEVER tamper with the factory settings of the engine governor or settings. Personal injury and damage to the engine or equipment can result if operating in speed ranges above maximum allowable.



Sight and Hearing hazard



ALWAYS wear approved eye and hearing protection.



Equipment Damage Messages

Other important messages are provided throughout this manual to help prevent damage to your trowel, other property, or the surrounding environment.



CAUTION

This walk-behind trowel, other property, or the surrounding environment could be damaged if you do not follow instructions.

J-36/M-30 TROWEL — RULES FOR SAFE OPERATION


RULES FOR SAFE OPERATION

WARNING

Failure to follow instructions in this manual may lead to serious injury or even death! This equipment is to be operated by trained and qualified personnel only! This equipment is for industrial use only.


The following safety guidelines should always be used when operating the J-36/M-30.


SAFETY

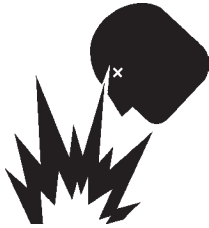
- **DO NOT** operate or service this equipment before reading this entire manual. The manual must be kept available and accessible to the operator. 
- This equipment should not be operated by persons under the minimum statutory age limit.
- **NEVER** use this machine for any purpose other than those described in this manual.
- **NEVER** operate the trowel without proper protective clothing, shatterproof glasses, steel-toed boots and other protective devices required for the job.




- **NEVER** use accessories or attachments which are not recommended by Multiquip for this equipment. Damage to the equipment and/or injury to user may result.
- Manufacturer does not assume responsibility for any accident due to equipment modifications. Unauthorized equipment modification will void all warranties. Any modification which could lead to a change in the original characteristics of the machine should be made only by the manufacturer who shall confirm that the machine is in conformity with appropriate safety regulations.

- **NEVER** operate this equipment when not feeling well due to fatigue, illness or taking medicine.
- **NEVER** operate the trowel under the influence of drugs or alcohol.
- Replace nameplate, operation and safety decals when they become difficult to read.
- **ALWAYS** check the trowel for loosened hardware such as nuts and bolts before starting.
- **NEVER** touch the hot exhaust manifold, muffler or cylinder. Allow these parts to cool before servicing the trowel. 

- **High Temperatures** – Allow the engine to cool before adding fuel or performing service and maintenance functions. Contact with **hot!** components can cause serious burns.
- The engine of this trowel requires an adequate free flow of cooling air. **NEVER** operate the trowel in any enclosed or narrow area where free flow of the air is restricted. If the air flow is restricted it will cause serious damage to the engine and may cause injury to people. Remember the engine gives off **DEADLY** carbon monoxide gas. 

- **ALWAYS** refuel in a well-ventilated area, away from sparks and open flames.
- **ALWAYS** use extreme caution when working with **flammable** liquids. When refueling, **STOP** the engine and allow it to cool.
- **NEVER** operate the trowel in an explosive atmosphere where fumes are present, or near combustible materials. An explosion or fire could result in severe **bodily harm or even death**. 

- **NEVER** smoke around or near the machine. Fire or explosion could result from **fuel vapors**, or if fuel is spilled on a **hot!** engine. 
- Topping-off to filler port is dangerous, as it tends to spill fuel.
- **NEVER** use fuel as a cleaning agent.

J-36/M-30 TROWEL — RULES FOR SAFE OPERATION

- **NEVER** Run engine without air filter. Severe engine damage may occur. Service air filter frequently to prevent carburetor malfunction.
- **NEVER** place your **feet** or **hands** inside the guard rings while starting or operating this equipment.
- **AVOID** wearing jewelry or loose fitting clothing that may snag on the controls or moving parts as this can cause a serious injury.
- **ALWAYS** keep clear of **rotating** or **moving parts** while operating the trowel.
- **Moving Parts** – Shut down the engine before performing service or maintenance functions. Contact with moving parts can cause serious injury.
- **ALWAYS** check to make sure that the operating area is clear before starting the engine.
- **NEVER** leave the machine **unattended** while running.
- **ALWAYS** be sure the operator is familiar with proper safety precautions and operations techniques before using trowel.
- **ALWAYS** keep the work area well organized.
- **ALWAYS** clear the work area of any debris, tools, etc. that would constitute a hazard while the trowel is in operation.

WARNING

ALWAYS check to make sure that the operating area is clear before starting the engine.

- No one other than the operator is to be in the working area when the trowel is in operation.
- Always observe all applicable compulsory regulations relevant to environmental protection, especially, fuel storage, the handling of hazardous substances, and the wearing of protective clothing and equipment. Instruct the user as necessary, or, as the user, request this information and training.
- **ALWAYS** store equipment properly when it is not being used. Equipment should be stored in a clean, dry location out of the reach of children.

Transporting

- **ALWAYS** shutdown engine before transporting.
- Tighten fuel tank cap securely and close fuelcock to prevent fuel from spilling.
- Drain fuel when transporting trowel over long distances or bad roads.

- When placing the trowel inside a truck-bed for transport, always tie-down the trowel.
- **ALWAYS** use proper lifting techniques when moving the trowel.

Maintenance Safety

- **NEVER** lubricate components or attempt service on a running trowel.
- **ALWAYS** allow the trowel a proper amount of time to cool before servicing.
- Keep the trowel in proper running condition.
- Fix damage to the trowel immediately and always replace broken parts.
- Dispose of hazardous waste properly. Examples of potentially hazardous waste are used motor oil, fuel and fuel filters.
- **DO NOT** use food or plastic containers to dispose of hazardous waste.

Emergencies

- **ALWAYS** know the location of the nearest **fire extinguisher**.



- **ALWAYS** know the location of the nearest **first aid kit**.



- In emergencies **always** know the location of the nearest phone or **keep a phone on the job site**. Also know the phone numbers of the nearest **ambulance, doctor** and **fire department**. This information is invaluable in the case of an emergency and could keep a serious situation from becoming a tragic one.



J-36/M-30 TROWEL— OPERATION AND SAFETY DECALS

OPERATION AND SAFETY DECALS

The J-36/M-30 walk-behind trowel is equipped with a number of operation, safety and maintenance decals. Should any of these decals become unreadable, replacements can be obtained from your dealer.

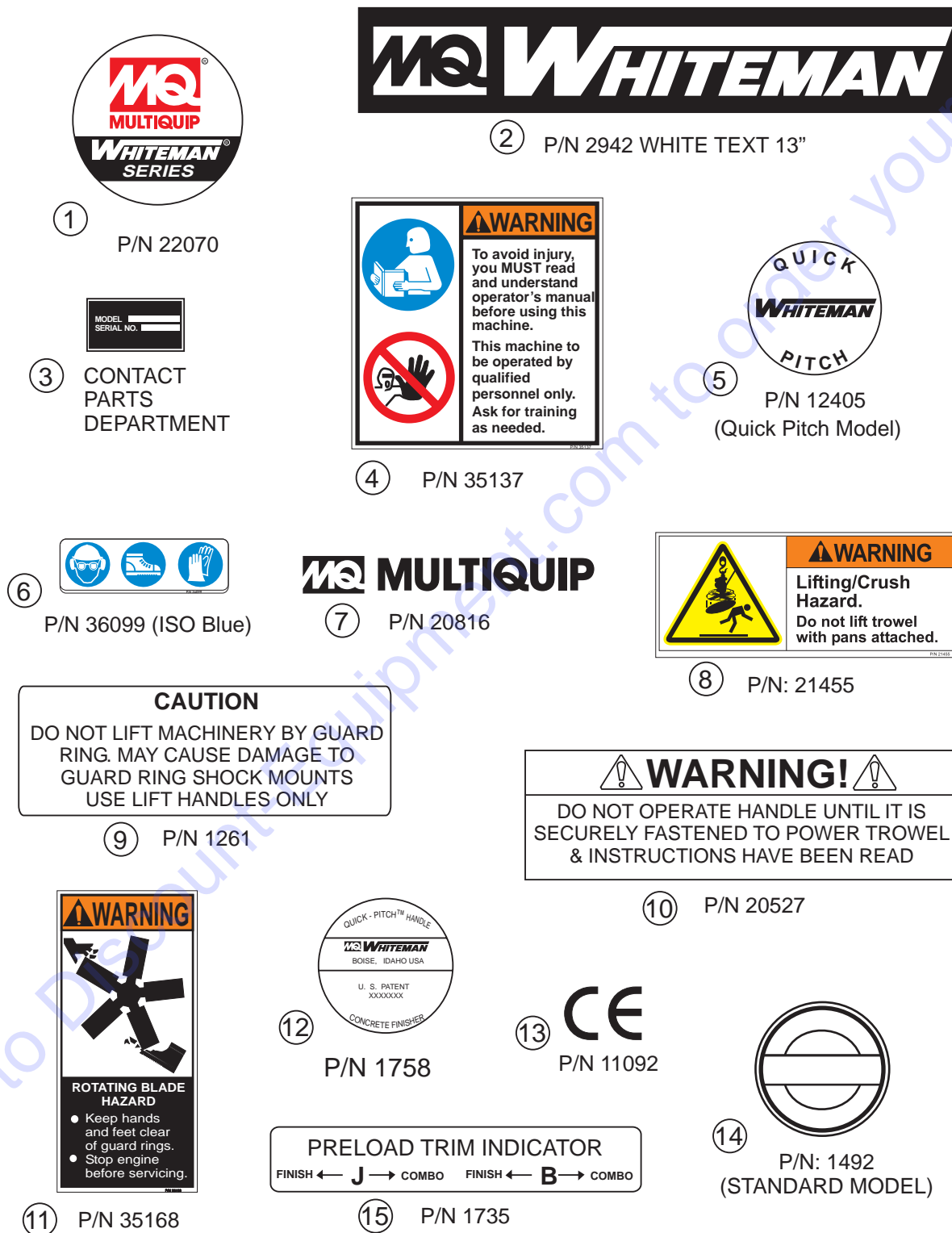


Figure 2. Operation and Safety Decals

J-36/M-30 TROWEL— GENERAL INFORMATION

Intended Use

Operate the J-36/M-30 Trowel, tools and components in accordance with the manufacturer's instructions. Use of any other tools for stated operation is considered contrary to designated use. The risk of such use lies entirely with the user. The manufacturer cannot be held liable for damages as a result of misuse.

J-36/M-30 Trowel Familiarization

This walk-behind trowel is designed for the **floating** and **finishing** of concrete slabs.

Take a walk around the trowel. Take notice of all the major components (see Figure 3) like the engine, blades, Quick Pitch™ handle, operator presence lever, etc. Check that there is always oil in the engine.

Read all the safety instructions carefully. Safety instructions will be found throughout this manual and on the trowel. Keep all safety information in good, readable condition. Operators should be well trained on the operation and maintenance of the trowel.

Before using your trowel, test it on a flat watered down section of finished concrete that is free of any debris and other objects.

This trial test run will increase your confidence in using the trowel and at the same time it will familiarize you with the trowel's controls. In addition you will understand how the trowel handles under actual conditions.

Engine

This trowel is available with a 5.5 or 9 HP **HONDA** gasoline engine, or a 6 or 9 HP **ROBIN** gasoline engine. Refer to the engine owner's manual for instructions regarding the operation and maintenance of your engine. Please contact your nearest Multiquip Dealer for a replacement should the original manual disappear or otherwise become unusable.

Drive System

Power is transferred from the engine to the gearbox input shaft via a V-belt pulley drive system. The pulley engages using a centrifugal clutch. See Parts section of this manual.

Gearbox

The **gearbox** is located beneath the engine and transfers power to the **spider** assembly. The gearbox controls the rotational speed of the trowel and is equipped with two shafts (input and output).

Spider

The vertical output shaft of the gearbox connects to a cast hub called the **spider**. The spider has 4 arms that extend outward that are used for attachment of blades or other accessories. Remember as the gearbox output shaft rotates so does the spider assembly.

Guard Ring

This unit is equipped with a safety guard ring. It is designed to help protect items from coming into contact with the rotating blades while in operation.

Blades

The blades of the trowel finish the concrete as they are rotated around the surface. This trowel comes equipped with four **combination** (8 in./203mm wide) **blades** per rotor equally spaced in a radial pattern and attached to vertical rotating shaft by means of a **spider assembly**.

Safety Stop Switch

In the event of a trowel runaway condition (operator releases the handlebars), the **centrifugal safety stop switch** will stop the engine and bring the trowel to a halt.

Operator Presence Lever (Optional Feature)

If equipped with the optional **operator presence lever**, in the event of a trowel runaway condition (operator releases the handle), the **operator presence lever** signals the **safety stop switch** which will stop the engine and bring the trowel to a halt.

CAUTION

NEVER attempt to **lift** the trowel by yourself. **ALWAYS** get the assistance of another person to help lift the trowel.

Training

For proper training, please use the "**TRAINING CHECKLIST**" located in the front of this manual (Page 8). This checklist will provide an outline for an experienced operator to provide training to a new operator.

J-36/M-30 TROWEL— CONTROLS AND COMPONENTS

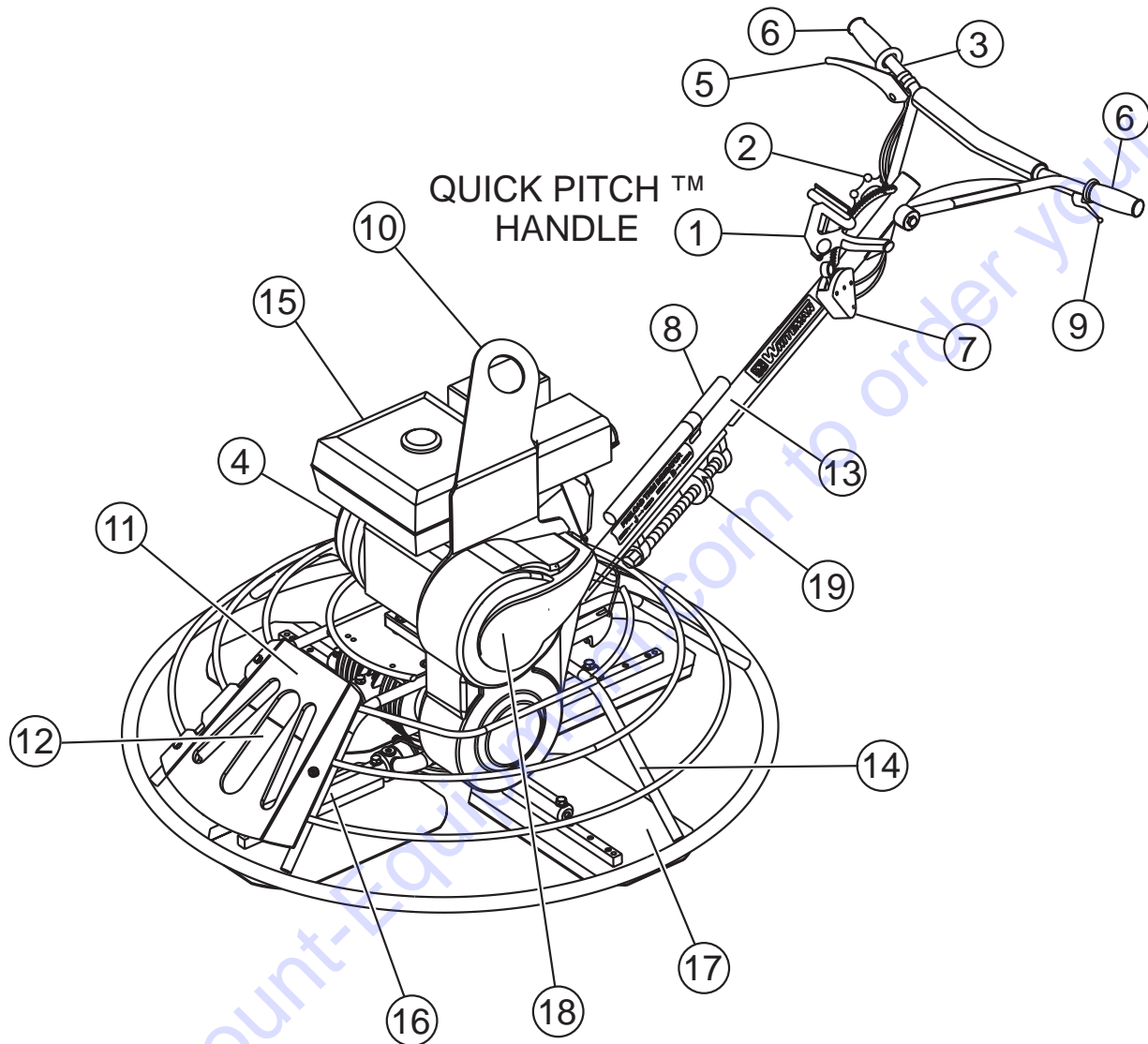


Figure 3. Controls And Components

J-36/M-30 TROWEL— CONTROLS AND COMPONENTS

Figure 3 shows the location of the basic controls or components, for the J-36/M-30 trowel. Listed below is a brief explanation of each control or component

1. **Quick Pitch™ Control Handle** – To adjust the pitch of the blades, grasp the handle then squeeze and either move the handle forward or backward to achieve the desired blade pitch.
2. **Handlebar Adjuster** – Change the angle/height of the handle bars by loosening star wheel, adjust handlebars to desired location, tighten starwheel firmly to hold handlebars in that position.
3. **Handle Bar** – When operating the trowel, place both hands on each grip to maneuver the trowel.
4. **Recoil Starter Housing** – Automatically spools the recoil starter rope when using to start the engine.
5. **Operator Presence Lever (Optional Feature)** – If equipped with the optional *operator presence lever*, in the event of a trowel runaway condition (operator releases the handle), the *operator presence lever* signals the *safety stop switch* which will stop the engine and bring the trowel to a halt.
6. **Hand Grip** – Replace hand grips when they become worn or damaged.
7. **Centrifugal "Kill" Switch** – In the event the operator loses control of the trowel, this switch will shut-down the engine.
8. **Auxiliary Lifting Tube** - Use this tube to lift the trowel onto a slab. Tube is to be inserted into socket located in front of the gearbox.
9. **Throttle Lever** – Controls engine speed. Returns engine to idle when released.
10. **Trowel Lifting Point** – Insert the auxiliary lifting tube here. See Figure 23.
11. **Access Door** – Hinged door allows access to the blade area.
12. **Lifting Tube Access Slot** – Insert the auxiliary lifting tube here.
13. **Main Tube** - When disassembling components inside the tube exercise extreme **CAUTION!** Tube is spring-loaded, severe injury could result if not disassembled correctly.
14. **Guard Ring- NEVER!** put hands or feet inside guard ring while the machine is running.
15. **Engine** – This trowel uses a Honda or a Robin gasoline engine.
16. **Trowel Arm** – **NEVER** operate the trowel with a bent, broken or out of adjustment trowel arm. If the blades show uneven wear patterns or some blades wear out faster than others, the trowel arm may need to be adjusted. Use the trowel arm adjustment tool P/N 1817 to adjust the trowel arms.
17. **Blades** – This trowel is equipped with combination blades. These blades are versatile and should take care of most troweling needs. In addition float discs can be attached to the trowel arms that will allow the trowel to float on "wet" concrete.
18. **V-Belt Cover** – Remove this cover to gain access to the V-belt. **NEVER** operate the trowel with this cover removed.
19. **Pre-Load Adjuster (Quick Pitch Handle)** – Handle Pre-Load can be adjusted to the specific trowel that the handle is affixed to. For the J-36 and M-30 Series, the adjustment screw should be set with the arrow aligned to the letter "J".

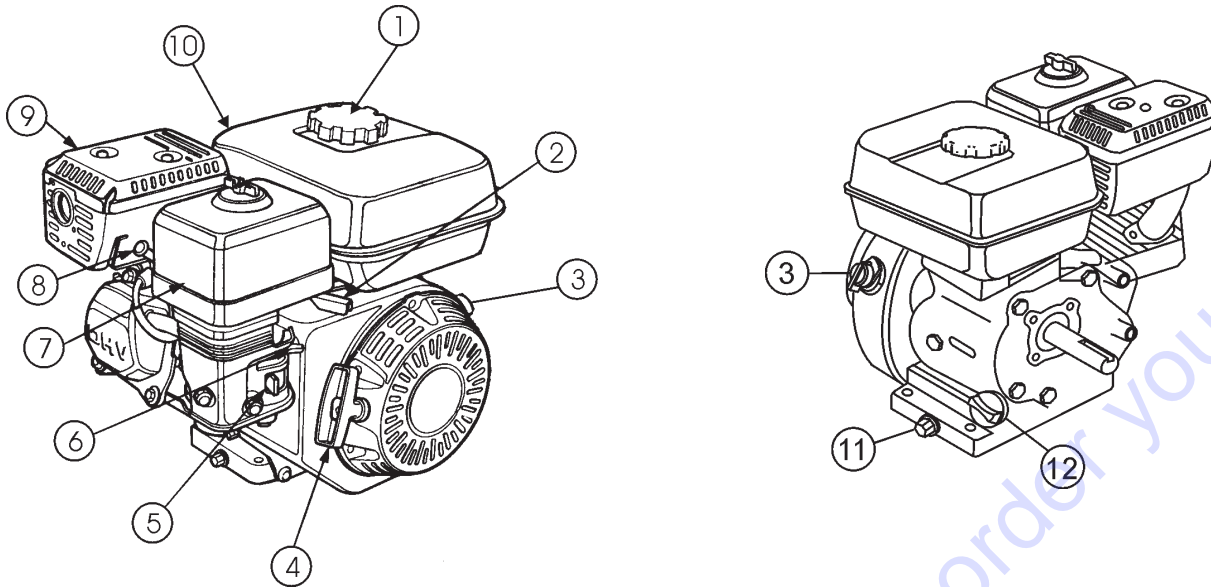



Figure 4. Engine Controls and Components

INITIAL SERVICING

The engine (Figure 4) must be checked for proper lubrication and filled with fuel prior to operation. Refer to the manufacturer's engine manual for instructions & details of operation and servicing. The engine shown above is a **HONDA** engine, operation for other types of engines may vary somewhat.

1. **Fuel Filler Cap** – Remove this cap to add unleaded gasoline to the fuel tank. Make sure cap is tightened securely. **DO NOT** over fill.

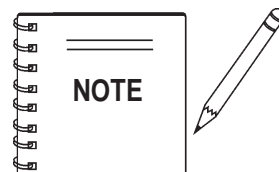
! DANGER



Adding fuel to the tank should be done only when the engine is stopped and has had an opportunity to cool down. In the event of a fuel spill, **DO NOT** attempt to start the engine until the fuel residue has been completely wiped up, and the area surrounding the engine is dry.

2. **Throttle Lever** – Used to adjust engine RPM speed (lever advanced forward **SLOW**, lever back toward operator **FAST**).
3. **Engine ON/OFF Switch** – **ON** position permits engine starting, **OFF** position stops engine operation.
4. **Recoil Starter (pull rope)** – Manual-starting method. Pull the starter grip until resistance is felt, then pull briskly and smoothly.

5. **Fuel Valve Lever** – **OPEN** to let fuel flow, **CLOSE** to stop the flow of fuel.
6. **Choke Lever** – Used in the starting of a cold engine, or in cold weather conditions. The choke enriches the fuel mixture.
7. **Air Cleaner** – Prevents dirt and other debris from entering the fuel system. Remove wing-nut on top of air filter cannister to gain access to filter element.



Operating the engine without an air filter, with a damaged air filter, or a filter in need of replacement will allow dirt to enter the engine, causing rapid engine wear.

8. **Spark Plug** – Provides spark to the ignition system. Set spark plug gap according to engine manufacturer's instructions. Clean spark plug once a week.
9. **Muffler** – Used to reduce noise and emissions.
10. **Fuel Tank** – Holds unleaded gasoline. For additional information refer to engine owner's manual.
11. **Oil Drain Plug** – Remove this plug to remove oil from the engine's crankcase.
12. **Dipstick/Oil Filler Cap** – Remove this cap to determine if the engine oil is low. Add oil through this filler port as recommended in Table 4.

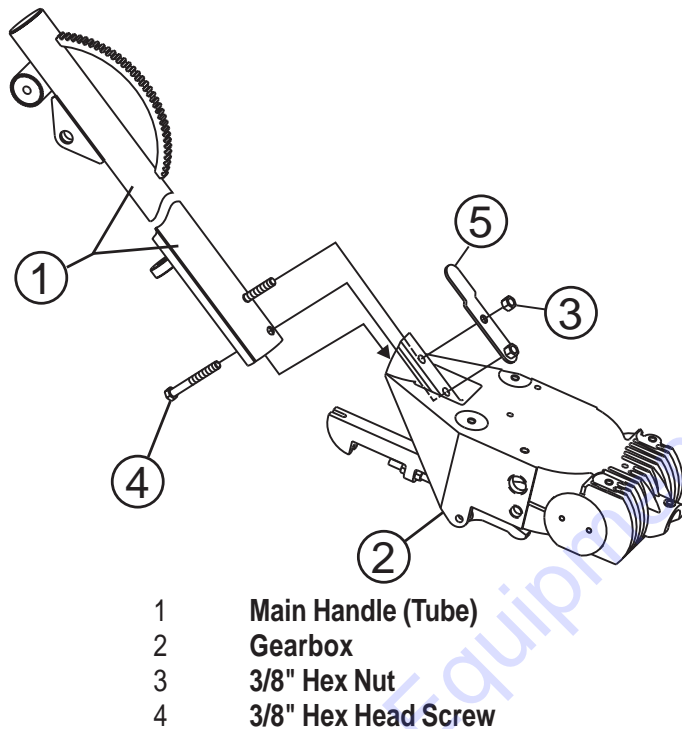
J-36/M-30 TROWEL — ASSEMBLY AND INSTALLATION

Assembly and Installation

Before the trowel can be put into operation there are some components that must be installed before the trowel can be used. This section provided general instructions on how to install those components. Instruction sheet P/N 20485 provides further details for the handle assembly.

Handle Tube Installation (All Models)

1. Install the **handle tube** to the gearbox as shown in (Figure 5). The mounting hardware should be contained in the shipping container.



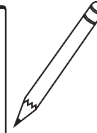
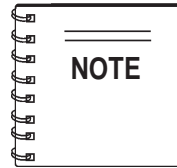
- 1 Main Handle (Tube)
- 2 Gearbox
- 3 3/8" Hex Nut
- 4 3/8" Hex Head Screw

Figure 5. Handle Tube Installation

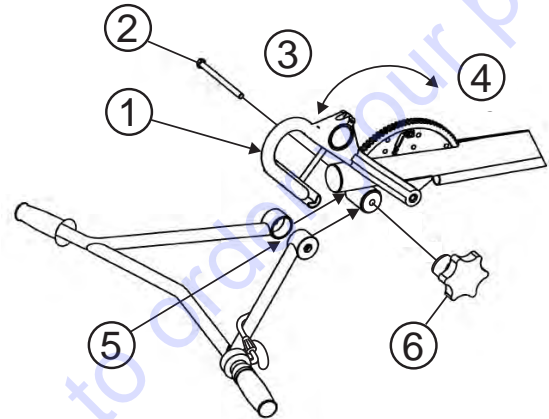
2. Pivot the **T-handle** back (full pitch) (Figure 6). This will relax the spring inside the handle tube. Spread the handle bar ends just enough to engage the teeth on the handle tube. Attach the hand wheel assembly, position handlebar to desired location, and tighten hand wheel firmly.

CAUTION

The Quick-Pitch™ handle is spring loaded, personal injury or damage could result from improper handling or installation. Be careful when installing this component.



Considerable force may be required when moving the Quick-Pitch™ **T-handle** forward or backward.



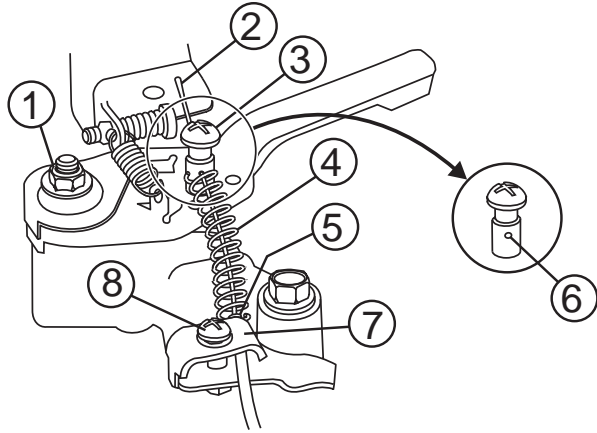
- 1 Pivot Pitch Handle (Pivot back to relieve spring tension)
- 2 Hex Screw (3/8 - 16 x 5)
- 3 Full Pitch
- 4 No Pitch
- 5 Spread Slightly to Install Hand Wheel
- 6 Hand Wheel

Figure 6. Handlebar Installation

Throttle Cable Installation

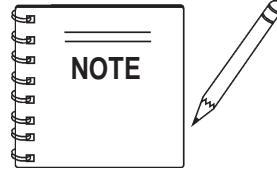
1. Uncoil the throttle cable and housing.
2. Feed the throttle cable through the cable housing.
3. Connect the throttle cable to the engine. (Figure 7), **HONDA** and (Figure 8), **ROBIN**. There should be a piece of wire installed on the trowel to show where to route the throttle cable. Route cable end (item 2) through the spring (item 4) and swivel stop (item 6). When connecting the cable housing, make sure that no more than **1/4" (6.4mm)** of the cable housing (item 5) protrudes past the housing clamp (item 7) on the engine.

J-36/M-30 TROWEL — ASSEMBLY AND INSTALLATION



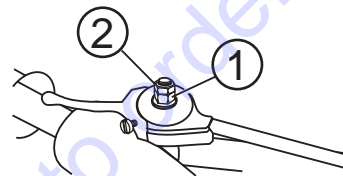
- 1 Adjuster Nut
- 2 Cable End
- 3 Swivel Stop
- 4 Idle Return Spring
- 5 Cable Housing (End)
- 6 Swivel Stop Hole
- 7 Cable Housing Clamp
- 8 Clamp Screw

Figure 7. Throttle Cable Connection (HONDA)



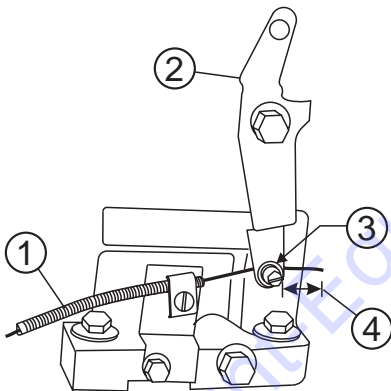
If the throttle lever does not return to the "neutral" position with throttle backed off, loosen adjuster nut (item 1) 1/2 turn at a time, tighten and recheck. Readjust throttle tension as necessary.

- 7. These are general instructions. Installation of the throttle cable may vary for different engine configurations. Please look for more detailed instructions inside the box containing the handle. These more detailed instructions should provide adequate guidance for installing.



- 1 Adjusting Nut
- 2 Locking Nut

Figure 9. Safety Wire Connection



- 1 Throttle Cable
- 2 Engine Throttle Lever
- 3 Place Throttle Cable Here
- 4 1/4" (6.4mm) Deflection

Figure 8. Throttle Cable Connection (ROBIN)

- 4. Tighten cable clamp screw (item 8) and swivel stop screw (item 3).
- 5. After the cable has been installed on the engine, adjust and tighten operator position of the handle to lock the throttle cable at the proper length.
- 6. Adjust cable tension. Loosen the lock nut on the throttle cable receiver (Figure 9) and loosen or tighten the nut below it. Retighten the lock nut.

Handle Height Adjustment

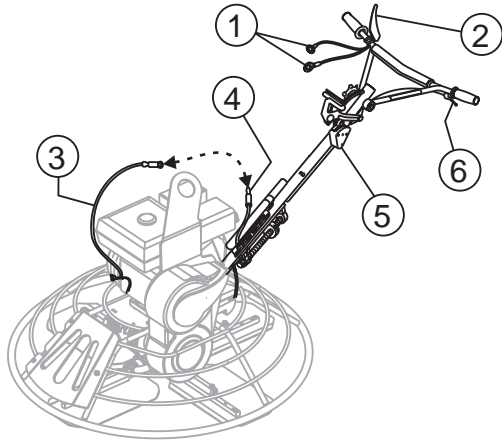
If handle height adjustment is desired, a handle wedge kit can be purchased for your trowel by ordering P/N 2576 from your Multiquip dealer. These wedges are placed between the handle and the gearbox to adjust the operating height of the handle. This kit comes complete with wedges, new bolts and installation instructions. This will move your operating handle position up or down approximately 3" (76mm).

Operator Presence Switch Installation (Optional)

Your adjustable handle utilizes an "Operator Presence Switch" that shuts the engine down once the Operator Presence Lever is released. To install the lever, switch, and associated wiring, perform the following procedures:

- 1. Ensure the handle tube is properly installed onto the gearbox, handlebars onto the handle tube, and throttle cable installed according to the instruction sheet provided with the handle.
- 2. Connect the Safety Stop Wire from the Safety Stop Switch to the tail wire on the engine. (Figure 10)

J-36/M-30 TROWEL — ASSEMBLY AND INSTALLATION



- 1 Operator Presence Wiring (Option)
- 2 Operator Presence Lever (Option)
(Temporary Positioning for Shipping)
- 3 Tail Wire From Engine
- 4 Safety Stop Wire From Switch
- 5 Safety Stop Switch
- 6 Throttle Lever

Figure 10. Safety Wire Connection

3. Install the ground wire to the engine, (Honda engine shown, Figure 11).

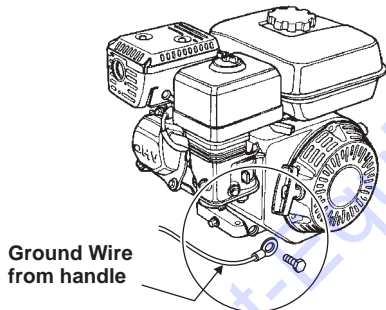


Figure 11. Ground Wire Connection

4. If so equipped, re-position the Operator Presence Lever on the handlebars, (Figure 12).

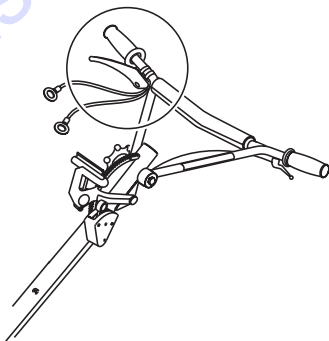


Figure 12. Repositioning the Lever

5. Remove one 7mm nut from each of the terminals on the Safety Stop Switch. (Leave the existing two wires to the switch connected.) (Figure 13).

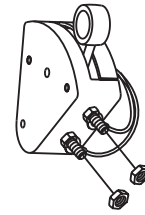


Figure 13. Safety Stop Switch Connection

6. Connect the two wires from the Operator Presence Lever to the Safety Stop Switch terminal lugs. (one per lug; either position). Re-install and tighten the nuts. (Figure 14).

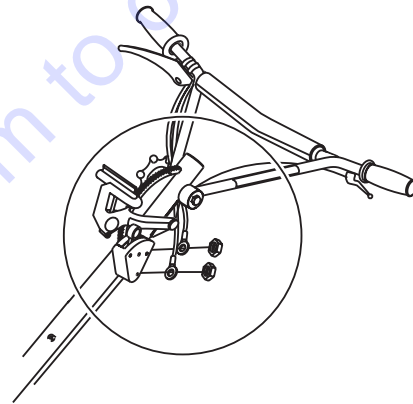


Figure 14. Wiring Connection

Pitch Cable Installation

1. Expose the pitch cable to maximum by adjusting the handle pitch to the "no pitch" position. Pivot the pitch handle forward or no pitch, (Figure 15).

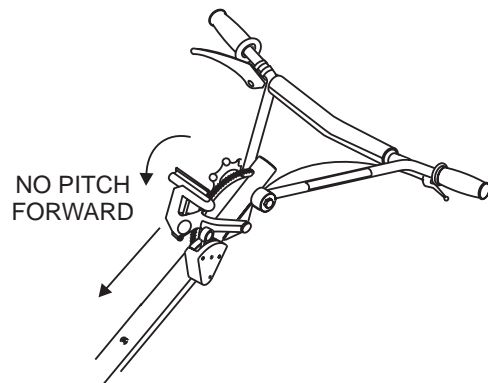
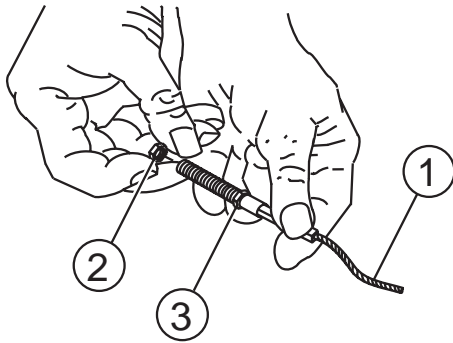


Figure 15. "No Pitch" Position

J-36/M-30 TROWEL — ASSEMBLY AND INSTALLATION

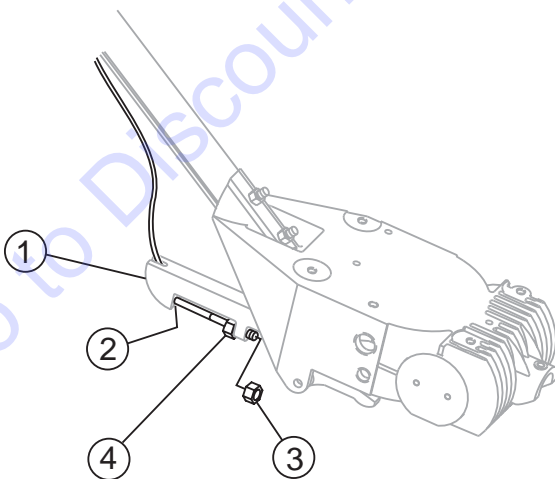
2. Lock the spring in the compressed position, by releasing the blade pitch adjustment trigger.
3. Remove one brass set nut from the blade pitch cable end as shown in (Figure 16).
4. Thread the second brass set nut towards the cable as far as possible.



- 1 Blade Pitch Cable
- 2 Remove First Brass "Set" Nut
- 3 Thread Second Brass "Set" Nut to End of Cable

Figure 16. Blade Pitch Cable

5. Insert the cable end through the yoke eyelet (Figure 17). Tighten the first brass set nut by hand to remove all the slack from the cable.
6. Using a wrench, tighten the second brass set nut up against the yoke boss. This will lock the cable in place.
7. Use a wrench and finish tightening the first brass set nut up against the yoke boss.

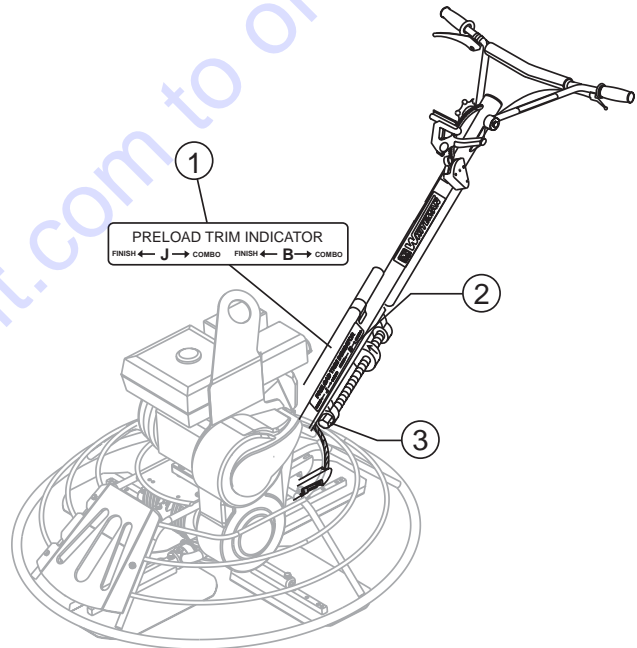


- 1 Yoke
- 2 Thread Cable End Through Yoke Eyelet
- 3 Use a Wrench to Tighten First Brass Set Nut Against Yoke Boss
- 4 Tighten Second Brass Set Nut Against Yoke Boss

Figure 17. Cable Yoke Attachment

Pre-load Adjustment

1. After the Quick-Pitch™ handle has been installed on the trowel, spring pre-load adjustment will be required.
2. Locate the adjustment screw on the underside of the handle tube (Figure 18).



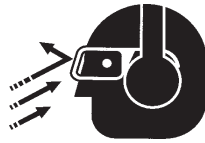
- 1 Alignment Decal
- 2 Align This Arrow With The Letter "J" Combo On Decal
- 3 Adjustment Screw

Figure 18. Pre-load Adjustment

3. A **decal** has been placed on the side of the handle tube to assist the user in the adjustment of the spring.
4. Align the **arrow** on the adjustment screw with the letter "**J**" **COMBO** on the **decal**. The letter "**J**" stands for J-36/M-30 Walk-Behind trowel.
5. Test the pitch control operation and adjust if necessary.

CAUTION

ALWAYS wear approved eye and hearing protection before operating the trowel.



NEVER place hands or feet inside the guard rings while the engine is running. **ALWAYS** shut the engine down before performing any kind of maintenance service on the trowel.

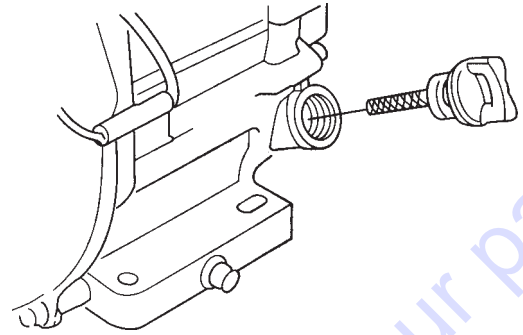
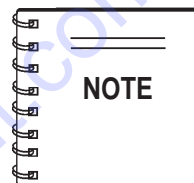


Figure 19. Engine Oil Dipstick (Removal)

3. Insert and remove the dipstick without screwing it into the filler neck. Check the oil level shown on the dipstick.
4. If the oil level is low (Figure 20), fill to the edge of the oil filler hole with the recommended oil type (Table 4).

Before Starting

1. Read safety instructions at the beginning of manual.
2. Clean the trowel, removing dirt and dust, particularly the engine cooling air inlet, carburetor and air cleaner.
3. Check the air filter for dirt and dust. If air filter is dirty, replace air filter with a new one as required.
4. Check carburetor for external dirt and dust. Clean with dry compressed air.
5. Check fastening nuts and bolts for tightness.



Reference manufacturer engine manual for specific servicing instructions.

Engine Oil Check

1. To check the engine oil level, place the trowel on secure level ground with the engine stopped.
2. Remove the filler dipstick from the engine oil filler hole (Figure 19) and wipe clean.

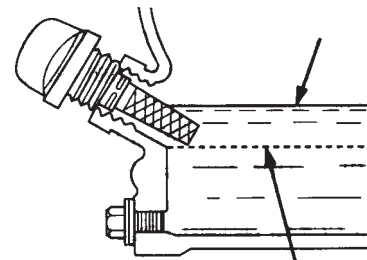


Figure 20. Engine Oil Dipstick (Oil Level)

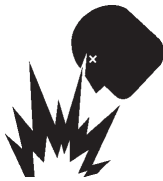
Table 4. Oil Type

Season	Temperature	Oil Type
Summer	25°C or Higher	SAE 10W-30
Spring/Fall	25°C~10°C	SAE 10W-30/20
Winter	0°C or Lower	SAE 10W-10

! DANGER

EXPLOSIVE FUEL!

Motor fuels are highly flammable and can be dangerous if mishandled. **DO NOT** smoke while refueling. **DO NOT** attempt to refuel the trowel if the engine is **hot!** or **running**.

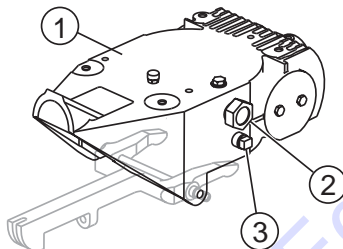


Fuel Check

1. Remove the gasoline cap located on top of fuel tank.
2. Visually inspect to see if fuel level is low. If fuel is low, replenish with unleaded fuel.
3. When refueling, be sure to use a strainer for filtration. **DO NOT** top-off fuel. Wipe up any spilled fuel.

Gearbox Oil

1. Determine if the **gearbox** oil is low by removing the oil plug located on the side of the gearbox. (Figure 21) This plug will be marked by the "**check**" decal. The correct level of the lubrication oil should be to the bottom of the fill plug.



- 1 **Gear Box**
- 2 **Oil Sight/Fill Plug**
- 3 **Drain Plug**

Figure 21. Gearbox

2. If lubrication oil begins to seep out as the drain plug is being removed, then it can be assumed that the gearbox has a sufficient amount of oil.
3. If lubrication oil does not seep out as the drain plug is being removed, fill with type ISO 680 (Whitman P/N 10139) gearbox lubricant oil until the oil filler hole overflows.

! CAUTION

Disconnect the spark plug wire from the spark plug and secure away from the engine before performing maintenance or adjustments on the machine.

V-Belt Check

A worn or damaged V-belt can adversely affect the performance of the trowel. If a V-belt is defective or worn simply replace the V-belt as outlined in the maintenance section of this manual.

Belt Guard Check

Check for damage, loose or missing hardware.

Blade Check

Check for worn or damaged blades. Check to see if one blade is worn out while the others look new. If this is the case there could be a blade pitch problem. Refer to the maintenance section of this manual for blade pitch adjustment procedure. Replace any worn blades.

CONTROLS

Safety-Stop "Kill" Switches

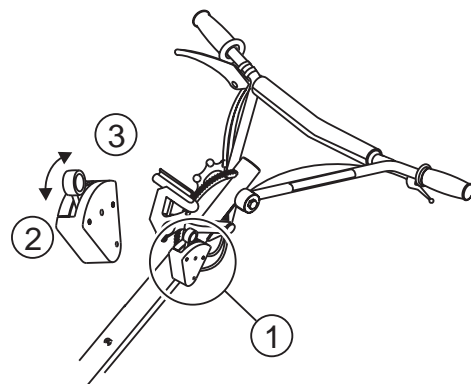
This trowel has been equipped with a safety "kill" switch. This switch should be tested every time the engine is started.

! WARNING

NEVER disable or disconnect the safety "kill" switch. It is provided for operator safety. Injury may result if it is disabled, disconnected or improperly maintained.

Centrifugal Type "Kill" Switch

(Figure 22) The switching mechanism of this switch should operate freely and should **always** be kept in this condition. With the switch in the **OFF** position, the engine should not start or run. The purpose of this switch is to stop the engine in a runaway situation, (i.e. the operator releasing the handle during operation).



- 1 **"Kill" Switch (Safety Stop)**
- 2 **"ON" Position**
- 3 **"OFF" Position**

Figure 22. Centrifugal "Kill" Switch

CAUTION

This section is intended to assist the operator with the initial start-up of the walk-behind trowel. It is extremely important that this section be read carefully before attempting to use the trowel in the field.

DO NOT use your trowel until this section is thoroughly understood.

DO NOT attempt to operate the trowel until the Safety, General Information and Inspection sections of this manual have been read and thoroughly understood. Depending on engine manufacturer, operating steps may vary. See engine manufacturer's operating manual. The following start-up procedure makes reference to a **HONDA Engine (Manual Start)**.

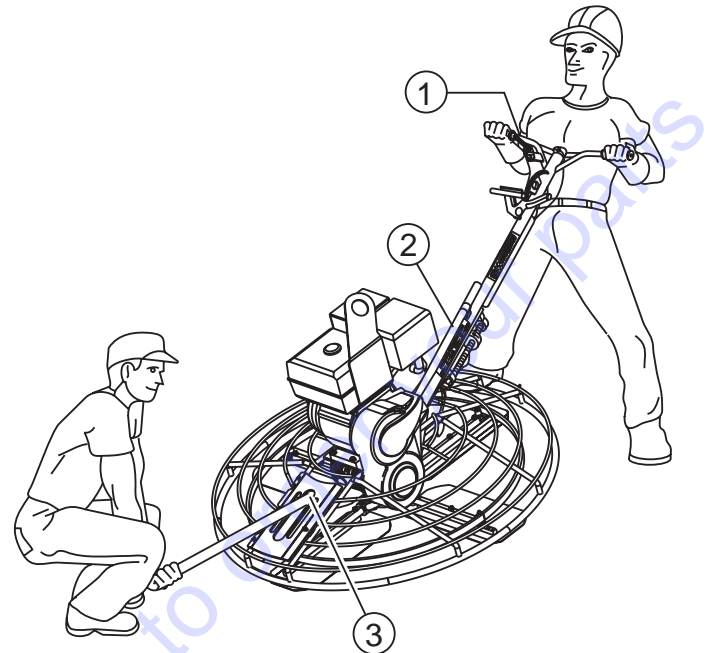


Figure 23. Lifting the Trowel

Lifting the Trowel Onto a Slab

Extra care should be taken when lifting the trowel off the ground. Serious damage to the machine or personal injury could be caused by dropping a trowel.

CAUTION

The trowel is **heavy** and **awkward** to move around. Use proper heavy lifting procedures and **DO NOT lift the trowel by the guard rings**.

Auxiliary Lifting Tube

Remove the auxiliary lifting tube located on top of the main handle. Insert the tube into the socket located on the opposite side of the gearbox (Figure 23) from the handle.

Make sure that the hole in the tube engages with the pin in the socket. With one person lifting from the main handle, and another lifting from the auxiliary lifting tube pick up the machine to move onto a slab.

CAUTION

The trowel must be stabilized by the person carrying the **operator's handle** (Figure 23). If it is not stabilized properly the handle may swing around and **flip** the trowel, thus causing damage to the trowel and bodily injury.

Lifting Bale

The lift bale (Item 10, page 17), provides an optimal lift point for moving the trowel. **Lift bales** or **forklift** can be used to lift a trowel up onto a building with a crane.

Using a **crane** to move a machine with a lift bale is highly recommended, and is perfectly safe for the machine. Extra care should be taken when lifting the machine off the ground, however. Serious damage to the machine or personal injury could be caused by dropping a trowel.

J-36/M-30 TROWEL — INITIAL START-UP

Starting the Engine (HONDA engine)

1. Place the engine **fuel valve lever** (Figure 24) to the "ON" position.

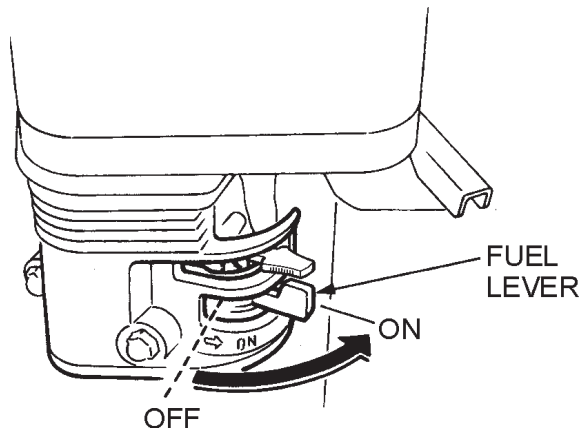


Figure 24. Engine Fuel Valve Lever

3. Place the **centrifugal "kill" switch** (Figure 25) in the "ON" position. For models that use this feature.

CAUTION

NEVER disable or disconnect the centrifugal kill switch. It is provided for the operators' safety and injury may result if it is disabled, disconnected or improperly maintained.

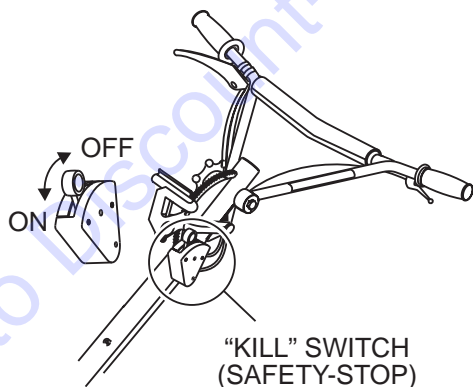


Figure 25. Centrifugal "Kill" Switch

4. Place the **Choke Lever** (Figure 26) in the "OPEN" position

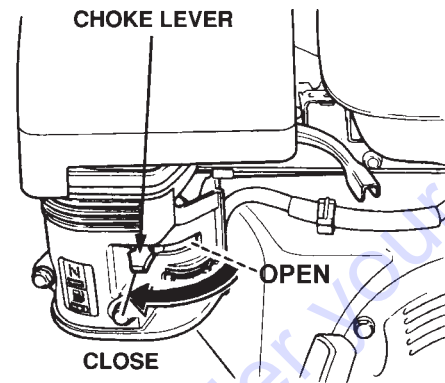


Figure 26. Engine Choke Lever

5. Grasp the starter grip (Figure 27) and slowly pull it out. The resistance becomes the hardest at a certain position, corresponding to the compression point. Pull the starter grip briskly and smoothly for starting.

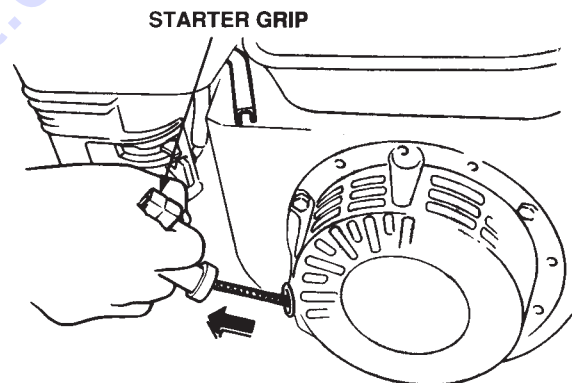


Figure 27. Starter Grip

6. If the engine has started, slowly return the choke lever (Figure 26) to the **CLOSED** position. If the engine has not started repeat steps 1 through 5.
7. Before the trowel is placed into operation, run the engine for several minutes. Check for fuel leaks, and noises that would associate with a loose guard ring and/or covers.

- To begin troweling, while holding onto the handlebar grips, grasp and pull in the Operator Presence Lever if so equipped. (Figure 28).

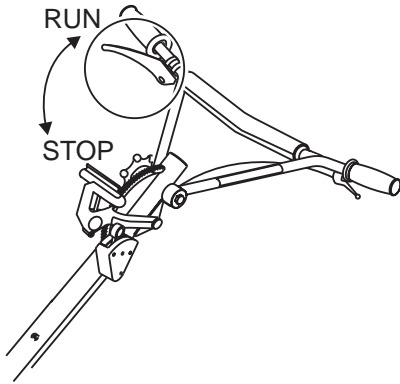


Figure 28. Operator Presence Lever (Run Position)
(Optional Feature)

The following steps are intended as a basic guide to machine operation, and are not to be considered a complete guide to concrete finishing. We suggest that all operators (experienced and novice) read "*Slabs on Grade*" published by the **American Concrete Institute, Detroit, Michigan**. Read the "Training" section of this manual for more information.

Pitching The Blades

Quick Pitch Handle

- To pitch the blades upwards using the "**Quick-Pitch™ T-handle**", (Figure 29) simply squeeze the trigger lock and pull the **T-handle** towards the operator. Pushing the **T-handle** towards the engine will cause the blades to lay flat.

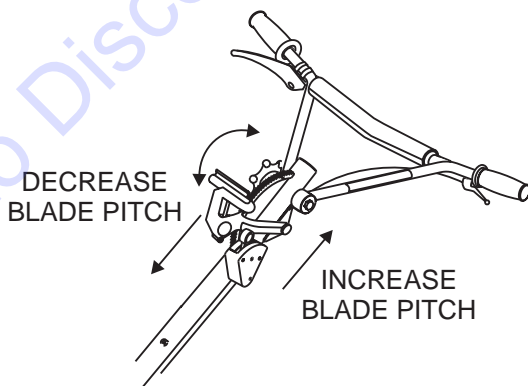


Figure 29. Quick-Pitch™ T-Handle

Maneuvering the Trowel

- Get into the operator's position behind the handle. With a secure foothold and a firm grasp on the handles slowly increase the engine speed until the desired blade speed is obtained.
- To maneuver the trowel, gently lift up on or press down on the main trowel handle. To move the machine to the operator's left, **lift up** on the handle, to move machine to the right, **push down** on the handle.
- The best method for finishing concrete is to slowly walk backwards (Figure 31) with the trowel, guiding the trowel from side to side. This will cover all footprints on wet concrete.
- Remember that if you let go of the trowel, just step away and let the trowel come to a complete stop before trying to recover the trowel.

Stopping The Engine

- Move the throttle lever to the **IDLE** or **SLOW** position and run the engine for three minutes at low speed.
- After the engine **cools**, turn the engine start/stop switch to the "**OFF**" position (Figure 30).

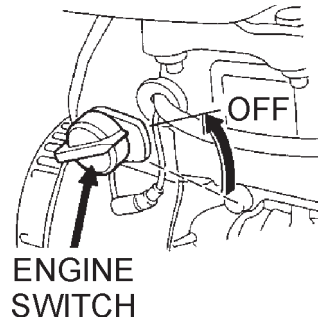


Figure 30. Engine ON/OFF Switch (OFF Position)

- Close the **fuel shut-off valve** (Figure 31) by moving the fuel valve lever to the **OFF** position.

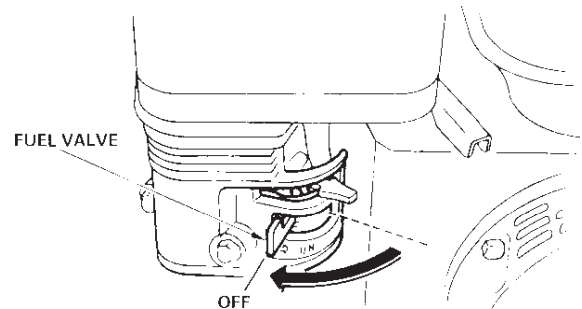


Figure 31. Fuel Valve Lever (OFF Position)

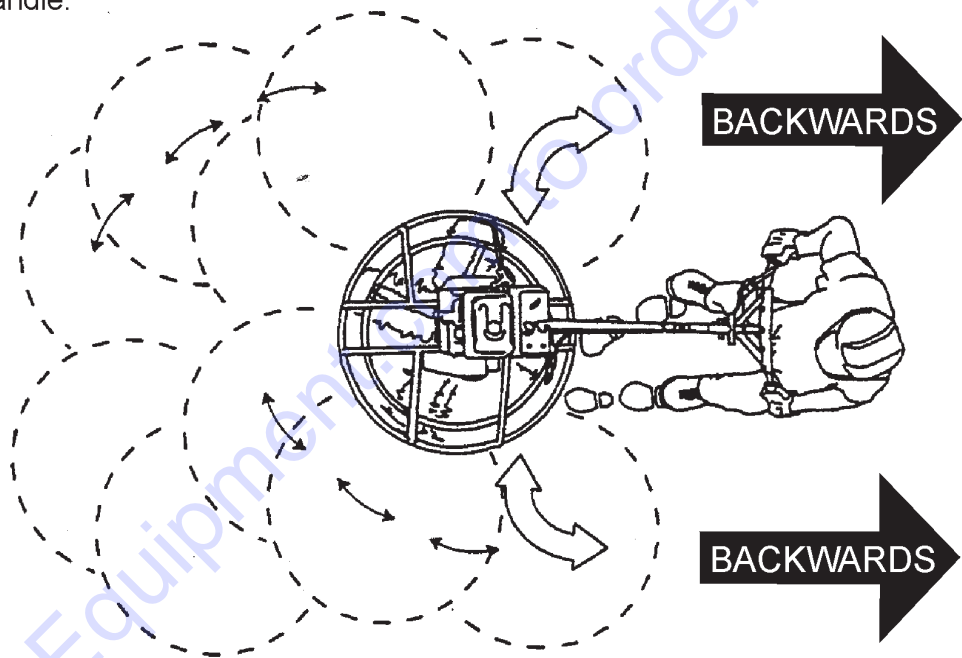
J-36/M-30 TROWEL — OPERATION

Figure 32 below illustrates a typical walk-behind trowel application. Practice maneuvering the trowel. The trick is to let the trowel do the work.

Continue to practice maneuvering the trowel. Try to practice as if you were finishing a slab of concrete. Practice edging and covering a large area. Remember a good finishing technique is to work backwards. Be careful when moving backwards so that hazards can be avoided. The best way to get accustomed to the trowel is repeated use.

To move the trowel to the operator's left, **lift up** on the handle, to move the trowel to the right **push down** on the handle.

Remember! that if you let go of the trowel, just **step away** and let the trowel come to a complete **STOP** before trying to recover the trowel.



The best method for finishing concrete is to slowly walk **backwards** with the trowel, guiding the trowel from side to side. This will cover all footprints on wet concrete.

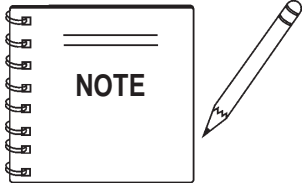
Figure 32. Maneuvering The Trowel

CAUTION

NEVER place your **feet** or **hands** inside the guard rings while starting or operating this equipment.

CAUTION

ALWAYS keep clear of **rotating** or **moving** parts while operating this equipment.



Blades should be changed when they fail to finish concrete in a satisfactory manner.

Blades are a vital part of finishing concrete. This trowel, or **finisher**, has been designed to finish concrete and the blades are built to stringent quality standards out of the finest trowel steel. If you need replacement blades, consult your parts list in this manual for part numbers and order them from your Multiquip parts dealer or importer.

Combo Blades

This trowel was equipped with combination **float/finish** (Figure 33) blades as original equipment. These blades have been designed for optimum performance in both the floating and finishing operations. These blades are versatile and should take care of most troweling needs.

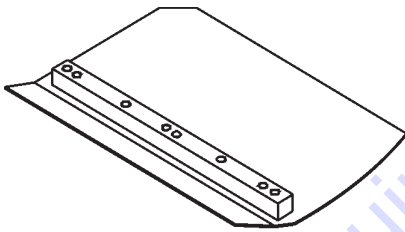


Figure 33. Combination Blade

Finish Blades (Optional)

These blades (Figure 34) have been specifically designed for finish operations with this trowel. They will provide a premium surface finishing capability from your trowel. They should only be used after the concrete has set to the point where the trowel does not sink into the concrete when placed on it.

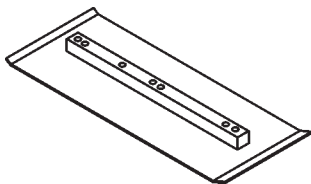


Figure 34. Finish Blade

Clip-On Float Blades (Optional)

These blades will clip (Figure 35) onto an existing installed blade, allowing your finisher to float on “wet” concrete so that the troweling operation can begin as early as possible. They are easily removable, so that after the floating operation, when the concrete is sufficiently cured, they can be removed to expose the finish blades for continued troweling.

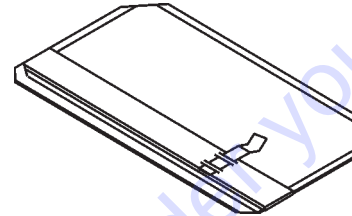


Figure 35. Clip-On Float Blade

Float Discs (Optional)

These round discs (Figure 36) attach to the spiders and allow the machine to “float” on “wet” concrete. The disc design allows early floating and easy movement from wet to dry areas. They are also very effective in embedding large aggregates and surface hardeners.

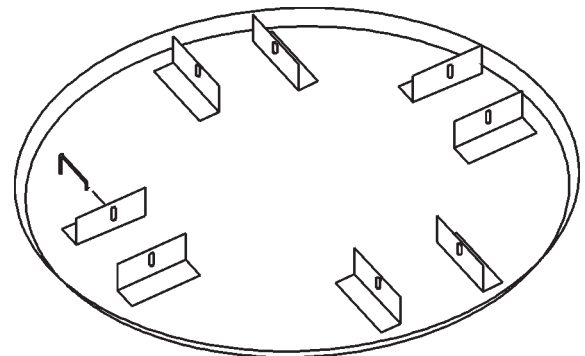


Figure 36. Float Disc



Trowel Arm Adjustment Tool

If blades show uneven wear patterns or some tend to wear out faster than others, the trowel arms may need to be adjusted. A special tool is available (Figure 37) that will adjust all of the trowel arms consistently. The Trowel Arm Fixture P/N is 1817.

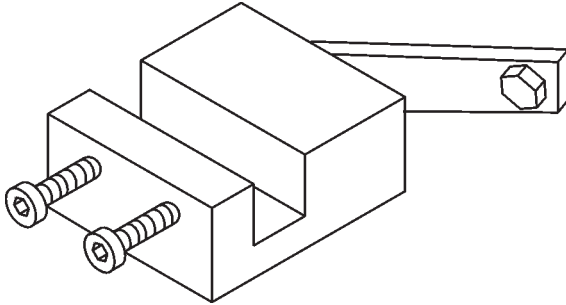
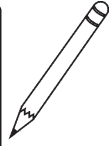
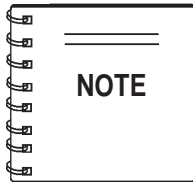


Figure 37. Trowel Arm Adjustment Fixture

Go to Discount-Equipment.com to order your parts




See the engine manual supplied with your machine for appropriate engine maintenance schedule and troubleshooting guide for problems.

At the front of the book (Page 9) there is a “**Daily Pre-Operation Checklist**”. Make copies of this checklist and use it on a daily basis.

CAUTION

ALWAYS allow the engine to cool before servicing. **NEVER** attempt any maintenance work on a **hot!** engine.



CAUTION

Disconnect the spark plug wire from the spark plug and secure away from the engine before performing maintenance or adjustments on the machine.

MAINTENANCE SCHEDULE

Daily (8-10 Hours)

1. Check the oil level in the engine crankcase and gear box, fill as necessary.
2. Check V-belt.

Weekly (50-60 Hours)

1. Relube arms, thrust collar and clutch.
2. Replace blades if necessary.
3. Check and clean or replace the engine air filter as necessary.
4. Replace engine oil and filter as necessary, see engine manual.

Monthly (200-300 Hours)

1. Remove, clean, reinstall and relube the arms and thrust collar. Adjust the blade arms.
2. Remove, clean, reinstall clutch.

Yearly (2000-2500 Hours)

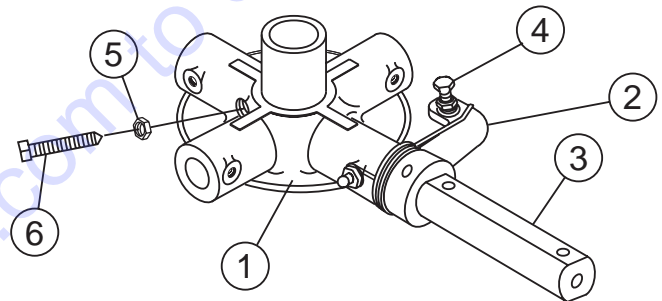
1. Check and replace if necessary the arm bushings, thrust collar bushings and shaft seals.
2. Check pitch control cables for wear.
3. Adjust blade speed.

Blade Pitch Adjustment Procedure

Maintenance adjustment of blade pitch is made by adjusting a bolt (Figure 38) on the arm of the trowel blade finger. This bolt is the contact point of the trowel arm to the lower wear plate on the thrust collar. The goal of adjustment is to promote consistent blade pitch and finishing quality.

Look for the following indications if blades are wearing unevenly. If so, adjustment may be necessary.

- If one blade is completely worn out while the others look new?
- Does the machine have a perceptible rolling or bouncing motion when in use?
- Look at the machine while it is running, do the guard rings “rock up and down” relative to the ground?
- Do the pitch control towers rock back and forth?



- 1 Spider Plate
- 2 Trowel Lever (Finger)
- 3 Trowel Arm
- 4 Blade Pitch Adjustment Bolt
- 5 Jam Nut
- 6 Cone head set screw

Figure 38. Blade Pitch Adjustment Bolt

The easiest and most consistent way to make adjustments on the trowel arm fingers is to use the Trowel Arm Adjustment Fixture (P/N 9177) . It comes with all the hardware necessary to properly accomplish this maintenance and instructions on how to utilize this tool.

If a trowel arm adjustment fixture is not available and immediate adjustment is necessary, temporary field adjustment can be made if you can see or feel which blade is pulling harder by adjusting the bolt that corresponds to that blade.

A better way to determine which blades need adjustment is to place the machine on a known **FLAT** surface (steel metal plate) and pitch the blades as flat as possible. Look at the adjustment bolts. They should all barely make contact with the lower wear plate on the spider. If you can see that one of them is not making contact, some adjustment will be necessary.

J-36/M-30 TROWEL — MAINTENANCE

Adjust the "high" bolts down to the level of the one that is not touching, or adjust the "low" bolt up to the level of the higher ones. If possible, adjust the low bolt up to the level of the rest of the bolts. This is the fastest way, but may not always work. Verify after adjustment the blades pitch correctly.

Blades that are incorrectly adjusted often will not be able to pitch flat. This can occur if the adjusting bolts are raised too high. Conversely, adjusting bolts that are too low will not allow the blades to be pitched high enough for finishing operations.

If, after making Blade Pitch adjustments the machine is still finishing poorly, blades, trowel arms, and trowel arm bushings may be suspect and should be looked at for adjustment, wear, or damage. See the following sections.

Changing Blades

It is recommended that **ALL** the blades on the entire machine are changed at the same time. If only one or some of the blades are changed, the machine will not finish concrete consistently and the machine may wobble or bounce.

1. Place the machine on a flat, level surface. Adjust the blade pitch control to make the blades as flat as possible. Note the blade orientation on the trowel arm. This is important for ride-on trowels as the two sets of blades counter-rotate. Lift the machine up, placing blocks under the main guard ring to support it.
2. Remove the bolts and lock washers on the trowel arm, and then remove the blade.
3. Scrape all concrete and debris from the trowel arm. This is important to properly seat the new blade.
4. Install the new blade, maintaining the proper orientation for direction of rotation.
5. Reinstall the bolts and lock washers.
6. Repeat steps 2-5 for all remaining blades.

Clean-Up

Never allow concrete to harden on the power trowel. Immediately after use wash any concrete off the trowel with water, be careful not to spray a hot engine or muffler. An old paint brush or broom may help loosen any concrete that has started to harden.

Trowel Arm Adjustment

Use the following procedure to check and adjust trowel arms, and check for worn or damaged components when it becomes apparent that the trowel is finishing poorly or in need of routine maintenance.

Look for the following indications. Trowel arm alignment, worn spider bushings or bent trowel arms may be the cause.

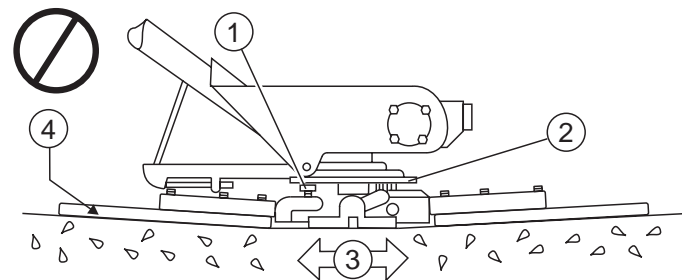
- Are blades wearing unevenly? Is one blade completely worn out while the others look new?
- Does the machine have a perceptible rolling or bouncing motion when in use?
- Look at the machine while it is running; do the guard rings "rock up and down" relative to the ground?

1. Place the trowel in a **FLAT, LEVEL** area.

A **level**, clean area to test the trowel prior to and after is essential. Any unlevel **spots** in the floor or debris under the trowel blades will give an incorrect perception of adjustment. Ideally, a 5 x 5 Ft. (1.5 x 1.5 Meter) three-quarter inch (19 mm) thick **FLAT** steel plate should be used for testing.

2. Pitch the blades as flat as possible. The **adjustment bolts** should all barely make contact with the **lower wear plate** on the spider. If one is not making contact, adjustment will be necessary. (Item 1, Figure 39).

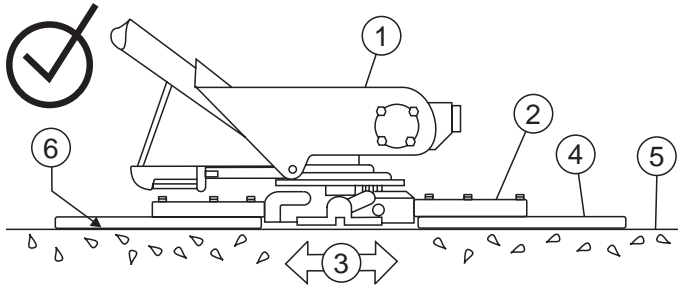
Figure 39 illustrates, "**incorrect alignment**", **worn spider bushings or bent trowel arms**. Check that the adjustment bolt is barely touching (0.10" max. clearance) lower wear plate. All alignment bolts should be spaced the same distance from the lower wear plate.



- 1 **Adjustment Bolt**
- 2 **Lower Wear Plate**
- 3 **Surface**
- 4 **"Dished" Effect on Finished Concrete**

Figure 39. Incorrect Spider Plate Alignment

Figure 40 illustrates the "**correct alignment**" for a spider plate (as shipped from the factory).



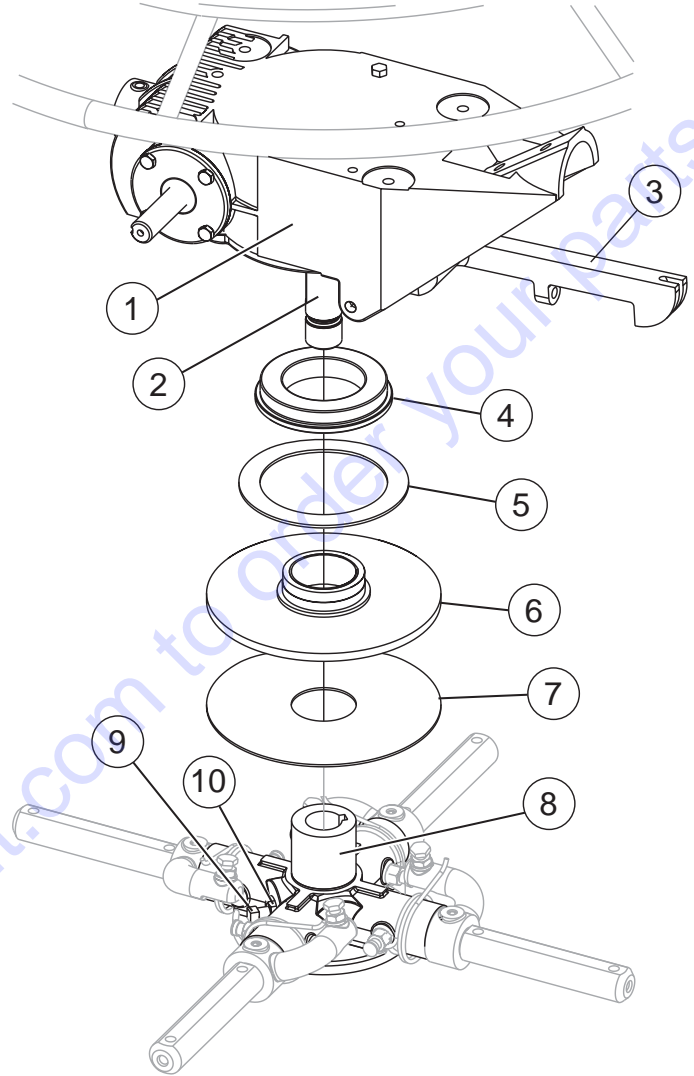
- | | | | |
|---|-------------------|---|--------------------------|
| 1 | Gearbox | 4 | Mounting Bar |
| 2 | Trowel Arm | 5 | Blade |
| 3 | Surface | 6 | Correct Alignment |

Figure 40. Correct Spider Plate Alignment

Spider Removal

Remove the spider assembly from the gearbox shaft as follows:

1. Locate the cone point square head set screw (Figure 41) and attached jam nut found on the side of the spider assembly.
2. Loosen the jam nut and cone point square head set screw.
3. Carefully lift the **upper trowel assembly** off of the spider assembly. A slight tap with a rubber mallet may be necessary to dislodge the spider from the main shaft of the gearbox.



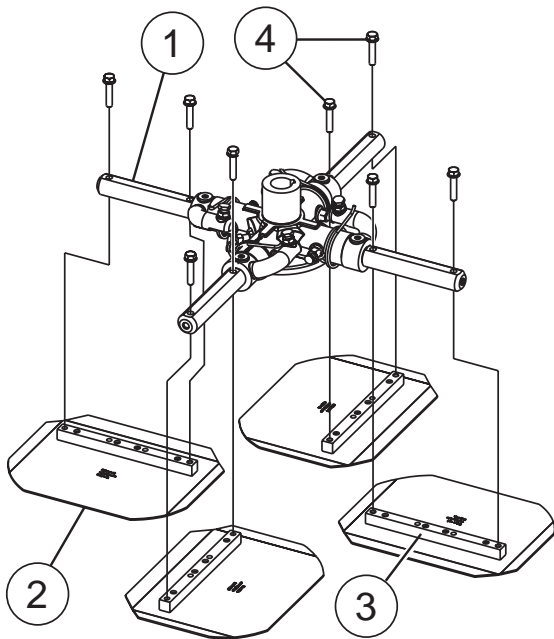
- | | |
|----|---|
| 1 | Gearbox |
| 2 | Gearbox Shaft |
| 3 | Yoke Arm |
| 4 | Thrust Collar Bearing |
| 5 | Wear Ring |
| 6 | Thrust Collar w/Bushing |
| 7 | Lower Wear Plate |
| 8 | Spider Plate |
| 9 | Set Screw, (Cone Point, Square Head) |
| 10 | Jam Nut |

Figure 41. Spider/Gearbox Removal

J-36/M-30 TROWEL — MAINTENANCE

Trowel Blade Removal

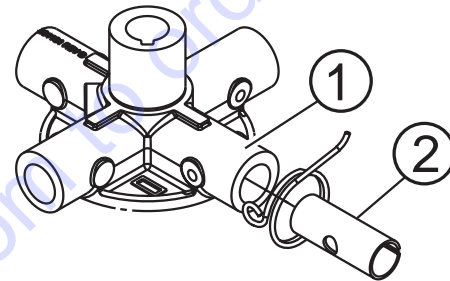
Remove the trowel blades by removing the three hex head bolts (Figure 42) from the trowel arm. Set blades aside.



- 1 Trowel Arm
- 2 Trowel Blade
- 3 Blade Attachment Bar
- 4 Blade Attachment Screw

Figure 42. Trowel Blades

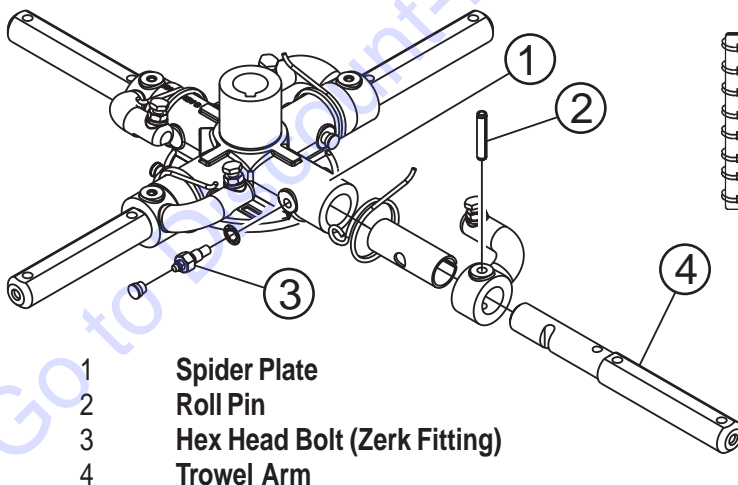
1. Each trowel arm is held in place at the spider plate by a hex head bolt (zerk grease fitting) and a roll pin. Remove both the hex head bolt and the roll pin (Figure 43) from the spider plate.
2. Remove the trowel arm from the spider plate.
3. Should the trowel arm inserts (bushing) come out with the trowel arm, remove the bushing from the trowel arm and set aside in a safe place. If the bushing is retained inside the spider plate, carefully remove the bushing.
4. Examine the trowel arm bushing insert (Figure 44), clean if necessary. Replace bushing if out of round or worn.



- 1 Spider Plate
- 2 Bushing

Figure 44. Trowel Arm Bushings

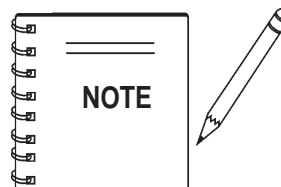
Trowel Arm Removal



- 1 Spider Plate
- 2 Roll Pin
- 3 Hex Head Bolt (Zerk Fitting)
- 4 Trowel Arm

Figure 43. Removing Roll Pin and Zerk Grease Fitting

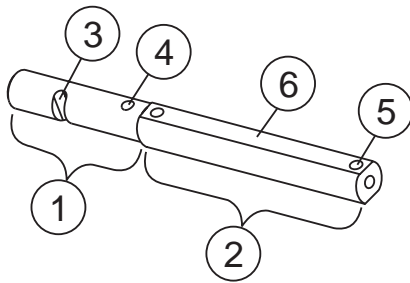
2. **Wire brush** any build-up of concrete from all six sides of the trowel arm. Repeat this for the remaining three arms.



This trowel is shipped with durable semi-round trowel arms. Hexagonal arms of the same length are interchangeable.

Checking Trowel Arm Straightness

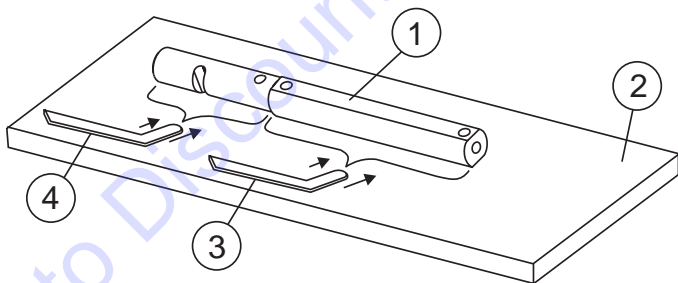
Trowel arms can be damaged by rough handling, (such as dropping the trowel on the pad), or by striking exposed plumbing, forms, or rebar while in operation. A bent trowel arm will not allow the trowel to operate in a smooth fluid rotation. If bent trowel arms are suspect, check for flatness as follows, refer to Figures 45 and 46:



- 1 Trowel Arm Round Shaft Section
- 2 Trowel Arm Semi-Round Shaft Section
- 3 Lever Mounting Slot (Left Arm Shown)
- 4 Roll Pin Hole
- 5 Blade Attachment Bolt Hole (One of Two)
- 6 Flat of Semi-Round Shaft (Top of Arm)

Figure 45. Trowel Arm

1. Use a thick steel plate, granite slab or any surface which is **true** and **flat**, to check all **six sides** of each trowel arm for flatness.
2. Check each of the six sides of the trowel arm (hex section). A feeler gauge of .004" (0.10 mm) should not pass between the flat of the trowel arm and the test surface along its length on the test surface. (Figure 46 item 3).



- 1 Trowel Arm
- 2 Flat Test Surface
- 3 Feeler Gauge (.004 in. / 0.10 mm)
- 4 Feeler Gauge (.005 in. / 0.127 mm)

Figure 46. Checking Trowel Arm Flatness

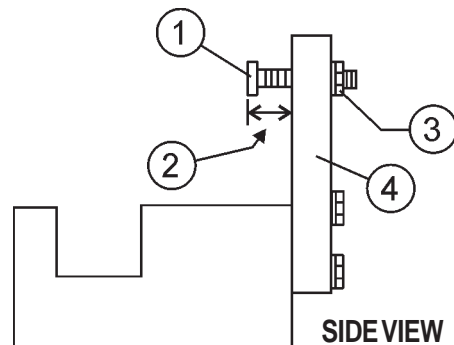
3. Next, check the clearance between the round shaft and the test surface as one of the flat hex sections of the arm rests on the test surface. Rotate the arm to each of the flat hex sections and check the clearance of the round shaft. Use a feeler gauge of .005" (0.127 mm). Each section should have the **same clearance** between the round of the trowel arm shaft and the test surface.

4. If the trowel arm is found to be **uneven** or **bent**, replace the trowel arm.

Trowel Arm Adjustment

Shown in (Figure 47) is the adjustment fixture with a trowel arm inserted. As each trowel arm is locked into the fixture, the arm bolt is adjusted to where it contacts a stop on the fixture. This will consistently adjust all of the trowel arms, keeping the finisher as flat and evenly pitched as possible.

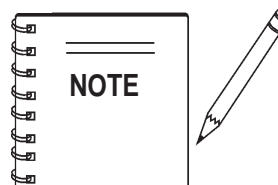
1. Locate the trowel arm adjustment tool P/N 9177.



- 1 Adjustment Bolt
- 2 "Distance"
- 3 Locking Nut
- 4 Fixture Arm

Figure 47. Trowel Arm Adjustment Tool Side View

2. Ensure the fixture arm is in the proper setting (up or down) for your trowel arm rotation as shown in Figure 48.



Arms with CLOCK-WISE blade rotation use the fixture arm in the UP position (A in Figure 40). Arms with COUNTER CLOCK-WISE blade rotation use the fixture with the fixture arm in the DOWN position. (B in Figure 48).

J-36/M-30 TROWEL — MAINTENANCE

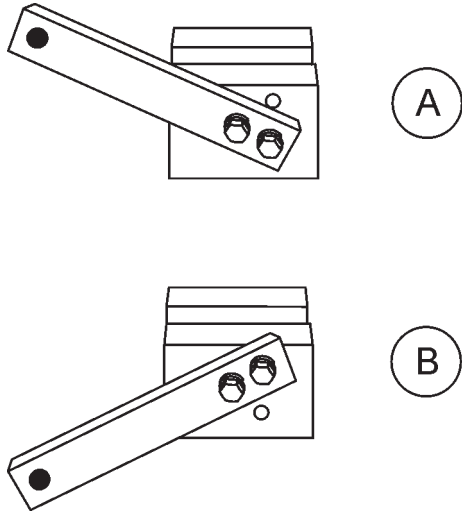
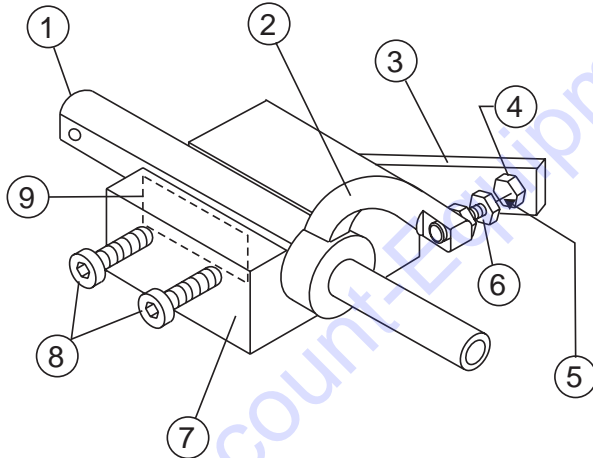


Figure 48. Trowel Arm Adjustment Setup

3. Unscrew the locking bolts on the adjustment tool and place the trowel arm into the fixture channel as shown in Figure 49. A **thin shim** may be required to cover the blade holes on the trowel arm. Make sure to align the **trowel** adjustment bolt with the **fixture** adjustment bolt.



- | | |
|---|-------------------------------|
| 1 | Arm |
| 2 | Trowel Arm Lever |
| 3 | Fixture Arm |
| 4 | Adjustment Bolt |
| 5 | Distance = .010 Inch |
| 6 | Adjustment Bolt |
| 7 | Trowel Arm Adjustment Fixture |
| 8 | Locking Bolts |
| 9 | Shim |

Figure 49. Trowel Arm Adjustment Fixture Components

4. Use an allen wrench to tighten the locking bolts securing the trowel arm in place.
5. Adjust the bolt "distance" shown in Figure 49 to match one of the arms. The other arms will be adjusted to match this distance.
6. Loosen the locking nut on the trowel arm lever, then turn the trowel arm adjusting bolt until it barely touches (.010") the fixture adjusting bolt.
7. Once the correct adjustment is made, tighten the lock nut on the trowel arm to lock in place.
8. Loosen locking nuts on the adjustment fixture, and remove trowel arm.
9. Repeat steps for the remaining trowel arms.

Re-Assembly

1. Clean and examine the upper/lower wear plates and thrust collar. Examine the entire spider assembly. Wire brush any concrete or rust build-up. If any of the spider components are found to be damaged or out of round, replace them.
2. Make sure that the bronze trowel arm bushing is not damage or out of round. Clean the bushing if necessary. If the bronze bushing is damaged or worn, replace it.
3. Reinstall bronze bushing onto trowel arm.
4. Repeat steps 2 -3 for each trowel arm.
5. Make sure that the spring tensioner is in the correct position to exert tension on the trowel arm.
6. Insert all trowel arms with levers into spider plate (with bronze bushing already installed) using care to align grease hole on bronze bushing with grease hole fitting on spider plate.
7. Lock trowel arms in place by tightening the hex head bolt with zerk grease fitting and jam nut.
8. Re-install the blades onto the trowel arms.
9. Install stabilizer ring onto spider assembly.
10. Reinstall **lower wear plate**, **thrust collar** and **upper wear ring** in the **reverse order** that they were dis-assembled onto the spider shaft. Make sure that there is little or no lateral movement between the thrust collar and the spider shaft.

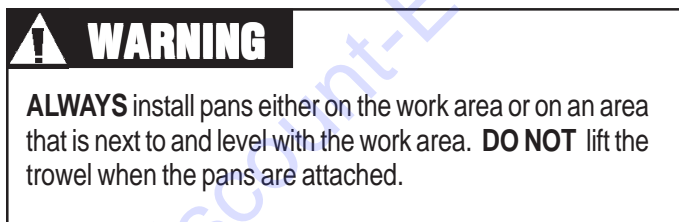
11. Carefully lift *the upper trowel assembly*, line up the key-way on gear box main shaft and insert into spider assembly.
12. Reinstall square head cone point into spider plate and tighten in place. Tighten jam nut. Use care in making sure point of set screw engages groove in gear box main shaft.
13. Lubricate all grease points (zerk fittings) with premium "**Lithum 12**" based grease, conforming to NLG1 Grade #2 consistency.

Testing

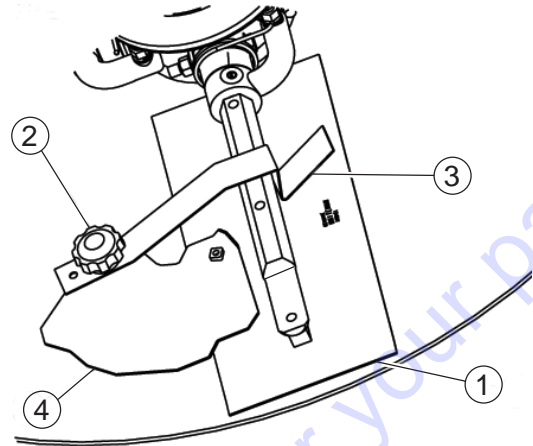
1. Place trowel in test area, start engine and test trowel for smoothness.
2. If trowel bounces has excessive vibration or does not run smoothly repeat alignment procedure.

Installing Pans Onto Finisher Blades

These round discs sometimes referred to as "pans" attach to the spiders arms and allow early floating on wet concrete and easy movement from wet to dry areas. They are also very effective in embedding large aggregates and surface hardeners.



Refer to Figure 50 when installing pans onto finisher blades.



- 1 **Blade Assembly**
- 2 **Knob, Tie-Down Z-Clip Pans**
- 3 **Tie-Down, Blade**
- 4 **Z-Clip, Pan**

Figure 50. Pan Installation

1. Lift trowel just enough to slide pan under blades. Lower finisher onto pan with blades (item #1) adjacent to Z-Clips (item #4).
2. Rotate blades into position under Z-Clips. Ensure that the blades are rotated in the direction of travel when the machine is in operation or use the engine to rotate the blades into position.
3. Attach the blade tie-downs (item #3) to the far side of the Z-Clip brackets (item #4) with tie-down knobs (item #2) as shown in figure 50.
4. Check to make certain that the blade edges are secured under the Z-Clips and the tie-downs are secured completely over the edges of the blade bar before the machine is put back into operation.

Decommissioning Trowel/Components

Decommissioning is a controlled process used to safely retire a piece of equipment that is no longer serviceable. If the equipment poses an unacceptable and unrepairable safety risk due to wear or damage or is no longer cost effective to maintain, (beyond life-cycle reliability) and is to be decommissioned, (demolition and dismantlement), the following procedure must take place:

1. Drain all fluids completely. These may include oil, gasoline, hydraulic oil and antifreeze. Dispose of properly in accordance with local and governmental regulations. Never pour on ground or dump down drains or sewers.
2. The remainder can be brought to a salvage yard or metal reclamation facility for further dismantling.

J-36/M-30 TROWEL — TROUBLESHOOTING (TROWEL)

TABLE 5. TROUBLESHOOTING

SYMPTOM	POSSIBLE PROBLEM	SOLUTION
Engine running rough or not at all.	Engine ON/OFF Switch in "OFF" position or malfunctioning?	Make sure that the Engine ON/OFF Switch is the "ON" position. Check contacts. Replace switch if necessary.
	Fuel?	Look at the fuel system. Make sure there is fuel being supplied to the engine. Check to ensure that the fuel filter is not clogged.
	Ignition?	Check that the ignition switch has power and is functionin correctly.
	Loose wire connections?	Check wiring. Replace or repair as necessary.
	"Kill" Switch malfunction?	Ensure switch is in the "ON" position. Check wiring/connections. Check contacts. Replace switch if defective.
If trowel "bounces, rolls concrete, or makes uneven swirls in concrete".	Blades?	Make certain blades are in good condition, not excessively worn. Finish blades should measure no less than 2" (50mm) from the blade bar to the trailing edge, combo blades should measure no less that 3.5" (89mm). Trailing edge of blade should be straight and parallel to the blade bar.
	Pitch adjustment?	Check that all blades are set at the same pitch angle as measured at the spider. A field adjustment tool is available for height adjustment of the trowel arms. (Contact Parts Dept.)
	Bent trowel arms?	Check the spider assembly for bent trowel arms. If one of the arms is even slightly bent, replace it immediately.
	Spider?	Check fit of arms in spider. This can be done by moving the trowel arms up and down. If there is more than 1/8" (3.2 mm) of travel at the tip of the arm, the spider and arms should be replaced.
	Thrust collar?	Check the flatness of the thrust collar by rotating it on the spider. If it varies by more than 0.02" (0.5 mm) replace the thrust collar.
	Thrust collar?	Check the thrust collar by rocking it on the spider. If it can tilt more than 3/32" (2.4 mm) [as measured at the thrust collar O.D.], replace the thrust collar.
	Thrust bearing worn?	Check the thrust bearing to see that it is spinning free. Replace if necessary.
Machine has a perceptible rolling motion while running.	Main shaft?	The main output shaft of the gearbox assembly should be checked for straightness. The main shaft must run straight and cannot be more than 0.003" (0.08 mm) out of round at the spider attachment point.
	Yoke?	Check to make sure that both fingers of the yoke press evenly on the wear cap. Replace yoke as necessary.
	Blade Pitch?	Check to ensure that each blade is adjusted to have the same pitch as all other blades. Adjust per maintenance section in manual.

J-36/M-30 TROWEL — TROUBLESHOOTING (TROWEL)

TABLE 6. TROUBLESHOOTING (CONTINUED)

SYMPTOM	POSSIBLE PROBLEM	SOLUTION
Clutch slipping or sluggish response to engine speed change.	Worn V-belts?	Replace V-belt.
	Dirty centrifugal clutch?	Disassemble and clean clutch.
	Defective or worn out centrifugal clutch?	Replace entire clutch.
	Worn bearings in gearbox?	Rotate input shaft by hand. If shaft rotates with difficulty, check the input and output shaft bearings. Replace as necessary.
	Worn or broken gears in gearbox?	Verify that the gearbox shaft rotates when the input shaft is rotated. Replace both the worm and worm gear as a set.

J-36/M-30 TROWEL — TROUBLESHOOTING (ENGINE)

TABLE 6. TROUBLESHOOTING (ENGINE)

SYMPTOM	POSSIBLE CAUSE	SOLUTION
Difficult to start, "fuel is available, but no SPARK at spark plug".	Spark plug bridging?	Check gap, insulation or replace spark plug.
	Carbon deposit on spark plug?	Clean or replace spark plug.
	Short circuit due to deficient spark plug insulation?	Check spark plug insulation, replace if worn.
	Improper spark plug gap?	Set to proper gap.
Difficult to start, "fuel is available, and SPARK is present at the spark plug".	ON/OFF switch is shorted?	Check switch wiring, replace switch.
	Ignition coil defective?	Replace ignition coil.
	Improper spark gap, points dirty?	Set correct spark gap and clean points.
	Condenser insulation worn or short circuiting?	Replace condenser.
	Spark plug wire broken or short circuiting?	Replace defective spark plug wiring.
Difficult to start, "fuel is available, spark is present and compression is normal".	Wrong fuel type?	Flush fuel system, and replace with correct type of fuel.
	Water or dust in fuel system?	Flush fuel system.
	Air cleaner dirty?	Clean or replace air cleaner.
	Choke Open? (Engine cold)	Close Choke.
	Choke Closed? (Engine warm)	Open Choke.
Difficult to start, "fuel is available, spark is present and compression is low".	Suction/exhaust valve stuck or protruded?	Re-seat valves.
	Piston ring and/or cylinder worn?	Replace piston rings and or piston.
	Cylinder head and/or spark plug not tightened properly?	Torque cylinder head bolts and spark plug.
	Head gasket and/or spark plug gasket damaged?	Replace head and spark plug gaskets.
No fuel present inside priming bulb.	Fuel not available in fuel tank?	Fill with correct type of fuel.
	Fuel filter clogged?	Replace fuel filter.
	Fuel tank cap breather hole clogged?	Clean or replace fuel tank cap.
	Air in fuel line?	Bleed fuel line.

PARTS FINDER

**Search Website
by Part Number**



**Search Manual
Library For Parts
Manual & Lookup Part
Numbers – Purchase
or Request Quote**

Search Manuals

Enter your information to help us find the right parts manual for your machine.

* Brand:

* Model:

* Serial:

* Part Number:

SEARCH

**Can't Find Part or
Manual? Request Help
by Manufacturer,
Model & Description**

Parts Order Form

Please fill in the following information to help us find the right part for your machine.

Manufacturer:	<input type="text"/>
Model:	<input type="text"/>
Description:	<input type="text"/>
Part Number:	<input type="text"/>
Quantity:	<input type="text"/>
Notes:	<input type="text"/>

Submit

Discount-Equipment.com is your online resource for quality parts & equipment.

Florida: **561-964-4949** Outside Florida TOLL FREE: **877-690-3101**

Need parts?

Click on this link: <http://www.discount-equipment.com/category/5443-parts/> and choose one of the options to help get the right parts and equipment you are looking for. Please have the machine model and serial number available in order to help us get you the correct parts. If you don't find the part on the website or on one of the online manuals, please fill out the request form and one of our experienced staff members will get back to you with a quote for the right part that your machine needs.

We sell worldwide for the brands: Genie, Terex, JLG, MultiQuip, Mikasa, Essick, Whiteman, Mayco, Toro Stone, Diamond Products, Generac Magnum, Airman, Haulotte, Barreto, Power Blanket, Nifty Lift, Atlas Copco, Chicago Pneumatic, Allmand, Miller Curber, Skyjack, Lull, Skytrak, Tsurumi, Husquvarna Target, Stow, Wacker, Sakai, Mi-T-M, Sullair, Basic, Dynapac, MBW, Weber, Bartell, Bennar Newman, Haulotte, Ditch Runner, Menegotti, Morrison, Contec, Buddy, Crown, Edco, Wyco, Bomag, Laymor, EZ Trench, Bil-Jax, F.S. Curtis, Gehl Pavers, Heli, Honda, ICS/PowerGrit, IHI, Partner, Imer, Clipper, MMD, Koshin, Rice, CH&E, General Equipment, Amida, Coleman, NAC, Gradall, Square Shooter, Kent, Stanley, Tamco, Toku, Hatz, Kohler, Robin, Wisconsin, Northrock, Oztec, Toker TK, Rol-Air, APT, Wylie, Ingersoll Rand / Doosan, Innovatech, Con X, Ammann, Mecalac, Makinex, Smith Surface Prep, Small Line, Wanco, Yanmar

J-36/M-30 TROWEL — EXPLANATION OF CODES IN REMARKS COLUMN

The following section explains the different symbols and remarks used in the Parts section of this manual. Use the help numbers found on the back page of the manual if there are any questions.

The contents and part numbers listed in the parts section are subject to change **without notice**. Multiquip does not guarantee the availability of the parts listed.

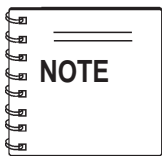
Sample Parts List:

NO.	PART NO.	PART NAME	QTY.	REMARKS
1	12345	BOLT	1	INCLUDES ITEMS W/*
2*	12346	WASHER, 1/4 IN.		NOT SOLD SEPARATELY
2*	12347	WASHER, 3/8 IN.		MQ-45T ONLY
3	12348	HOSE	A/R ..	MAKE LOCALLY
4	12349	BEARING	1	S/N 2345B AND UP

NO. Column

Unique Symbols - All items with same unique symbol (*, #, +, %, or >) in the number column belong to the same assembly or kit, which is indicated by a note in the "Remarks" column.

Duplicate Item Numbers - Duplicate numbers indicate multiple part numbers are in effect for the same general item, such as different size saw blade guards in use or a part that has been updated on newer versions of the same machine.



When ordering a part that has more than one item number listed, check the remarks column for help in determining the proper part to order.

PART NO. Column

Numbers Used - Part numbers can be indicated by a number, a blank entry, or TBD.

TBD (To Be Determined) is generally used to show a part that has not been assigned a formal part number at time of publication.

A blank entry generally indicates that the item is not sold separately or is not sold by Multiquip. Other entries will be clarified in the "Remarks" Column.

QTY. Column

Numbers Used - Item quantity can be indicated by a number, a blank entry, or A/R.

A/R (As Required) is generally used for hoses or other parts that are sold in bulk and cut to length.

A blank entry generally indicates that the item is not sold separately. Other entries will be clarified in the "Remarks" Column.

REMARKS Column

Some of the most common notes found in the "Remarks" Column are listed below. Other additional notes needed to describe the item can also be shown.

Assembly/Kit - All items on the parts list with the same unique symbol will be included when this item is purchased.

Indicated by:

"INCLUDES ITEMS W/(unique symbol)"

Serial Number Break - Used to list an effective serial number range where a particular part is used.

Indicated by:

"UP TO S/N XXXXX,"

"S/N XXXX AND UP"

"S/N XXXX TO S/N XXX"

Specific Model Number Use - Indicates that the part is used only with the specific model number or model number variant listed. It can also be used to show a part is NOT used on a specific model or model number variant.

Indicated by:

"XXXXX ONLY"

"NOT USED ON XXXX"

"Make/Obtain Locally" - Indicates that the part can be purchased at any hardware shop or made out of available items. Examples include battery cables, shims, and certain washers and nuts.

"Not Sold Separately" - Indicates that an item cannot be purchased as a separate item and is either part of an assembly/kit that can be purchased, or is not available for sale through Multiquip.

J-36/M-30 TROWEL — SUGGESTED SPARE PARTS

J-36/M-30 TROWEL 1 TO 3 UNITS WITH HONDA GX120 AND GX 240 GASOLINE ENGINE.

1 to 3 Units

Qty.	P/N	Description
2	20463	GRIP, RIGHT
2	20478	GRIP, LEFT
1	21046	GASKET/SEAL KIT
1	21047	BEARING KIT
1	20301	PITCH CABLE (STANDARD HANDLE)
1	20271	PITCH CABLE (QPHAFC HANDLE)
1	21172	THROTTLE CABLE
1	12778	THRUST BEARING
1	10793	THRUST COLLAR
1	1154 A	WEAR PLATE
3	01523	V-BELT A-28 (J36H55/J36H90)
3	1243	V-BELT A-27 (J36H90H)
3	23901-036	V-BELT A-27 (M3055H)
2	10065	GEARBOX LUBRICANT

HONDA GX120, HONDA GX240

2	9807354776	SPARK PLUG (HONDA)
2	17631ZH7003	TANK CAP (HONDA)
3	17211896000	AIR CLEANER ELEMENT (HONDA)
2	17218ZE2505	FILTER OUTER (HONDA)

J-36 TROWEL 1 TO 3 UNITS WITH ROBIN EX-17 AND EX-27 GASOLINE ENGINE.

1 to 3 Units

Qty.	P/N	Description
2	20463	GRIP, RIGHT
2	20478	GRIP, LEFT
1	21046	GASKET/SEAL KIT
1	21047	BEARING KIT
1	20301	PITCH CABLE (STANDARD HANDLE)
1	20271	PITCH CABLE (QPHAFC HANDLE)
1	21172	THROTTLE CABLE
1	12778	THRUST BEARING
1	10793	THRUST COLLAR
1	1154 A	WEAR PLATE
3	01523	V-BELT A-28 (J36R60/J36R90)
2	10065	GEARBOX LUBRICANT

ROBIN EX-17

2	0650140150	SPARK PLUG
2	0430430060	TANK CAP
3	2773261107	AIR CLEANER ELEMENT
2	2773260308	OUTER FOAM FILTER

ROBIN EX-27

2	0650140150	SPARK PLUG
2	0430430060	TANK CAP
3	2793260707	AIR CLEANER ELEMENT
2	2793260308	OUTER FOAM FILTER

J-36/M-30 TROWEL — NAMEPLATE AND DECALS

NAMEPLATE AND DECALS



1

P/N 1848



3

CONTACT
PARTS
DEPARTMENT



2

P/N 2942 WHITE TEXT 13"



4

P/N 35137



5

P/N 12405
(Quick Pitch Model)



6

P/N 36099 (ISO Blue)



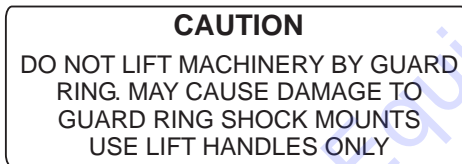
7

P/N 20816



8

P/N: 21455



9

P/N 1261



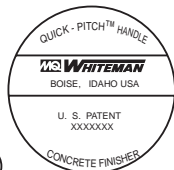
10

P/N 20527



11

P/N 35168



12

P/N 1758

13

CE
P/N 11092



14

P/N: 1492
(STANDARD MODEL)



15

P/N 1735

J-36/M-30 TROWEL — NAMEPLATE AND DECALS

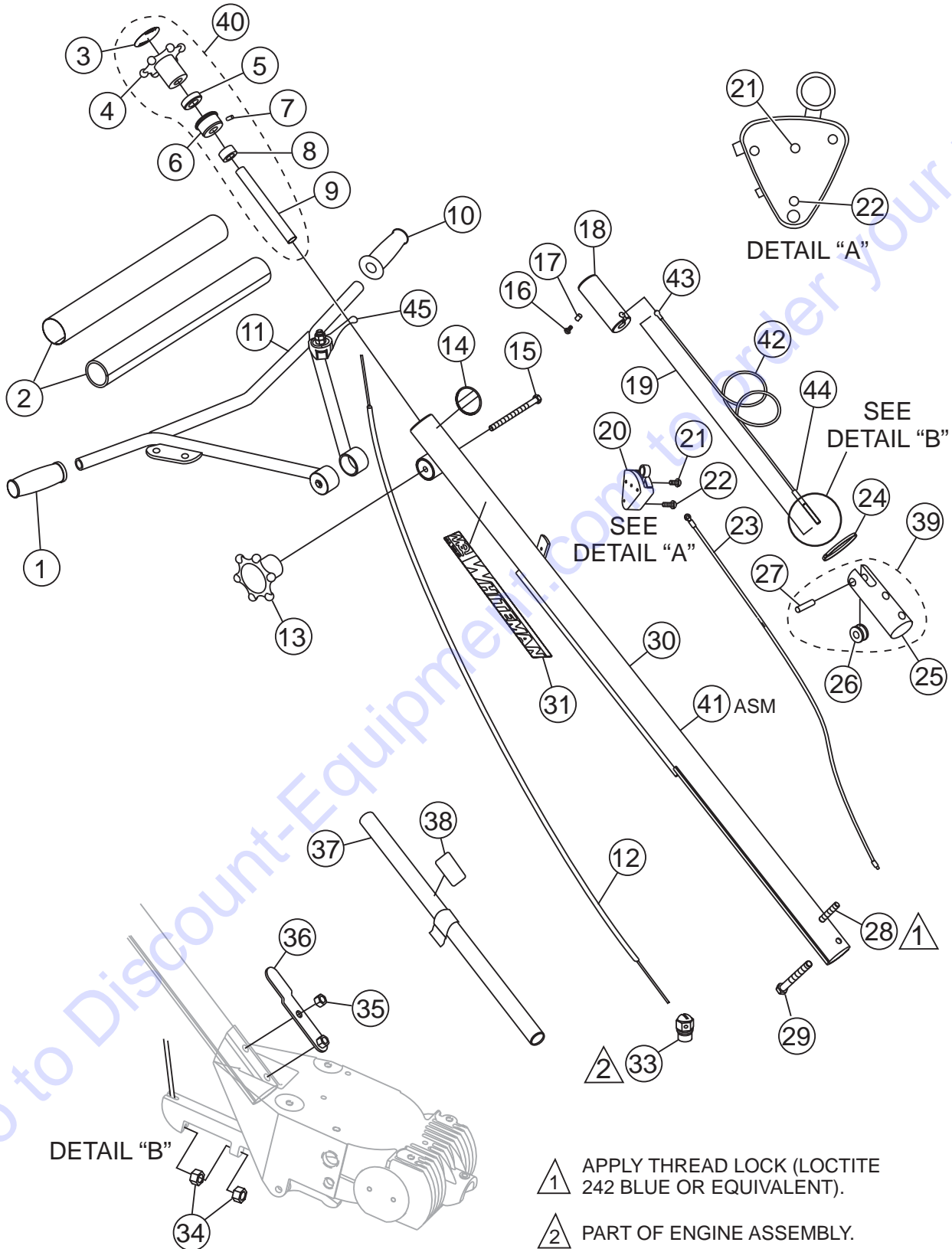
NAMEPLATE AND DECALS

<u>NO.</u>	<u>PART NO.</u>	<u>PART NAME</u>	<u>QTY.</u>	<u>REMARKS</u>
1	1848	DECAL: MQ/WHITEMAN POWER TROWEL	1	
2	2942	DECAL: MQ WHITEMAN (WHITE TEXT)	1	
3		NAME PLATE	1	CONTACT DISCOUNT-EQUIPMENT
4	35137	DECAL: WARNING, READ MANUAL	1	SAFETY ITEM
5	12405	DECAL: WHITEMAN QUICK PITCH	1	
6	36099	DECAL: HELMET, SHOE AND GLOVE	1	SAFETY ITEM
7	20816	DECAL: MULTIQUIP	1	
8	21455	DECAL: WARNING, LIFT/CRUSH HAZARD	1	SAFETY ITEM
9	1261	DECAL: CAUTION USE LIFT HANDLES	1	SAFETY ITEM
10	20527	DECAL: WARNING HANDLE	1	SAFETY ITEM
11	35168	DECAL: WARNING, BLADE RISK	1	SAFETY ITEM
12	1758	DECAL: QUICK PITCH PATENT	1	
13	11092	DECAL: CE	1	
14	1492	DECAL: FINISHER HANDLE	1	
15	1735	DECAL: PRELOAD TRIM INDICATOR	1	

Go to Discount-Equipment.com to order your parts

J-36/M-30 TROWEL — STANDARD HANDLE ASSY.

STANDARD HANDLE ASSY.



1 APPLY THREAD LOCK (LOCTITE 242 BLUE OR EQUIVALENT).

2 PART OF ENGINE ASSEMBLY.

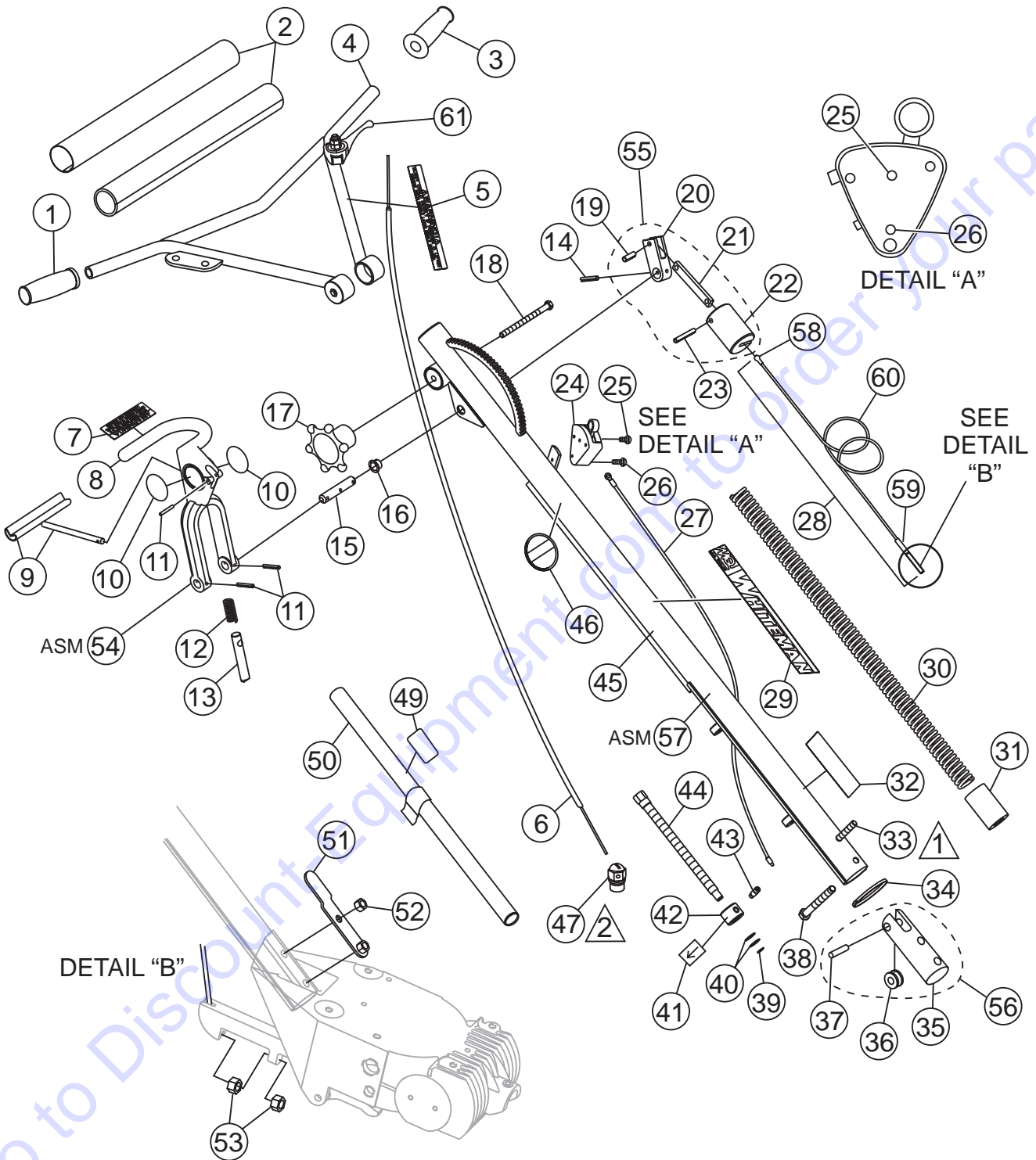
J-36/M-30 TROWEL — STANDARD HANDLE ASSY.

STANDARD HANDLE

<u>NO.</u>	<u>PART NO.</u>	<u>PART NAME</u>	<u>QTY.</u>	<u>REMARKS</u>
1	20463	GRIP, HANDLE RIGHT	1	
2	20774	COVER, PAD HANDLE	1	
3	20818	DECAL, STD PITCH.....	1	OBSOLETE ON LATER MODELS
4*	20817	WHEEL, HAND HANDLE	1	
5*	0281	BEARING, THRUST, NICE 607	1	
6*	20282	BEARING, TROWEL CONTROL	1	
7*	0122C	SCREW, SHS 3/8-16 X 1/2	1	
8*	3615	COLLAR, SET 3/4 ID	1	
9*	1478	SHAFT, TROWEL CONTROL	1	
10	20478	GRIP, HANDLE LEFT	1	
11	12556	HANDLE, ADJUSTABLE	1	
12	21172	THROTTLE CABLE	1	
13	20439	WHEEL ASM, HAND	1	
14	1492	DECAL, CUSTOM 2 1/2 CHROME	1	
15	20438	SCREW, HHC 3/8-16 X 5.00	1	
16	0786	SCREW, BHC 1/4- 20 X 3/8 NYL PATCH, NP	1	
17	0786A	SPACER, .360 X 17/64 X 1/8L	1	
18	20287	SLIDE BLOCK TROWEL CONTROL	1	
19	20285	CABLE ASM, LENGTH 48.29" STD FINISHER	1	
20	20856	SWITCH ASM, SAFETY STOP	1	
21	1602	SCREW, RHM 10-24 X 3/8.....	1	COMES WITH #20 SWITCH ASM
22	20988	SCREW, FHSC PHILLIPS 8-32 X 1 1/4	1	
23	20514	WIRE ASM, SAFETY STOP SWITCH	1	
24	1662	TIE, CABLE TY-RAP, BLACK	1	
25#	20275	BLOCK, SUPPORT	1	
26#	1118	PULLEY, SUPPORT BLOCK	1	
27#	20279	PIN, SUPPORT BLOCK 3/8 X 1.59	1	
28	21017	SCREW, HHC 3/8-16 X 3 1/4 FULL THREAD	1	
29	1493	SCREW, HHC 3/8-16 X 3 1/4	1	
30	12567	HANDLE, STD	1	
31	20814	DECAL, MQ MULTQUIP, 14"	1	
32	21173	HOUSING, CABLE 74"	1	
33	20845	SWIVEL, THROTTLE CABLE	1	
34	1116	NUT, BRASS JAM 5/16-18	2	
35	10133	NUT, NYLOC 3/8-16	1	
36	20392	BRACKET, LIFT TUBE	1	
37	20471	HANDLE, LIFT ASM	1	
38	1261	DECAL, CAUTION, LIFT HANDLE	1	
39	20280	BLOCK, CABLE ASM.....	1	INCLUDES ITEMS W/#
40	20819	HAND WHEEL ASM, PITCH CONTROL.....	1	INCLUDES ITEMS W/*
41	20299	HANDLE ASM, STD FINISHERS.....	1	CONTACT SALES DEPT.
42	20301	CABLE, CNTL 5/32 GALV AIRCRAFT 46.03"	1	
43	20421	CLEVIS, BALL END CONTROL CABLE	1	
44	A8638	END-BOLT, CNTL CABLE	1	
45	21171	LEVER, THROTTLE	1	

J-36/M-30 TROWEL — QUICK PITCH HANDLE ASSY.

QUICK-PITCH™ HANDLE ASSY.



▲ 1 APPLY THREAD LOCK (LOCTITE 242 BLUE OR EQUIVALENT).

▲ 2 PART OF ENGINE ASSEMBLY.

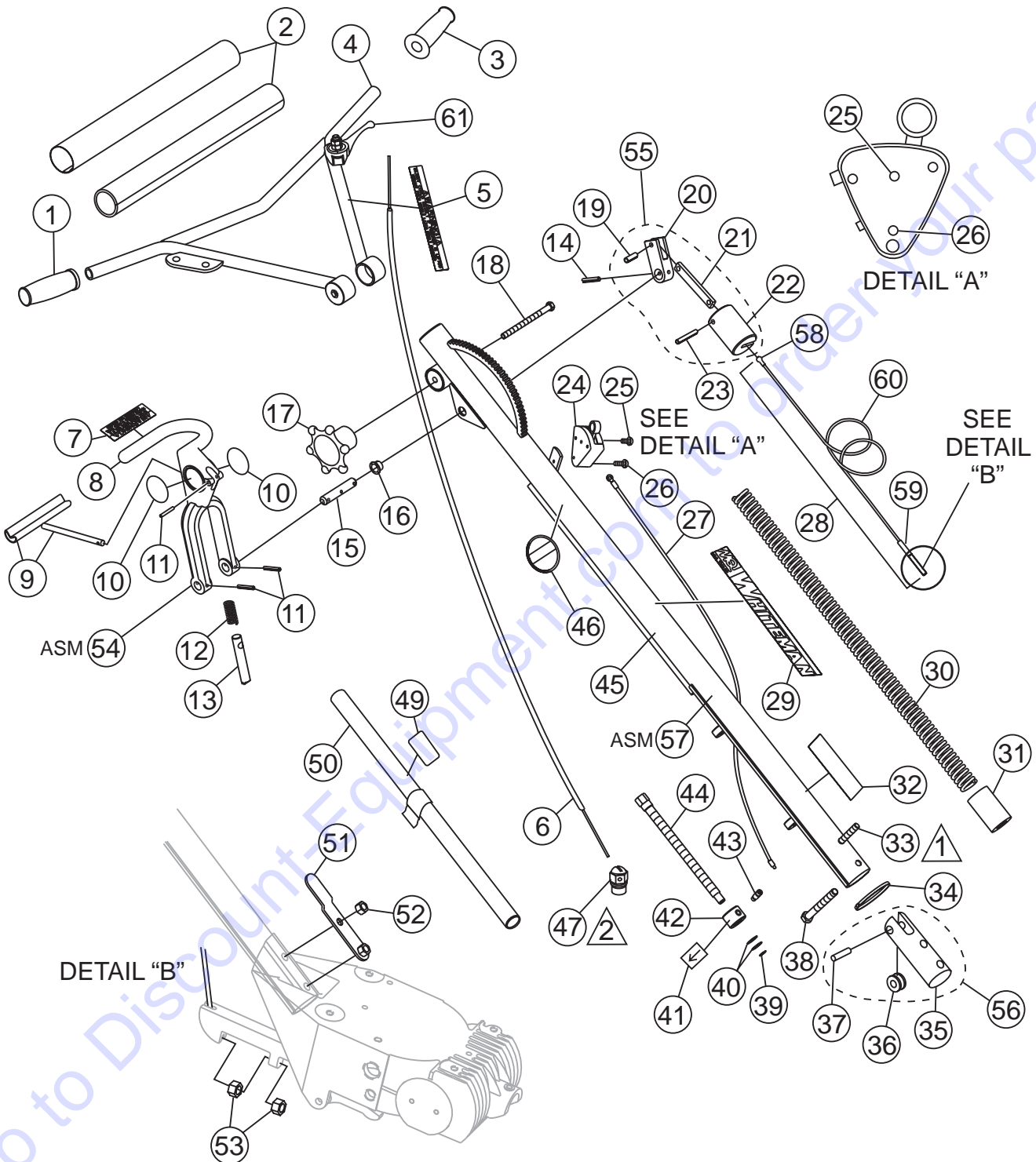
J-36/M-30 TROWEL — QUICK PITCH HANDLE ASSY.

QUICK-PITCH™ HANDLE ASSY.

<u>NO.</u>	<u>PART NO.</u>	<u>PART NAME</u>	<u>QTY.</u>	<u>REMARKS</u>
1	20463	GRIP, HANDLE RIGHT	1	
2	20774	COVER, PAD HANDLE	1	
3	20478	GRIP, HANDLE LEFT	1	
4	12556	HANDLE, ADJUSTABLE	1	
5	20526	DECAL, LATCH WARNING	1	
6	21172	CABLE, THROTTLE	1	
7	20527	DECAL, Q.P. WARNING	1	
8*	20389	HANDLE, QUICK-PITCH™	1	
9*	1746	TRIGGER, QP CHROMED	1	
10*	20815	DECAL, QUICK-PITCH™	2	
11	1729	PIN, ROLL 3/16 X 1 1/4	3	
12*	1706	SPRING, ENCLOSED QP CLAMP	1	
13*	20437	PIN, QP LATCH	1	
14	4568	PIN, ROLL 3/16 X 1	1	
15	1711	SHAFT, CONTROL QP	1	
16	1719	BUSHING, PIVOT PLATE	1	
17	20439	WHEEL ASM, HAND	1	
18	20438	SCREW, HHC 3/8-16 X 5.00	1	
19+	1731	PIN, ROLL 1/4 X 3/4	1	
20+	20443	ARM, SLIDE CONTROL	1	
21+	1709	CONNECTOR, QP CONTROL ARM	1	
22+	20269	LINKAGE, QP CONTROL	1	
23+	20276	PIN, ROLL 1/4 X 1 3/4	1	
24	20856	SWITCH ASM, SAFETY STOP	1	
25	1602	SCREW, RHM 10-24 X 3/8	1	COMES WITH #24 SWITCH ASSY.
26	20988	SCREW, FHSC PHILLIPS 8-32 X 1 1/4	1	
27	20514	WIRE ASM, SAFETY STOP SWITCH	1	
28	20297	CABLE ASM, QP CONTROL, 45"	1	
29	20814	DECAL, MQ MULTIQUIP, 14"	1	
30	1715	SPRING, COUNTER BALANCE	1	
31	20270	BLOCK, QP ADJUSTMENT	1	
32	1735	DECAL, PRELOAD TRIM INDICATOR	1	
33	21017	SCREW, HHC 3/8-16 X 3 1/4 FULL THREAD	1	
34	1662	TIE, CABLE, TY-RAP BLACK	1	
35#	20275	BLOCK, SUPPORT	1	
36#	1118	PULLEY, SUPPORT BLOCK	1	
37#	20279	PIN, SUPPORT BLOCK 3/8 X 1.59	1	
38	1493	SCREW, HHC 3/8-16 X 3 1/4	1	
39	1737	SNAP RING, TRUARC #5100-50	1	
40	1733	WASHER, 1/2 X 1/32, HARDENED	2	

J-36/M-30 TROWEL — QUICK PITCH HANDLE ASSY. CONT.

QUICK-PITCH™ HANDLE ASSY. CONT.



▲ 1 APPLY THREAD LOCK (LOCTITE 242 BLUE OR EQUIVALENT).

▲ 2 PART OF ENGINE ASSEMBLY.

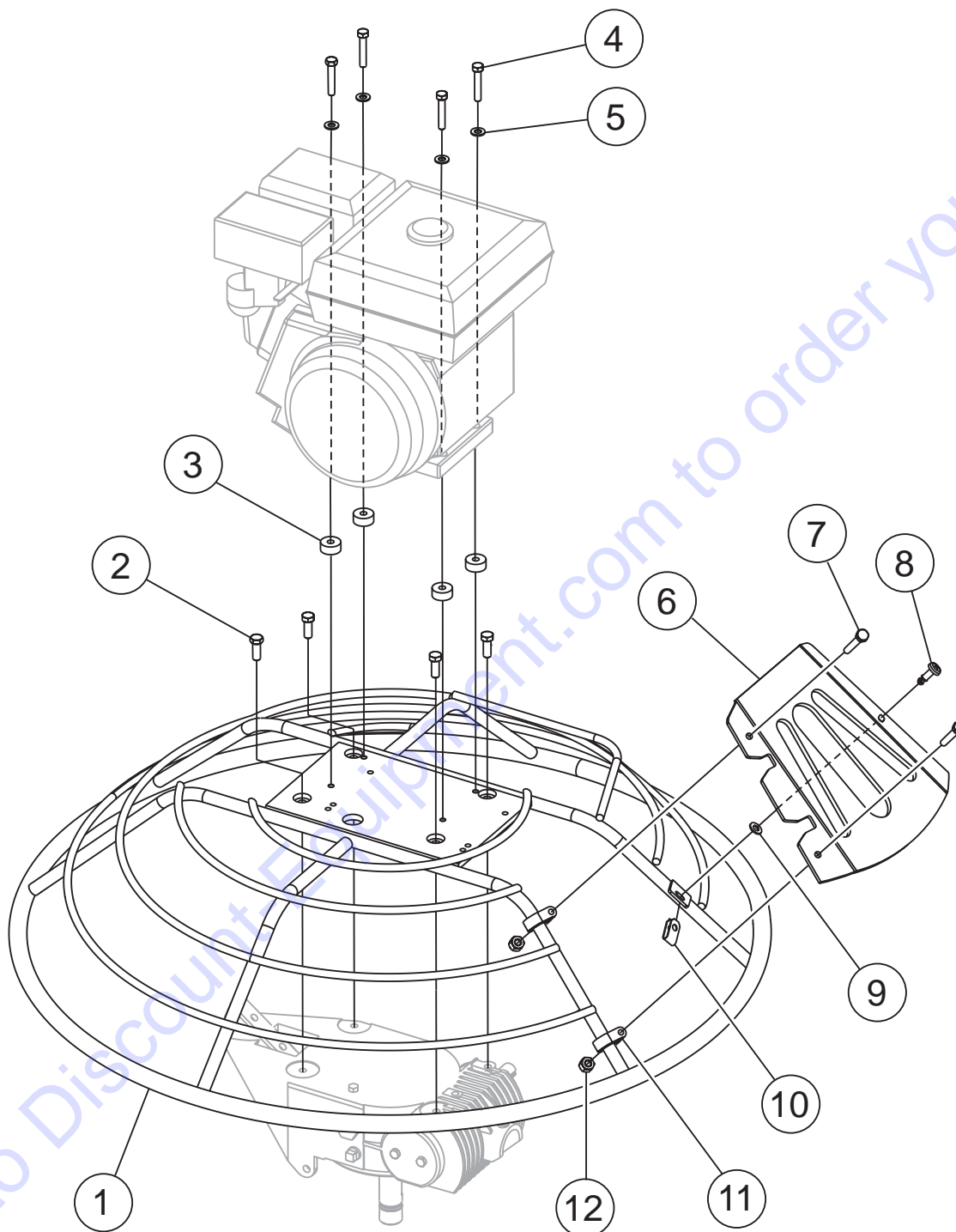
J-36/M-30 TROWEL — QUICK PITCH HANDLE ASSY. CONT.

QUICK-PITCH™ HANDLE ASSY. CONT.

<u>NO.</u>	<u>PART NO.</u>	<u>PART NAME</u>	<u>QTY.</u>	<u>REMARKS</u>
41	1736	DECAL, ARROW	1	
42	1718	NUT, QP TRIM CTRL ADJ	1	
43	1732	BOLT, STRIPPER 3/8 X 1/2	1	
44	1717	SCREW, QP TRIM ADJUSTMENT	1	
45	12642	TUBE, MAIN HANDLE	1	
46	1758	DECAL, PATENT QP	1	
47	20845	SWIVEL, ENGINE THROTTLE CABLE	1	HONDA ENGINE ONLY
48	21173	HOUSING, THROTTLE CABLE 74"	1	
49	1261	DECAL, CAUTION, LIFT HANDLE	1	
50	20471	HANDLE, LIFT ASM	1	
51	20392	BRACKET, LIFT TUBE	1	
52	10133	NUT, NYLOC 3/8-16	1	
53	1116	NUT, BRASS JAM 5/16-18	2	
54	20390	TRIGGER, QP ASM	1	INCLUDES ITEMS W/*
55	20293	LINKAGE, QP CONTROL ASM	1	INCLUDES ITEMS W/+
56	20280	BLOCK, CABLE ASM	1	INCLUDES ITEMS W/#
57	12645	HANDLE ASM, MAIN	1	CONTACT SALES DEPT.
58	20421	CLEVIS, BALL END CONTROL CABLE	1	
59	A8638	END-BOLT, CNTRL CABLE	1	
60	20271	CABLE, CNTL 5/32 GALV AIRCRAFT 43.19"	1	
61	21171	THROTTLE	1	

J-36/M-30 TROWEL — BASIC UNIT ASSY.

BASIC UNIT ASSY.



J-36/M-30 TROWEL — BASIC UNIT ASSY.

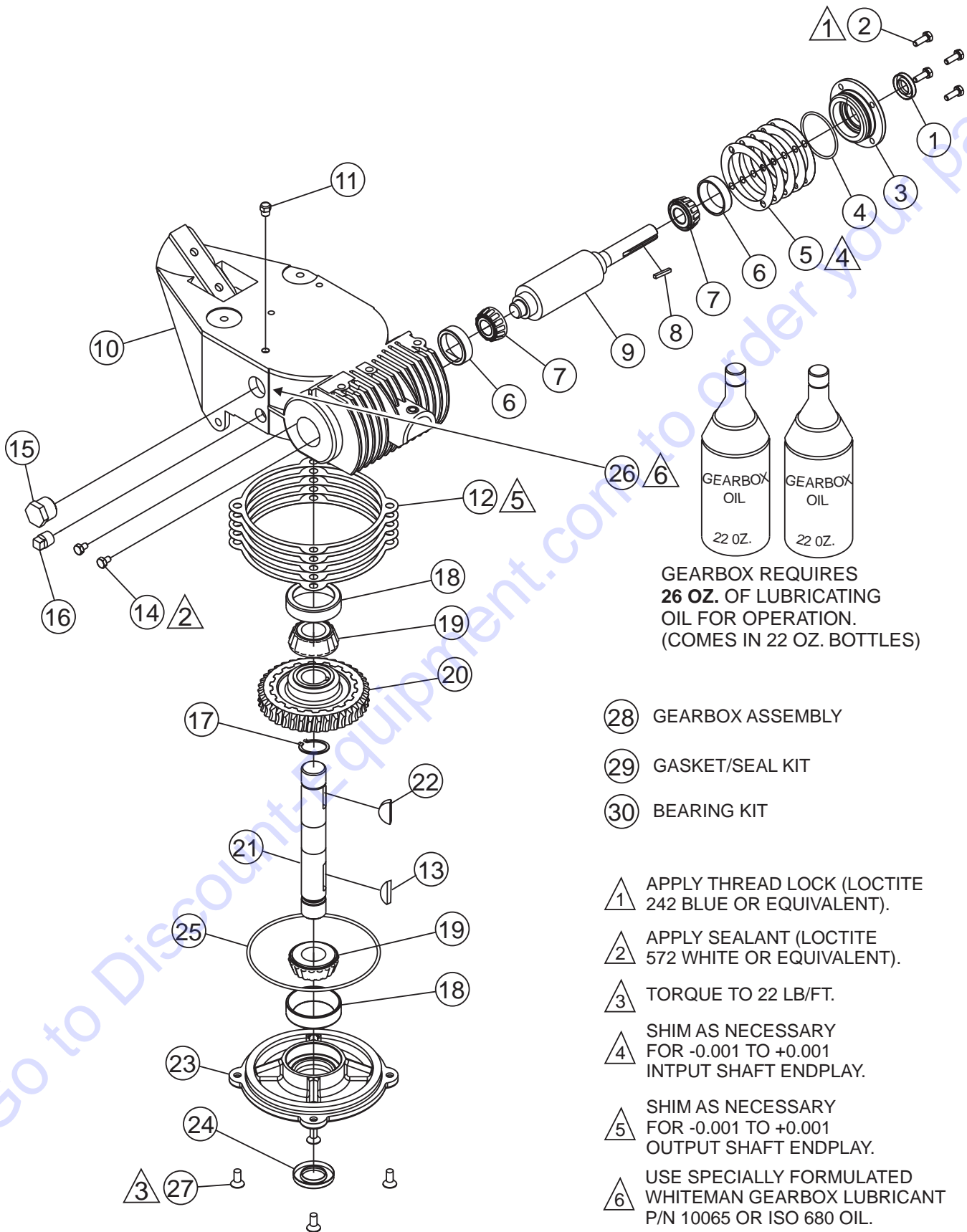
BASIC UNIT ASSY.

<u>NO.</u>	<u>PART NO.</u>	<u>PART NAME</u>	<u>QTY.</u>	<u>REMARKS</u>
1	21965	GUARD RING J36 FINISHER	1	ALL J-36 SERIES
1	21886	GUARD RING M30 FINISHER	1	M30H55 FINISHER
2	0205	SCREW, HHC 3/8 - 16 X 1.0	4	
3	21996	SPACER, 1.00 OD X .328 ID X .438 THK	4	J36H55/J36R60
3	21918	SPACER, FINISHER ENGINE MOUNT	4	M30H55 FINISHER
4	22024	SCREW, HHC 5/16 - 24 X 1-3/4 GR5 ZINC	4	J36H55/J36R60
4	10181	SCREW, HHC 5/16 - 24 X 1-1/4 GR5 ZINC	4	J36H90/J36H90H/J36R90
4	1391	SCREW, HHC 5/16 - 24 X 1-1/2 GR5 ZINC	4	M30H55 FINISHER
5	933241	WASHER, FLAT SAE 5/16 GRD 9YZ	4	
6	21880	ACCESS PANEL, M & J GUARD RING	1	
7	26250	SCREW, HHC 1/4 - 20 X 1-3/4	2	
8	21928	STUD, OVAL PHILLIPS RECESS	1	
9	21930	RETAINER CLIP, QUARTER TURN STUD	1	
10	21929	RECEPTACLE, LARGE QUARTER TURN	1	
11	21922	CLAMP, 0.625" ID PIPE	2	
12	10024	NUT, NYLOC 1/4 - 20	2	

Go to Discount-Equipment.com to order your parts

J-36/M-30 TROWEL — GEARBOX ASSY.

GEARBOX ASSY.



GEARBOX REQUIRES
26 OZ. OF LUBRICATING
 OIL FOR OPERATION.
 (COMES IN 22 OZ. BOTTLES)

- (28) GEARBOX ASSEMBLY
- (29) GASKET/SEAL KIT
- (30) BEARING KIT
- △ 1 APPLY THREAD LOCK (LOCTITE 242 BLUE OR EQUIVALENT).
- △ 2 APPLY SEALANT (LOCTITE 572 WHITE OR EQUIVALENT).
- △ 3 TORQUE TO 22 LB/FT.
- △ 4 SHIM AS NECESSARY FOR -0.001 TO +0.001 INPUT SHAFT ENDPLAY.
- △ 5 SHIM AS NECESSARY FOR -0.001 TO +0.001 OUTPUT SHAFT ENDPLAY.
- △ 6 USE SPECIALLY FORMULATED WHITEMAN GEARBOX LUBRICANT P/N 10065 OR ISO 680 OIL.

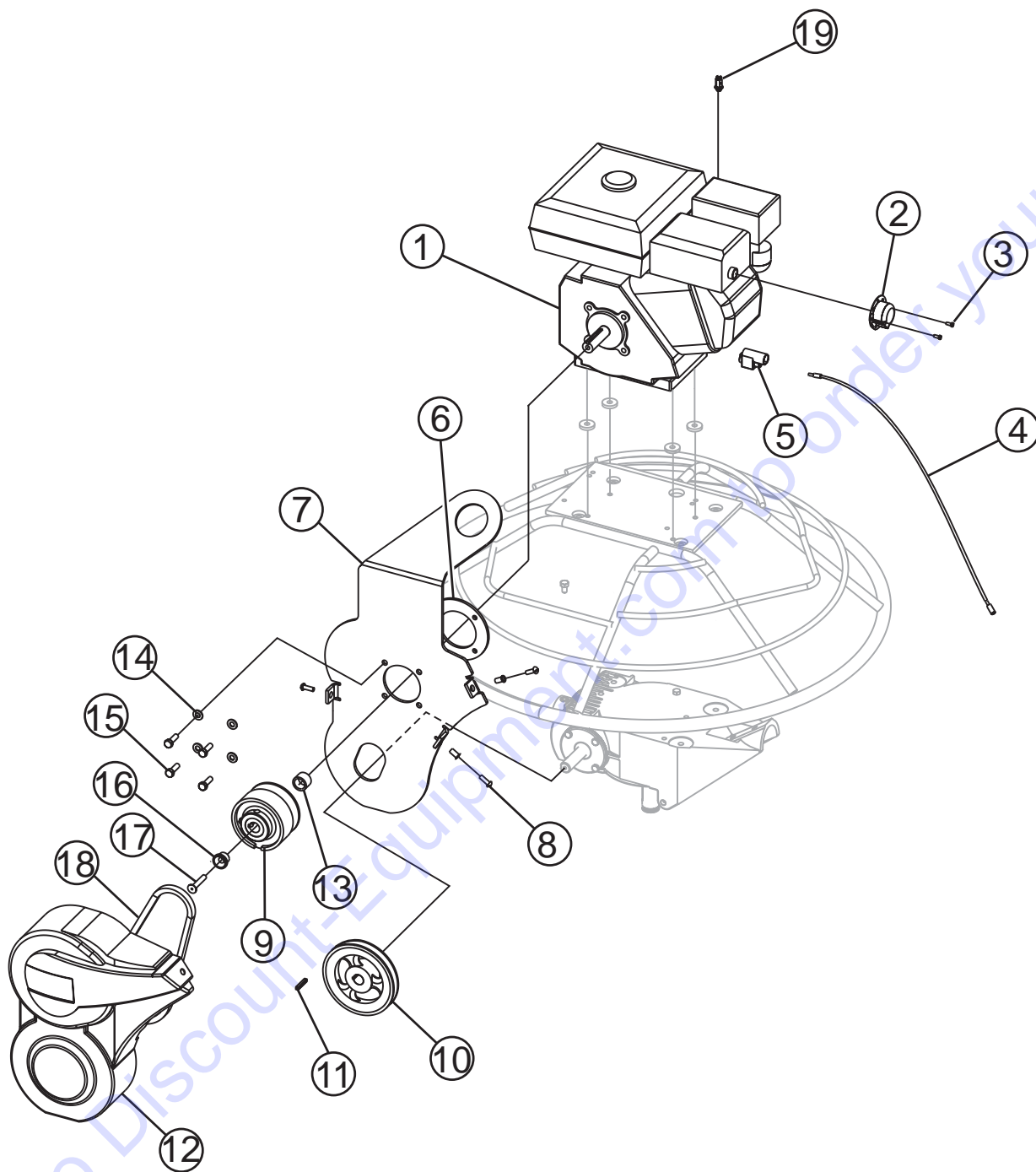
J-36/M-30 TROWEL — GEARBOX ASSY.

GEARBOX ASSY.

<u>NO.</u>	<u>PART NO.</u>	<u>PART NAME</u>	<u>QTY.</u>	<u>REMARKS</u>
1%*	0753	SEAL, OIL	1	
2%	0131A	SCREW, HHC 1/4-20 X 3/4	4	
3%	12876	FLANGE, INPUT SHAFT	1	
4%*	20395	RING, 2" 8032 N	1	
5%*	20397	SHIM, INPUT 0.002 THICK RED POLY	1	
	20398	SHIM, INPUT 0.003 THICK GREEN POLY	1	
	20399	SHIM, INPUT 0.005 THICK BLUE POLY	1	
	20400	SHIM, INPUT 0.010 THICK BROWN POLY	1	
	20401	SHIM, INPUT 0.020 THICK YELLOW POLY	1	
6%#	21466	BEARING, CUP, TIMKEN #M11910	2	
7%#	20465	BEARING, CONE, TIMKEN #LM11949	2	
8%	0627	KEY, SQUARE 3/16 X 1 1/4	1	
9%	1851	GEAR, WORM "B" INPUT SHAFT	1	
10%	12874	CASE, WORM GEAR MACHINED	1	
11%	21218	VENT, AIR	1	
12%*	20402	SHIM, OUTPUT 0.002 THICK RED POLY	1	
	20403	SHIM, OUTPUT 0.003 THICK GREEN POLY	1	
	20404	SHIM, OUTPUT 0.005 THICK BLUE POLY	1	
	20405	SHIM, OUTPUT 0.010 THICK BROWN POLY	1	
	20406	SHIM, OUTPUT 0.020 THICK YELLOW POLY	1	
13	1238	KEY, WOODRUFF #25	1	
14%	20476	SCREW, HHC 1/4-28 X 3/8	2	
15%	21033	SIGHT GLASS, 3/4 M PIPE STEEL	1	
16%	0121A	FITTING, PLUG 3/8 MP SQ HEAD	1	
17%	1138	RING, SNAP, TRUARC 5100-112	1	
18%#	20475	BEARING, CUP TIMKEN #M86610	2	
19%#	20474	BEARING, CONE TIMKEN #M86647	2	
20%	1140	GEAR, WORM, COMPOSITE	1	
21%	20470	SHAFT, OUTPUT J/B FIN	1	
22%	1139	KEY, WOODRUFF #810	1	
23%	12875	COVER, GEARBOX	1	
24%*	0254	SEAL, OIL	1	
25%*	20396	RING, O -254 BUNA N	1	
26	10065	OIL, ISO 680 CYLINDER OIL	2	
27%	20875	SCREW, FHSC 5/16-18 X 3/4	4	
28	20407	GEARBOX ASM	1	INCLUDES ITEMS W/ %
29	21046	GASKET/SEAL KIT.....	1	INCLUDES ITEMS W/ *
30	21047	BEARING KIT.....	1	NCLUDES ITEMS W/ #

J-36/M-30 TROWEL — ENGINE, 5.5 HP HONDA AND 6 HP ROBIN ASSY.

ENGINE, 5.5 HP HONDA AND 6 HP ROBIN ASSY.



J-36/M-30 TROWEL — ENGINE, 5.5 HP HONDA AND 6 HP ROBIN ASSY.

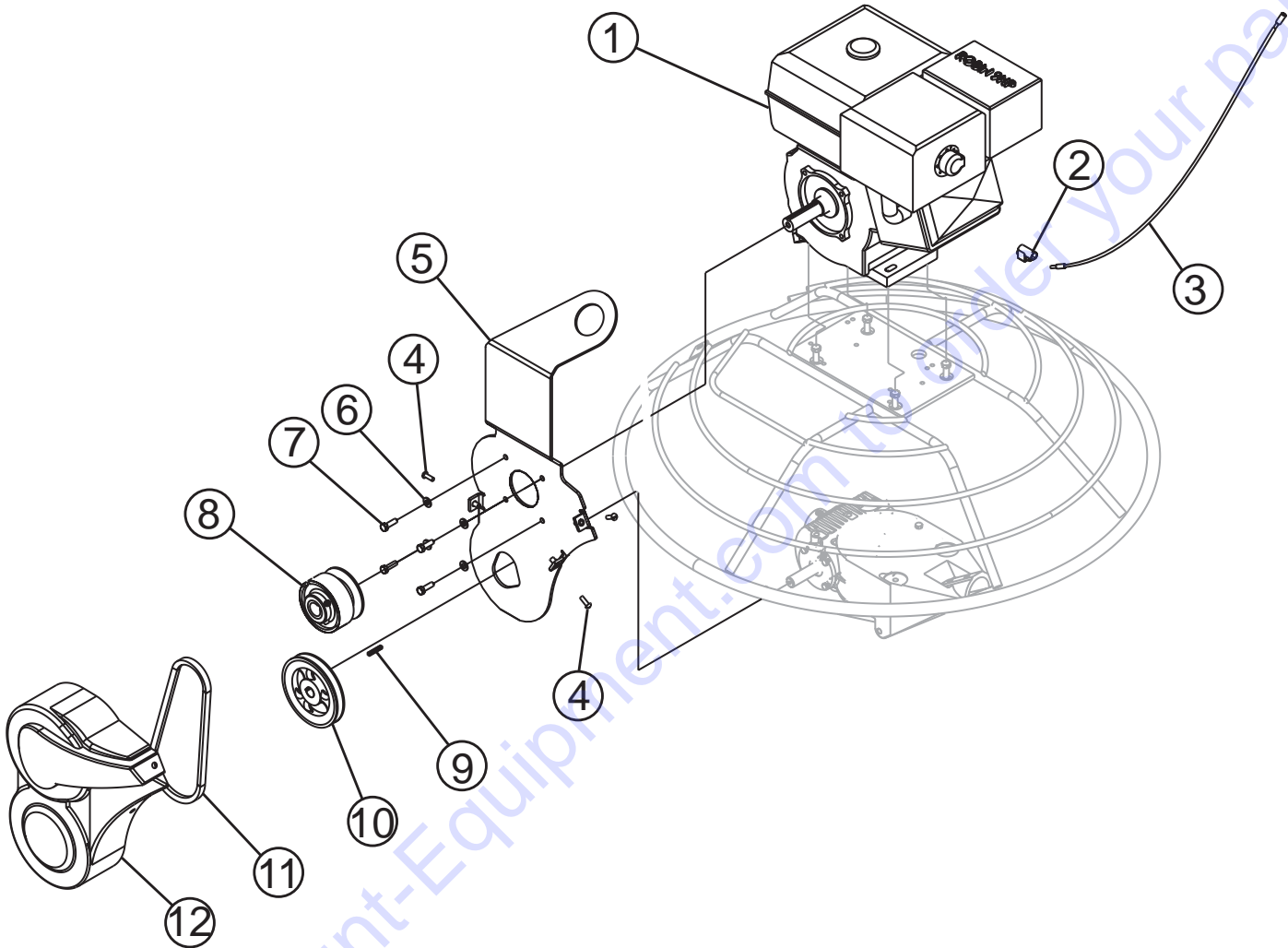
ENGINE, 5.5 HP HONDA AND 6 HP ROBIN ASSY.

<u>NO.</u>	<u>PART NO.</u>	<u>PART NAME</u>	<u>QTY.</u>	<u>REMARKS</u>
1	1386	ENGINE, 5.5 HP. HONDA GX160	1	
1	21563	ENGINE, 6 HP. ROBIN EX-17	1	
2	1834	DEFLECTOR, HONDA 5HP EXHAUST	1	HONDA ENG. ONLY
3	1273	SCREW, HHST 8 - 32 X 3/8	2	HONDA ENG. ONLY
4	1488	WIRE, SAFETY SWITCH	1	
5	1475	CONNECTOR, SPLICE TAP	1	
6	21915	SPACER, C M & J LIFTING BALE	1	
7	21988	LIFTING BALE ASSEMBLY	1	
8	12287	SCREW, THP 1/4 - 20 X 3/4 SS	3	
9	0250	CLUTCH ASSEMBLY, 3/4" CENTRIFUGAL	1	
10	21994	PULLEY AK-59 X 3/4	1	
11	0627	KEY, SQ 3/16 X 1-1/4	1	
12	21970	BELT GUARD	1	
13	21679	SPACER, 1" X .78 X 69L	1	
14	933241	WASHER, FLAT SAE 5/16 GRD 9 YZ	4	
15	12287	SCREW, THP 1/4 - 20 X 3/4 SS	4	
16	1406	END PLUG, CLUTCH	1	
17	21678	SCREW, FHSC 5/16 - 24 X 1-3/4	1	
18	01523	V-BELT A28	1	
19	20845	SWIVEL ASSEMBLY	1	HONDA ENG. ONLY

Go to Discount-Equipment.com to order your parts

J-36/M-30 TROWEL — ENGINE, 9 HP HONDA AND 9 HP ROBIN ASSY.

ENGINE, 9 HP HONDA AND 9 HP ROBIN ASSY.



J-36/M-30 TROWEL — ENGINE, 9 HP HONDA AND 9 HP ROBIN ASSY.

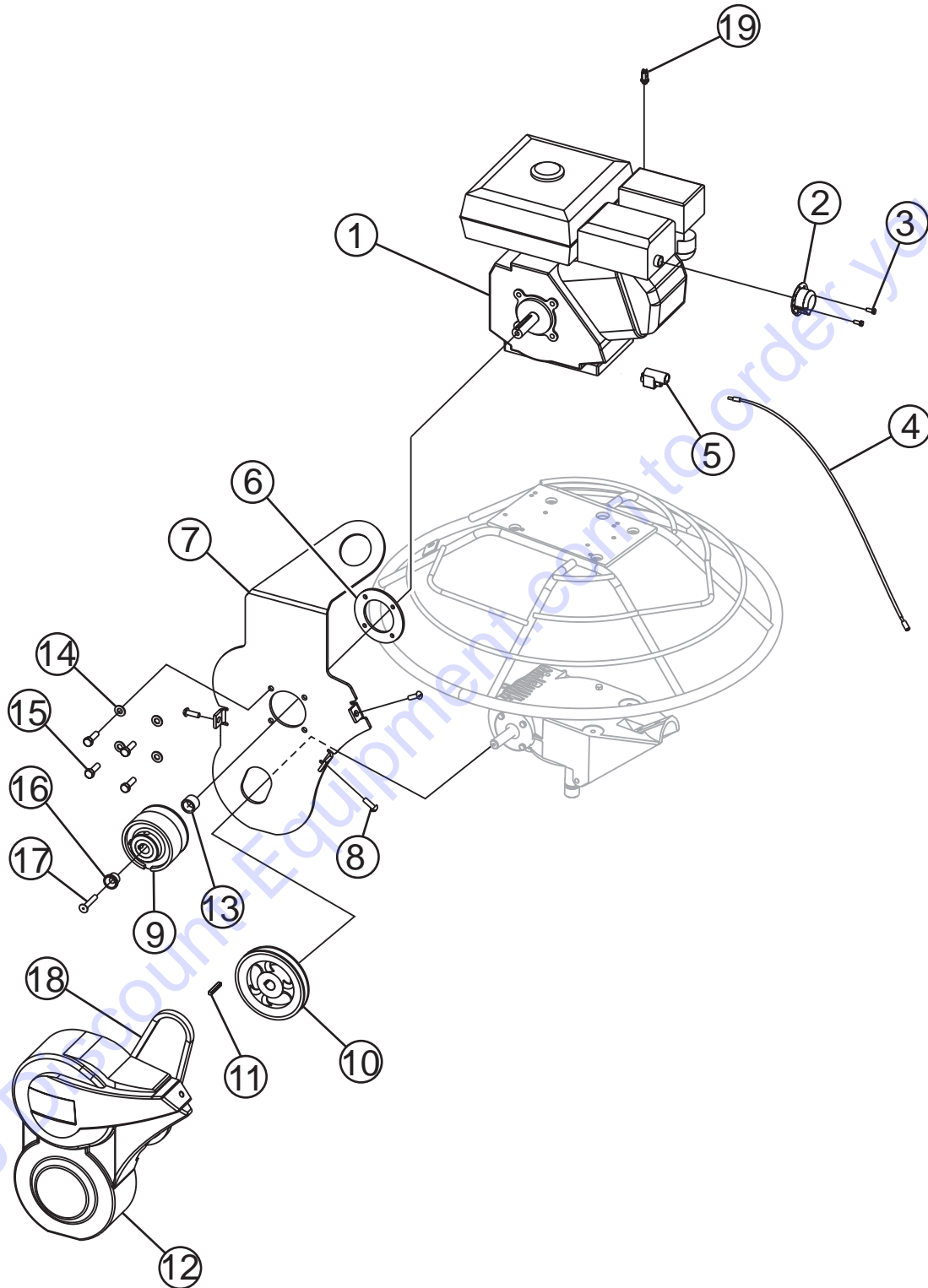
ENGINE, 9 HP HONDA AND 9 HP ROBIN ASSY.

<u>NO.</u>	<u>PART NO.</u>	<u>PART NAME</u>	<u>QTY.</u>	<u>REMARKS</u>
1	21980	ENGINE, 9 HP. HONDA GX270	1	J36H90/J36H90H FINISHER
1	21669	ENGINE, 9 HP. ROBIN EX-27	1	J36R90 FINISHER
2	1475	CONNECTOR, SPLICE TAP	1	
3	1488	WIRE, SAFETY SWITCH	1	
4	12287	SCREW, THP 1/4 - 20 X 3/4 SS	4	
5	21984	LIFTING BALE ASSEMBLY B FIN	1	
6	933241	WASHER, FLAT SAE 5/16 GRD 9 YZ	4	
7	12287	SCREW, THP 1/4 - 20 X 3/4 SS	4	
8	0255	CLUTCH ASSEMBLY 1" CENTRIFUGAL	1	
9	0627	KEY, SQ 3/16 X 1-1/4	1	
10	21140	PULLEY AK-54 X 3/4	1	J36H90/J36R90 FINISHER
10	11049	PULLEY AK-49 X 3/4	1	J36H90H FINISHER
11	01523	V-BELT A28	1	J36H90/J36R90 FINISHER
11	1243	V-BELT A27	1	J36H90H FINISHER
12	21970	BELT GUARD	1	

Go to Discount-Equipment.com to order your parts

M-30 TROWEL — ENGINE, 5.5 HP HONDA ASSY.

ENGINE, M20 FINISHER 5.5 HP HONDA ASSY.



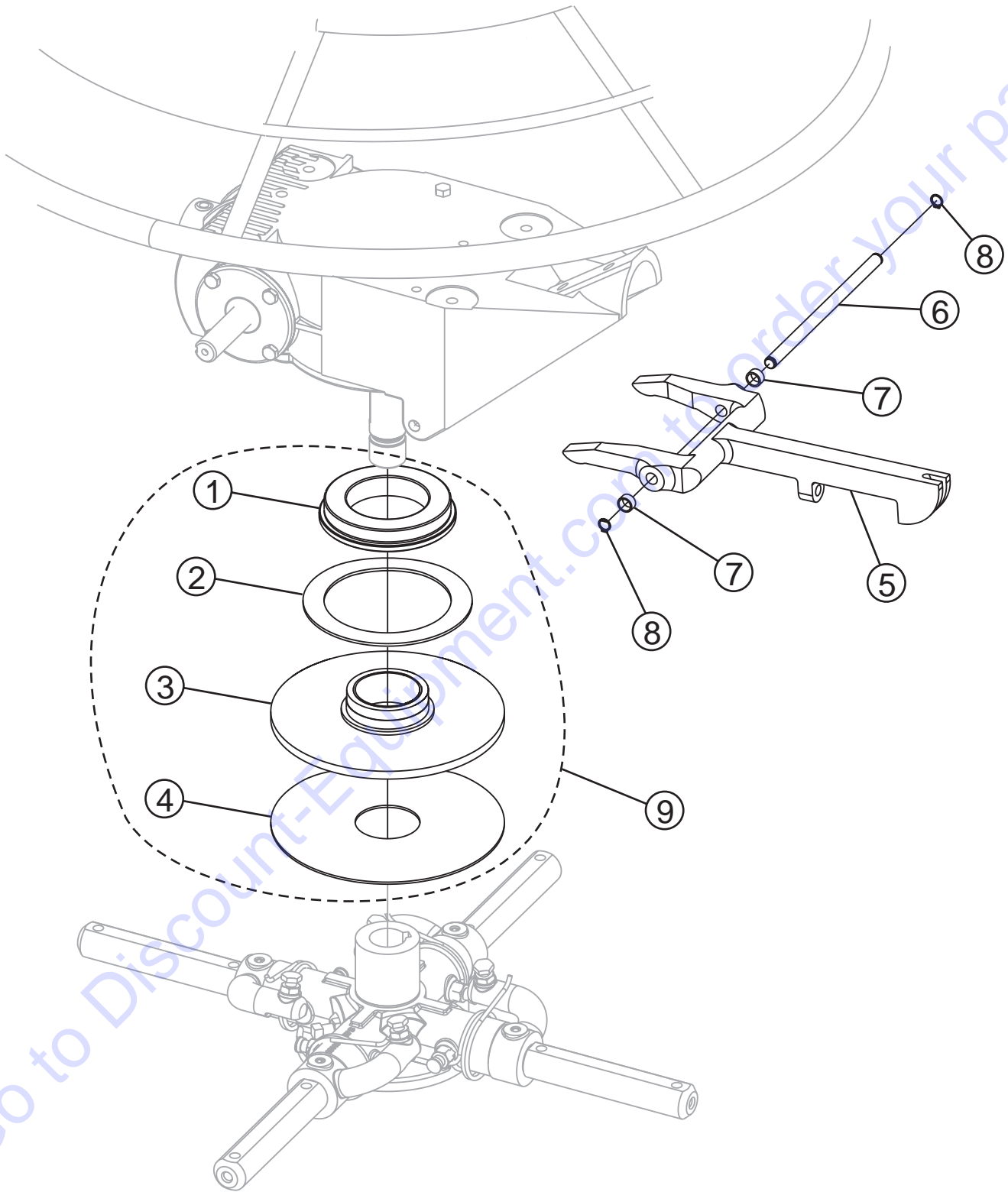
M-30 TROWEL — ENGINE, 5.5 HP HONDA ASSY.

ENGINE, M20 FINISHER 5.5 HP HONDA ASSY.

<u>NO.</u>	<u>PART NO.</u>	<u>PART NAME</u>	<u>QTY.</u>	<u>REMARKS</u>
1	1386	ENGINE, 5.5 HP. HONDA GX160	1	
2	1834	DEFLECTOR, HONDA 5HP EXHAUST	1	
3	1273	SCREW, HHST 8 - 32 X 3/8	2	
4	1488	WIRE, SAFETY SWITCH	1	
5	1475	CONNECTOR, SPLICE TAP	1	
6	21915	SPACER, C M & J LIFTING BALE	1	
7	21927	LIFTING BALE ASSEMBLY	1	
8	12287	SCREW, THP 1/4 - 20 X 3/4 SS	3	
9	0255	CLUTCH ASSEMBLY	1	
10	21140	PULLEY AK-54 X 3/4	1	
11	0627	KEY, SQ 3/16 X 1-1/4	1	
12	30102-001	BELT GUARD	1	
13	21679	SPACER, 1" X .78 X 69L	1	
14	933241	WASHER, FLAT SAE 5/16 GRD 9 YZ	4	
15	12287	SCREW, THP 1/4 - 20 X 3/4 SS	4	
16	1406	END PLUG, CLUTCH	1	
17	21678	SCREW, FHSC 5/16 - 24 X 1-3/4	1	
18	23901-036	V-BELT A27	1	
19	20845	SWIVEL ASSEMBLY	1	

J-36/M-30 TROWEL — THRUST COLLAR AND YOKE ASSY.

THRUST COLLAR AND YOKE ASSY.



J-36/M-30 TROWEL — THRUST COLLAR AND YOKE ASSY.

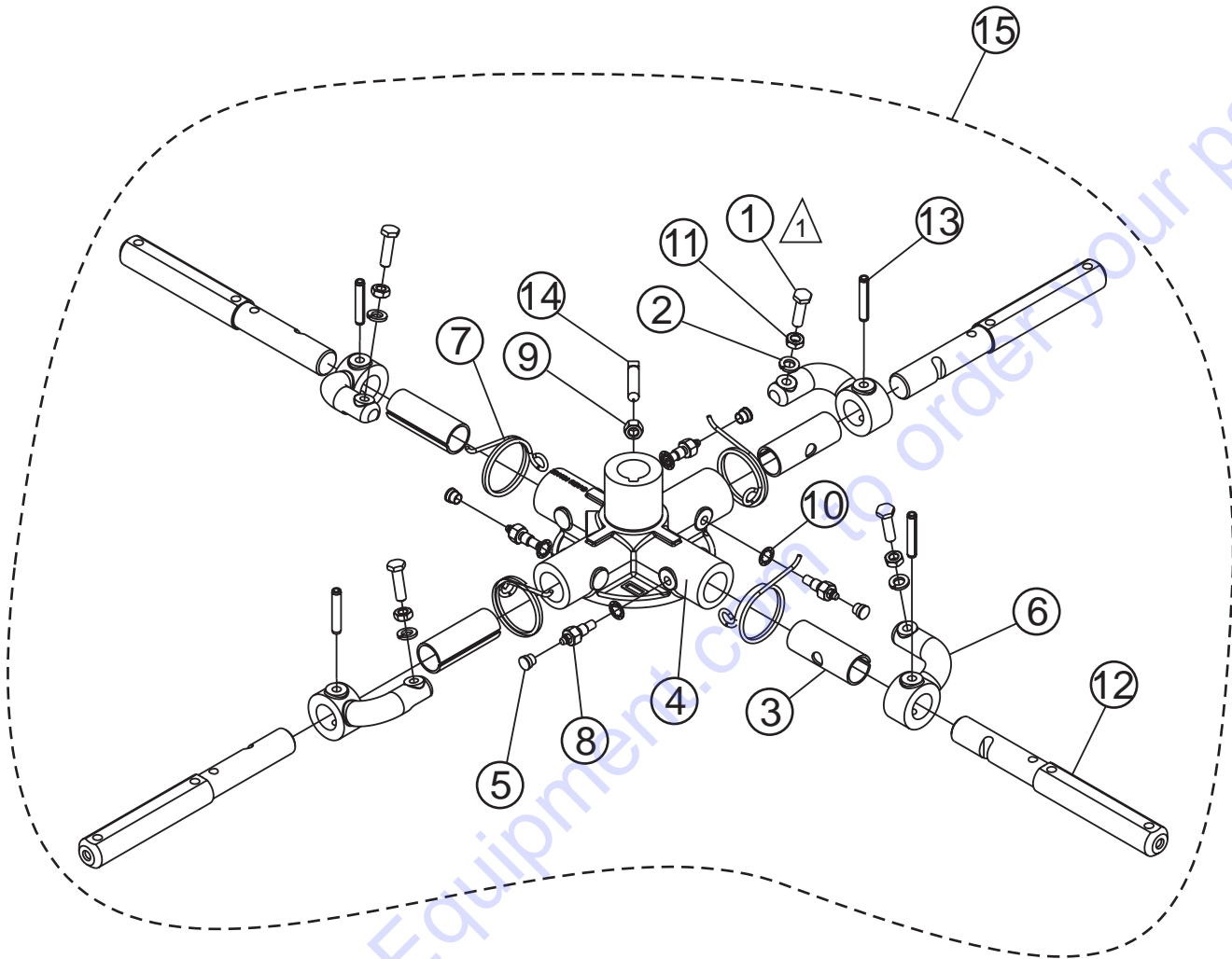
THRUST COLLAR AND YOKE ASSY.

<u>NO.</u>	<u>PART NO.</u>	<u>PART NAME</u>	<u>QTY.</u>	<u>REMARKS</u>
1*	12778	FLANGE (THRUST) BEARING	1	
2*	12208	WEAR RING	1	
3*	10793	THRUST COLLAR WITH BUSHING	1	
4*	1154 A	WEAR PLATE	1	
5	1150	YOKE ARM	1	
6	20801	PIN, YOKE	1	
7	2196	SPACER, 0.5 X 0.402 X .25L	2	
8	20802	RING, SNAP TRUARC 5100-37	2	
9	10968	THRUST BEARING KIT	1	INCLUDES ITEMS W/*

Go to Discount-Equipment.com to order your parts

J-36/M-30 TROWEL — SPIDER ASSY.

SPIDER ASSY.



NOTES:

① APPLY LOCTITE P/N 1477

② SPIDER ASSEMBLY P/N 1215
INCLUDES ALL ITEMS WITHIN OUTLINE.

J-36/M-30 TROWEL — SPIDER ASSY.

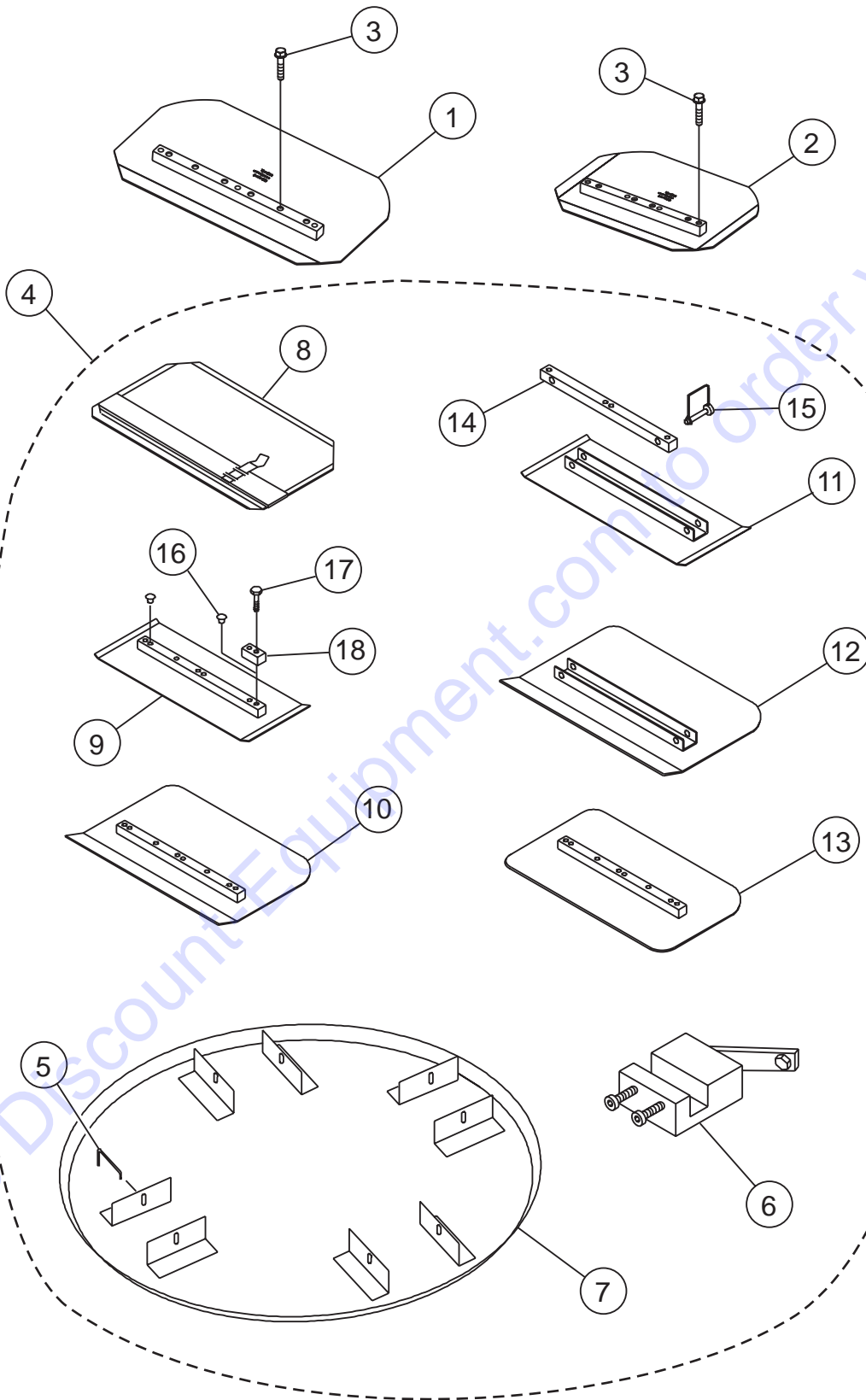
SPIDER ASSY.

<u>NO.</u>	<u>PART NO.</u>	<u>PART NAME</u>	<u>QTY.</u>	<u>REMARKS</u>
1%	0164B	RADIUS HEAD 3/8 - 16	4	FULL THREAD
2%	0166A	LOCK WASHER 3/8 MED	4	
3%	1157A	BUSHING, TROWEL ARM	4	
4%	1161	SPIDER PLATE	1	
5%	1162A	CAP, GREASE ZERK #2 YELLOW	4	
6%	1163	LEVER, TROWEL ARM RIGHT HAND	4	
7%	1316	SPRING, LS J/B ARM RETURN	4	
8%	1322	RETAINING SCREW ASM	4	
9%	1456	NUT, HEX FINISH 3/8-16	1	
10%	1875	WASHER, INT. SHKP. 3/8"	4	
11%	1876	NUT, HEX JAM 3/8 - 16 CLASS 2B	4	
12%	2826	ARM, J FINISHER	4	
13%	4164	ROLL PIN 5/16 x 1-3/4"	4	
14%	12097	SCREW, SQHS 3/8 - 16 X 1-3/4 CONE GRD 8 PLTD	1	
15	1215	SPIDER PLATE ASM	1	INCLUDES ITEMS W/%

Go to Discount-Equipment.com to order your parts

J-36/M-30 TROWEL — BLADES & PAN ASSY.

BLADES & PAN ASSY.



J-36/M-30 TROWEL — BLADES & PAN ASSY.

BLADES & PAN ASSY.

<u>NO.</u>	<u>PART NO.</u>	<u>PART NAME</u>	<u>QTY.</u>	<u>REMARKS</u>
1	0844	TROWEL BLADE, 8 X 14 STANDARD	4	(ALL EXCEPT M3055H)
2	0334	TROWEL BLADE, STANDARD	4	M30H55 ONLY
3	21906	SCREW, HHFS 5/16 - 18 X 1-1/2 GR5	8	ALL
4		BLADE AND PAN ACCESSORIES, ALL		CONTACT UNIT SALES DEPT./ACC. ITEM
5		FLOAT DISC LATCH PIN	4	CONTACT UNIT SALES DEPT./ACC. ITEM
6		TROWEL ARM ADJ. FIXTURE ASM	1	CONTACT UNIT SALES DEPT./ACC. ITEM
7		FLOAT DISC	1	CONTACT UNIT SALES DEPT./ACC. ITEM
8		FLOAT BLADE	4	CONTACT UNIT SALES DEPT./ACC. ITEM
9		FINISH BLADE	4	CONTACT UNIT SALES DEPT./ACC. ITEM
9		ENDURO FINISH BLADE W/ROTATING	4	CONTACT UNIT SALES DEPT./ACC. ITEM
10		COMBO FLOAT & FINISH BLADE	4	CONTACT UNIT SALES DEPT./ACC. ITEM
10		ENDURO COMBO FLOAT & FINISH BLADE	4	CONTACT UNIT SALES DEPT./ACC. ITEM
11		UNIVERSAL FINISH BLADE	4	CONTACT UNIT SALES DEPT./ACC. ITEM
11		ENDURO UNIVERSAL FINISH BLADE	4	CONTACT UNIT SALES DEPT./ACC. ITEM
12		UNIVERSAL COMBO BLADE	4	CONTACT UNIT SALES DEPT./ACC. ITEM
12		ENDURO UNIVERSAL COMBO BLADE	4	CONTACT UNIT SALES DEPT./ACC. ITEM
13		REVERSIBLE COMBO BLADE	4	CONTACT UNIT SALES DEPT./ACC. ITEM
14		UNIVERSAL MOUNTING BAR	4	CONTACT UNIT SALES DEPT./ACC. ITEM
15		SNAP PIN 1/4"X1-3/4"	8	CONTACT UNIT SALES DEPT./ACC. ITEM
16	1434	TROWEL LUG (FINISH BLADE ONLY)	4	
17	0202	HHCS 5/16-18X1" RING	4	
18	0201	GUARD RING LUG RING	4	

PARTS FINDER

**Search Website
by Part Number**



**Search Manual
Library For Parts
Manual & Lookup Part
Numbers – Purchase
or Request Quote**

Search Manuals

Enter your information to help us find the right parts manual for your machine.

* Brand:

* Model:

* Serial:

* Part Number:

SEARCH

**Can't Find Part or
Manual? Request Help
by Manufacturer,
Model & Description**

Parts Order Form

Please fill in the following information to help us find the right part for your machine.

Manufacturer:	<input type="text"/>
Model:	<input type="text"/>
Description:	<input type="text"/>
Part Number:	<input type="text"/>
Quantity:	<input type="text"/>
Notes:	<input type="text"/>
Submit	<input type="button" value="Submit"/>

Discount-Equipment.com is your online resource for quality parts & equipment.

Florida: **561-964-4949** Outside Florida TOLL FREE: **877-690-3101**

Need parts?

Click on this link: <http://www.discount-equipment.com/category/5443-parts/> and choose one of the options to help get the right parts and equipment you are looking for. Please have the machine model and serial number available in order to help us get you the correct parts. If you don't find the part on the website or on one of the online manuals, please fill out the request form and one of our experienced staff members will get back to you with a quote for the right part that your machine needs.

We sell worldwide for the brands: Genie, Terex, JLG, MultiQuip, Mikasa, Essick, Whiteman, Mayco, Toro Stone, Diamond Products, Generac Magnum, Airman, Haulotte, Barreto, Power Blanket, Nifty Lift, Atlas Copco, Chicago Pneumatic, Allmand, Miller Curber, Skyjack, Lull, Skytrak, Tsurumi, Husquvarna Target, Stow, Wacker, Sakai, Mi-T-M, Sullair, Basic, Dynapac, MBW, Weber, Bartell, Bennar Newman, Haulotte, Ditch Runner, Menegotti, Morrison, Contec, Buddy, Crown, Edco, Wyco, Bomag, Laymor, EZ Trench, Bil-Jax, F.S. Curtis, Gehl Pavers, Heli, Honda, ICS/PowerGrit, IHI, Partner, Imer, Clipper, MMD, Koshin, Rice, CH&E, General Equipment, Amida, Coleman, NAC, Gradall, Square Shooter, Kent, Stanley, Tamco, Toku, Hatz, Kohler, Robin, Wisconsin, Northrock, Oztec, Toker TK, Rol-Air, APT, Wylie, Ingersoll Rand / Doosan, Innovatech, Con X, Ammann, Mecalac, Makinex, Smith Surface Prep, Small Line, Wanco, Yanmar