

H800AJ HYBRID

ARTICULATING BOOM LIFT



www.Discount-Equipment.com



Performance

| | | |
|---------------------------|------------------------|------------------------|
| Platform Height | 80 ft | 24.38 m |
| Horizontal Outreach | 51 ft 10 in. | 15.8 m |
| Up and Over Height | 32 ft 1 in. | 9.78 m |
| Swing | 360 Degrees Continuous | |
| Platform Capacity | 500 lb | 227 kg |
| Platform Rotator | 180 Degrees Hydraulic | |
| Jib Range of Articulation | 130 Degrees (+70, -60) | |
| Weight | 35,520 lb | 16,110 kg |
| Drive Speed Lowered | 3.45 mph | 5.55 km/h |
| Drive Speed Elevated | 0.27 mph | 0.43 km/h |
| Gradeability 4WD | 45% | |
| Axle Oscillation | 8 in. | 20.4 cm |
| Ground Bearing Pressure | 76 psi | 5.3 kg/cm ² |
| Turning Radius (2WS) | | |
| Inside | 12 ft 6 in. | 3.8 m |
| Outside | 19 ft 8 in. | 6.02 m |

Standard Specifications

Power Source

| | | |
|-----------------------|---------------------------------|---------|
| Diesel Engine | | |
| Kubota Tier 4 Final | 25 hp | 18.6 kW |
| Motor/Generator Power | 30 hp | 22.3 kW |
| Fuel Tank Capacity | 25 gal. | 94.64 L |
| Batteries | 12V 205 AH Maintenance free AGM | |
| System Voltage | 84V | |
| Battery Quantity | 14 | |

Hydraulic System

| | | |
|-------------------|---------|----------|
| • Capacity | 40 gal. | 151.42 L |
| • Auxiliary Power | 12V DC | |

Tires

| | | |
|------------|--------------------------------|--|
| • Standard | 15-625 Foam Filled | |
| • Optional | 18-625 Foam-Filled | |
| | 18-625 Non Marking Foam Filled | |

Standard Features

- Oscillating Axle
- 180 Degree Hydraulic Platform Rotator
- 110V-AC Receptacle in the Platform
- 5 Degree Tilt Alarm/Indicator Light
- Automatic Engine Idle, Start/Stop
- Automatic Battery Charger in Hybrid Mode
- Electric Only Capability
- Swing-Out Engine Tray
- 12V-DC Auxiliary Power
- Hourmeter
- Horn
- Control ADE® System
- Proportional Controls
- Gull-Wing Engine Hood
- Platform Console Machine Status Light Panel*
- Lifting/Tie Down Lugs
- All Motion Alarm
- Load Sensing System
- SkyGuard SkyLine™
- Glow Plugs (Diesel Engines)

* Provides indicator lights at platform control console for system distress, 5 degree tilt light, and foot switch status.



Accessories & Options

- Fall Arrest Platform, Rear Entry:
36 x 96 in. (0.91 x 2.44 m)
- Self-Closing Gate
- Soft Touch System
- Operator Tool Tray
- 1/2 in. Airline to Platform
- Exhaust Purifier Muffler (Diesel)
- Cold Weather Start Kit²
- Hostile Environment Kit³
- Light Package⁴
- Flashing Amber Beacon
- SkySense™
- Accessory Packages:
 - SkyPower®
 - SkyWelder®

1. Foam-filled tires required.
2. Includes glow plugs (Diesel), battery heater, oil tank heater.
3. Includes console cover, boom wipers and cylinder bellows.
4. Includes head and tail lights, platform worklights and beacon.

Note: Some options may increase lead time, and some option combinations may not be available.

Additional accessories and options available via JLG Aftermarket.

H800AJ HYBRID

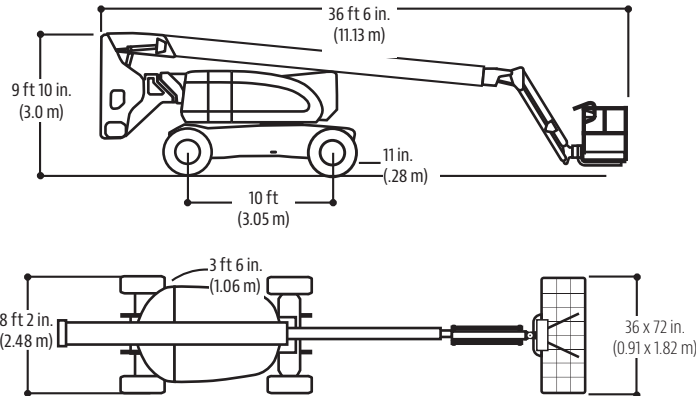
ARTICULATING BOOM LIFT



Dimensions

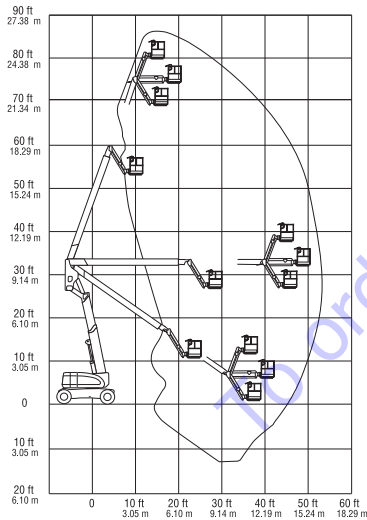
All dimensions are approximate.

H800AJ



Reach Diagram

H800AJ



The JLG "1 & 5" Warranty

We provide coverage for one (1) full year, and cover all specified major structural components for five (5) years. Due to continuous product improvements, we reserve the right to make specification and/or equipment changes without prior notification. This machine meets or exceeds applicable ANSI and CSA requirements based on machine configuration as originally manufactured for intended applications. Please reference the serial number plate on the machine for additional information.

Part No.: 3131123
R1219_A92.20
Printed in USA



www.Discount-Equipment.com