

# PARTS MANUAL



## **MODEL J36E2 WALK-BEHIND TROWEL (2 HP 230 VAC ELECTRIC MOTOR)**

**S/N LE0118040 AND ABOVE**

Revision #3 (11/19/19)



THIS MANUAL MUST ACCOMPANY THE EQUIPMENT AT ALL TIMES.

**PN: 30572**

# PARTS FINDER

**Search Website  
by Part Number**



**Search Manual  
Library For Parts  
Manual & Lookup Part  
Numbers – Purchase  
or Request Quote**

**Search Manuals**

Enter your information to search for a manual or to purchase a manual or parts.

\* Brand:

\* Model:

\* Serial:

\* Part Number:

SEARCH

**Can't Find Part or  
Manual? Request Help  
by Manufacturer,  
Model & Description**

**Parts Order Form**

Please fill in the following information:

Manufacturer:

Model:

Description:

Quantity:

Part Number:

Part Name:

Part Description:

Part Category:

Part Location:

Part Status:

Part Color:

Part Material:

Part Weight:

Part Dimensions:

Part Price:

Part Availability:

Part Lead Time:

Part Notes:

Submit

Discount-Equipment.com is your online resource for quality parts & equipment.

Florida: **561-964-4949** Outside Florida TOLL FREE: **877-690-3101**

**Need parts?**

Click on this link: <http://www.discount-equipment.com/category/5443-parts/> and choose one of the options to help get the right parts and equipment you are looking for. Please have the machine model and serial number available in order to help us get you the correct parts. If you don't find the part on the website or on one of the online manuals, please fill out the request form and one of our experienced staff members will get back to you with a quote for the right part that your machine needs.

We sell worldwide for the brands: Genie, Terex, JLG, MultiQuip, Mikasa, Essick, Whiteman, Mayco, Toro Stone, Diamond Products, Generac Magnum, Airman, Haulotte, Barreto, Power Blanket, Nifty Lift, Atlas Copco, Chicago Pneumatic, Allmand, Miller Curber, Skyjack, Lull, Skytrak, Tsurumi, Husquvarna Target, Stow, Wacker, Sakai, Mi-T-M, Sullair, Basic, Dynapac, MBW, Weber, Bartell, Bennar Newman, Haulotte, Ditch Runner, Menegotti, Morrison, Contec, Buddy, Crown, Edco, Wyco, Bomag, Laymor, EZ Trench, Bil-Jax, F.S. Curtis, Gehl Pavers, Heli, Honda, ICS/PowerGrit, IHI, Partner, Imer, Clipper, MMD, Koshin, Rice, CH&E, General Equipment, Amida, Coleman, NAC, Gradall, Square Shooter, Kent, Stanley, Tamco, Toku, Hatz, Kohler, Robin, Wisconsin, Northrock, Oztec, Toker TK, Rol-Air, APT, Wylie, Ingersoll Rand / Doosan, Innovatech, Con X, Ammann, Mecalac, Makinex, Smith Surface Prep, Small Line, Wanco, Yanmar

# TABLE OF CONTENTS

## J36E2 Electric Walk-Behind Trowel

Table of Contents.....	2
Explanation of Code in Remarks Column.....	4
Suggested Spare Parts .....	5

## Component Drawings

Nameplate and Decals .....	6-7
Control and Handle Assembly .....	8-9
Switch and Conduit Assembly .....	10-11
Guard Ring Assembly.....	12-13
Gearbox Assembly .....	14-15
Spider Assembly.....	16-17
Electric Motor Assembly .....	18-19
Blade Assembly.....	20-21

### NOTICE

Specifications and part numbers are subject to change without notice.

# EXPLANATION OF CODE IN REMARKS COLUMN

The following section explains the different symbols and remarks used in the Parts section of this manual. Use the help numbers found on the back page of the manual if there are any questions.

## NOTICE

The contents and part numbers listed in the parts section are subject to change **without notice**. Multiquip does not guarantee the availability of the parts listed.

## SAMPLE PARTS LIST

NO.	PART NO.	PART NAME	QTY.	REMARKS
1	12345	BOLT .....	1	INCLUDES ITEMS W/%
2%		WASHER, 1/4 IN. ....		NOT SOLD SEPARATELY
2%	12347	WASHER, 3/8 IN. ...	1	MQ-45T ONLY
3	12348	HOSE .....	A/R	MAKE LOCALLY
4	12349	BEARING .....	1	S/N 2345B AND ABOVE

## NO. Column

**Unique Symbols** — All items with same unique symbol (@, #, +, %, or >) in the number column belong to the same assembly or kit, which is indicated by a note in the “Remarks” column.

**Duplicate Item Numbers** — Duplicate numbers indicate multiple part numbers, which are in effect for the same general item, such as different size saw blade guards in use or a part that has been updated on newer versions of the same machine.

## NOTICE

When ordering a part that has more than one item number listed, check the remarks column for help in determining the proper part to order.

## PART NO. Column

**Numbers Used** — Part numbers can be indicated by a number, a blank entry, or TBD.

TBD (To Be Determined) is generally used to show a part that has not been assigned a formal part number at the time of publication.

A blank entry generally indicates that the item is not sold separately or is not sold by Multiquip. Other entries will be clarified in the “Remarks” Column.

## QTY. Column

**Numbers Used** — Item quantity can be indicated by a number, a blank entry, or A/R.

A/R (As Required) is generally used for hoses or other parts that are sold in bulk and cut to length.

A blank entry generally indicates that the item is not sold separately. Other entries will be clarified in the “Remarks” Column.

## REMARKS Column

Some of the most common notes found in the “Remarks” Column are listed below. Other additional notes needed to describe the item can also be shown.

**Assembly/Kit** — All items on the parts list with the same unique symbol will be included when this item is purchased.

Indicated by:

“INCLUDES ITEMS W/(unique symbol)”

**Serial Number Break** — Used to list an effective serial number range where a particular part is used.

Indicated by:

“S/N XXXXX AND BELOW”

“S/N XXXX AND ABOVE”

“S/N XXXX TO S/N XXX”

**Specific Model Number Use** — Indicates that the part is used only with the specific model number or model number variant listed. It can also be used to show a part is NOT used on a specific model or model number variant.

Indicated by:

“XXXXX ONLY”

“NOT USED ON XXXX”

**“Make/Obtain Locally”** — Indicates that the part can be purchased at any hardware shop or made out of available items. Examples include battery cables, shims, and certain washers and nuts.

**“Not Sold Separately”** — Indicates that an item cannot be purchased as a separate item and is either part of an assembly/kit that can be purchased, or is not available for sale through Multiquip.

## SUGGESTED SPARE PARTS

---

### J36E2 WALK-BEHIND TROWEL WITH ELECTRIC 2 HP MOTOR

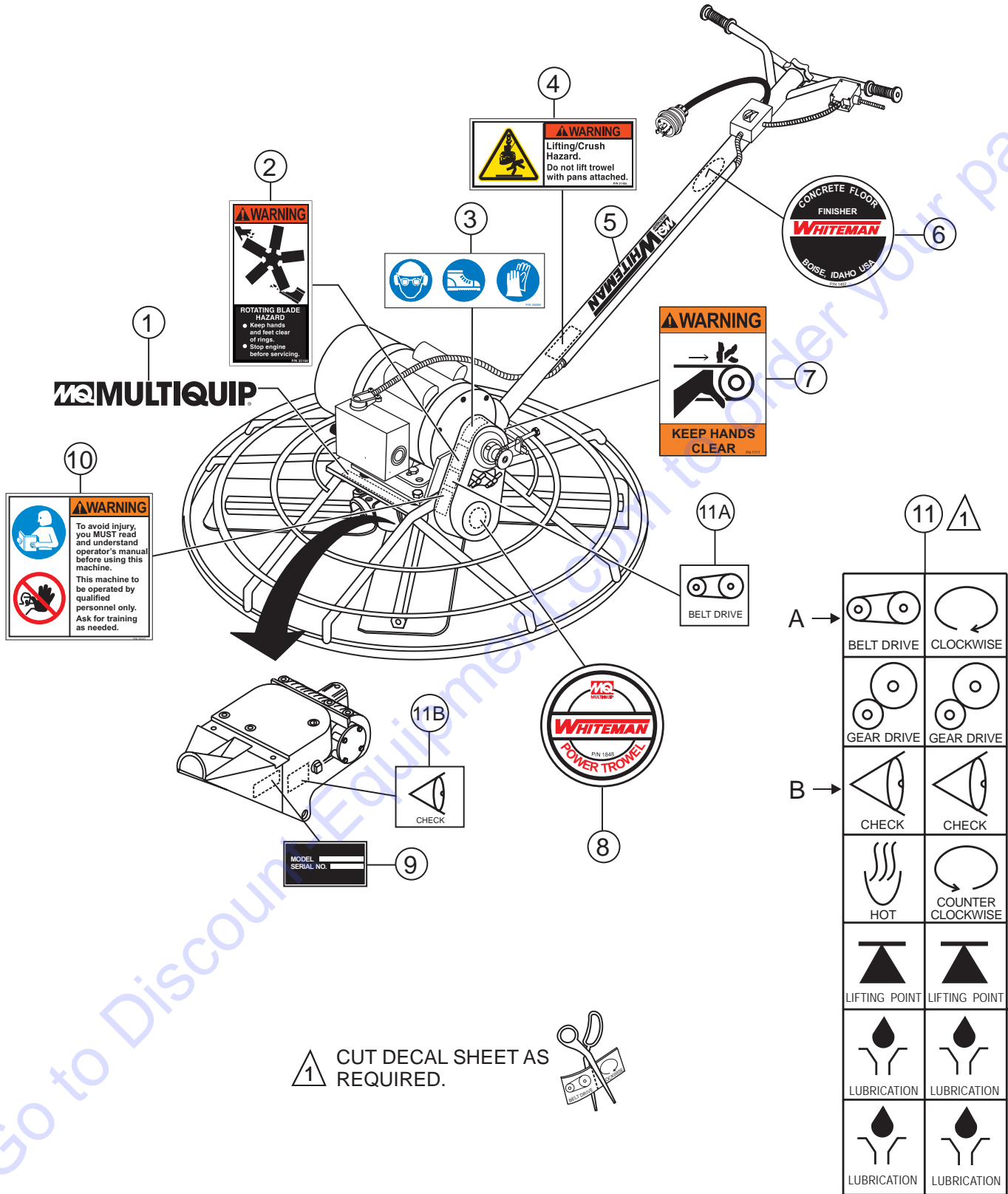
#### 1 to 3 Units

Qty.	P/N	Description
2.....	4634.....	GRIP, HANDLE
1.....	21046.....	GASKET/SEAL KIT
1.....	21047.....	BEARING KIT
1.....	1115.....	PITCH CABLE
1.....	10968.....	THRUST BEARING KIT
1.....	10793.....	THRUST COLLAR
1.....	1154 A.....	WEAR PLATE
2.....	22622.....	V-BELT, AP22
2.....	20111.....	BOTTLE, SYNTHETIC OIL, 22 OZ.

#### NOTICE

Part numbers on this Suggested Spare Parts list may supersede/replace the part numbers shown in the following parts lists.

# NAMEPLATE AND DECALS



A →		
	BELT DRIVE	CLOCKWISE
B →		
	GEAR DRIVE	GEAR DRIVE
11		
	CHECK	CHECK
11		
	HOT	COUNTER CLOCKWISE
11		
	LIFTING POINT	LIFTING POINT
11		
	LUBRICATION	LUBRICATION
11		
	LUBRICATION	LUBRICATION

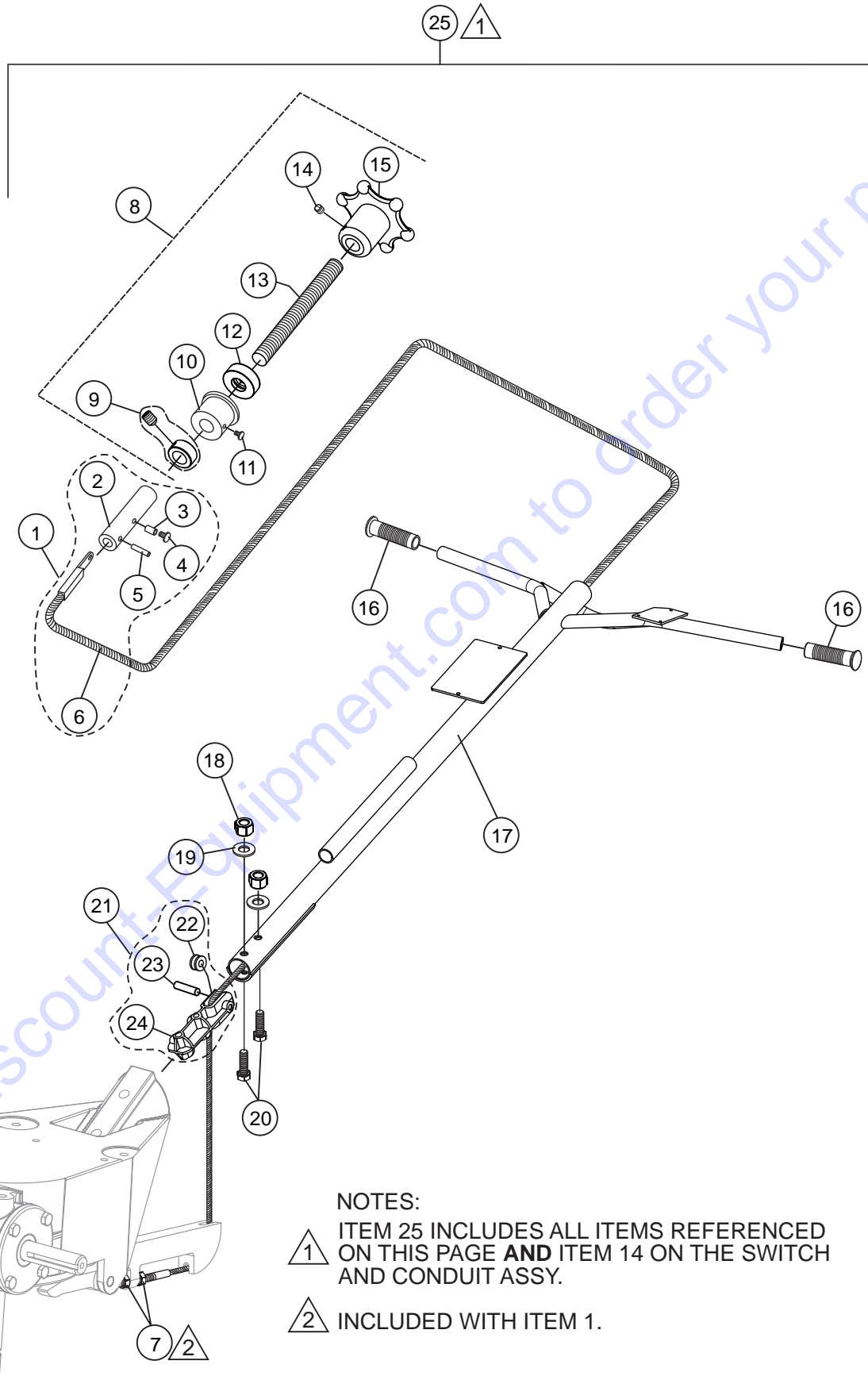
DECAL SHEET  
INTL STDS ISO  
P/N 11246

## NAMEPLATE AND DECALS

<u>NO.</u>	<u>PART NO.</u>	<u>PART NAME</u>	<u>QTY.</u>	<u>REMARKS</u>
1	20816	DECAL: MQ LOGO, .80 X 6	1	
2	35168	DECAL: WARNING BLADE RISK	1	
3	36099	DECAL: ISO HELMET, SHOE, AND GLOVE	1	
4	21455	DECAL: WARNING, LIFT/CRUSH HAZARD	1	
5	20816	DECAL: MQ WHITEMAN LOGO, 13" WHITE	1	
6	1492	DECAL: CUSTOM 2-1/2" CHROME, WHITEMAN	1	
7	21302	DECAL: WARNING, KEEP HANDS CLEAR	1	
8	1848	DECAL: V-BELT COVER	1	
9		NAMEPLATE.....	1	.....CONTACT DISCOUNT-EQUIPMENT
10	35137	DECAL: WARNING, READ MANUAL	1	
11	11246	DECAL: SET, INTERNATIONAL STDS.	1	

Go to Discount-Equipment.com to order your parts

# CONTROL AND HANDLE ASSY.



**NOTES:**

△ 1 ITEM 25 INCLUDES ALL ITEMS REFERENCED ON THIS PAGE **AND** ITEM 14 ON THE SWITCH AND CONDUIT ASSY.

△ 2 INCLUDED WITH ITEM 1.



## CONTROL AND HANDLE ASSY.

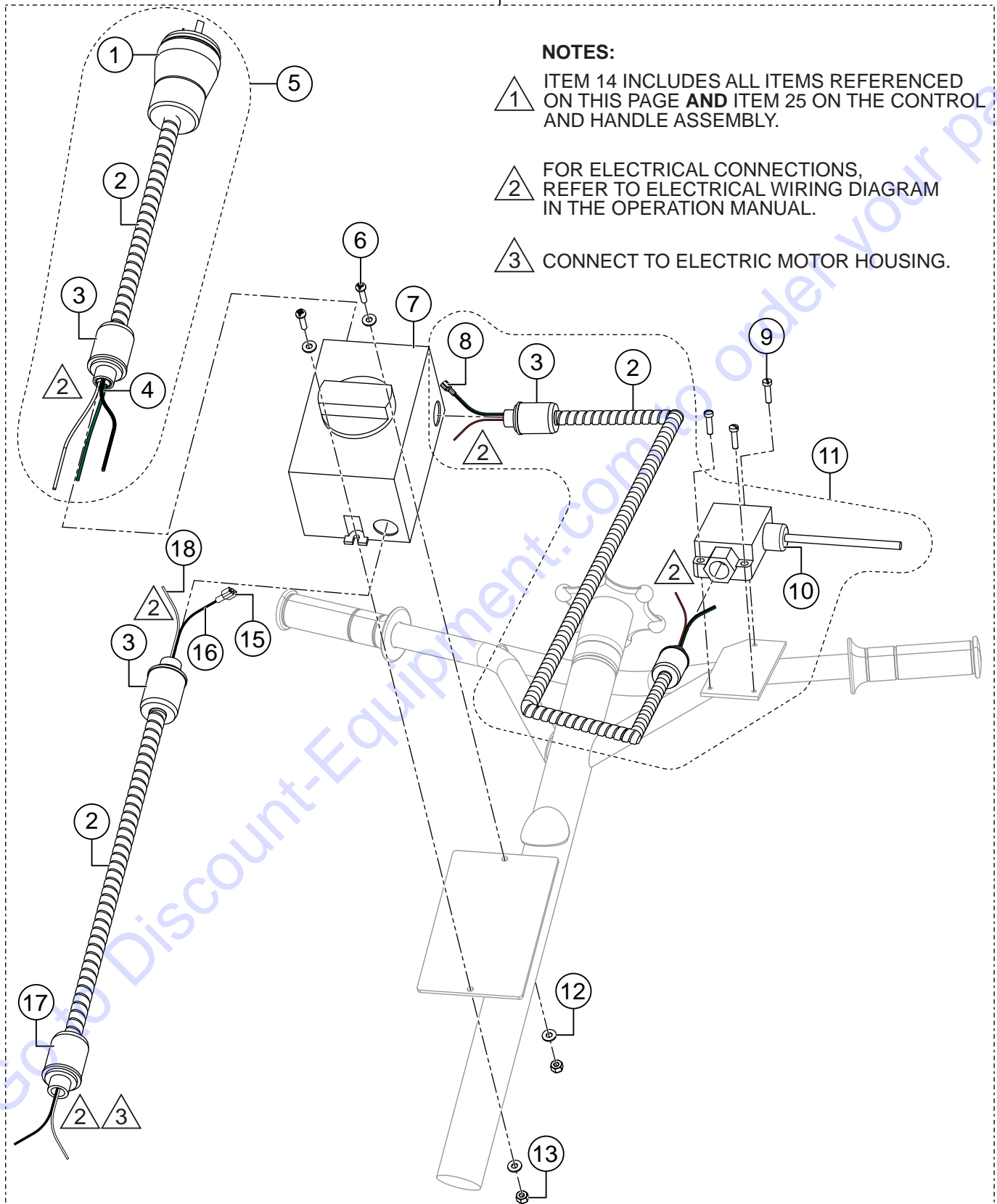
<b>NO.</b>	<b>PART NO.</b>	<b>PART NAME</b>	<b>QTY.</b>	<b>REMARKS</b>
1@	1112	SLIDE BLOCK AND CABLE ASSY.....	1.....	INCLUDES ITEMS W/#
2#@	1113	BLOCK, SLIDE	1	
3#@	0786A	SPACER	1	
4#@	0786	SCREW, BHC 1/4-20 X 3/8" NYL PATCH, NP	1	
5#@	1114	ROLL PIN 5/32" X 1-3/8"	1	
6#@	1115	PITCH CONTROL CABLE ASSY., 47.25"	1	
7#@	1116	BRASS JAM NUT 5/16-18	2	
8@	1110	CONTROL, TROWEL ASSY. ....	1.....	INCLUDES ITEMS W/%
9%@	3615	SET COLLAR (W/ SET SCREW)	1	
10%@	1111	BEARING	1	
11%@	0786	SCREW, BHC 1/4-20 X 3/8" NYL PATCH, NP	1	
12%@	0281	BEARING	1	
13%@	1478	TROWEL CONTROL SHAFT	1	
14%@	0122 C	SCREW, SHS 3/8-16 X 1/2"	1	
15%@	20817	WHEEL, HAND PITCH CONTROL	1	
16@	4634	HANDLE GRIP	2	
17@	30655	HANDLE	1	
18@	10133	LOCK NUT 3/8-16	2	
19@	10136	FLAT WASHER 3/8"	2	
20@	1121	SCREW, HHCS 3/8-16 X 2-3/4"	2	
21@	1117	BLOCK, SUPPORT ASSY.....	1.....	INCLUDES ITEMS W/\$
22\$@	1118	PULLEY, PITCH CABLE	1	
23\$@	1119	PIN, SUPPORT BLOCK	1	
24\$@	B1790	BLOCK, SUPPORT	1	
25	30254	HANDLE ASSY., ELECTRIC FINISHER.....	1.....	INCLUDES ITEMS W/@

### NOTICE

ITEM 25 INCLUDES ALL ITEMS REFERENCED ON THIS PAGE AND ITEM 14 ON THE SWITCH AND CONDUIT ASSY.

# SWITCH AND CONDUIT ASSY.

14 1



## NOTES:

1 ITEM 14 INCLUDES ALL ITEMS REFERENCED ON THIS PAGE AND ITEM 25 ON THE CONTROL AND HANDLE ASSEMBLY.

2 FOR ELECTRICAL CONNECTIONS, REFER TO ELECTRICAL WIRING DIAGRAM IN THE OPERATION MANUAL.

3 CONNECT TO ELECTRIC MOTOR HOUSING.

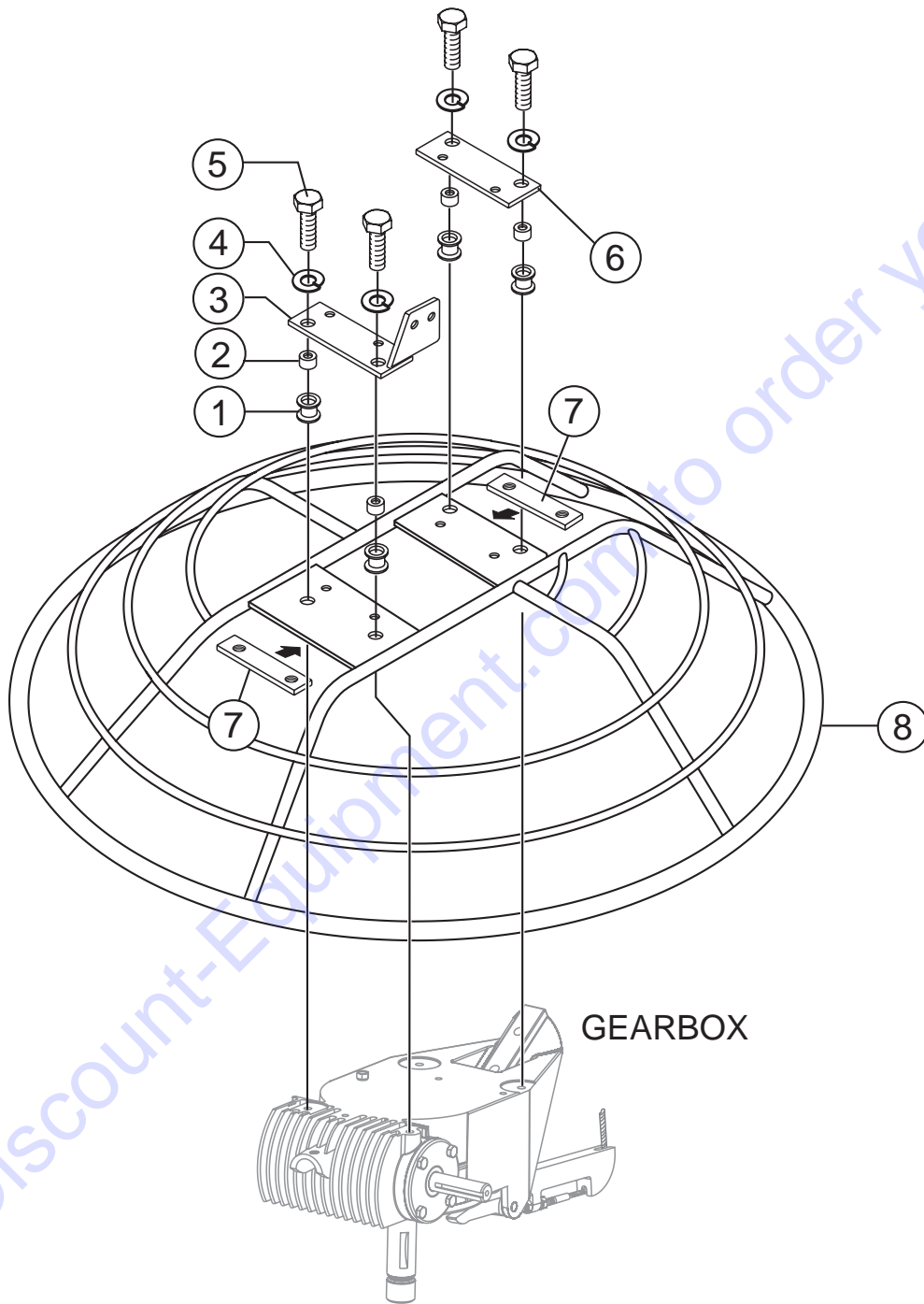
## SWITCH AND CONDUIT ASSY.

<b>NO.</b>	<b>PART NO.</b>	<b>PART NAME</b>	<b>QTY.</b>	<b>REMARKS</b>
1@#	30719	PLUG, 20A/250V 2P/3W NEMA L6-20P	1	
2@#+	60143	CONDUIT, 1/2, LFNC-B, NON-METALLIC.....	5.95.....	1PC=1FT
3@#+	30715	CONNECTOR, PUSH-ON, LIQUID TIGHT, 1/2" NYLON	4	
4@#	60142	CABLE, SJOOW, 12/3 AWG.....	1.54.....	1PC=1FT
5#	30718	PIG TAIL ASSY., 230V .....	1 .....	INCLUDESITEMSW/@
6#	8133	SCREW, PHP 10-32 X 3/4"	2	
7#	30713	SWITCH, DISCONNECT, ENCLOSED, 3 POLE 30A	1	
8#+	30716	TERMINAL, PUSH, FEMALE INSUL 12-10 AWG	1	
9#	5044 A	SCREW, FLHSL 10-32 X 3/4"	3	
10#+	1268	SWITCH, MICRO	1	
11#	30712	MICROSWITCH ASSY., ELECTRIC FINISHER.....	1 .....	INCLUDESITEMSW/+
12#	2203	WASHER, FLAT, #10	4	
13#	10019	NUT, NYLOC 10-32	2	
14	30254	HANDLE ASSY., ELECTRIC FINISHER.....	1 .....	INCLUDESITEMSW/#
15#	30717	TERMINAL, PUSH, MALE, INSUL 12-10 AWG	1	
16#	60136	WIRE, UL STYLE 1015, 12 AWG BLACK .....	4.5.....	1PC=1FT
17#	30722	CONNECTOR, PUSH-ON, LIQUID TIGHT, 1/2" ZINC	1	
18#	60138	WIRE, UL STYLE 1015, 12 AWG WHITE.....	4.5.....	1PC=1FT

### NOTICE

ITEM 14 INCLUDES ALL ITEMS REFERENCED ON THIS PAGE AND ITEM 25 ON THE CONTROL AND HANDLE ASSY.

# GUARD RING ASSY.



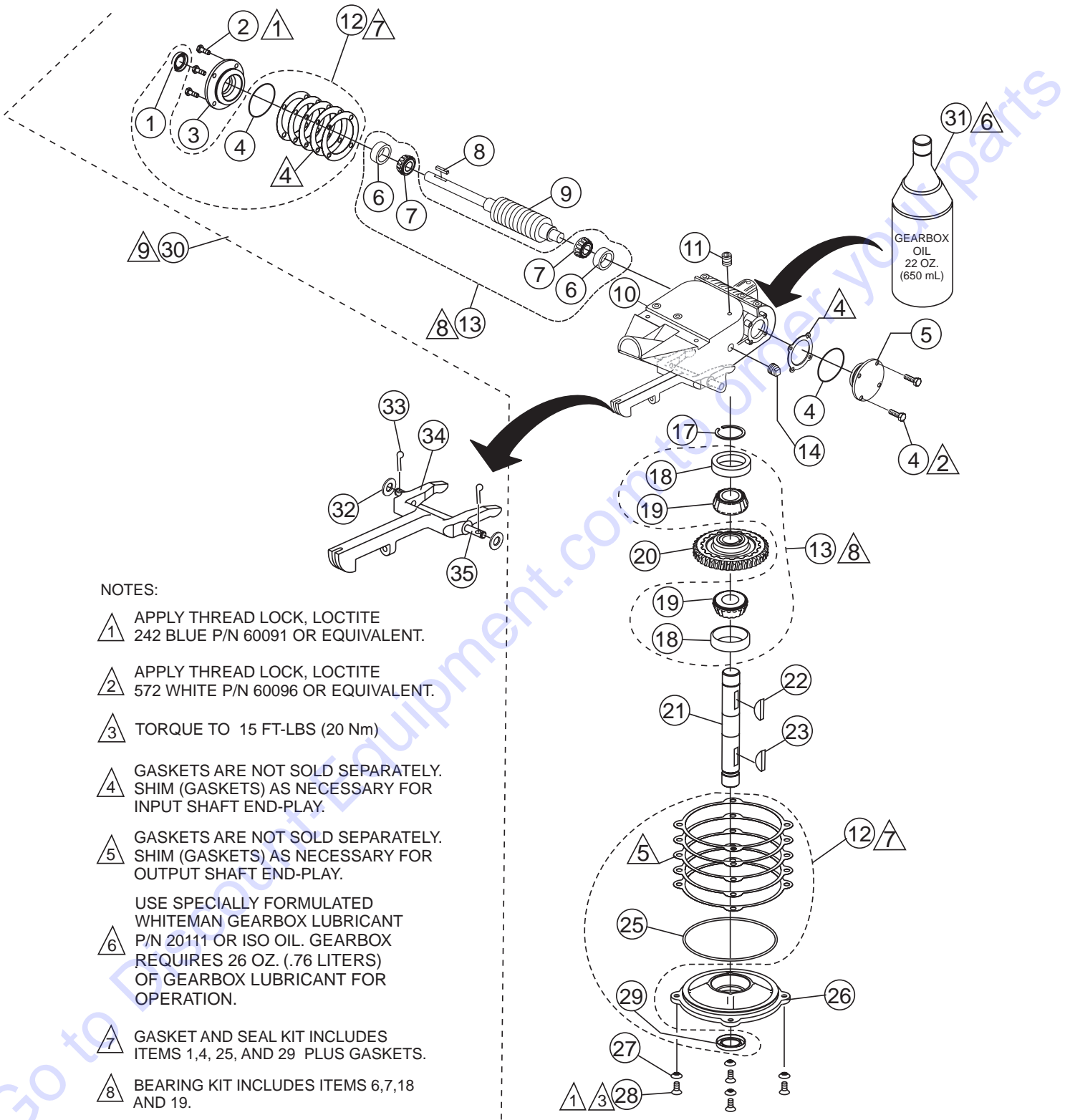
## GUARD RING ASSY.

---

<u>NO.</u>	<u>PART NO.</u>	<u>PART NAME</u>	<u>QTY.</u>	<u>REMARKS</u>
1	1247	GROMMET	4	
2	1245	SPACER	4	
3	1959	PLATE, FRONT MOUNT	1	
4	0166 A	WASHER, LOCK, 3/8" MED.	4	
5	9154	SCREW, HHCS 3/8-16 X 1-3/4"	4	
6	1946	PLATE, REAR MOUNT	1	
7	1816	PLATE	2	
8	2274	STATIONARY GUARD RING	1	

Go to Discount-Equipment.com to order your parts

# GEARBOX ASSY.



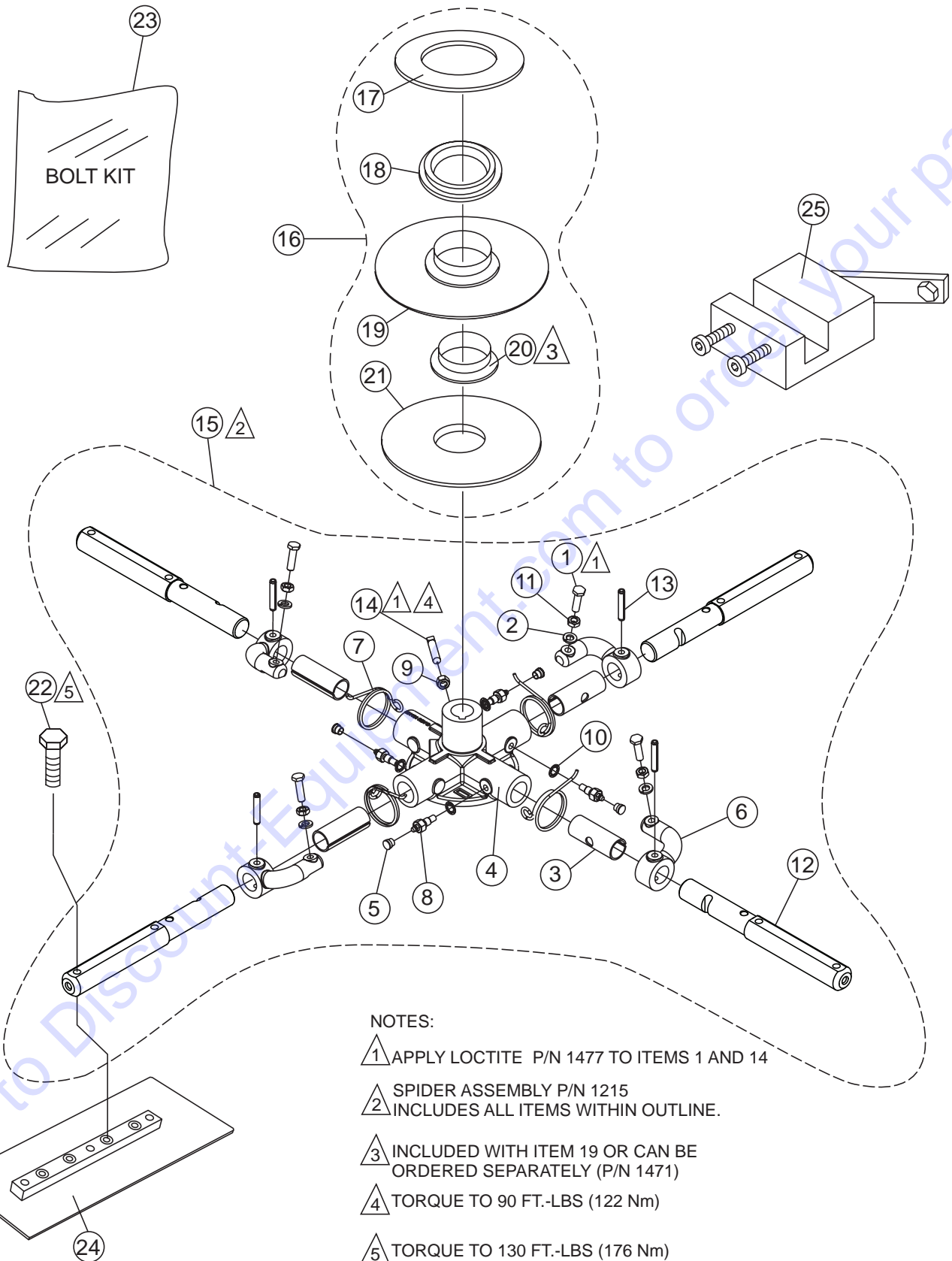
**NOTES:**

- ▲ 1 APPLY THREAD LOCK, LOCTITE 242 BLUE P/N 60091 OR EQUIVALENT.
- ▲ 2 APPLY THREAD LOCK, LOCTITE 572 WHITE P/N 60096 OR EQUIVALENT.
- ▲ 3 TORQUE TO 15 FT-LBS (20 Nm)
- ▲ 4 GASKETS ARE NOT SOLD SEPARATELY. SHIM (GASKETS) AS NECESSARY FOR INPUT SHAFT END-PLAY.
- ▲ 5 GASKETS ARE NOT SOLD SEPARATELY. SHIM (GASKETS) AS NECESSARY FOR OUTPUT SHAFT END-PLAY.
- ▲ 6 USE SPECIALLY FORMULATED WHITEMAN GEARBOX LUBRICANT P/N 20111 OR ISO OIL. GEARBOX REQUIRES 26 OZ. (.76 LITERS) OF GEARBOX LUBRICANT FOR OPERATION.
- ▲ 7 GASKET AND SEAL KIT INCLUDES ITEMS 1,4, 25, AND 29 PLUS GASKETS.
- ▲ 8 BEARING KIT INCLUDES ITEMS 6,7,18 AND 19.
- ▲ 9 GEARBOX ASSEMBLY ITEM 30, INCLUDES ITEMS WITHIN DASHED LINE EXCEPT ITEMS 12,13 AND 31

## GEARBOX ASSY.

<u>NO.</u>	<u>PART NO.</u>	<u>PART NAME</u>	<u>QTY.</u>	<u>REMARKS</u>
1%\$	0753	SEAL, OIL	1	
2%	0131 A	SCREW, HHC 1/4-20 X 3/4"	4	
3%	12876	FLANGE, INPUT SHAFT	1	
4%\$	2308	O-RING, SIZE-2	1	
5%	1136	CAP, COUNTERSHAFT END	1	
6%#	0735 A	BEARING, CUP, TIMKEN #A6157	2	
7%#	0735	BEARING, CONE, TIMKEN #A6075	2	
8%	0627	KEY, SQUARE 3/16" X 1-1/4"	1	
9%	1828	GEAR, WORM "J" INPUT SHAFT	1	
10%	1131	CASE, WORM GEAR	1	
11%	1132	VENT, AIR , 1/8" PTF SAE SPL SHORT	1	
12	2614	GASKET/SEAL KIT.....	1	INCLUDES ITEMS W/\$
13	2617	BEARING KIT.....	1	INCLUDES ITEMS W/#
14%	0121 A	FITTING PLUG 3/8" MP SQ HD PLATED	2	
17%	1138	RING, SNAP, TRUARC 5100-112	1	
18%#	0232 A	BEARING, CUP 2-5/16" O.D.	2	
19%#	0232	BEARING, TAPERED ROLLER 1.125 L.	2	
20%	1202	GEAR, WORM RH COMPOSITE FIN	1	
21%	2440	SHAFT, OUTPUT 1.126 DIA. x 7.77 HD	1	
22%	1139	KEY, WOODRUFF #810	1	
23%	1238	KEY, WOODRUFF #25	1	
25%\$	1143	O-RING, SIZE-254 BUNA-N	1	
26%	1145	COVER, GEARBOX	1	
28%	20875	SCREW, FHSC 5/16-18 X 3/4"	4	
29%\$	0254	SEAL, OIL	1	
30	1200	GEARBOX ASSY., W/OIL .....	1	INCLUDES ITEMS W/%
31	20111	BOTTLE, SYNTHETIC OIL, 22 OZ. (650 ML)	2	
32	10136	WASHER, FLAT SAE 3/8"	2	
33	0683	PIN, COTTER 3/32" D X 3/4" L.	2	
34	1150	YOKE ARM	1	
35	1151	PIN, YOKE ARM	1	

# SPIDER ASSY.

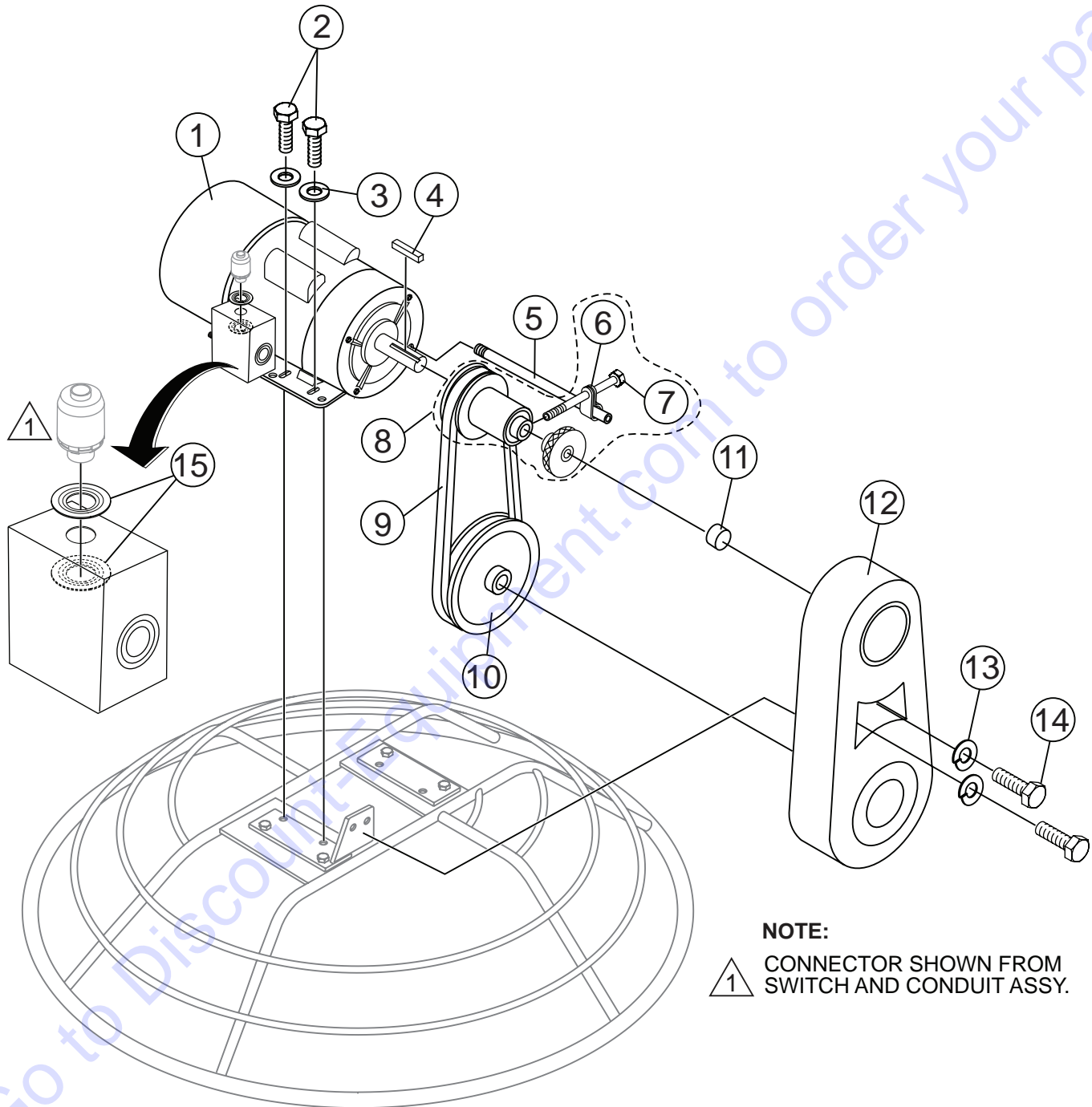




## SPIDER ASSY.

<u>NO.</u>	<u>PART NO.</u>	<u>PART NAME</u>	<u>QTY.</u>	<u>REMARKS</u>
1%	0164 B	SCREW, HHC ROUNDED 3/8-16" SPCL	4	
2%	0166 A	LOCK WASHER 3/8" MED.	4	
3%	1157 A	BUSHING, TROWEL ARM	4	
4%	1161-1	SPIDER PLATE, SILVER	1	
5%	1162 A	CAP, GREASE ZERK #2 YELLOW	4	
6%	1163-1	LEVER, TROWEL ARM RH, SILVER	4	
7%	1316	SPRING, LS ARM RETURN	4	
8%	1322	RETAINING SCREW ASSY.	4	
9%	1456	NUT, HEX FINISH 3/8-16	1	
10%	1875	WASHER, INT. SHKP. 3/8"	4	
11%	1876	NUT, HEX JAM 3/8-16 CLASS 2B	4	
12%	2826	ARM, TROWEL, J, 9-3/4", RAW	4	
13%	4164	ROLL PIN 5/16" X 1-3/4"	4	
14%	12097	SCREW, SQHS 3/8 -16 X 1-3/4" CONE GRD 8	1	
15	1215	SPIDER PLATE ASSY.....	1	INCLUDES ITEMS W/%
16	10968	THRUST BEARING KIT.....	1	INCLUDES ITEMS W/\$
17\$	12208	WEAR RING	1	
18\$	12778	FLANGE BEARING	1	
19\$	10793	THRUST COLLAR .....	1	INCLUDES ITEMS W/#
20\$#	1471	THRUST COLLAR BUSHING	1	
21\$	1154 A	WEAR PLATE	1	
22@	21906	SCREW, HHCS 5/16-18 X 1-3/4"	12	
23	23647	KIT, BOLT SAE BLADE.....	1	INCLUDES ITEMS W/@
24		BLADE ASSEMBLY .....	4	CONTACT DISCOUNT-EQUIPMENT
25	1817	TOOL, TROWEL ARM ADJUST. FIXTURE	1	

# ELECTRIC MOTOR ASSY.



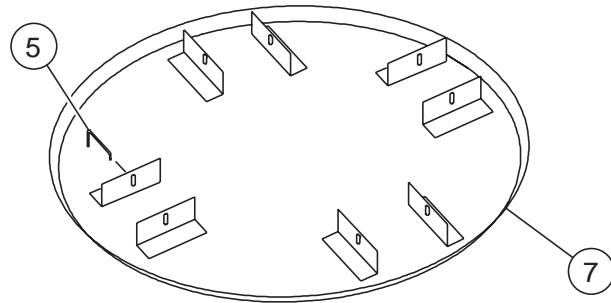
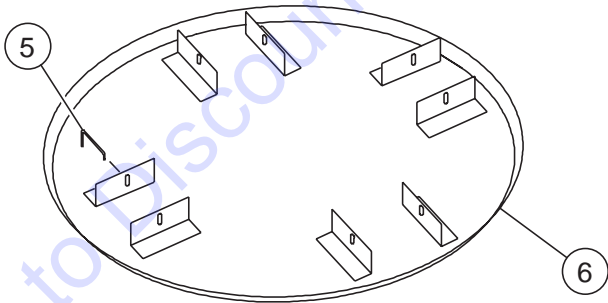
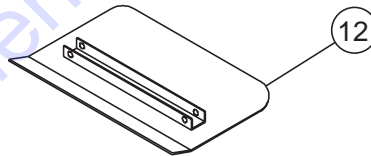
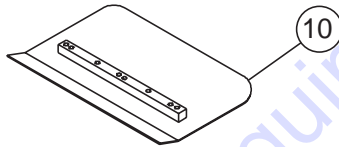
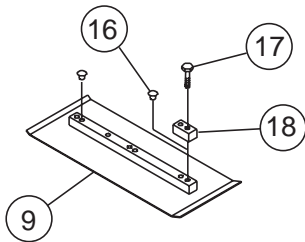
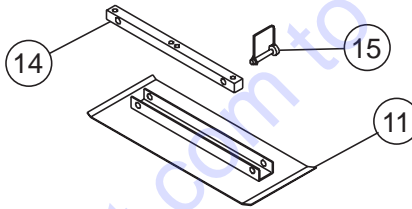
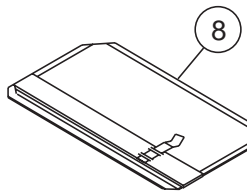
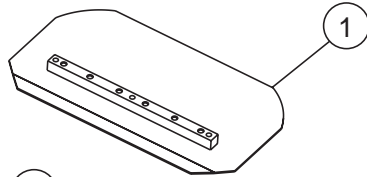
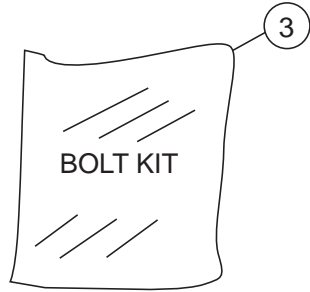
**NOTE:**

△ 1 CONNECTOR SHOWN FROM SWITCH AND CONDUIT ASSY.

## ELECTRIC MOTOR ASSY.

<u>NO.</u>	<u>PART NO.</u>	<u>PART NAME</u>	<u>QTY.</u>	<u>REMARKS</u>
1	1860	ELECTRIC MOTOR 2HP	1	
2	21247	SCREW, HHC 5/16-24 X 1/2"	4	
3	933241	WASHER, FLAT SAE 5/16" GRD 9 YZ	4	
4	0627	SQUARE KEY 3/16" X 3/16" X 1-1/4"	1	
5	10952	ROD, TORQUE ANCHOR, 50HZ	1	
6#		ROD HOLDER SUPPORT CLAMP .....	1	NOT SOLD SEPARATELY
7#		BOLT .....	1	NOT SOLD SEPARATELY
8	1909	PULLEY, DRIVE, MCV-30 X 5/8" .....	1	INCLUDES ITEMS W/#
9	22622	BELT, AP22	1	
10	1910	PULLEY, DRIVEN, 40-TBR X 3/4"	1	
11	1867	PLUG, ELECTRIC MOTOR, 5/8 X .90	1	
12	1923	GUARD, BELT	1	
13	0181 B	WASHER, LOCK 1/4" MEDIUM	2	
14	0131 A	SCREW, HHC 1/4-20 X 3/4"	2	
15	30575	WASHER, REDUCING, CONDUIT 1-1/2"	2	

# BLADE ASSY.



## BLADE ASSY.

<u>NO.</u>	<u>PART NO.</u>	<u>PART NAME</u>	<u>QTY.</u>	<u>REMARKS</u>
1	C844	TROWEL BLADE, 8" X 14", COMBO .....	4.....	CONTACT DISCOUNT-EQUIPMENT
2	F900	TROWEL BLADE, 8" X 14", FINISH .....	4.....	CONTACT DISCOUNT-EQUIPMENT
3	23647	KIT, BOLT SAE BLADE.....	1.....	ALL BLADES
5	20646	FLOAT DISC LATCH PIN.....	4.....	CONTACT DISCOUNT-EQUIPMENT
6	2870	FLOAT PAN, 36".....	1.....	CONTACT DISCOUNT-EQUIPMENT
7	11032	FLOAT PAN, 36" SUPER FLAT.....	1.....	CONTACT DISCOUNT-EQUIPMENT
8	CL945	FLOAT BLADE, 10" X 14" CLIP-ON .....	4.....	CONTACT DISCOUNT-EQUIPMENT
9	F10900	ENDURO FINISH BLADE 6" X 14" .....	4.....	CONTACT DISCOUNT-EQUIPMENT
10	C10844	ENDURO COMBO BLADE 8" X 14" .....	4.....	CONTACT DISCOUNT-EQUIPMENT
11	QF1872	QUICK CHANGE BLADE, 6" X 14" .....	4.....	CONTACT DISCOUNT-EQUIPMENT
11	QF10872	ENDURO QUICK CH.FINISH BLADE, 6" X 14" .....	4.....	CONTACT DISCOUNT-EQUIPMENT
12	QC1871	QUICK CHANGE COMBO BLADE, 8" X 14" .....	4.....	CONTACT DISCOUNT-EQUIPMENT
12	QC10871	ENDURO QK CHNG.COMBO BLADE, 8" X 14" .....	4.....	CONTACT DISCOUNT-EQUIPMENT
14	QB1857	UNIVERSAL MOUNTING BAR.....	4.....	CONTACT DISCOUNT-EQUIPMENT
15	QS1869	SNAP PIN 1/4" X 1-3/4" .....	8.....	CONTACT DISCOUNT-EQUIPMENT
16	1434	TROWEL LUG (FINISH BLADE ONLY)	4	
17	0202	SCREW, HHCS 5/16-18 X 1" RING	4	
18	0201	GUARD RING LUG	4	

# PARTS FINDER

**Search Website  
by Part Number**



**Search Manual  
Library For Parts  
Manual & Lookup Part  
Numbers – Purchase  
or Request Quote**

**Search Manuals**

Enter your information to help us find the right parts manual for your machine.

\* Brand:

\* Model:

\* Serial:

\* Part Number:

SEARCH

**Can't Find Part or  
Manual? Request Help  
by Manufacturer,  
Model & Description**

**Parts Order Form**

Please fill in the following information to help us find the right part for your machine.

Manufacturer:	<input type="text"/>
Model:	<input type="text"/>
Description:	<input type="text"/>
Part Number:	<input type="text"/>
Quantity:	<input type="text"/>
Notes:	<input type="text"/>

Submit

Discount-Equipment.com is your online resource for quality parts & equipment.

Florida: **561-964-4949** Outside Florida TOLL FREE: **877-690-3101**

**Need parts?**

Click on this link: <http://www.discount-equipment.com/category/5443-parts/> and choose one of the options to help get the right parts and equipment you are looking for. Please have the machine model and serial number available in order to help us get you the correct parts. If you don't find the part on the website or on one of the online manuals, please fill out the request form and one of our experienced staff members will get back to you with a quote for the right part that your machine needs.

We sell worldwide for the brands: Genie, Terex, JLG, MultiQuip, Mikasa, Essick, Whiteman, Mayco, Toro Stone, Diamond Products, Generac Magnum, Airman, Haulotte, Barreto, Power Blanket, Nifty Lift, Atlas Copco, Chicago Pneumatic, Allmand, Miller Curber, Skyjack, Lull, Skytrak, Tsurumi, Husquvarna Target, Stow, Wacker, Sakai, Mi-T-M, Sullair, Basic, Dynapac, MBW, Weber, Bartell, Bennar Newman, Haulotte, Ditch Runner, Menegotti, Morrison, Contec, Buddy, Crown, Edco, Wyco, Bomag, Laymor, EZ Trench, Bil-Jax, F.S. Curtis, Gehl Pavers, Heli, Honda, ICS/PowerGrit, IHI, Partner, Imer, Clipper, MMD, Koshin, Rice, CH&E, General Equipment, Amida, Coleman, NAC, Gradall, Square Shooter, Kent, Stanley, Tamco, Toku, Hatz, Kohler, Robin, Wisconsin, Northrock, Oztec, Toker TK, Rol-Air, APT, Wylie, Ingersoll Rand / Doosan, Innovatech, Con X, Ammann, Mecalac, Makinex, Smith Surface Prep, Small Line, Wanco, Yanmar