



Service Bulletin No. TR20060208
Subject: Valve Cover Replacement
Model: HHN34TVDTCSL4 & 5
Product Group: Ride-on Trowels
Date: 02-08-06

SERVICE BULLETIN

Group: TR

Mandatory

 Information

 Recommended Change

Series/Parts Affected:

21295 ENGINE, BRIGGS 34HP, DM950DTH DIESEL

Machines Affected

HHN34TVDTCSL4 & HHN34TVDTCSL5

SERVICE INFORMATION

Multiquip has discovered that if the crankcase is overfilled and certain maneuvers are performed with the HHN34TVDTCSL4 and HHN34TVDTCSL5, engine damage may result. To eliminate this possibility, the Valve/Rocker Cover has been updated by shortening the breather channel passage.

PARTS INFORMATION			
Quantity	Part #	Description	Remarks
1	825088	Valve/Rocker Cover w/gasket	34 HP Vanguard Diesel

INSTALLATION INSTRUCTIONS

Note: If Engine exhibits poor performance (i.e., emits smoke during operation, hard starting/rough running, lack of power, or knocking) please contact B&S Service before replacing rocker cover (800.274.4485)

Step 1: Before removal and disassembly, clean the top of the engine. Do not allow dirt to enter engine.

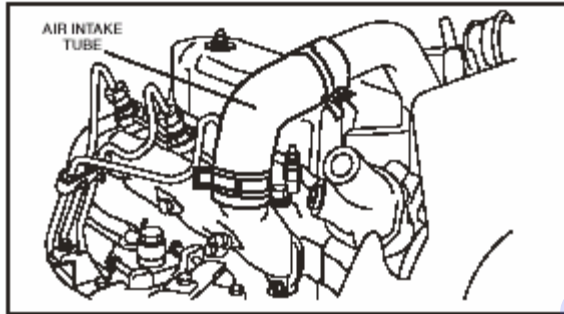
Step 2: Disconnect negative battery cable at the battery.

Step 3: Lift and secure or remove seat pan.

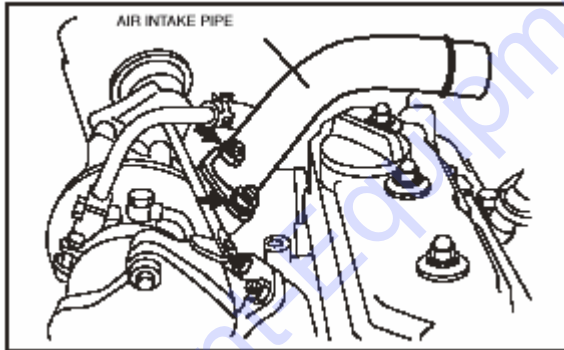
Briggs & Stratton Daihatsu 3 Cylinder Diesel Turbo

Rocker Cover Replacement

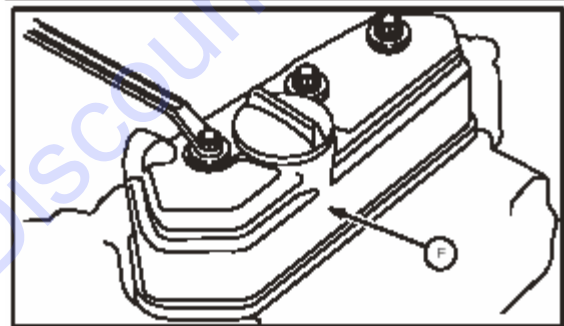
Step 4: Carefully remove the Air Intake Hose from the Intake Manifold by loosening the lower spring clamp.



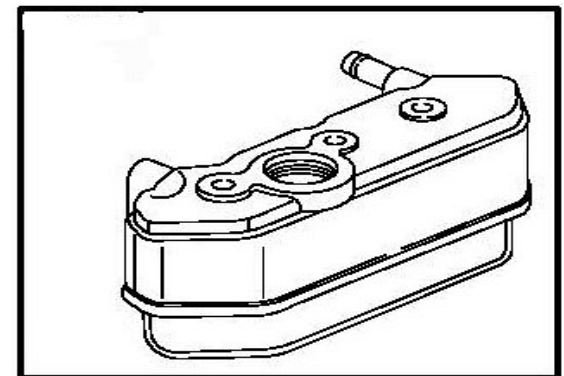
Step 5: Remove the Air Intake Pipe from the Turbocharger, by removing both nuts.



Step 6: Remove the Rocker Cover by removing the 3 nuts on the top of the cover. Carefully remove the breather hose from the Rocker Cover.

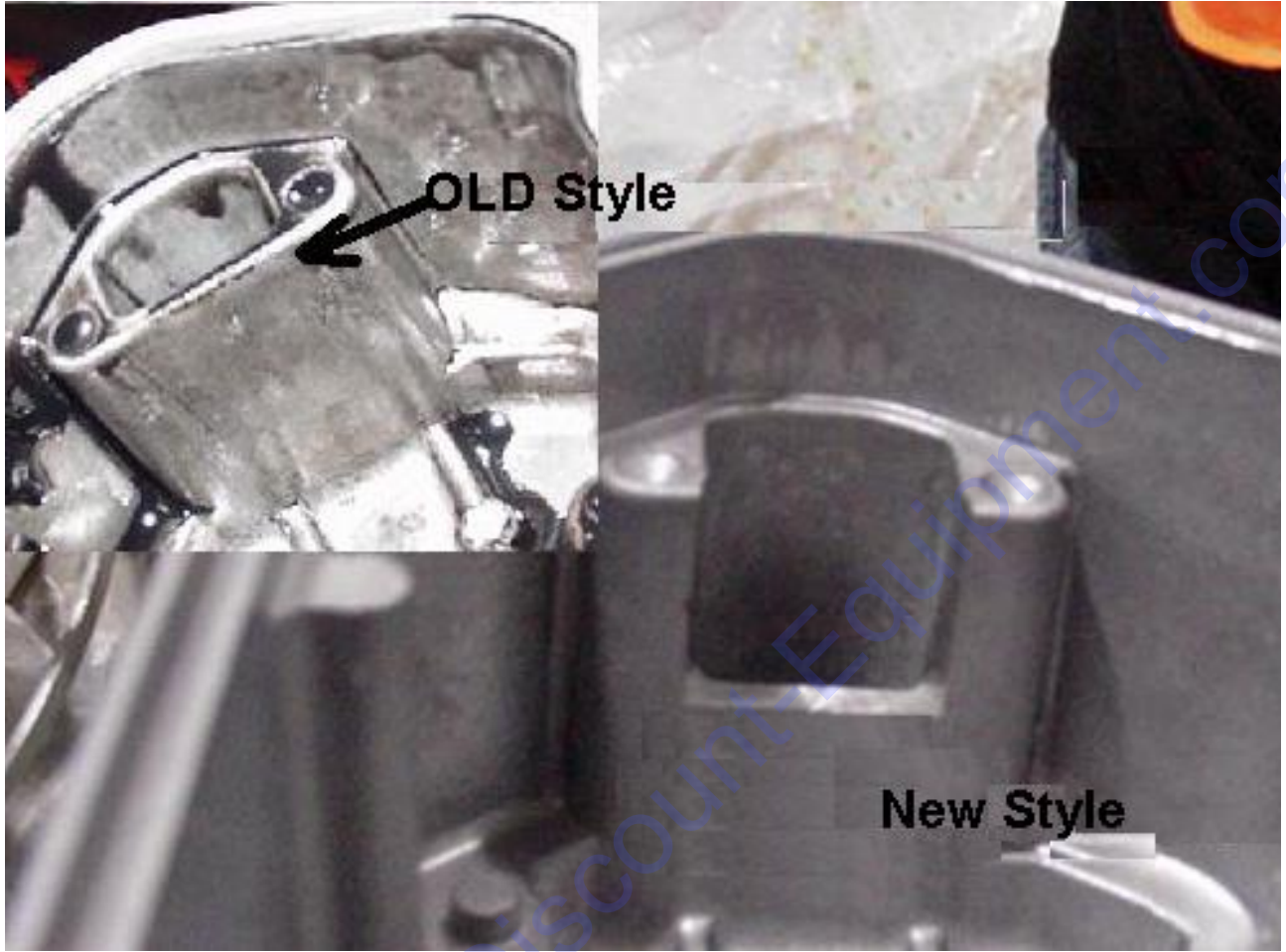


Step 7: Ensure the new Rocker Cover Gasket is properly seated in the new Rocker Cover. Install the new Rocker Cover using the nuts and washers from the original cover. **Torque nuts to 50 in. lbs.**



Step 8: Reinstall the Air Intake Pipe to the Turbocharger. **Torque nuts to 115 in. lbs**

Step 9: Reinstall the Air Intake Hose using the original clamps. Attach the Breather Hose to the Rocker Cover inlet.





HHN34TVDTCSL4 & HHN34TVDTCSL5 Valve Cover Replacement

Following are the serial numbers of your affected units:

To order go to Discount-Equipment.com

TO PURCHASE THIS PRODUCT PLEASE CONTACT US



**Equipment Financing and
Extended Warranties Available**



**Discount-Equipment.com is your online resource for
commercial and industrial quality parts and equipment sales.**

561-964-4949

visit us on line @ www.discount-equipment.com

Select an option below to find your Equipment

Search by Manufacturer

Search by Product Type

Request a Quote

We sell worldwide for the brands: Genie, Terex, JLG, MultiQuip, Mikasa, Essick, Whiteman, Mayco, Toro Stone, Diamond Products, Generac Magnum, Airman, Haulotte, Barreto, Power Blanket, Nifty Lift, Atlas Copco, Chicago Pneumatic, Allmand, Miller Curber, Skyjack, Lull, Skytrak, Tsurumi, Husquvarna Target, Stow, Wacker, Sakai, Mi-T-M, Sullair, Basic, Dynapac, MBW, Weber, Bartell, Bennar Newman, Haulotte, Ditch Runner, Menegotti, Morrison, Contec, Buddy, Crown, Edco, Wyco, Bomag, Laymor, EZ Trench, Bil-Jax, F.S. Curtis, Gehl Pavers, Heli, Honda, ICS/PowerGrit, IHI, Partner, Imer, Clipper, MMD, Koshin, Rice, CH&E, General Equipment, Amida, Coleman, NAC, Gradall, Square Shooter, Kent, Stanley, Tamco, Toku, Hatz, Kohler, Robin, Wisconsin, Northrock, Oztec, Toker TK, Rol-Air, APT, Wylie, Ingersoll Rand / Doosan, Innovatech, Con X, Ammann, Mecalac, Makinex, Smith Surface Prep, Small Line, Wanco, Yanmar