



An Oshkosh Corporation Company



[www.Discount-Equipment.com](http://www.Discount-Equipment.com)

---

# ***Operation and Safety Manual***

*Original Instructions - Keep this manual with the machine at all times.*

**Boom Lift Model**

**400SC**

**460SJC**



**3121704**

November 5, 2018 - Rev G

---

**TO PURCHASE THIS PRODUCT PLEASE CONTACT US**



**Equipment Financing and  
Extended Warranties Available**



**Discount-Equipment.com is your online resource for  
commercial and industrial quality parts and equipment sales.**

**561-964-4949**

**visit us on line @ [www.discount-equipment.com](http://www.discount-equipment.com)**

Select an option below to find your Equipment

**Search by Manufacturer**

**Search by Product Type**

**Request a Quote**

We sell worldwide for the brands: Genie, Terex, JLG, MultiQuip, Mikasa, Essick, Whiteman, Mayco, Toro Stone, Diamond Products, Generac Magnum, Airman, Haulotte, Barreto, Power Blanket, Nifty Lift, Atlas Copco, Chicago Pneumatic, Allmand, Miller Curber, Skyjack, Lull, Skytrak, Tsurumi, Husquvarna Target, Stow, Wacker, Sakai, Mi-T-M, Sullair, Basic, Dynapac, MBW, Weber, Bartell, Bennar Newman, Haulotte, Ditch Runner, Menegotti, Morrison, Contec, Buddy, Crown, Edco, Wyco, Bomag, Laymor, EZ Trench, Bil-Jax, F.S. Curtis, Gehl Pavers, Heli, Honda, ICS/PowerGrit, IHI, Partner, Imer, Clipper, MMD, Koshin, Rice, CH&E, General Equipment, Amida, Coleman, NAC, Gradall, Square Shooter, Kent, Stanley, Tamco, Toku, Hatz, Kohler, Robin, Wisconsin, Northrock, Oztec, Toker TK, Rol-Air, APT, Wylie, Ingersoll Rand / Doosan, Innovatech, Con X, Ammann, Mecalac, Makinex, Smith Surface Prep, Small Line, Wanco, Yanmar



## **WARNING**

Operating, servicing and maintaining this vehicle or equipment can expose you to chemicals including engine exhaust, carbon monoxide, phthalates, and lead, which are known to the State of California to cause cancer and birth defects or other reproductive harm. To minimize exposure, avoid breathing exhaust, do not idle the engine except as necessary, service your vehicle or equipment in a well-ventilated area and wear gloves or wash your hands frequently when servicing. For more information go to [www.P65Warnings.ca.gov](http://www.P65Warnings.ca.gov).

## **FOREWORD**

This manual is a very important tool! Keep it with the machine at all times.

The purpose of this manual is to provide owners, users, operators, lessors, and lessees with the precautions and operating procedures essential for the safe and proper machine operation for its intended purpose.

Due to continuous product improvements, JLG Industries, Inc. reserves the right to make specification changes without prior notification. Contact JLG Industries, Inc. for updated information.



## SAFETY ALERT SYMBOLS AND SAFETY SIGNAL WORDS



This is the Safety Alert Symbol. It is used to alert you to the potential personal injury hazards. Obey all safety messages that follow this symbol to avoid possible injury or death

### DANGER

INDICATES AN IMMINENTLY HAZARDOUS SITUATION. IF NOT AVOIDED, WILL RESULT IN SERIOUS INJURY OR DEATH. THIS DECAL WILL HAVE A RED BACKGROUND.

### WARNING

INDICATES A POTENTIALLY HAZARDOUS SITUATION. IF NOT AVOIDED, COULD RESULT IN SERIOUS INJURY OR DEATH. THIS DECAL WILL HAVE AN ORANGE BACKGROUND.

### CAUTION

INDICATES A POTENTIALLY HAZARDOUS SITUATION. IF NOT AVOIDED, MAY RESULT IN MINOR OR MODERATE INJURY. IT MAY ALSO ALERT AGAINST UNSAFE PRACTICES. THIS DECAL WILL HAVE A YELLOW BACKGROUND.

### NOTICE

INDICATES INFORMATION OR A COMPANY POLICY THAT RELATES DIRECTLY OR INDIRECTLY TO THE SAFETY OF PERSONNEL OR PROTECTION OF PROPERTY.

**⚠ WARNING**

THIS PRODUCT MUST COMPLY WITH ALL SAFETY RELATED BULLETINS. CONTACT JLG INDUSTRIES, INC. OR THE LOCAL AUTHORIZED JLG REPRESENTATIVE FOR INFORMATION REGARDING SAFETY-RELATED BULLETINS WHICH MAY HAVE BEEN ISSUED FOR THIS PRODUCT.

**NOTICE**

JLG INDUSTRIES, INC. SENDS SAFETY RELATED BULLETINS TO THE OWNER OF RECORD OF THIS MACHINE. CONTACT JLG INDUSTRIES, INC. TO ENSURE THAT THE CURRENT OWNER RECORDS ARE UPDATED AND ACCURATE.

**NOTICE**

JLG INDUSTRIES, INC. MUST BE NOTIFIED IMMEDIATELY IN ALL INSTANCES WHERE JLG PRODUCTS HAVE BEEN INVOLVED IN AN ACCIDENT INVOLVING BODILY INJURY OR DEATH OF PERSONNEL OR WHEN SUBSTANTIAL DAMAGE HAS OCCURRED TO PERSONAL PROPERTY OR THE JLG PRODUCT.

**For:**

- Accident Reporting
- Product Safety Publications
- Current Owner Updates
- Questions Regarding Product Safety
- Standards and Regulations Compliance Information
- Questions Regarding Special Product Applications
- Questions Regarding Product Modifications

**Contact:**

Product Safety and Reliability Department  
JLG Industries, Inc.  
13224 Fountainhead Plaza  
Hagerstown, MD 21742  
USA

or Your Local JLG Office  
(See addresses on inside of manual cover)

**In USA:**

Toll Free: 877-JLG-SAFE (877-554-7233)

**Outside USA:**

Phone: 240-420-2661  
Fax: 301-745-3713  
E-mail: ProductSafety@JLG.com

**REVISION LOG**

Original Issue	A - June 25, 2015
Revision	B - July 6, 2015
Revision	C - June 8, 2016
Revision	D - October 24, 2016
Revision	E - November 21, 2017
Revision	F - June 29, 2018 - Revised Covers, Prop 65
Revision	G - November 5, 2018

To order go to [Discount-Equipment.com](http://Discount-Equipment.com)

<b>SECTION - PARAGRAPH, SUBJECT</b>	<b>PAGE</b>
<b>SECTION - 1 - SAFETY PRECAUTIONS</b>	
1.1 GENERAL .....	1-1
1.2 PRE-OPERATION .....	1-1
Operator Training and Knowledge .....	1-1
Workplace Inspection .....	1-2
Machine Inspection .....	1-3
1.3 OPERATION .....	1-3
General .....	1-3
Trip and Fall Hazards .....	1-4
Electrocution Hazards .....	1-5
Tipping Hazards .....	1-7
Crushing and Collision Hazards .....	1-10
1.4 TOWING, LIFTING, AND HAULING .....	1-11
1.5 MAINTENANCE .....	1-11
Maintenance Hazards .....	1-11
Battery Hazards .....	1-13
<b>SECTION - 2 - USER RESPONSIBILITIES, MACHINE PREPARATION, AND INSPECTION</b>	
2.1 PERSONNEL TRAINING .....	2-1
Operator Training .....	2-1
Training Supervision .....	2-1
Operator Responsibility .....	2-1
2.2 PREPARATION, INSPECTION, AND MAINTENANCE .....	2-2
Pre-Start Inspection .....	2-5
Daily Walk-Around Inspection .....	2-6

<b>SECTION - PARAGRAPH, SUBJECT</b>	<b>PAGE</b>
Function Check .....	2-8
SkyGuard Function Test .....	2-9
<b>SECTION - 3 - MACHINE CONTROLS AND INDICATORS</b>	
3.1 GENERAL .....	3-1
3.2 CONTROLS AND INDICATORS .....	3-1
Ground Control Console .....	3-2
Ground Control Indicator Panel .....	3-7
Ground Control Console Display Gauge .....	3-9
Platform Console .....	3-12
Platform Control Indicator Panel .....	3-18
<b>SECTION - 4 - MACHINE OPERATION</b>	
4.1 DESCRIPTION .....	4-1
4.2 BOOM OPERATING CHARACTERISTICS AND LIMITATIONS .....	4-1
Capacities .....	4-1
Stability .....	4-1
4.3 ENGINE OPERATION .....	4-2
Starting Procedure .....	4-2
Shutdown Procedure .....	4-3
Fuel Reserve / Shut-Off System .....	4-3
4.4 TRAVELING (DRIVING) .....	4-6
Machine Motion Hazard .....	4-8
Traveling Forward and Reverse .....	4-9
Traveling on a Grade .....	4-13

## TABLE OF CONTENTS

SECTION - PARAGRAPH, SUBJECT	PAGE	SECTION - PARAGRAPH, SUBJECT	PAGE
4.5 PLATFORM .....	4-13	<b>SECTION - 5 - EMERGENCY PROCEDURES</b>	
Platform Level Adjustment .....	4-13	5.1 GENERAL .....	5-1
Platform Rotation .....	4-13	5.2 INCIDENT NOTIFICATION .....	5-1
4.6 BOOM .....	4-14	5.3 EMERGENCY OPERATION .....	5-1
Swinging the Boom .....	4-14	Operator Unable to Control Machine .....	5-1
Raising and Lowering the Main Boom .....	4-14	Platform or Boom Caught Overhead .....	5-2
Telescoping the Main Boom .....	4-15	5.4 MACHINE SAFETY SYSTEM OVERRIDE (MSSO)	
Raising and Lowering the Jib .....	4-15	(CE ONLY) .....	5-2
4.7 FUNCTION SPEED CONTROL .....	4-15	<b>SECTION - 6 - ACCESSORIES</b>	
4.8 MACHINE SAFETY SYSTEM OVERRIDE (MSSO)		6.1 PIPE RACKS .....	6-3
(CE ONLY) .....	4-15	Safety Precautions .....	6-3
4.9 SKYGUARD OPERATION .....	4-16	Preparation and Inspection .....	6-4
SkyGuard .....	4-16	Operation .....	6-4
SkyGuard - SkyLine .....	4-16	6.2 SKYGLAZIER™ .....	6-4
SkyGuard - SkyEye .....	4-17	Capacity Specifications .....	6-5
SkyGuard Function Table .....	4-17	Safety Precautions .....	6-5
4.10 SHUT DOWN AND PARK .....	4-18	Preparation and Inspection .....	6-6
Shut Down and Park .....	4-18	Operation .....	6-6
4.11 LIFTING AND TIE DOWN .....	4-18	6.3 SKYPOWER™ .....	6-6
Lifting .....	4-18	Generator Output .....	6-7
Tie Down .....	4-18	Accessory Ratings .....	6-7
		Safety Precautions .....	6-7
		Preparation and Inspection .....	6-7
		Operation .....	6-7

<b>SECTION - PARAGRAPH, SUBJECT</b>	<b>PAGE</b>	<b>SECTION - PARAGRAPH, SUBJECT</b>	<b>PAGE</b>
6.4 SKYWELDER™ .....	6-8		
Generator Output .....	6-8		
Welding Accessories .....	6-8		
Accessory Ratings .....	6-9		
Safety Precautions .....	6-9		
Preparation and Inspection .....	6-10		
Operation .....	6-10		
6.5 SOFT TOUCH .....	6-10		
<b>SECTION - 7 - GENERAL SPECIFICATIONS &amp; OPERATOR MAINTENANCE</b>			
7.1 INTRODUCTION .....	7-1		
7.2 OPERATING SPECIFICATIONS .....	7-1		
Capacities .....	7-3		
Engine Data .....	7-3		
Hydraulic Oil .....	7-5		
Critical Stability Weights .....	7-8		
Serial Number Location .....	7-9		
7.3 OPERATOR MAINTENANCE .....	7-15		
7.4 SUPPLEMENTAL INFORMATION .....	7-22		
<b>SECTION - 8 - INSPECTION AND REPAIR LOG</b>			

**TABLE OF CONTENTS**

---

**SECTION - PARAGRAPH, SUBJECT**

**PAGE**

**SECTION - PARAGRAPH, SUBJECT**

**PAGE**

This Page Left Blank Intentionally

To order go to [Discount-Equipment.com](http://Discount-Equipment.com)

<b>FIGURE NUMBER - TITLE</b>	<b>PAGE</b>	<b>FIGURE NUMBER - TITLE</b>	<b>PAGE</b>
2-1. Basic Nomenclature.....	2-4	7-1. Serial Number Location .....	7-9
2-2. Daily Walk-Around Inspection - Sheet 1 of 2 .....	2-6	7-2. Engine Operating Temperature Specifications - Deutz .....	7-10
3-1. Ground Control Console - 400SC w/MSSO .....	3-3	7-3. Hydraulic Oil Operation Chart - Sheet 1 of 2.....	7-11
3-2. Ground Control Console - 460SJC .....	3-4	7-4. Hydraulic Oil Operation Chart - Sheet 2 of 2.....	7-12
3-3. Ground Control Indicator Panel .....	3-8	7-5. Operator Maintenance and Lubrication Diagram - Deutz D20117-13	
3-4. Splash Screen.....	3-9	7-6. Operator Maintenance and Lubrication Diagram - Deutz 2.9L47-14	
3-5. Diagnostic Screen.....	3-10		
3-6. Engine Diagnostic Screen .....	3-10		
3-7. Ground Control Console Display Gauge .....	3-11		
3-8. Platform Control Console .....	3-13		
3-9. Platform Control Indicator Panel.....	3-19		
3-10. Fuel Level Indicator .....	3-20		
4-1. Position of Least Forward Stability.....	4-4		
4-2. Position of Least Backward Stability .....	4-5		
4-3. Grade and Side Slopes .....	4-7		
4-4. Machine Motion Hazard.....	4-8		
4-5. Drive Function Operating Range Diagrams - Sheet 1 of 2.....	4-11		
4-6. Drive Function Operating Range Diagrams - Sheet 2 of 2.....	4-12		
4-7. Traveling on a Grade.....	4-13		
4-8. Lifting and Tie Down Chart .....	4-20		
4-9. Decal Location -Turntable - Sheet 1 of 3 .....	4-21		
4-10. Decal Location -Turntable - Sheet 2 of 3 .....	4-22		
4-11. Decal Location -Turntable - Sheet 3 of 3 .....	4-23		
4-12. Decal Location - Chassis.....	4-28		



***LIST OF FIGURES***

**FIGURE NUMBER - TITLE**

**PAGE**

**FIGURE NUMBER - TITLE**

**PAGE**

This Page Left Blank Intentionally

To order go to [Discount-Equipment.com](http://Discount-Equipment.com)

<b>TABLE NUMBER - TITLE</b>	<b>PAGE</b>	<b>TABLE NUMBER - TITLE</b>	<b>PAGE</b>
1-1	Minimum Approach Distances (M.A.D.) .....	1-6	
1-2	Beaufort Scale (For Reference Only).....	1-9	
2-1	Inspection and Maintenance Table .....	2-3	
4-1	Decal Legend - 400SC Turntable .....	4-24	
4-2	Decal Legend - 460SJC Turntable .....	4-26	
4-3	Decal Legend - 400SC & 460SCJ Chassis.....	4-29	
6-1	Available Accessories .....	6-1	
6-2	Options/Accessories Relationship Table.....	6-2	
7-1	Operating Specifications - 400SC .....	7-1	
7-2	Operating Specifications - 460SJC .....	7-2	
7-3	Capacities .....	7-3	
7-4	Deutz D2011L03 .....	7-3	
7-5	Deutz 2.9L4 .....	7-4	
7-6	Hydraulic Oil .....	7-5	
7-7	Mobilfluid 424 Specs .....	7-5	
7-8	Mobil DTE 13M Specs .....	7-6	
7-9	UCon Hydrolube HP-50/46 .....	7-6	
7-10	Mobil EAL 224H Specs.....	7-7	
7-11	Mobil EAL H 46 Specs .....	7-7	
7-12	Exxon Univis HVI 26 Specs .....	7-8	
7-13	Critical Stability Weights.....	7-8	
7-14	Lubrication Specifications .....	7-15	
8-1	Inspection and Repair Log.....	8-1	

***LIST OF TABLES***

**TABLE NUMBER - TITLE**

**PAGE**

**TABLE NUMBER - TITLE**

**PAGE**

This Page Left Blank Intentionally

To order go to [Discount-Equipment.com](http://Discount-Equipment.com)

## SECTION 1. SAFETY PRECAUTIONS

### 1.1 GENERAL

This section outlines the necessary precautions for proper and safe machine usage and maintenance. It is mandatory that a daily routine is established based on the content of this manual to promote proper machine usage. A maintenance program, using the information provided in this manual and the Service and Maintenance Manual, must also be established by a qualified person and must be followed to ensure that the machine is safe to operate.

The owner/user/operator/lessor/lessee of the machine must not accept operating responsibility until this manual has been read, training is accomplished, and operation of the machine has been completed under the supervision of an experienced and qualified operator.

This section contains the responsibilities of the owner, user, operator, lessor, and lessee concerning safety, training, inspection, maintenance, application, and operation. If there are any questions with regard to safety, training, inspection, maintenance, application, and operation, please contact JLG Industries, Inc. ("JLG").

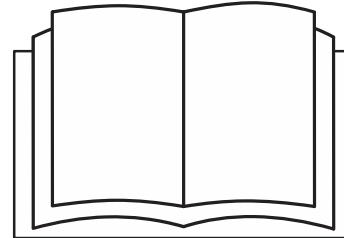
### WARNING

**FAILURE TO COMPLY WITH SAFETY PRECAUTIONS LISTED IN THIS MANUAL COULD RESULT IN MACHINE DAMAGE, PROPERTY DAMAGE, PERSONAL INJURY OR DEATH.**

### 1.2 PRE-OPERATION

#### Operator Training and Knowledge

- The Operation and Safety Manual must be read and understood in its entirety before operating the machine. For clarification, questions, or additional information regarding any portions of this manual, contact JLG Industries, Inc.



## **SECTION 1 - SAFETY PRECAUTIONS**

---

- An operator must not accept operating responsibilities until adequate training has been given by competent and authorized persons.
- Allow only those authorized and qualified personnel to operate the machine who have demonstrated that they understand the safe and proper operation and maintenance of the unit.
- Read, understand, and obey all DANGERS, WARNINGS, CAUTIONS, and operating instructions on the machine and in this manual.
- Ensure that the machine is to be used in a manner which is within the scope of its intended application as determined by JLG.
- All operating personnel must be familiar with the emergency controls and emergency operation of the machine as specified in this manual.
- Read, understand, and obey all applicable employer, local, and governmental regulations as they pertain to your utilization and application of the machine.

### **Workplace Inspection**

- Precautions to avoid all hazards in the work area must be taken by the user before and during operation of the machine.
- Do not operate or raise the platform from a position on trucks, trailers, railway cars, floating vessels, scaffolds or other equipment unless the application is approved in writing by JLG.
- Before operation, check work area for overhead hazards such as electric lines, bridge cranes, and other potential overhead obstructions.
- Check operating surfaces for holes, bumps, drop-offs, obstructions, debris, concealed holes, and other potential hazards.
- Check the work area for hazardous locations. Do not operate the machine in hazardous environments unless approved for that purpose by JLG.
- Ensure that the ground conditions are adequate to support the maximum tire load indicated on the tire load decals located on the chassis adjacent to each wheel. Do not travel on unsupported surfaces.

## **Machine Inspection**

- Do not operate this machine until the inspections and functional checks as specified in Section 2 of this manual have been performed.
- Do not operate this machine until it has been serviced and maintained according to the maintenance and inspection requirements as specified in the machine's Service and Maintenance Manual.
- Ensure all safety devices are operating properly. Modification of these devices is a safety violation.

### **WARNING**

**MODIFICATION OR ALTERATION OF AN AERIAL WORK PLATFORM SHALL BE MADE ONLY WITH PRIOR WRITTEN PERMISSION FROM THE MANUFACTURER.**

- Do not operate any machine on which the safety or instruction placards or decals are missing or illegible.
- Check the machine for modifications to original components. Ensure that any modifications have been approved by JLG.
- Avoid accumulation of debris on platform floor. Keep mud, oil, grease, and other slippery substances from footwear and platform floor.

## **1.3 OPERATION**

### **General**

- Machine operation requires your full attention. Bring the machine to a full stop before using any device, i.e. cell phones, two-way radios, etc. that will distract your attention from safely operating the machine.
- Do not use the machine for any purpose other than positioning personnel, their tools, and equipment.
- Before operation, the user must be familiar with the machine capabilities and operating characteristics of all functions.
- Never operate a malfunctioning machine. If a malfunction occurs, shut down the machine. Remove the unit from service and notify the proper authorities.
- Do not remove, modify, or disable any safety devices.
- Never slam a control switch or lever through neutral to an opposite direction. Always return switch to neutral and stop before moving the switch to the next function. Operate controls with slow and even pressure.
- Do not allow personnel to tamper with or operate the machine from the ground with personnel in the platform, except in an emergency.

## SECTION 1 - SAFETY PRECAUTIONS

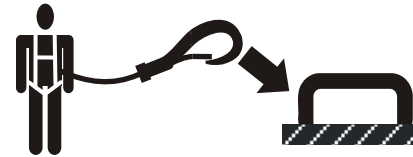
---

- Do not carry materials directly on platform railing unless approved by JLG.
- When two or more persons are in the platform, the operator shall be responsible for all machine operations.
- Always ensure that power tools are properly stowed and never left hanging by their cord from the platform work area.
- When driving, always position boom over rear axle in line with the direction of travel. Remember, if boom is over the front axle, steer and drive functions will be reversed.
- Do not assist a stuck or disabled machine by pushing or pulling except by pulling at the chassis tie-down lugs.
- Fully lower platform and shut off all power before leaving machine.
- Remove all rings, watches, and jewelry when operating machine. Do not wear loose fitting clothing or long hair unrestrained which may become caught or entangled in equipment.
- Persons under the influence of drugs or alcohol or who are subject to seizures, dizziness or loss of physical control must not operate this machine.

- Hydraulic cylinders are subject to thermal expansion and contraction. This may result in changes to the boom and/or platform position while the machine is stationary. Factors affecting thermal movement can include the length of time the machine will remain stationary, hydraulic oil temperature, ambient air temperature, and boom and platform position.

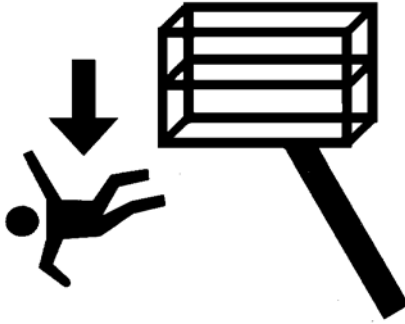
### Trip and Fall Hazards

- During operation, occupants in the platform must wear a full body harness with a lanyard attached to an authorized lanyard anchorage point. Attach only one (1) lanyard per lanyard anchorage point.



- Enter and exit only through gate area. Use extreme caution when entering or leaving platform. Ensure that the platform assembly is fully lowered. Face the machine when entering or leaving the platform. Always maintain “three point contact” with the machine, using two hands and one foot or two feet and one hand at all times during entry and exit.

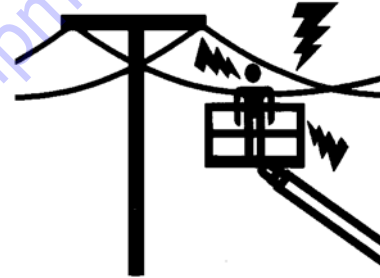
- Before operating the machine, make sure all gates are closed and fastened in their proper position.



- Keep both feet firmly positioned on the platform floor at all times. Never position ladders, boxes, steps, planks, or similar items on unit to provide additional reach for any purpose.
- Keep oil, mud, and slippery substances cleaned from footwear and the platform floor.

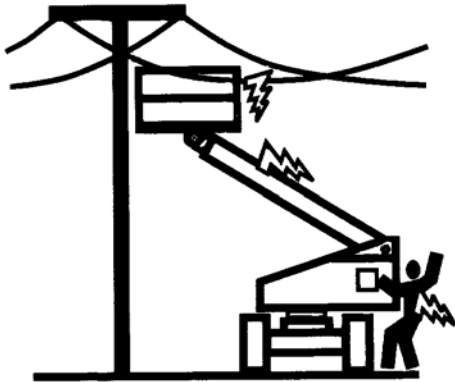
**Electrocution Hazards**

- This machine is not insulated and does not provide protection from contact or proximity to electrical current.





## SECTION 1 - SAFETY PRECAUTIONS



- Maintain distance from electrical lines, apparatus, or any energized (exposed or insulated) parts according to the Minimum Approach Distance (MAD) as shown in Table 1-1.
- Allow for machine movement and electrical line swaying.

**Table 1-1. Minimum Approach Distances (M.A.D.)**

Voltage Range (Phase to Phase)	MINIMUM APPROACH DISTANCE in Feet (Meters)
0 to 50 KV	10 (3)
Over 50KV to 200 KV	15 (5)
Over 200 KV to 350 KV	20 (6)
Over 350 KV to 500 KV	25 (8)
Over 500 KV to 750 KV	35 (11)
Over 750 KV to 1000 KV	45 (14)

**NOTE:** *This requirement shall apply except where employer, local or governmental regulations are more stringent.*

- Maintain a clearance of at least 10 ft. (3m) between any part of the machine and its occupants, their tools, and their equipment from any electrical line or apparatus carrying up to 50,000 volts. One foot additional clearance is required for every additional 30,000 volts or less.

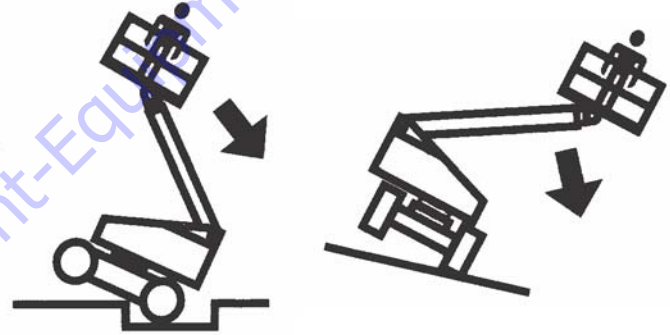
- The minimum approach distance may be reduced if insulating barriers are installed to prevent contact, and the barriers are rated for the voltage of the line being guarded. These barriers shall not be part of (or attached to) the machine. The minimum approach distance shall be reduced to a distance within the designed working dimensions of the insulating barrier. This determination shall be made by a qualified person in accordance with the employer, local, or governmental requirements for work practices near energized equipment.

**⚠ DANGER**

**DO NOT MANEUVER MACHINE OR PERSONNEL INSIDE PROHIBITED ZONE (MAD). ASSUME ALL ELECTRICAL PARTS AND WIRING ARE ENERGIZED UNLESS KNOWN OTHERWISE.**

### Tipping Hazards

- The user must be familiar with the surface before driving. Do not exceed the allowable sideslope and grade while driving.



- Do not elevate platform or drive with platform elevated while on or near a sloping, uneven, or soft surface. Ensure machine is positioned on a firm, level and smooth surface before elevating platform or driving with the platform in the elevated position.
- Before driving on floors, bridges, trucks, and other surfaces, check allowable capacity of the surfaces.

## **SECTION 1 - SAFETY PRECAUTIONS**

---

- Never exceed the maximum work load as specified on the platform. Keep all loads within the confines of the platform, unless authorized by JLG.
- Keep the chassis of the machine a minimum of 2 ft. (0.6m) from holes, bumps, drop-offs, obstructions, debris, concealed holes, and other potential hazards at the ground level.
- Do not push or pull any object with the boom.
- Never attempt to use the machine as a crane. Do not tie-off machine to any adjacent structure. Never attach wire, cable, or any similar items to platform.
- If boom assembly or platform is in a position that one or more wheels are off the ground, all persons must be removed before attempting to stabilize the machine. Use cranes, forklift trucks, or other appropriate equipment to stabilize machine.
- Do not operate the machine when wind conditions, including gusts, may exceed 28 mph (12.5 m/s). Factors affecting wind speed are; platform elevation, surrounding structures, local weather events, and approaching storms. Refer to Table 1-2, Beaufort scale (For Reference Only) or use other means to monitor wind conditions.
- Wind speed can be significantly greater at height than at ground level.
- Wind speed can change rapidly. Always consider approaching weather events, the time required to lower the platform, and methods to monitor current and potential wind conditions.
- Do not increase surface area of the platform or the load. Increased areas exposed to wind will decrease stability.
- Do not increase the platform size with unauthorized modifications or attachments.

**NOTICE**

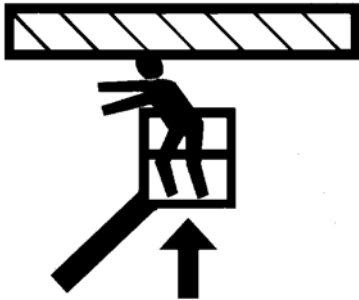
DO NOT OPERATE MACHINE WHEN WIND CONDITIONS EXCEED 28 MPH (12.5 M/S).

Table 1-2. Beaufort Scale (For Reference Only)

Beaufort Number	Wind Speed		Description	Land Conditions
	mph	m/s		
0	0	0-0.2	Calm	Calm. Smoke rises vertically
1	1-3	0.3-1.5	Light air	Wind motion visible in smoke
2	4-7	1.6-3.3	Light breeze	Wind felt on exposed skin. Leaves rustle
3	8-12	3.4-5.4	Gentle breeze	Leaves and smaller twigs in constant motion
4	13-18	5.5-7.9	Moderate breeze	Dust and loose paper raised. Small branches begin to move.
5	19-24	8.0-10.7	Fresh breeze	Smaller trees sway.
6	25-31	10.8-13.8	Strong breeze	Large branches in motion. Flags waving near horizontal. Umbrella use becomes difficult.
7	32-38	13.9-17.1	Near Gale/Moderate Gale	Whole trees in motion. Effort needed to walk against the wind.
8	39-46	17.2-20.7	Fresh Gale	Twigs broken from trees. Cars veer on road.
9	47-54	20.8-24.4	Strong Gale	Light structure damage.

### Crushing and Collision Hazards

- Approved head gear must be worn by all operating and ground personnel.
- Check work area for clearances overhead, on sides, and bottom of platform when lifting or lowering platform, and driving.



- During operation, keep all body parts inside platform railing.
- Use the boom functions, not the drive function, to position the platform close to obstacles.
- Always post a lookout when driving in areas where vision is obstructed.

- Keep non-operating personnel at least 6 ft. (1.8m) away from machine during all driving and swing operations.
- Under all travel conditions, the operator must limit travel speed according to conditions of ground surface, congestion, visibility, slope, location of personnel, and other factors which may cause collision or injury to personnel.
- Be aware of stopping distances in all drive speeds. When driving in high speed, switch to low speed before stopping. Travel grades in low speed only.
- Do not use high speed drive in restricted or close quarters or when driving in reverse.
- Exercise extreme caution at all times to prevent obstacles from striking or interfering with operating controls and persons in the platform.
- Be sure that operators of other overhead and floor level machines are aware of the aerial work platform's presence. Disconnect power to overhead cranes.
- Warn personnel not to work, stand, or walk under a raised boom or platform. Position barricades on floor if necessary.

**1.4 TOWING, LIFTING, AND HAULING**

- Never allow personnel in platform while towing, lifting, or hauling.
- This machine should not be towed, except in the event of emergency, malfunction, power failure, or loading/unloading. Refer to the Emergency Procedures section of this manual for emergency towing procedures.
- Ensure boom is in the stowed position and, if equipped, the turntable locked prior to towing, lifting or hauling. The platform must be completely empty of tools.
- When lifting machine, lift only at designated areas of the machine. Lift the unit with equipment of adequate capacity.
- Refer to the Machine Operation section of this manual for lifting information.

**1.5 MAINTENANCE**

This sub-section contains general safety precautions which must be observed during maintenance of this machine. Additional precautions to be observed during machine maintenance are inserted at the appropriate points in this manual and in the Service and Maintenance Manual. It is of utmost importance that maintenance personnel pay strict attention to these precautions to avoid possible injury to personnel or damage to the machine or property. A maintenance program must be established by a qualified person and must be followed to ensure that the machine is safe.

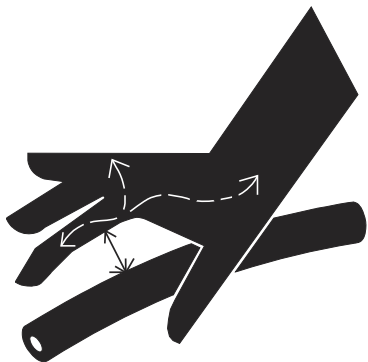
**Maintenance Hazards**

- Shut off power to all controls and ensure that all moving parts are secured from inadvertent motion prior to performing any adjustments or repairs.
- Never work under an elevated platform until it has been fully lowered to the full down position, if possible, or otherwise supported and restrained from movement with appropriate safety props, blocking, or overhead supports.
- DO NOT attempt to repair or tighten any hydraulic hoses or fittings while the machine is powered on or when the hydraulic system is under pressure.
- Always relieve hydraulic pressure from all hydraulic circuits before loosening or removing hydraulic components.

## SECTION 1 - SAFETY PRECAUTIONS

---

- DO NOT use your hand to check for leaks. Use a piece of cardboard or paper to search for leaks. Wear gloves to help protect hands from spraying fluid.



- Ensure replacement parts or components are identical or equivalent to original parts or components.
- Never attempt to move heavy parts without the aid of a mechanical device. Do not allow heavy objects to rest in an unstable position. Ensure adequate support is provided when raising components of the machine.

- Do not use machine as a ground for welding.
- When performing welding or metal cutting operations, precautions must be taken to protect the chassis from direct exposure to weld and metal cutting spatter.
- Do not refuel the machine with the engine running.
- Use only approved non-flammable cleaning solvents.
- Do not replace items critical to stability, such as batteries or solid tires, with items of different weight or specification. Do not modify unit in any way to affect stability.
- Refer to the Service and Maintenance Manual for the weights of critical stability items.

### **⚠ WARNING**

**MODIFICATION OR ALTERATION OF AN AERIAL WORK PLATFORM SHALL BE MADE ONLY WITH PRIOR WRITTEN PERMISSION FROM THE MANUFACTURER.**

## **Battery Hazards**

- Always disconnect batteries when servicing electrical components or when performing welding on the machine.
- Do not allow smoking, open flame, or sparks near battery during charging or servicing.
- Do not contact tools or other metal objects across the battery terminals.
- Always wear hand, eye, and face protection when servicing batteries. Ensure that battery acid does not come in contact with skin or clothing.

### **⚠ CAUTION**

**BATTERY FLUID IS HIGHLY CORROSIVE. AVOID CONTACT WITH SKIN AND CLOTHING AT ALL TIMES. IMMEDIATELY RINSE ANY CONTACTED AREA WITH CLEAN WATER AND SEEK MEDICAL ATTENTION.**

- Charge batteries only in a well ventilated area.
- Avoid overfilling the battery fluid level. Add distilled water to batteries only after the batteries are fully charged.



**TO PURCHASE THIS PRODUCT PLEASE CONTACT US**



**Equipment Financing and  
Extended Warranties Available**



**Discount-Equipment.com is your online resource for  
commercial and industrial quality parts and equipment sales.**

**561-964-4949**

**visit us on line @ [www.discount-equipment.com](http://www.discount-equipment.com)**

Select an option below to find your Equipment

**Search by Manufacturer**

**Search by Product Type**

**Request a Quote**

We sell worldwide for the brands: Genie, Terex, JLG, MultiQuip, Mikasa, Essick, Whiteman, Mayco, Toro Stone, Diamond Products, Generac Magnum, Airman, Haulotte, Barreto, Power Blanket, Nifty Lift, Atlas Copco, Chicago Pneumatic, Allmand, Miller Curber, Skyjack, Lull, Skytrak, Tsurumi, Husquvarna Target, Stow, Wacker, Sakai, Mi-T-M, Sullair, Basic, Dynapac, MBW, Weber, Bartell, Bennar Newman, Haulotte, Ditch Runner, Menegotti, Morrison, Contec, Buddy, Crown, Edco, Wyco, Bomag, Laymor, EZ Trench, Bil-Jax, F.S. Curtis, Gehl Pavers, Heli, Honda, ICS/PowerGrit, IHI, Partner, Imer, Clipper, MMD, Koshin, Rice, CH&E, General Equipment, Amida, Coleman, NAC, Gradall, Square Shooter, Kent, Stanley, Tamco, Toku, Hatz, Kohler, Robin, Wisconsin, Northrock, Oztec, Toker TK, Rol-Air, APT, Wylie, Ingersoll Rand / Doosan, Innovatech, Con X, Ammann, Mecalac, Makinex, Smith Surface Prep, Small Line, Wanco, Yanmar

## **SECTION 2. USER RESPONSIBILITIES, MACHINE PREPARATION, AND INSPECTION**

### **2.1 PERSONNEL TRAINING**

The aerial platform is a personnel handling device; so it is necessary that it be operated and maintained only by trained personnel.

Persons under the influence of drugs or alcohol or who are subject to seizures, dizziness or loss of physical control must not operate this machine.

#### **Operator Training**

Operator training must cover:

1. Use and limitations of the controls in the platform and at the ground, emergency controls and safety systems.
2. Control labels, instructions, and warnings on the machine.
3. Rules of the employer and government regulations.
4. Use of approved fall protection device.
5. Enough knowledge of the mechanical operation of the machine to recognize a malfunction or potential malfunction.

6. The safest means to operate the machine where overhead obstructions, other moving equipment, and obstacles, depressions, holes, or drop-offs exist.
7. Means to avoid the hazards of unprotected electrical conductors.
8. Specific job requirements or machine application.

#### **Training Supervision**

Training must be done under the supervision of a qualified person in an open area free of obstructions until the trainee has developed the ability to safely control and operate the machine.

#### **Operator Responsibility**

The operator must be instructed that he/she has the responsibility and authority to shut down the machine in case of a malfunction or other unsafe condition of either the machine or the job site.

## **2.2 PREPARATION, INSPECTION, AND MAINTENANCE**

The following table covers the periodic machine inspections and maintenance required by JLG Industries, Inc. Consult local regulations for further requirements for aerial work platforms. The frequency of inspections and maintenance must be increased as necessary when the machine is used in a harsh or hostile environment, if the machine is used with increased frequency, or if the machine is used in a severe manner.

### **NOTICE**

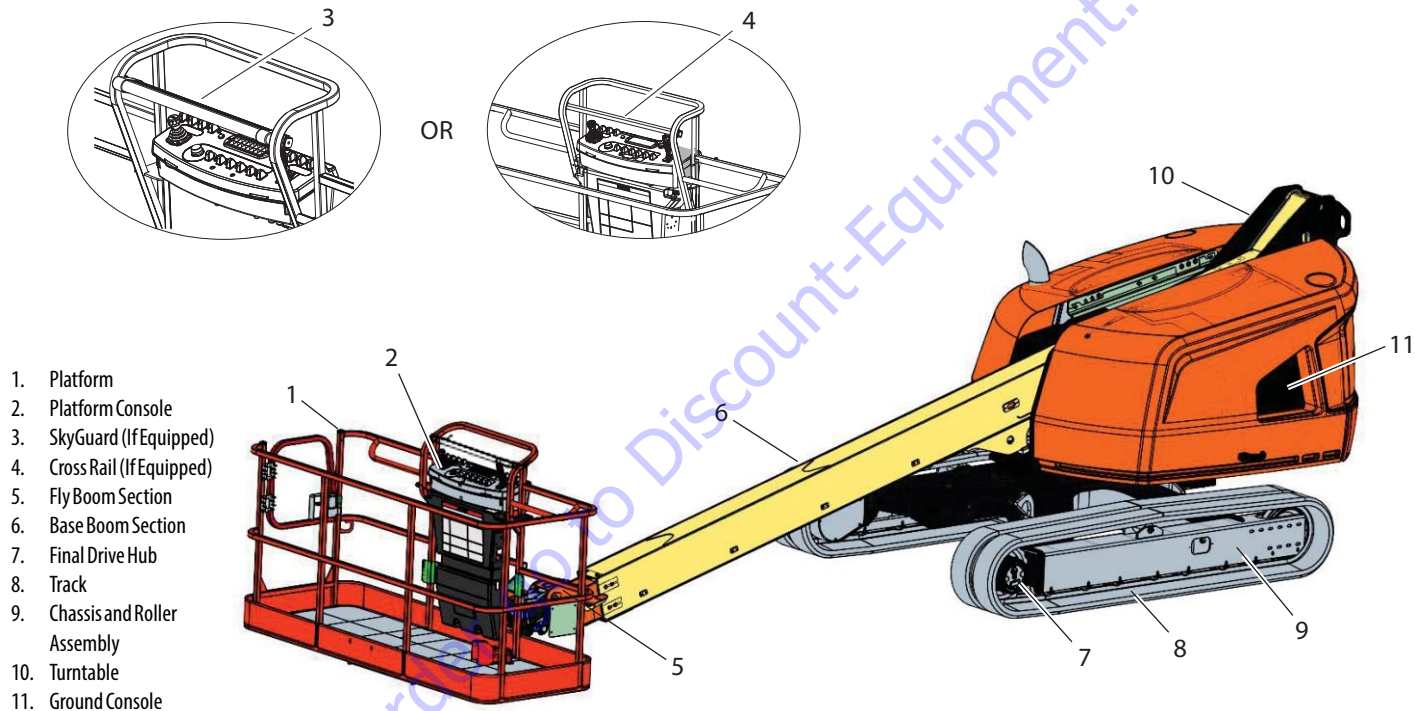
**JLG INDUSTRIES, INC. RECOGNIZES A FACTORY TRAINED SERVICE TECHNICIAN AS A PERSON WHO HAS SUCCESSFULLY COMPLETED THE JLG SERVICE TRAINING SCHOOL FOR THE SPECIFIC JLG PRODUCT MODEL.**

## SECTION 2 - USER RESPONSIBILITIES, MACHINE PREPARATION, AND INSPECTION

**Table 2-1. Inspection and Maintenance Table**

Type	Frequency	Primary Responsibility	Service Qualification	Reference
Pre-Start Inspection	Before using each day; or whenever there's an Operator change.	User or Operator	User or Operator	Operator and Safety Manual
Pre-Delivery Inspection (See Note)	Before each sale, lease, or rental delivery.	Owner, Dealer, or User	Qualified JLG Mechanic	Service and Maintenance Manual and applicable JLG inspection form
Frequent Inspection (See Note)	In service for 3 months or 150 hours, whichever comes first; or Out of service for a period of more than 3 months; or Purchased used.	Owner, Dealer, or User	Qualified JLG Mechanic	Service and Maintenance Manual and applicable JLG inspection form
Annual Machine Inspection (See Note)	Annually, no later than 13 months from the date of prior inspection.	Owner, Dealer, or User	Factory Trained Service Technician (Recommended)	Service and Maintenance Manual and applicable JLG inspection form
Preventative Maintenance	At intervals as specified in the Service and Maintenance Manual.	Owner, Dealer, or User	Qualified JLG Mechanic	Service and Maintenance Manual
<b>NOTE:</b> Inspection forms are available from JLG. Use the Service and Maintenance Manual to perform inspections.				

## SECTION 2 - USER RESPONSIBILITIES, MACHINE PREPARATION, AND INSPECTION

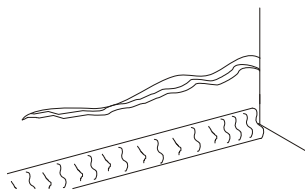


OAC00210

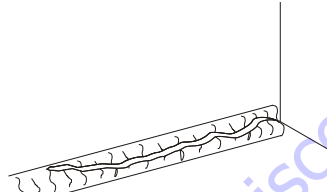
### Pre-Start Inspection

The Pre-Start Inspection should include each of the following:

1. **Cleanliness** – Check all surfaces for leakage (oil, fuel, or battery fluid) or foreign objects. Report any leakage to the proper maintenance personnel.
2. **Structure** - Inspect the machine structure for dents, damage, weld or parent metal cracks or other discrepancies.



Parent Metal Crack



Weld Crack

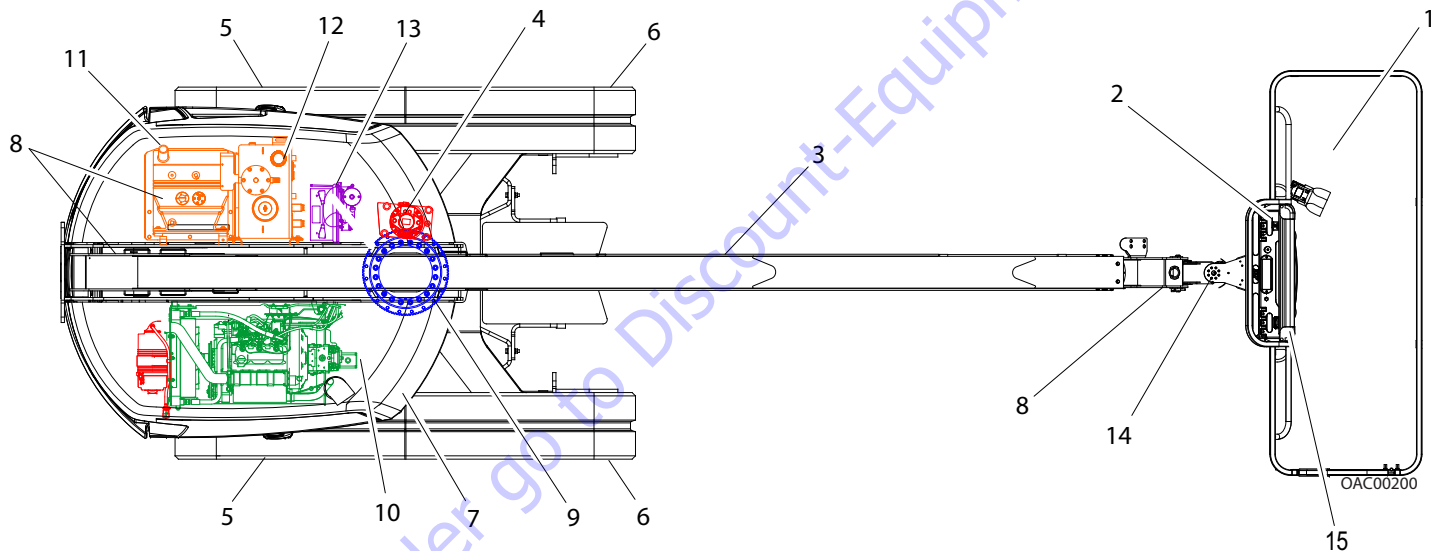
3. **Decals and Placards** – Check all for cleanliness and legibility. Make sure none of the decals and placards are missing. Make sure all illegible decals and placards are cleaned or replaced.
4. **Operation and Safety Manuals** – Make sure a copy of the Operator and Safety Manual, AEM Safety Manual (ANSI markets only), and ANSI Manual of Responsibilities (ANSI markets only) is enclosed in the weather resistant storage container.

5. **Daily Walk-Around Inspection** – Perform as instructed.
6. **Battery** – Charge as required.
7. **Fuel** (Combustion Engine Powered Machines) – Add the proper fuel as necessary.
8. **Engine Oil Supply** - Ensure the engine oil level is at the Full mark on the dipstick and the filler cap is secure.
9. **Hydraulic Oil** – Check the hydraulic oil level. Ensure hydraulic oil is added as required.
10. **Accessories/Attachments** - Reference the Operator and Safety Manual of each attachment or accessory installed upon the machine for specific inspection, operation, and maintenance instructions.
11. **Function Check** – Once the “Walk-Around” Inspection is complete, perform a functional check of all systems in an area free of overhead and ground level obstructions. Refer to Section 4 for more specific operating instructions.

### **WARNING**

**IF THE MACHINE DOES NOT OPERATE PROPERLY, TURN OFF THE MACHINE IMMEDIATELY! REPORT THE PROBLEM TO THE PROPER MAINTENANCE PERSONNEL. DO NOT OPERATE THE MACHINE UNTIL IT IS DECLARED SAFE FOR OPERATION.**

**Daily Walk-Around Inspection**



## SECTION 2 - USER RESPONSIBILITIES, MACHINE PREPARATION, AND INSPECTION

Begin the "Walk-Around Inspection" at Item 1, as noted on the diagram. Continue checking each item in sequence for the conditions listed in the following checklist.

### **WARNING**

**TO AVOID POSSIBLE INJURY, BE SURE MACHINE POWER IS OFF.**

**DO NOT OPERATE MACHINE UNTIL ALL MALFUNCTIONS HAVE BEEN CORRECTED.**

**INSPECTION NOTE:** *On all components, make sure there are no loose or missing parts, that they are securely fastened, and no visible damage, leaks or excessive wear exists in addition to any other criteria mentioned.*

- 1. Platform Assembly and Gate** - Footswitch works properly, not modified, disabled or blocked. Latch and hinges in working condition.
- 2. Platform & Ground Control Consoles** - Switches and levers return to neutral, decals/placards secure and legible, control markings legible.
- 3. Boom Sections/Turntable** - See Inspection Note.
- 4. Swing Drive** - No evidence of damage.
- 5. Track and Roller Assembly** - Properly secured, no missing nuts. Inspect for worn track, cuts, tears or other discrepancies. Inspect rollers for damage and corrosion.
- 6. Final Drive Hub** - No evidence of leakage.
- 7. Hood Assemblies** - See Inspection Note.
- 8. All Hydraulic Cylinders** - No visible damage; pivot pins and hydraulic hoses undamaged, not leaking.
- 9. Turntable Bearing** - Evidence of proper lubrication. No evidence of loose bolts or looseness between bearing and machine.
- 10. Hydraulic Pumps** - See Inspection Note.
- 11. Fuel Tank** - See Inspection Note.
- 12. Hydraulic Reservoir** - See Inspection Note.
- 13. Battery** - Batteries have proper electrolyte level; cables tight; see Inspection Note.
- 14. Platform Rotator** - See Inspection Note.
- 15. SkyGuard (If Equipped)** - See Inspection Note



## SECTION 2 - USER RESPONSIBILITIES, MACHINE PREPARATION, AND INSPECTION

---

### Function Check

Perform the Function Check as follows:

1. From the ground control console with no load in the platform:
  - a. Check that all guards protecting the switches or locks are in place;
  - b. Operate all functions and ensure proper operation;
  - c. Check auxiliary descent and ensure proper operation;
  - d. Ensure that all machine functions are disabled when the Emergency Stop Button is pushed in.
  - e. Ensure all boom functions stop when the function enable switch is released.
2. From the platform control console:
  - a. Ensure that the control console is firmly secured in the proper location;
  - b. Check that all guards protecting the switches or locks are in place;
  - c. Operate all functions and ensure proper operation;
  - d. Ensure that all machine functions are disabled when the Emergency Stop Button is pushed in.
  - e. Ensure that all machine functions stop when the foot-switch is released.
3. With the platform in the stowed position:
  - a. Drive the machine on a grade, not to exceed the rated gradeability, and stop to ensure the brakes hold;
  - b. Check that the tilt indicator is illuminated to ensure proper operation.
4. Swing the boom over either of the rear tires and ensure that the Drive Orientation indicator illuminates and that the Drive Orientation Override switch must be used for the drive function to operate.

### SkyGuard Function Test

**NOTE:** Refer to Section 4.9 for additional information on SkyGuard operation.

From the Platform Console in an area free from obstructions:

1. Operate the telescope out function.
2. Activate the SkyGuard sensor:
  - a. **SkyGuard** - Apply approximately 50 lb (222 Nm) of force to yellow bar.
  - b. **SkyGuard - SkyLine** - Press cable to break magnetic connection between the cable and right bracket.
  - c. **SkyGuard - SkyEye** - Put arm or hand in path of sensor beam.
3. Once the sensor has been activated, verify the following conditions:
  - a. Telescope out function stops and telescope in function operates for a short duration.
  - b. The horn sounds.
  - c. If equipped with a SkyGuard beacon, the beacon illuminates.

4. Disengage the SkyGuard sensor, release controls, then recycle the footswitch. Ensure normal operation is available.

**NOTE:** On machines equipped with SkyLine, reattach magnetic end of the cable to the bracket.

If SkyGuard remains activated after function reversal or cutout, depress and hold the SkyGuard Override Switch to allow normal use of machine functions until the sensor is disengaged.

**TO PURCHASE THIS PRODUCT PLEASE CONTACT US**



**Equipment Financing and  
Extended Warranties Available**



**Discount-Equipment.com is your online resource for  
commercial and industrial quality parts and equipment sales.**

**561-964-4949**

**visit us on line @ [www.discount-equipment.com](http://www.discount-equipment.com)**

Select an option below to find your Equipment

**Search by Manufacturer**

**Search by Product Type**

**Request a Quote**

We sell worldwide for the brands: Genie, Terex, JLG, MultiQuip, Mikasa, Essick, Whiteman, Mayco, Toro Stone, Diamond Products, Generac Magnum, Airman, Haulotte, Barreto, Power Blanket, Nifty Lift, Atlas Copco, Chicago Pneumatic, Allmand, Miller Curber, Skyjack, Lull, Skytrak, Tsurumi, Husquvarna Target, Stow, Wacker, Sakai, Mi-T-M, Sullair, Basic, Dynapac, MBW, Weber, Bartell, Bennar Newman, Haulotte, Ditch Runner, Menegotti, Morrison, Contec, Buddy, Crown, Edco, Wyco, Bomag, Laymor, EZ Trench, Bil-Jax, F.S. Curtis, Gehl Pavers, Heli, Honda, ICS/PowerGrit, IHI, Partner, Imer, Clipper, MMD, Koshin, Rice, CH&E, General Equipment, Amida, Coleman, NAC, Gradall, Square Shooter, Kent, Stanley, Tamco, Toku, Hatz, Kohler, Robin, Wisconsin, Northrock, Oztec, Toker TK, Rol-Air, APT, Wylie, Ingersoll Rand / Doosan, Innovatech, Con X, Ammann, Mecalac, Makinex, Smith Surface Prep, Small Line, Wanco, Yanmar

## SECTION 3. MACHINE CONTROLS AND INDICATORS

### 3.1 GENERAL

#### NOTICE

**THE MANUFACTURER HAS NO DIRECT CONTROL OVER MACHINE APPLICATION AND OPERATION. THE USER AND OPERATOR ARE RESPONSIBLE FOR CONFORMING WITH GOOD SAFETY PRACTICES.**

This section provides the necessary information needed to understand control functions.

### 3.2 CONTROLS AND INDICATORS

**NOTE:** All machines are equipped with control consoles that use symbols to indicate control functions. On ANSI machines refer to decal located on the control box guard in front of the control box or by the ground controls for these symbols and the corresponding functions.

**NOTE:** The indicator panels use different shaped symbols to alert the operator to different types of operational situations that could arise. The meaning of those symbols are explained below.



Indicates a potentially hazardous situation, which if not corrected, could result in serious injury or death. This indicator will be red.



Indicates an abnormal operating condition, which if not corrected, may result in machine interruption or damage. This indicator will be yellow.



Indicates important information regarding the operating condition, i.e. procedures essential for safe operation. This indicator will be green with the exception of the capacity indicator which will be green or yellow depending upon platform position.

### **WARNING**

TO AVOID SERIOUS INJURY, DO NOT OPERATE MACHINE IF ANY CONTROL LEVERS OR TOGGLE SWITCHES CONTROLLING PLATFORM MOVEMENT DO NOT RETURN TO THE OFF POSITION WHEN RELEASED.

## Ground Control Console

(See Figure 3-1.)

### 1. Indicator Panel

The Indicator Panel contains indicator lights that signal problem conditions or functions operating during machine operation.

**NOTE:** *The Function Enable switch must be held down to operate Main Boom Telescope, Swing, Main Lift, Platform Level Override, and Platform Rotate functions.*



### 2. Display Gauge

Registers amount of time machine has been in use, with engine running. The hour meter registers up to 16,500 hours and cannot be reset.



### 3. Engine Start/ Auxiliary Power /Function Enable

To start engine, switch must be held "UP" until the engine starts.

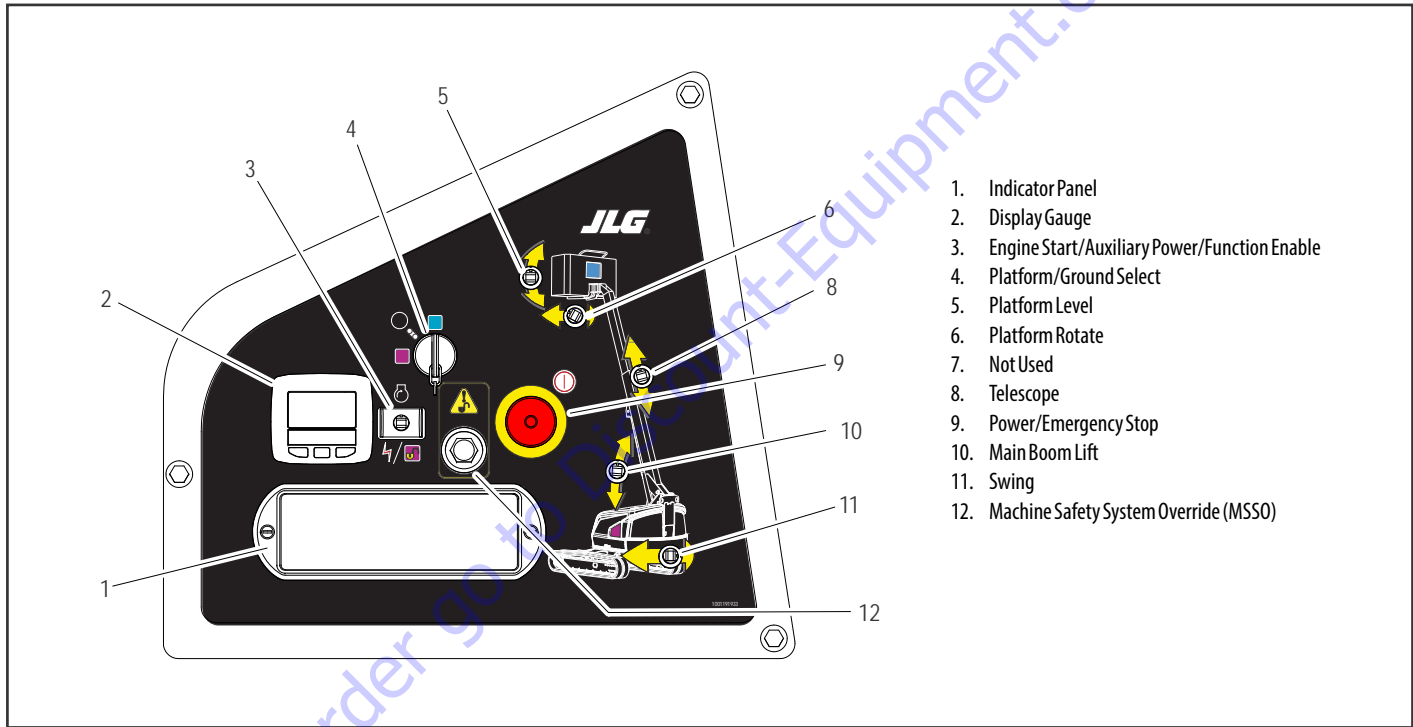


To use auxiliary power, switch must be held "DOWN" for duration of function use.



When engine is running, the switch must be held "DOWN" to enable all boom controls.





1. Indicator Panel
2. Display Gauge
3. Engine Start/Auxiliary Power/Function Enable
4. Platform/Ground Select
5. Platform Level
6. Platform Rotate
7. Not Used
8. Telescope
9. Power/Emergency Stop
10. Main Boom Lift
11. Swing
12. Machine Safety System Override (MSSO)

Figure 3-1. Ground Control Console - 400SC w/MSSO

## SECTION 3 - MACHINE CONTROLS AND INDICATORS

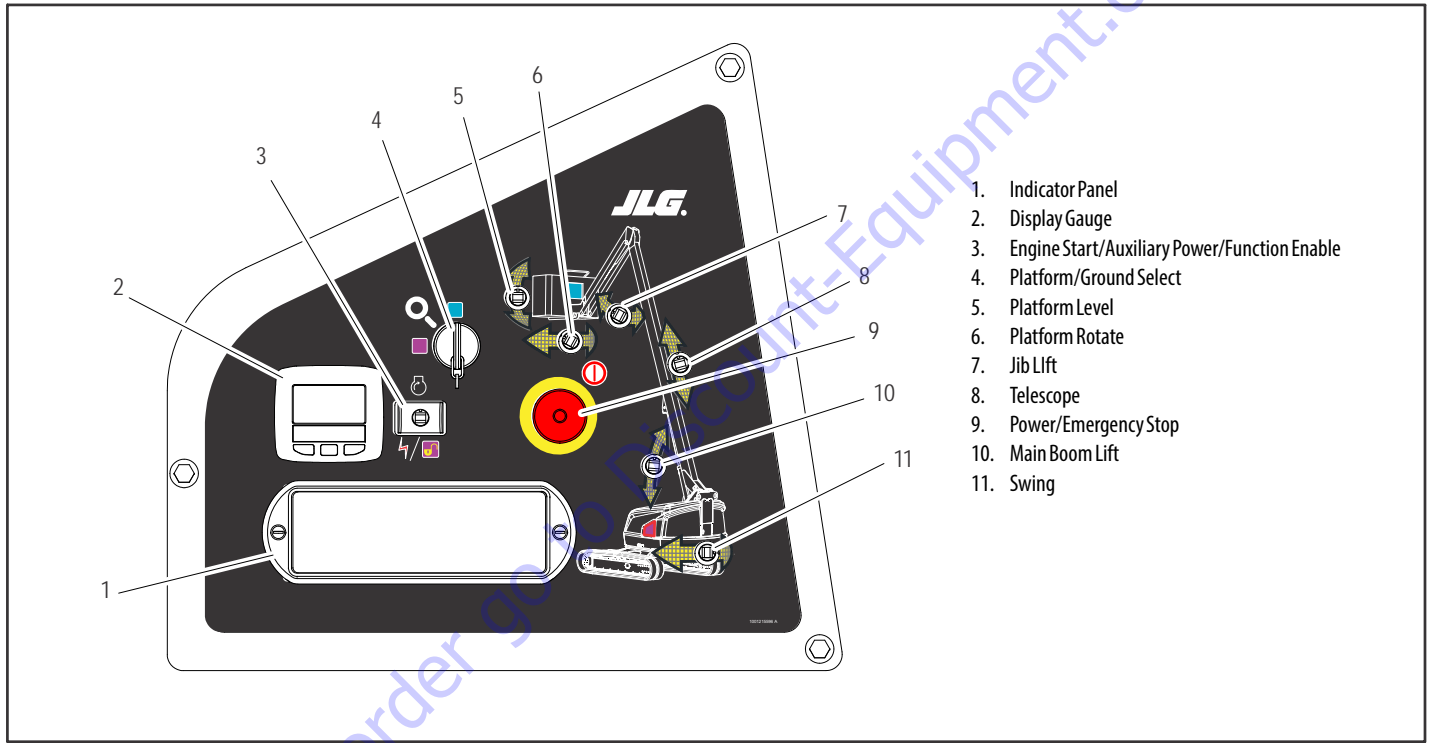


Figure 3-2. Ground Control Console - 4605JC

**NOTE:** When the Platform/Ground Select Switch is in the center position, power is shut off to the controls at both operating consoles. Remove key to prevent controls from being actuated.

### 4. Platform/Ground Select Switch

The three position, key operated switch supplies power to the platform control console when positioned to PLATFORM. With the switch key turned to the GROUND position only ground controls are operable.



### **⚠ WARNING**

**ONLY USE THE PLATFORM LEVELING OVERRIDE FUNCTION FOR SLIGHT LEVELING OF THE PLATFORM. INCORRECT USE COULD CAUSE THE LOAD/OCCUPANTS TO SHIFT OR FALL. FAILURE TO DO SO COULD RESULT IN DEATH OR SERIOUS INJURY.**

### 5. Platform Leveling Override

A three position switch allows the operator to adjust the automatic self leveling system. This switch is used to adjust platform level in situations such as ascending/descending a grade.



### 6. Platform Rotate

Provides rotation of the platform.



### 7. Jib Lift (If Equipped)

Provides raising and lowering of the jib.

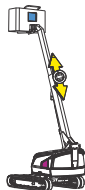




## SECTION 3 - MACHINE CONTROLS AND INDICATORS

### 8. Telescope Control

Provides extension and retraction of the boom.



### 10. Main Boom Lift

Provides raising/lowering of the main boom when positioning up or down.

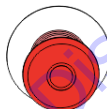


## **⚠ CAUTION**

**WHEN THE MACHINE IS SHUT DOWN THE POWER/EMERGENCY STOP SWITCH MUST BE POSITIONED TO THE OFF POSITION TO PREVENT DRAINING THE BATTERIES.**

### 9. Power/Emergency Stop Switch

A two-position red mushroom shaped switch supplies power to PLATFORM/GROUND SELECT switch when pulled out (on). When pushed in (off), power is shut off to the PLATFORM/GROUND SELECT switch.



### 11. Swing

Provides 360 degree continuous turntable rotation.



### 12. Machine Safety System Override (MSSO)

Provides emergency override of function controls that are locked out in the event of Load Sense System activation.



**Ground Control Indicator Panel**

(See Figure 3-3., Ground Control Indicator Panel)

**1. Battery Malfunction Indicator**

Indicates a problem in the battery or charging circuit, and service is required.



**2. Low Engine Oil Pressure Indicator**

Indicates engine oil pressure is below normal and service is required.



**3. Engine Oil Temperature Indicator**

Indicates engine oil temperature, which also serves as engine coolant, is abnormally high and service is required.



**4. Low Fuel Level Indicator**

Indicates fuel level is low. The Fuel Reserve/Cut-Out System will shut the engine down (or allow it start and run for an additional minute, depending upon machine setup) before fuel tank is empty.



**5. Glow Plug Indicator**

Indicates glow plugs are operating. After turning on ignition, wait until light goes out before cranking engine.



**6. System Distress Indicator**

Indicates the JLG Control System has detected an abnormal condition and a Diagnostic Trouble Code has been set in system memory. Refer to the Service Manual for trouble codes and trouble code retrieval instructions.



The system distress indicator light illuminates for 2-3 seconds as a self test when key is positioned to the on position.

**7. Platform Overload Indicator**

Indicates platform has been overloaded.



**8. Drive and Steer Disable Indicator**

Indicates Drive and Steer Disable function has been activated.



## SECTION 3 - MACHINE CONTROLS AND INDICATORS

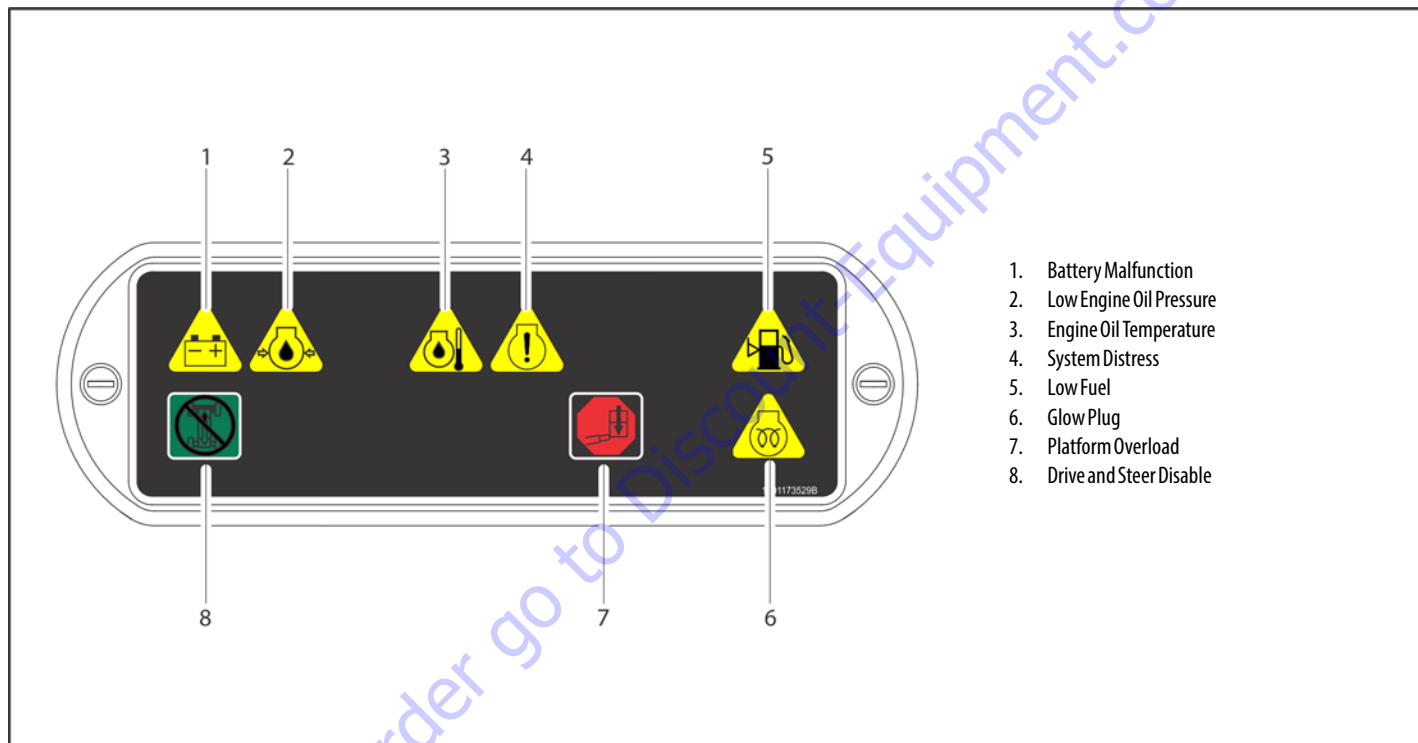


Figure 3-3. Ground Control Indicator Panel

## Ground Control Console Display Gauge

*(See Figure 3-7., Ground Control Console Display Gauge)*

The Display Gauge shows engine hours, fuel level (if applicable), and Diagnostic Trouble Codes (DTCs) from both the JLG Control System and the engine control system.

During machine start up, with no active DTCs in the control system, the splash screen displays for 3 seconds and then switches to the main screen. If there is an active DTC when powering up the machine, the splash screen displays for 3 seconds and then launches the Diagnostics Screen.

The indicator lamp lights when there is an active DTC in the Fault Log.



**Figure 3-4. Splash Screen**

## SECTION 3 - MACHINE CONTROLS AND INDICATORS

The Diagnostic Screen displays active and inactive faults from the JLG Control System. An asterisk (\*) indicates active faults.

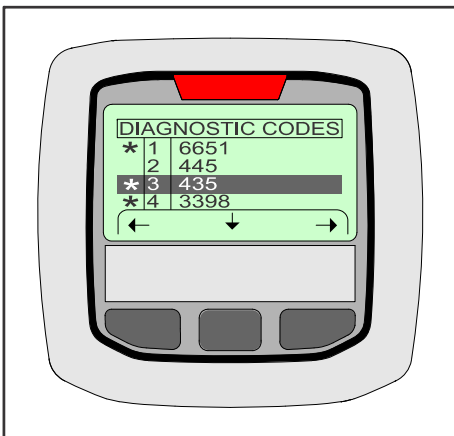


Figure 3-5. Diagnostic Screen

The Engine Diagnostics Screen displays the SPN (Suspect Parameter Number), FMI (Failure Mode Identifier), and Occurrence Count Information.

Engine SPN text is not scrollable. If there is more than one engine trouble code, the operator must exit from the Engine DTC Screen to see other SPN and FMI information.

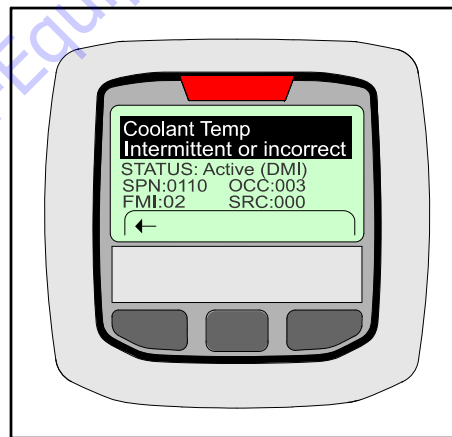


Figure 3-6. Engine Diagnostic Screen

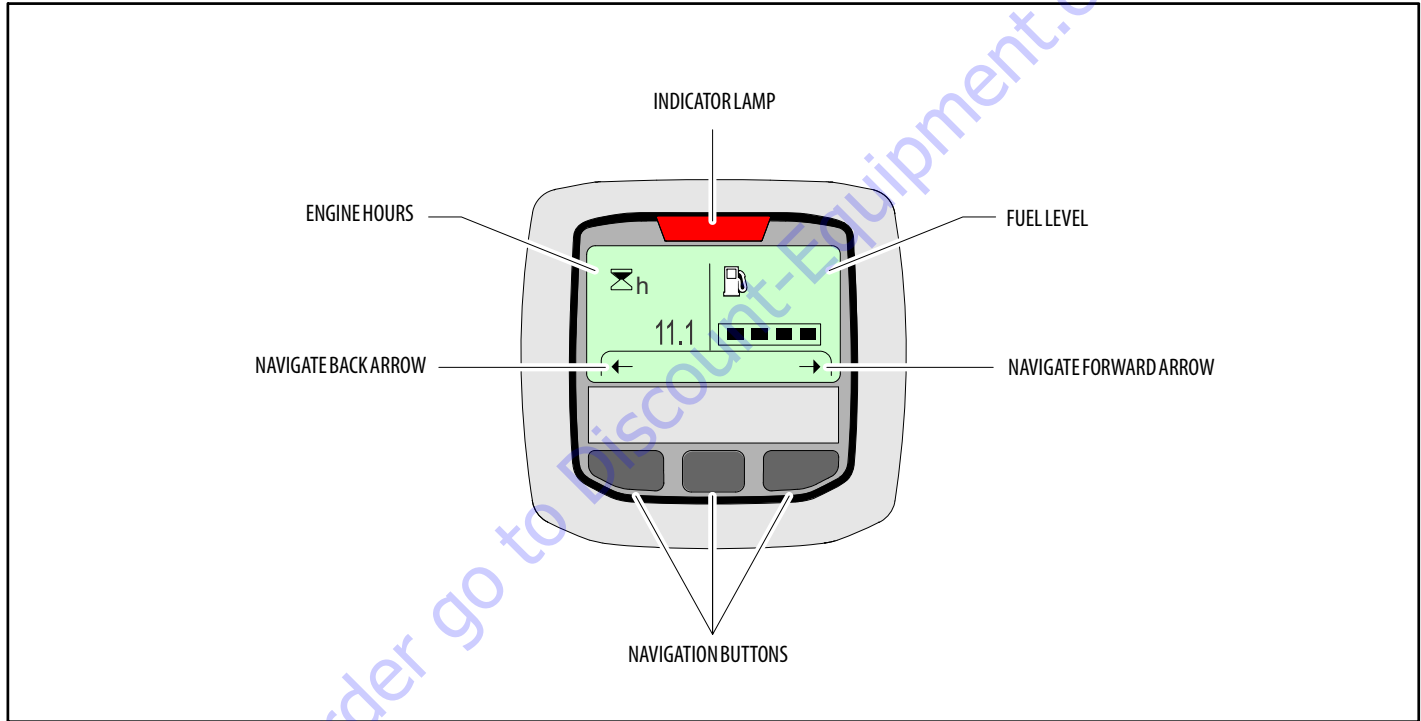


Figure 3-7. Ground Control Console Display Gauge

### Platform Console

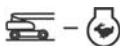
(See Figure 3-8., Platform Control Console)

#### **⚠ WARNING**

**TO AVOID SERIOUS INJURY, DO NOT OPERATE MACHINE IF ANY CONTROL LEVERS OR TOGGLE SWITCHES CONTROLLING PLATFORM MOVEMENT DO NOT RETURN TO THE OFF OR NEUTRAL POSITION WHEN RELEASED.**

#### 1. Drive Speed/Torque Select

The forward position gives maximum drive speed. The back position gives maximum torque for rough terrain and climbing grades.

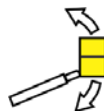


#### **⚠ WARNING**

**ONLY USE PLATFORM LEVELING OVERRIDE FUNCTION FOR SLIGHT LEVELING OF THE PLATFORM. INCORRECT USE COULD CAUSE THE LOAD/OCCUPANTS TO SHIFT OR FALL. FAILURE TO DO SO COULD RESULT IN DEATH OR SERIOUS INJURY.**

#### 2. Platform Leveling Override

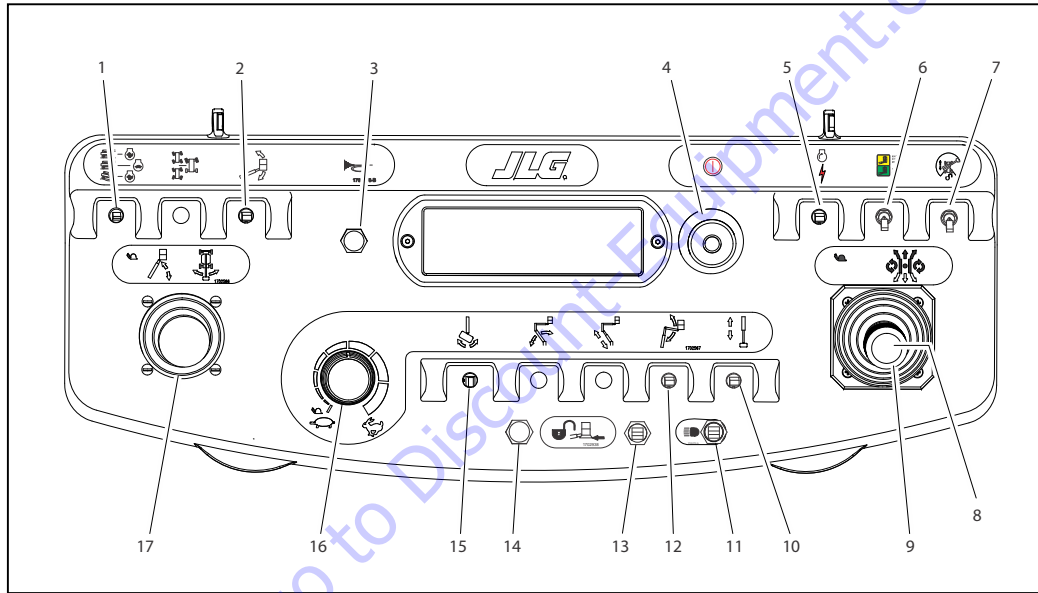
A three position switch allows the operator to adjust the automatic self leveling system. This switch is used to adjust platform level in situations such as ascending/descending a grade.



#### 3. Horn

A push-type HORN switch supplies electrical power to an audible warning device when pressed.





- |                                |                               |                                  |                                   |
|--------------------------------|-------------------------------|----------------------------------|-----------------------------------|
| 1. Drive Speed / Torque Select | 6. Capacity Select            | 10. Telescope                    | 14. Soft Touch/SkyGuard Indicator |
| 2. Platform Level Override     | 7. Drive Orientation Override | 11. Lights                       | 15. Platform Rotate               |
| 3. Horn                        | 8. Drive/Steer Enable         | 12. Jib Lift (If Equipped)       | 16. Function Speed Control        |
| 4. Power/Emergency Stop        | 9. Drive Steer                | 13. Soft Touch/SkyGuard Override | 17. Main Lift / Swing Control     |
| 5. Start / Aux Power           |                               |                                  |                                   |

**Figure 3-8. Platform Control Console**



## SECTION 3 - MACHINE CONTROLS AND INDICATORS

### 4. Power/Emergency Stop Switch

A two-position red mushroom shaped switch furnishes power to PLATFORM Controls when pulled out (on). When pushed in (off), power is shut off to the platform functions.



### 5. Start/Auxiliary Power

When pushed forward, the switch energizes the starter motor to start the engine.



The Auxiliary Power control switch energizes the electrically operated hydraulic pump. (Switch must be held ON for duration of auxiliary pump use.)



The auxiliary pump functions to provide sufficient oil flow to operate basic machine functions should the main pump or engine fail. The auxiliary pump operates the main boom lift, main telescope, and swing functions.

### 6. Capacity Select

This switch allows the operator to select an operating envelope with a 270 kg (600 lb) or 450 kg (1000 lb) capacity restriction.



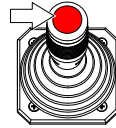
### 7. Drive Orientation Override

When the boom is swung over the rear chassis or further in either direction, the Drive Orientation indicator will illuminate when the drive function is selected. Push and release the switch, and within 3 seconds move the Drive/Steer control to activate drive or steer. Before driving, locate the black/white orientation arrows on both the chassis and the platform controls. Move the drive controls in a direction matching the directional arrows.



### 8. Drive/Steer Enable

Located on the top of the Drive Steer Joystick, the button must be pushed in for the Drive/Steer control to function. If at any time the Enable Switch is pushed in and no function is operated for a period of 3 seconds, the switch will "time-out" and the switch must be cycled again to renew normal functions.



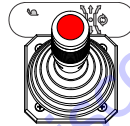
Moving the joystick to the side (no dislocation in the forward or aft direction) will turn the machine by counter-rotation around the center of the machine by powering the tracks in opposite directions.

Pulling the joystick back and to the sides controls speed and direction of drive in reverse.

**NOTE:** Both drive and steer functions work in the opposite direction when the boom is positioned over front of the chassis (over idler wheels).

### 9. Drive/Steer

Proportional dual axis joystick is provided to control drive and steer.



Push forward to drive straight forward. The joystick is proportional, with the drive speed increasing as the joystick is moved further from its neutral position.

Moving the joystick forward and to the side steers the machine in the direction of the side displacement of the joystick.

With the joystick positioned all the way to the side and slightly forward, the machine will turn in place with one track stopped and the other one turning the machine around the center of the stopped track.

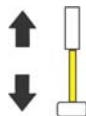
**NOTE:** When boom is positioned above horizontal and any of the following switches, DRIVE SPEED/TORQUE SELECT or FUNCTION SPEED, are positioned to HIGH, high function speeds are automatically cut out and the machine continues to operate at a lower speed.

**NOTE:** The drive/steer control joystick can only command counter-rotate by being moved in the joystick's left - to - right axis, after first achieving the joystick neutral position.

## SECTION 3 - MACHINE CONTROLS AND INDICATORS

### 10. Telescope

Provides extension and retraction of the main boom.



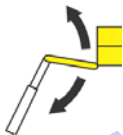
### 11. Lights (If Equipped)

This switch operates chassis lights if the machine is so equipped.



### 12. Jib Lift (If Equipped)

Provides for raising or lowering of the jib by positioning up/down.



### 13. Soft Touch/SkyGuard Override Switch

The machine can be equipped with one of three options. It may have Soft Touch, SkyGuard, or both Soft Touch and SkyGuard.

If equipped with Soft Touch, the switch enables the functions that were cut out by the Soft Touch system to operate again at creep speed, allowing the operator to move the platform away from the obstacle that caused the shutdown situation.



If equipped with SkyGuard, the switch enables functions cut out by the Skyguard system to be operated again, allowing the operator to resume use of machine functions.



If equipped with both Soft Touch and SkyGuard, the switch operates like described above and allows the operator to override the system that has experienced a cutout situation.



## SECTION 3 - MACHINE CONTROLS AND INDICATORS

### 14. Soft Touch/SkyGuard Indicator

Indicates Soft Touch bumper is against an object or the SkyGuard sensor has been activated. All controls are cut out until the override button is pushed. For Soft Touch, controls are then active in the Creep Mode or for SkyGuard, controls will work normally.

When Soft touch is active, the indicator will be on continuously and the alarm will sound. When SkyGuard is active, the indicator will flash and the horn will sound continuously.

### 15. Platform Rotate

Provides rotation of the platform when positioned to the right or left.

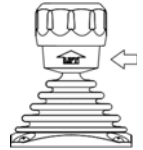


### 16. Function Speed Control

This control affects telescope speed. Turning the knob all the way counterclockwise until it clicks places drive and swing functions in creep mode.



**NOTE:** To operate the Main Boom Lift/Swing joystick, pull up on the locking ring below the handle.



**NOTE:** The Main Boom Lift/Swing joystick is spring loaded and will automatically return to neutral (off) position when released.

### 17. Main Lift/Swing Controller

Provides main lift and swing. Push forward to lift up, pull backward to boom down. Move right to swing right, move left to swing left. Moving the joystick activates switches to provide the functions selected.



## SECTION 3 - MACHINE CONTROLS AND INDICATORS

### Platform Control Indicator Panel

(See Figure 3-9., Platform Control Indicator Panel)

**NOTE:** Indicator lights illuminate as a self test for approximately 1 second when key is turned to the on position.

1. AC Generator (If Equipped)

Indicates the generator is in operation.



2. Platform Overload Indicator (If Equipped)

Indicates platform has been overloaded.



3. Capacity Indicator

Indicates maximum platform capacity for the current position of the platform. Restricted capacities are permitted at restricted platform positions (shorter boom lengths and higher boom angles).



**NOTE:** Refer to capacity decals on the machine for restricted and unrestricted platform capacities.

4. Tilt Alarm Warning Light and Alarm



This red illuminator indicates the chassis is on an excessive slope. An alarm will also sound when the chassis is on an excessive slope and the boom is out of transport position.

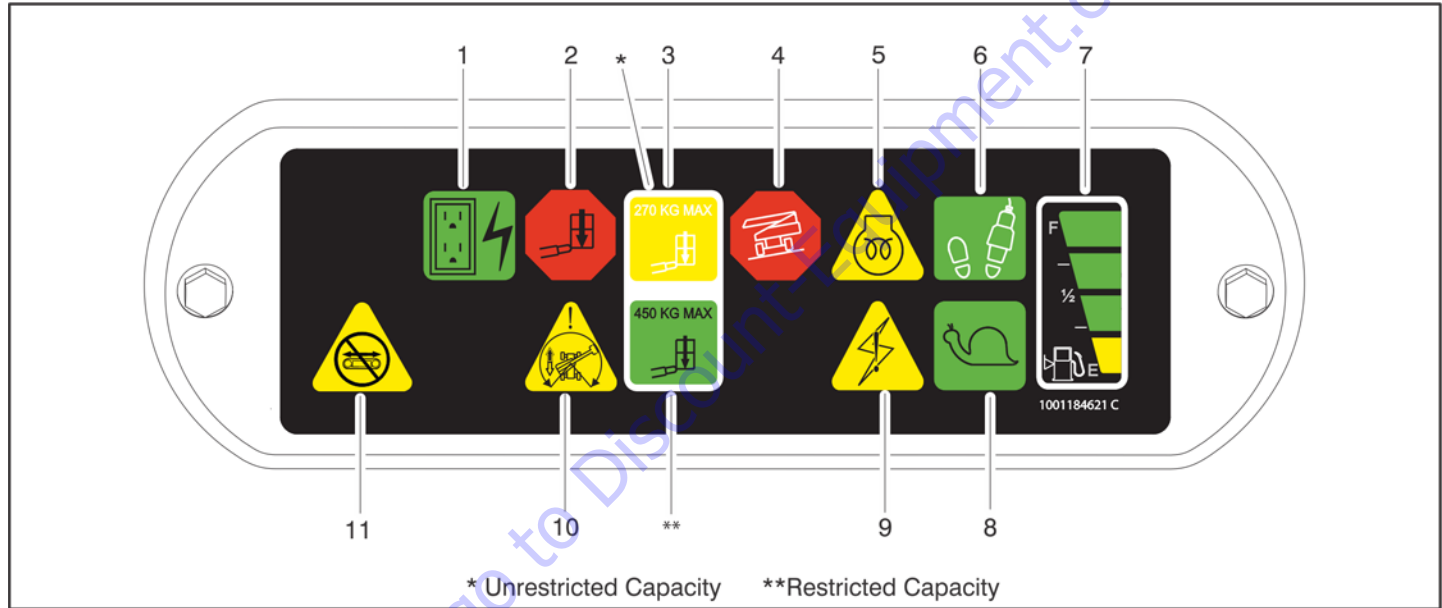
If lit when boom is out of transport position, lower to below horizontal then reposition machine so it is level before continuing operation.

If the boom is above horizontal and machine is on a slope, the tilt alarm warning light will illuminate, an alarm will sound, and CREEP is automatically activated.

Tilt Angle	Market
3°	CE & Australia
5°	ANSI, CSA & Japan

### WARNING

**IF TILT WARNING LIGHT IS ILLUMINATED WHEN BOOM IS RAISED OR EXTENDED, RETRACT AND LOWER TO BELOW HORIZONTAL THEN REPOSITION MACHINE SO THAT IT IS LEVEL BEFORE EXTENDING BOOM OR RAISING BOOM ABOVE HORIZONTAL.**



**Figure 3-9. Platform Control Indicator Panel**

## SECTION 3 - MACHINE CONTROLS AND INDICATORS

### 5. Glow Plug/Wait to Start Indicator

Indicates the glow plugs are operating. After turning on ignition, wait until light goes out before starting engine.



### 6. Enable Indicator/Footswitch

To operate any function, the footswitch must be depressed and function selected within seven seconds. The enable indicator shows controls are enabled. If a function is not selected within seven seconds, or if a seven second lapse between ending one function and beginning the next function, the enable light will go out and the footswitch must be released and depressed again to enable the controls.



Releasing the footswitch removes power from all controls and applies the drive brakes.

### **⚠ WARNING**

**TO AVOID SERIOUS INJURY, DO NOT REMOVE, MODIFY OR DISABLE FOOTSWITCH BY BLOCKING OR ANY OTHER MEANS.**

### **⚠ WARNING**

**FOOTSWITCH MUST BE ADJUSTED IF FUNCTIONS ACTIVATE WHEN SWITCH ONLY OPERATES WITHIN LAST 1/4" OF TRAVEL, TOP OR BOTTOM.**

### 7. Fuel Level Indicator

Indicates level of fuel in the tank.

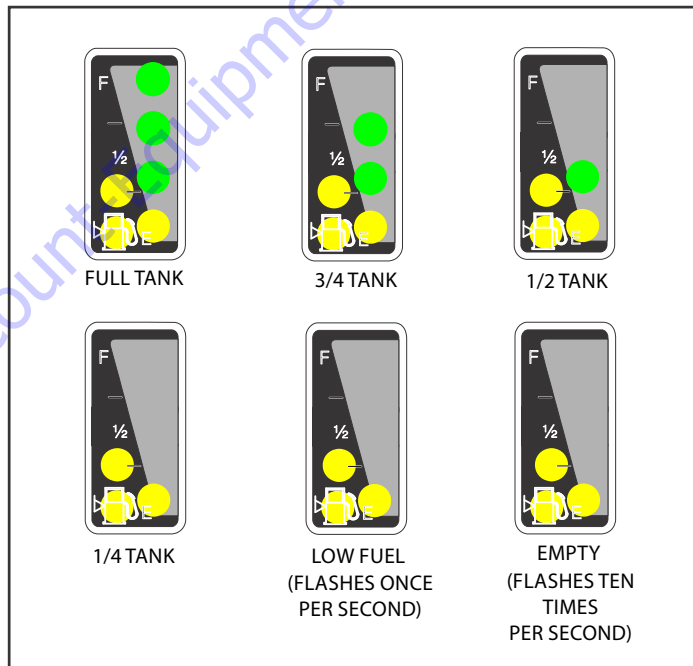


Figure 3-10. Fuel Level Indicator

### 8. Creep Speed Indicator

When the Function Speed Control is turned to the creep position, the indicator acts as a reminder that all functions are set to the slowest speed. The light flashes if the control system puts the machine into creep speed and will be on continuously if the operator selects creep speed.



### 9. System Distress Indicator

Indicates the JLG Control System has detected an abnormal condition and a Diagnostic Trouble Code has been set in system memory. Refer to Service Manual for instructions concerning trouble codes and trouble code retrieval.



### 10. Drive Orientation Indicator

When the boom is swung beyond the tracks or further in either direction, the Drive Orientation indicator will illuminate when the drive function is selected. This is a signal for the operator to verify the drive control is being operated in the proper direction (i.e. controls reversed situations).



### 11. Drive Disabled Indicator

When illuminated, the drive function has been disabled. (Refer to Drive Function Operating Range Diagrams in Section 2).





**TO PURCHASE THIS PRODUCT PLEASE CONTACT US**



**Equipment Financing and  
Extended Warranties Available**



**Discount-Equipment.com is your online resource for  
commercial and industrial quality parts and equipment sales.**

**561-964-4949**

**visit us on line @ [www.discount-equipment.com](http://www.discount-equipment.com)**

Select an option below to find your Equipment

**Search by Manufacturer**

**Search by Product Type**

**Request a Quote**

We sell worldwide for the brands: Genie, Terex, JLG, MultiQuip, Mikasa, Essick, Whiteman, Mayco, Toro Stone, Diamond Products, Generac Magnum, Airman, Haulotte, Barreto, Power Blanket, Nifty Lift, Atlas Copco, Chicago Pneumatic, Allmand, Miller Curber, Skyjack, Lull, Skytrak, Tsurumi, Husquvarna Target, Stow, Wacker, Sakai, Mi-T-M, Sullair, Basic, Dynapac, MBW, Weber, Bartell, Bennar Newman, Haulotte, Ditch Runner, Menegotti, Morrison, Contec, Buddy, Crown, Edco, Wyco, Bomag, Laymor, EZ Trench, Bil-Jax, F.S. Curtis, Gehl Pavers, Heli, Honda, ICS/PowerGrit, IHI, Partner, Imer, Clipper, MMD, Koshin, Rice, CH&E, General Equipment, Amida, Coleman, NAC, Gradall, Square Shooter, Kent, Stanley, Tamco, Toku, Hatz, Kohler, Robin, Wisconsin, Northrock, Oztec, Toker TK, Rol-Air, APT, Wylie, Ingersoll Rand / Doosan, Innovatech, Con X, Ammann, Mecalac, Makinex, Smith Surface Prep, Small Line, Wanco, Yanmar

## SECTION 4. MACHINE OPERATION

### 4.1 DESCRIPTION

This machine is a mobile elevating work platform used to position personnel, along with their necessary tools and materials at work locations.

The primary operator control console is in the platform. From this control console, the operator can drive and steer the machine in forward and reverse directions. The operator can raise or lower the boom, or swing the boom to the left or right. Standard boom swing is 360 degree continuous. The machine has a Ground Control Console which overrides the Platform Control Console. Ground Controls operate Boom Lift and Swing, and are used in an emergency to lower the platform to the ground, should the operator in the platform be unable to do so.

### 4.2 BOOM OPERATING CHARACTERISTICS AND LIMITATIONS

#### Capacities

Raising boom above horizontal with or without any load in platform, is based on the following criteria:

1. Machine is positioned on a smooth, firm and level surface.
2. Load is within manufacturers rated design capacity.
3. All machine systems are functioning properly.
4. Machine is as originally equipped from JLG.

#### Stability

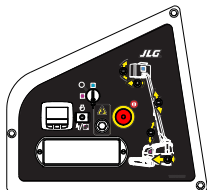
Machine stability is based on two (2) conditions which are called FORWARD and BACKWARD stability. The machine's position of least FORWARD stability is shown in Figure 4-1., and its position of least BACKWARD stability is shown in Figure 4-2.

#### WARNING

**TO AVOID FORWARD OR BACKWARD TIPPING, DO NOT OVERLOAD MACHINE OR OPERATE MACHINE ON AN OUT-OF-LEVEL SURFACE.**

### 4.3 ENGINE OPERATION

**NOTE:** Initial starting should always be performed from the Ground Control console.



#### Starting Procedure

#### **CAUTION**

**IF ENGINE FAILS TO START PROMPTLY, DO NOT CRANK FOR AN EXTENDED TIME. SHOULD ENGINE FAIL TO START AGAIN, ALLOW STARTER TO "COOL OFF" FOR 2-3 MINUTES. IF ENGINE FAILS AFTER SEVERAL ATTEMPTS, REFER TO ENGINE MAINTENANCE MANUAL.**

**NOTE:** Diesel engines only: After turning on ignition, operator must wait until glow plug indicator light goes out before cranking engine.

1. Turn Platform/Ground Select key switch to Ground.



2. Pull Power/Emergency Stop switch to On.



3. Push Engine Start switch until engine starts.



#### **CAUTION**

**ALLOW ENGINE TO WARM-UP FOR A FEW MINUTES AT LOW SPEED BEFORE APPLYING ANY LOAD.**

4. After engine has had sufficient time to warm up, push in Power/Emergency Stop switch and shut engine off.



5. Turn Platform/Ground Select key switch to Platform.



6. From Platform, pull Power/Emergency Stop switch out.



7. Push Engine Start switch until engine starts.



## Fuel Reserve / Shut-Off System

The Fuel Shutoff System senses when the fuel level is low and automatically shuts engine down before fuel tank is empty.

Depending on machine setup, the machine will keep engine shut down until fuel tank is refilled or the operator will be able to restart and run the engine for an additional minute. After 1 minute, the engine will shut off for a second time and machine will return to engine shutdown mode until fuel tank is refilled.

**NOTE:** Footswitch must be in released (up) position before starter will operate. If starter operates with footswitch in depressed position, DO NOT OPERATE MACHINE.

## Shutdown Procedure

### CAUTION

**IF AN ENGINE MALFUNCTION CAUSES AN UNSCHEDULED SHUTDOWN, DETERMINE THE CAUSE AND CORRECT IT BEFORE RESTARTING THE ENGINE.**

1. Remove all load and allow engine to operate at low speed for 3-5 minutes; this allows further reduction of internal engine temperature.
2. Push Power/Emergency Stop switch in.



3. Turn Platform/Ground Select key switch to Off.

Refer to Engine Manufacturer's manual for detailed information.



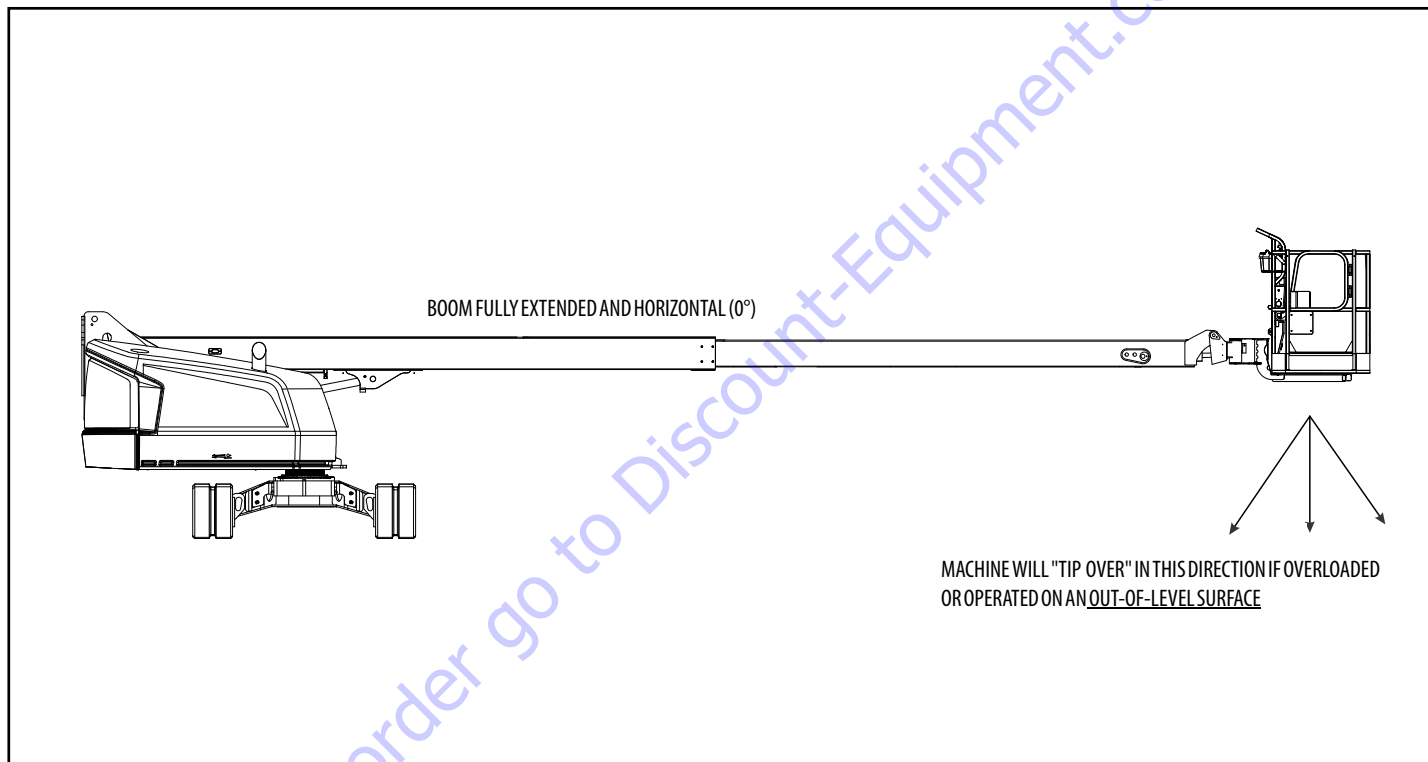


Figure 4-1. Position of Least Forward Stability

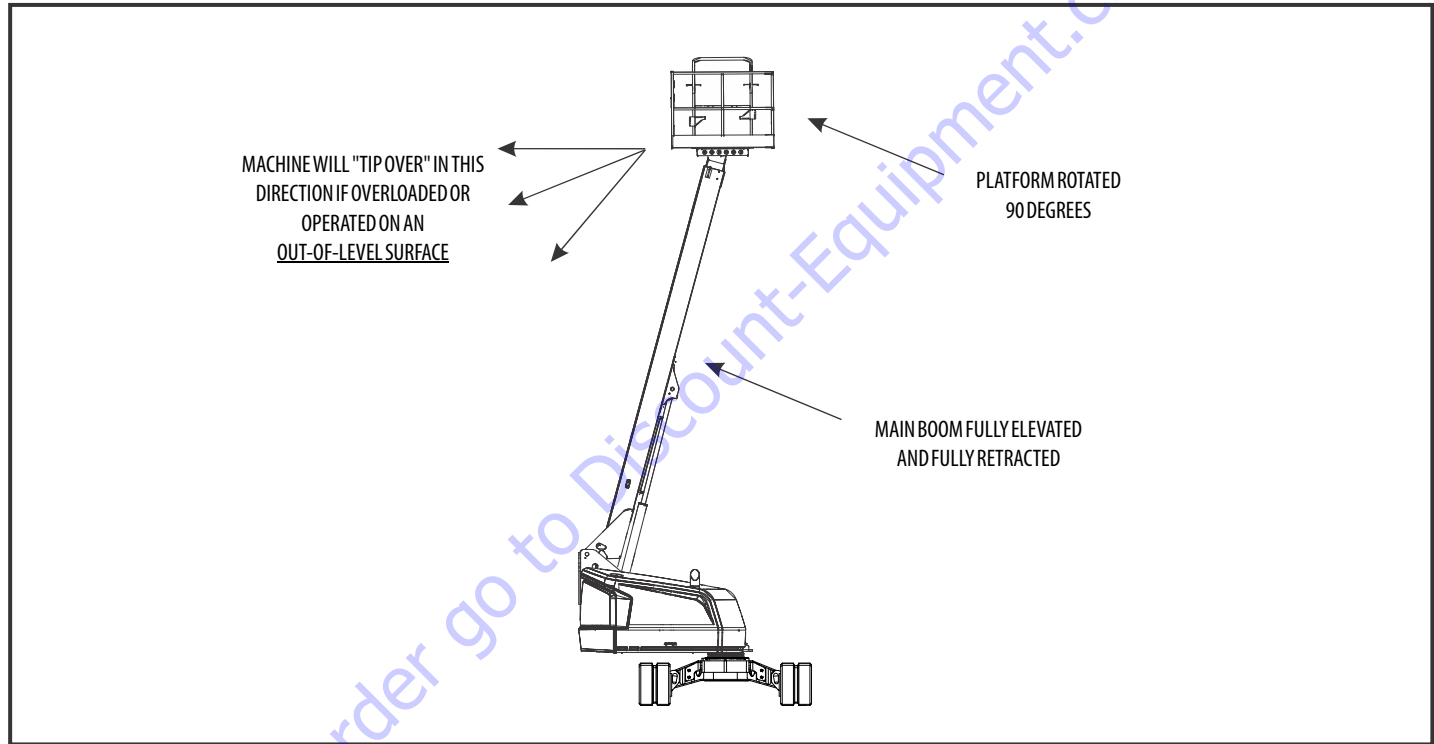


Figure 4-2. Position of Least Backward Stability

### 4.4 TRAVELING (DRIVING)

See Figure 4-3., Grade and Side Slopes

**NOTE:** Refer to the Operating Specifications table for Gradeability and Sideslope ratings.

All ratings for Gradeability and Sideslope are based upon the machine's boom being in the stowed position, fully lowered, and retracted.

Traveling is limited by two factors:

1. Gradeability, which is the percent of grade of the incline the machine can climb.
2. Sideslope, which is the angle of the slope the machine can be driven across.

#### **WARNING**

**DO NOT DRIVE WITH BOOM EXTENDED OR ABOVE HORIZONTAL EXCEPT ON A SMOOTH, FIRM AND LEVEL SURFACE.**

**TO AVOID LOSS OF TRAVEL CONTROL OR UPSET ON GRADES AND SIDESLOPES, DO NOT DRIVE MACHINE ON GRADES OR SIDESLOPES EXCEEDING THOSE SPECIFIED ON MANUFACTURERS NAMEPLATE LOCATED ON THE FRAME.**

**ENSURE TURNTABLE LOCK IS ENGAGED BEFORE BEGINNING ANY EXTENDED TRAVELING. AVOID ANY TERRAIN FEATURES WHICH COULD CAUSE THE MACHINE TO UPSET.**

#### **WARNING**

**DRIVE SPEED/TORQUE SELECT SWITCH SHOULD BE IN THE BACKWARD POSITION FOR:**

- TRAVELING GRADES
- TRAVELING IN DIFFICULT CONDITIONS
- SHARP TURNS (ESPECIALLY WITH ONE TRACK STOPPED)
- COUNTERROTATION

#### **WARNING**

**USE EXTREME CAUTION WHEN DRIVING IN REVERSE AND AT ALL TIMES WHEN DRIVING WITH THE PLATFORM ELEVATED AND SPECIALLY WHEN DRIVING WITH ANY PART OF THE MACHINE WITHIN 6 FEET (2M) OF AN OBSTRUCTION. DO NOT USE DRIVE TO MANEUVER PLATFORM CLOSE TO AN OBSTRUCTION. USE ONE OF THE BOOM FUNCTIONS.**

**USE EXTREME CAUTION WHEN APPROACHING A CREST OF ANY TERRAIN OBSTACLE. CHECK FOR CURBS, LARGE STONES, OR OTHER TERRAIN OBSTACLES INCLUDING OVERHEAD OBSTACLES AS THE MACHINE WILL MAKE UNCONTROLLED PIVOTING MOTIONS WHEN THE CENTER OF GRAVITY (CENTER OF TRACK FRAME) SHIFTS OVER AN EDGE. SLOW DOWN TO MINIMIZE ACCELERATION DURING PIVOTING MOVEMENT.**

**BEFORE DRIVING, MAKE SURE THE BOOM IS POSITIONED OVER THE REAR OF THE CHASSIS (OVER FINAL DRIVES AND SPROCKETS). IF THE BOOM IS OVER THE FRONT OF THE CHASSIS (OVER THE IDLER WHEELS) STEER AND DRIVE CONTROLS WILL MOVE IN OPPOSITE DIRECTIONS TO MACHINE CONTROLS.**

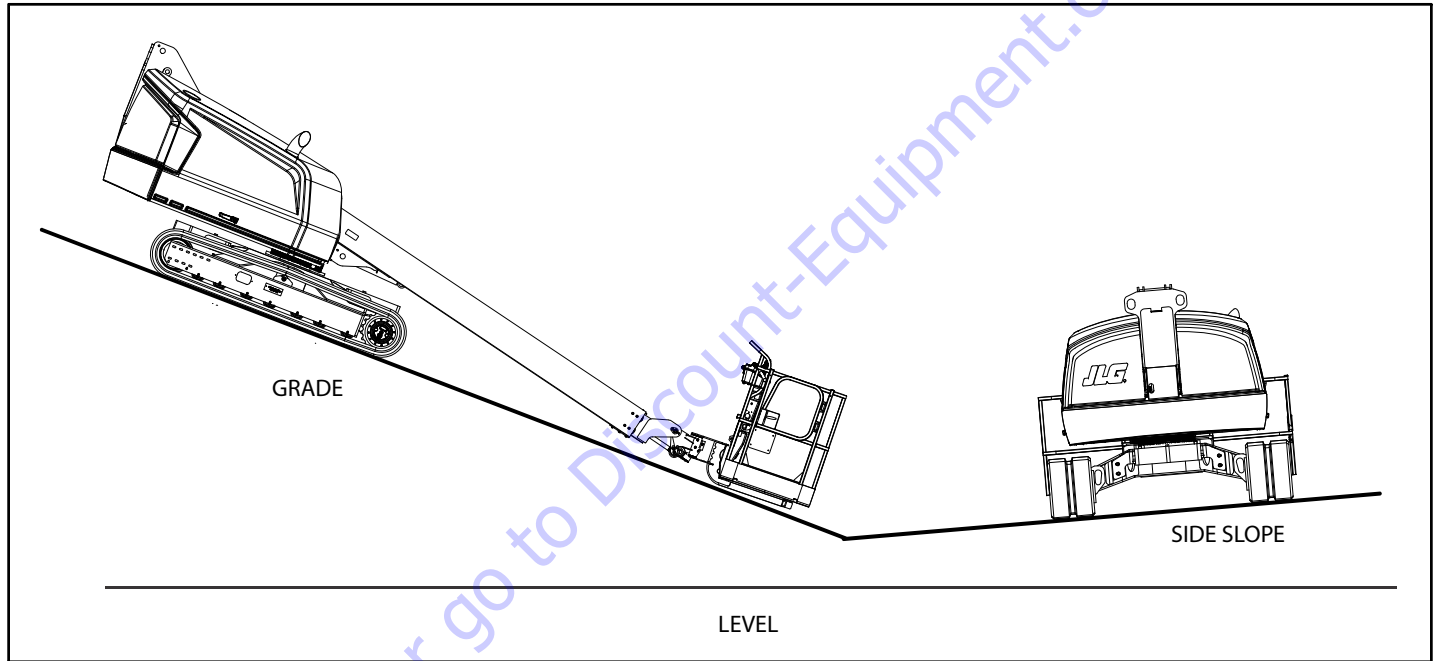


Figure 4-3. Grade and Side Slopes



### Machine Motion Hazard

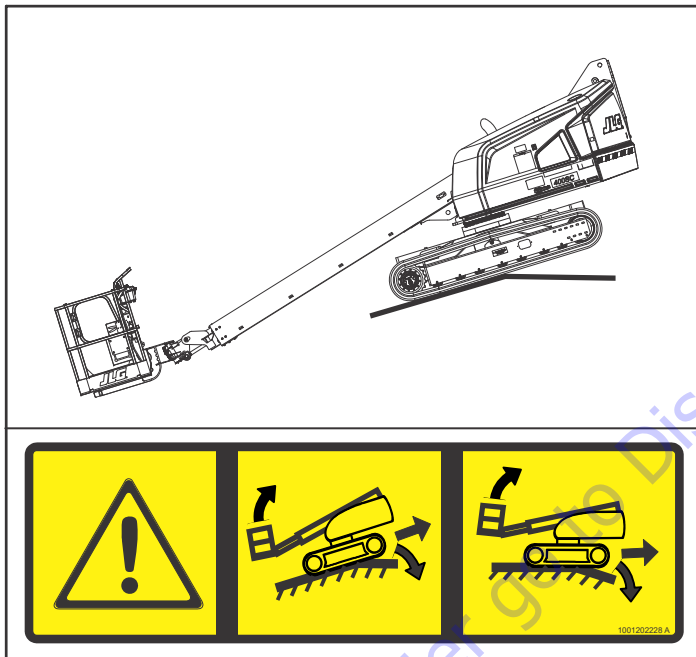


Figure 4-4. Machine Motion Hazard

### **⚠ WARNING**

USE EXTREME CAUTION WHEN APPROACHING THE EDGE OF ANY TERRAIN OBSTACLE. CHECK FOR CURBS, LARGE STONES, OR OTHER TERRAIN OBSTACLES INCLUDING OVERHEAD OBSTACLES AS MACHINE MAY MAKE ABRUPT PIVOTING MOTION WHEN CENTER OF GRAVITY (CENTER OF TRACK FRAME) SHIFTS OVER AN EDGE. TRAVEL SLOWLY OVER OBSTACLES TO MINIMIZE PIVOTING MOTION.

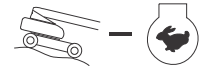
FAILURE TO FOLLOW THESE INSTRUCTIONS COULD RESULT IN DEATH OR SERIOUS INJURY.

## Traveling Forward and Reverse

1. At Platform Controls, with the engine running, pull out Emergency Stop switch and activate footswitch.
2. Position Drive control to Forward or Reverse as desired.
3. Depress footswitch, move joystick (Drive/Steer Control) to select desired direction of travel (forward or reverse), move Drive/Steer control to Right for smooth turn to right and Left for smooth turn to left.



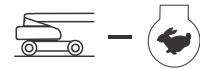
4. To obtain sharp turns, move Drive Speed/Torque Select switch to the back position, slow down the travel speed and move the Drive control lever to Right for a turn to the right and to Left for a turn to the left. The sharpest possible turn is achieved when the joystick is in the position to command one track to stop and the other to move slowly.



### **CAUTION**

**TURN IN PLACE ONLY IN AN AREA FREE OF OBSTACLES AND ONLY WITH THE BOOM FULLY RETRACTED. USE SLOW, GENTLE CONTROL MOVEMENTS AND DO NOT OPERATE ANY OTHER FUNCTIONS DURING COUNTER-ROTATION.**

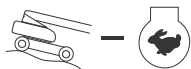
5. To obtain counter-rotation (turn in place), stop the machine, move the Drive/Steer control lever directly to Right to get clockwise rotation and to Left to get counterclockwise rotation.
6. To obtain maximum travel speed, position the Drive controller to Fast and activate the following switches:
  - a. Position Drive Speed/Torque Select switch to Fast. (Forward Position)



## SECTION 4 - MACHINE OPERATION

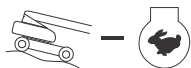
7. Prior to stopping the machine, position switches as follows:

- a. Position Drive Speed/Torque Select switch to Low. (Backward Position)



8. For traveling up grades, position switches as follows:

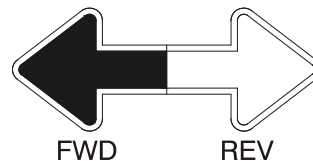
- a. Position Drive Speed/Torque Select switch to High. (Backward position)



**NOTE:** For smoother operation when driving with fully extended boom, place Drive control to Slow before stopping.

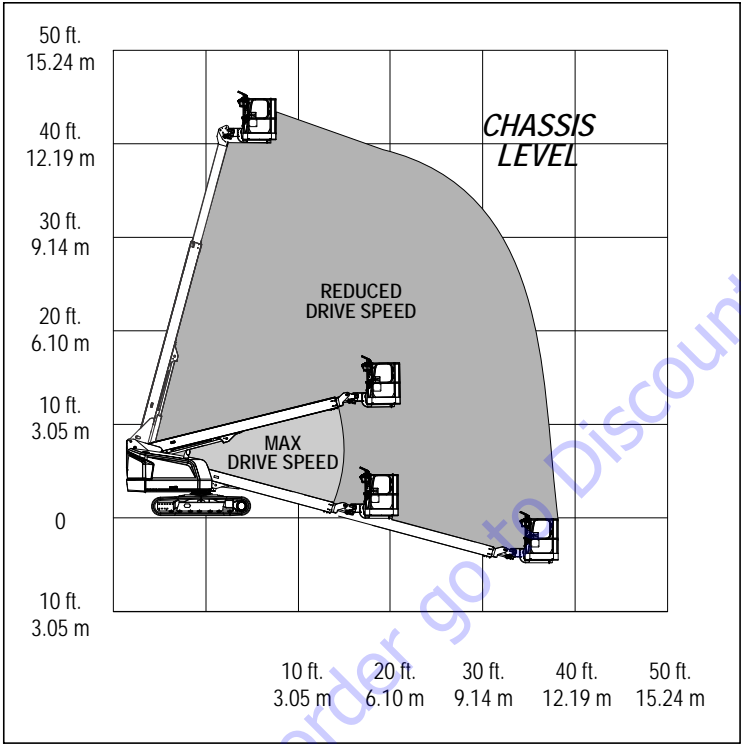
This machine is equipped with a Drive Orientation Indicator. The yellow light on the platform control console indicates the boom is swung beyond the rear and machine may Drive/Steer in the opposite direction from control movement. If the indicator is illuminated, operate the Drive function in the following manner:

1. Match black and white direction arrows on both platform control panel and the chassis to determine the direction machine will travel.



Push and release the Drive Orientation Override switch. Within 3 seconds, slowly move the Drive control toward arrow matching intended direction of machine travel. The indicator light will flash during the 3 second interval until the drive function is selected.

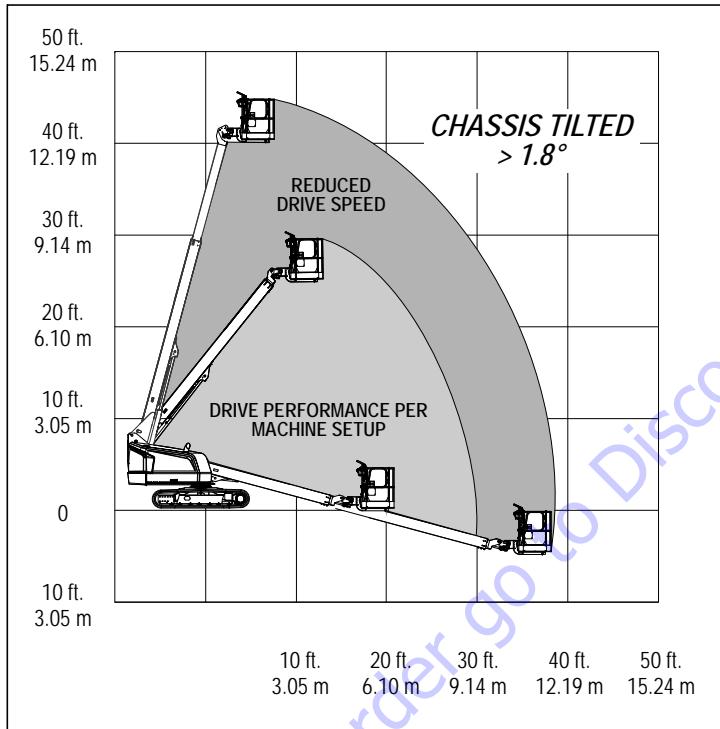




**NOTE:** In Transport Mode, High Drive will be disabled above 5° elevation or past 0.5 m (1.6 ft) of boom extension.

Figure 4-5. Drive Function Operating Range Diagrams - Sheet 1 of 2

## SECTION 4 - MACHINE OPERATION



**NOTE:** In Transport Mode, High Drive will be disabled above 5° elevation or past 0.5 m (1.6 ft) of boom extension.

Figure 4-6. Drive Function Operating Range Diagrams - Sheet 2 of 2

## Traveling on a Grade

When traveling on a grade, maximum braking and traction are obtained with the boom stowed, in position over the rear (drive) axle, and in line with the direction of travel. Drive the machine forward when climbing a grade, and in reverse when descending a grade. Do not exceed the machine's maximum rated gradeability.

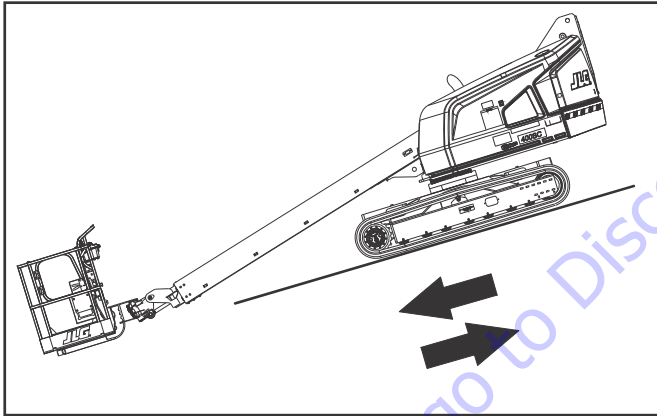


Figure 4-7. Traveling on a Grade

### NOTICE

IF THE BOOM IS OVER THE FRONT AXLE, DIRECTION OF STEER AND DRIVE MOVEMENT WILL BE OPPOSITE FROM THE MOVEMENT OF THE CONTROLS.

## 4.5 PLATFORM

### Platform Level Adjustment

#### ⚠ WARNING

ONLY USE THE PLATFORM LEVELING OVERRIDE FUNCTION FOR SLIGHT LEVELING OF THE PLATFORM. INCORRECT USE COULD CAUSE THE LOAD/OCCUPANTS TO SHIFT OR FALL. FAILURE TO DO SO COULD RESULT IN DEATH OR SERIOUS INJURY.

To Level Up or Down - Position Platform/Level control switch Up or Down and hold until platform is level.



### Platform Rotation

To rotate platform left or right, use the Platform Rotate control switch to select direction and hold until desired position is reached.



### 4.6 BOOM

#### **⚠ WARNING**

A RED TILT WARNING LIGHT IS LOCATED ON THE CONTROL CONSOLE WHICH LIGHTS WHEN THE CHASSIS IS ON AN EXCESSIVE SLOPE. DO NOT SWING OR RAISE BOOM ABOVE HORIZONTAL WHEN LIGHT IS LIT.

DO NOT DEPEND ON TILT ALARM AS A LEVEL INDICATOR FOR THE CHASSIS. TILT ALARM INDICATES CHASSIS IS ON AN EXCESSIVE SLOPE (3 DEGREE OR GREATER ON CE & AUSTRALIA SPEC MACHINES, 5 DEGREE OR GREATER ON ANSI, CSA, & JAPAN SPEC MACHINES). CHASSIS MUST BE LEVEL BEFORE SWINGING, OR RAISING BOOM ABOVE HORIZONTAL OR DRIVING WITH THE BOOM ELEVATED.

TO AVOID TIP OVER IF RED TILT WARNING LIGHT LIGHTS WHEN BOOM IS RAISED ABOVE HORIZONTAL, LOWER PLATFORM TO GROUND LEVEL. THEN REPOSITION MACHINE SO THAT CHASSIS IS LEVEL BEFORE RAISING BOOM.

TRAVELING WITH BOOM BELOW HORIZONTAL IS PERMITTED ON GRADES AND SIDE SLOPES SPECIFIED IN THE OPERATING SPECIFICATIONS SECTION OF THIS MANUAL.

#### **⚠ WARNING**

TO AVOID SERIOUS INJURY, DO NOT OPERATE MACHINERY IF ANY CONTROL LEVER OR TOGGLE SWITCH CONTROLLING PLATFORM MOVEMENT DOES NOT RETURN TO THE 'OFF' OR NEUTRAL POSITION WHEN RELEASED.

#### **⚠ CAUTION**

TO AVOID A COLLISION AND INJURY IF PLATFORM DOES NOT STOP WHEN A CONTROL SWITCH OR LEVER IS RELEASED, REMOVE FOOT FROM FOOTSWITCH OR USE EMERGENCY STOP SWITCH TO STOP THE MACHINE.

#### **Swinging the Boom**

To swing boom, use Swing control switch to select Right or Left direction.



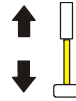
#### **Raising and Lowering the Main Boom**

To raise or lower the Main Boom, use Main Boom Lift controller to select UP or DOWN movement.



## Telescoping the Main Boom

To extend or retract the main boom, use the Main Telescope Control Switch to select IN or OUT movement.



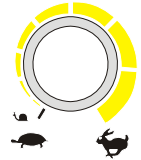
## Raising and Lowering the Jib

To raise or lower the Jib, use Jib Lift control to select Up or Down movement.



## 4.7 FUNCTION SPEED CONTROL

This control affects the speed of telescope, tower boom lift and jib lift. Turning the knob all the way counterclockwise until it clicks puts drive, main lift, platform rotate, and swing into creep mode.



## 4.8 MACHINE SAFETY SYSTEM OVERRIDE (MSSO) (CE ONLY)

The Machine Safety System Override (MSSO) is used to override function controls for Emergency Platform Retrieval only. Refer to Section 5.7, Machine Safety System Override (MSSO)(CE Only)for operating procedures.





### 4.9 SKYGUARD OPERATION

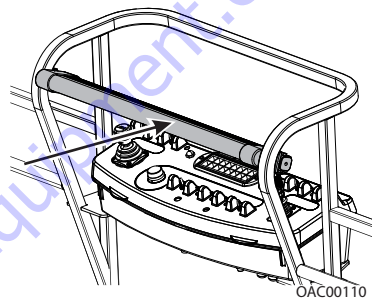
SkyGuard provides enhanced control panel protection. When the SkyGuard sensor is activated, functions in use at the time of activation will reverse or cutout. The SkyGuard Function Table provides more details on these functions.

During activation, the horn will sound and, if equipped with a SkyGuard beacon, the beacon will illuminate until sensor and footswitch are disengaged.

If the SkyGuard sensor remains activated after function reversal or cutout, depress and hold the SkyGuard Override Switch to allow normal functions until the sensor is disengaged.

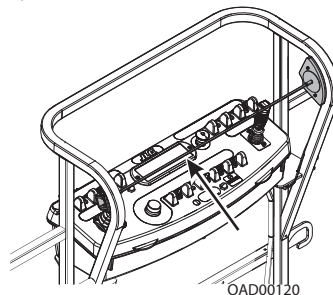
Consult the following illustrations to determine which type of SkyGuard the machine has. Regardless of type, SkyGuard function according to the SkyGuard Function Table does not change.

#### SkyGuard



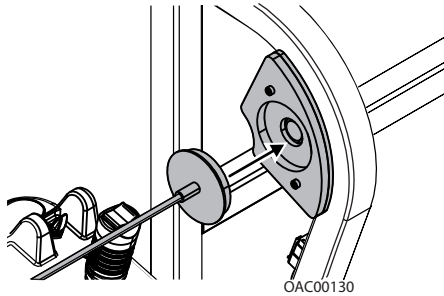
Approximately 50 lb (222 Nm) of force is applied to yellow bar.

#### SkyGuard - SkyLine

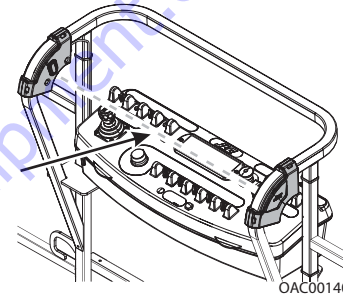


Cable is pressed, breaking the magnetic connection between the cable and right bracket.

SkyGuard - SkyEye



Reattach magnetic end of cable to bracket if it becomes disconnected.



Operator passes through path of sensor beam.

SkyGuard Function Table

Drive Forward	Drive Reverse	Steer	Swing	Boom Lift Up	Boom Lift Down	Boom Tele Out	Boom Tele In	Jib Lift	Basket Level	Basket Rotate
C	C	C	R	R	R	R	C	C	C	C
R = Indicates Reversal is Activated										
C = Indicates Cutout is Activated										

### 4.10 SHUT DOWN AND PARK

#### Shut Down and Park

The procedures to shut down and park the machine are as follows:

1. Drive machine to a reasonably well protected area.

**NOTE:** *When parking on frozen ground overnight, drive machine up on boards to prevent freezing to ground.*

2. Park machine in travel position with boom lowered over rear, all access panels and doors closed and secure, and turntable locked.
3. Shut down Emergency Stop at Platform Controls.
4. Shut down Emergency Stop at Ground Controls. Position Platform/Ground Select switch to center OFF and remove key.
5. Chock tracks front and rear.
6. If necessary, cover Platform Controls to protect instruction placards, warning decals, and operating controls from hostile environment.

### 4.11 LIFTING AND TIE DOWN

(See Figure 4-8.)

#### Lifting

1. Refer to Serial Number Plate, Specifications section of this manual, or weigh the individual unit to determine Gross Vehicle Weight.
2. Place boom in stowed position.
3. Remove all loose items from machine.
4. Properly adjust rigging to prevent damage to machine and keep machine level.

## Tie Down

### **NOTICE**

**WHEN TRANSPORTING THE MACHINE IN THE STOWED POSITION, THE BOOM MUST BE FULLY LOWERED INTO THE BOOM REST.**

**NOTE:** *Putting the platform in certain positions for transporting may cause an LSS activation that restricts normal boom functions. To resolve this LSS activation, use the auxiliary power from the ground control console to place the platform in the desired position. Use of the MSSO will result in a MSSO fault.*

1. Place boom in stowed or storage position.
2. Remove all loose items from machine.
3. Secure chassis and platform using straps or chains of adequate strength.

## SECTION 4 - MACHINE OPERATION

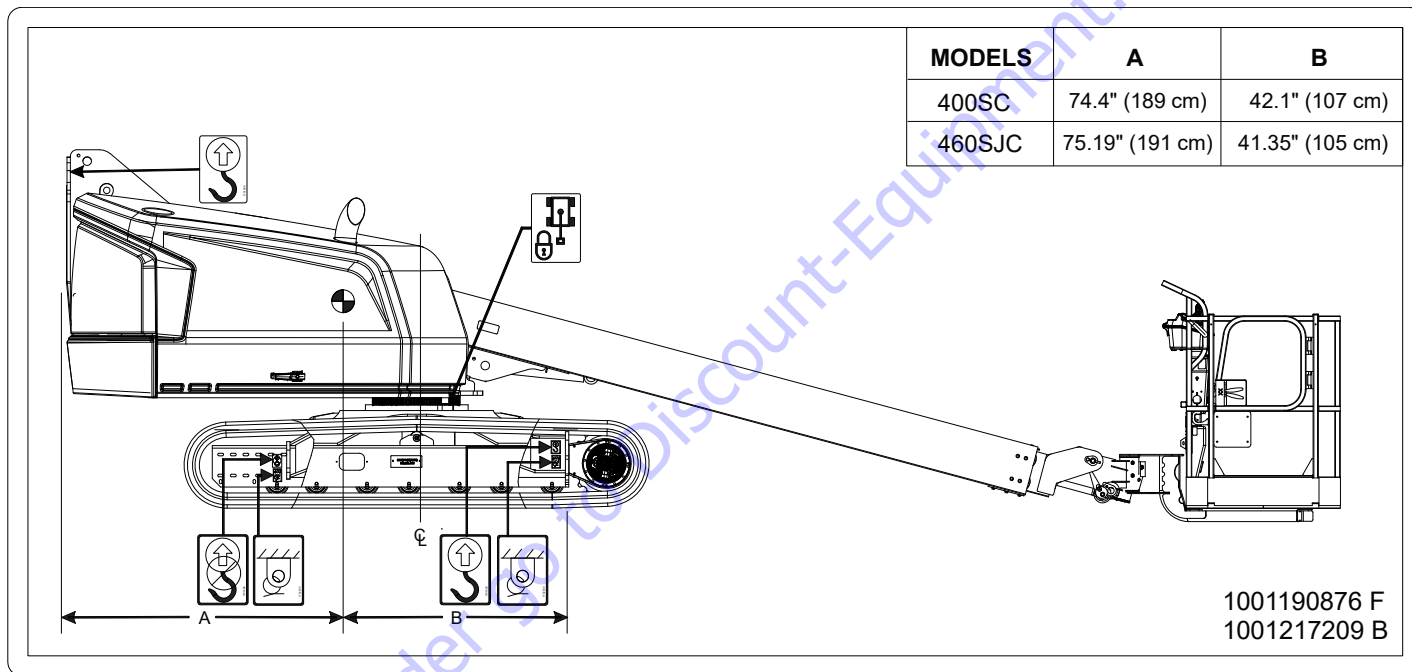


Figure 4-8. Lifting and Tie Down Chart

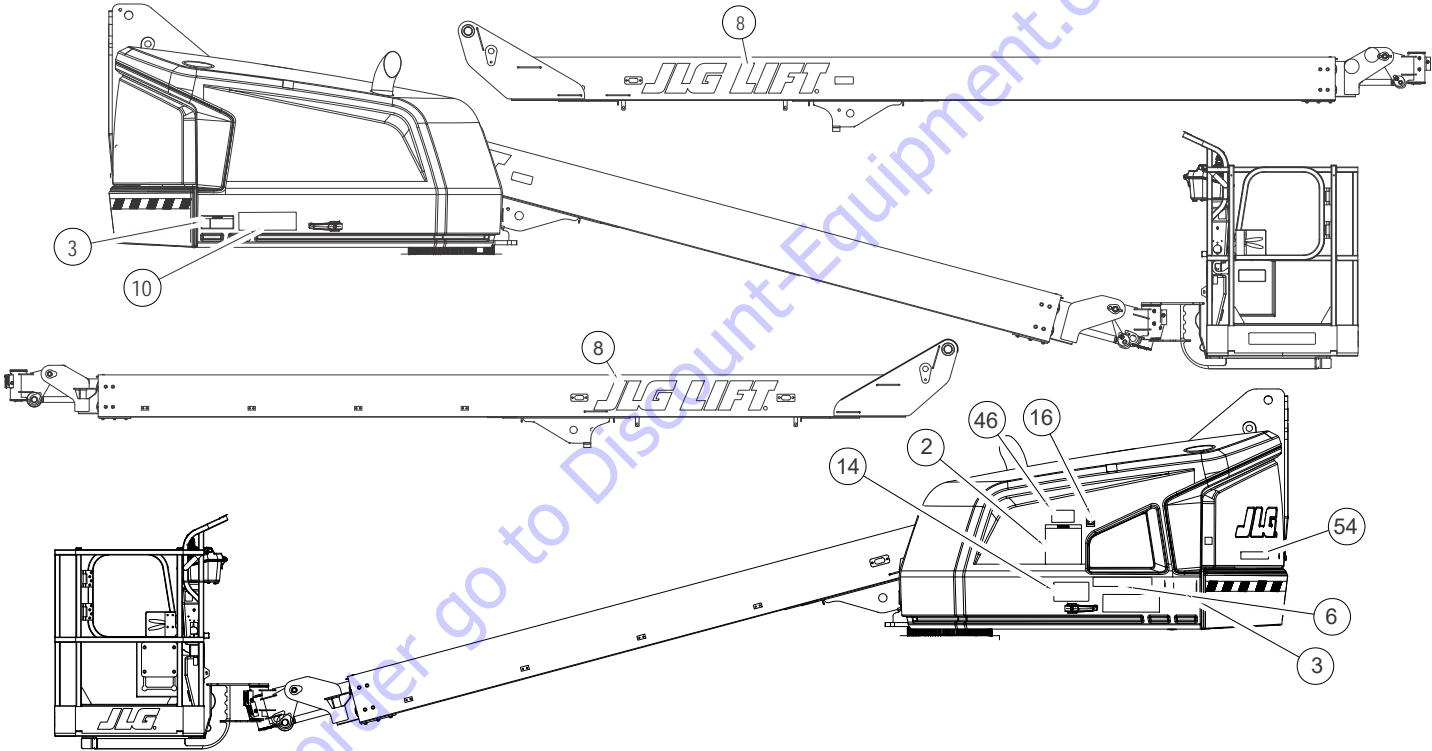
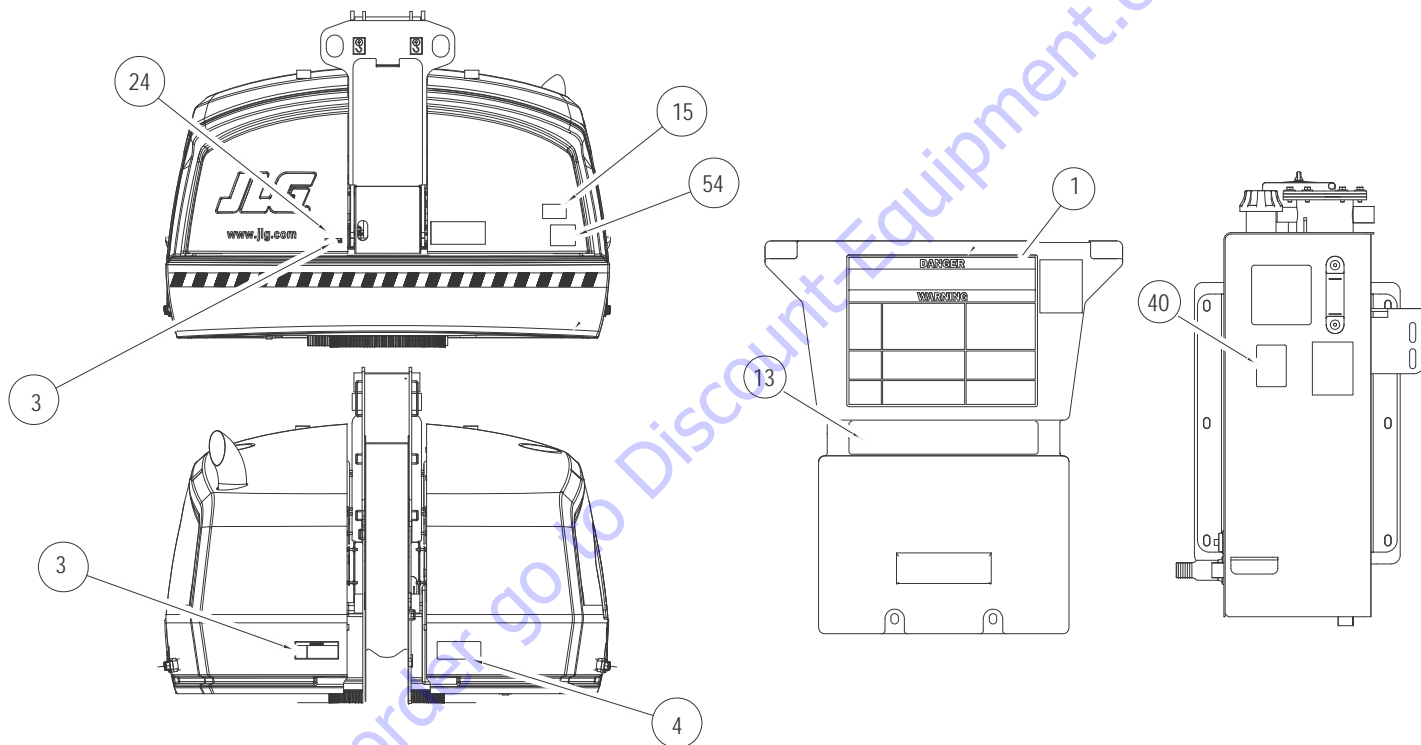


Figure 4-9. Decal Location -Turntable - Sheet 1 of 3

## SECTION 4 - MACHINE OPERATION



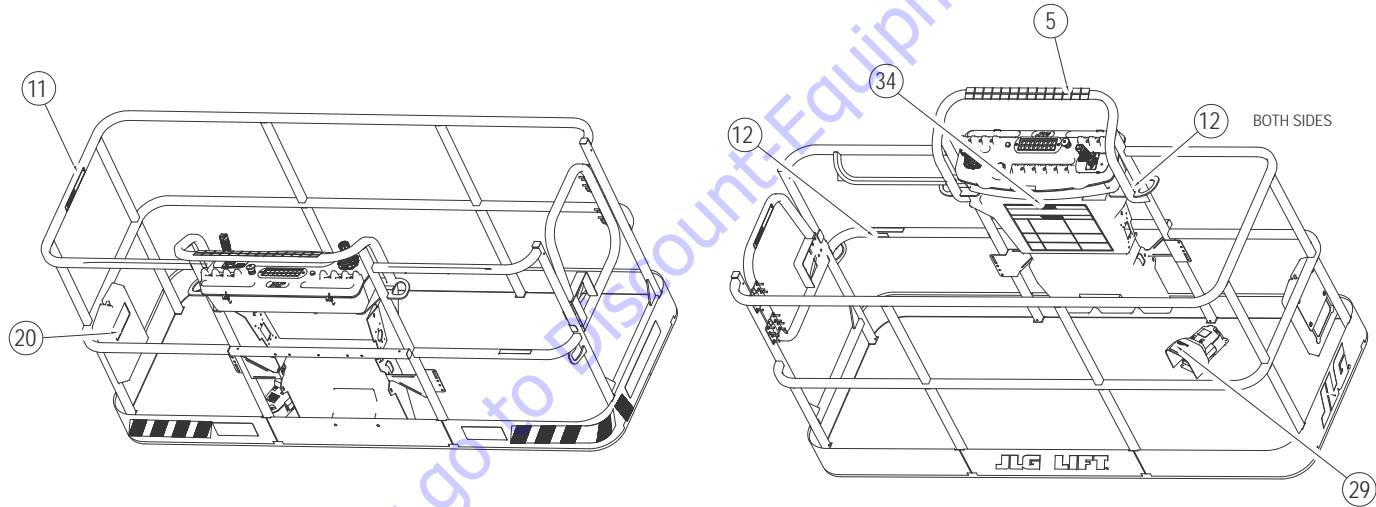


Figure 4-11. Decal Location -Turntable - Sheet 3 of 3



## SECTION 4 - MACHINE OPERATION

**Table 4-1. Decal Legend - 400SC Turntable**

Item	ANSI 1001227663-A	CSA 1001227696-A	Korean 1001227699-A	CE 1001190877-H	Eng/Japan 1001215292-C
1	1703797	1703924	1703927	1705921	1703926
2	1703798	1703930	1703933	1705822	1703932
3	1703805	1703936	1703939	1705961	1703938
4	1703804	1703948	1703951	1701518	1703950
5	1001225647	1001225647	1001225647	--	1001225647
6	1001174313	1001174313	1001174313	--	1001174313
8	--	--	--	1001159323	--
10	--	--	--	1702773	--
11	1702868	1704000	--	--	--
12	1704277	1704277	1704277	1704277	1704277
13	1001171335	1001171351	1001171345	1001185237	1001171341
14	1001171336	1001171352	1001171346	1001185237	1001171342
15	--	--	--	1001204510	--
16	1701504	1701504	1701504	1701504	1701504
19	1706948	1706948	1706948	--	--
20	1701509	1701509	1701509	1701509	1701509
22	1701500	1701500	1701500	1701500	1701500
24	3251243	3251243	--	--	--

Table 4-1. Decal Legend - 400SC Turntable

Item	ANSI 1001227663-A	CSA 1001227696-A	Korean 1001227699-A	CE 1001190877-H	Eng/Japan 1001215292-C
29	3252347	1703984	1703981	1705828	1703980
30	--	--	--	1001201127	--
34	1705514	1705514	1705514	--	--
40	1704412	1704412	1704412	1704412	1704412
46	--	--	--	1001197408	--
54	1703944	1703942	1703945	1701518	1703944

## SECTION 4 - MACHINE OPERATION

Table 4-2. Decal Legend - 460SJC Turntable

Item	ANSI 1001227664-A	CSA 1001227697-A	Korean 1001227700-A	CE 1001217214-B	Eng/Japan 1001217202-A
1	1703797	1703924	1703927	1705921	1703926
2	1703798	1703930	1703933	1705822	1703932
3	1703805	1703936	1703939	1705961	1703938
4	1703804	1703948	1703951	1701518	1703950
5	1001225647	1001225647	1001225647	--	1001173262
6	1001174313	1001174313	1001174313	--	1001174313
8	--	--	--	1001159323	--
10	--	--	--	1702773	--
11	1702868	1704000	--	--	--
12	1704277	1704277	1704277	1704277	1704277
13	1001171337	1001171353	1001171347	1001171339	1001171343
14	1001171337	1001171353	1001171347	1001171339	1001171343
15	--	--	--	1001204510	--
16	1701504	1701504	1701504	1701504	1701504
19	1706948	1706948	1706948	--	--
20	1701509	1701509	1701509	1701509	1701509
22	1701500	1701500	1701500	1701500	--
24	3251243	3251243	--	--	--

Table 4-2. Decal Legend - 460SJC Turntable

Item	ANSI 1001227664-A	CSA 1001227697-A	Korean 1001227700-A	CE 1001217214-B	Eng/Japan 1001217202-A
29	3252347	1703984	1703981	1705828	1703980
30	--	--	--	1001201127	--
34	1705514	1705514	1705514	--	--
40	1704412	1704412	1704412	1704412	1704412
46	--	--	--	1001197408	--
54	1703953	1703942	1703945	1701518	1703944

## SECTION 4 - MACHINE OPERATION

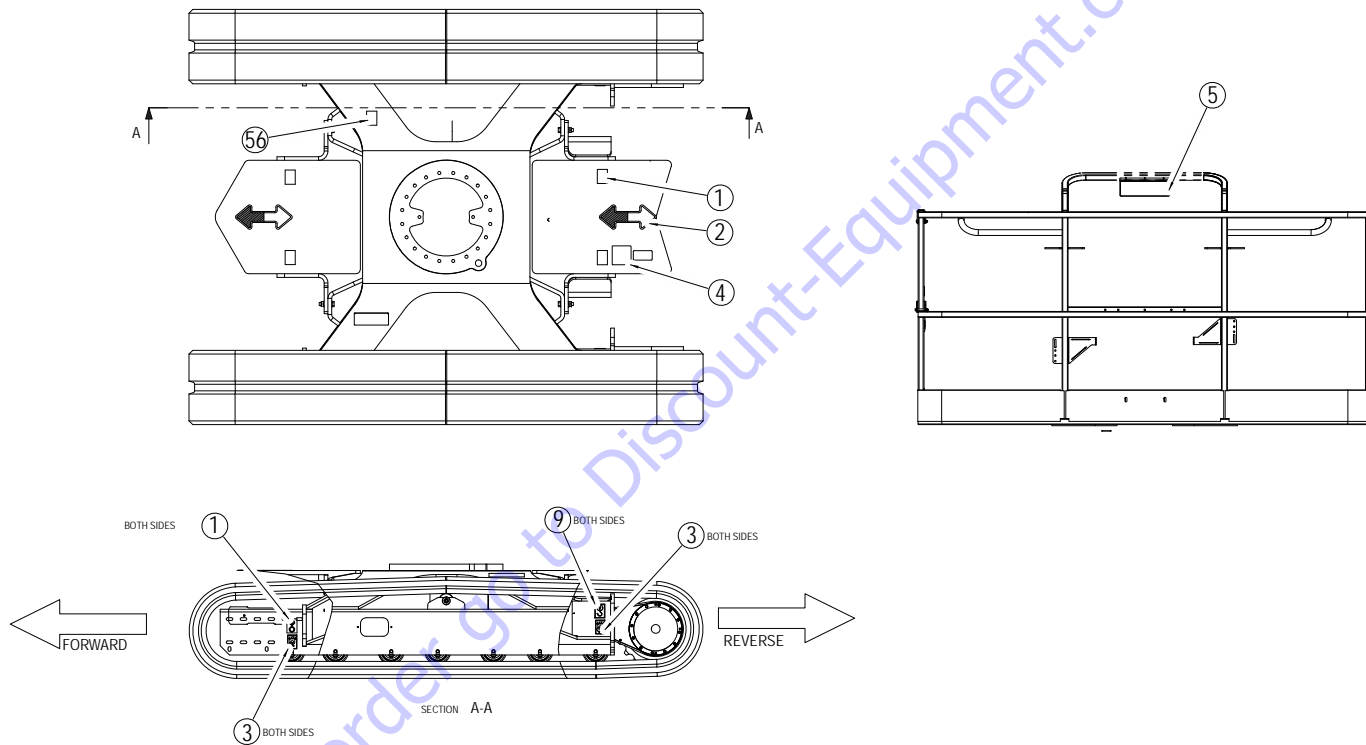


Figure 4-12. Decal Location - Chassis

Table 4-3. Decal Legend - 400SC &amp; 460SCJ Chassis

Item	ANSI 1001227662-A	CSA 1001227695-A	Korean 1001227698-A	CE 1001191076-E	Eng/Japan 1001215290-C
1	1701499	1701499	1701499	1701499	1701499
2	1701529	1701529	1701529	1701529	1701529
3	1702300	1702300	1702300	1702300	1702300
4	1702631	1702631	1702631	1702631	1702631
5	1704468	1001093684	1001093686	1001202228	1001215285
9	1701500	1701500	1701500	1701500	1701500
18	1001131269	1001131269	1001131269	--	--
56	--	--		--	1001224053

**TO PURCHASE THIS PRODUCT PLEASE CONTACT US**



**Equipment Financing and  
Extended Warranties Available**



**Discount-Equipment.com is your online resource for  
commercial and industrial quality parts and equipment sales.**

**561-964-4949**

**visit us on line @ [www.discount-equipment.com](http://www.discount-equipment.com)**

Select an option below to find your Equipment

**Search by Manufacturer**

**Search by Product Type**

**Request a Quote**

We sell worldwide for the brands: Genie, Terex, JLG, MultiQuip, Mikasa, Essick, Whiteman, Mayco, Toro Stone, Diamond Products, Generac Magnum, Airman, Haulotte, Barreto, Power Blanket, Nifty Lift, Atlas Copco, Chicago Pneumatic, Allmand, Miller Curber, Skyjack, Lull, Skytrak, Tsurumi, Husquvarna Target, Stow, Wacker, Sakai, Mi-T-M, Sullair, Basic, Dynapac, MBW, Weber, Bartell, Bennar Newman, Haulotte, Ditch Runner, Menegotti, Morrison, Contec, Buddy, Crown, Edco, Wyco, Bomag, Laymor, EZ Trench, Bil-Jax, F.S. Curtis, Gehl Pavers, Heli, Honda, ICS/PowerGrit, IHI, Partner, Imer, Clipper, MMD, Koshin, Rice, CH&E, General Equipment, Amida, Coleman, NAC, Gradall, Square Shooter, Kent, Stanley, Tamco, Toku, Hatz, Kohler, Robin, Wisconsin, Northrock, Oztec, Toker TK, Rol-Air, APT, Wylie, Ingersoll Rand / Doosan, Innovatech, Con X, Ammann, Mecalac, Makinex, Smith Surface Prep, Small Line, Wanco, Yanmar

## SECTION 5. EMERGENCY PROCEDURES

### 5.1 GENERAL

This section explains steps to be taken in case of an emergency situation while operating.

### 5.2 INCIDENT NOTIFICATION

JLG Industries, Inc. must be notified immediately of any incident involving a JLG product. Even if no injury or property damage is evident, the factory should be contacted by telephone and provided with all necessary details.

- USA: 877-JLG-SAFE (554-7233)
- EUROPE: (32) 0 89 84 82 20
- AUSTRALIA: (61) 2 65 811111
- E-mail: ProductSafety@JLG.com

Failure to notify manufacturer of an incident involving a JLG Industries product within 48 hours of such an occurrence may void any warranty consideration on that particular machine.

#### **NOTICE**

**FOLLOWING ANY INCIDENT, THOROUGHLY INSPECT MACHINE AND TEST ALL FUNCTIONS FIRST FROM GROUND CONTROLS, THEN FROM PLATFORM CONTROLS. DO NOT LIFT ABOVE 3 M (10 FT) UNTIL YOU ARE SURE ALL DAMAGE HAS BEEN REPAIRED, IF REQUIRED, AND ALL CONTROLS ARE OPERATING CORRECTLY.**

### 5.3 EMERGENCY OPERATION

#### **Operator Unable to Control Machine**

IF THE PLATFORM OPERATOR IS PINNED, TRAPPED OR UNABLE TO OPERATE OR CONTROL MACHINE:

1. Other personnel should operate machine from ground controls only as required.
2. Other qualified personnel on platform may use platform controls. DO NOT CONTINUE OPERATION IF CONTROLS DO NOT FUNCTION PROPERLY.
3. Cranes, forklift trucks or other equipment can be used to stabilize motion of the machine.



### Platform or Boom Caught Overhead

If the platform or boom becomes jammed or snagged in overhead structures or equipment, do the following:

1. Shut off the machine.
2. Rescue all people in the platform before freeing the machine. Personnel must be out of the platform before operating any controls on the machine.
3. Use cranes, forklifts, or other equipment to stabilize motion of the machine to prevent a tip over as required.
4. From the ground controls, use the Auxiliary Power System (if equipped) to carefully free the platform or boom from the object.
5. Once clear, restart the machine and return the platform to a safe position.
6. Inspect the machine for damage. If the machine is damaged or does not operate properly, turn off the machine immediately. Report the problem to the proper maintenance personnel. Do not operate the machine until it is declared safe for operation.

### 5.4 MACHINE SAFETY SYSTEM OVERRIDE (MSSO) (CE ONLY)

The Machine Safety System Override (MSSO) is only to be used to retrieve an operator that is pinned, trapped, or unable to operate the machine. The MSSO will override function controls that are locked out from the platform and ground consoles. An example of this would be in the case of Load Sense System activation.



**NOTE:** *If the MSSO functionality is used, the fault indicator will flash and a fault code is set in the JLG Control System which must be reset by a qualified JLG Service Technician.*

**NOTE:** *No functional checks of the MSSO system are necessary. The JLG Control system will set a Diagnostic Trouble Code if the control switch is faulty.*

1. From ground control console, place Platform/Ground Select switch in Ground position.
2. Pull out Power/Emergency Stop control.
3. Start engine or MSSO will function through the Auxiliary Power system.
4. Press and hold MSSO switch and control switch for the desired function.

**TO PURCHASE THIS PRODUCT PLEASE CONTACT US**



**Equipment Financing and  
Extended Warranties Available**



**Discount-Equipment.com is your online resource for  
commercial and industrial quality parts and equipment sales.**

**561-964-4949**

**visit us on line @ [www.discount-equipment.com](http://www.discount-equipment.com)**

Select an option below to find your Equipment

**Search by Manufacturer**

**Search by Product Type**

**Request a Quote**

We sell worldwide for the brands: Genie, Terex, JLG, MultiQuip, Mikasa, Essick, Whiteman, Mayco, Toro Stone, Diamond Products, Generac Magnum, Airman, Haulotte, Barreto, Power Blanket, Nifty Lift, Atlas Copco, Chicago Pneumatic, Allmand, Miller Curber, Skyjack, Lull, Skytrak, Tsurumi, Husquvarna Target, Stow, Wacker, Sakai, Mi-T-M, Sullair, Basic, Dynapac, MBW, Weber, Bartell, Bennar Newman, Haulotte, Ditch Runner, Menegotti, Morrison, Contec, Buddy, Crown, Edco, Wyco, Bomag, Laymor, EZ Trench, Bil-Jax, F.S. Curtis, Gehl Pavers, Heli, Honda, ICS/PowerGrit, IHI, Partner, Imer, Clipper, MMD, Koshin, Rice, CH&E, General Equipment, Amida, Coleman, NAC, Gradall, Square Shooter, Kent, Stanley, Tamco, Toku, Hatz, Kohler, Robin, Wisconsin, Northrock, Oztec, Toker TK, Rol-Air, APT, Wylie, Ingersoll Rand / Doosan, Innovatech, Con X, Ammann, Mecalac, Makinex, Smith Surface Prep, Small Line, Wanco, Yanmar

## SECTION 6. ACCESSORIES

Table 6-1. Available Accessories

Accessory	Market			
	ANSI (USA Only)	ANSI	CSA	CE
Pipe Racks	√	√	√	√
SkyGlazier™	√	√	√	√
SkyPower™	√	√	√	√
SkyWelder™	√	√	√	√
Soft Touch	√	√	√	√

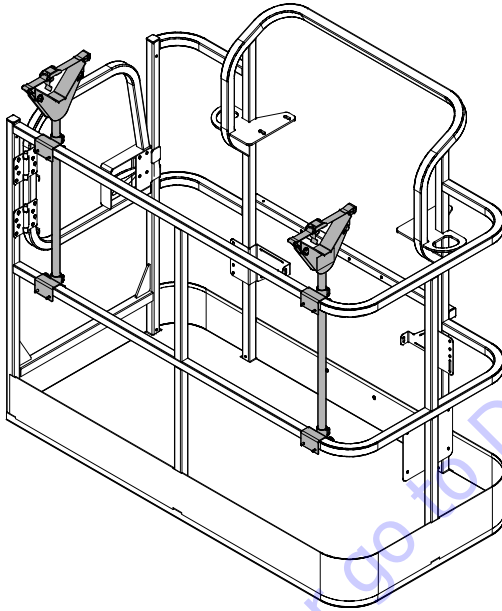
**SECTION 6 - ACCESSORIES**

**Table 6-2. Options/Accessories Relationship Table**

ACCESSORY	REQUIRED ITEM	COMPATIBLE WITH (Note 1)	INCOMPATIBLE WITH	INTERCHANGABLE WITH (Note 2)
Pipe Racks		SkyPower™	Soft Touch	SkyGlazier™, SkyWelder™
SkyGlazier™		SkyPower™	Pipe Racks, Soft Touch	SkyWelder™
SkyPower™		Pipe Racks, SkyGlazier™, SkyWelder™		
SkyWelder™	SkyPower™		Pipe Racks, Soft Touch	SkyGlazier™
Soft Touch		SkyPower™	Pipe Racks, SkyGlazier™, SkyWelder™	
<b>Note 1:</b> Any non-"Sky" accessory not listed under "INCOMPATIBLE WITH" is assumed to be compatible.				
<b>Note 2:</b> Can be used on same unit but not simultaneously.				

4150459 M

## 6.1 PIPE RACKS



Pipe Racks provide a way to store pipe or conduit inside the platform in order to prevent rail damage and optimize platform utility. This accessory consists of two racks with adjustable straps to secure the load in place.

### Safety Precautions

#### **⚠ WARNING**

REDUCE PLATFORM CAPACITY BY 100 LBS (45.5 KG) WHEN INSTALLED.

#### **⚠ WARNING**

WEIGHT IN RACKS PLUS WEIGHT IN PLATFORM MUST NOT EXCEED RATED CAPACITY.

#### **NOTICE**

THE MAXIMUM LOAD IN THE RACKS IS 180 LBS (80 KG) EVENLY DISTRIBUTED BETWEEN THE TWO RACKS.

#### **NOTICE**

THE MAXIMUM LENGTH OF MATERIAL IN RACKS IS 20 FT (6.1 M).

- Ensure no personnel are beneath the platform.
- Do not exit platform over rails or stand on rails.
- Do not drive machine without material secured
- Return racks to the stowed position when not in use.
- Use this option only on approved models.

### Preparation and Inspection

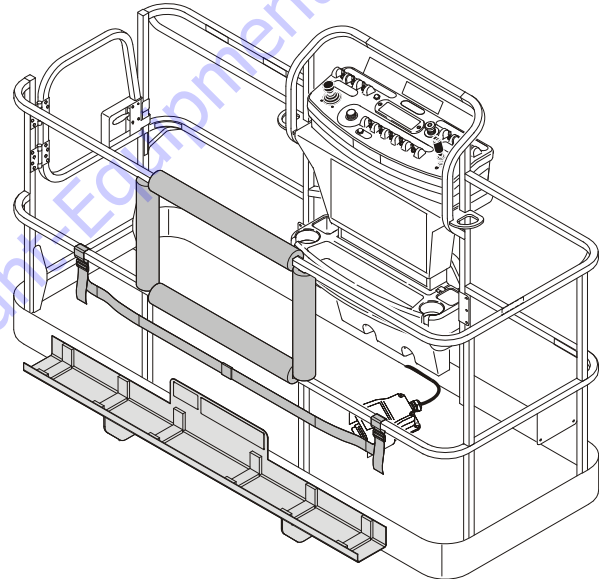
- Ensure racks are secured to the platform rails.
- Replace torn or frayed tie-down straps.

### Operation

1. To prepare racks for loading, remove locking pins, rotate each rack 90 degrees from stowed to working position, then secure with locking pins.
2. Loosen and remove tie-down straps. Place material on racks with weight evenly distributed between both racks.
3. Route the tie-down straps at each end across loaded material and tighten.
4. To remove material, loosen and remove tie-down straps, then carefully remove material from racks.

**NOTE:** Reinstall tie-down straps across any remaining material before continuing machine operations.

### 6.2 SKYGLAZIER™



SkyGlazier™ allows glaziers to position panels efficiently. The glazier package consists of a tray that attaches the bottom of the platform. The panel rests on the tray and against top-rail of the platform, which is padded to prevent damage. SkyGlazier™ includes a strap to secure the panel to the platform rail.

## Capacity Specifications

Capacity Zone *	Max. Tray Capacity	Max. Platform Capacity (With Max. Weight in Tray)
500 lbs (227 kg)	150 lbs (68 kg)	250 lbs (113 kg)
550 lbs (250 kg)	150 lbs (68 kg)	250 lbs (113 kg)
600 lbs (272 kg)	150 lbs (68 kg)	250 lbs (113 kg)
750 lbs (340 kg)	150 lbs (68 kg)	440 lbs (200 kg)
1000 lbs (454 kg)	250 lbs (113 kg)	500 lbs (227 kg)
* Refer to the capacity decals installed on the machine for capacity zone information.		
<b>Required Platform Type:</b> Side-Entry		
<b>Max. Dimensions of Panel:</b> 32 sq.ft. (3 sq.m.)		

## Safety Precautions

### WARNING

ENSURE PANEL IS SECURED WITH STRAP.

### WARNING

DO NOT OVERLOAD TRAY OR PLATFORM. TOTAL MACHINE CAPACITY IS REDUCED WHEN TRAY IS INSTALLED.

### WARNING

WITH SKYGLAZIER™ INSTALLED, THE ORIGINAL PLATFORM CAPACITY RATINGS ARE REDUCED AS SPECIFIED IN THE CAPACITY SPECIFICATIONS TABLE. DO NOT EXCEED NEW PLATFORM CAPACITY RATINGS. REFER TO CAPACITY DECAL LOCATED ON TRAY.

### WARNING

AN INCREASE OF THE AREA EXPOSED TO THE WIND WILL DECREASE STABILITY. LIMIT PANEL AREA TO 32 SQ FT (3 SQ M).

- Ensure no personnel are beneath platform.
- Do not exit platform over rails or stand on rails.
- Remove tray when not in use.
- Use this option only on approved models.

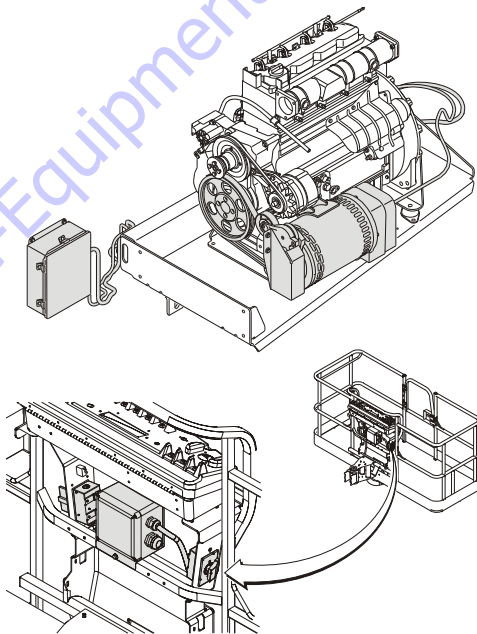
**Preparation and Inspection**

- Check for cracked welds and damage to tray.
- Ensure tray is properly secured to platform.
- Ensure strap is not torn or frayed.

**Operation**

1. Load SkyGlazier™ tray with panel.
2. Route the adjustable strap around the panel and tighten until secure.
3. Position panel to its desired location.

**6.3 SKYPOWER™**



The SkyPower™ system supplies AC power to the platform through an AC receptacle to run tools, lights, cutting, and welding equipment.



All power regulation components are located in a watertight box connected by cable to the generator. The generator supplies power when running at the specified speed with the power switch on (switch is located on platform). A three-pole, 30 Amp circuit breaker protects the generator from overload.

## Generator Output

### ANSI Specifications:

- 3-phase: 240 V, 60 Hz, 7.5 kW
- 1-phase: 240 V/120 V, 60 Hz, 6 kW

### CE Specifications:

- 3-phase: 240 V, 7.5 kW, 18.3 A, 1.0-pf
- 1-phase: 240 V, 6.0 kW, 26 A, 1.0-pf
- 1-phase: 120 V, 6.0 kW, 50 A, 1.0-pf

### Peak:

- 3-phase: 8.5 kW
- 1-phase: 6.0 kW

## Accessory Ratings

- 3000 rpm (50 Hz)
- 3600 rpm (60 Hz)

## Safety Precautions



**DO NOT OVERLOAD PLATFORM.**

- Ensure no personnel are beneath platform.
- This factory-installed option is available only on specified models.
- Keep lanyard attached at all times.
- Do not use electrical tools in water.
- Use correct voltage for tool being used.
- Do not overload circuit.

## Preparation and Inspection

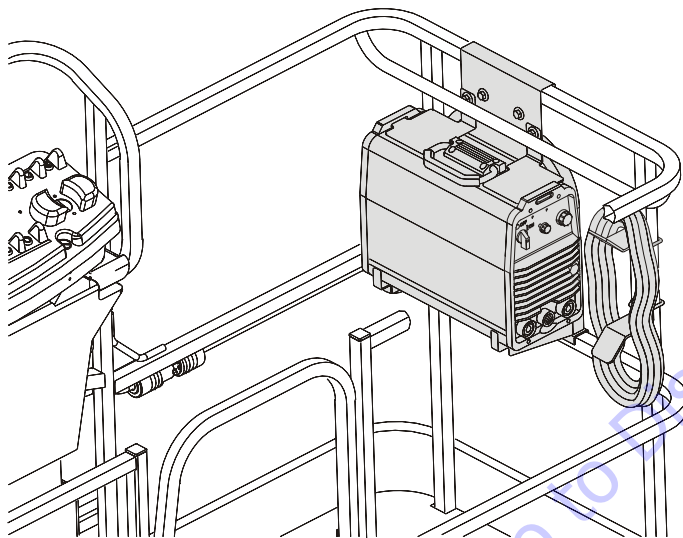
- Ensure generator is secure.
- Check condition of belt and wiring.

## Operation

Start the engine, then turn on the generator.

See the Miller Generator Technical Manual (PN 3121677) for more information.

### 6.4 SKYWELDER™



SkyWelder™ is capable of TIG and Stick welding, producing 200 Amps at 100% duty cycle or 250 Amps at 50% duty cycle. This accessory receives power from the SkyPower™ system.

#### Generator Output

Engine Speed of 1800 rpm +/- 10%.

#### ANSI Specifications:

- 3-phase: 240 V, 60 Hz, 7.5 kW
- 1-phase: 240 V/120 V, 60 Hz, 6 kW

#### CE Specifications:

- 3-phase: 400 V, 50 Hz, 7.5 kW
- 1-phase: 220 V, 50 Hz, 6 kW

#### Welding Accessories

- 12 ft welding leads with clamp and stinger (stored in the platform)
- Fire extinguisher

## Accessory Ratings

Welding Mode	Input Power	Rated Output	Welding Amperage Range	Maximum Open Circuit Voltage	Amps Input At Rated Load Output (50/60 Hz)				
					230 V	460 V	575 V	kVa	kW
Stick (SMAW) TIG (GTAW)	3-phase	280 Amp at 31.2 V, 35% Duty Cycle	5-250 A	79VDC	32	17	13	15.7	10
		200 Amp at 28 V, 100% Duty Cycle			20	11	8	10.3	6.4
	1-phase	200 Amp at 28 V, 50% Duty Cycle	5-200 A	79VDC	35	-----	-----	9.8	6.5
		150 Amp at 28 V, 100% Duty Cycle			34	-----	-----	6.9	4.4

## Safety Precautions

**⚠ WARNING**

**DO NOT OVERLOAD PLATFORM.**

**⚠ WARNING**

**DE-RATE THE PLATFORM BY 70 LBS (32 KG) WHEN WELDER IS IN THE PLATFORM.**

- Check for cracked welds and damage to welder supports.
- Check for proper and secure installation of welder and bracket.
- Ensure no personnel are beneath platform.
- Do not exit platform over rails or stand on rails.
- Use this option only on approved models.
- Keep lanyard attached at all times.
- Ensure correct polarity of leads.
- Wear proper welding apparel.

## SECTION 6 - ACCESSORIES

- Use correct rod size and current settings.
- Do not use electrical cords without ground.
- Do not use electrical tools in water.
- Do not weld to the platform.
- Do not ground through the platform.
- Do not use a high frequency arc starter with TIG welder.

### Preparation and Inspection

- Connect ground clamp to metal being welded.
- Ensure there is a good ground connection and observe proper polarity.

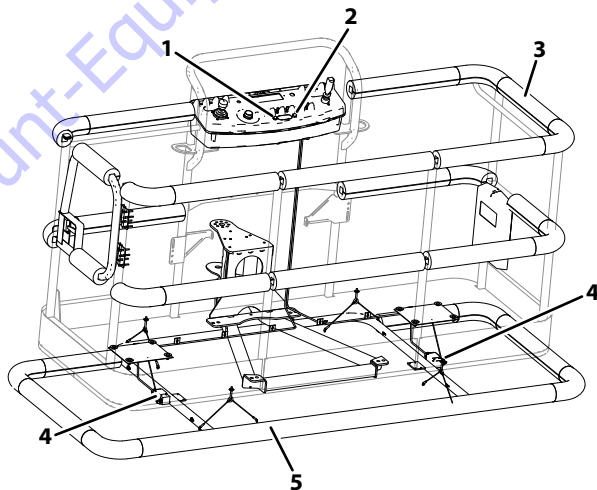
### Operation

Start the engine, turn on the generator, then turn on the welder.

See the Miller Welder Owner's Manual (PN 3128957) for more information.

## 6.5 SOFT TOUCH

A padding kit is mounted to the platform rails and to a frame suspended below the platform. Limit switches deactivate platform functions when padded framework contacts an adjacent structure. A button on the platform console allows system override.



1. Override Indicator Light
2. Override Button
3. Rail Bumper

4. Limit Switches (2)
5. Suspended Frame and Rail Bumper

**TO PURCHASE THIS PRODUCT PLEASE CONTACT US**



**Equipment Financing and  
Extended Warranties Available**



**Discount-Equipment.com is your online resource for  
commercial and industrial quality parts and equipment sales.**

**561-964-4949**

**visit us on line @ [www.discount-equipment.com](http://www.discount-equipment.com)**

Select an option below to find your Equipment

**Search by Manufacturer**

**Search by Product Type**

**Request a Quote**

We sell worldwide for the brands: Genie, Terex, JLG, MultiQuip, Mikasa, Essick, Whiteman, Mayco, Toro Stone, Diamond Products, Generac Magnum, Airman, Haulotte, Barreto, Power Blanket, Nifty Lift, Atlas Copco, Chicago Pneumatic, Allmand, Miller Curber, Skyjack, Lull, Skytrak, Tsurumi, Husquvarna Target, Stow, Wacker, Sakai, Mi-T-M, Sullair, Basic, Dynapac, MBW, Weber, Bartell, Bennar Newman, Haulotte, Ditch Runner, Menegotti, Morrison, Contec, Buddy, Crown, Edco, Wyco, Bomag, Laymor, EZ Trench, Bil-Jax, F.S. Curtis, Gehl Pavers, Heli, Honda, ICS/PowerGrit, IHI, Partner, Imer, Clipper, MMD, Koshin, Rice, CH&E, General Equipment, Amida, Coleman, NAC, Gradall, Square Shooter, Kent, Stanley, Tamco, Toku, Hatz, Kohler, Robin, Wisconsin, Northrock, Oztec, Toker TK, Rol-Air, APT, Wylie, Ingersoll Rand / Doosan, Innovatech, Con X, Ammann, Mecalac, Makinex, Smith Surface Prep, Small Line, Wanco, Yanmar

## SECTION 7. GENERAL SPECIFICATIONS & OPERATOR MAINTENANCE

### 7.1 INTRODUCTION

This section of the manual provides additional necessary information to the operator for proper operation and maintenance of this machine.

The maintenance portion of this section is intended as information to assist the machine operator to perform daily maintenance tasks only, and does not replace the more thorough Preventive Maintenance and Inspection Schedule included in the Service and Maintenance Manual.

#### Other Publications Available:

Service and Maintenance Manual ..... 3121705  
 Illustrated Parts Manual ..... 3121706

### 7.2 OPERATING SPECIFICATIONS

**Table 7-1. Operating Specifications - 400SC**

Maximum Work Load (Capacity): Unrestricted (CE) Restricted (CE)	272 kg (600 lb) 454 kg (1000 lb)
Maximum Travel Grade, Stowed Position (Gradeability)	51%
Maximum Travel Grade, Stowed Position (Side Slope)	5°
Platform Height: With out Turntable Spacer With Turntable Spacer	11.89 m (39 ft) 12.05 m (39 ft-6.5 in)
Horizontal Platform Reach:	10 m (33 ft)
Turning Radius (Outside)	Nil (0)
Turning Radius (Inside)	Nil (0)
Overall Width	2.23 m (7 ft-4 in)
Stowed Height: With out Turntable Spacer With Turntable Spacer	2.16 m (7 ft-1 in) 2.32 m (7 ft-7.5 in ft)
Stowed Length	7.57 m (24ft-10 in)

## SECTION 7 - GENERAL SPECIFICATIONS & OPERATOR MAINTENANCE

**Table 7-1. Operating Specifications - 400SC**

Wheelbase	2.25 m (7ft-4.8 in)
Ground Clearance	0.32 m (12.5 in)
Ground Bearing Pressure: With out Turntable Spacer With Turntable Spacer	3626 kg/m <sup>2</sup> (5.16 psi) 3661 kg/m <sup>2</sup> (5.21 psi)
Travel Speed	2.57 km/h (1.6 mph)
Rubber Track GVW: Without Turntable Spacer With Turntable Spacer	6,542 kg (14,422) 6,604 kg (14,559)
Maximum Rubber Track Load	5769 kg (12,718 lb)
Maximum System Voltage	12V
Max. Hydraulic System Operating Pressure	207 bar (3000 psi)
Manual Force (CE)	400 N (90 lb)
Maximum Wind Speed	12.5 m/s (28 mph)

**Table 7-2. Operating Specifications - 460SJC**

Maximum Work Load (Capacity):	272 kg (600 lb)
Maximum Travel Grade, Stowed Position (Gradeability)	51%
Maximum Travel Grade, Stowed Position (Side Slope)	5°
Platform Height: With out Turntable Spacer With Turntable Spacer	13.72 m (45ft) 13.88 m (45ft-6.5 in)
Horizontal Platform Reach:	12m (39ft)
Turning Radius (Outside)	0 m (0ft.)
Turning Radius (Inside)	0 m (0ft.)
Track Width	0.4 m (1.31 ft.)
Overall Width	2.23 m (7ft-4 in)
Stowed Height: With out Turntable Spacer With Turntable Spacer	2.16 m (7ft-1 in) 2.33 m (7ft-7.2 in ft)
Stowed Length	8.9 m (29ft-3 in)
Wheelbase	2.25 m (7ft-4.8 in)
Ground Clearance	0.32 m (12.5 in)
Tailswing	0.3 m (0.97 ft.)

## SECTION 7 - GENERAL SPECIFICATIONS & OPERATOR MAINTENANCE

**Table 7-2. Operating Specifications - 460SJC**

Ground Bearing Pressure: With out Turntable Spacer	5702 kg/m <sup>2</sup> (8.11 psi)
With Turntable Spacer	5870 kg/m <sup>2</sup> (8.35 psi)
Maximum Travel Speed	2.9 km/h (1.8 mph)
Rubber Track GVW: Without Turntable Spacer	8,102 kg (17,862)
With Turntable Spacer	8,184 kg (17,998)
Maximum Rubber Track Load	5769 kg (12,718 lb)
Maximum System Voltage	12V
Max. Hydraulic System Operating Pressure	207 bar (3000 psi)
Manual Force (CE)	400 N (90 lb)
Maximum Wind Speed	12.5 m/s (28 mph)

### Capacities

**Table 7-3. Capacities**

Fuel Tank (Usable)	83.3 L (22 gal)
Hydraulic Tank (Usable)	136.28 L (36 gal)
Final Drive Hub	1 L (33.8 oz)

### Engine Data

**NOTE:** RPM Tolerances are  $\pm 100$ .

**Table 7-4. Deutz D2011L03**

Engine Type	Four-stroke Diesel
Fuel	Diesel
No. of Cylinders	3
Bore	94 mm (3.7 in)
Stroke	112 mm (4.4 in)
Displacement	2331 cm <sup>3</sup> (142 cu. in)
Oil Capacity	
crankcase	6 L (6.3 qt)
cooler	3.5 L (3.7 qt)
total capacity	9.5 L (10 qt)
Low RPM	1200
Mid RPM	
Boom Lift, Telescope	1800
Swing, Basket Level, Basket Rotate	1500
High RPM	2800



## SECTION 7 - GENERAL SPECIFICATIONS & OPERATOR MAINTENANCE

---

**Table 7-5. Deutz 2.9L4**

Engine Type	Four-stroke Diesel
Fuel	Diesel
No. of Cylinders	3
Bore	92 mm
Stroke	110 mm
Displacement	2925 cm <sup>3</sup> (178 cu. in.)
Oil Capacity	8.9L (9.5 qt.)
Coolant Capacity	11.3L (12 qt.)
Low RPM	1200
High RPM	2600
Max Output Power	34.4 kW (48.8 hp)
Max Output Torque	147 Nm (108 ft. lbs.)
Acceptable Fuel Grades	Ultra Low Sulfur (15 ppm) Up to 5% Bio Diesel

## Hydraulic Oil

**Table 7-6. Hydraulic Oil**

Hydraulic System Operating Temperature Range	S.A.E. Viscosity Grade
-18° to +83° C (+0° to + 180° F)	10W
-18° to +99° C (+0° to + 210° F)	10W-20, 10W30
+10° to +99° C (+50° to + 210° F)	20W-20

**NOTE:** Hydraulic oils must have anti-wear qualities at least to API Service Classification GL-3, and sufficient chemical stability for mobile hydraulic system service. JLG Ind. recommends Mobilfluid 424 hydraulic oil, which has an SAE viscosity index of 152.

**NOTE:** When temperatures remain consistently below 20° F (-7° C), JLG Industries recommends the use of Mobil DTE-13.

**NOTE:** Machines may be equipped with Mobil EAL224H biodegradable and non-toxic hydraulic oil. This is Vegetable oil based and possesses the same antiwear and rust protection characteristics as mineral oils, but will not adversely affect the ground water or the environment when spilled or leaked in small amounts. Mobil EAL224H has a viscosity of 34 cSt at 40° C. and viscosity index of 213. The operating temperature range of this oil is -18° C to +83° C.

Aside from JLG recommendations, it is not advisable to mix oils of different brands or types, as they may not contain the same required additives or be of comparable viscosities. If use of hydraulic oil other than Mobilfluid 424 is desired, contact JLG Industries for proper recommendations.

**Table 7-7. Mobilfluid 424 Specs**

SAE Grade	10W30
Gravity, API	29.0
Density, Lb/Gal. 60°F	7.35
Pour Point, Max	-43°C (-46°F)
Flash Point, Min.	228°C (442°F)
Viscosity	
Brookfield, cP at -18°C	2700
at 40° C	55 cSt
at 100° C	9.3 cSt
Viscosity Index	152

## SECTION 7 - GENERAL SPECIFICATIONS & OPERATOR MAINTENANCE

**Table 7-8. Mobil DTE 13M Specs**

ISO Viscosity Grade	#32
Specific Gravity	0.877
Pour Point, Max	-40°C (-40°F)
Flash Point, Min.	166°C (330°F)
<b>Viscosity</b>	
at 40°C	33cSt
at 100°C	6.6cSt
at 100°F	169SUS
at 210°F	48SUS
cp at -20°F	6,200
Viscosity Index	140

**Table 7-9. UCon Hydrolube HP-50/46**

Type	Synthetic Biodegradable
Specific Gravity	1.082
Pour Point, Max	-50°C (-58°F)
pH	9.1
<b>Viscosity</b>	
at 0°C (32°F)	340 cSt (1600SUS)
at 40°C (104°F)	46 cSt (215SUS)
at 65°C (150°F)	22 cSt (106SUS)
Viscosity Index	170

## SECTION 7 - GENERAL SPECIFICATIONS & OPERATOR MAINTENANCE

**Table 7-10. Mobil EAL 224H Specs**

Type	Synthetic Biodegradable
ISO Viscosity Grade	32/46
Specific Gravity	.922
Pour Point, Max	-32°C (-25°F)
Flash Point, Min.	220°C (428°F)
Operating Temp.	-17 to 162°C (0 to 180°F)
Weight	0.9 kg/L (7.64 lb/gal)
<b>Viscosity</b>	
at 40°C	37 cSt
at 100°C	8.4 cSt
Viscosity Index	213
<b>NOTE:</b> Must be stored above 14°C (32°F)	

**Table 7-11. Mobil EAL H 46 Specs**

Type	Synthetic Biodegradable
ISO Viscosity Grade	46
Specific Gravity	.910
Pour Point	-42°C (-44°F)
Flash Point	260°C (500°F)
Operating Temp.	-17 to 162°C (0 to 180°F)
Weight	0.9 kg/L (7.64 lb/gal)
<b>Viscosity</b>	
at 40°C	45 cSt
at 100°C	8.0 cSt
Viscosity Index	153

## SECTION 7 - GENERAL SPECIFICATIONS & OPERATOR MAINTENANCE

**Table 7-12. Exxon Univis HVI 26 Specs**

Specific Gravity	32.1
Pour Point	-60°C (-76°F)
Flash Point	103°C (217°F)
<b>Viscosity</b>	
at 40°C	25.8 cSt
at 100°C	9.3 cSt
Viscosity Index	376
<b>NOTE:</b> Mobil/Exxon recommends to check this oil on a yearly basis for viscosity.	

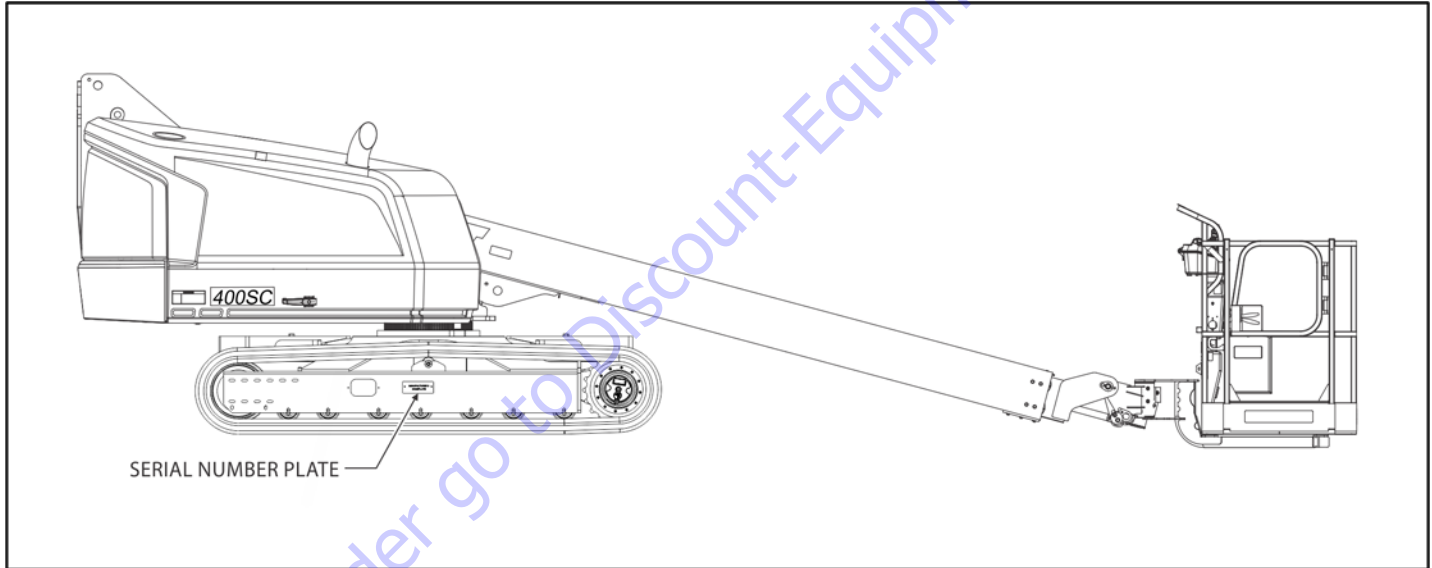
## Critical Stability Weights

**Table 7-13. Critical Stability Weights**

Component	kg	lb
Battery	30	66
Counterweight (400SC) - Turntable	4812	1060
Counterweight (460SJC) - Turntable	1225	2,700
Counterweight (400SC) - Chassis (Front)	544	1,200
Counterweight (400SC) - Chassis (Rear)	549	1,210
Counterweight (460SJC) - Chassis (Front)	804	1,773
Counterweight (460SJC) - Chassis (Rear)	810.5	1787
Rubber Track (Each) - Excavator Tracks	263	580
Rubber Track (Each) - Carrier Tracks	256	565
Rubber Track (Each) - Non-Marking	254	560
Steel Track - Each	339	747.5
Track Pad - Each	3.5	7.7
Platform and Console - 30 x 60	77	170
Platform and Console - 36 x 72	95	209
Platform and Console - 36 x 96	109	240

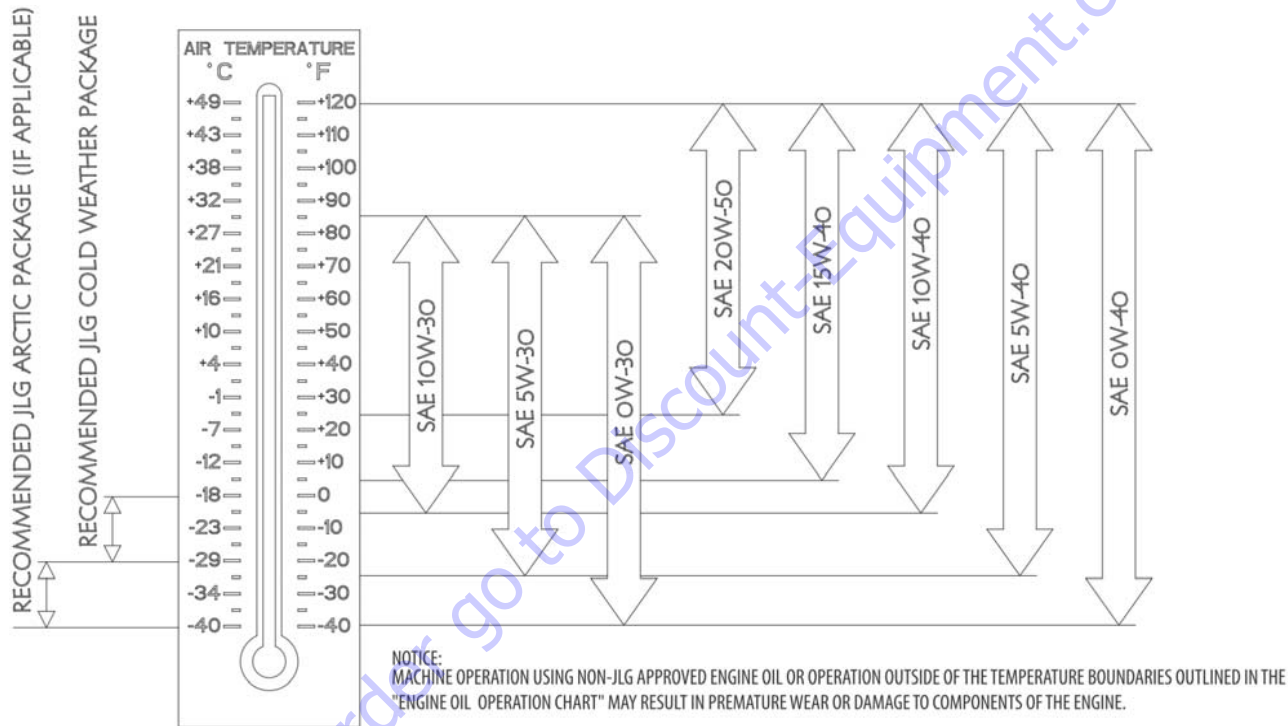
## **Serial Number Location**

A serial number plate is affixed to the left side of the frame. If the serial number plate is damaged or missing, the machine serial number is stamped on the left side of the frame.



**Figure 7-1. Serial Number Location**

## SECTION 7 - GENERAL SPECIFICATIONS & OPERATOR MAINTENANCE



100159163-A

**Figure 7-2. Engine Operating Temperature Specifications - Deutz**

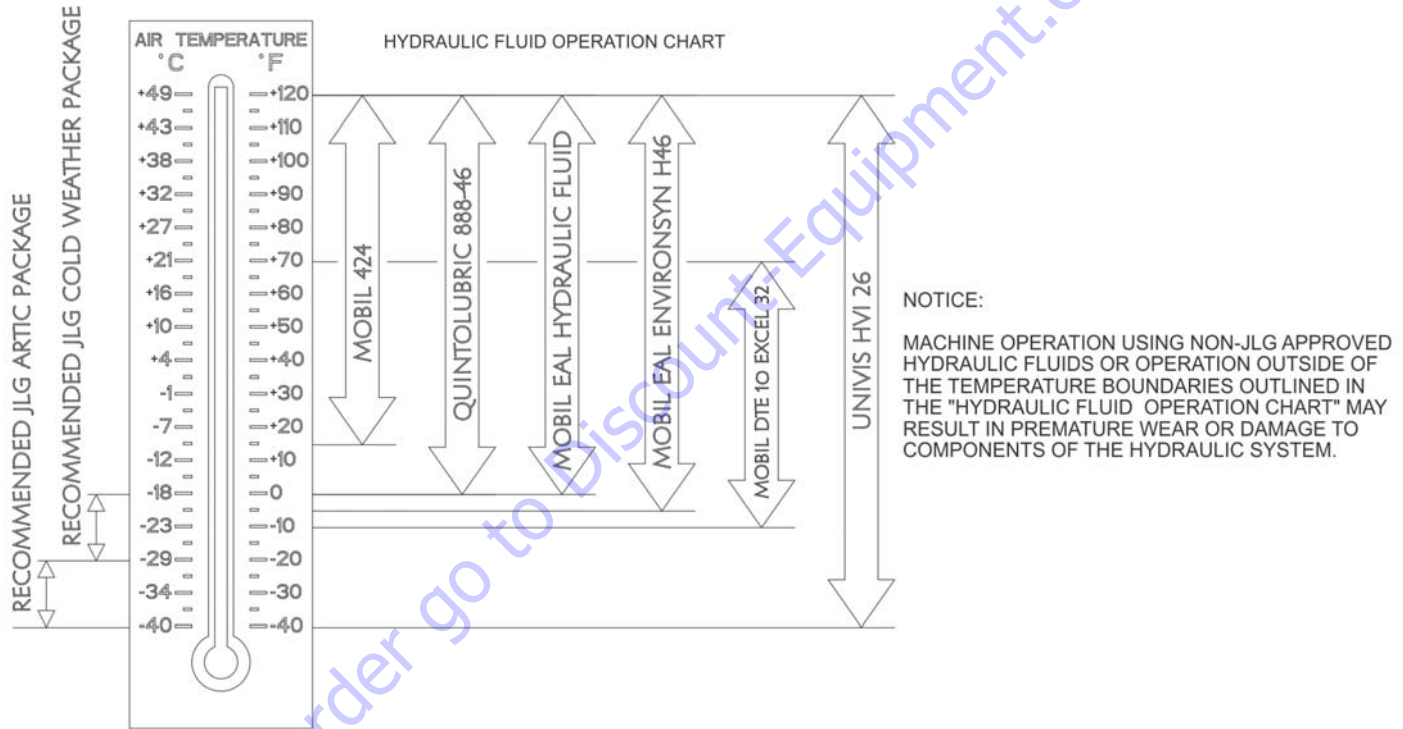


Figure 7-3. Hydraulic Oil Operation Chart - Sheet 1 of 2



## SECTION 7 - GENERAL SPECIFICATIONS & OPERATOR MAINTENANCE

Fluid	Properties		Base				Classifications		
	Viscosity at 40° C (cSt, Typical)	Viscosity Index	Mineral Oils	Vegetable Oils	Synthetic	Synthetic Polyol Esters	Readily Biodegradable*	Virtually Non-toxic**	Fire Resistant***
Mobilfluid 424	55	145	X						
Mobil DTE 10 Excel 32	32	164	X					X	
Univis HVI 26	26	376	X						
Mobil EAL Hydraulic Oil	47	176		X			X	X	
Mobil EAL Enviro-syn H46	49	145			X		X	X	
Quintolubric 888-46	50	185				X	X	X	X

\* Readily biodegradable classification indicates one of the following:

CO2 Conversion > 60% per EPA 560/6-82-003

CO2 Conversion > 80% per CEC-L-33-A-93

\*\* Virtually Non-toxic classification indicates an LC50 > 5000 ppm per OECD 203

\*\*\* Fire Resistant classification indicates Factory Mutual Research Corp. (FMRC) Approval

4150740B

**Figure 7-4. Hydraulic Oil Operation Chart - Sheet 2 of 2**

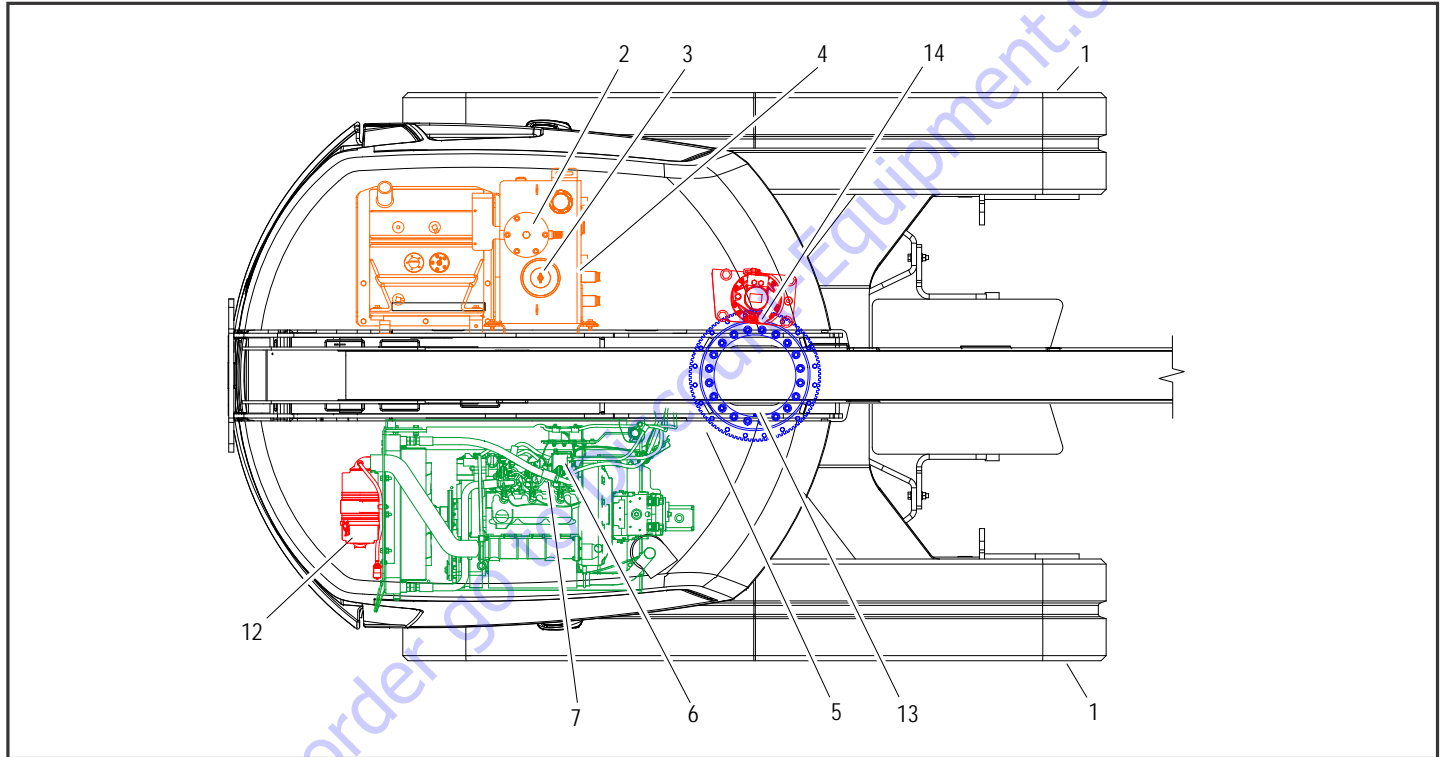


Figure 7-5. Operator Maintenance and Lubrication Diagram - Deutz D2011

## SECTION 7 - GENERAL SPECIFICATIONS & OPERATOR MAINTENANCE

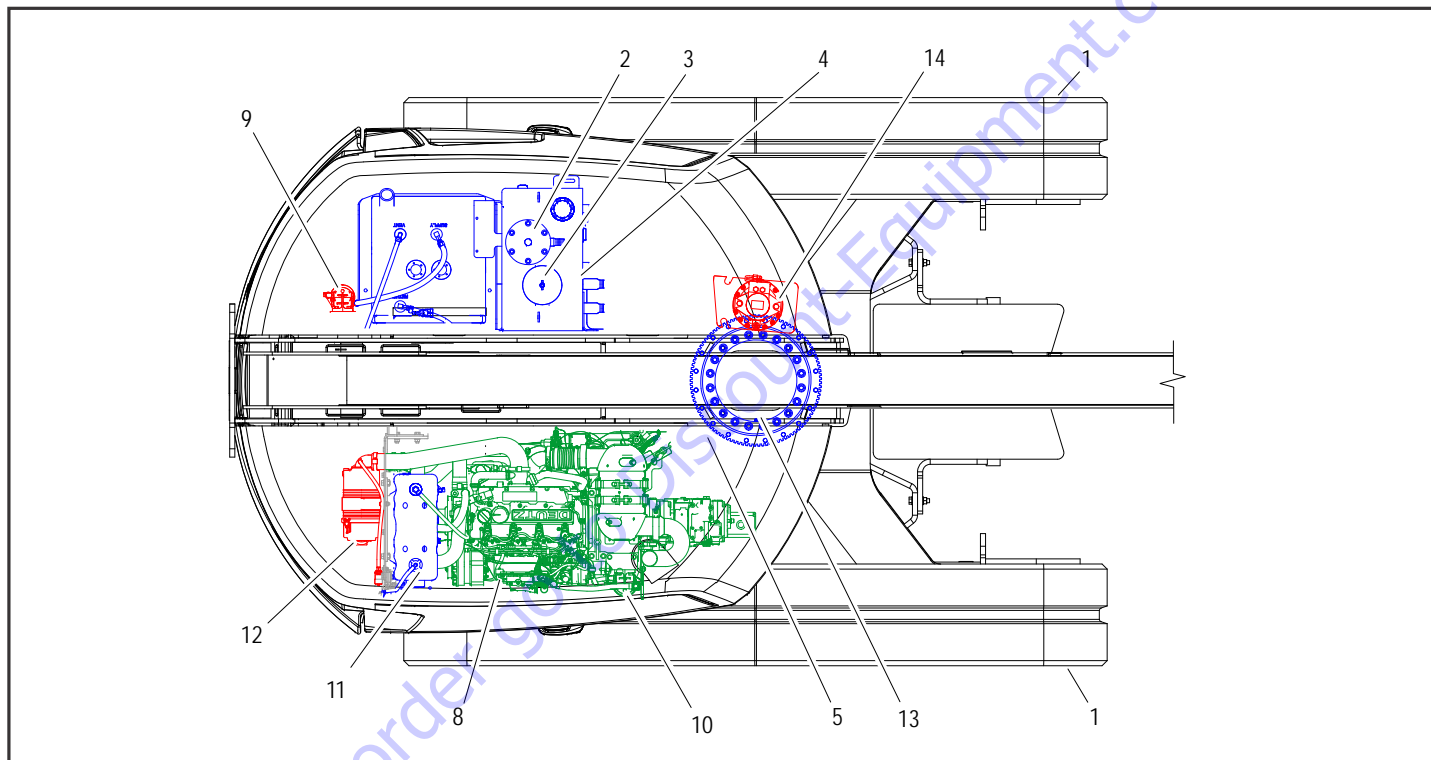


Figure 7-6. Operator Maintenance and Lubrication Diagram - Deutz 2.9L4

**7.3 OPERATOR MAINTENANCE**

**NOTE:** The following numbers correspond to those in Figure 7-5., Operator Maintenance and Lubrication Diagram - Deutz D2011.

**Table 7-14. Lubrication Specifications**

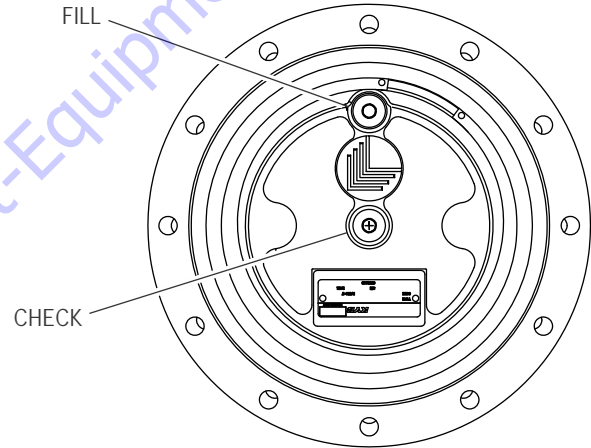
KEY	SPECIFICATIONS
MPG	Multipurpose Grease having a minimum dripping point of 350°F (177°C). Excellent water resistance and adhesive qualities, and being of extreme pressure type. (Timken OK 40 pounds minimum.)
EPGL	Extreme Pressure Gear Lube (oil) meeting API service classification GL-5 or MIL-Spec MIL-L-2105
HO	Hydraulic Oil. API service classification GL-3, e.g. Mobilfluid 424.
EO	Engine (crankcase). Gas (5W30)- API SN, -Arctic ACEA AI/BI, A5/B5 - API SM, SL, SJ, EC, CF, CD - ILSAC GF-4. Diesel (15W40, 5W30 Arctic) - API CJ-4.
OGL	Open Gear Lubricant - Mobilcalt 375 or equivalent.

**NOTICE**

**LUBRICATION INTERVALS ARE BASED ON MACHINE OPERATION UNDER NORMAL CONDITIONS. FOR MACHINES USED IN MULTI-SHIFT OPERATIONS AND/OR EXPOSED TO HOSTILE ENVIRONMENTS OR CONDITIONS, LUBRICATION FREQUENCIES MUST BE INCREASED ACCORDINGLY.**

**NOTE:** It is recommended as a good practice to replace all filters at the same time.

1. Final Drive Hub

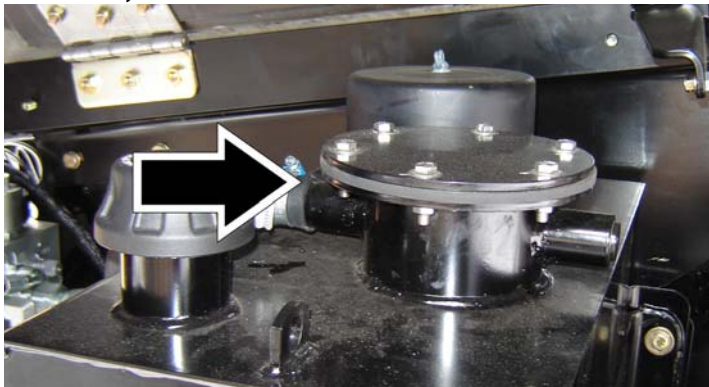


Lube Point(s) - Level/Fill Plug  
 Capacity - 33.8 oz (1 L)(1/2 Full)  
 Lube - EPGL

Interval - Check level every 3 months or 150 hours of operation; change every 2 years or 1200 hours of operation

## SECTION 7 - GENERAL SPECIFICATIONS & OPERATOR MAINTENANCE

### 2. Hydraulic Return Filter



Interval - Change after first 50 hours and every 6 months or 300 hours thereafter or whenever Charge Filter is replaced

### 3. Hydraulic Tank Breather



Interval - Change after first 50 hours and every 6 months or 300 hours thereafter.  
Comments - Remove wing nut and cover to replace. Under certain conditions, it may be necessary to replace on a more frequent basis.

## SECTION 7 - GENERAL SPECIFICATIONS & OPERATOR MAINTENANCE

### 4. Hydraulic Tank



Lube Point(s) - Fill Cap

Capacity - 32.5 gal tank (123 L) 40.0 gal system (151 L)

Lube - HO

Interval - Check Level daily; Change every 2 years or 1200 hours of operation

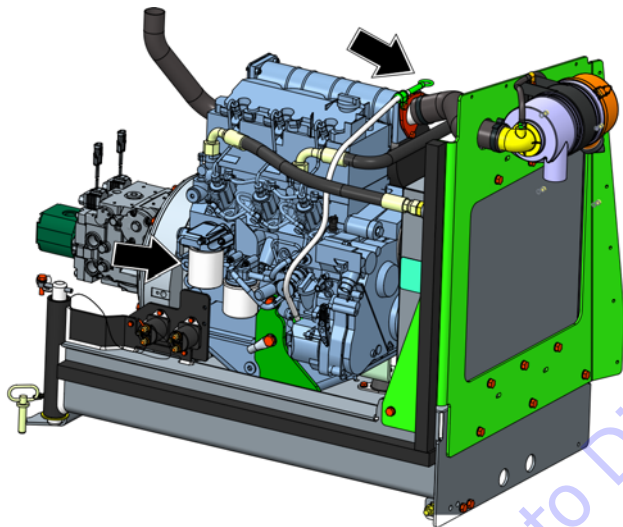
### 5. Hydraulic Charge Filter



Interval - Change after first 50 hours and every 6 months or 300 hours thereafter or as indicated by Condition Indicator

## SECTION 7 - GENERAL SPECIFICATIONS & OPERATOR MAINTENANCE

### 6. Oil Change w/Filter - Deutz D2011



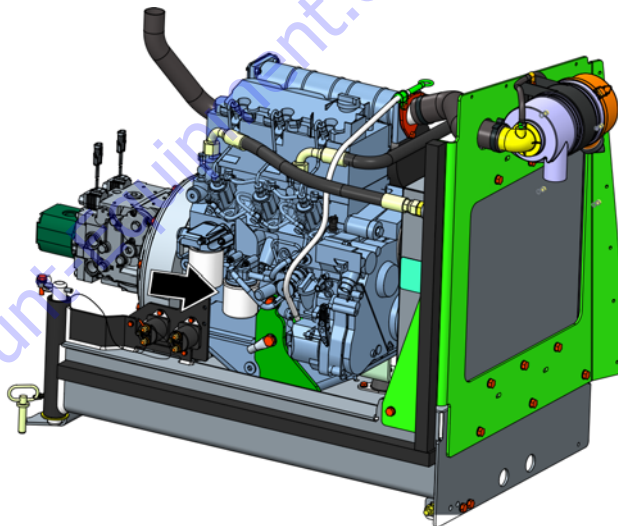
Lube Point(s) - Fill Cap/Spin-on Element

Capacity - 10 qt (9.5 L) w/Filter

Lube - EO

Interval - Check level daily; change every 500 hours or six months, whichever comes first. Adjust final oil level by mark on dipstick.

### 7. Fuel Filter - Deutz D2011

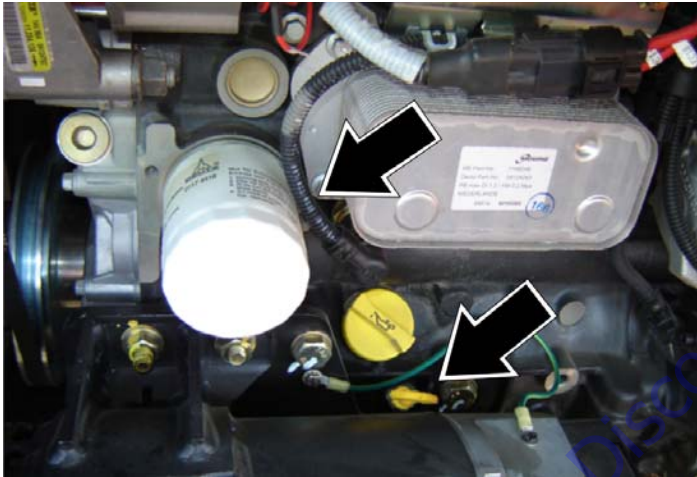


Lube Point(s) - Replaceable Element

Interval - Every year or 500 hours of operation

## SECTION 7 - GENERAL SPECIFICATIONS & OPERATOR MAINTENANCE

### 8. Oil Change w/Filter - Deutz 2.9L4



Lube Point(s) - Fill Cap/Spin-on Element

Capacity - 9.5 qt (8.9 L) w/Filter

Lube - EO

Interval - Check level daily; change every 500 hours or six months, whichever comes first. Adjust final oil level by mark on dipstick.

### 9. Fuel Pre-Filter - Deutz D2.9



Lube Point(s) - Replaceable Element

Interval - Drain water daily; Every year or 500 hours of operation



## SECTION 7 - GENERAL SPECIFICATIONS & OPERATOR MAINTENANCE

### 10. Fuel Filter - Deutz 2.9L4



Lube Point(s) - Replaceable Element

Interval - Every year or 500 hours of operation

### 11. Radiator Coolant Deutz 2.9



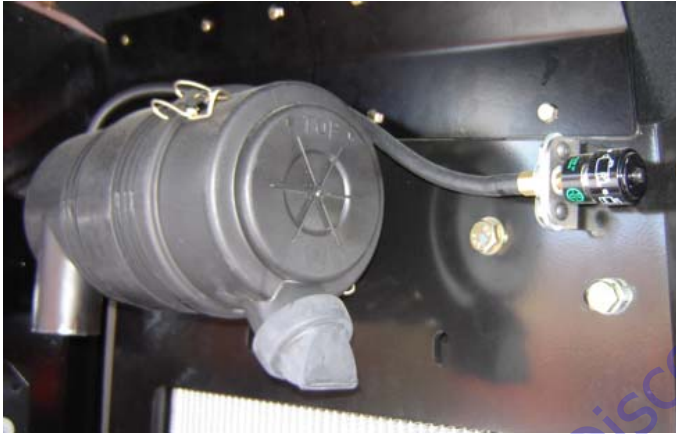
Lube Point(s) - Fill Cap

Capacity - 2.9 Gallon (11.3 L)

Lube - Anti-Freeze

Interval - Check level daily; change every 1000 hours or 2 years, whichever comes first

**12. Air Filter**

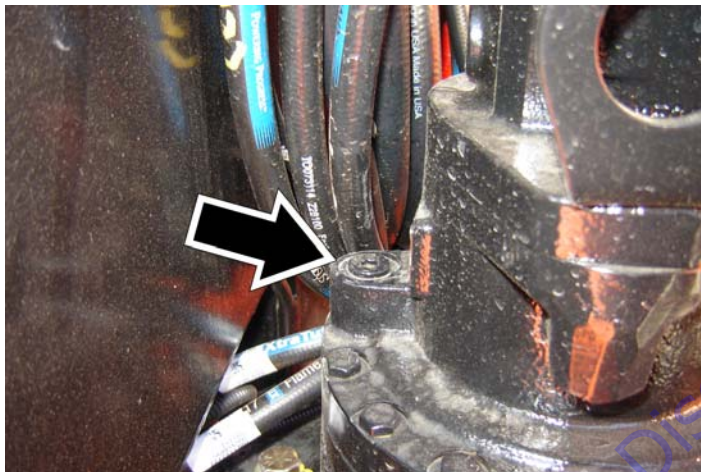


Lube Point(s) - Replaceable Element  
Interval - Every 6 months or 300 hours of operation or as indicated by the condition indicator  
Comments - Check Dust Valve daily

**13. Swing Bearing - Internal Ball Bearing**

Lube Point(s) - 2 Grease Fittings  
Capacity - A/R  
Lube - MPG  
Interval - Every 3 months or 150 hours of operation  
Comments - Fittings in center of bearing: Remote Access is optional: Apply grease and rotate in 90 degree intervals until bearing is completely lubricated

### 14. Swing Drive Hub



Lube Point - Level/Fill Plug

Capacity - 40 oz (1.2 L)

Lube - 90w80 Gear Oil

Interval - Check level every 3 months or 150 hours of operation; change after first 50 hours and every 2 years or 1200 hours of operation thereafter

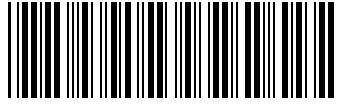
### 7.4 SUPPLEMENTAL INFORMATION

The following information is provided in accordance with the requirements of the European Machinery Directive 2006/42/EC and is only applicable to CE machines.

For electric powered machines, the equivalent continuous A-Weighted sound pressure level at the work platform is less than 70dB(A)

For combustion engine powered machines, guaranteed Sound Power Level (LWA) per European Directive 2000/14/EC (Noise Emission in the Environment by Equipment for Use Outdoors) based on test methods in accordance with Annex III, Part B, Method 1 and 0 of the directive, is 104 dB.

The vibration total value to which the hand-arm system is subjected does not exceed  $2,5 \text{ m/s}^2$ . The highest root mean square value of weighted acceleration to which the whole body is subjected does not exceed  $0,5 \text{ m/s}^2$ .



3121704



An Oshkosh Corporation Company



[www.Discount-Equipment.com](http://www.Discount-Equipment.com)

To order go to [Discount-Equipment.com](http://Discount-Equipment.com)

**TO PURCHASE THIS PRODUCT PLEASE CONTACT US**



**Equipment Financing and  
Extended Warranties Available**



**Discount-Equipment.com is your online resource for  
commercial and industrial quality parts and equipment sales.**

**561-964-4949**

**visit us on line @ [www.discount-equipment.com](http://www.discount-equipment.com)**

Select an option below to find your Equipment

**Search by Manufacturer**

**Search by Product Type**

**Request a Quote**

We sell worldwide for the brands: Genie, Terex, JLG, MultiQuip, Mikasa, Essick, Whiteman, Mayco, Toro Stone, Diamond Products, Generac Magnum, Airman, Haulotte, Barreto, Power Blanket, Nifty Lift, Atlas Copco, Chicago Pneumatic, Allmand, Miller Curber, Skyjack, Lull, Skytrak, Tsurumi, Husquvarna Target, Stow, Wacker, Sakai, Mi-T-M, Sullair, Basic, Dynapac, MBW, Weber, Bartell, Bennar Newman, Haulotte, Ditch Runner, Menegotti, Morrison, Contec, Buddy, Crown, Edco, Wyco, Bomag, Laymor, EZ Trench, Bil-Jax, F.S. Curtis, Gehl Pavers, Heli, Honda, ICS/PowerGrit, IHI, Partner, Imer, Clipper, MMD, Koshin, Rice, CH&E, General Equipment, Amida, Coleman, NAC, Gradall, Square Shooter, Kent, Stanley, Tamco, Toku, Hatz, Kohler, Robin, Wisconsin, Northrock, Oztec, Toker TK, Rol-Air, APT, Wylie, Ingersoll Rand / Doosan, Innovatech, Con X, Ammann, Mecalac, Makinex, Smith Surface Prep, Small Line, Wanco, Yanmar