

PARTS MANUAL



 **WHITEMAN** SERIES

MODEL HTX6H **HYDRAULIC RIDE-ON TROWEL** **(HATZ 4H50TIC DIESEL ENGINE)**

Revision #4 (09/25/19)



THIS MANUAL MUST ACCOMPANY THE EQUIPMENT AT ALL TIMES.

PN: 42914

PARTS FINDER

**Search Website
by Part Number**



**Search Manual
Library For Parts
Manual & Lookup Part
Numbers – Purchase
or Request Quote**

Search Manuals

Enter your information to help us find the right parts manual for your machine.

* Brand:

* Model:

* Serial:

* Part Number:

SEARCH

**Can't Find Part or
Manual? Request Help
by Manufacturer,
Model & Description**

Parts Order Form

Please fill in the following information to help us find the right part for your machine.

Manufacturer:	<input type="text"/>
Model:	<input type="text"/>
Description:	<input type="text"/>
Part Number:	<input type="text"/>
Quantity:	<input type="text"/>
Notes:	<input type="text"/>

Submit

Discount-Equipment.com is your online resource for quality parts & equipment.

Florida: **561-964-4949** Outside Florida TOLL FREE: **877-690-3101**

Need parts?

Click on this link: <http://www.discount-equipment.com/category/5443-parts/> and choose one of the options to help get the right parts and equipment you are looking for. Please have the machine model and serial number available in order to help us get you the correct parts. If you don't find the part on the website or on one of the online manuals, please fill out the request form and one of our experienced staff members will get back to you with a quote for the right part that your machine needs.

We sell worldwide for the brands: Genie, Terex, JLG, MultiQuip, Mikasa, Essick, Whiteman, Mayco, Toro Stone, Diamond Products, Generac Magnum, Airman, Haulotte, Barreto, Power Blanket, Nifty Lift, Atlas Copco, Chicago Pneumatic, Allmand, Miller Curber, Skyjack, Lull, Skytrak, Tsurumi, Husquvarna Target, Stow, Wacker, Sakai, Mi-T-M, Sullair, Basic, Dynapac, MBW, Weber, Bartell, Bennar Newman, Haulotte, Ditch Runner, Menegotti, Morrison, Contec, Buddy, Crown, Edco, Wyco, Bomag, Laymor, EZ Trench, Bil-Jax, F.S. Curtis, Gehl Pavers, Heli, Honda, ICS/PowerGrit, IHI, Partner, Imer, Clipper, MMD, Koshin, Rice, CH&E, General Equipment, Amida, Coleman, NAC, Gradall, Square Shooter, Kent, Stanley, Tamco, Toku, Hatz, Kohler, Robin, Wisconsin, Northrock, Oztec, Toker TK, Rol-Air, APT, Wylie, Ingersoll Rand / Doosan, Innovatech, Con X, Ammann, Mecalac, Makinex, Smith Surface Prep, Small Line, Wanco, Yanmar

TABLE OF CONTENTS

HTX6H Ride-On Trowel

Table of Contents.....	2
Explanation of Code in Remarks Column.....	4
Suggested Spare Parts	5

Component Drawings

Nameplate and Decals Assembly.....	6-7
Frame Assembly (Frame and Fittings).....	8-9
Left Frame Console Assembly.....	10-11
Right Frame Console Assembly	12-13
Front Panel Assembly.....	14-15
Platform Assembly.....	16-17
Cowling Assembly	18-19
Seat Frame Assembly	20-21
Steering/Pump Stroker Assembly.....	22-23
Seat Frame — Document Holder Assembly....	24-25
Electrical Control Panel - Test Port Assembly..	26-27
Pivot Assembly	28-29
Hydraulic Steering Assembly.....	30-31
Hydraulic Cylinder Assembly.....	32-33
Hydraulic Heat Exchanger Assembly (L-R)	34-35
Charge Air Cooler Assembly	36-37
Pump Fittings Assembly	38-39
Fixed Pump Fittings Assembly	40-41
Pump Levers Assembly	42-43
Hydraulic Hose Kit Assembly Complete	44-45
Hyd. Hose Assy. (P. Block Ports C1~C4)	46-47

Hyd. Hose Assy. (LH-RH Steering Valves #1)..	48-49
Hyd. Hose Assy. (LH-RH Steering Valves #2)..	50-51
Hyd. Hose Assy. (P. Block/Frame/Tank/Pump) .	52-53
Hyd. Hose Assy. (P. Block/Cooler/Pump)	54-55
Hyd. Hose Assy. (Cooler/Motors/Pump)	56-57
Hyd. Hose Assy. (P. Block/P. Stroker/Pump/Filter)	58-59
Pitch Block Assembly (Fittings)	60-61
Pitch Block Assembly (Valves)	62-63
Hydraulic Oil Expansion Tank Assembly	64-65
Filter Assembly	66-67
Left-Hand Valve Assembly.....	68-69
Right-Hand Valve Assembly	70-71
Stabilizer Assembly	72-73
6-Blade Spider Assembly (Left-Side)	74-75
6-Blade Spider Assembly (Right-Side).....	76-77
Spray Assembly (S/N NH2003616 and Below) .	78-79
Spray Assembly (S/N NH2003617 and Above) .	80-81
Engine Assembly.....	82-83
Engine Mounting Assembly	84-85
Exhaust Assembly	86-87
Air Cleaner Assembly	88-89
Fuel System Assembly	90-91
Fuel Pump and Fuel Filter Assembly.....	92-93
Battery Assembly.....	94-95
Radiator Mounting Hardware Assembly	96-97
Harness Assembly.....	98-99

NOTICE

Specifications and part numbers are subject to change without notice.

EXPLANATION OF CODE IN REMARKS COLUMN

The following section explains the different symbols and remarks used in the Parts section of this manual. Use the help numbers found on the back page of the manual if there are any questions.

NOTICE

The contents and part numbers listed in the parts section are subject to change **without notice**. Multiquip does not guarantee the availability of the parts listed.

SAMPLE PARTS LIST

NO.	PART NO.	PART NAME	QTY.	REMARKS
1	12345	BOLT	1	INCLUDES ITEMS W/%
2%		WASHER, 1/4 IN.		NOT SOLD SEPARATELY
2%	12347	WASHER, 3/8 IN. ...	1	MQ-45T ONLY
3	12348	HOSE	A/R	MAKE LOCALLY
4	12349	BEARING	1	S/N 2345B AND ABOVE

NO. Column

Unique Symbols — All items with same unique symbol (@, #, +, %, or >) in the number column belong to the same assembly or kit, which is indicated by a note in the “Remarks” column.

Duplicate Item Numbers — Duplicate numbers indicate multiple part numbers, which are in effect for the same general item, such as different size saw blade guards in use or a part that has been updated on newer versions of the same machine.

NOTICE

When ordering a part that has more than one item number listed, check the remarks column for help in determining the proper part to order.

PART NO. Column

Numbers Used — Part numbers can be indicated by a number, a blank entry, or TBD.

TBD (To Be Determined) is generally used to show a part that has not been assigned a formal part number at the time of publication.

A blank entry generally indicates that the item is not sold separately or is not sold by Multiquip. Other entries will be clarified in the “Remarks” Column.

QTY. Column

Numbers Used — Item quantity can be indicated by a number, a blank entry, or A/R.

A/R (As Required) is generally used for hoses or other parts that are sold in bulk and cut to length.

A blank entry generally indicates that the item is not sold separately. Other entries will be clarified in the “Remarks” Column.

REMARKS Column

Some of the most common notes found in the “Remarks” Column are listed below. Other additional notes needed to describe the item can also be shown.

Assembly/Kit — All items on the parts list with the same unique symbol will be included when this item is purchased.

Indicated by:

“INCLUDES ITEMS W/(unique symbol)”

Serial Number Break — Used to list an effective serial number range where a particular part is used.

Indicated by:

“S/N XXXXX AND BELOW”

“S/N XXXX AND ABOVE”

“S/N XXXX TO S/N XXX”

Specific Model Number Use — Indicates that the part is used only with the specific model number or model number variant listed. It can also be used to show a part is NOT used on a specific model or model number variant.

Indicated by:

“XXXXX ONLY”

“NOT USED ON XXXX”

“Make/Obtain Locally” — Indicates that the part can be purchased at any hardware shop or made out of available items. Examples include battery cables, shims, and certain washers and nuts.

“Not Sold Separately” — Indicates that an item cannot be purchased as a separate item and is either part of an assembly/kit that can be purchased, or is not available for sale through Multiquip.

SUGGESTED SPARE PARTS

HTX6H RIDE-ON TROWEL

1 to 3 units

Qty.	P/N	Description
1.....	42732.....	RADIATOR HOSE, UPPER
1.....	42745.....	RADIATOR HOSE, LOWER
1.....	42602-06.....	FILTER, PRE-FUEL
1.....	42602-04.....	PUMP, FUEL
1.....	42799.....	CAP, FUEL
1.....	42702-1.....	FILTER, AIR
1.....	42551.....	HYD. OIL EXP. TANK CAP
1.....	22746.....	HYD. OIL TEMP. SENSOR
1.....	22725-200.....	FUSE, 20 AMP, J CASE
1.....	22725-600.....	FUSE, 60 AMP, J CASE
1.....	23959.....	SWITCH, IGNITION
1.....	23959-01.....	SWITCH, IGNITION KEY
1.....	42616-1.....	ELEMENT, MED. PRESSURE, HYD. FILTER
1.....	42615-1.....	ELEMENT, HIGH PRESSURE, HYD. FILTER

HATZ 4H50TIC DIESEL ENGINE

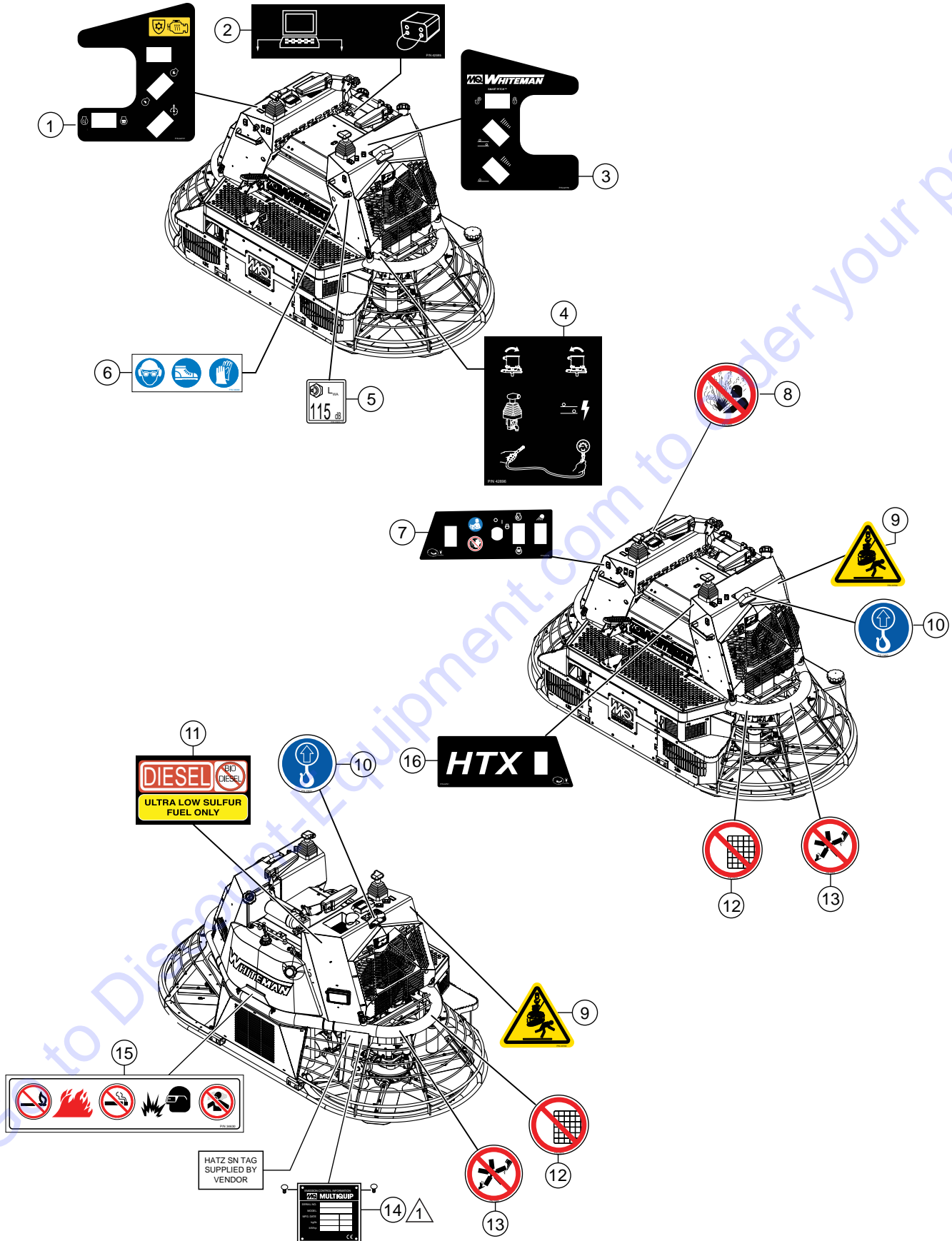
1 to 3 units

Qty.	P/N	Description
1.....	42602-15.....	PRE FUEL FILTER
1.....	42602-18.....	FUEL FILTER
1.....	42702-1.....	AIR FILTER, PRIMARY
4.....	42602-71.....	POLY V-BELT 768
1.....	42602-68.....	OIL FILTER
1.....	42602-34.....	OIL SEP. CRANK. BREATHER

NOTICE

Part numbers on this Suggested Spare Parts list may supersede/replace the part numbers shown in the following parts lists.

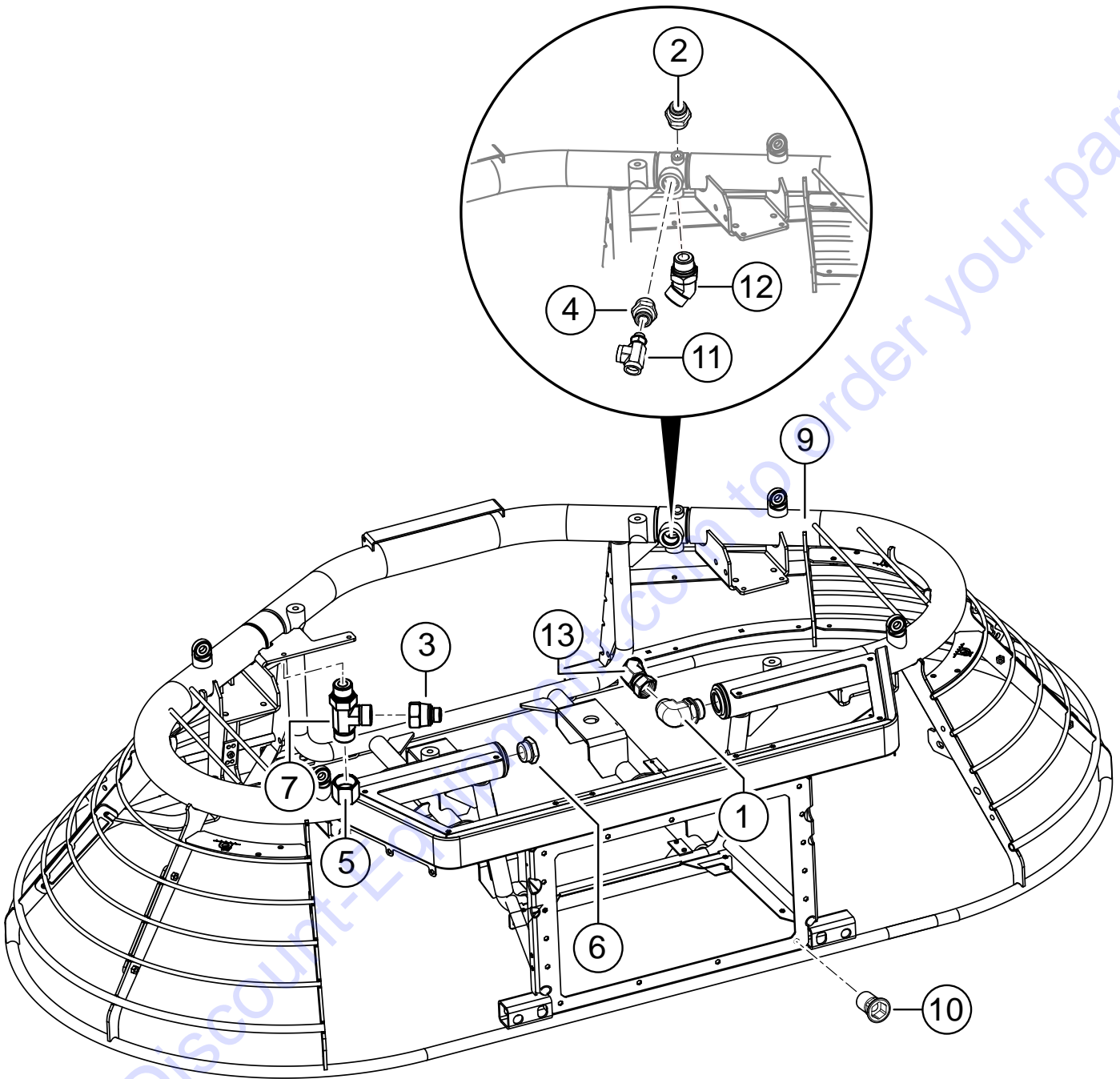
NAMEPLATES AND DECALS ASSY.



NAMEPLATES AND DECALS ASSY.

<u>NO.</u>	<u>PART NO.</u>	<u>PART NAME</u>	<u>QTY.</u>	<u>REMARKS</u>
1	42777	DECAL ISO, RH CONSOLE TOP	1	
2	42595	DECAL ISO, SERVICE TOOL & SET UP JUMPER	1	
3	42778	DECAL ISO, LH CONSOLE TOP OVERLAY	1	
4	42896	DECAL ISO, PRESSURE TEST PORTS	1	
5	23803-121	DECAL ISO, GUARANTEED SOUND 121 dBA	1	
6	36099	DECAL ISO, PROTECTIVE CLOTHING, 3.50" X 1.13"	1	
7	42779	DECAL ISO, RH CONSOLE FRONT OVERLAY	1	
8	23875	DECAL ISO, HOT COOLANT, 2" DIA	1	
9	23700	DECAL ISO, LIFTING/CRUSH, 2.4" X 2.0" DIA	2	
10	23805	DECAL ISO, LIFTING POINT 2.00" DIA	2	
11	42970	DECAL, DIESEL FUEL	1	
12	23874	DECAL ISO, DO NOT REMOVE GUARDS HZRD, 2.00" DIA.	2	
13	23698	DECAL ISO, ROTATING BLADE HAZARD, 2.00" DIA	2	
14	13805	SERIAL TAG	1	
15	34630	DECAL ISO, FIRE, EXP., SMOKING HAZ 6.50" X 1.40"	1	
16	42791	DECAL ISO, LH CONSOLE FRONT OVERLAY, HTX	1	
19	42793	HTX6H, DECAL LOCATOR	1	

FRAME ASSY. (FRAME AND FITTINGS)

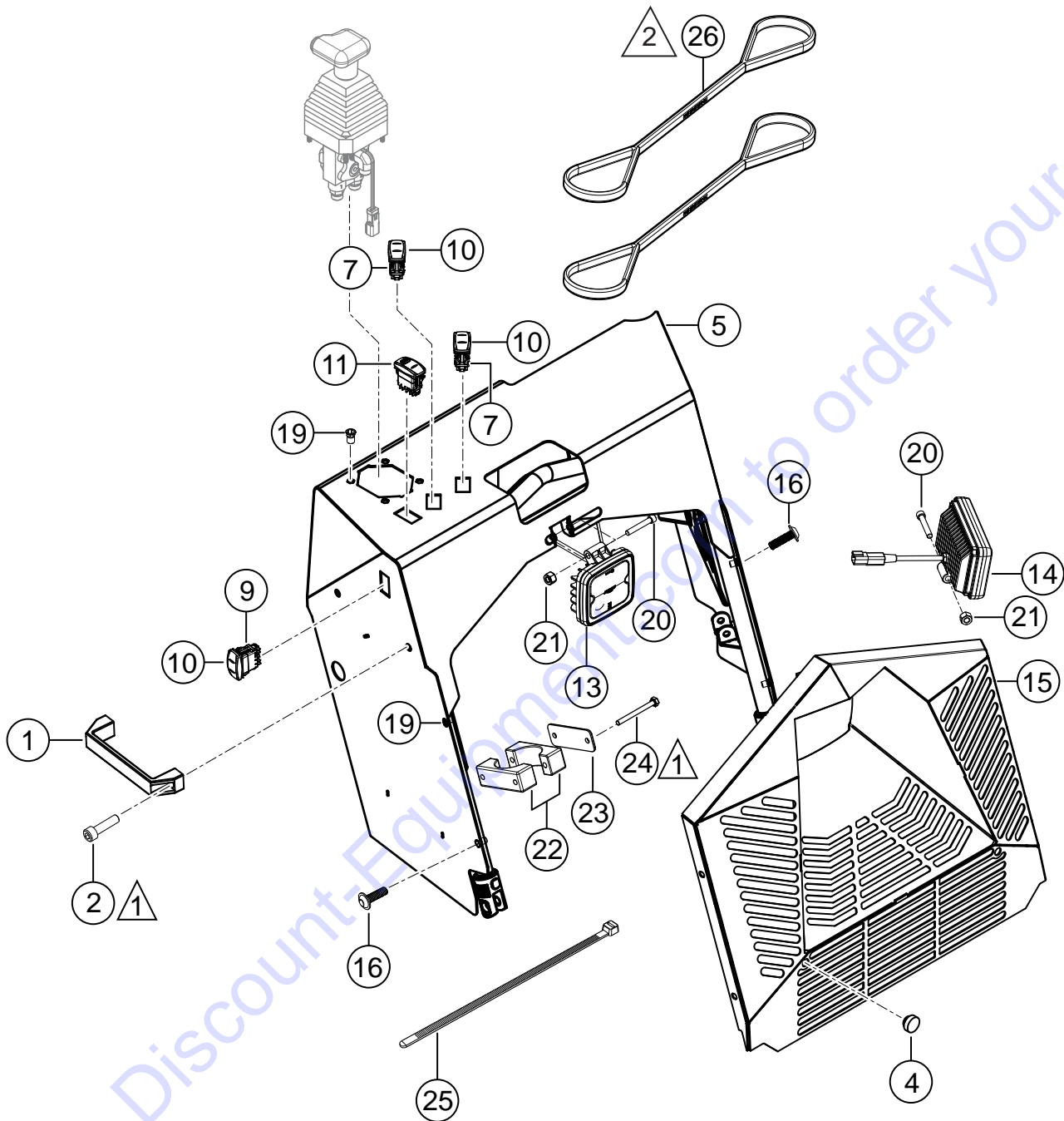


FRAME ASSY. (FRAME AND FITTINGS)



<u>NO.</u>	<u>PART NO.</u>	<u>PART NAME</u>	<u>QTY.</u>	<u>REMARKS</u>
1	32339	FITTING, 90 16MORFS x 20MOR	1	
2	32730	FITTING, STR 6 MO X 4 MORFS	1	
3	32728	FITTING, STR 8 FORFS X 4 MORFS	1	
4	32423	FITTING, STR 12MORFS x 16MOR	1	
5	32729	FITTING, TEE, CAP 8 FORFS	1	
6	42938	FITTING, STR 16MORFS X 20MOR	1	
7	32727	FITTINGm TEE 8 MO X 8 MORFS RUN	1	
9	42590	FRAME, MAIN	1	
10	42496	RIVNUT, HALF HX BODY, LG FLANGE, M6X1.0 ISO	1	
11	32731	FITTING, TEE 12 FORFS X 12 MORFS RUN	1	
12	32805	FITTING, 45 12MORFS x 12MOR	1	
13	32732	FITTING, 45 16 FORFS X 16 MORFS	1	

Go to Discount-Equipment.com to order your parts

LEFT FRAME CONSOLE ASSY.



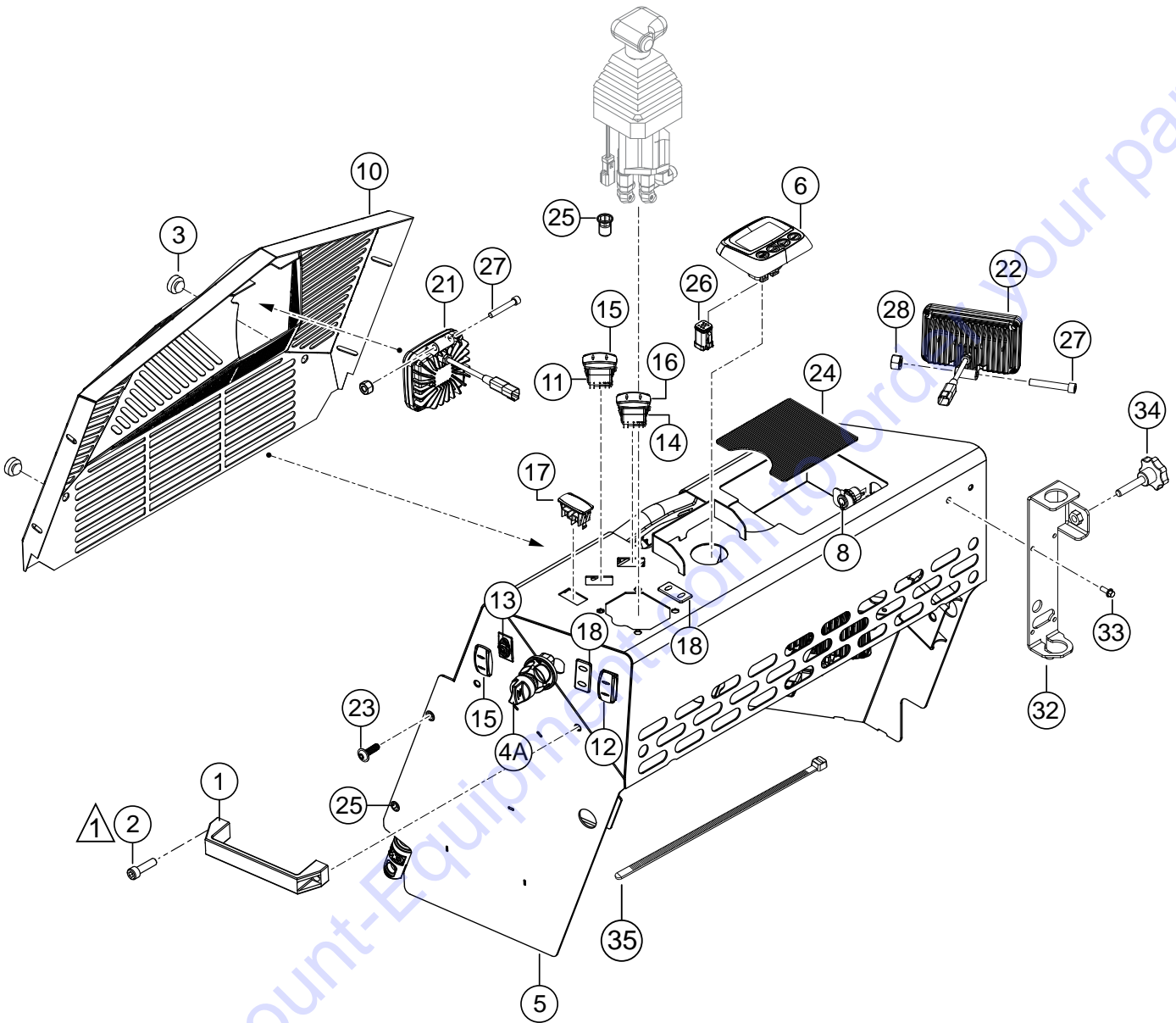
NOTES:

-  APPLY LOCTITE #246
-  ATTACH LIFTING SLING

LEFT FRAME CONSOLE ASSY.

<u>NO.</u>	<u>PART NO.</u>	<u>PART NAME</u>	<u>QTY.</u>	<u>REMARKS</u>
1	20674	HANDLE, GRAB	1	
2	24244	SCREW, SHC M8-1.25 X 20MM	2	
4	21597	BUMPER,STEM	2	
5	42769	CONSOLE, TIER 4 LEFT SEAT FRAME	1	
7	42178-001	SWITCH BASE, 10 TERM, MOM ON-OFF- MOM ON	2	
9	42178-003	SWITCH BASE, CARLING CONTURA SERIES	1	
10	42179-001	ACTUATOR, CARLING CONTURA V-SERIES	3	
11	42180-002	SWITCH, LOCK ROCKER, CONT V-SERIES	1	
13	42262	LIGHT, LED 20W 4 EMITTERS 60°	1	
14	42263	LIGHT, LED 20W 6 EMITTERS 60°	1	
15	42324	COVER, GEN 3 LEFT END W/A	1	
16	42325	SCREW, BHSC, M6-1.0 X 20, FLANGED	6	
19	42496	RIVNUT, HALF HX BODY, LG FLANGE	8	
20	42897	SCREW, SHC 5/16-18 X 2.0"	2	
21	5283	NUT, NYLOC 5/16-18	2	
22	32475-C	BODY, CLAMP 2"DIA 2 HOLE	1	
23	32475-B	PLATE, COVER #6-2 HOLE	1	
24	32475-D	SCREW,HHC M6-1x72MM	2	
25	42315	TIE, CABLE	6	
26	23165	SLING, LIFTING	2	

RIGHT FRAME CONSOLE ASSY.

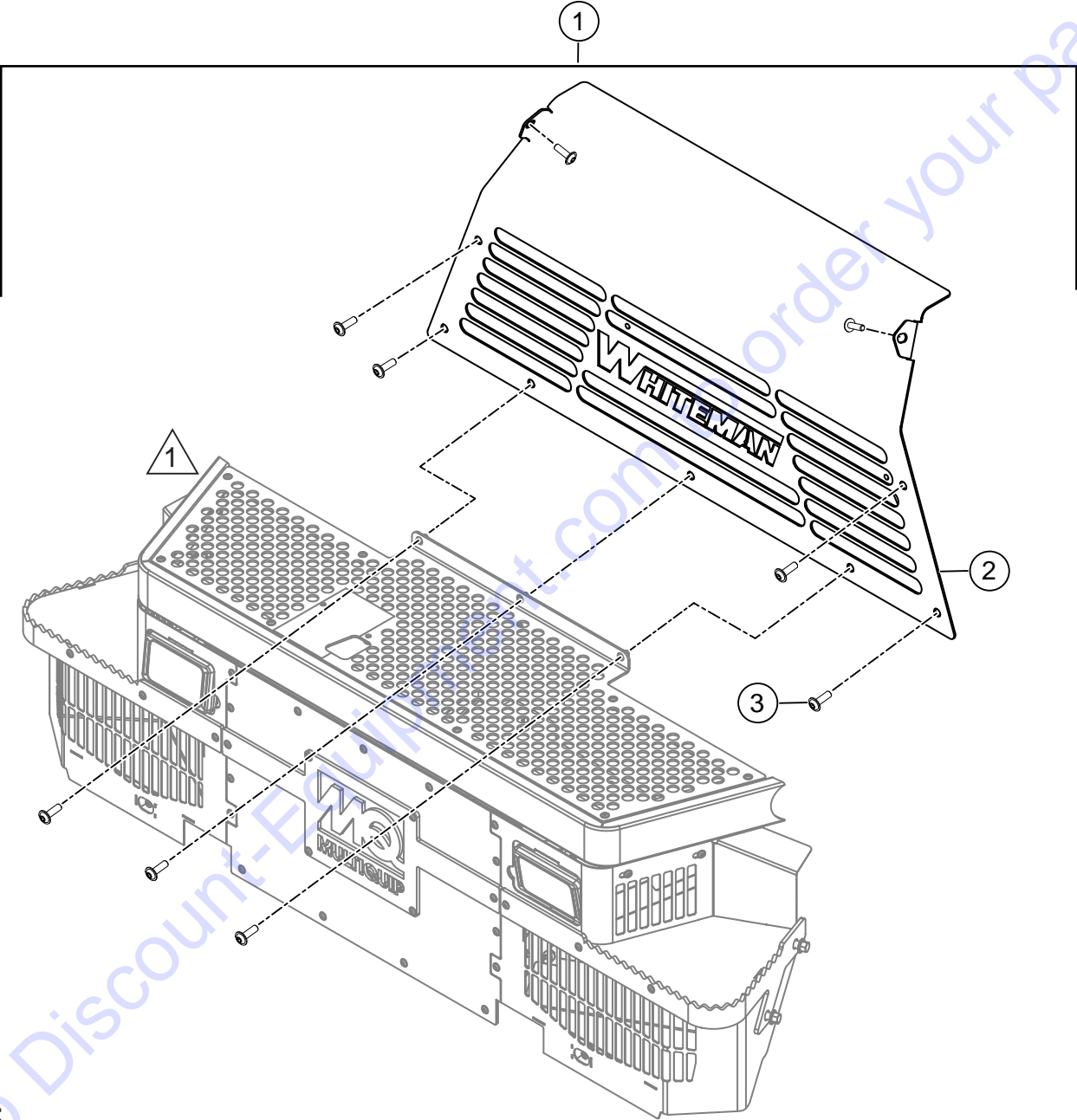


NOTES:
1 APPLY LOCTITE #246

RIGHT FRAME CONSOLE ASSY.

<u>NO.</u>	<u>PART NO.</u>	<u>PART NAME</u>	<u>QTY.</u>	<u>REMARKS</u>
1	20674	HANDLE, GRAB	1	
2	24244	SCREW, SHC M8-1.25 X 20MM	2	
3	21597	BUMPER,STEM	2	
4	23959	SWITCH, IGNITION.....	1	INCLUDESITEMSW/\$
4A\$	23959-01	KEY, IGNITION SWITCH	1	
5	42770	CONSOLE, TIER 4 RIGHT SEAT FRAME	1	
6	42748	DISPLAY, J1939-MURPHY PV101	1	
8	42780	ACCESSORY PORT, USB POWER	1	
10	42169	COVER, GEN 3 RIGHT END	1	
11	42178-001	SWITCH BASE, 10 TERM, MOM ON-OFF MOM ON	1	
12	42178-002	SWITCH BASE, 10 TERM, ON-OFF	1	
13	42178-003	SWITCH BASE, CARLING CONTURA SERIES	1	
14	42178-004	SWITCH BASE, CARLING CONTURA SERIES	1	
15	42179-001	ACTUATOR, CARLING CONTURA V-SERIES	3	
16	42179-002	ACTUATOR, CARLING CONTURA V-SERIES	1	
17	42781	PLUG, CONSOLE SWITCH	1	
18	42181-001	INDICATOR, CONTURA VP SERIES	2	
21	42262	LIGHT, LED 20W 4 EMITTERS 60°	1	
22	42263	LIGHT, LED 20W 6 EMITTERS 60°	1	
23	42325	SCREW, BHSC, M6-1.0 X 20, FLANGED	4	
24	42552	MAT, RUNNER ACCESORY TRAY	1	
25	42496	RIVNUT, HALF HX BODY, LG FLANGE, M6 X 1.0 ISO	8	
26	42782	CON HOUSING, DEUTSCH-DT,6 POS, FEM, PLUG	1	
27	42897	SCREW, SHC 5/16-18 X 2.0"	2	
28	5283	NUT, NYLOC 5/16-18	2	
32	42838	HOLDER, UMBRELLA	1	
33	42542	SCREW HFS, ZP, M6-1.0 X 16	4	
34	42839	SCREW, THUMB M10-1.5 X 50	1	
35	42315	TIE, CABLE	6	

FRONT PANEL ASSY.



NOTE:

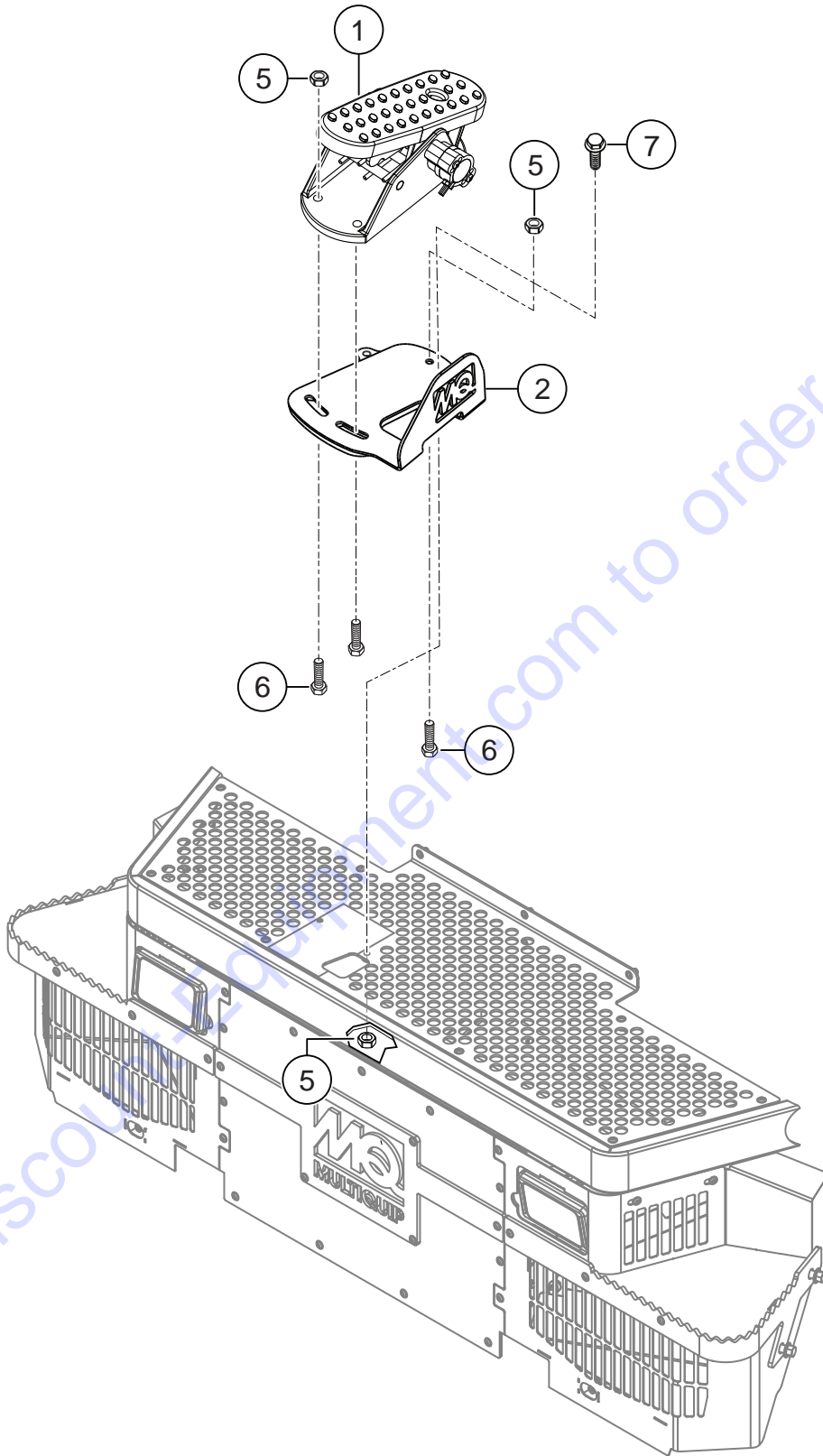
1 FOOT PEDAL NOT SHOWN FOR CLARITY.
SHOWN ON PLATFORM ASSY.

FRONT PANEL ASSY.

<u>NO.</u>	<u>PART NO.</u>	<u>PART NAME</u>	<u>QTY.</u>	<u>REMARKS</u>
1	42933	PANEL, FRONT, ASSEMBLY	1.....	INCLUDES ITEMS W#
2#	42932	PANEL, FRONT	1	
3#	42325	SCREW, BHSC, M6-1.0 X 20, FLANGED	9	

Go to Discount-Equipment.com to order your parts

PLATFORM ASSY.

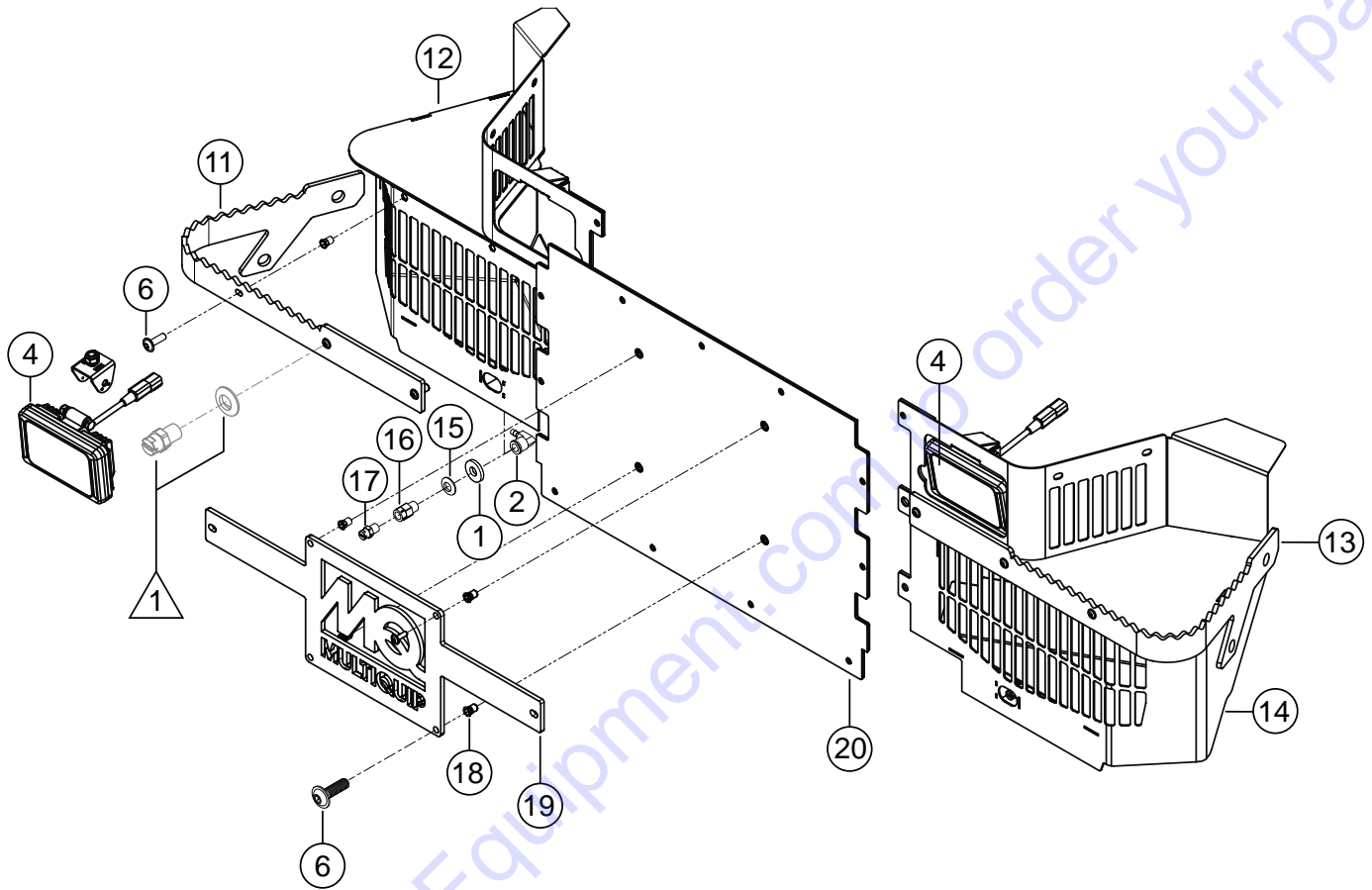


PLATFORM ASSY.

<u>NO.</u>	<u>PART NO.</u>	<u>PART NAME</u>	<u>QTY.</u>	<u>REMARKS</u>
1	42197	PEDAL, FOOT	1	
2	42491	FOOT PEDAL, EXT.	1	
5	42344	NUT, NYLOC M8-1.25, CLASS 8.8	5	
6	1605	SCREW, HHC M8-1.25 X 25MM	3	
7	42436	SCREW, HFS, ZP, M8-1.25 X 25MM, CLASS 8.8	2	

Go to Discount-Equipment.com to order your parts

COWLING ASSY.



NOTE:

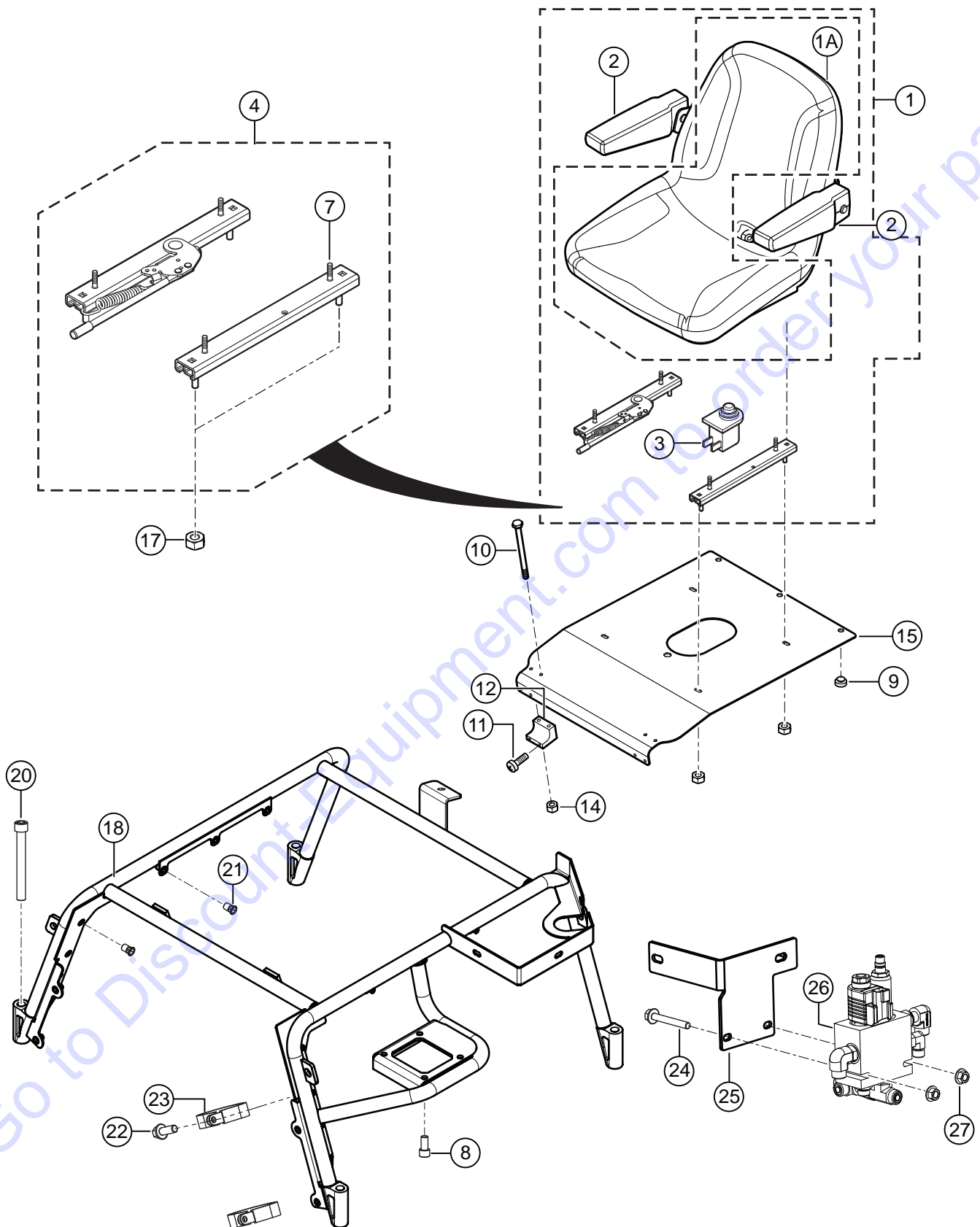
△ 1 SHOWN ON SPRAY ASSY.

COWLING ASSY.

<u>NO.</u>	<u>PART NO.</u>	<u>PART NAME</u>	<u>QTY.</u>	<u>REMARKS</u>
1	16630	WASHER, FLAT, SAE 1/2 HI STREN	2	
2	2912	FITTING, BRASS 90 4BARB-1/4FP	2	
4	42263	LIGHT, LED 20W 6 EMITTERS 60°	2	
6	42325	SCREW, BHSC, M6-1.0 X 20, FLANGED	10	
10	42342	SCREW, HFS, ZP, M8-1.25 x 16, CLASS 8.8	8	
11	42666	BADGE, RIGHT FOOT PLATFORM	1	
12	42727	MODULE, RIGHT HYDRAULIC COOLER	1	
13	42668	BADGE, LEFT FOOT PLATFORM	1	
14	42728	MODULE, LEFT HYDRAULIC COOLER	1	
15	2898	WASHER, BONDED NEOPRENE 1" X 1/2"	2	
16	42637	CHECK VALVE, 1/4 MNPT X 1/4 FNPT 3 PSI	2	
17	392292	NOZZLE, SPRAY	2	
18	42496	RIVNUT FASTENER, HALF HEX, M6 X 1	10	
19	42667	BADGE, MIDDLE FOOT PLATFORM	1	
20	42665	PANEL, FRONT FOOT PLATFORM	1	

Go to Discount-Equipment.com to order your parts

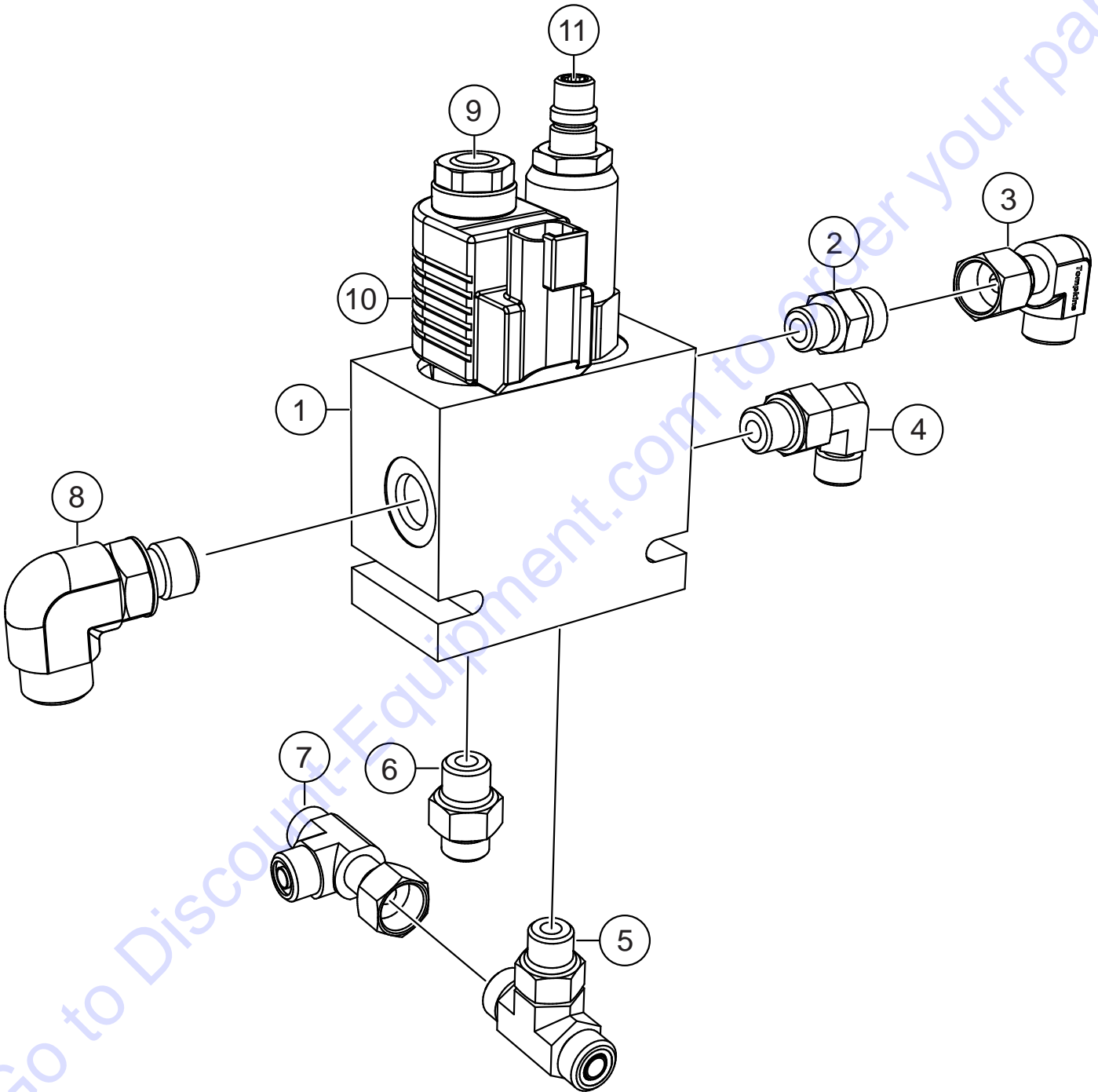
SEAT FRAME ASSY.



SEAT FRAME ASSY.

<u>NO.</u>	<u>PART NO.</u>	<u>PART NAME</u>	<u>QTY.</u>	<u>REMARKS</u>
1A\$	21860	SEAT, BASIC MICHIGAN	1	
1	21852-S	SEAT, MICHIGAN, ADJUSTABLE W/ARMS	1	INCLUDESITEMSW/\$
2\$	21868	ARMREST KIT, MICHIGAN	1	
3\$	21870	KILL SWITCH, DELTA SYSTEMS	1	
4\$	21865	SEAT ADJUSTER KIT, MICHIGAN	1	INCLUDESITEMSW/#
7#	0400 B	SCREW, HHC 5/16-8 X 1/2"	4	
8	17118	SCREW, SHC, 3/8-16 X 3/4"	4	
9	21597	BUMPER, STEM 1.0"D X .5S X .31	3	
10	25307	SCREW, HHC M6-1.0 X 50 MM	4	
11	12287	SCREW, THP 1/4-20 X 3/4" SS	4	
12	20685	BLOCK, OPERATOR SEAT PIVOT	2	
14	42352	NUT, HEX, SERRATED-FLANGE, M6-1.0	4	
15	42069	PLATE, SEAT	1	
17	49071	NUT, FLANGED, 5/16-18 SERRATED	4	
18	42066	SEAT FRAME W/A.....	1	INCLUDESITEMSW/@
20@	32606	SCREW, HHC M14, 2.0 X 90MM, CLASS 10.9	4	
21@	42496	RIVNUT, HALF HX BODY, LG FLANGE, M6 X 1.0	13	
22	42542	SCREW HFS, ZP, M6-1.0 X 16	2	
23	21544	CLAMP, 2-3/16 ID	2	
24	42005	SCREW, HHF M8-1.25 X 60MM ZINC	2	
25	42775	MOUNT, STEERING VALVE, TIER 4	1	
26	32282	VALVE ASSEMBLY, STEERING/PUMP STROKER	1	
27	23802	NUT, HEX FLANGE M8-1.25 SERRATED	2	

STEERING/PUMP STROKER ASSY.

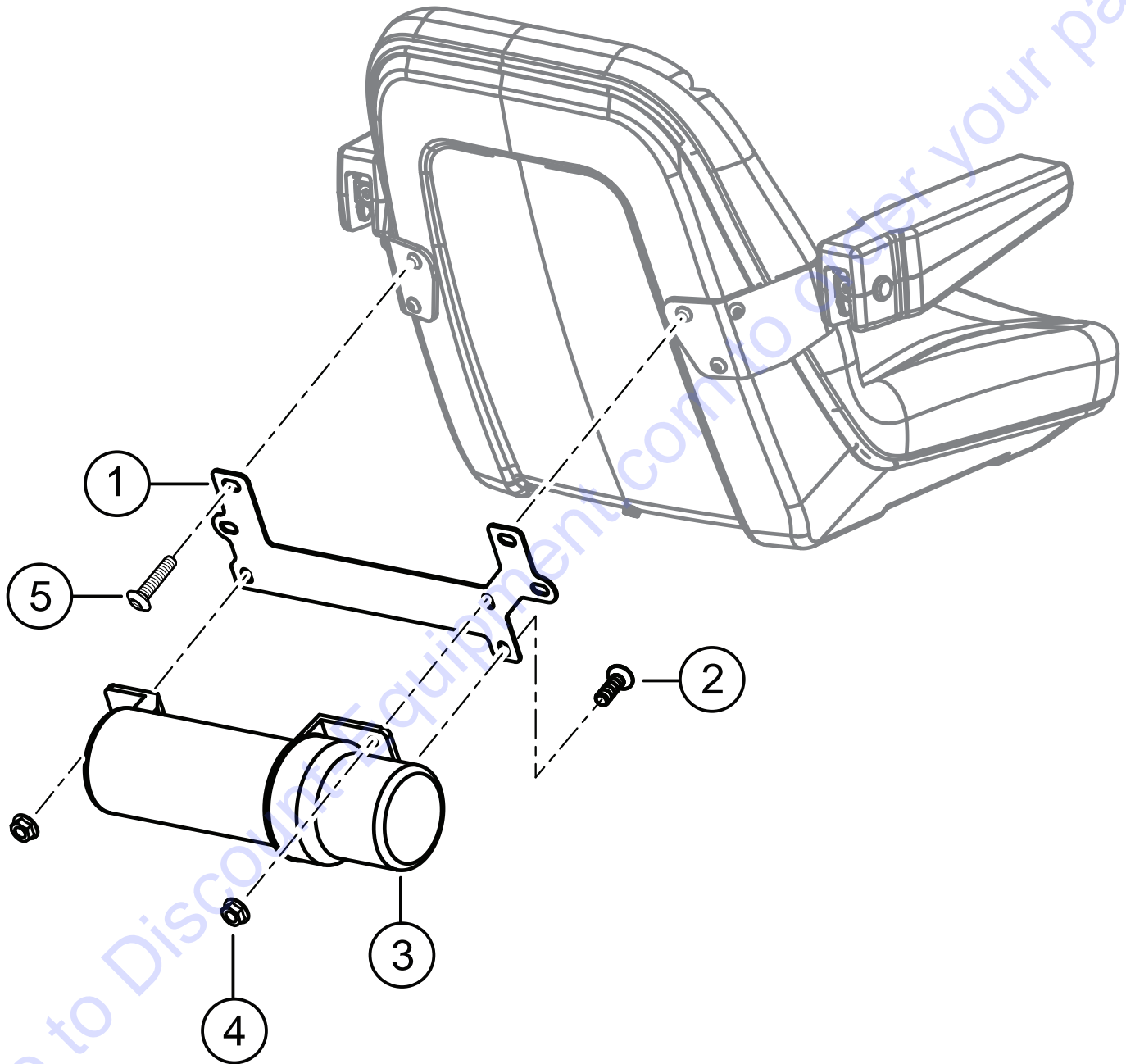


STEERING/PUMP STROKER ASSY.

<u>NO.</u>	<u>PART NO.</u>	<u>PART NAME</u>	<u>QTY.</u>	<u>REMARKS</u>
1	32282	VALVE ASSY., STEERING/PUMP STROKER	1	
2	32256	FITTING, 90 6FORFS x 6MORFS	1	
3	32341	FITTING, STR -6MORFS x -6MOR	1	
4	32733	FITTING, 90 4MORFS X 6MOR	1	
5	42942	FITTING, TEE 6MORFS X 6MOR	1	
6	32730	FITTING, STR 6 MO X 4 MORFS	1	
7	32426	FITTING, TEE 6MORFSx6FORFS	1	
8	32354	FITTING, 90 -6MORFS x -6MOR	1	
9	22835	VALVE, PROPORTIONAL-CP558-24-B-00-350-000	1	
10	22283	COIL, STROKER VALVE	1	
11	22831	VALVE, PRESSURE REDUCING-CP230-2-B-0-E-A-014	1	

Go to Discount-Equipment.com to order your parts

SEAT FRAME — DOCUMENT HOLDER ASSY.

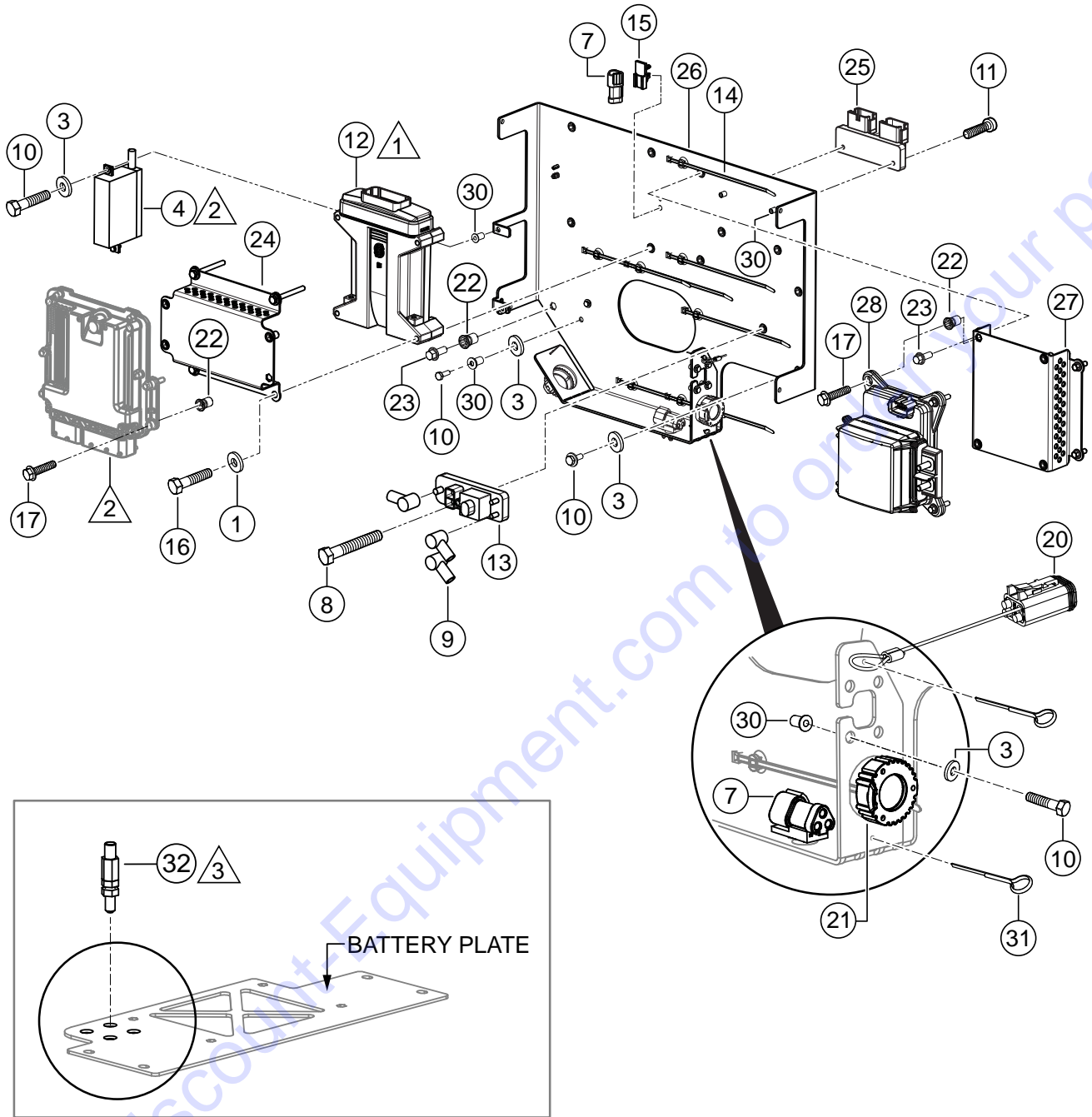


SEAT FRAME — DOCUMENT HOLDER ASSY.

<u>NO.</u>	<u>PART NO.</u>	<u>PART NAME</u>	<u>QTY.</u>	<u>REMARKS</u>
1	42541	BRACKET, DOCUMENT HOLDER	1	
2	29712	BOLT, CARRIAGE, 1/4-20 X 3/4"	3	
3	23297	MANUAL HOLDER, PICTOGRAPH	1	
4	49070	NUT, FLANGED, 1/4-20 SERRATED PLTD	3	
5	21869	SCREW,CAP 5/16-18 x 5/8" SELF TAP BUTTON	6	

Go to Discount-Equipment.com to order your parts

ELECTRICAL CONTROL PANEL - TEST PORT ASSY.



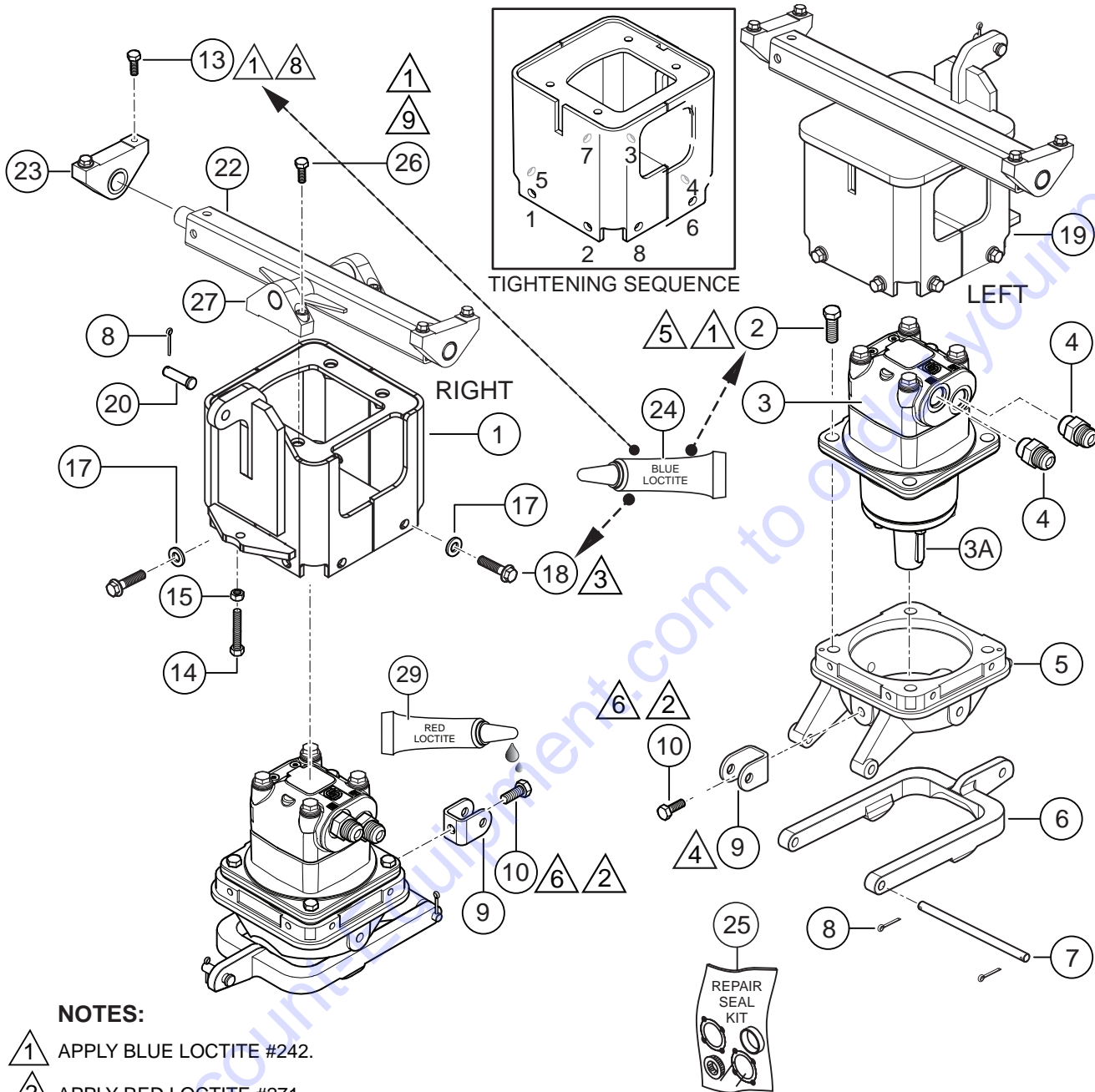
NOTE:

- △ 1 CONNECTS TO MAIN HARNESS.
- △ 2 INCLUDED WITH ENGINE.
- △ 3 HTX6H TEST PORTS

ELECTRICAL CONTROL PANEL - TEST PORT ASSY.

<u>NO.</u>	<u>PART NO.</u>	<u>PART NAME</u>	<u>QTY.</u>	<u>REMARKS</u>
1	0948	WASHER, FLAT SAE 1/4	4	
3	15173	WASHER, FLAT, #8	9	
4	42602-50	FUSE BOX, HATZ	1	
7	22815	RECEPTACLE, RES. 120 OHM, DEUTSCH DT 3 POS	2	
8	25307	SCREW, HHC M6-1.0 X 50MM	1	
9	2762	BOOT, TERMINAL	3	
10	28922-083	SCREW, HHC M4-0.7 X 12MM	9	
11	35299	SCREW, PHP M4-0.7 X 25MM	2	
12	42072	CONTROLLER, MC 050-120	1	
13	42140	MODULE, POWER RELAY	1	
14	42315	TIE, CABLE ASM, FIR TREE MOUNT AND CABLE	7	
15	42328	CLIP, MOUNTING DEUTCH 2 PIN	3	
16	42339	SCREW, HHC, ZP, M6-1.0 x 60, CLASS 8.8	4	
17	42347	SCREW, HFS, ZP, M6-1.0 x 30, CLASS 8.8	8	
20	42440	LANYARD, 4-WAY PLUG, DT SERIES	1	
21	42442	CON. CAP, DEUTSCH, HD10, 9 PIN WLANYARD	2	
22	42496	RIVNUT FASTENER, HALF HEX LONG FLNG M6X1	20	
23	42542	SCREW HFS, ZP, M6-1.0 X 16	5	
24	42704	BRACKET, HATZ ENGINE ECU MOUNT	1	
25	42713	BUSS BAR, DEUTSCH STYLE, 24 PIN	1	
26	42890	PANEL, STX/HTX DIESEL ELECTRICAL	1	
27	42891	BRACKET, FUSE PANEL MOUNT	1	
28	42893	FUSE BOX, HTX/STX T4	1	
30	49163	NUT, BLIND M4-1.0 x .020-.08 GRIP	11	
31	5117	PIN, COTTER 1/16Dx1/2	2	
32	32446	FITTING, SERVICE PORT -4MJ BLKHEAD	4	

PIVOT ASSY.



NOTES:

① APPLY BLUE LOCTITE #242.

② APPLY RED LOCTITE #271.

③ APPLY MINIMAL AMOUNT OF LPS ANTI-SEIZE GREASE TO THREADS OF SCREW (ITEMS 18).
 ③ HAND START SCREWS. FOLLOWING TIGHTENING SEQUENCE (SEE DIAGRAM ABOVE).
 TORQUE SCREW ASSEMBLY (FIRST PASS) TO A VALUE OF 21 FT-LBS (28.47 N·m). FOLLOW
 SAME SEQUENCE FOR FINAL TORQUE OF 41 FT-LBS (55.59 N·m).

④ CLEAN WITH NON-PETROLEUM BASE CLEANER BEFORE INSTALLING ITEMS 9 AND 10.

⑤ TORQUE BOLTS TO 125FT-LB (169.48 N·m.)

⑥ TORQUE BOLTS TO 57FT-LB (77.28 N·m.)

⑦ TORQUE BOLTS TO 33FT-LB (44.74 N·m.)

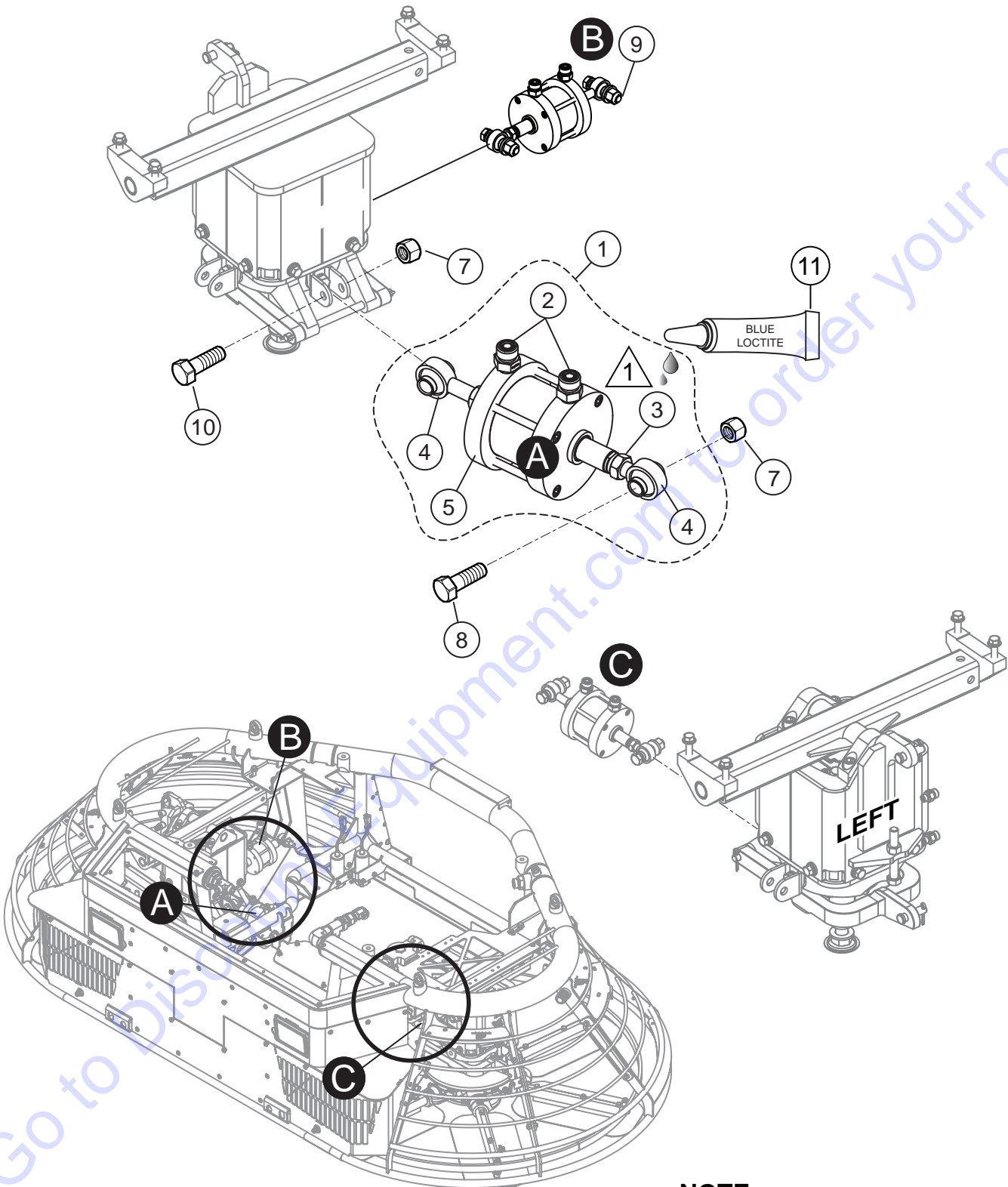
⑧ TORQUE BOLTS TO 23FT-LB (31.18 N·m.)

⑨ TORQUE BOLTS TO 76FT-LB (103.04 N·m.)

PIVOT ASSY.

<u>NO.</u>	<u>PART NO.</u>	<u>PART NAME</u>	<u>QTY.</u>	<u>REMARKS</u>
1	42579	HOUSING, HYD MOTOR, RIGHT SIDE	1	
2	21376	SCREW, HHC 5/8-11 X 1-1/2"	8	
3A\$	11009878	SHAFT/BEARING HYD. MOTOR DANFOSS	2	
3	21856	MOTOR, HYD SAUER-DANFOSS.....	2.....	INCLUDES ITEMS W/\$
4	32357	FITTING, STR -10MORFS x -12MOR	4	
5	20643	HOUSING, LOWER MOTOR HSG	2	
6	22738	YOKE, PITCH-MACHINED	2	
7	21022	PIN, YOKE PIVOT	2	
8	0183	PIN, COTTER 1/8D X 1-1/4"	8	
9	20787	CLEVIS, STEERING CYLINDER	3	
10	2691	SCREW, SCREW, HHC 1/2-13 X 1"	3	
13	22106	SCREW, HHFS 3/8-16 X 1-1/4" ZN	8	
14	25002	SCREW, HHC 1/2-13 X 3-1/2" TAP	2	
15	968011	NUT, HEX FINISH 1/2-13	2	
17	21707	WASHER, FLAT 3/8 NORDLOC	16	
18	22228	SCREW, HHF 3/8-16 X 1.00" GRD 8	16	
19	42585	HOUSING, HYD MOTOR, LEFT SIDE	1	
20	22409	PIN, CLEVIS .50 X 1.50" STEEL ZINC PLTD	4	
22	42240	TRUNNION, SQ. DOUBLE DOF	1	
23	11555	PIVOT BLOCK ASSY., MOTOR MT W/BUSH	4	
24	1477	LOCTITE, #242, BLUE, 0.5CC BOTTLE	AR	
25	32113	SEAL KIT COMP	1	
26	17333	SCREW, SHC, M12 - 1.75 X 45" SS	4	
27	42280	BLOCK, MOTOR PIVOT, ASSEMBLY	2	
29	19379-014	LOCTITE, RED #271	AR	

HYDRAULIC STEERING ASSY.



HYDRAULIC STEERING ASSY.

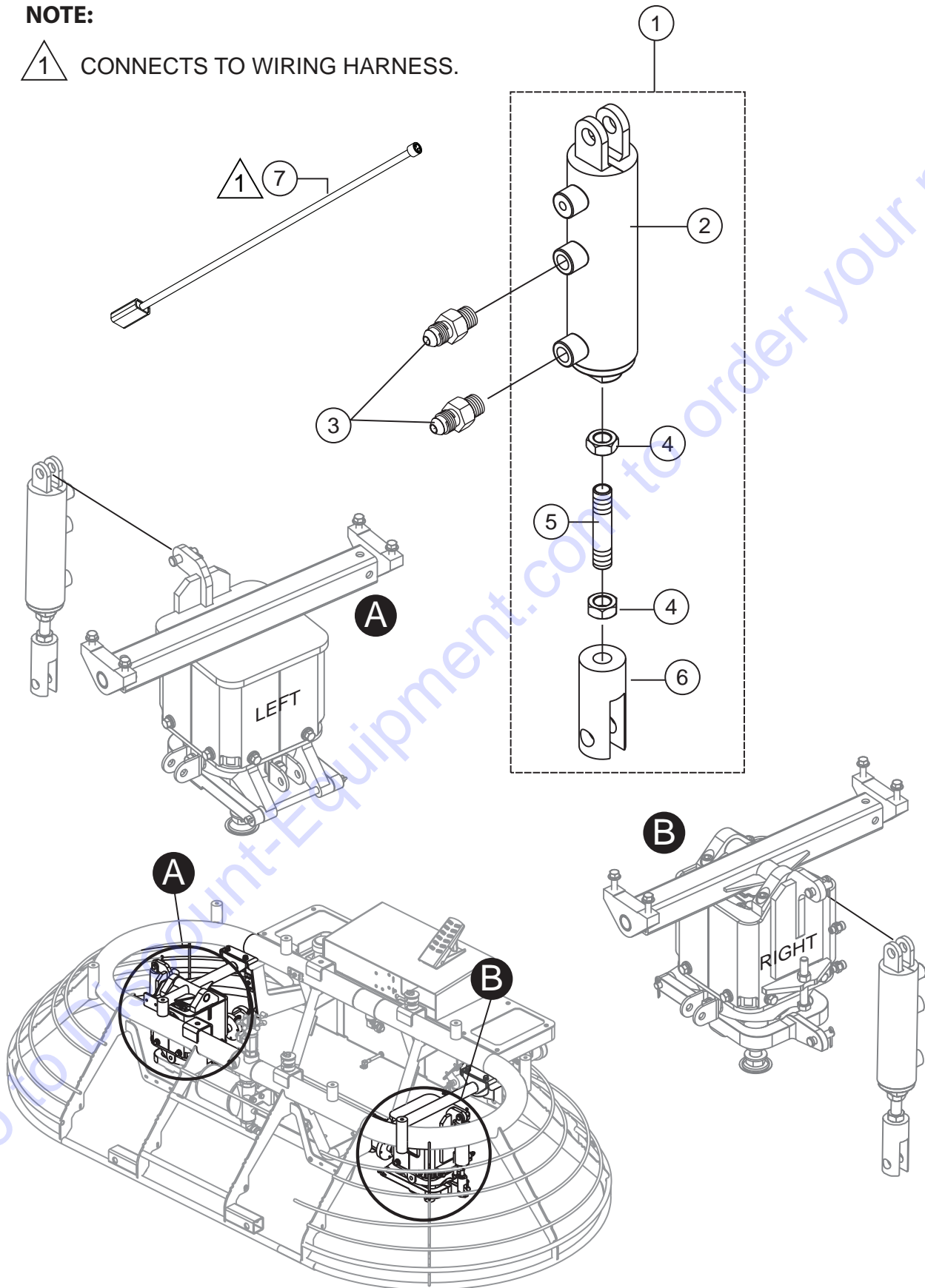
<u>NO.</u>	<u>PART NO.</u>	<u>PART NAME</u>	<u>QTY.</u>	<u>REMARKS</u>
1	42226	CYLINDER HYD. STEERING	2.....	INCLUDES ITEMS W/#
2#\$	32350	FITTING, STR -6MORFS X 1/4MP	6	
3#\$	11146	NUT, HEX JAM 1/2-20 PLATED	6	
4#\$	21944	ROD END, 1/2-20 M RH W/CUSTOM BALL	6	
5#\$	12056	CYL. 2.5" BORE X 1.5" STROKE X .75 ROD	3	
7#	10176	NUT, NYLOC 1/2-13	4	
7A\$	42451	NUT, HEX, SERRATED-FLANGE, M12-1.75	2	
8#	13178	SCREW, HHC 1/2-13 X 2-1/4"	2	
9	42317	CYLINDER, HYD. STEERING	1.....	INCLUDES ITEMS W/\$
10#\$	12318	SCREW, HHC 1/2-13 X 2 3/4"	2	
11	1477	LOCTITE, #242, BLUE, 0.5CC BOTTLE	AR	

Go to Discount-Equipment.com to order your parts

HYDRAULIC CYLINDER ASSY.

NOTE:

 1 CONNECTS TO WIRING HARNESS.

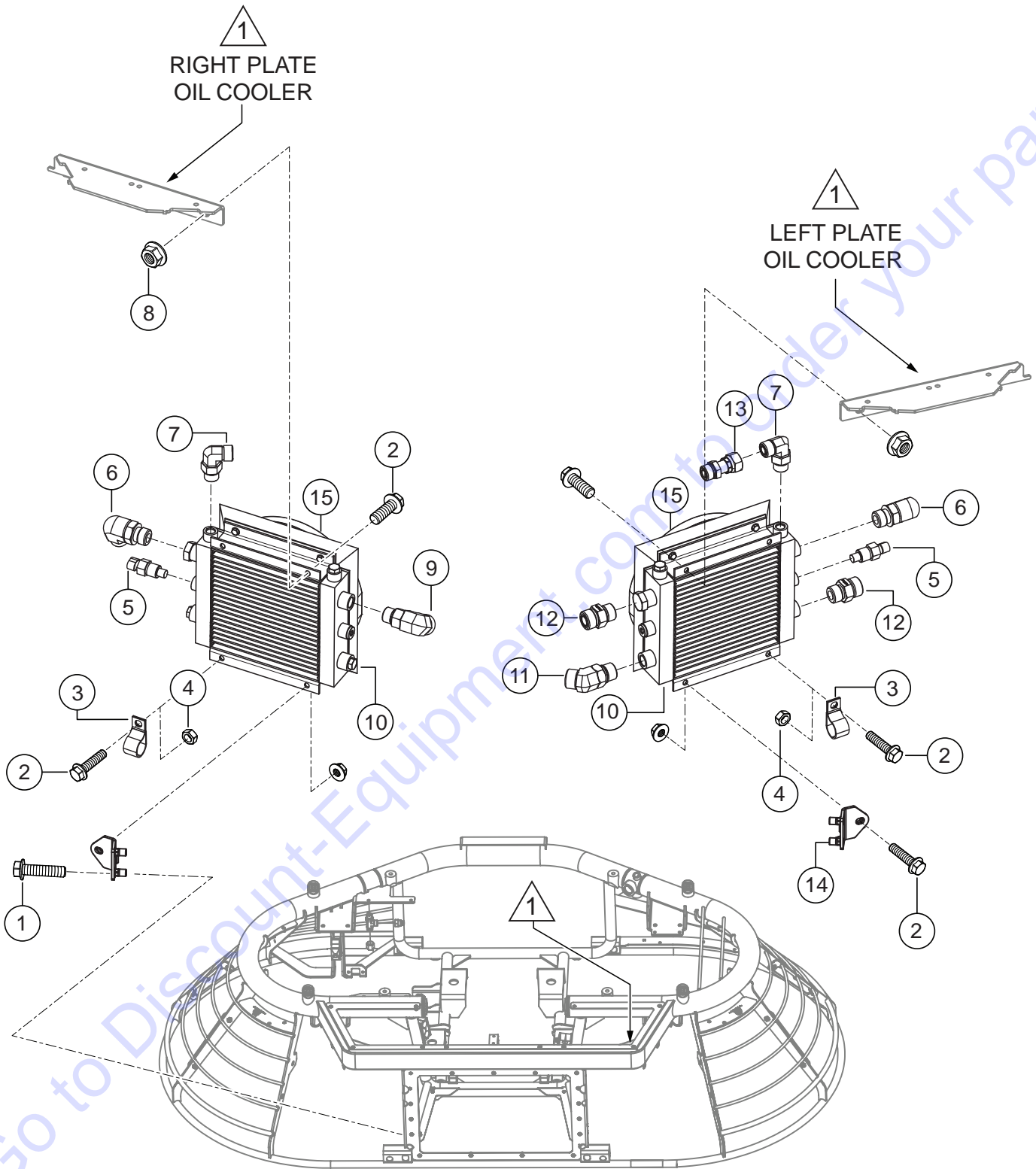


HYDRAULIC CYLINDER ASSY.

<u>NO.</u>	<u>PART NO.</u>	<u>PART NAME</u>	<u>QTY.</u>	<u>REMARKS</u>
1	32706-SK	KIT, HYDRAULIC PITCH CYLINDER.....	2.....	INCLUDESITEMSW/#
2#	32673	CYLINDER, POSITION PITCH	2	
3#	32340	FITTING, STR -4MORFS X -4MOR, RIGHT SIDE	4	
4#	11146	NUT, HEX JAM 1/2-20 PLATED	4	
5#	22279	SCREW, SHS 1/2-20 X 2.50"	2	
6#	23956	CLEVIS, SERVICE	1	
7	42035	WIRE, ASSEMBLY, SMART CYL. PIGTAIL	1	

Go to Discount-Equipment.com to order your parts

HYDRAULIC HEAT EXCHANGER ASSY. (L-R)



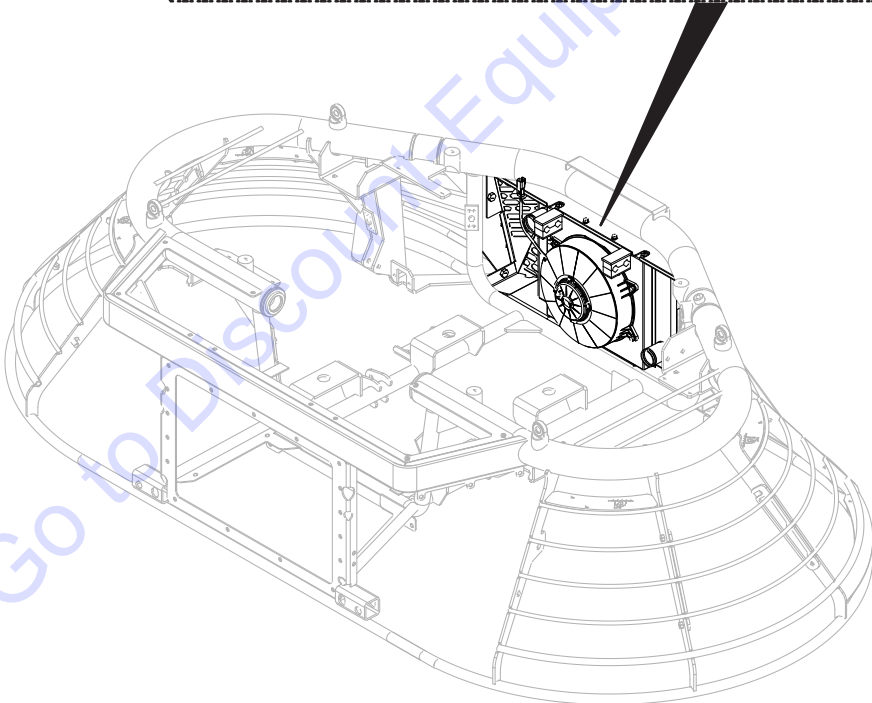
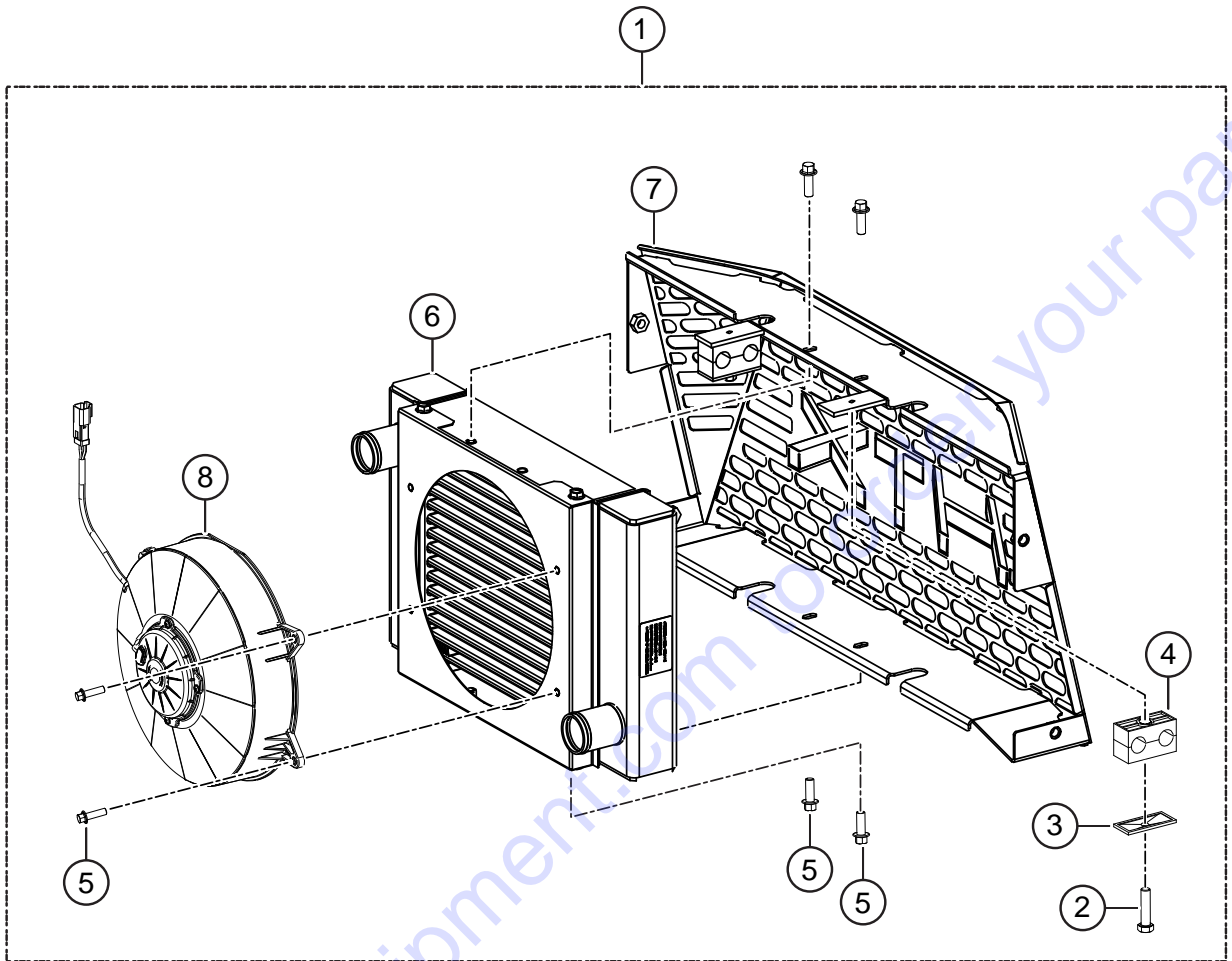
NOTE:

1 WELDED TO FRAME

HYDRAULIC HEAT EXCHANGER ASSY. (L-R)

<u>NO.</u>	<u>PART NO.</u>	<u>PART NAME</u>	<u>QTY.</u>	<u>REMARKS</u>
1	42542	SCREW HFS, ZP, M6-1.0 X 16	4	
2	42342	SCREW, HFS, ZP, M8-1.25 x 16, CLASS 8.8	8	
3	32083	CLAMP, LOOP-VINYL 1.0"DIA	2	
4	20440	NUT, HEX LOCK M8-1.25 THIN HHN	2	
5	22746	SENSOR, TEMPERATURE-HYD OIL	2	
6	32358	FITTING, 90 -10MORFS x -10MOR	2	
7	32718	FITTING, 90 8MORFS x 8MOR	2	
8	23802	NUT, HEX FLANGE M8-1.25 SERRATED	6	
9	42940	FITTING, 90 12MORFS X 10MOR	1	
10	42648	HEAT EXCHANGER, HYDRAULIC, TIER 4	2	
11	42939	FITTING, 45 10MORFS X 10MOR	1	
12	32342	FITTING, STR -10MORFS x -10MOR	2	
13	32721	FITTING, ORIFICE 8FORFS x 8MORFS x.094"	1	
14	42716	BRACKET, LOWER HYD. COOLER	2	
15	42648-1	FAN, HYDRAULIC HEAT EXCHANGER	2	

CHARGE AIR COOLER ASSY.

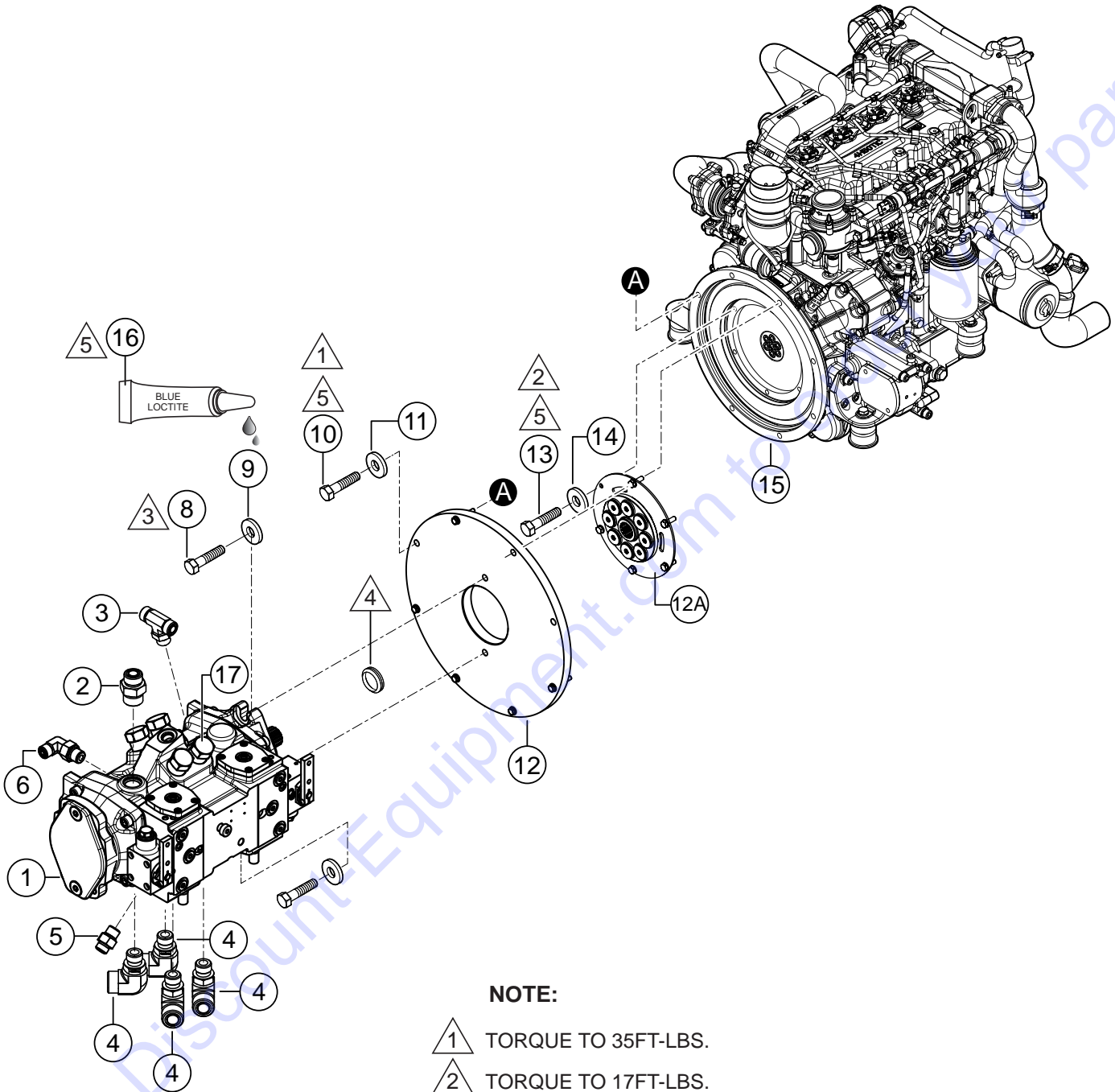


CHARGE AIR COOLER ASSY.

<u>NO.</u>	<u>PART NO.</u>	<u>PART NAME</u>	<u>QTY.</u>	<u>REMARKS</u>
1	42577	CHARGE AIR COOLER	1.....	INCLUDES ITEMS W#
2#	1207	SCREW, HHC 5/16-18 X 1 3/4"	2	
3#	20912	COVER, 0.75 OD TUBE STAUFF	2	
4#	20913	CLAMP, 0.75 OD TUBE STAUFF	2	
5#	42343	SCREW, HFS, ZP, M8-1.25 x 20, CLASS 8.8	8	
6#	42559	COOLER, HATZ 4H50TIC CHARGE AIR	1	
7#	42892	MOUNT, CHARGE AIR COOLER W/A,	1	
8#	42954	FAN, 10" PUSHER, AXIAL MOTOR	1	

Go to Discount-Equipment.com to order your parts

PUMP FITTINGS ASSY.



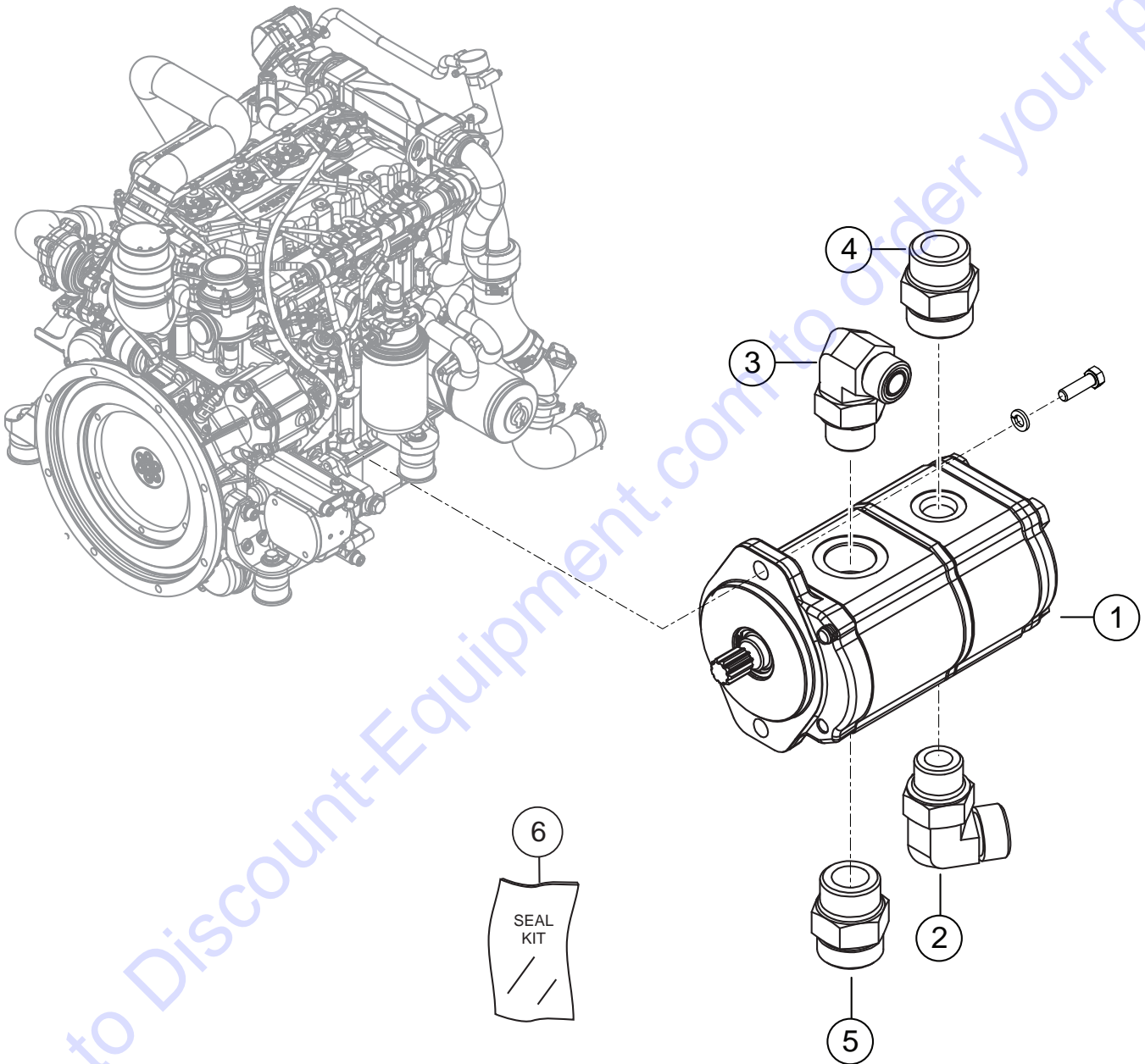
NOTE:

- 1** TORQUE TO 35FT-LBS.
- 2** TORQUE TO 17FT-LBS.
- 3** TORQUE TO 57FT-LBS. SET TORQUE WRENCH TO 47FT-LBS WHEN USING 3IN LONG EXTENSION AND A 14IN LONG TORQUE WRENCH (MEASURE BETWEEN SQUARE DRIVE AND CENTER OF HANDLE)
- 4** APPLY SEAL & GREASE SUPPLIED WITH ADAPTER TO SHAFT OF PUMP.
- 5** APPLY BLUE LOCTITE #242.

PUMP FITTINGS ASSY.

<u>NO.</u>	<u>PART NO.</u>	<u>PART NAME</u>	<u>QTY.</u>	<u>REMARKS</u>
1	42611	PUMP ASM, 45 CC, MECHANICAL, PISTON	1	
2	32357	FITTING, STR -10MORFS x -12MOR	1	
3	32713	FITTING, BRANCH TEE 8MORFS x 8MOR	1	
4	32363	FITTING, 90 12MOR x 10MORFS	4	
5	32730	FITTING, STR 6 MO X 4 MORFS	1	
6	32733	FITTING, 90 4MORFS X 6MOR	1	
8	5218	SCREW, HHC, 1/2-13 X 1-1/2"	2	
9	16630	WASHER, FLAT 1/2 SAE, HI STREN	2	
10	21854	SCREW, HHC, M10-1.5 X .312	8	
11	940358	WASHER, FLAT, 10MM ID X 20MM OD	8	
12	42628	ADAPTOR, 14T SAE 5 PUMP	1	
12A	42628-1	COUPLER, REX-ROTH, PUMP	1	
13	1605	SCREW, HHC, M8-1.25 X 25MM	6	
14	25591	WASHER, M8	6	
15	42602	ENGINE, HATZ	1	
16	1477	LOCTITE, #242, BLUE, 0.5CC BOTTLE	AR	
17	42611-1	VALVE, PRES. RELIEF, 300 BAR, HTX6H-STX6H	2	

FIXED PUMP FITTINGS ASSY.

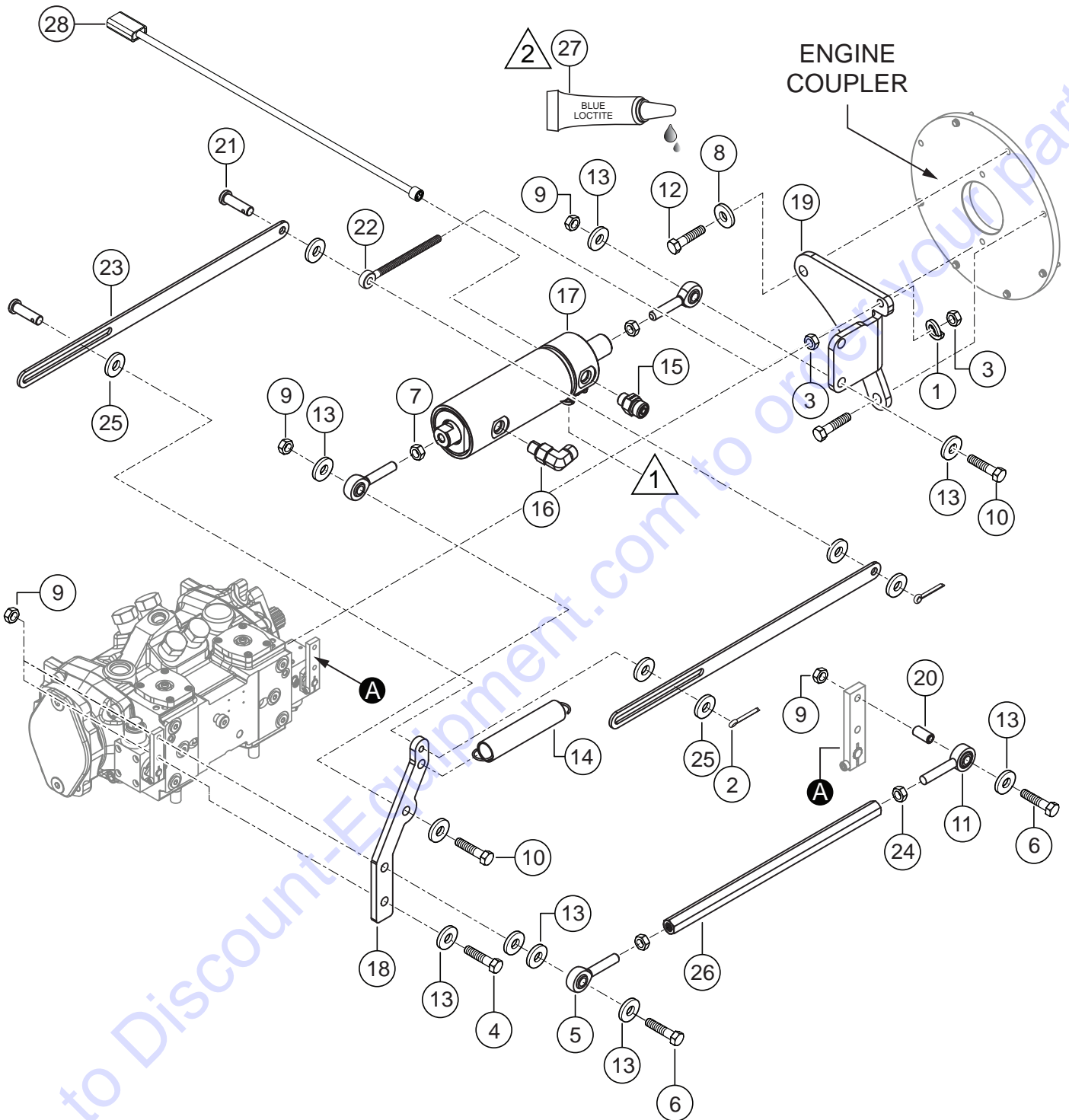


FIXED PUMP FITTINGS ASSY.

<u>NO.</u>	<u>PART NO.</u>	<u>PART NAME</u>	<u>QTY.</u>	<u>REMARKS</u>
1	42612	PUMP, FIXED 19 CC/8 CC GEAR CHARGE	1	
2	32362	FITTING, 90° 12MOR x 12 MORFS	1	
3	32712	FITTING, 90° 8MORFS x 12MOR	1	
4	32716	FITTING, STR 6MORFS x 8MOR	1	
5	32742	FITTING, STR 16MORFS X 16MOR	1	
6	42612-1	KIT, SEAL	1	

Go to Discount-Equipment.com to order your parts

PUMP LEVERS ASSY.



NOTE:

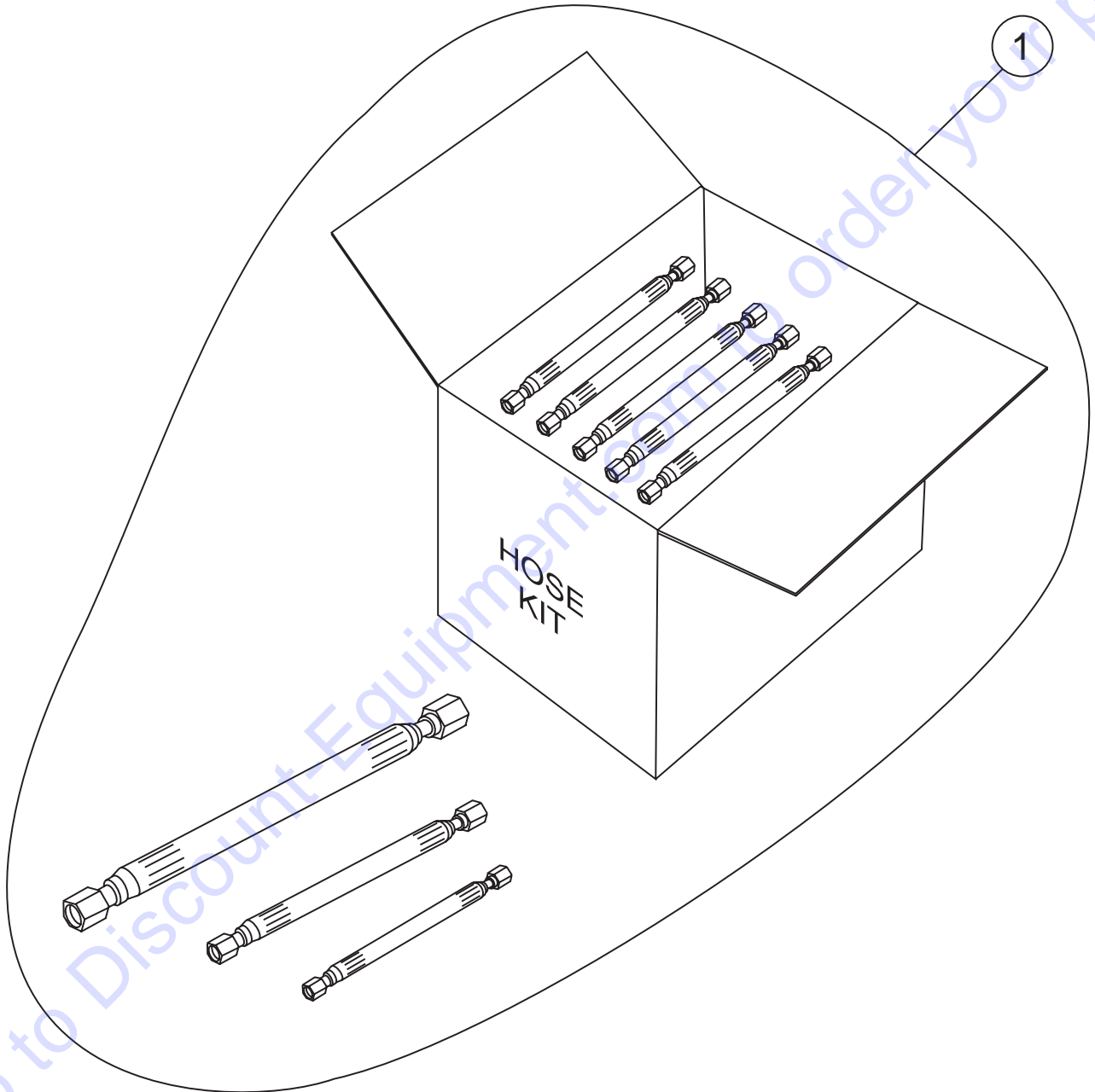
1 CONNECTS TO WIRING HARNESS.

2 APPLY BLUE LOCTITE #242.

PUMP LEVERS ASSY.

<u>NO.</u>	<u>PART NO.</u>	<u>PART NAME</u>	<u>QTY.</u>	<u>REMARKS</u>
1	0181 B	WASHER, LOCK 1/4 MED	1	
2	0683	PIN, COTTER 3/32" D x 3/4"	2	
3	0949	NUT, HEX FINISH 1/4-20 PLATED	2	
4	1605	SCREW, HHC M8-1.25 X 25MM	1	
5	1723	ROD END, 5/16-24 MALE RH	3	
6	1928	SCREW, HHC M8-1.25 X 40MM	2	
7	6014 C	NUT, HEX FINISH 5/16-24	3	
8	17110	WASHER, FLAT 10MM ZN	6	
9	20440	NUT, HEX LOCK M8-1.25 THIN	2	
10	20983	SCREW, HHC M8-1.25 X 30 MM	2	
11	21262	ROD END 5/16-24 X .312 MALE LH-HD	1	
12	21584	SCREW, HHC M10-1.5 X 35MM GR 10.9	1	
13	25591	WASHER, M8	7	
14	22716	SPRING,EXT .75" OD x 4.5" x .062"	1	
15	32340	FITTING, STR -4MORFS x -4MOR	1	
16	32347	FITTING, 90° 4MORFS x 4MOR	1	
17	32674	CYLINDER, PUMP STROKING	1	
18	42620	ARM, SWASH PLATE, REXROTH PUMP	1	
19	42622	BOLT PLATE, CYLINDER, REXROTH - HATZ	1	
20	34810	SPACER, .32 I.D. X .41 O.D. X .44L	1	
21	42835	PIN, STROKE STOP CLEVIS	2	
22	42836	RODEND, STROKE STOP	1	
23	42837	STRAP, STROKE STOP	2	
24	8131	NUT, FINISH, LH, 5/16-24	1	
25	42840	WASHER, NYLON, 1/4 X 0.5 OD	5	
26	42895	ROD, STROKE LEVER CONNECTION, T4	1	
27	1477	LOCTITE, #242, BLUE, 0.5CC BOTTLE	AR	
28	42035	WIRE, ASSEMBLY, SMART CYL. PIGTAIL	1	

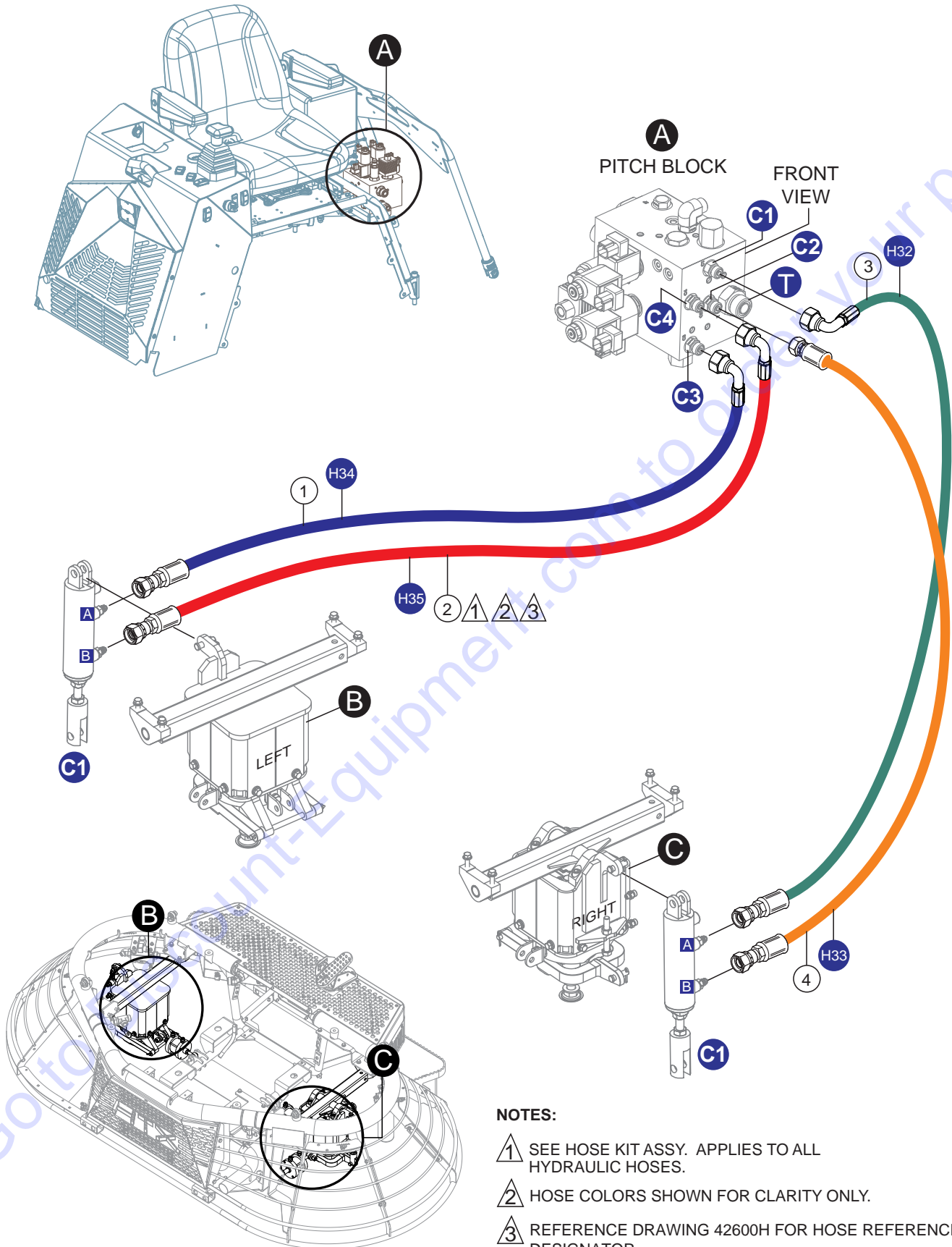
HYDRAULIC HOSE KIT ASSY. COMPLETE



HYDRAULIC HOSE KIT ASSY. COMPLETE

<u>NO.</u>	<u>PART NO.</u>	<u>PART NAME</u>	<u>QTY.</u>	<u>REMARKS</u>
1	42764	HOSE KIT ASSY.....	1.....	INCLUDES ITEMS BELOW
	42844	HOSE ASSY., 5/8"x39.5 10FFORX90Sx10FFORX 5.....	1.....	HOSE 1
	42844	HOSE ASSY., 5/8"x39.5 10FFORX90Sx10FFORX 5.....	1.....	HOSE 2
	42845	HOSE ASSY., 5/8"x27.75 10FFORX90Sx10FFORX.....	3.....	HOSE 3
	42846	HOSE ASSY., 5/8"x57.5 10FFORXx10FFORX.....	1.....	HOSE 4
	42847	HOSE ASSY., 5/8"x16.5 10FFORXx10FFORX.....	1.....	HOSE 5
	42848	HOSE ASSY., 5/8"x14.875 10FFORX90Sx10FFORX.....	1.....	HOSE 6
	42849	HOSE ASSY., 1/2"x45.25 8FFORXx8FFORX.....	1.....	HOSE 7
	42850	HOSE ASSY., 5/8"x30.25 10FFORX90Sx10FFORX.....	1.....	HOSE 8
	42851	HOSE ASSY., 3/4"x29 12FFORXx12FFORX90S.....	1.....	HOSE 9
	42852	HOSE ASSY., 1"x32.5 16FFORXx16FFORX90S.....	1.....	HOSE 10
	42853	HOSE ASSY., 3/4"x20 12FFORX90Sx12FFORX.....	1.....	HOSE 11
	42854	HOSE ASSY., 1/2"x34 8FFORXx8FFORX45S.....	1.....	HOSE 12
	42855	HOSE ASSY., 1/2"x18.5 8FFORXx8FFORX.....	1.....	HOSE 13
	42856	HOSE ASSY., 3/8"x54.25 6FFORX90Sx6FFORX.....	1.....	HOSE 14
	42857	HOSE ASSY., 1/2"x16.5 8FFORX90Sx8FFORX.....	1.....	HOSE 15
	42858	HOSE ASSY., 1/2"x 28 8FFORXx8FFORX.....	1.....	HOSE 16
	42859	HOSE ASSY., 1/2"x 30 8FFORX90Sx8FFORX.....	1.....	HOSE 17
	42860	HOSE ASSY., 1/4"x37.5 4FFORX90Sx4FFORX 5K.....	1.....	HOSE 18
	42861	HOSE ASSY., 3/8"x20.125 6FFORXx6FFORX.....	1.....	HOSE 19
	42862	HOSE ASSY., 1/4"x47.5 4FFORXx4FFORX90S.....	1.....	HOSE 20
	42863	HOSE ASSY., 1/4"x30.75 4FFORXx4FFORX90S.....	1.....	HOSE 21
	42864	HOSE ASSY., 3/8"x109 6FFORX90Sx6FFORX.....	1.....	HOSE 22
	42864	HOSE ASSY., 3/8"x109 6FFORX90Sx6FFORX.....	1.....	HOSE 24
	42865	HOSE ASSY., 3/8"x60.375 6FFORXx6FFORX.....	1.....	HOSE 23
	42867	HOSE ASSY., 3/8"x58.5 6FFORXx6FFORX.....	1.....	HOSE 25
	42867	HOSE ASSY., 3/8"x58.5 6FFORXx6FFORX.....	1.....	HOSE 27
	42868	HOSE ASSY., 3/8"x57.5 6FFORX90Sx6FFORX.....	1.....	HOSE 26
	42870	HOSE ASSY., 3/8"x52.75 6FFORXx6FFORX.....	1.....	HOSE 28
	42871	HOSE ASSY., 3/8"x55.5 6FFORX90Sx6FFORX.....	1.....	HOSE 29
	42872	HOSE ASSY., 3/8"x53 6FFORXx6FFORX.....	1.....	HOSE 30
	42873	HOSE ASSY., 3/8"x52.125 6FFORXx6FFORX.....	1.....	HOSE 31
	42874	HOSE ASSY., 1/4"x40.5 4FFORX90Sx4FFORX.....	1.....	HOSE 32
	42875	HOSE ASSY., 1/4"x44.25 4FFORXx4FFORX.....	1.....	HOSE 33
	42876	HOSE ASSY., 1/4"x88.875 4FFORX90Sx4FFORX.....	1.....	HOSE 34
	42877	HOSE ASSY., 1/4"x89.25 4FFORX90Sx4FFORX.....	1.....	HOSE 35
	42878	HOSE ASSY., 3/8"x17.5 6FFORX90Sx6FFORX.....	1.....	HOSE 36
	42879	HOSE ASSY., 3/4"x18.5 12FFORXx12FFORX.....	1.....	HOSE 37
	42880	HOSE ASSY., 1/4"x21.75 4FFORXx4FFORX.....	1.....	HOSE 38
	42881	HOSE ASSY., 3/4"x14.625 12FFORXx12FFORX90S.....	1.....	HOSE 39
	42882	HOSE ASSY., 1/4"x49.38 4FFORX90Sx4FFORX 5K.....	1.....	HOSE 40
	42883	HOSE ASSY., 1/4"x41.75 4FFORX90Sx4FFORX 5K.....	1.....	HOSE 41
	42884	HOSE ASSY., 1/4"x31.75 4FFORX90Sx4FFORX 5K.....	1.....	HOSE 42
	42885	HOSE ASSY., 1/4"x26.25 4FFORXx4FFORX90S.....	1.....	HOSE 43

HYD. HOSE ASSY. (P. BLOCK PORTS C1 ~C4)



NOTES:

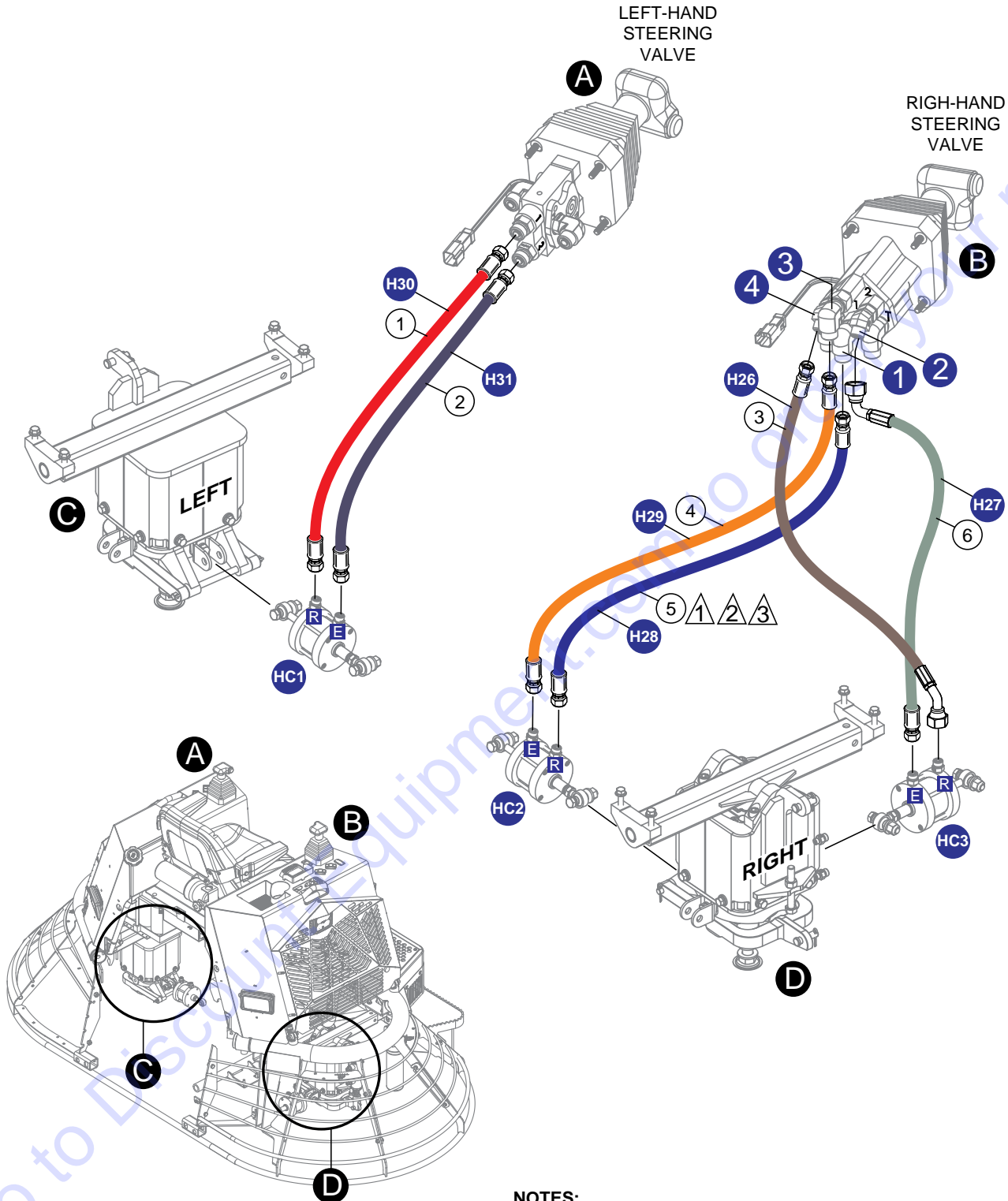
- ① SEE HOSE KIT ASSY. APPLIES TO ALL HYDRAULIC HOSES.
- ② HOSE COLORS SHOWN FOR CLARITY ONLY.
- ③ REFERENCE DRAWING 42600H FOR HOSE REFERENCE DESIGNATOR.

HYD. HOSE ASSY. (P. BLOCK PORTS C1 ~C4)

<u>NO.</u>	<u>PART NO.</u>	<u>PART NAME</u>	<u>QTY.</u>	<u>REMARKS</u>
1	42876	HOSE ASSY., 1/4"x88.875 4FFORX90Sx4FFORX.....	1.....	HOSE 34
2	42877	HOSE ASSY., 1/4"x89.25 4FFORX90Sx4FFORX.....	1.....	HOSE 35
3	42874	HOSE ASSY., 1/4"x40.5 4FFORX90Sx4FFORX.....	1.....	HOSE 32
4	42875	HOSE ASSY., 1/4"x44.25 4FFORXx4FFORX	1.....	HOSE 33

Go to Discount-Equipment.com to order your parts

HYD. HOSE ASSY. (LH-RH STEERING VALVES #1)



NOTES:

- ① SEE HOSE KIT ASSY. APPLIES TO ALL HYDRAULIC HOSES.
- ② HOSE COLORS SHOWN FOR CLARITY ONLY.
- ③ REFERENCE DRAWING 42600H FOR HOSE REFERENCE DESIGNATOR.

HYD. HOSE ASSY. (LH-RH STEERING VALVES #1)

<u>NO.</u>	<u>PART NO.</u>	<u>PART NAME</u>	<u>QTY.</u>	<u>REMARKS</u>
1	42872	HOSE ASSY., 3/8"x53 6FFORXx6FFORX	1.....	HOSE 30
2	42873	HOSE ASSY., 3/8"x52.125 6FFORXx6FFORX	1.....	HOSE 31
3	42868	HOSE ASSY., 3/8"x57.5 6FFORX90Sx6FFORX.....	1.....	HOSE 26
4	42871	HOSE ASSY., 3/8"x55.5 6FFORX90Sx6FFORX.....	1.....	HOSE 29
5	42870	HOSE ASSY., 3/8"x52.75 6FFORXx6FFORX	1.....	HOSE 28
6	42867	HOSE ASSY., 3/8"x58.5 6FFORXx6FFORX	1.....	HOSE 27

Go to Discount-Equipment.com to order your parts

PARTS FINDER

**Search Website
by Part Number**



**Search Manual
Library For Parts
Manual & Lookup Part
Numbers – Purchase
or Request Quote**

Search Manuals

Enter your information to help us find the right parts manual for your machine.

* Brand:

* Model:

* Serial:

* Part Number:

SEARCH

**Can't Find Part or
Manual? Request Help
by Manufacturer,
Model & Description**

Parts Order Form

Please fill in the following information to help us find the right part for your machine.

Manufacturer:	<input type="text"/>
Model:	<input type="text"/>
Description:	<input type="text"/>
Part Number:	<input type="text"/>
Quantity:	<input type="text"/>
Notes:	<input type="text"/>

Discount-Equipment.com is your online resource for quality parts & equipment.

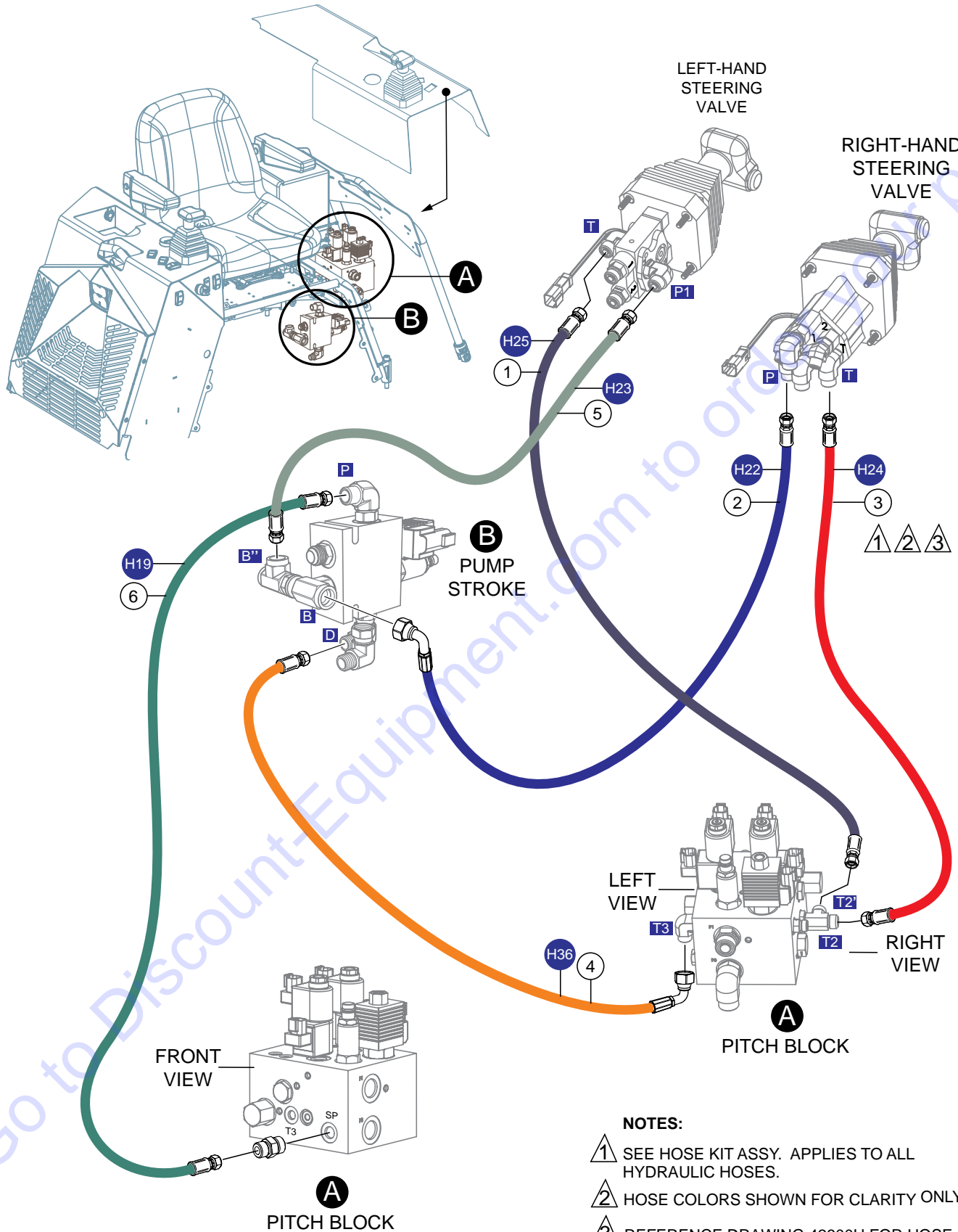
Florida: **561-964-4949** Outside Florida TOLL FREE: **877-690-3101**

Need parts?

Click on this link: <http://www.discount-equipment.com/category/5443-parts/> and choose one of the options to help get the right parts and equipment you are looking for. Please have the machine model and serial number available in order to help us get you the correct parts. If you don't find the part on the website or on one of the online manuals, please fill out the request form and one of our experienced staff members will get back to you with a quote for the right part that your machine needs.

We sell worldwide for the brands: Genie, Terex, JLG, MultiQuip, Mikasa, Essick, Whiteman, Mayco, Toro Stone, Diamond Products, Generac Magnum, Airman, Haulotte, Barreto, Power Blanket, Nifty Lift, Atlas Copco, Chicago Pneumatic, Allmand, Miller Curber, Skyjack, Lull, Skytrak, Tsurumi, Husquvarna Target, Stow, Wacker, Sakai, Mi-T-M, Sullair, Basic, Dynapac, MBW, Weber, Bartell, Bennar Newman, Haulotte, Ditch Runner, Menegotti, Morrison, Contec, Buddy, Crown, Edco, Wyco, Bomag, Laymor, EZ Trench, Bil-Jax, F.S. Curtis, Gehl Pavers, Heli, Honda, ICS/PowerGrit, IHI, Partner, Imer, Clipper, MMD, Koshin, Rice, CH&E, General Equipment, Amida, Coleman, NAC, Gradall, Square Shooter, Kent, Stanley, Tamco, Toku, Hatz, Kohler, Robin, Wisconsin, Northrock, Oztec, Toker TK, Rol-Air, APT, Wylie, Ingersoll Rand / Doosan, Innovatech, Con X, Ammann, Mecalac, Makinex, Smith Surface Prep, Small Line, Wanco, Yanmar

HYD. HOSE ASSY. (LH-RH STEERING VALVES #2)



- NOTES:**
- ① SEE HOSE KIT ASSY. APPLIES TO ALL HYDRAULIC HOSES.
 - ② HOSE COLORS SHOWN FOR CLARITY ONLY.
 - ③ REFERENCE DRAWING 42600H FOR HOSE REFERENCE DESIGNATOR.

HYD. HOSE ASSY. (LH-RH STEERING VALVES #2)

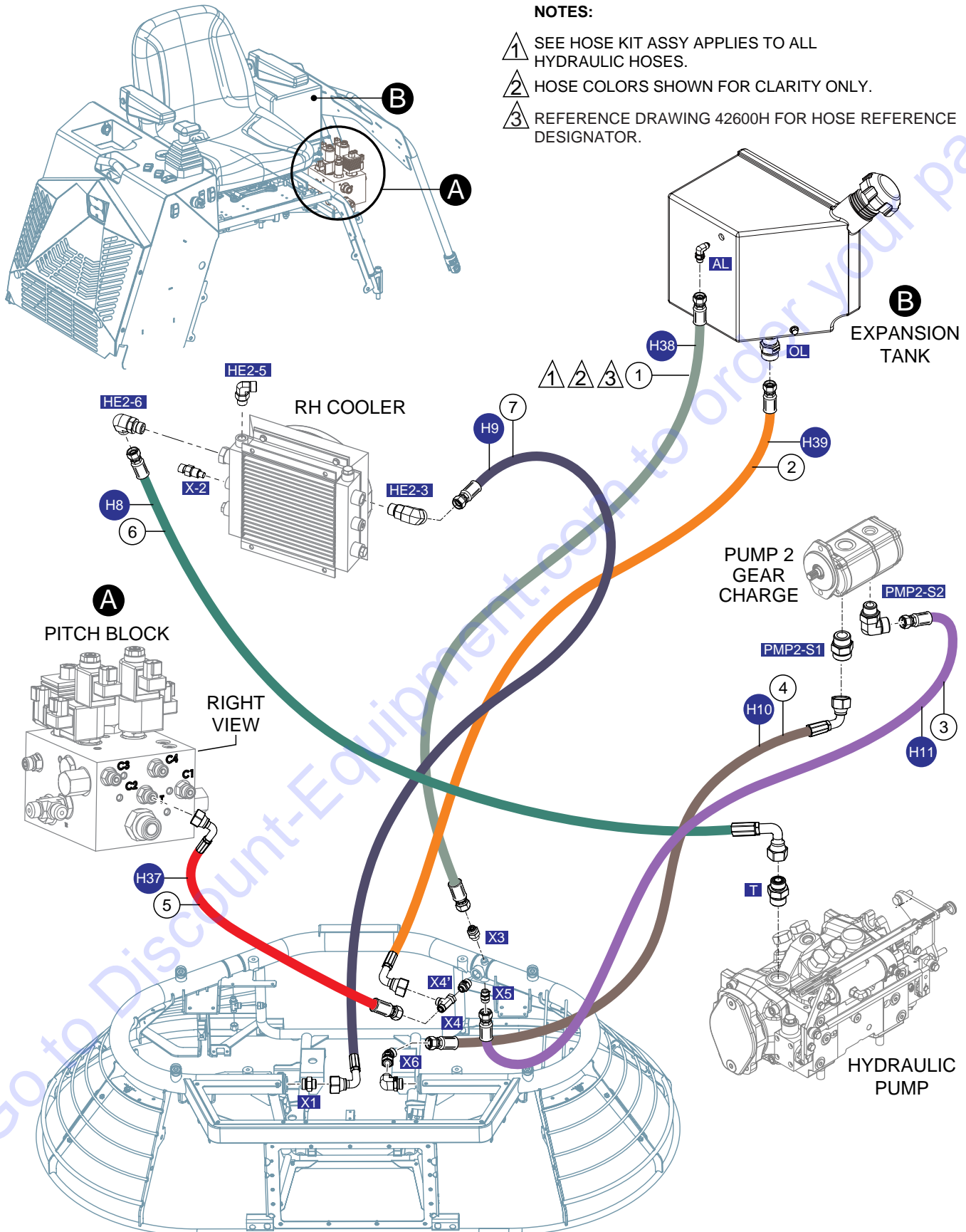
<u>NO.</u>	<u>PART NO.</u>	<u>PART NAME</u>	<u>QTY.</u>	<u>REMARKS</u>
1	42867	HOSE ASSY., 3/8"x58.5 6FFORXx6FFORX	1.....	HOSE 25
2	42864	HOSE ASSY., 3/8"x109 6FFORX90Sx6FFORX.....	1.....	HOSE 22
3	42864	HOSE ASSY., 3/8"x109 6FFORX90Sx6FFORX.....	1.....	HOSE 24
4	42878	HOSE ASSY., 3/8"x17.5 6FFORX90Sx6FFORX.....	1.....	HOSE 36
5	42865	HOSE ASSY., 3/8"x60.375 6FFORXx6FFORX	1.....	HOSE 23

Go to Discount-Equipment.com to order your parts

HYD. HOSE ASSY. (P. BLOCK/FRAME/TANK/PUMP)

NOTES:

- ① SEE HOSE KIT ASSY APPLIES TO ALL HYDRAULIC HOSES.
- ② HOSE COLORS SHOWN FOR CLARITY ONLY.
- ③ REFERENCE DRAWING 42600H FOR HOSE REFERENCE DESIGNATOR.



HYD. HOSE ASSY. (P. BLOCK/FRAME/TANK/PUMP)

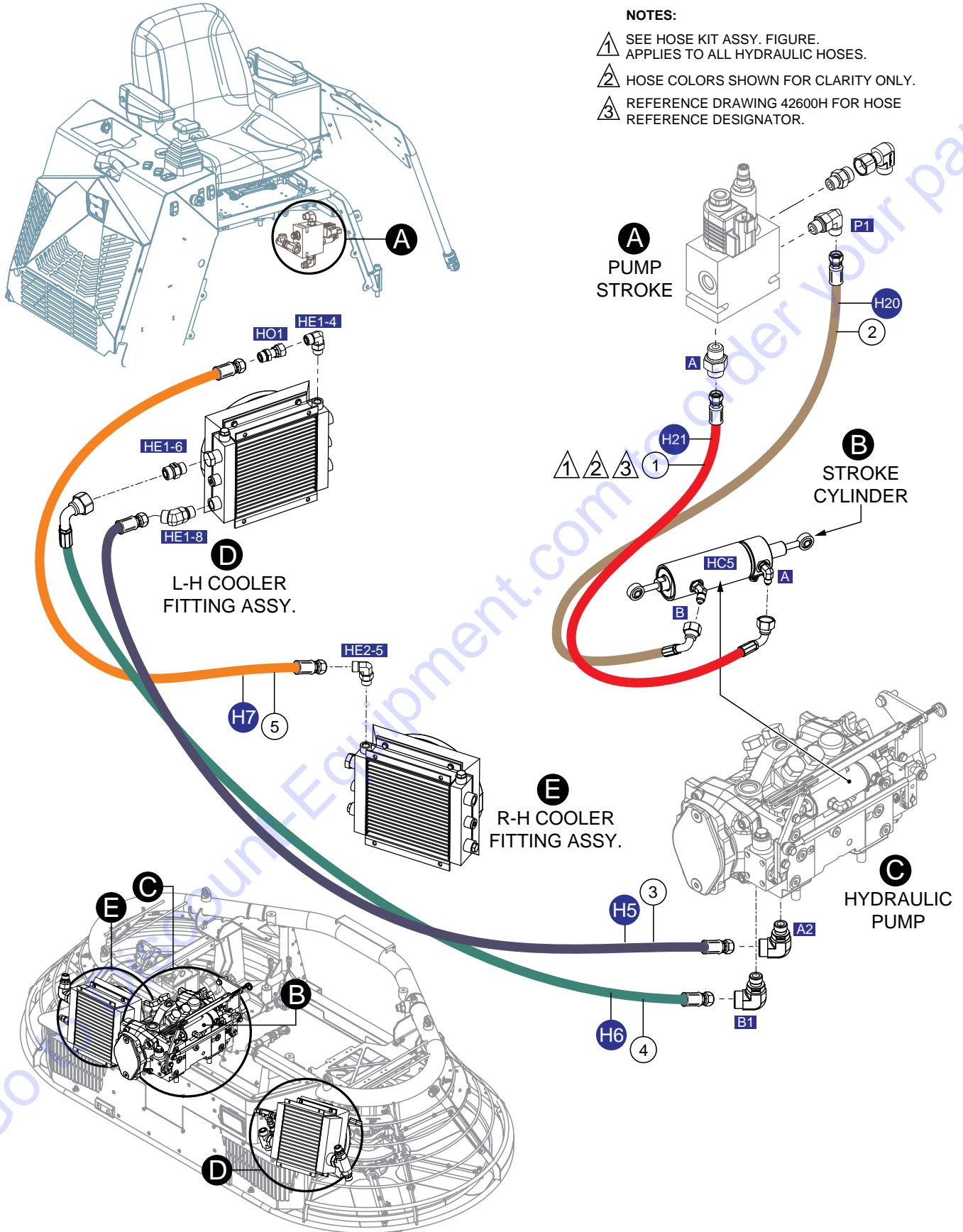
<u>NO.</u>	<u>PART NO.</u>	<u>PART NAME</u>	<u>QTY.</u>	<u>REMARKS</u>
1	42880	HOSE ASSY., 1/4"x21.75 4FFORXx4FFORX	1.....	HOSE 38
2	42881	HOSE ASSY., 3/4"x14.625 12FFORXx12FFORX90S.....	1.....	HOSE 39
3	42850	HOSE ASSY., 5/8"x30.25 10FFORX90Sx10FFORX.....	1.....	HOSE 8
4	42851	HOSE ASSY., 3/4"x29 12FFORXx12FFORX90S.....	1.....	HOSE 9
5	42852	HOSE ASSY., 1"x32.5 16FFORXx16FFORX90S.....	1.....	HOSE 10
6	42879	HOSE ASSY., 3/4"x18.5 12FFORXx12FFORX	1.....	HOSE 37
7	42853	HOSE ASSY., 3/4"x20 12FFORX90Sx12FFORX.....	1.....	HOSE 11

Go to Discount-Equipment.com to order your parts

HYD. HOSE ASSY. (P. BLOCK/COOLER/PUMP)

NOTES:

- ⚠️ SEE HOSE KIT ASSY. FIGURE. APPLIES TO ALL HYDRAULIC HOSES.
- ⚠️ HOSE COLORS SHOWN FOR CLARITY ONLY.
- ⚠️ REFERENCE DRAWING 42600H FOR HOSE REFERENCE DESIGNATOR.



HYD. HOSE ASSY. (P. BLOCK/COOLER/PUMP)

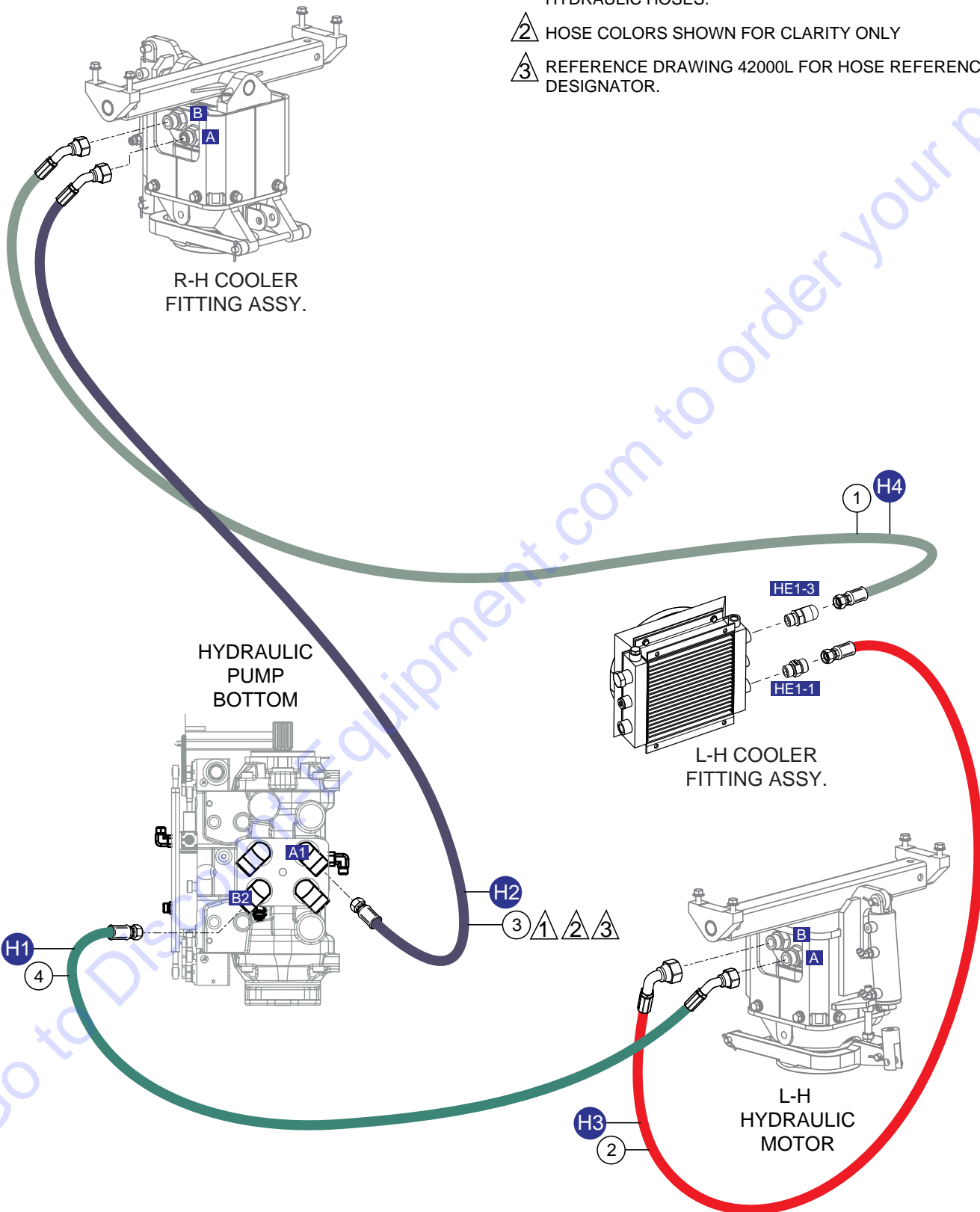
<u>NO.</u>	<u>PART NO.</u>	<u>PART NAME</u>	<u>QTY.</u>	<u>REMARKS</u>
1	42847	HOSE ASSY., 5/8"x16.5 10FFORXx10FFORX	1.....	HOSE 5
2	42863	HOSE ASSY., 1/4"x30.75 4FFORXx4FFORX90S.....	1.....	HOSE 21
3	42862	HOSE ASSY., 1/4"x47.5 4FFORXx4FFORX90S.....	1.....	HOSE 20
4	42848	HOSE ASSY., 5/8"x14.875 10FFORX90Sx10FFORX.....	1.....	HOSE 6
5	42849	HOSE ASSY., 1/2"x45.25 8FFORXx8FFORX	1.....	HOSE 7

Go to Discount-Equipment.com to order your parts

HYD. HOSE ASSY. (COOLER/MOTORS/PUMP)

NOTES:

- ① SEE HOSE KIT ASSY APPLIES TO ALL HYDRAULIC HOSES.
- ② HOSE COLORS SHOWN FOR CLARITY ONLY
- ③ REFERENCE DRAWING 42000L FOR HOSE REFERENCE DESIGNATOR.

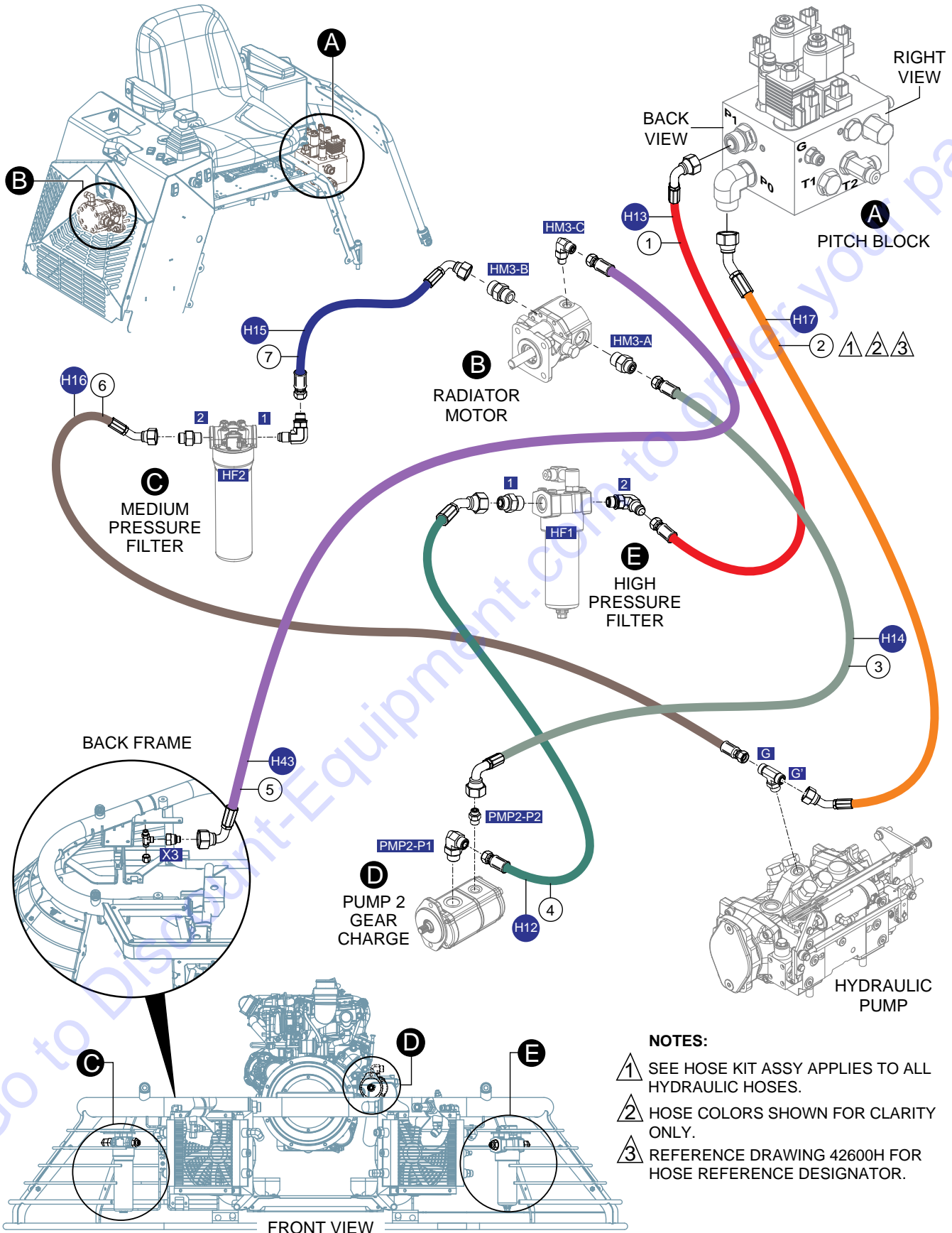


HYD. HOSE ASSY. (COOLER/MOTORS/PUMP)

<u>NO.</u>	<u>PART NO.</u>	<u>PART NAME</u>	<u>QTY.</u>	<u>REMARKS</u>
1	42845	HOSE ASSY., 5/8"x27.75 10FFORX90Sx10FFORX.....	1.....	HOSE 3
2	42844	HOSE ASSY., 5/8"x39.5 10FFORX90Sx10FFORX 5.....	1.....	HOSE 1
3	42844	HOSE ASSY., 5/8"x39.5 10FFORX90Sx10FFORX 5.....	1.....	HOSE 2
4	42846	HOSE ASSY., 5/8"x57.5 10FFORXx10FFORX	1.....	HOSE 4

Go to Discount-Equipment.com to order your parts

HYD. HOSE ASSY. (P. BLOCK/P. STROKER/PUMP/FILTER)



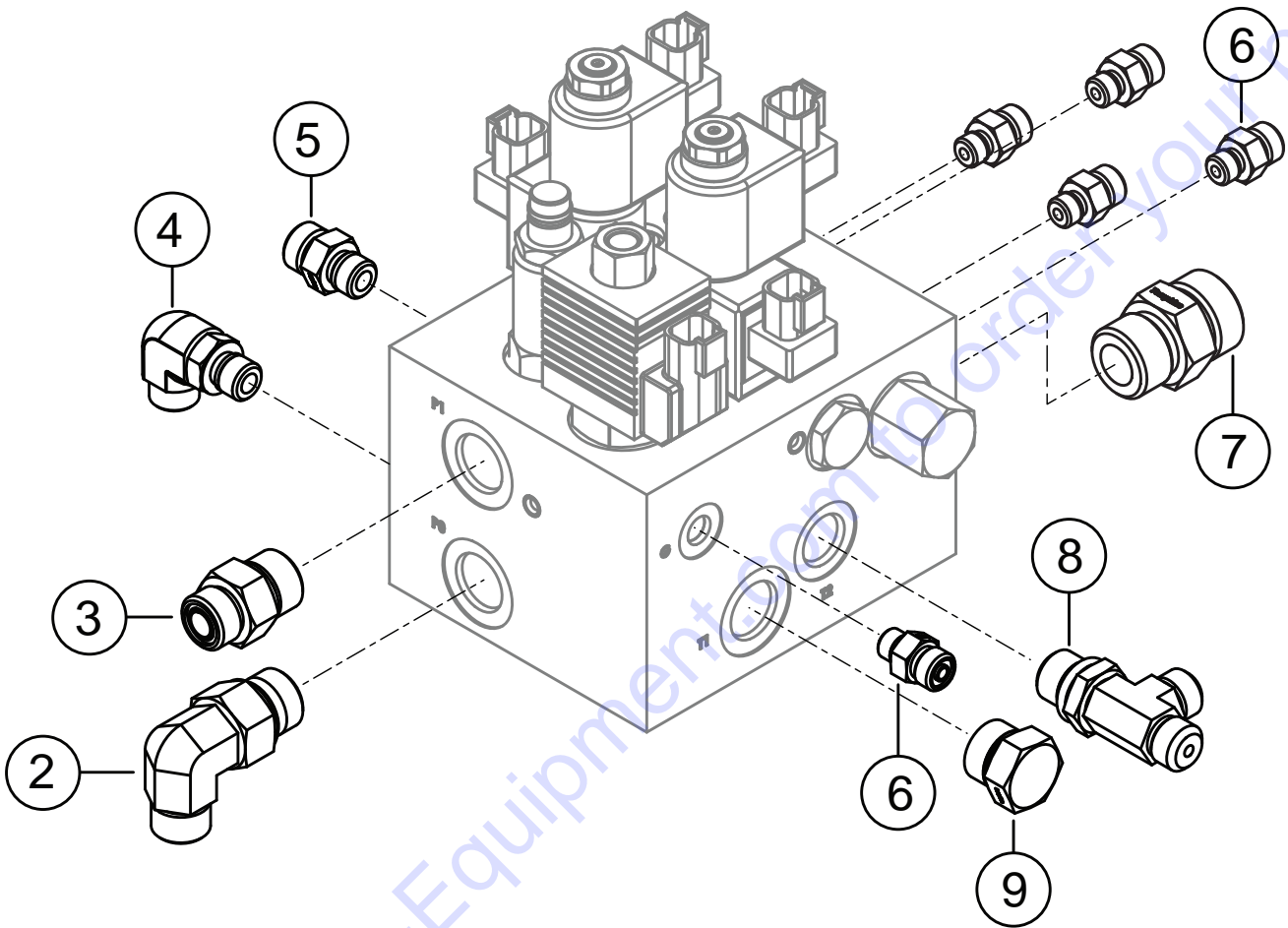
- NOTES:**
- ① SEE HOSE KIT ASSY APPLIES TO ALL HYDRAULIC HOSES.
 - ② HOSE COLORS SHOWN FOR CLARITY ONLY.
 - ③ REFERENCE DRAWING 42600H FOR HOSE REFERENCE DESIGNATOR.

HYD. HOSE ASSY. (P. BLOCK/P. STROKER/PUMP/FILTER)

<u>NO.</u>	<u>PART NO.</u>	<u>PART NAME</u>	<u>QTY.</u>	<u>REMARKS</u>
1	42855	HOSE ASSY., 1/2"x18.5 8FFORXx8FFORX	1.....	HOSE 13
2	42859	HOSE ASSY., 1/2"x 30 8FFORX90Sx8FFORX.....	1.....	HOSE 17
3	42861	HOSE ASSY., 3/8"x20.125 6FFORXx6FFORX	1.....	HOSE 19
4	42854	HOSE ASSY., 1/2"x34 8FFORXx8FFORX45S.....	1.....	HOSE 12
5	42857	HOSE ASSY., 1/2"x16.5 8FFORX90Sx8FFORX.....	1.....	HOSE 15
6	42856	HOSE ASSY., 3/8"x54.25 6FFORX90Sx6FFORX.....	1.....	HOSE 14
7	42858	HOSE ASSY., 1/2"x 28 8FFORXx8FFORX	1.....	HOSE 16
8	42885	HOSE ASSY., 1/4"x26.25 4FFORXx4FFORX90S.....	1.....	HOSE 43

Go to Discount-Equipment.com to order your parts

PITCH BLOCK ASSY. (FITTINGS)

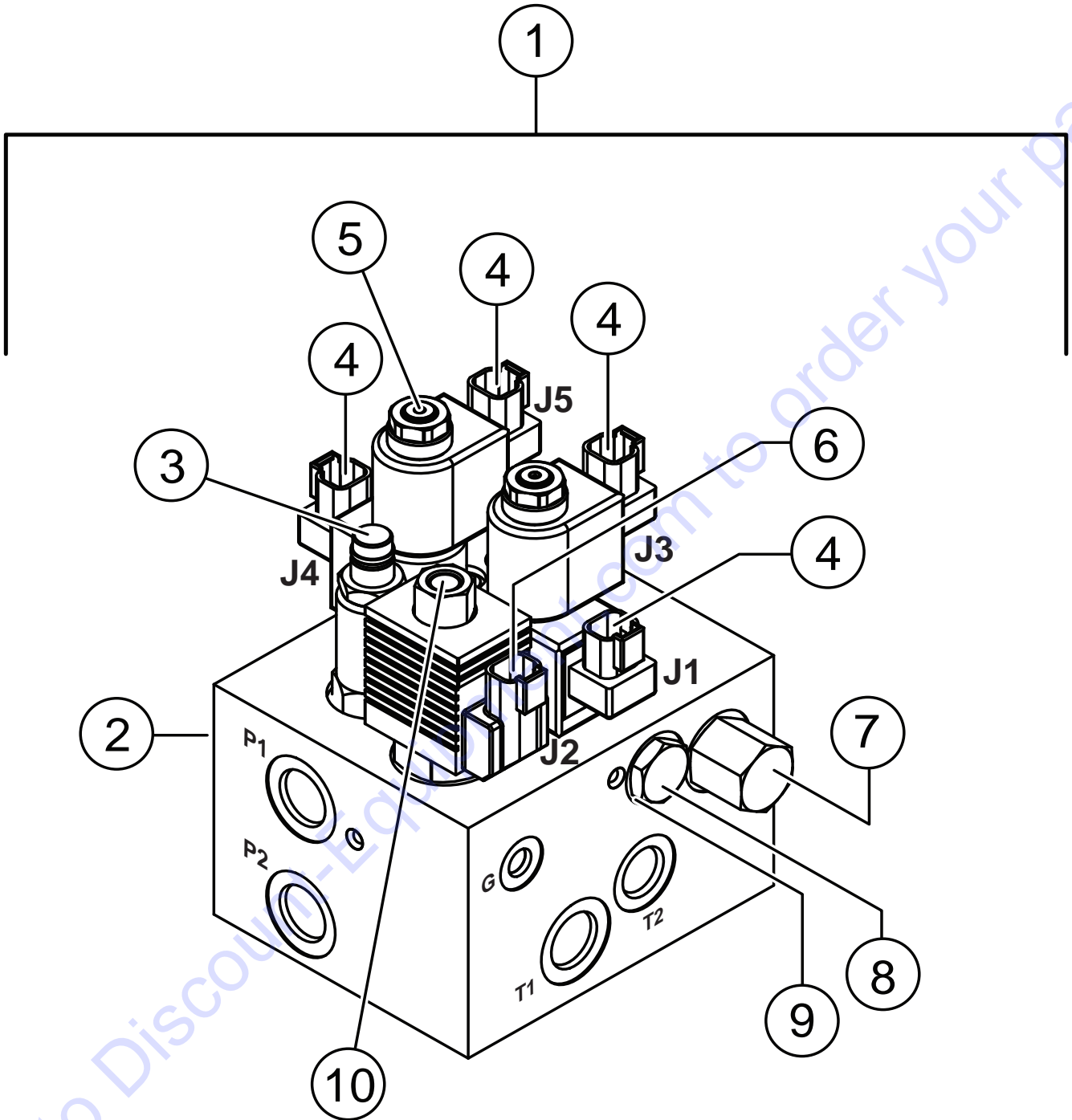


PITCH BLOCK ASSY. (FITTINGS)

<u>NO.</u>	<u>PART NO.</u>	<u>PART NAME</u>	<u>QTY.</u>	<u>REMARKS</u>
2	32722	FITTING, 90 8MORFS x 10MOR	1	
3	42941	FITTING, STR 8MORFS X 10MOR	1	
4	32354	FITTING, 90 -6MORFS x -6MOR	1	
5	32341	FITTING, STR -6MORFS x -6MOR	1	
6	32340	FITTING, STR -4MORFS x -4MOR	5	
7	32343	FITTING, STR -12MORFS x -12MOR	1	
8	32351	FITTING, TEE 6MORFSx8MOR	1	
9	32468	FITTING, PLUG - ORING - 10	1	

Go to Discount-Equipment.com to order your parts

PITCH BLOCK ASSY. (VALVES)

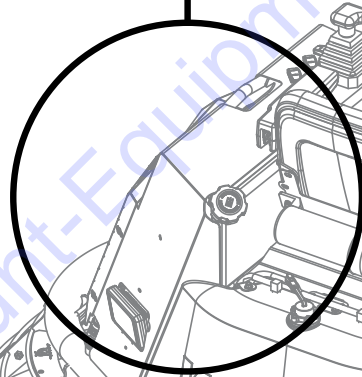
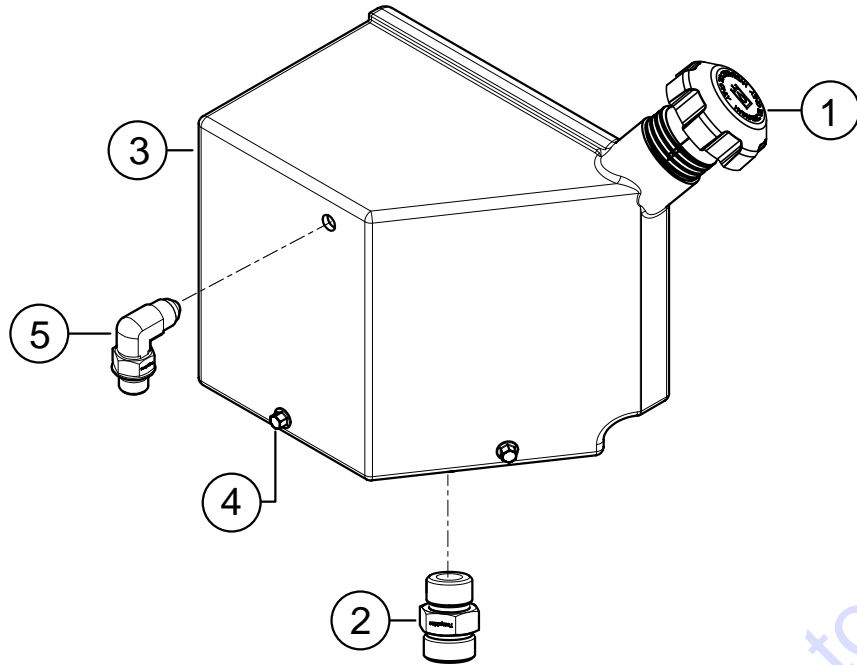


PITCH BLOCK ASSY. (VALVES)

<u>NO.</u>	<u>PART NO.</u>	<u>PART NAME</u>	<u>QTY.</u>	<u>REMARKS</u>
1	22233	PITCH BLOCK W/ VALVES.....	1.....	INCLUDES ITEMS W/\$
2\$		BODY	1.....	NOT SERVICED SEPARATELY
3\$	22233-7	RELIEF VALVE	1	
4\$	22233-4	SOLENOID, PITCH VALVE	4	
5\$	22233-3	PITCH VALVE	2	
6\$	22233-2	SOLENOID, BYPASS VALVE	1	
7\$	22233-6	FLOW CONTROL VALVE	2	
8\$		PISTON.....	2.....	NOT SERVICED SEPARATELY
9\$	22233-5	CHECK VALVE	2	
10\$	22233-1	BYPASS VALVE CARTRIDGE	1	

Go to Discount-Equipment.com to order your parts

HYDRAULIC OIL EXPANSION TANK ASSY.



HYDRAULIC OIL EXPANSION TANK ASSY.

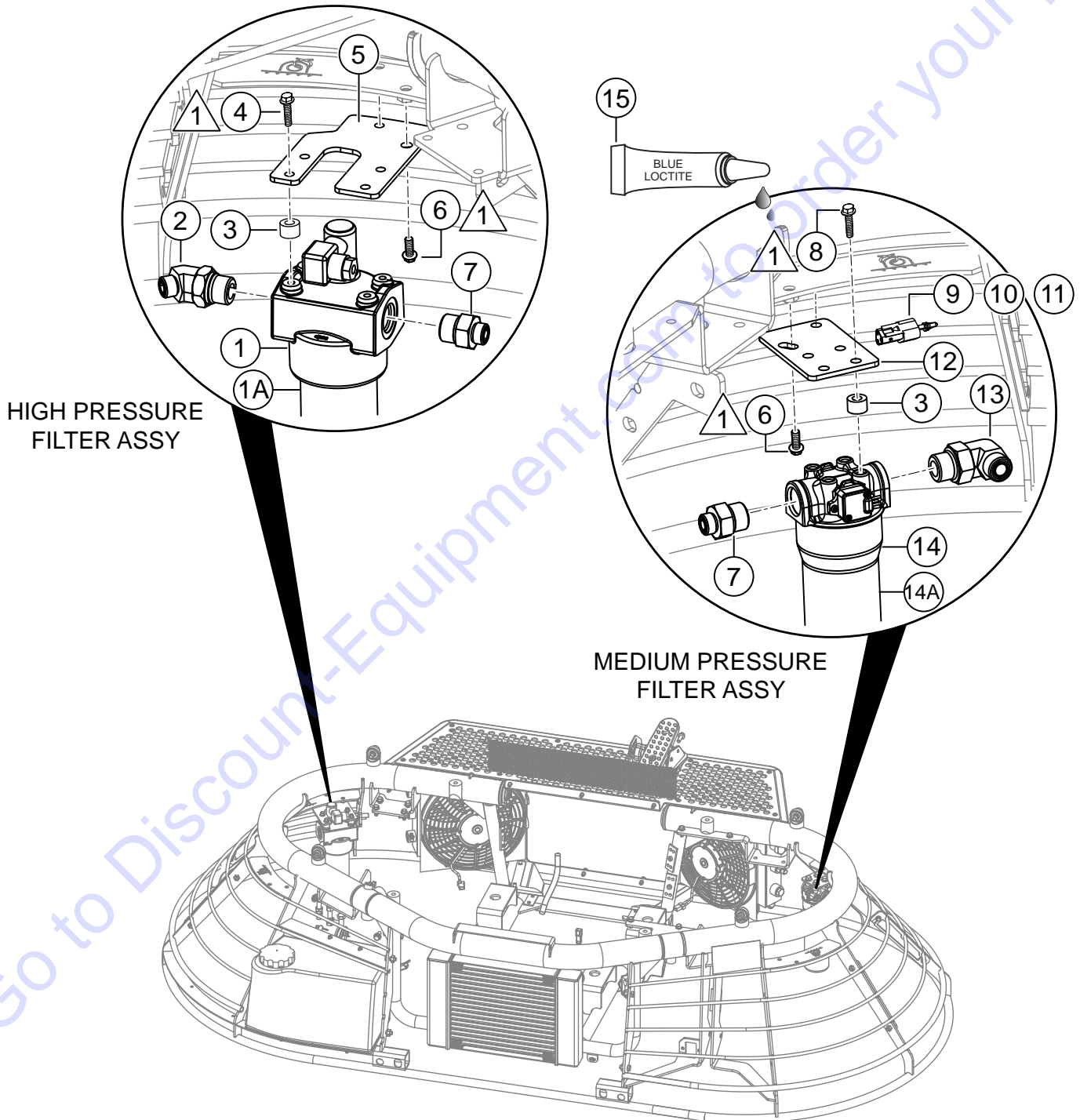
<u>NO.</u>	<u>PART NO.</u>	<u>PART NAME</u>	<u>QTY.</u>	<u>REMARKS</u>
1	42551	RACHET CAP, TOP VENT	1	
2	32343	FITTING, STR -12MORFS x -12MOR	1	
3	42090	TANK, GEN 3 HYDRAULIC EXPANSION	1	
4	42342	SCREW, HFS, ZP, M8-1.25 x 16, CLASS 8.8	3	
5	32347	FITTING, 90 -4MORFS x -4MOR	1	

Go to Discount-Equipment.com to order your parts

FILTER ASSY.

NOTE:

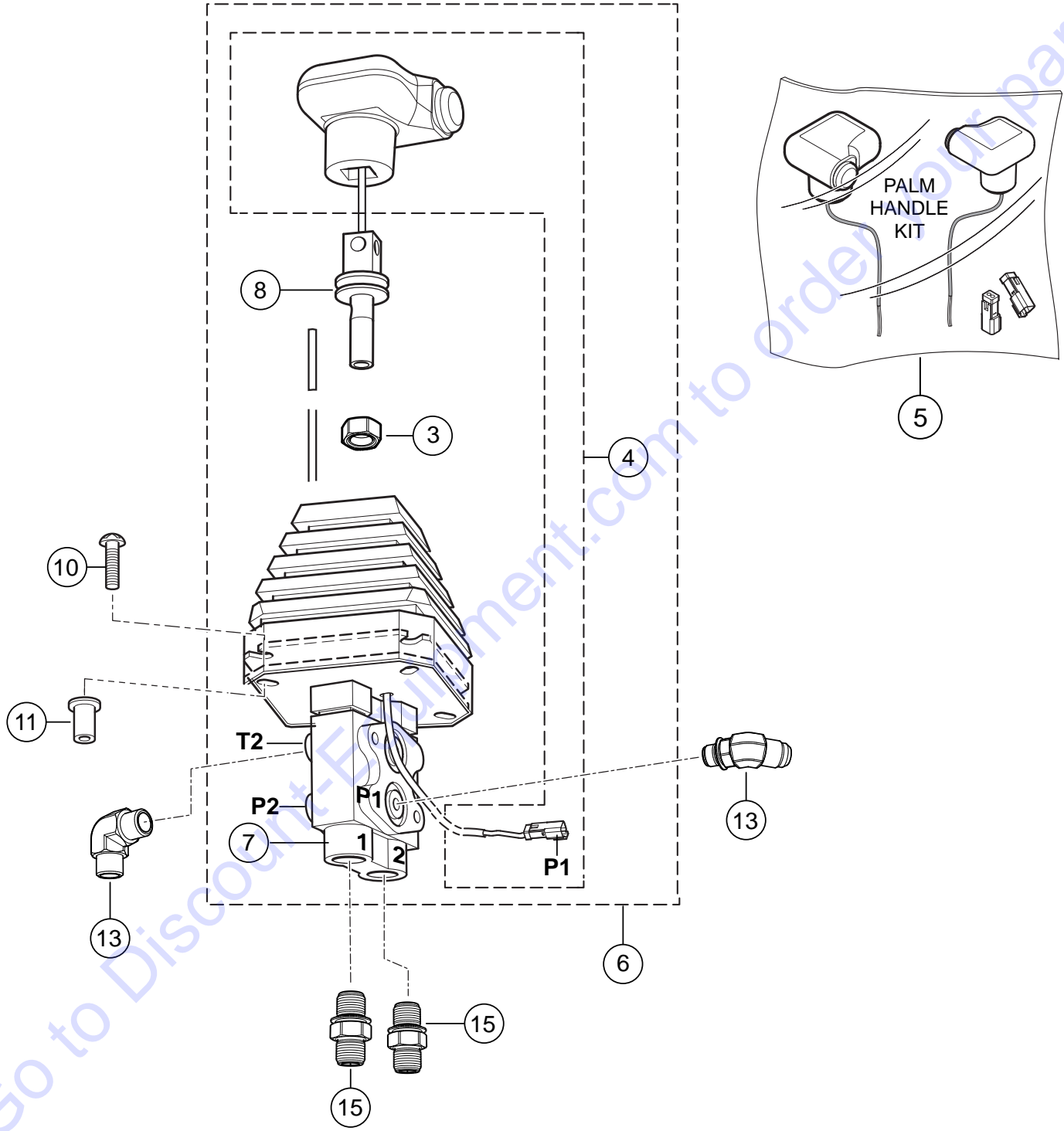
1 APPLY BLUE LOCTITE #242.



FILTER ASSY.

<u>NO.</u>	<u>PART NO.</u>	<u>PART NAME</u>	<u>QTY.</u>	<u>REMARKS</u>
1	42615	FILTER ASM, HIGH, 10 MICRON, BYPASS IND	1	
1A	42615-1	FILTER ASM, HIGH, PARKER - REPLACEMENT ELEMENT	1	
2	32804	FITTING, 45 8MORFS X 12MOR	1	
3	29938	SPACER, MUFFLER BRACKET	8	
4	23792	SCREW, HHFS M8-1.25x30MM	4	
5	42774	MOUNT PLATE, HYD HIGH FILTER, TIER 4	1	
6	42342	SCREW, HFS, ZP, M8-1.25 x 16, CLASS 8.8	4	
7	32711	FITTING, STR 8MORFS x 12MOR	2	
8	22106	SCREW, HHFS 3/8-16 x 1.25 ZINC	4	
9	46192	PIN, DEUTSCH 16, 16-20 AWG	3	
10	EE50818	CONNECTOR, DEUTSCH 3 POSITION	1	
11	EE50819	WEDGE LOCK, DT SERIES, 3 POS, GREEN, W3P	1	
12	42773	MOUNT PLATE, HYD MED FILTER, TIER 4	1	
13	32712	FITTING, 90 8MORFS x 12MOR	1	
14	42616	FILTER ASM, MED, 10 MICRON, BYPASS IND	1	
14A	42616-1	FILTER ASM, MED., PARKER - REPLACEMENT ELEMENT	1	
15	1477	LOCTITE, #242, BLUE, 0.5CC BOTTLE	AR	

LEFT-HAND VALVE ASSY.

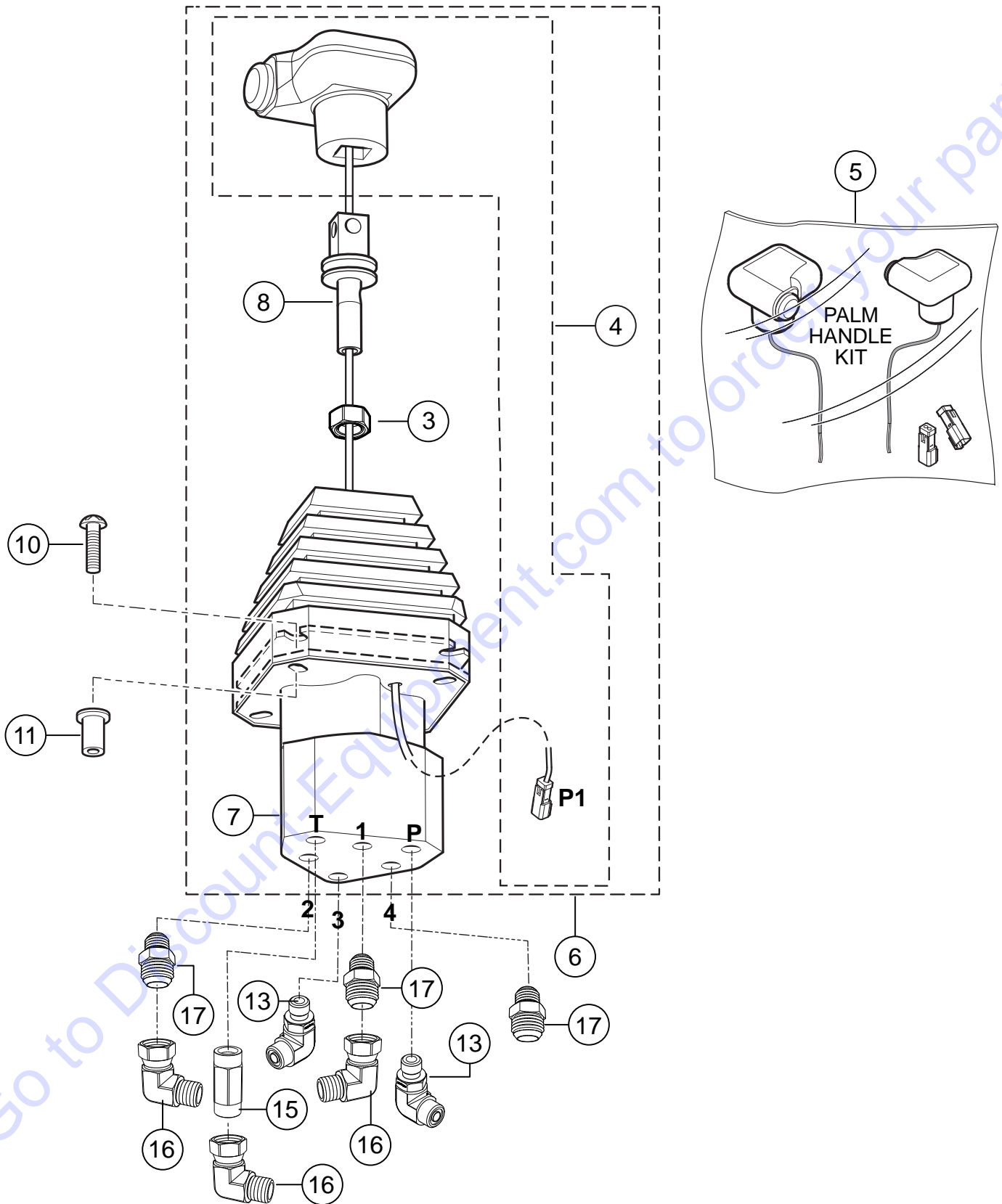


LEFT-HAND VALVE ASSY.

<u>NO.</u>	<u>PART NO.</u>	<u>PART NAME</u>	<u>QTY.</u>	<u>REMARKS</u>
3#%	16083	NUT, HEX M12-1.75 NO PLATE	1	
4#%	20150	KIT, PALM HANDLE LEFT, W/SWITCH	1	
5	20165	KIT, PALM HNDL W/TOGGLE SWITCH	1	
6%	42831	VALVE, LH STRG W/SWITCH ASSEMBLY	1	INCLUDES ITEMS W/#
7#%	20833	VALVE, LH STEERING	1	
8#%	21053	ADAPTOR, LH PALM HANDLE	1	
10	42325	SCREW, BHSC, M6-1.0 X 20, FLANGED	4	
11	42496	RIVNUT FASTENER, HALF HEX M6X1	4	
13%	32354	FITTING, 90 -MORFS X -6MOR	2	
15%	32341	FITTING, STR -6MORFS X -6MOR	2	

Go to Discount-Equipment.com to order your parts

RIGHT-HAND VALVE ASSY.

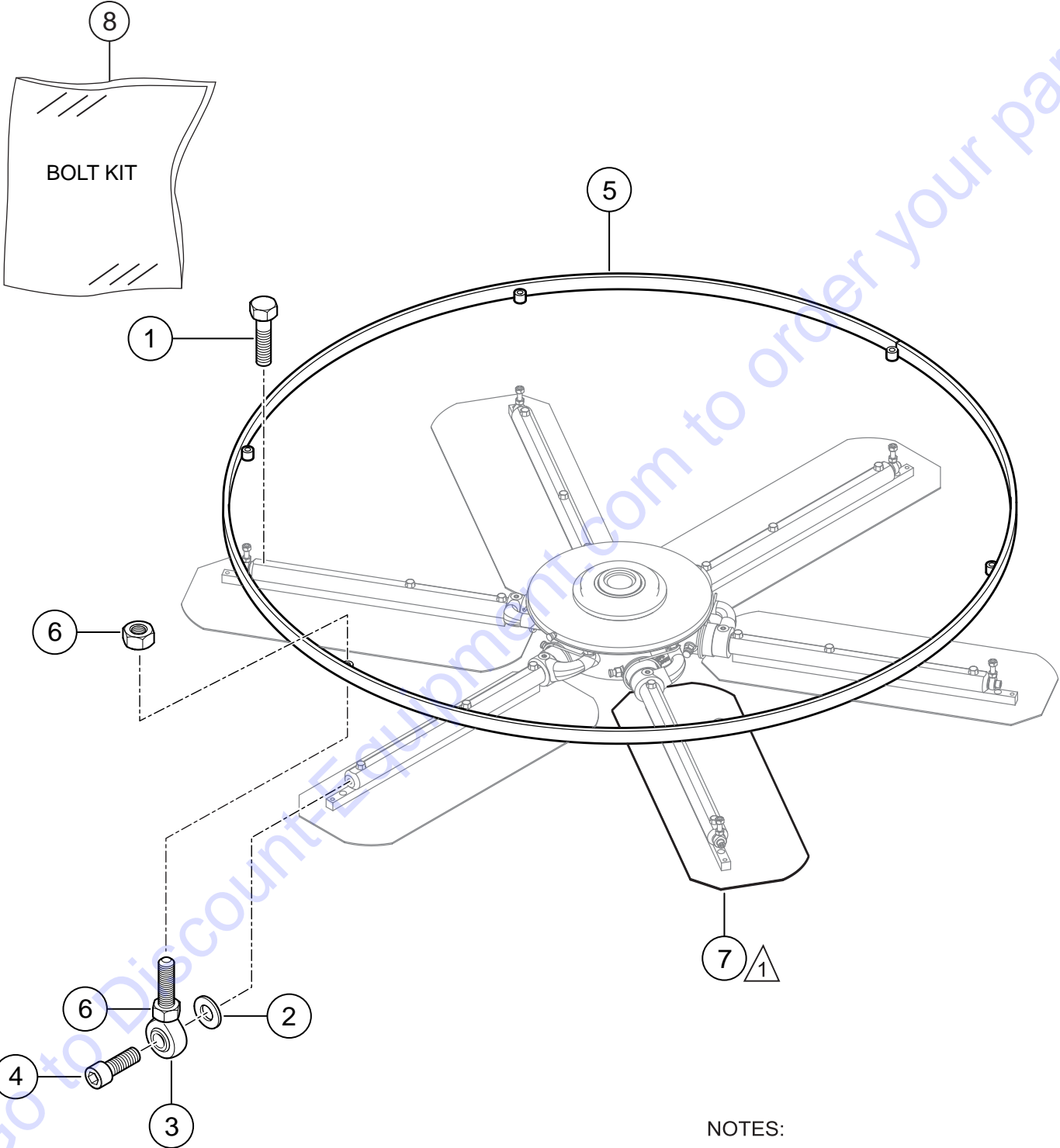


RIGHT-HAND VALVE ASSY.

<u>NO.</u>	<u>PART NO.</u>	<u>PART NAME</u>	<u>QTY.</u>	<u>REMARKS</u>
3#%	16083	NUT, HEX M12-1.75 NO PLATE	1	
4#%	20155	KIT, PALM HANDLE RIGHT, W/SWITCH	1	
5	20165	KIT, PALM HANDLE W/TOGGLE SWITCH	1	
6%	42832	VALVE, RH STEERING W/SWITCH ASSY.....	1	INCLUDES ITEMS W/#
7#%	20832	VALVE, RH STEERING	1	
8#%	20834	ADAPTER, PALM HANDLE	1	
11	42496	RIVNUT FASTENER, HALF HEX M6X1	8	
13%	32354	FITTING, 90 -6MORFS X 6 MOR	2	
15%	32454	FITTING, STR 6MORFS X 6MORFS LONG	1	
16%	32256	FITTING, 90 6FORFS X 6MORFS	3	
17%	32341	FITTING, STR -6MORFS X -6MOR	3	

Go to Discount-Equipment.com to order your parts

STABILIZER ASSY.



NOTES:

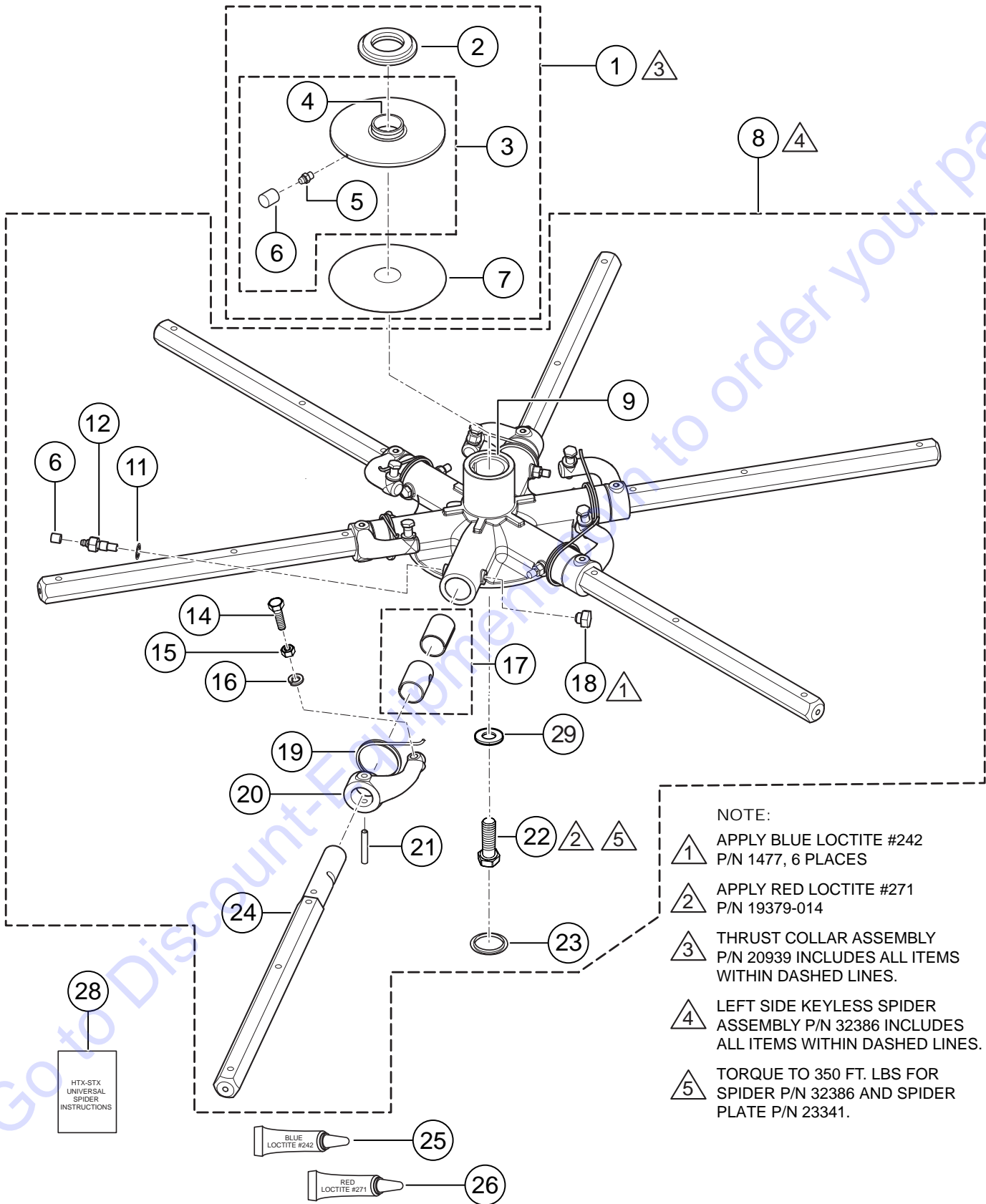
 TO PURCHASE BLADES
CONTACT UNIT SALES DEPT.

STABILIZER ASSY.

<u>NO.</u>	<u>PART NO.</u>	<u>PART NAME</u>	<u>QTY.</u>	<u>REMARKS</u>
1\$	22174	SCREW, HHFS 5/16-18 X 1-3/4" GR5	38	
2	0300 B	WASHER, FLAT SAE 5/16"	12	
3	1723	ROD END 5/16-24 MALE RH	12	
4	1237	SCREW, SHC 5/16-18 X 7/8" NYLOC	12	
5	32391	RING W/A, BLADE STABILIZER	2	
6	6014 C	NUT, HEX FINISH 5/16-24	24	
7		BLADE ASSEMBLY	12.....	CONTACT UNIT SALES
8	23643	KIT, BOLT SAE BLADE.....	1.....	INCLUDES ITEMS W/\$

Go to Discount-Equipment.com to order your parts

6-BLADE SPIDER ASSY. (LEFT-SIDE)



NOTE:

- ▲1 APPLY BLUE LOCTITE #242
P/N 1477, 6 PLACES
- ▲2 APPLY RED LOCTITE #271
P/N 19379-014
- ▲3 THRUST COLLAR ASSEMBLY
P/N 20939 INCLUDES ALL ITEMS
WITHIN DASHED LINES.
- ▲4 LEFT SIDE KEYLESS SPIDER
ASSEMBLY P/N 32386 INCLUDES
ALL ITEMS WITHIN DASHED LINES.
- ▲5 TORQUE TO 350 FT. LBS FOR
SPIDER P/N 32386 AND SPIDER
PLATE P/N 23341.

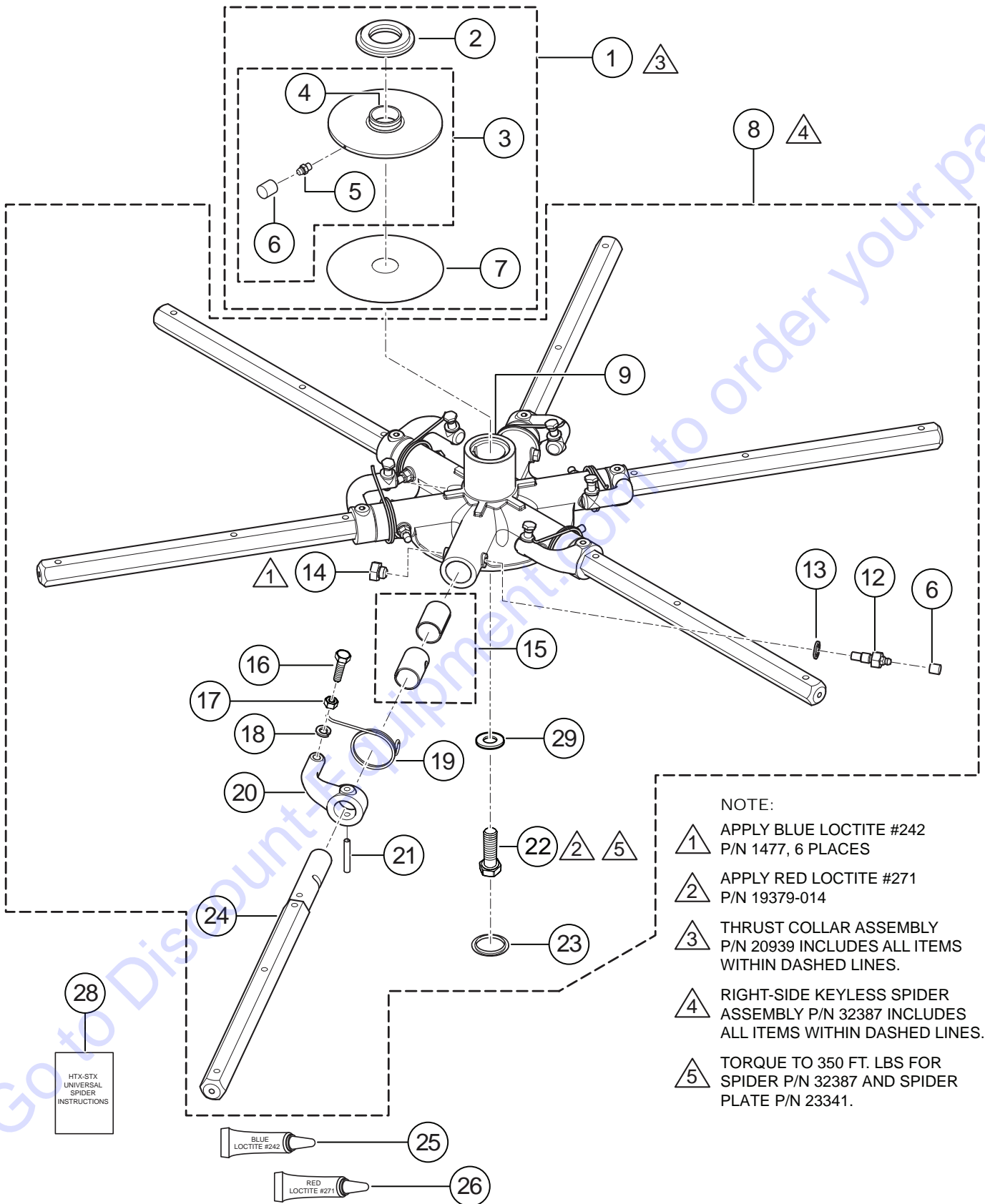
HTX-STX
UNIVERSAL
SPIDER
INSTRUCTIONS

6-BLADE SPIDER ASSY. (LEFT-SIDE)






<u>NO.</u>	<u>PART NO.</u>	<u>PART NAME</u>	<u>QTY.</u>	<u>REMARKS</u>
1	20939	THRUST COLLAR ASSEMBLY	1.....	INCLUDES ITEMS W/@
2@	12779	BEARING, 85MM X 130MM, FLANGED	1	
3@	12315	THRUST COLLAR W/BUSHING	1.....	INCLUDES ITEMS W/\$
4@\$	12316	BUSHING, THRUST COLLAR	1	
5@	2621	ZERK, GREASE STR 1/4-28	1	
6#@	1162 A	CAP, GREASE ZERK #2	7	
7@	12250	PLATE, WEAR	1	
8	32386-SK	SPIDER ASSY., KIT, 6 BLD TAPERED, LS.....	1.....	INCLUDES ITEMS W/#
9#%	23341	SPIDER 6 BLD SERVICE KIT	1.....	INCLUDES ITEMS W/%
11#	1875	WASHER, INT. SHKP. 3/8"	6	
12#	1322	SCREW, RETAINING	6	
14#	21031	SCREW, HHC RND 7/16-14 UNC SPCL GR8	6	
15#	07034-007	NUT, HEX JAM 7/16-14	6	
16#	2955	WASHER, LOCK 7/16 MED	6	
17#	11039	BUSHING, ARM 2 PIECE	12	
18#%	11602	SCREW, HHC 3/8-16 X 1/4"	6	
19#	9111	SPRING, LS ARM RETURN, SMALL BOSS	6	
20#	21049-1	LEVER, TROWEL ARM, LS SILVER	6	
21#	32045	PIN, COILED SPRING 5/16-2.00"	6	
22#%	32788	SCREW, HHC 3/4-16 X 2-1/2", GR8	1	
23#%	20121	PLUG, SPIDER SNAP IN	1	
24#	32383-1	ARM, TROWEL, HD EXTENDED SILVER.....	6.....	HTX6H
25#%	1477	LOCTITE #242 BLUE .5CC	1	
26#%	19379-014	LOCTITE #271 RED, ANAEROBIC	1	
28%	32771	INSTR., SPIDER, UNIVERSAL, HTX/STX	1.....	TO OBTAIN COPY SEE BELOW
29#%	933247	WASHER, FLAT SAE 3/4 GR9	1	

TO OBTAIN A COPY OF INSTRUCTIONS P/N 32771 GO TO — DISCOUNT-EQUIPMENT.COM

6-BLADE SPIDER ASSY. (RIGHT-SIDE)



NOTE:

-  APPLY BLUE LOCTITE #242
P/N 1477, 6 PLACES
-  APPLY RED LOCTITE #271
P/N 19379-014
-  THRUST COLLAR ASSEMBLY
P/N 20939 INCLUDES ALL ITEMS
WITHIN DASHED LINES.
-  RIGHT-SIDE KEYLESS SPIDER
ASSEMBLY P/N 32387 INCLUDES
ALL ITEMS WITHIN DASHED LINES.
-  TORQUE TO 350 FT. LBS FOR
SPIDER P/N 32387 AND SPIDER
PLATE P/N 23341.

28
HTX-STX
UNIVERSAL
SPIDER
INSTRUCTIONS

25
BLUE
LOCTITE #242

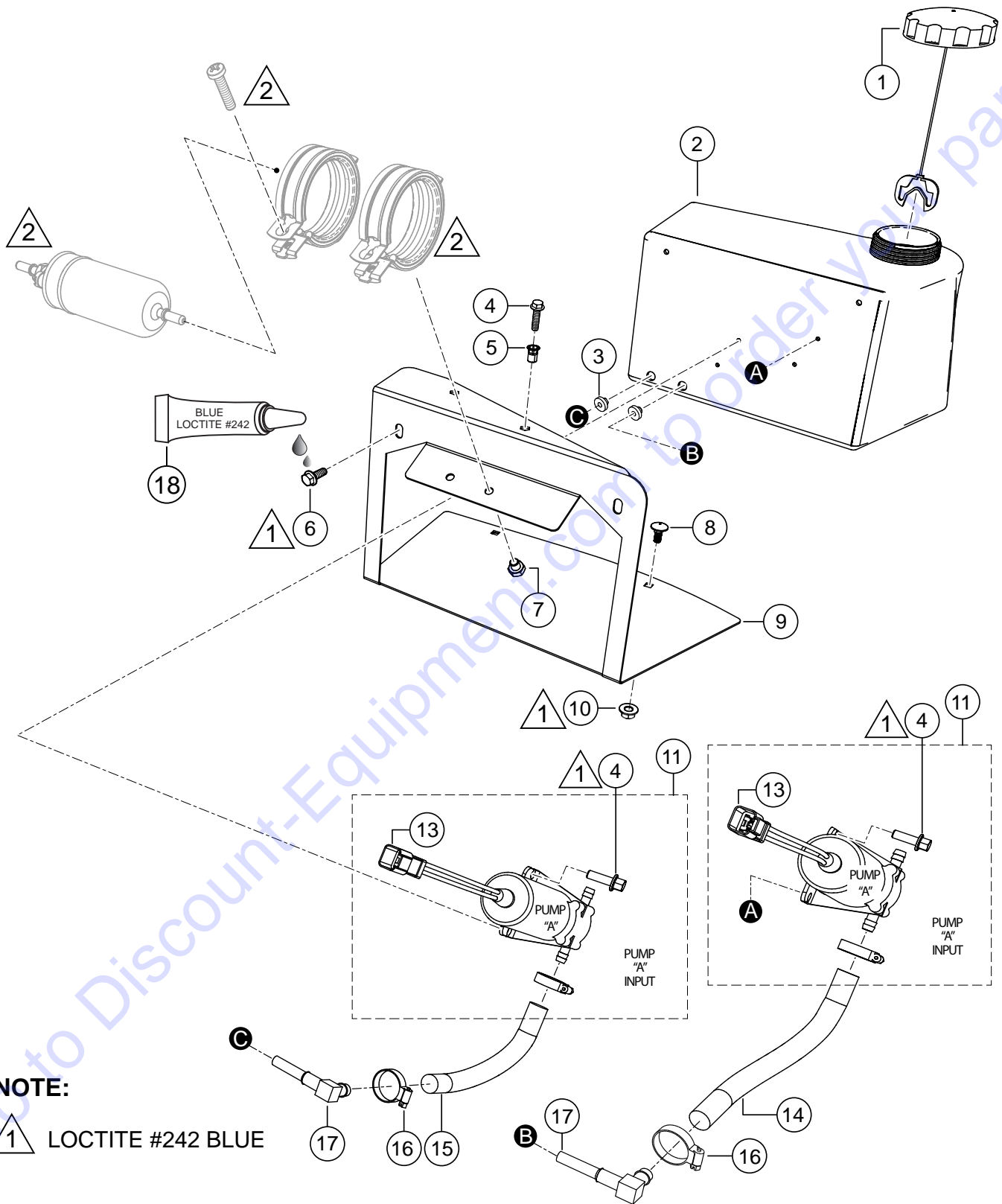
26
RED
LOCTITE #271

6-BLADE SPIDER ASSY. (RIGHT-SIDE)

<u>NO.</u>	<u>PART NO.</u>	<u>PART NAME</u>	<u>QTY.</u>	<u>REMARKS</u>
1	20939	THRUST COLLAR ASSEMBLY	1.....	INCLUDES ITEMS W/@
2@	12779	BEARING, 85MM X 130MM, FLANGED	1	
3@	12315	THRUST COLLAR W/BUSHING	1.....	INCLUDES ITEM W/\$
4@\$	12316	BUSHING, THRUST COLLAR	1	
5@	2621	ZERK, GREASE ZERK #2	6	
6#@	1162 A	CAP, GREASE ZERK #2	7	
7@	12250	PLATE, WEAR	1	
8	32387-SK	SPIDER ASSY., KIT, 6BLD TAPERED, RS	1.....	INCLUDES ITEMS W/#
9#%	23341	SPIDER STX/HTX 6BLD. SERVICE KIT.....	1.....	INCLUDES ITEMS W/%
12#	1322	SCREW, RETAINING	6	
13#	1875	WASHER, INT. SHKP. 3/8"	6	
14#%	11602	SCREW, HHC 3/8-16 X 1/4"	6	
15#	11039	BUSHING ARM 2 PIECE	12	
16#	21031	SCREW, HHC RND' 7/16-14 UNC SPCL GR8	6	
17#	07034-007	NUT, HEX JAM 7/16-14	6	
18#	2955	WASHER, LOCK, 7/16" MED.	6	
19#	2143	SPRING, RS ARM RETURN, SMALL BOSS	6	
20#	21050-1	LEVER, TROWEL ARM HYD. RS. SILVER	6	
21#	32045	PIN, COILED SPRING 5/16 X 2"	6	
22#%	32788	SCREW, HHC 3/4-16 X 2-1/4" GR8, YEL, ZN	2	
23	20121	PLUG, SPIDER SNAP IN	1	
24#	32383-1	ARM, TROWEL, 6 BLADE SILVER	6	
25#%	1477	LOCTITE #242 BLUE .5CC	1	
26#%	19379-014	LOCTITE #271 RED, ANAEROBIC	1	
28#%	32771	INSTR., SPIDER, UNIVERSAL, HTX/STX	1.....	TO OBTAIN COPY SEE BELOW
29#%	933247	WASHER, FLAT SAE 3/4 GR9YZ	1	

TO OBTAIN A COPY OF INSTRUCTIONS P/N 32771 GO TO — DISCOUNT-EQUIPMENT.COM

SPRAY ASSY. (S/N NH2003616 AND BELOW)



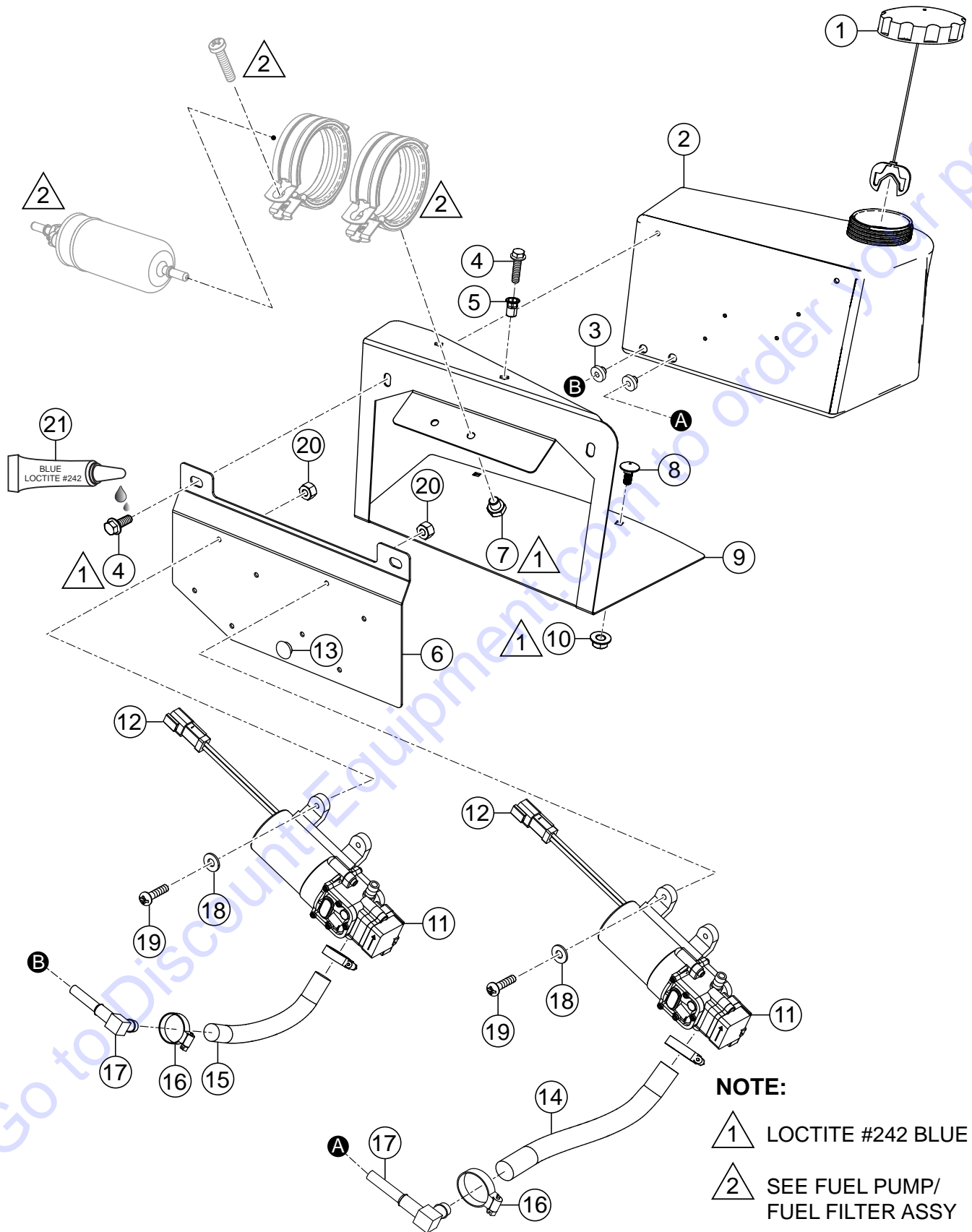
NOTE:

1 LOCTITE #242 BLUE

SPRAY ASSY. (S/N NH2003616 AND BELOW)

<u>NO.</u>	<u>PART NO.</u>	<u>PART NAME</u>	<u>QTY.</u>	<u>REMARKS</u>
1	42435	CAP, RETARDANT TANK LANYARD, 3.5"	1	
2	42569	TANK, TIER 4 RETARDANT	1	
3	19633	BUSHING, RUBBER FUEL DAPCO 10672	2	
4	42542	SCREW HFS, ZP, M6-1.0 X 16	6	
5	42496	RIVNUT FASTENER, HALF HEX LONG FLNG M6X1	2	
6	42342	SCREW, HFS, ZP, M8-1.25 x 16, CLASS 8.8	2	
7	42937	SCREW, HHC M8-1.25 X 8MM	2	
8	42822	SCREW, CB, M8 X 1.25 X 20	2	
9	42818	BRACKET, RETARDANT TANK	1	
10	23802	NUT, HEX FLANGE M8-1.25 SERRATED	2	
11	23434	PUMP, SPRAY W/MALE AND FEMALE CONNECTOR	2	INCLUDES ITEMS W/\$
13\$	37402	CONNECTOR KIT	2	
14	60021	HOSE, 3/8ID X 5/8OD BRAIDED PVC, 0.71 FEET	1	1PC=1FT
15	60021	HOSE, 3/8ID X 5/8OD BRAIDED PVC, 0.50 FEET	1	1PC=1FT
16	15538	CLAMP, HOSE WORM # 6, 7/16" TO 7/8"	4	
17	29677	FITTING, 90 6BARBx6-4BARB TRUTANK SCREEN	2	
18	1477	LOCTITE #242 BLUE .5CC	1	

SPRAY ASSY. (S/N NH2003617 AND ABOVE)



NOTE:

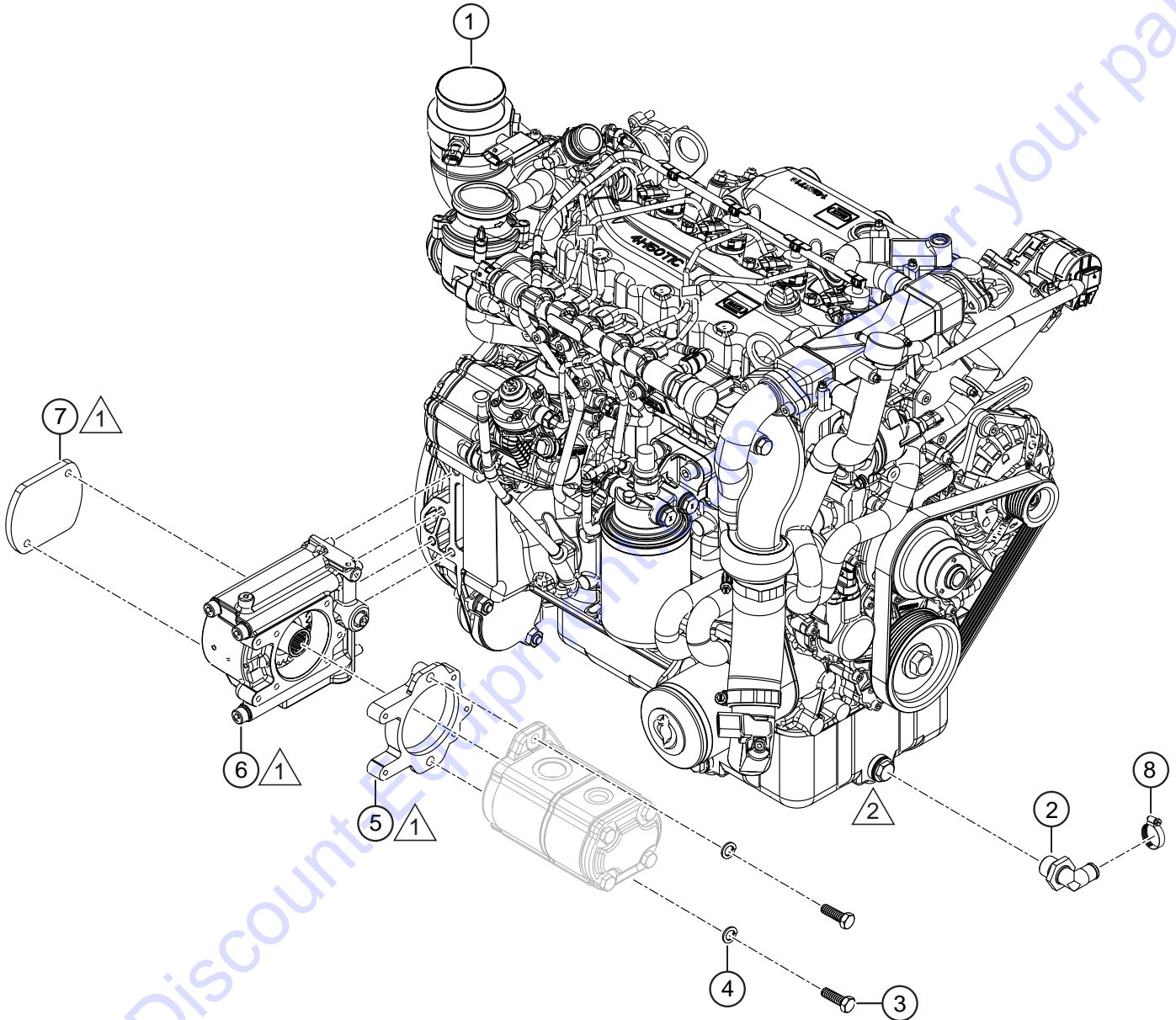
1 LOCTITE #242 BLUE

2 SEE FUEL PUMP/
FUEL FILTER ASSY

SPRAY ASSY. (S/N NH2003617 AND ABOVE)

<u>NO.</u>	<u>PART NO.</u>	<u>PART NAME</u>	<u>QTY.</u>	<u>REMARKS</u>
1	42435	CAP, RETARDANT TANK LANYARD, 3.5"	1	
2	42569	TANK, TIER 4 RETARDANT	1	
3	19633	BUSHING, RUBBER FUEL DAPCO 10672	2	
4	42542	SCREW HFS, ZP, M6-1.0 X 16	4	
5	42496	RIVNUT FASTENER, HALF HEX LONG FLNG M6X1	2	
6	30558	BRACKET, SPRAY PUMP MOUNT, HTX/STX	1	
7	42937	SCREW, HHC M8-1.25 X 8MM	2	
8	42822	SCREW, CB, M8 X 1.25 X 20	2	
9	42818	BRACKET, RETARDANT TANK	1	
10	23802	NUT, HEX FLANGE M8-1.25 SERRATED	2	
11	30560	PUMP, SPRAY, W/ FEMALE CON BODY	2	INCLUDES ITEMS W/\$
12\$	37402	CONNECTOR KIT	2	
13	21597	BUMPER, STEM 1.0"D X .5S X .31	1	
14	60021	HOSE, 3/8 ID X 5/8 OD, BRAIDED PVC, 0.88 FEET	1	1PC=1FT
15	60021	HOSE, 3/8 ID X 5/8 OD, BRAIDED PVC, 0.56 FEET	1	1PC=1FT
16	15538	CLAMP, HOSE WORM # 6, 7/16" TO 7/8"	4	
17	29677	FITTING, 90 6BARBx6-4BARB TRUTANK SCREEN	2	
18	2203	WASHER, FLAT, #10	8	
19	8133	SCREW, PHP 10-32 X 3/4	8	
20	10019	NUT, NYLOC 10-32	8	
21	1477	LOCTITE #242 BLUE .5CC	1	

ENGINE ASSY.



NOTE:

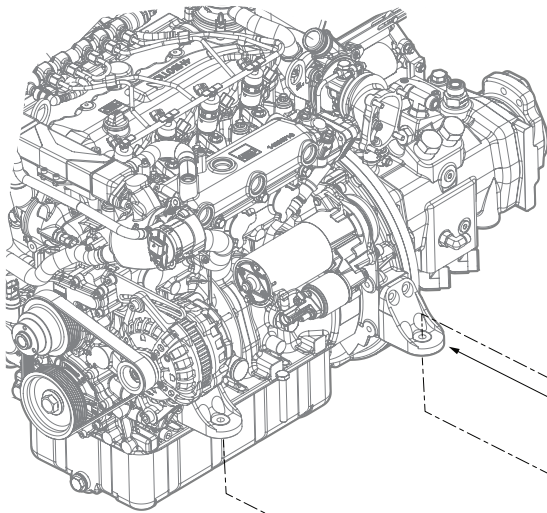
- ① INCLUDED WITH ENGINE.
- ② REMOVE DRAIN PLUG AND REPLACE WITH DRAIN PLUG FITTING, ITEM 2, P/N 42959.

ENGINE ASSY.

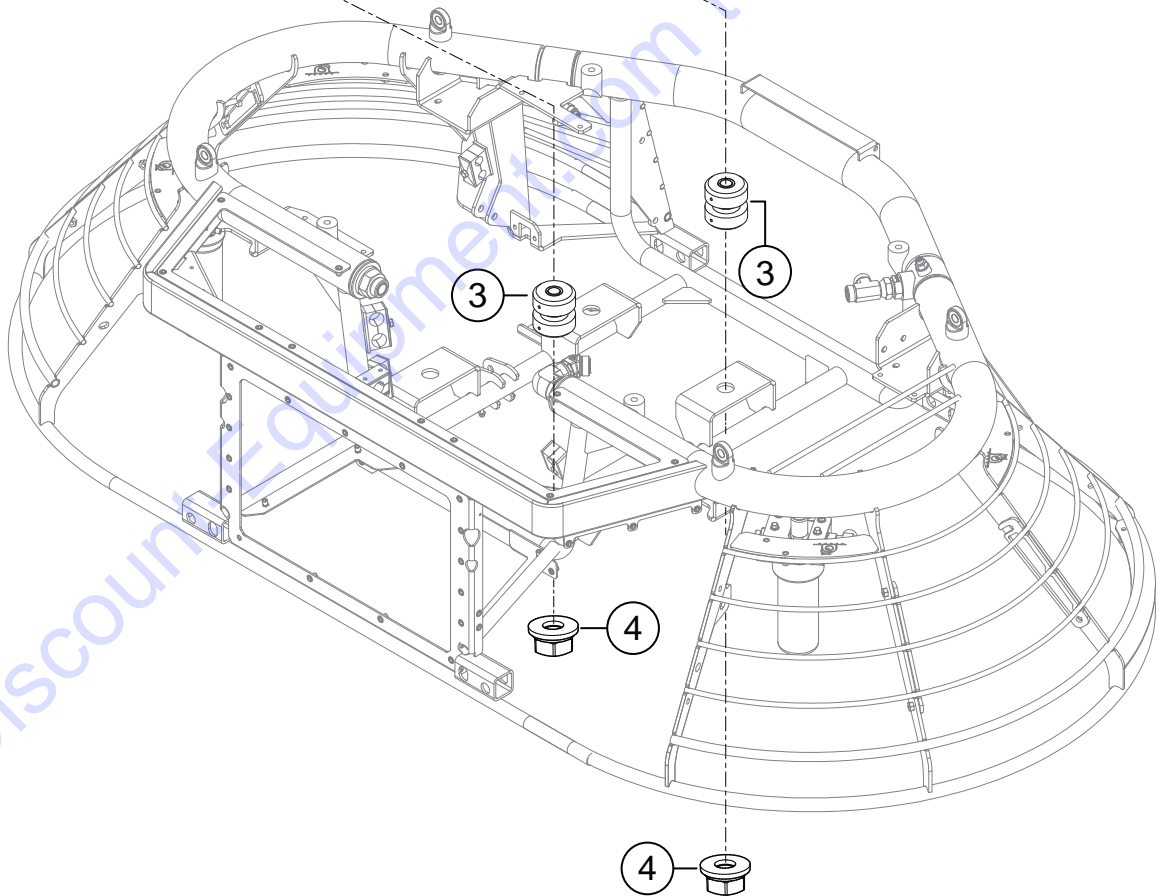
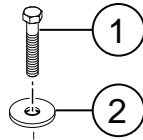
<u>NO.</u>	<u>PART NO.</u>	<u>PART NAME</u>	<u>QTY.</u>	<u>REMARKS</u>
1	42603	ENGINE ASSY., HATZ 4H50TIC	1	
2	42959	FITTING, DRAIN PLUG L, 22MM X 1.5	1	
3	1023	SCREW, HHC 3/8-16 X 1 1/4 GR5	2	
4	0166 A	WASHER, LOCK, 3/8 MED.	2	
5	42602-09	ADAPTER, 4 TO 2 HOLE, PT	1	
6	42602-02	PTO, FLYWHEEL	1	
7	42602-08	COVER PLATE,PTO	1	
8	15538	CLAMP, HOSE WORM #6, 7/16" TO 11/16"	1	

Go to Discount-Equipment.com to order your parts

ENGINE MOUNTING ASSY.



LEFT SIDE



NOTE:

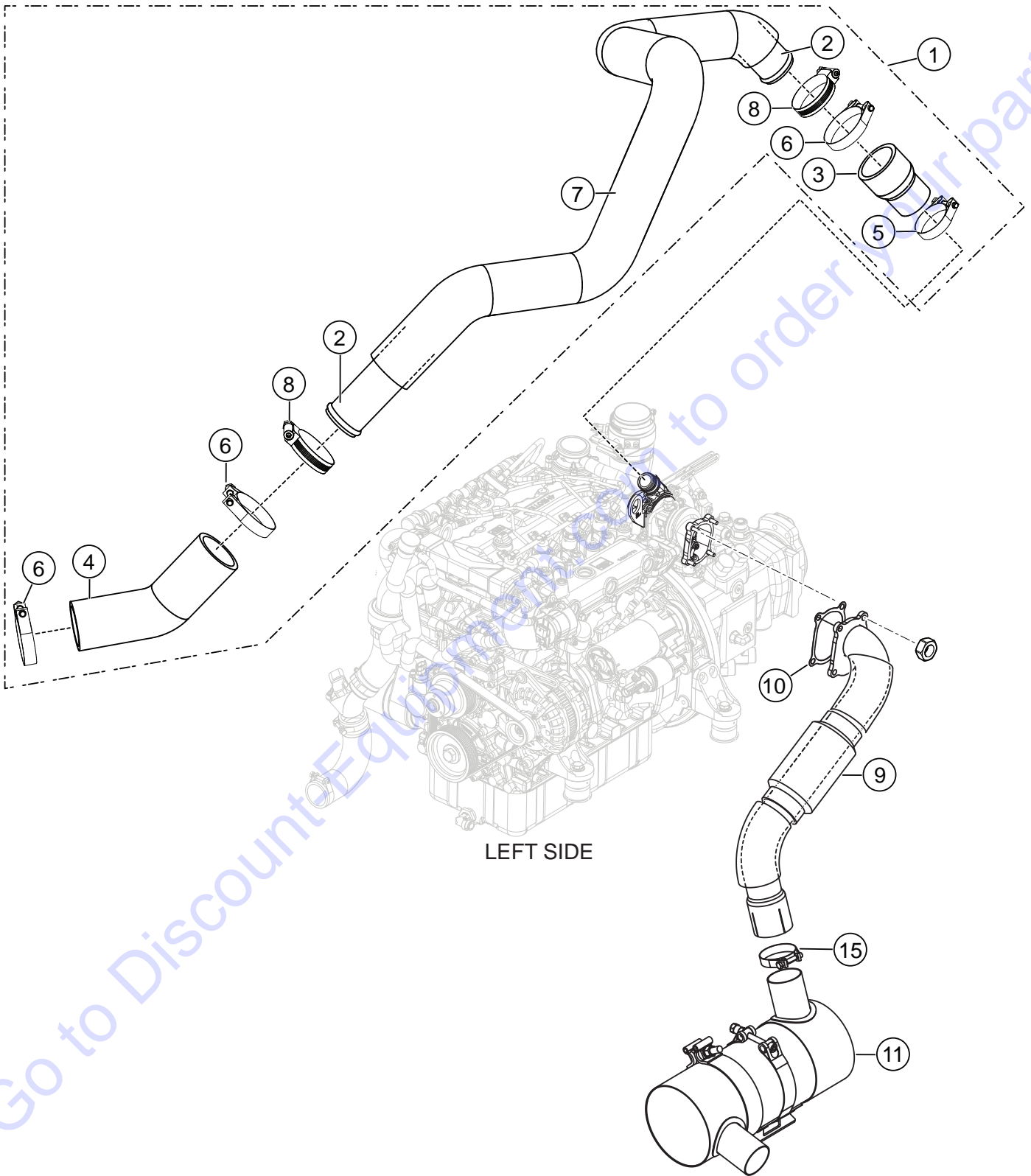
 INCLUDED WITH ENGINE.

ENGINE MOUNTING ASSY.

<u>NO.</u>	<u>PART NO.</u>	<u>PART NAME</u>	<u>QTY.</u>	<u>REMARKS</u>
1	42888	SCREW, HHC M10-1.50 X 75MM GR10.9	4	
2	940358	WASHER, FLAT, 10MM ID x 20MM OD, ZP	4	
3	42709	MOUNT, ENGINE ISOLATOR, REXROTH-HATZ	4	
4	42889	NUT, HEX NYLOC, M10-1.50, GR10.9	4	

Go to Discount-Equipment.com to order your parts

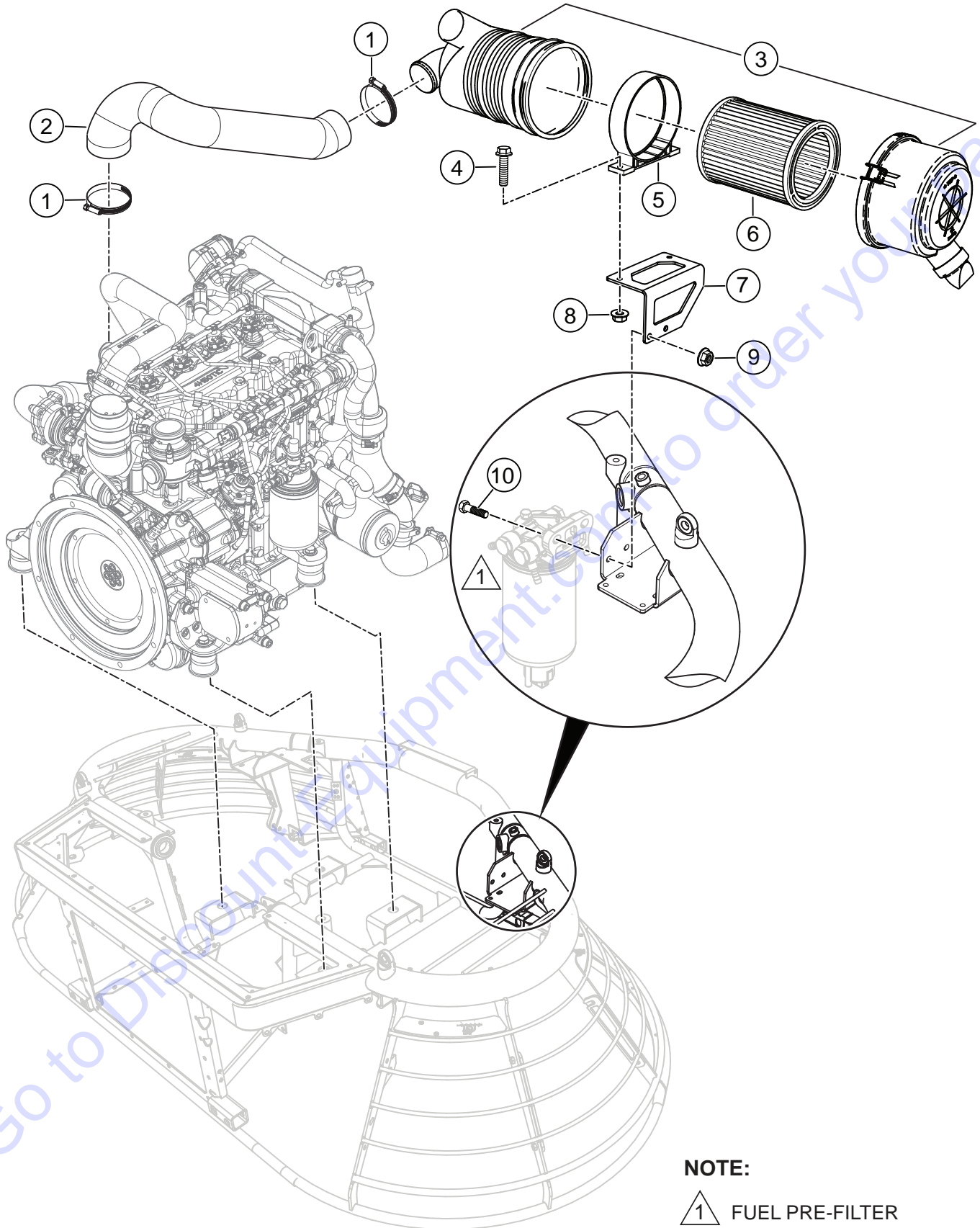
EXHAUST ASSY.



EXHAUST ASSY.

<u>NO.</u>	<u>PART NO.</u>	<u>PART NAME</u>	<u>QTY.</u>	<u>REMARKS</u>
1	42742	PIPE ASSY, HOT SIDE CAC	1.....	INCLUDESITEMSW/#
2#	42739	PIPE, HOT SIDE CAC	1	
3#	42744	SILICONE BOOT, 1.75" X 35MM, CAC	1	
4#	42759	SILICONE BOOT, 45°, 1.75"X 1.75", CAC	1	
5#	42842	CLAMP, T-BOLT, 43 - 47MM	1	
6#	42841	CLAMP, T-BOLT, 52-59MM	3	
7#	60160	SLEEVE, FIBERGLASS INSULATION 1.5IN (FT).....	4.....	1PC=1FT
8#	962015	CLAMP, WORM #28	2	
9	42691	HEADER, EXHAUST, HATZ	1.....	INCLUDESITEMSW/\$
10	42602-12	GASKET, EXHAUST, TURBO TO DOC	1	
11	42602-10	DOC, EXHAUST CANISTER, 4H50TIC	1	
15	42841	CLAMP, T-BOLT, 52-59MM	1	

AIR CLEANER ASSY.



NOTE:

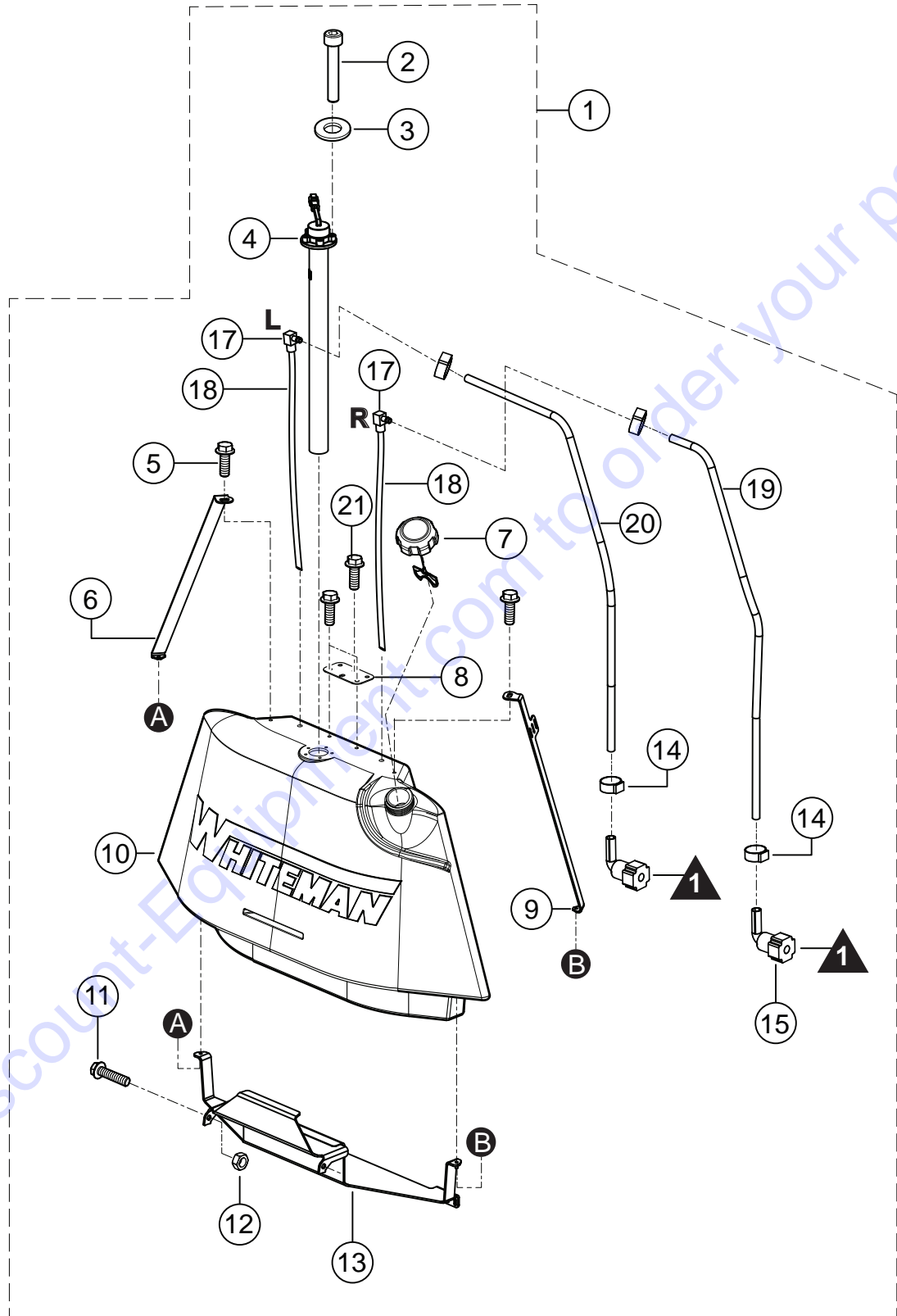
- △ 1 FUEL PRE-FILTER INCLUDED WITH ENGINE.

AIR CLEANER ASSY.

<u>NO.</u>	<u>PART NO.</u>	<u>PART NAME</u>	<u>QTY.</u>	<u>REMARKS</u>
1	29218	CLAMP, HOSE WORM #48	2	
2	42746	HOSE, INLET AIR, TIER 4	1	
3	42702	FILTER, AIR 90 DEG, TIER 4	1	
4	42436	SCREW, HFS, ZP, M8-1.25 x 25, CLASS 8.8	2	
5	42703	MOUNT, DONALDSON G065411 AIR FILTER	1	
6	42702-1	FILTER, AIR, ELEMENT	1	
7	42707	PLATE, AIR CLEANER MOUNT,	1	
8	23802	NUT, HEX FLANGE M8-1.25 SERRATED	2	
9	42353	NUT, HEX, SERRATED-FLANGE, M10 -1 .5	2	
10	21584	SCREW, HHC M10-1.5 X 35MM GR10.9	2	

Go to Discount-Equipment.com to order your parts

FUEL SYSTEM ASSY.



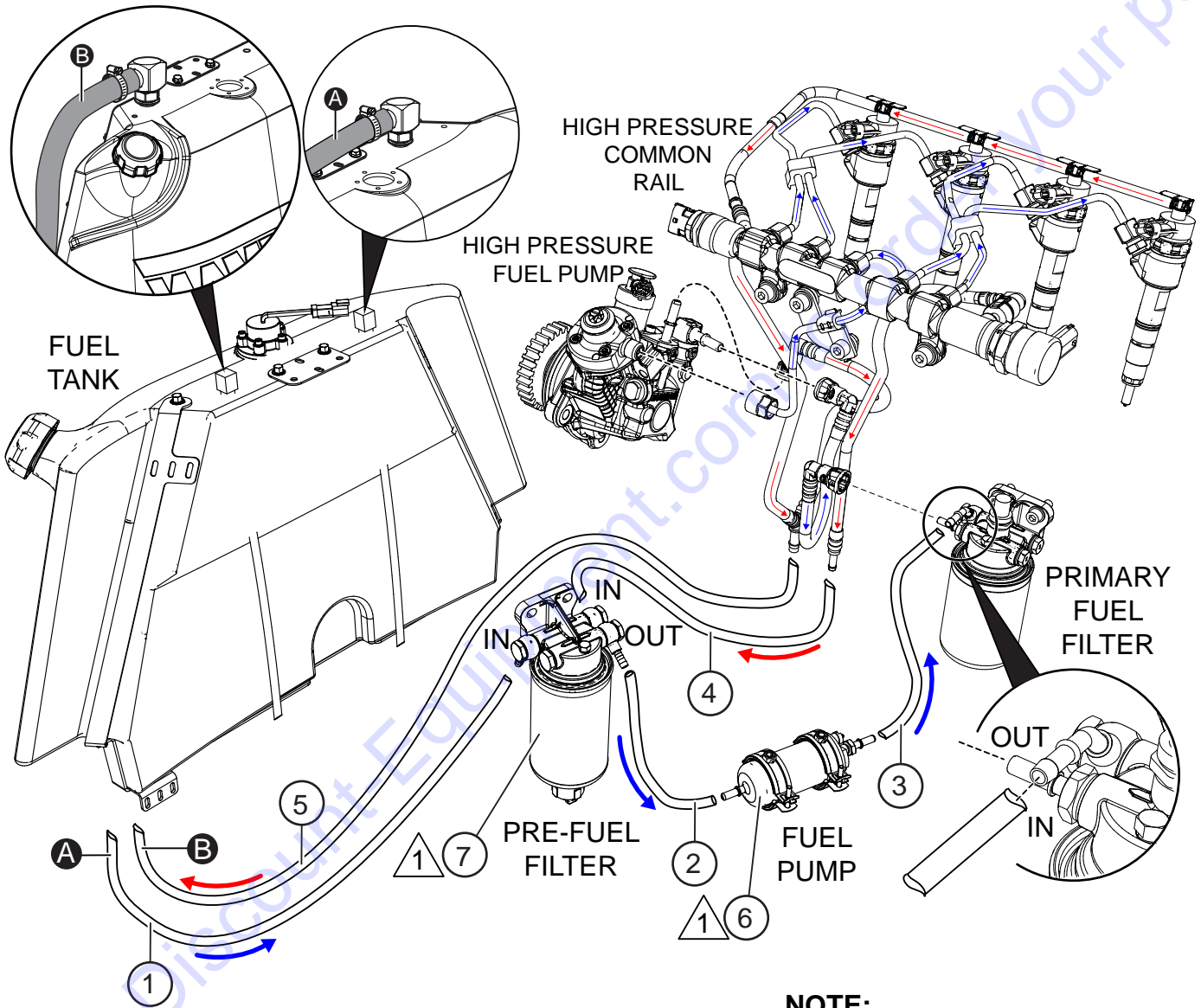
NOTE:

1 SEE FUEL PUMP /FUEL FILTER ASSY

FUEL SYSTEM ASSY.

<u>NO.</u>	<u>PART NO.</u>	<u>PART NAME</u>	<u>QTY.</u>	<u>REMARKS</u>
1	42766	TANK ASSEMBLY, FUEL	1.....	INCLUDES ITEMS W/@
2@	37325	SCREW, SHC M5 - 0.8 X 30MM	5	
3@	28922-058	WASHER M5	5	
4@	42423	SENDING UNIT, FUEL	1	
5@	42342	SCREW, HFS, ZP, M8-1.25 X 16, CLASS 8.8	4	
6@	42426	BRACKET, FUEL TANK STRAP, LEFT	1	
7@	42799	CAP, YELLOW DIESEL W/LANYARD	1	
8@	42292	PLATE, FUEL TANK TETHER	1	
9@	42425	BRACKET, FUEL TANK STRAP, RIGHT	1	
10@	42105	TANK, GEN. 3 DIESEL, 10 GAL	1	
11@	42343	SCREW, HFS, ZP, M8-1.25 x 20, CLASS 8.8	2	
12@	42344	NUT,NYLOC, M8-1.25, CLASS 8.8	2	
13@	42429	BRACKET, FUEL TANK, WELDMENT	1	
14@	37822	CLAMP, 15.3 OETIKER STEPLESS EAR	4	
15@	42458	FITTING, FUEL, .312, 90° SAE	2	
17@	42501	LINE FUEL TANK PICKUP	2	
18@	42459	HOSE, RUBBER FUEL, SAE J2260 CAT. 1	2	
19@	42758	LINE, FUEL INLET	1	
20@	42754	LINE, FUEL OUTLET	1	
21@	42325	SCREW, BHSC, M6-1.0 X 20, FLANGED	1	

FUEL PUMP AND FUEL FILTER ASSY.



NOTE:

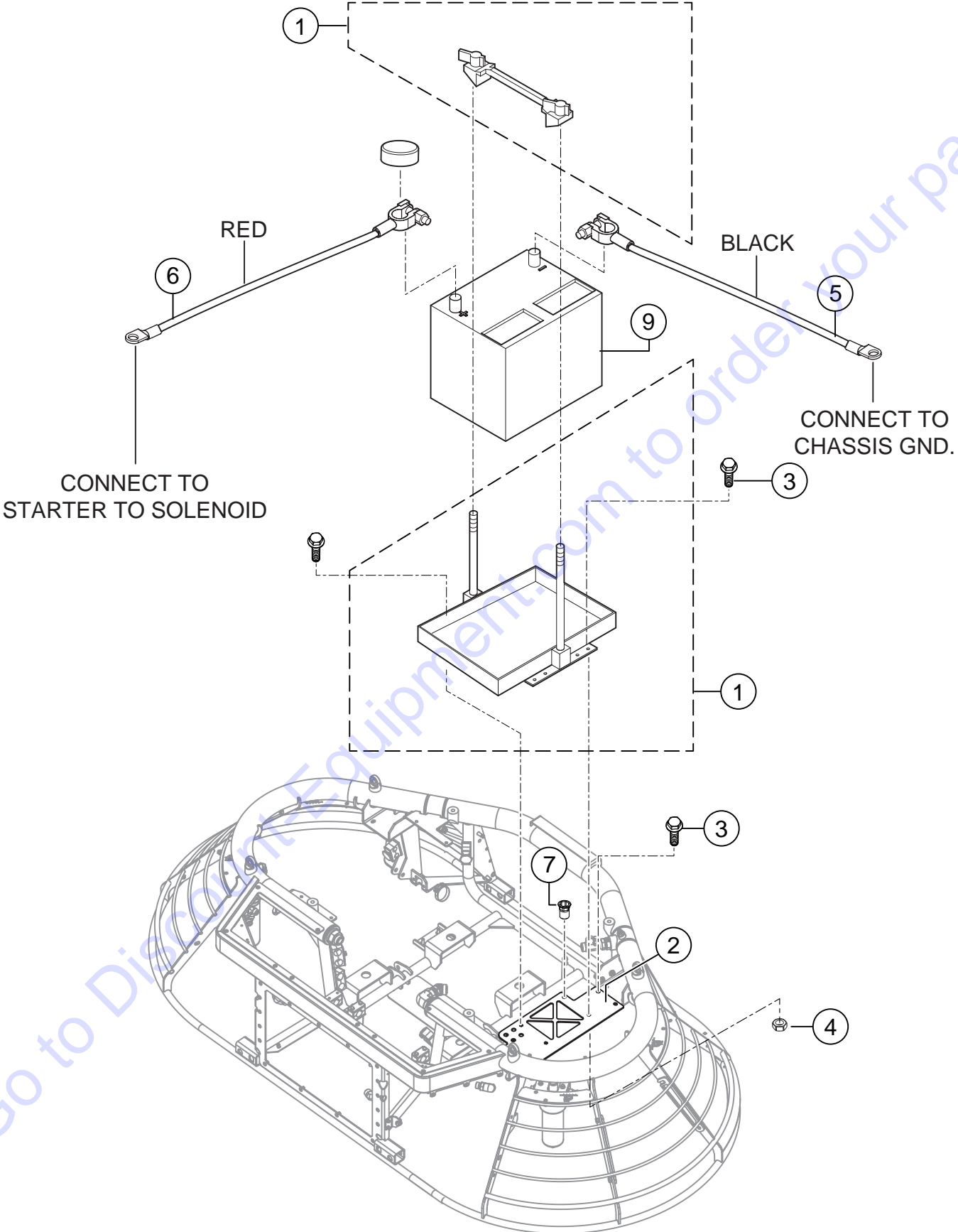
△ 1 INCLUDED WITH ENGINE.

FUEL PUMP AND FUEL FILTER ASSY.

<u>NO.</u>	<u>PART NO.</u>	<u>PART NAME</u>	<u>QTY.</u>	<u>REMARKS</u>
1	42754	LINE, FUEL TANK TO PRE-FILTER, 2.58 FT (31 IN).....	3.....	1PC=1FT
2	42755	LINE, FUEL, PRE-FILTER TO SUPPLY PUMP, 2.13 FT (25.5 IN)	3.....	1PC=1FT
3	42756	LINE, SUPPLY PUMP TO MAIN FILTER, 2.46 FT (29.5 IN).....	3.....	1PC=1FT
4	42757	LINE, FUEL RETURN RAIL TO PRE-FILTER, 1.75 FT (21 IN)	2.....	1PC=1FT
5	42758	LINE, FUEL, ENGINE RETURN TO TANK, 5.25 FT (63 IN).....	6.....	1PC=1FT
6	42602-04	PUMP, FUEL.....	1.....	INCLUDEDW/ENGINE
7	42602-06	PRE-FILTER, FUEL.....	1.....	INCLUDEDW/ENGINE

Go to Discount-Equipment.com to order your parts

BATTERY ASSY.

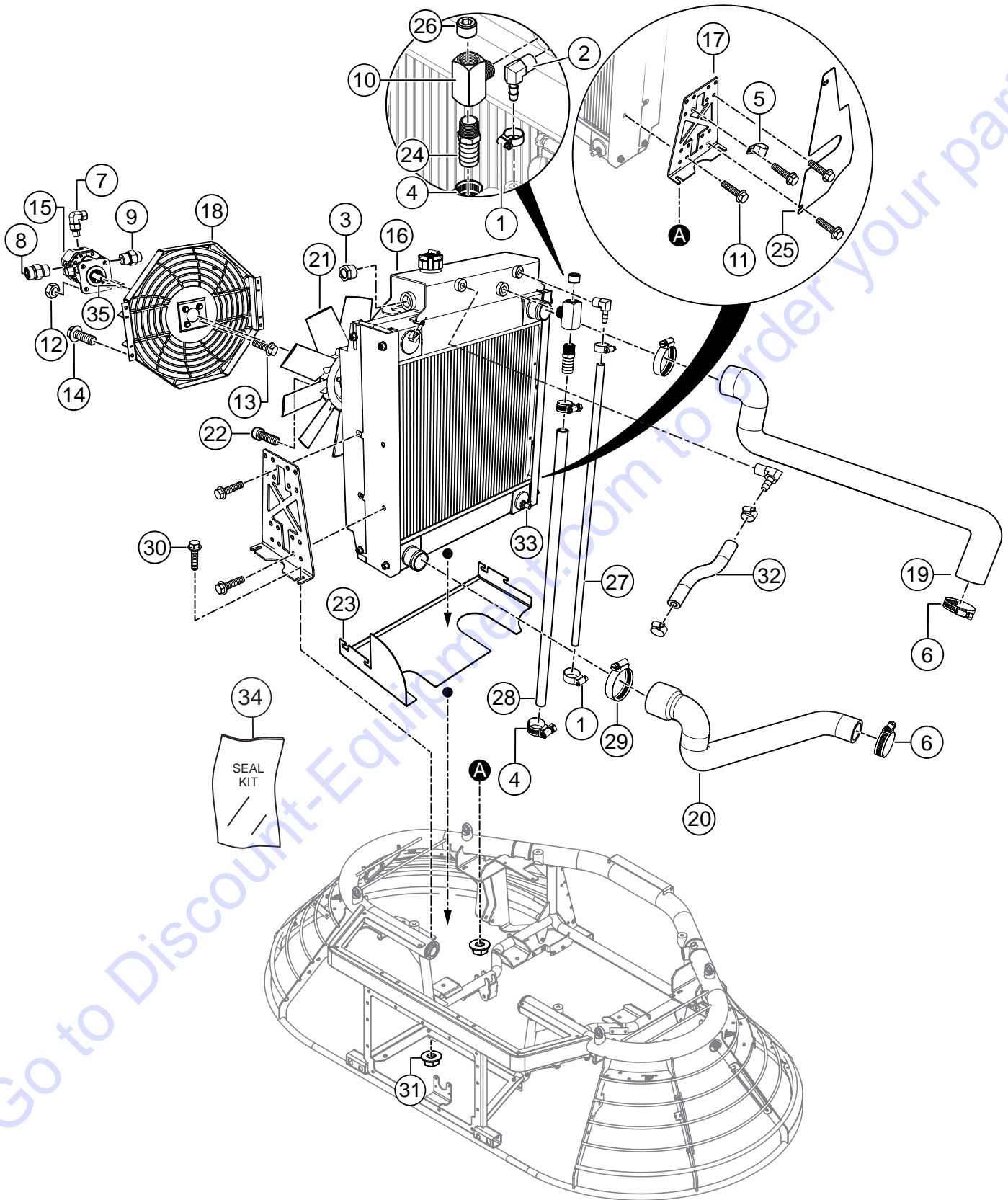


BATTERY ASSY.

<u>NO.</u>	<u>PART NO.</u>	<u>PART NAME</u>	<u>QTY.</u>	<u>REMARKS</u>
1	29661	KIT, W/TOP/STUDS/NUTS/TRAY	1	
2	42634	PLATE, BATTERY	1	
3	42436	SCREW, HFS, ZP, M8-1.25 x 25, CLASS 8	6	
4	23802	NUT, HEX FLANGED M8-1.25 SERRATED ZN	6	
5	12278	CABLE, BATTERY NEG 4 GA X 32 X 3/8	1	
6	19303	CABLE, BATTERY POS 4 GA X 48" POST	1	
7	42496	RIVNUT FASTENER, HALF HEX LONG FLNG, M6 X 1	4	
9		BATTERY, OPTIMA 8022-091	1USE OPTIMA P/N 8022-091

Go to Discount-Equipment.com to order your parts

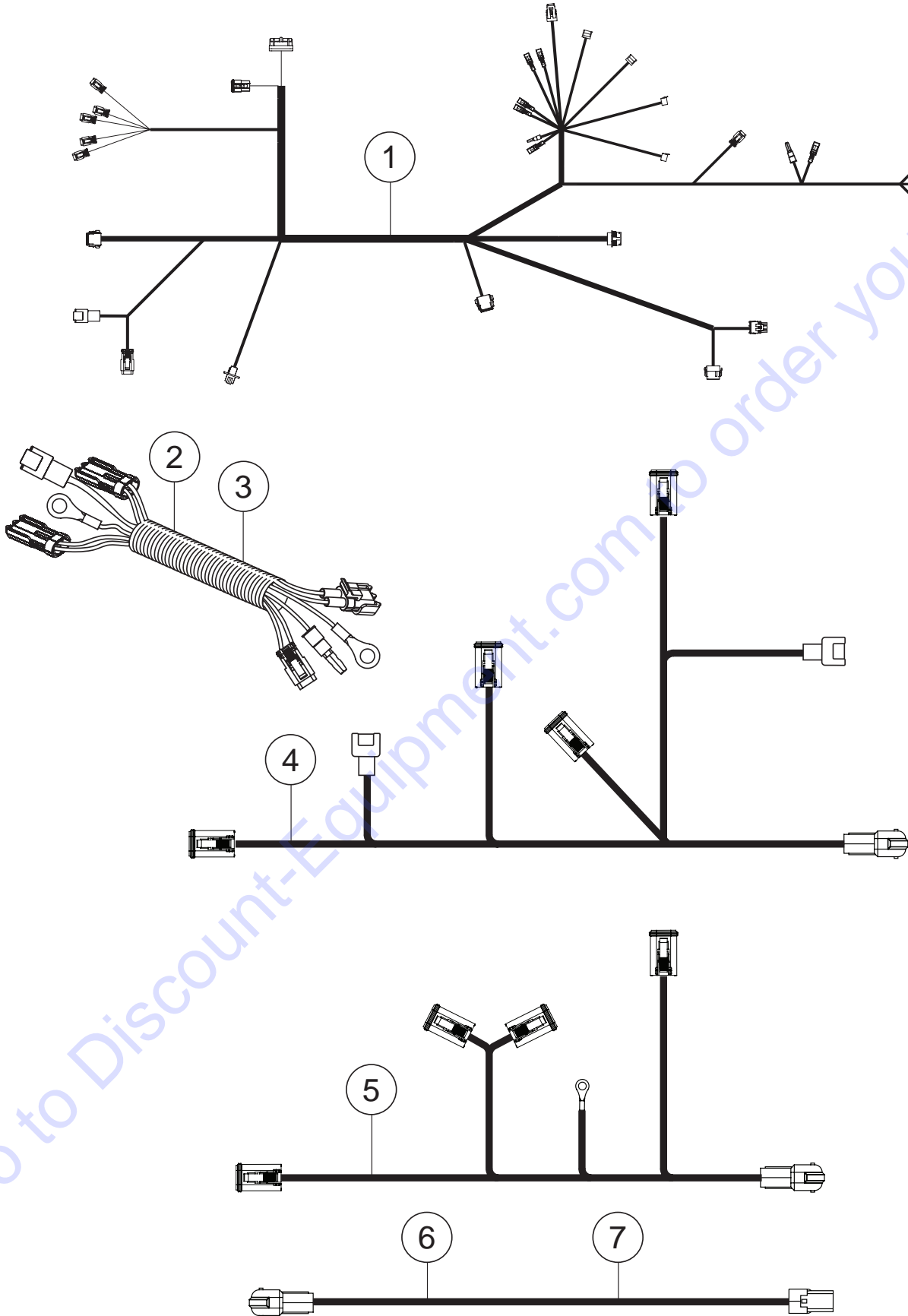
RADIATOR MOUNTING HARDWARE ASSY.



RADIATOR MOUNTING HARDWARE ASSY.

<u>NO.</u>	<u>PART NO.</u>	<u>PART NAME</u>	<u>QTY.</u>	<u>REMARKS</u>
1	15538	CLAMP, HOSE WORM # 6	4	
2	17206	FITTING, 90 5BARB - 1/4 MP	2	
3	21033	SIGHT GLASS, 3/4 NPT, STEEL, NO BALL	1	
4	23119	CLAMP, HOSE WORM, LINED S.S. 3/4" TO 1 1/8"	2	
5	25647	CLAMP, HOSE 3/4 LOOP X .406 HOLE	1	
6	26405	CLAMP, HOSE WORM # 20	2	
7	32347	FITTING, 90 4MORFS x 4MOR	1	
8	32425	FITTING, STR 8MORFS x 8MOR	1	
9	32716	FITTING, STR 6MORFS x 8MOR	1	
10	367727	FITTING, TEE 3/8FP - 3/8MP - 3/8FP	1	
11	42342	SCREW, HFS, ZP, M8-1.25 x 16, CLASS 8.8	8	
12	42344	NUT, NYLOC, M8-1.25, CLASS 8.8	4	
13	42436	SCREW, HFS, ZP, M8-1.25 x 25, CLASS 8.8	4	
14	42542	SCREW HFS, ZP, M6-1.0 X 16	4	
15	42613	MOTOR, 3.7 CC FIXED GEAR	1	
16	42706	COOLER, HATZ 4H50TIC ENGINE	1	
17	42712	BRACKET, RADIATOR	2	
18	42723	MOUNT, 17" RADIATOR FAN	1	
19	42732	HOSE, UPPER RADIATOR, TIER 4	1	
20	42745	HOSE, LOWER RADIATOR, TIER 4	1	
21	42833	FAN, 17" STR BLADE, TIER 4 RADIATOR	1	
22	42944	SCREW, SHC 10-24 X 1-1/4"	3	
23	42951	AIR SHIELD, LOWER RADIATOR, TIER 4	1	
24	42956	FITTING, STR 3/8 MP - 10BARB, BRASS	1	
25	42957	AIR SHIELD, REAR, TIER 4	1	
26	5016b	FITTING, PLUG 3/8MP HEX SKT HD	1	
27	60016	HOSE, COOLANT, 5/16" ID, 2.84 FEET	3.....	1PC=1FT
28	60019	HOSE, COOLANT, 5/8" ID, 2.34 FEET	3.....	1PC=1FT
29	962015	CLAMP, WORM #28	2	
30	42436	SCREW, HFS, ZP, M8-1.25 X 25, CLASS 8.8	4	
31	23802	NUT, HEX FLANGE M8-1.25 SERRATED	4	
32	60016	HOSE, COOLANT, 5/16" ID, 0.5 FEET	1.....	1PC=1FT
33	42613-1	VALVE, RELIEF	1	
34	42613-2	KIT, SEAL	1	
35	37269	KEY, SQUARE 1/8 X 3/4	1	

HARNES ASSY.



HARNES ASSY.

<u>NO.</u>	<u>PART NO.</u>	<u>PART NAME</u>	<u>QTY.</u>	<u>REMARKS</u>
1	42699	HARNES LH CONSOLE, NO GAGE	1	
2	42700	HARNES RH CONSOLE, POWERVIEW	1	
3	42571	HARNES, MAIN	1	
4	42265	HARNES, FILTER CONNECTION	1	
5	42646	HARNES, FT PLATFORM	1	
6	22796	HARNES, SEAT SWITCH		

Go to Discount-Equipment.com to order your parts

PARTS FINDER

**Search Website
by Part Number**



**Search Manual
Library For Parts
Manual & Lookup Part
Numbers – Purchase
or Request Quote**

Search Manuals

Enter your information to help us find the right parts manual for your machine.

* Brand:

* Model:

* Serial:

* Part Number:

SEARCH

**Can't Find Part or
Manual? Request Help
by Manufacturer,
Model & Description**

Parts Order Form

Please fill in the following information to help us find the right part for your machine.

Manufacturer:	<input type="text"/>
Model:	<input type="text"/>
Description:	<input type="text"/>
Part Number:	<input type="text"/>
Quantity:	<input type="text"/>
Notes:	<input type="text"/>

Discount-Equipment.com is your online resource for quality parts & equipment.

Florida: **561-964-4949** Outside Florida TOLL FREE: **877-690-3101**

Need parts?

Click on this link: <http://www.discount-equipment.com/category/5443-parts/> and choose one of the options to help get the right parts and equipment you are looking for. Please have the machine model and serial number available in order to help us get you the correct parts. If you don't find the part on the website or on one of the online manuals, please fill out the request form and one of our experienced staff members will get back to you with a quote for the right part that your machine needs.

We sell worldwide for the brands: Genie, Terex, JLG, MultiQuip, Mikasa, Essick, Whiteman, Mayco, Toro Stone, Diamond Products, Generac Magnum, Airman, Haulotte, Barreto, Power Blanket, Nifty Lift, Atlas Copco, Chicago Pneumatic, Allmand, Miller Curber, Skyjack, Lull, Skytrak, Tsurumi, Husquvarna Target, Stow, Wacker, Sakai, Mi-T-M, Sullair, Basic, Dynapac, MBW, Weber, Bartell, Bennar Newman, Haulotte, Ditch Runner, Menegotti, Morrison, Contec, Buddy, Crown, Edco, Wyco, Bomag, Laymor, EZ Trench, Bil-Jax, F.S. Curtis, Gehl Pavers, Heli, Honda, ICS/PowerGrit, IHI, Partner, Imer, Clipper, MMD, Koshin, Rice, CH&E, General Equipment, Amida, Coleman, NAC, Gradall, Square Shooter, Kent, Stanley, Tamco, Toku, Hatz, Kohler, Robin, Wisconsin, Northrock, Oztec, Toker TK, Rol-Air, APT, Wylie, Ingersoll Rand / Doosan, Innovatech, Con X, Ammann, Mecalac, Makinex, Smith Surface Prep, Small Line, Wanco, Yanmar