

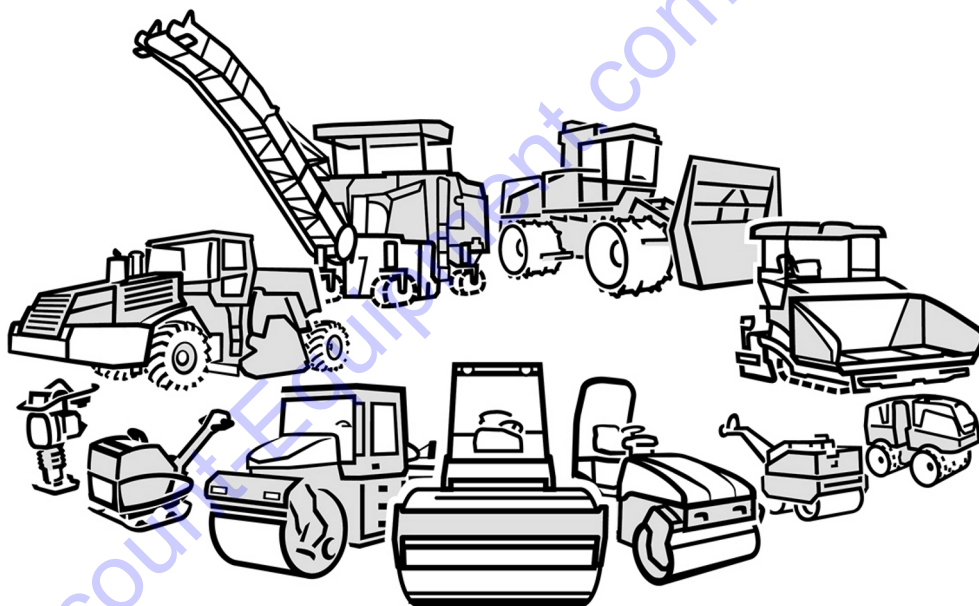
BOMAG

FAYAT GROUP

Spare Parts Catalogue

BPR 60/65 D

S/N 101692781001 > 101692781080
HATZ



Vibratory plate compactor



www.discount-equipment.com

Catalogue number:

00824383

01.10.2013 - 01.05.2014

PARTS FINDER

**Search Website
by Part Number**



**Search Manual
Library For Parts
Manual & Lookup Part
Numbers – Purchase
or Request Quote**

Search Manuals

Enter your information to search for a manual or to purchase a manual or parts.

* Brand:

* Model:

* Serial:

* Part Number:

SEARCH

**Can't Find Part or
Manual? Request Help
by Manufacturer,
Model & Description**

Parts Order Form

Please fill in the following information to request help finding a part or manual.

Manufacturer:

Model:

Description:

Quantity:

Part Number:

Part Name:

Part Description:

Part Category:

Part Location:

Part Status:

Part Condition:

Part Material:

Part Color:

Part Weight:

Part Dimensions:

Part Price:

Part Notes:

Submit

Discount-Equipment.com is your online resource for quality parts & equipment.

Florida: **561-964-4949** Outside Florida TOLL FREE: **877-690-3101**

Need parts?

Click on this link: <http://www.discount-equipment.com/category/5443-parts/> and choose one of the options to help get the right parts and equipment you are looking for. Please have the machine model and serial number available in order to help us get you the correct parts. If you don't find the part on the website or on one of the online manuals, please fill out the request form and one of our experienced staff members will get back to you with a quote for the right part that your machine needs.

We sell worldwide for the brands: Genie, Terex, JLG, MultiQuip, Mikasa, Essick, Whiteman, Mayco, Toro Stone, Diamond Products, Generac Magnum, Airman, Haulotte, Barreto, Power Blanket, Nifty Lift, Atlas Copco, Chicago Pneumatic, Allmand, Miller Curber, Skyjack, Lull, Skytrak, Tsurumi, Husquvarna Target, Stow, Wacker, Sakai, Mi-T-M, Sullair, Basic, Dynapac, MBW, Weber, Bartell, Bennar Newman, Haulotte, Ditch Runner, Menegotti, Morrison, Contec, Buddy, Crown, Edco, Wyco, Bomag, Laymor, EZ Trench, Bil-Jax, F.S. Curtis, Gehl Pavers, Heli, Honda, ICS/PowerGrit, IHI, Partner, Imer, Clipper, MMD, Koshin, Rice, CH&E, General Equipment, Amida, Coleman, NAC, Gradall, Square Shooter, Kent, Stanley, Tamco, Toku, Hatz, Kohler, Robin, Wisconsin, Northrock, Oztec, Toker TK, Rol-Air, APT, Wylie, Ingersoll Rand / Doosan, Innovatech, Con X, Ammann, Mecalac, Makinex, Smith Surface Prep, Small Line, Wanco, Yanmar

© 2015 Bomag GmbH

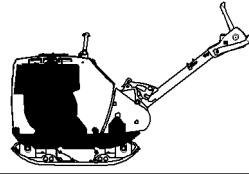
The reproduction, distribution and utilization of this document as well as the communication of its contents to others without express authorization is prohibited. Offenders will be held liable for the payment of damages. All rights reserved in the event of the grant of a patent, utility model or design.

Go to Discount-Equipment.com to order your parts

Preface and Instructions

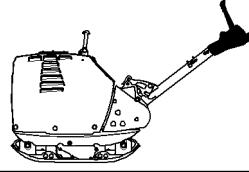


Engine / Fitting Parts



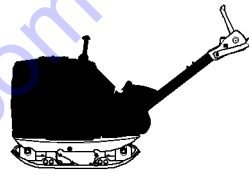
10

Power Transmission / Actuation



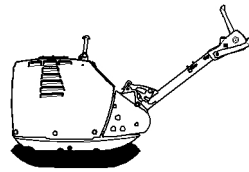
20

Frame with Attachment Parts



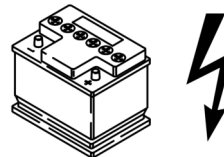
50

Plate / Foot



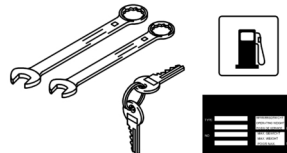
65

Electrical System



80

Accessories



100

Special Equipment

Option

110

Go to Discount-Equipment.com to order your parts

Table of Contents

Foreword

Ordering Conditions

Structure of Spare Parts Catalogue

Frequently Used Parts

Spare Parts Catalogue

Numerical Index

[Go to Discount-Equipment.com](http://Discount-Equipment.com) to order your parts

Foreword



- Only the use of ORIGINAL SPARE PARTS guarantees the correct function of the machine. The use of non-original spare parts results in the loss of all claims, regarding warranty as well as product liability.
- The relevant warranty conditions are valid for all spare parts deliveries.

The listing of parts and part numbers is in accordance with economical and technical aspects. Further spare parts are not recommended.

- Our branch offices and dealers have well sorted spare parts stores. Therefore, first of all contact our nearest activity when ordering spare parts.
- We reserve the right for technical modifications without prior notification.

Please fill in when receiving the machine

_____	_____
	Type
Serial number _____	Engine type _____
_____	_____
Date of delivery _____	Engine number _____
Key-numbers: _____	
Ignition switch _____	Cabin door _____
Engine cover _____	Hydraulic tank lock _____
Burglary protection _____	Rear flap _____
Fuel tank lock _____	Others _____

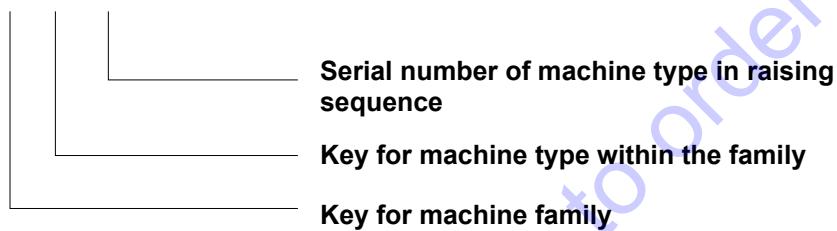
- Texts and illustrations from this catalogue must not be copied and distributed, nor must they be used for competitive purposes. All rights referring to the copyright law remain expressly reserved.



Please state the following when ordering spare parts:

1. Machine type

2. Serial number 101 400 04 0101



3. Engine type and number resp. component number

4. Part number

5. Quantity

6. Designation

7. Kind of shipment (mail, freight, express delivery, air freight, sea freight).

8. Destination (Post office, railway station, air port)
If no instructions are given concerning the Kind of shipment, we will deliver the parts in our estimation.

Spare parts deliveries are not possible without this information.

The customer is solely responsible for the acceptance and the transmission of phone orders.

USE ONLY ORIGINAL SPARE PARTS!

Structure of Spare Parts Catalogue



Motor / Anbaueile èces de montage orios de montaje		10
ision / Actuations ng / Betätigungen ce / Commandes / Accionamientos		20
Brake System Bremsystem		30

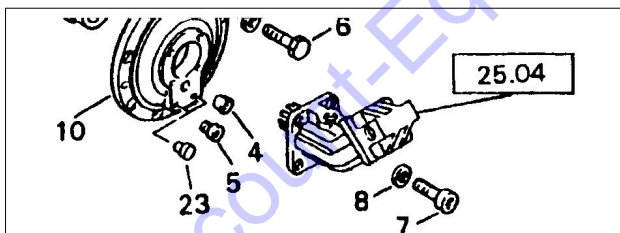
1. Subdivision of the catalogue main assembly groups

11.00	ENGINE PARTS LIST	MOTOREN-ERSATZTEILLISTE
11.01	Crankcase	Kurbelgehäuse
11.02	Front cover	Vorderer Deckel
11.04	Oil pan	Ölwanne
11.05	Cylinder and piston	Zylinder und Kolben
11.06	Crankshaft	Kurbelwelle
11.08	Cylinder head	Zylinderkopf
11.10	Control pieces	Steuerungsteile

2. Subdivision of the main assembly groups.

51.03	BC 671 RB	S/N 1015703
	Frame Rear Rahmen hinten Chassis Arriere Chasis Trasero	
Page Seite	1 / 3	

3. Assembly group consists of several pages. Page 1 of 3 pages.



4. 25.04 = Reference to another assembly group.

161 A	S/N 101640000101 ▶
VIBR.ROLLER DRUM IN FRONT VIBRATIONS BANDAGE VORN BANDAGE DE VIBR.AVANT	

5. Serial number

S/N 101 570 32 1001 ▶ = from serial number.

▶ S/N 101 570 32 1062 = up to serial number.

(Important for spare parts orders!)

05815244	1	TRAVEL MOTOR	FAHRMOTOR
05815976	1	>SEAL KIT	>DICHTUNGSSATZ
05815981	1	>DISTRIBUTOR	>VERTEILER
05815982	1	>>COVER	>>DECKEL
07231649	16	>>SOCKET-HEAD CAP SCRE	>>ZYLINDERSCHRAUBI
05815698	1	>>SEAL/O-RING	>>DICHTRING
07230802	1	>>SOCKET-HEAD CAP SCRE	>>ZYLINDERSCHRAUBI
	1	>>>LOOP RING	>>>RUNDDICHTRING
	1	>>>LOOP RING	>>>RUNDDICHTRING
	1	>>>LOOP RING	>>>RUNDDICHTRING

6. ">" ">>" ">>>" :Parts marked with one or more additional ">" indicate, that one or more parts belong to a higher assembly group. Einheit gehören.

0	05801177	1	CONNECTING PLATE	ANSCHLUSSPLA
18		1	>CONNECTING PLATE	>ANSCHLUSSPLA
19	05801185	1	>COUPLING HUB	>KUPPLUNGSNA
20		4	>SPRING SLEEVE	>FEDERHUELSE
21		4	>PRESSURE SPRING	>DRUCKFEDER
22		4	>SOCKET-HEAD CAP SCRE	>ZYLINDERSCHF
23	06220983	1	>LOOP RING	>RUNDDICHTRI
24	06220821	1	>LOOP RING	>RUNDDICHTRI
25	06220109	1	>LOOP RING	>RUNDDICHTRI
26	06220083	4	>LOOP RING	>RUNDDICHTRI

7. Index: List of Part-No. with reference to the assembly group and position.

BPR 60/65 D

S/N 101692781001

S/N 101692781080

Frequently used parts

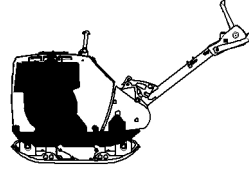


Description	Part no.	see
Filter Elements		
Oil filter	05720023	11.01/1
Filter element	05728309	11.01/2
Fuel filter	05720387	11.21/1
Fuel filter	05723502	11.21/1
Air filter	05724464	11.63/1
Fuel filter	05723502	194.08/1
Air filter	05724464	194.08/1
Seals		
Loop ring	05728108	11.01/1
Sealing ring	05728114	11.01/1
Loop ring	05728121	11.01/1
Loop ring	06220082	11.01/1
Sealing ring	09331088	11.01/1
Sealing ring	09331198	11.01/1
Radial seal	05724246	11.02/1
Loop ring	05728377	11.02/1
Loop ring	06220018	11.02/1
Sealing ring	09331198	11.02/1
Sealing ring	09331658	11.02/1
Gasket	05724285	11.08/1
Cylinder head gasket	05724288	11.08/1
Cylinder head gasket	05724289	11.08/1
Cylinder head gasket	05724290	11.08/1
Cylinder head gasket	05724291	11.08/1
Cylinder head gasket	05724292	11.08/1
Cylinder head gasket	05724293	11.08/1
Cylinder head gasket	05724294	11.08/1
Sealing ring	05728216	11.08/1
Sealing ring	05720062	11.21/1
Loop ring	06220078	11.21/1
Sealing ring	09331628	11.21/1
Loop ring	06220083	11.25/1
Kit,seal,for cyl. head	05724398	11.47/1
Kit,seal,for crankcase	05724399	11.47/1
Sealing washer	05726722	11.67/1
Sealing ring	05728251	11.67/1
Loop ring	05728602	11.67/1
Loop ring	06220017	11.67/1
Loop ring	06220078	11.67/1
Sealing ring	09331050	11.67/1
Loop ring	06221008	153.44/2
Loop ring	06221143	153.44/2
Loop ring	06220994	165.28/2
U-seal	06210610	165.28/3
Loop ring	06220994	165.28/3
Loop ring	06220994	165.28/3
Loop ring	06223305	165.28/3
Radial seal	09312810	165.28/3

BPR 60/65 D	S/N 101692781001 ▶	S/N 101692781080	
Frequently used parts			
			

Description	Part no.	see
Seals		
Sealing ring	Oil dip stick	05728114 194.08/1
Loop ring		06220401 27.14/1
Loop ring		06220530 27.14/1
Loop ring		06220183 27.17/1
Sealing ring		68110147 52.16/2
Loop ring		06220994 65.05/2
U-seal		06210610 65.05/3
Loop ring		06220994 65.05/3
Loop ring		06220994 65.05/3
Loop ring		06223305 65.05/3
Radial seal		09312810 65.05/3
V-Belts		
V-belt		06312296 12.13/1
V-belt		06312296 194.08/1
Filler cap		
Tank lock		05728313 11.21/1
Keys		
Key,ignition		05755124 81.24/1
Fuses		
Flat fuse		05755196 81.24/1
Flat fuse		05755207 81.24/1
Actuations		
Lever		05728219 11.02/1
Ventilation valve		05728628 11.21/1
Scraper		05568996 27.14/1
Housing		69110178 27.14/1
Travel lever		69110188 27.14/2
Lever		69110190 27.14/2

Go to Discount-Equipment.com to [your parts](http://yourparts.com)

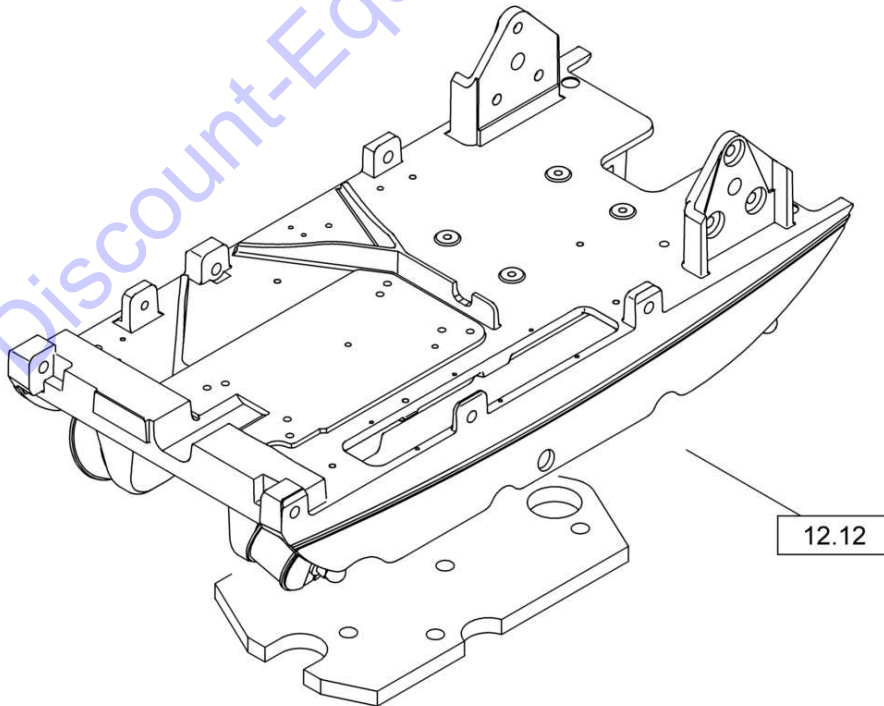
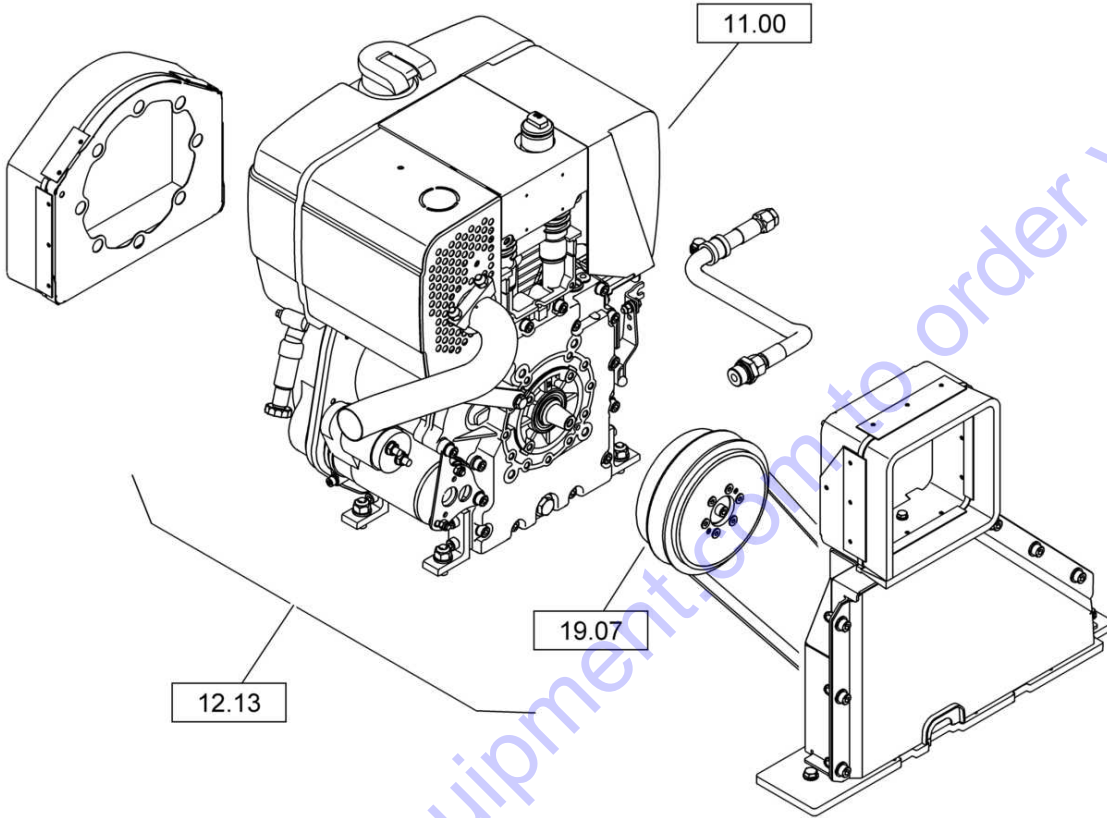


Go to Discount-Equipment.com to order your parts

10.00

Engine / Fitting Parts

Page /




69200062_010_00

Pos. Description


- 11.00 Engine Parts List
- 11.01 Crankcase
- 11.02 Front Cover
- 11.05 Cylinder And Piston
- 11.06 Crankshaft
- 11.08 Cylinder Head
- 11.09 Camshaft
- 11.21 Fuel Tank
- 11.25 Throttle Control
- 11.26 Silencer
- 11.29 Cooling Blower
- 11.30 Cooling Air Duct
- 11.31 Recoil Starter
- 11.34 Generator And Starter
- 11.36 Electrical Equipment
- 11.47 Seal Kit
- 11.48 Maintenance Kit
- 11.63 Aircleaner & Exhaust
- 11.67 Injection Pump & Valve
- 12.12 Engine Carrier
- 12.13 Engine
- 19.07 Centrifugal Clutch

Go to Discount-Equipment.com to order your parts

	Engine no.
11.00	S/N 1101713045102 ▶
Page 1 / 1	Engine Parts List
 BOMAG FAYAT GROUP	

For this catalogue group no illustration.

Go to Discount-Equipment.com to order your parts

Engine no.	
S/N 1101713045102 ▶	
Engine Parts List	11.00
	Page 1 / 1 Seite 1 / 1
	 BOMAG FAYAT GROUP
1001 E	

Pos. Part no. Qty. Description

1 05706416 1 Diesel engine

Go to Discount-Equipment.com to order your parts

Engine no.

S/N 1101713045102 ▶

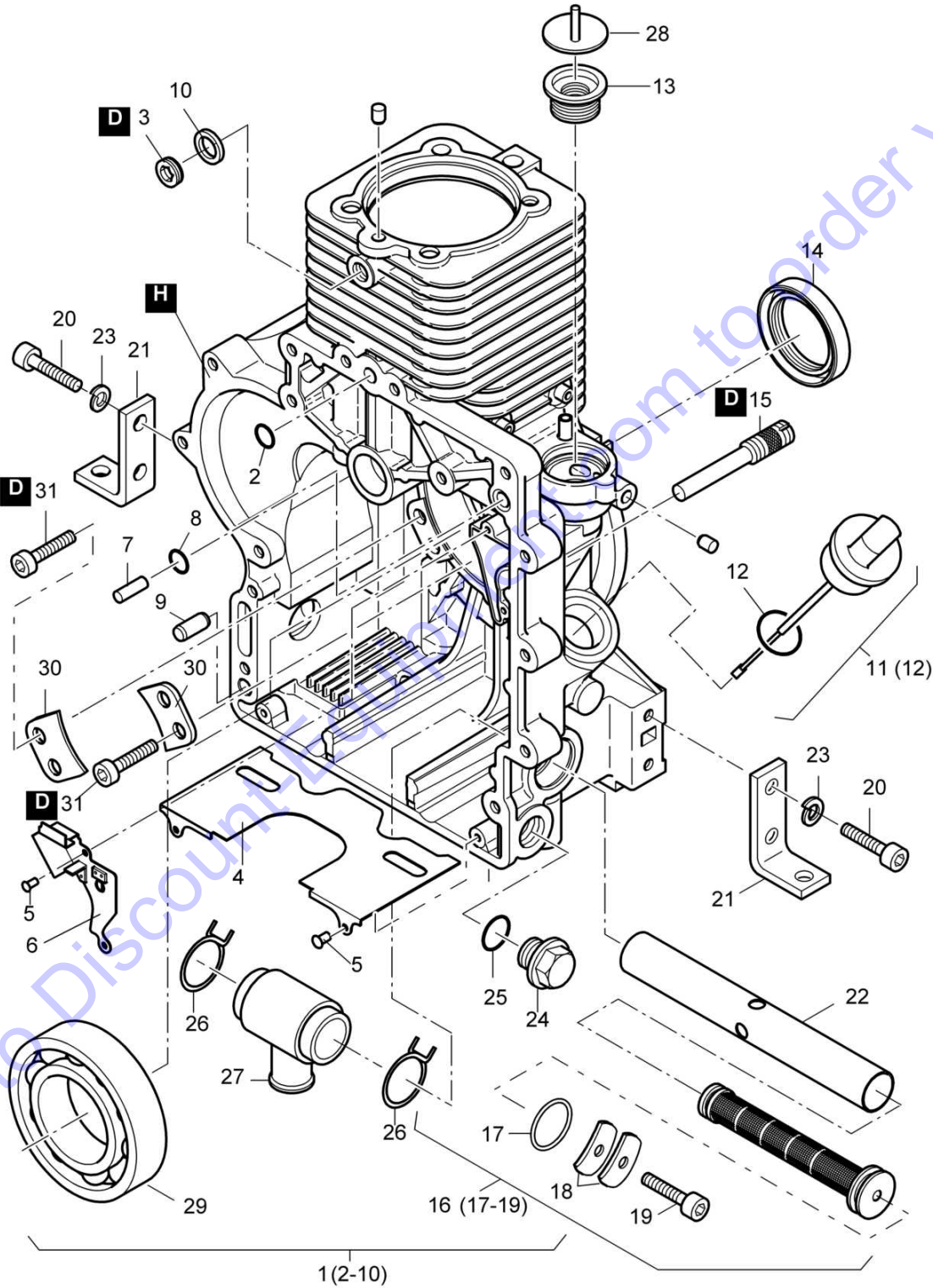
11.01

Crankcase


Page 1 / 2



MOT015894_000_00



mot015894_000

Engine no.	
S/N 1101713045102 ▶	
Crankcase	11.01
	Page 1 / 2
	 BOMAG FAYAT GROUP
MOT015894 1001 E	

Pos. Part no. Qty. Description

1	05724231	1	Crankcase
2	4) 06220082	1	>Loop ring
3	07621010	1	>Screw plug
4	05724232	1	>Air guide
5	05728105	4	>Rivet,blind
6	05724233	1	>Cover plate
7	05728024	1	>Nipple
8	4) 05728108	1	>Loop ring
9	05723458	1	>Pin,cylindric
10	09331088	1	>Sealing ring
11	05724238	1	Oil dip stick
12	4) 05728114	1	Sealing ring
13	05722512	1	Membrane
14	4) 05724236	1	Radial seal
15	05724237	1	Tapped pin
16	05720023	1	Oil filter
17	1) 05728121	1	>Loop ring 4)
18	05728122	2	>Spring
19	07230605	1	>Socket-head cap screw
20	07230831	8	Socket-head cap screw
21	05724240	4	Engine bracket
22	05724241	1	Housing
23	08720814	8	Spring washer
24	07632216	1	Magnetic plug
		1)	Incl. in maintenance kit
		4)	Incl. in gasket set crankcase

continued

Go to Discount-Equipment.com to order your parts

Engine no.

S/N 1101713045102 ▶

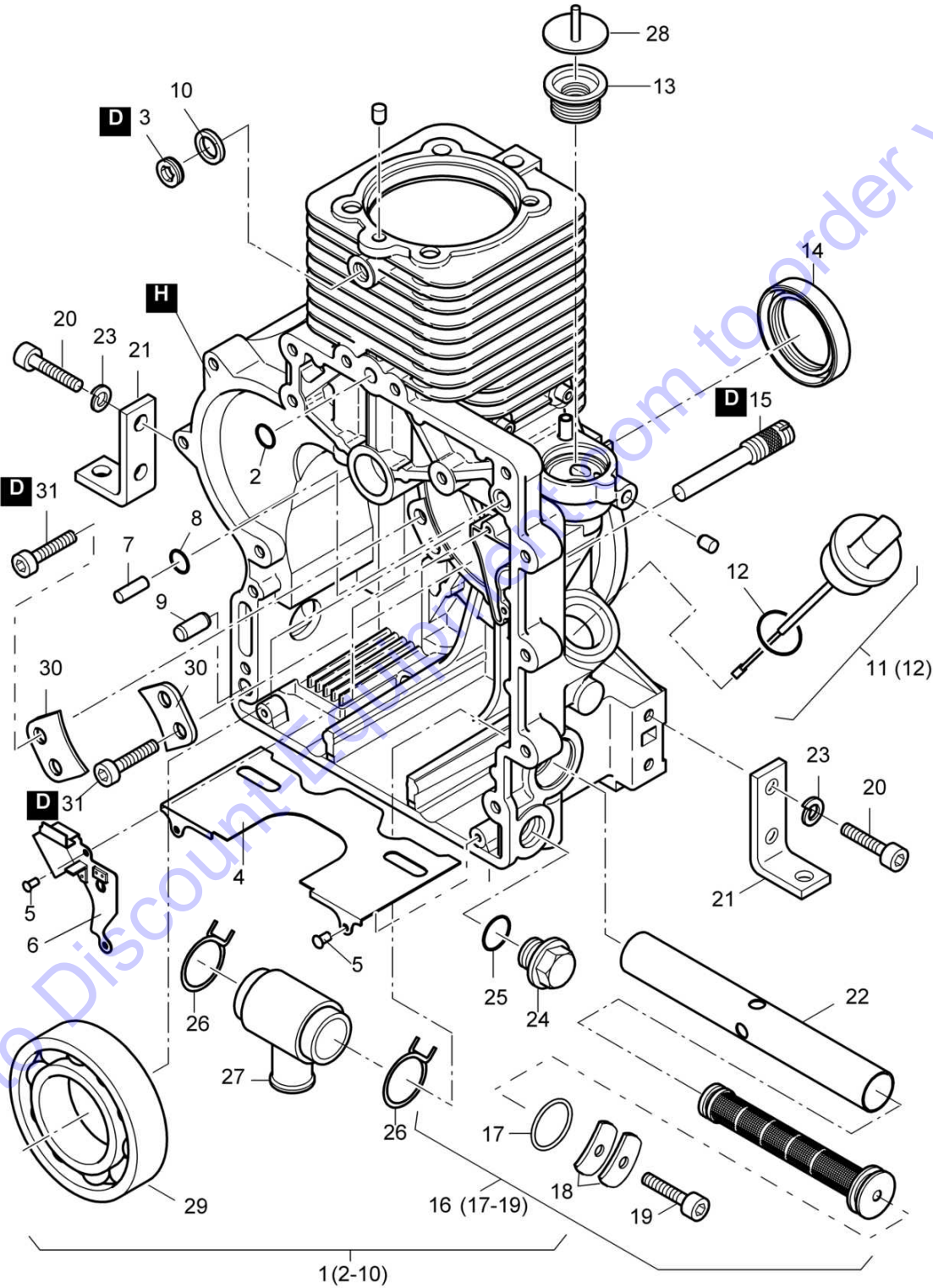
11.01

Crankcase


Page 1 / 2



MOT015894_000_00



mot015894_000

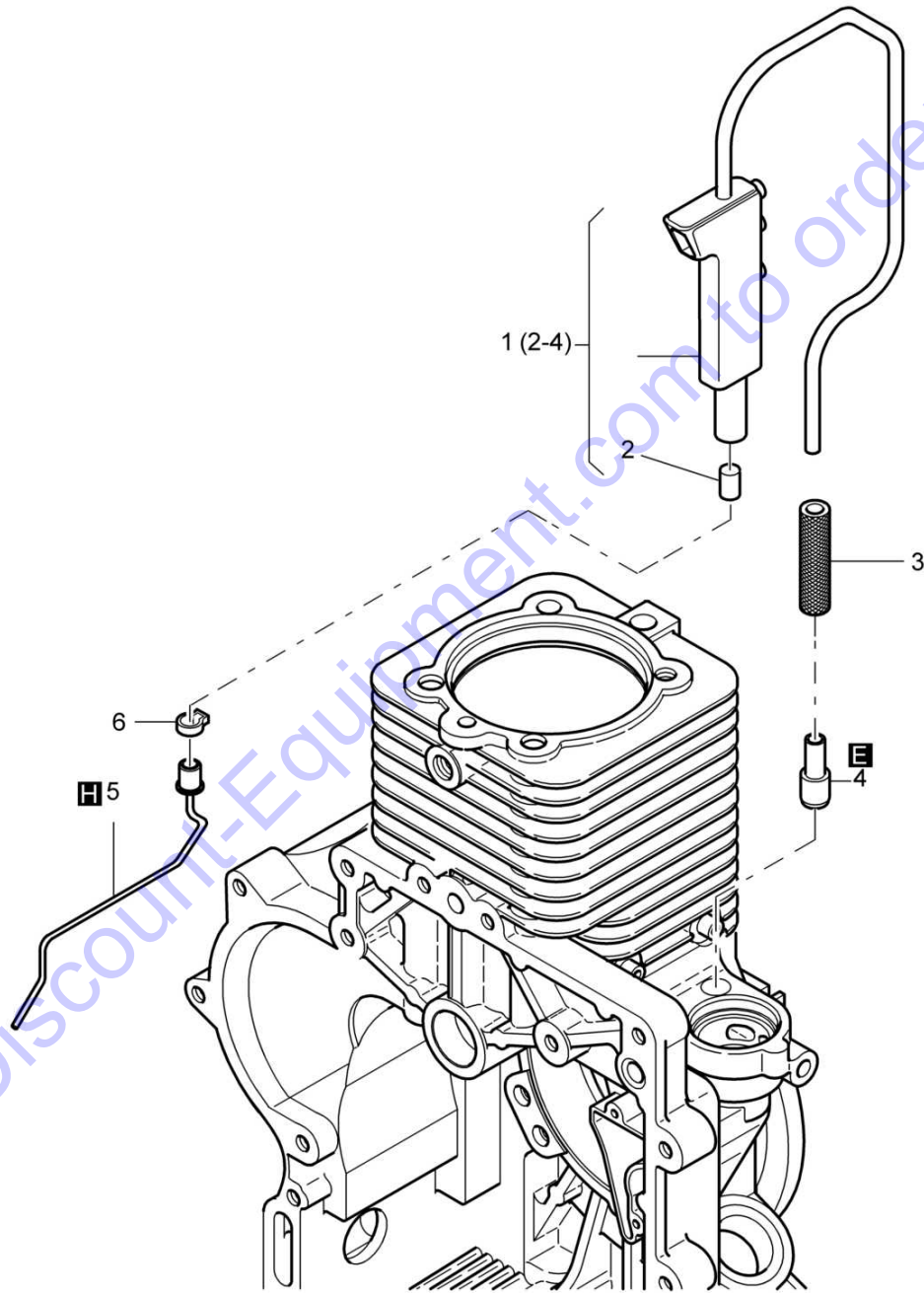
Engine no.	
S/N 1101713045102 ▶	
Crankcase	11.01
	Page 1 / 2
	 BOMAG FAYAT GROUP
MOT015894 1001 E	


Pos.	Part no.	Qty.	Description
------	----------	------	-------------

25	4) 09331198	1	Sealing ring
26	05722090	2	Hose clip
27	05720047	1	T-piece
28	05728120	1	Washer
29	05724239	1	Bearing, ball
30	05724235	3	Joint bar
31	05720142	6	Socket-head cap screw
			Auxiliaries
40	00978006	1,00 kg	Screw lock, middle strength D)
41	00970017	1	Sealing compound H)
		4)	Incl. in gasket set crankcase

Go to Discount-Equipment.com to order your parts

	Engine no.
	S/N 1101713045102 ▶
11.01	Crankcase
Page 2 / 2	
BOMAG FAYAT GROUP	MOT015906_000_00



Engine no.	
S/N 1101713045102 ▶	
Crankcase	11.01
	Page 2 / 2
	 BOMAG FAYAT GROUP
MOT015906 1001 E	

Pos.	Part no.	Qty.	Description
1	05724242	1	Oil separator
2	05728309	1	>Filter element
3	05724243	1	>Fuel pipe
4	05720143	1	>Nipple
5	05724244	1	Suction pipe
6	05722993	1	Hose clip
			Auxiliaries
10	00978000	1,00 kg	Adhesive,heat resisting E)
11	00970017	1	Sealing compound H)

Go to Discount-Equipment.com to order your parts

Engine no.

S/N 1101713045102 ▶

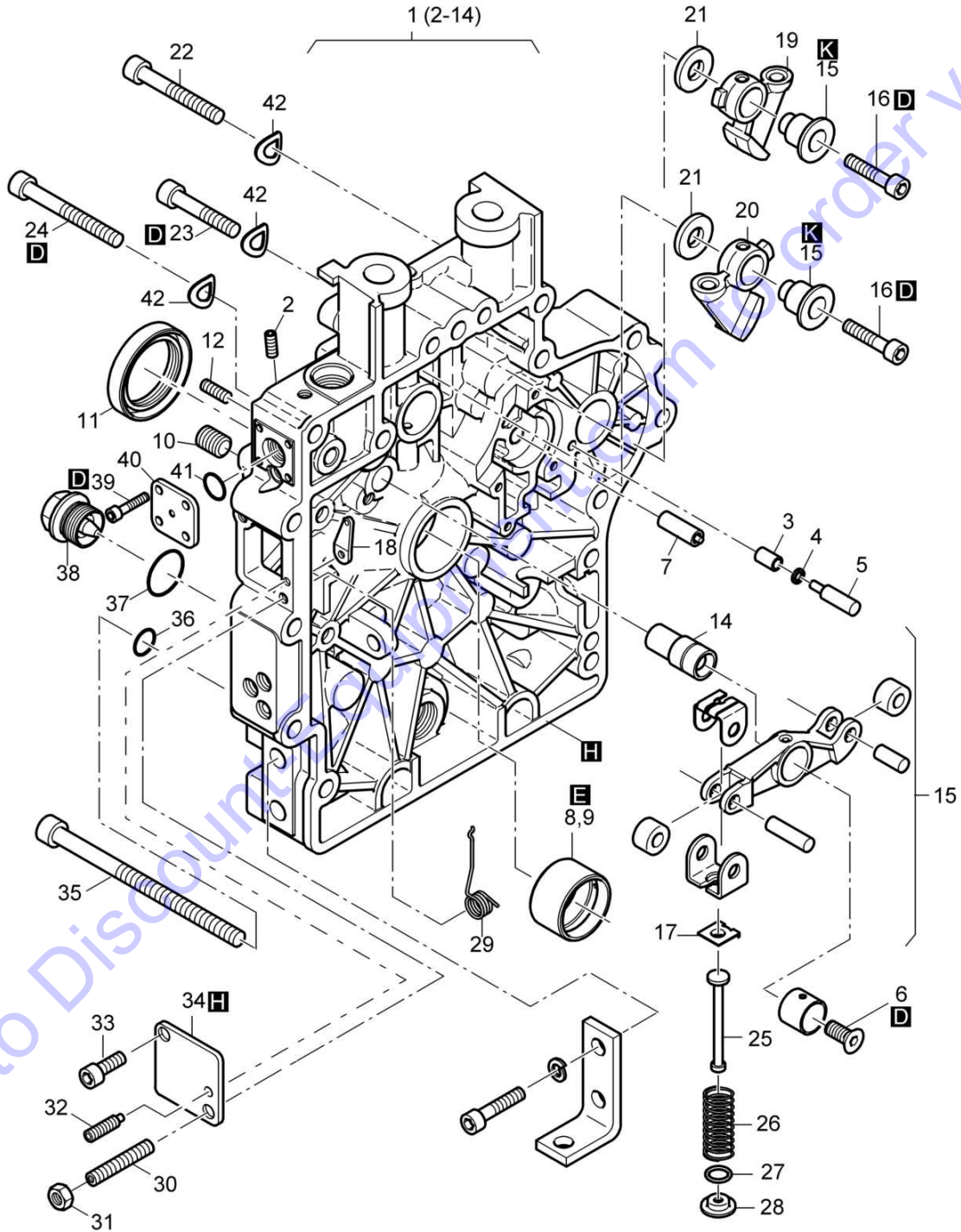
11.02

Front Cover


Page 1 / 1



MOT015900_000_00



mot015900_000

Engine no.	
S/N 1101713045102 ▶	
Front Cover	11.02
	Page 1 / 1
	MOT015900 1001 E 

Pos.	Part no.	Qty.	Description
1	05720494	1	Timing gear cover
2	05728034	1	>Tapped pin
3	05720495	1	>Plug
4	4) 05728377	1	>Loop ring
5	05720496	1	>Plug
6	05720622	1	>Countersunk screw
7	05724248	1	>Bolt
8	05724249	1	>Main bearing
9	05720144	1	>Bearing -0,5mm
10	05720051	4	>Tapped pin
11	4) 05724246	1	>Radial seal
12	07760502	2	>Tapped pin
14	05720198	1	>Bearing bush
15	05722034	2	Axle
16	07230621	2	Socket-head cap screw
17	05724250	1	Spring cup
18	05728219	1	Lever
19	05724251	1	Cam follower
20	05724254	1	Cam follower
21	05722033	2	Washer
22	07230838	2	Socket-head cap screw
23	07230831	2	Socket-head cap screw
24	07230842	11	Socket-head cap screw
25	05728621	1	Draw bar
26	05728212	1	Spring
27	05728214	1	Washer
28	05728211	1	Spring cup
29	05728213	1	Governor spring
30	05724255	1	Tapped pin
31	08110620	1	Hexagon nut
32	05724256	1	Tapped pin
33	07230601	1	Socket-head cap screw
34	05728215	1	Cover
35	05724257	2	Socket-head cap screw

4) Incl. in gasket set crankcase

continued

Go to Discount-Equipment.com to order your parts

Engine no.

S/N 1101713045102 ▶

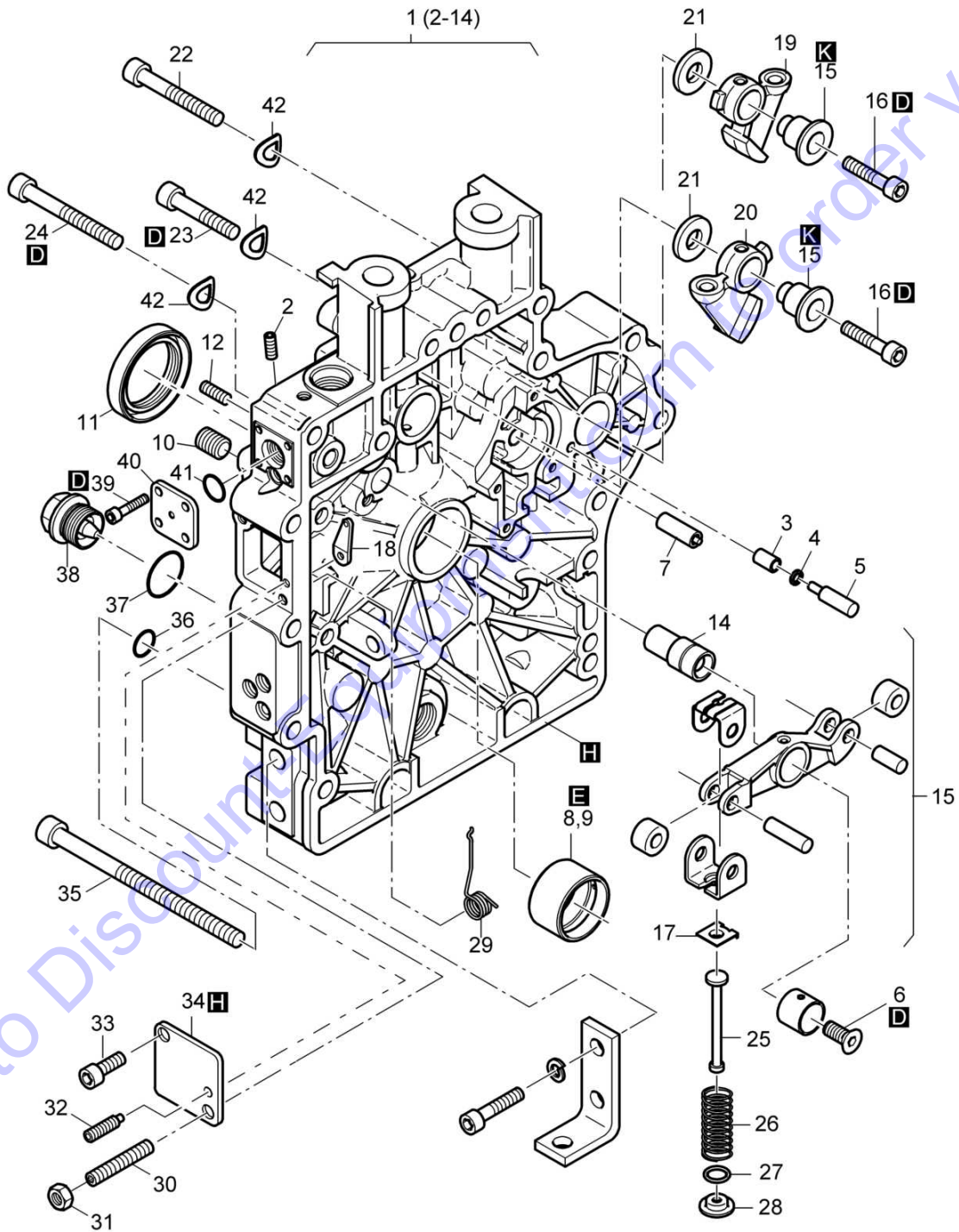
11.02

Front Cover


Page 1 / 1



MOT015900_000_00



mot015900_000

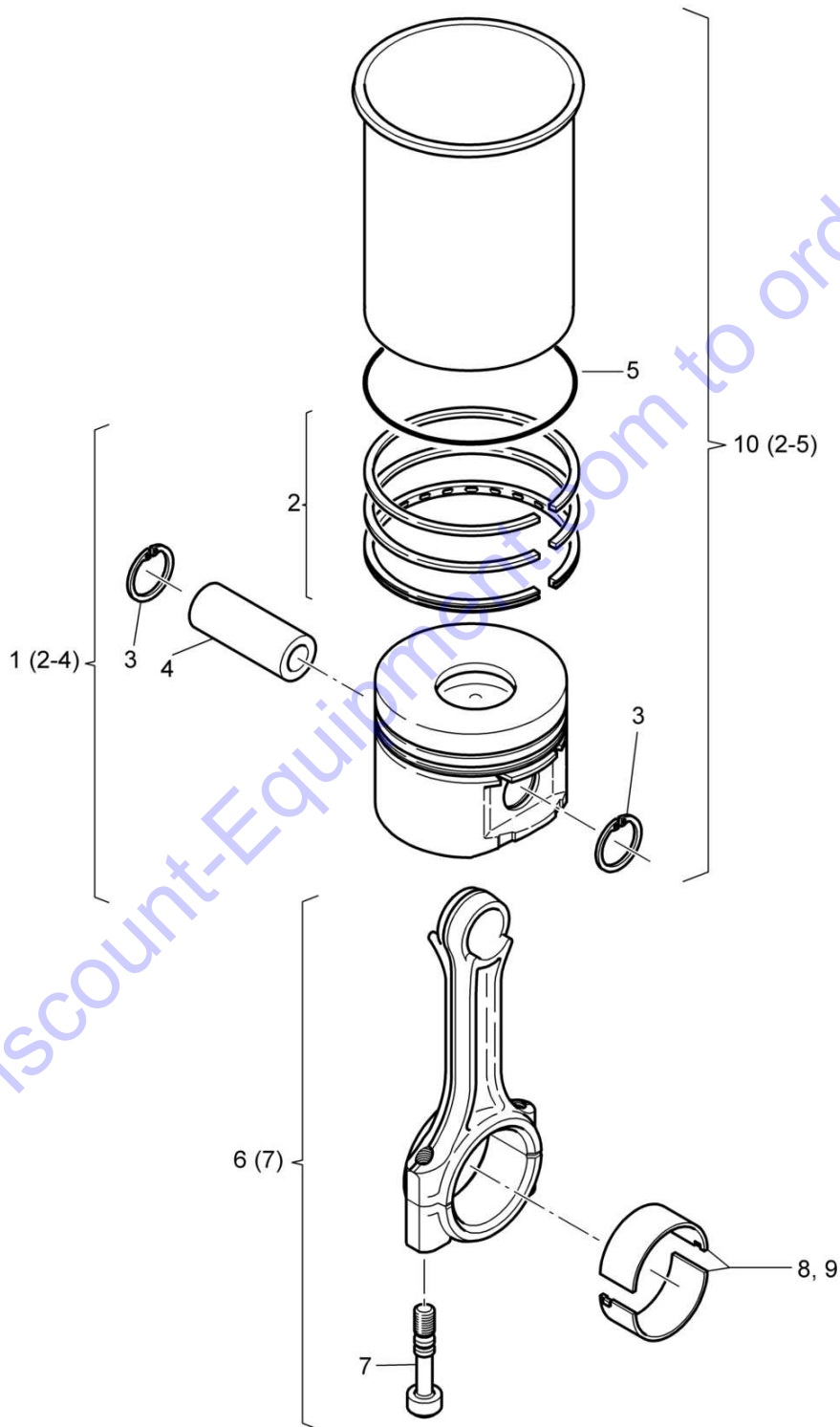
Engine no.	
S/N 1101713045102 ▶	
Front Cover	11.02
	Page 1 / 1
	
	MOT015900 1001 E

Pos. Part no. Qty. Description


36	4)	09331658	2	Sealing ring
37	1)	09331198	1	Sealing ring 4)
38	1)	07632216	1	Magnetic plug
39		05722463	4	Socket-head cap screw
40		05724184	1	Cover
41	4)	06220018	1	Loop ring
42		08641084	15	Spring washer
50		00978006	1,00 kg	Auxiliaries Screw lock, middle strength D)
51		00978000	1,00 kg	Adhesive,heat resisting E)
52		00970017	1	Sealing compound H)
53		05721037	1	Grease,special K)
			4)	Incl. in gasket set crankcase
			1)	Incl. in maintenance kit

Go to Discount-Equipment.com to order your parts

	Engine no.
	S/N 1101713045102 ▶
11.05	Cylinder And Piston
Page 1 / 1	
BOMAG FAYAT GROUP	MOT015897_000_00




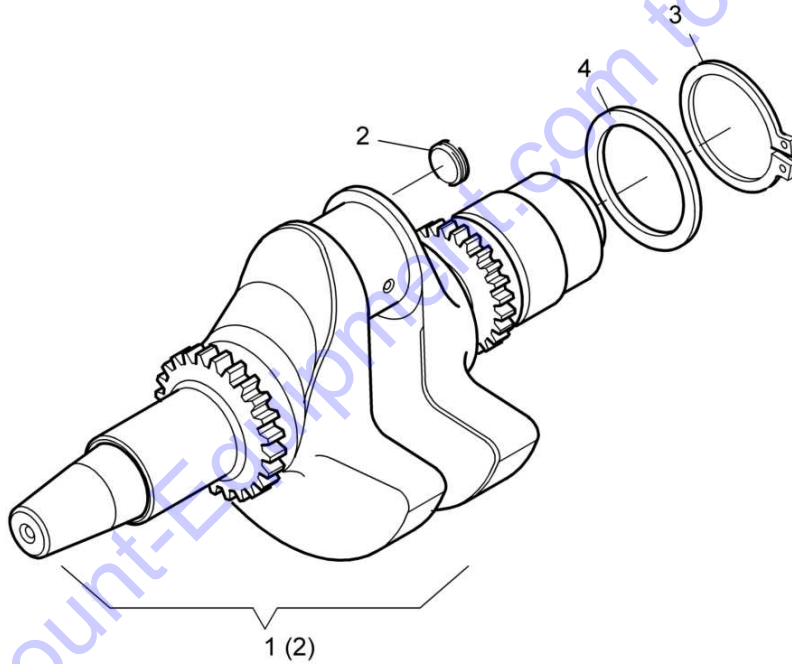
mot015897_000


Engine no.	
S/N 1101713045102 ▶	
Cylinder And Piston	11.05
	Page 1 / 1
	 BOMAG FAYAT GROUP
MOT015897 1001 E	

Pos.	Part no.	Qty.	Description
1	05720145	1	Piston 88mm
2	05720146	1	>Piston ring set 88mm
3	05724259	2	>Circlip
4	05720147	1	>Floating wrist pin
5	05724262	1	Loop ring
6	05724264	1	Conrod
7	05720014	2	>Conrod screw
8	05724265	1	PAIR Conrod bearing
9	05724266	1	PAIR Conrod bearing -0,5 mm
10	05720148	1	Cylinder and piston incl. Pos. 2-5

Go to Discount-Equipment.com to order your parts

	Engine no.
11.06	S/N 1101713045102 ▶
Page 1 / 1	Crankshaft
 BOMAG FAYAT GROUP	MOT015895_000_00



Engine no.	
S/N 1101713045102 ▶	
Crankshaft	11.06
	Page 1 / 1
	 BOMAG <small>FAYAT GROUP</small>
MOT015895 1001 E	

Pos. Part no. Qty. Description

1	05720489	1	Crankshaft
2	05720588	1	>Cover
3	05724270	1	Circlip
4	05724269	1	Supporting disc

Go to Discount-Equipment.com to order your parts

Engine no.

S/N 1101713045102 ▶

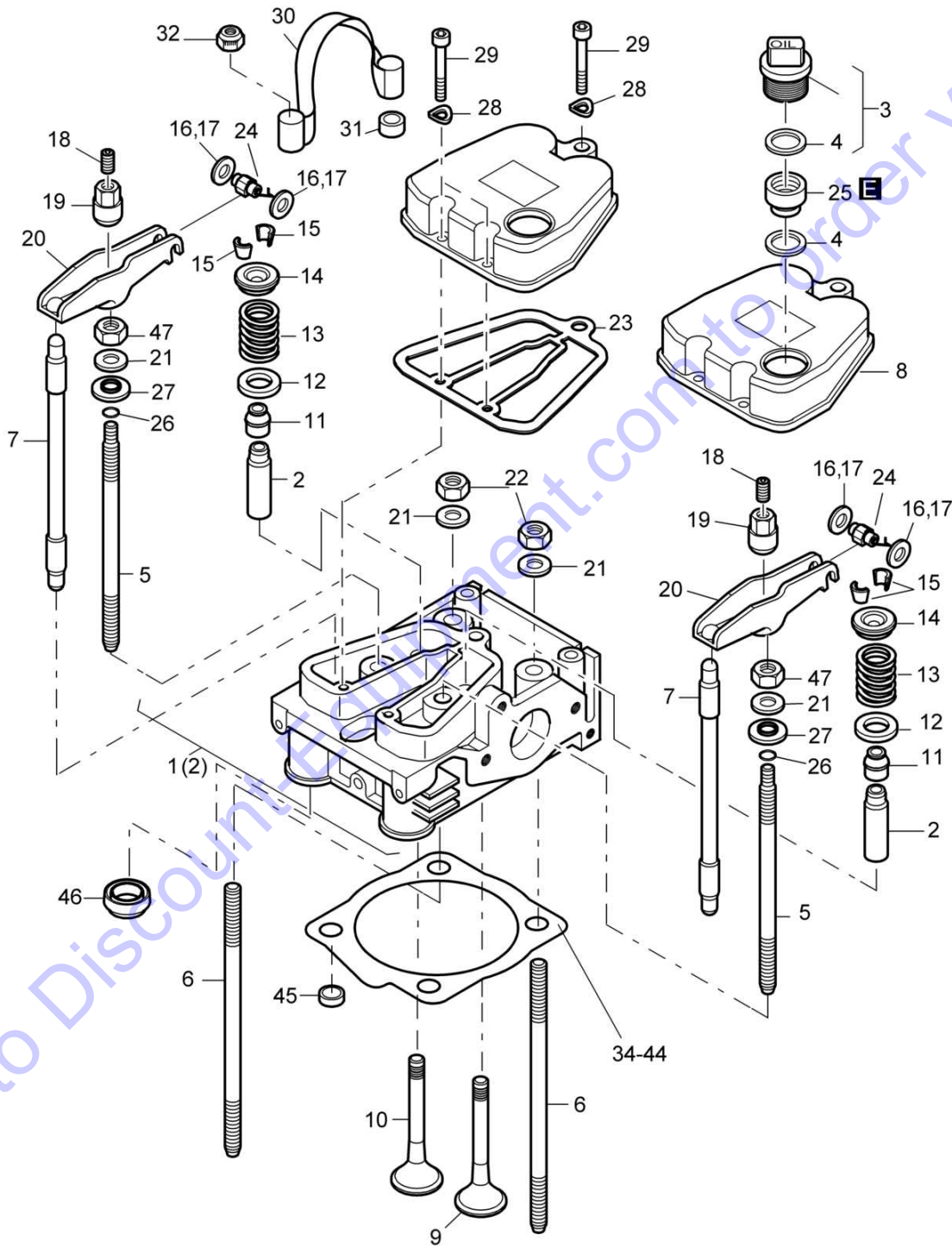
11.08


Cylinder Head

Page **1 / 1**



MOT015898_000_00



Engine no.	
S/N 1101713045102 ▶	
Cylinder Head	11.08
	Page 1 / 1
	
	MOT015898 1001 E

Pos.	Part no.	Qty.	Description
1	05720149	1	Cylinder head
2	05724273	2	>Valve guide
3	05728014	1	Filler cap
4	05720199	2	>Sealing ring
5	05724275	2	Pin screw 149 mm
6	05724276	2	Pin screw 155 mm
7	05720591	2	Push rod
8	05720490	1	Cylinder head cover
9	05724279	1	Valve cone,inlet
10	05724280	1	Valve cone,outlet
11	2) 05728155	2	Valve stem seal
12	05724281	2	Washer
13	05724282	2	Valve spring
14	05724283	2	Spring cup
15	05728159	2	Valve cone
16	05720049	1	Shim
17	05728160	1	Supporting disc
18	1) 05728030	2	Tapped pin
19	05728162	2	Nut
20	05724284	2	Rocker arm
21	05728418	4	Supporting pipe
22	08111016	2	Hexagon nut

1) Incl. in maintenance kit

2) Incl. in gasket set for 1 cylinder head

continued

Go to Discount-Equipment.com to order your parts

Engine no.

S/N 1101713045102 ▶

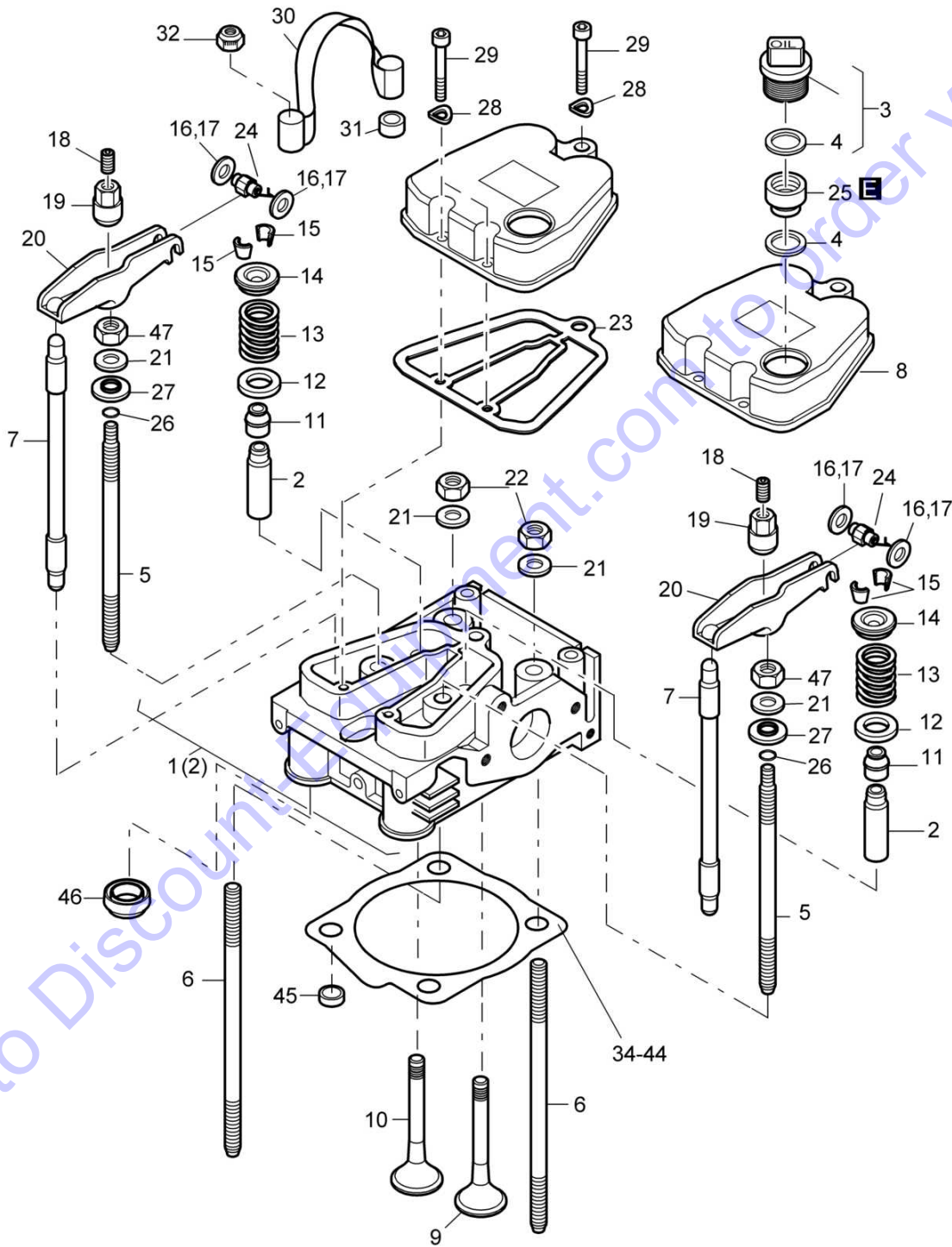
11.08

Cylinder Head


Page **1 / 1**



MOT015898_000_00



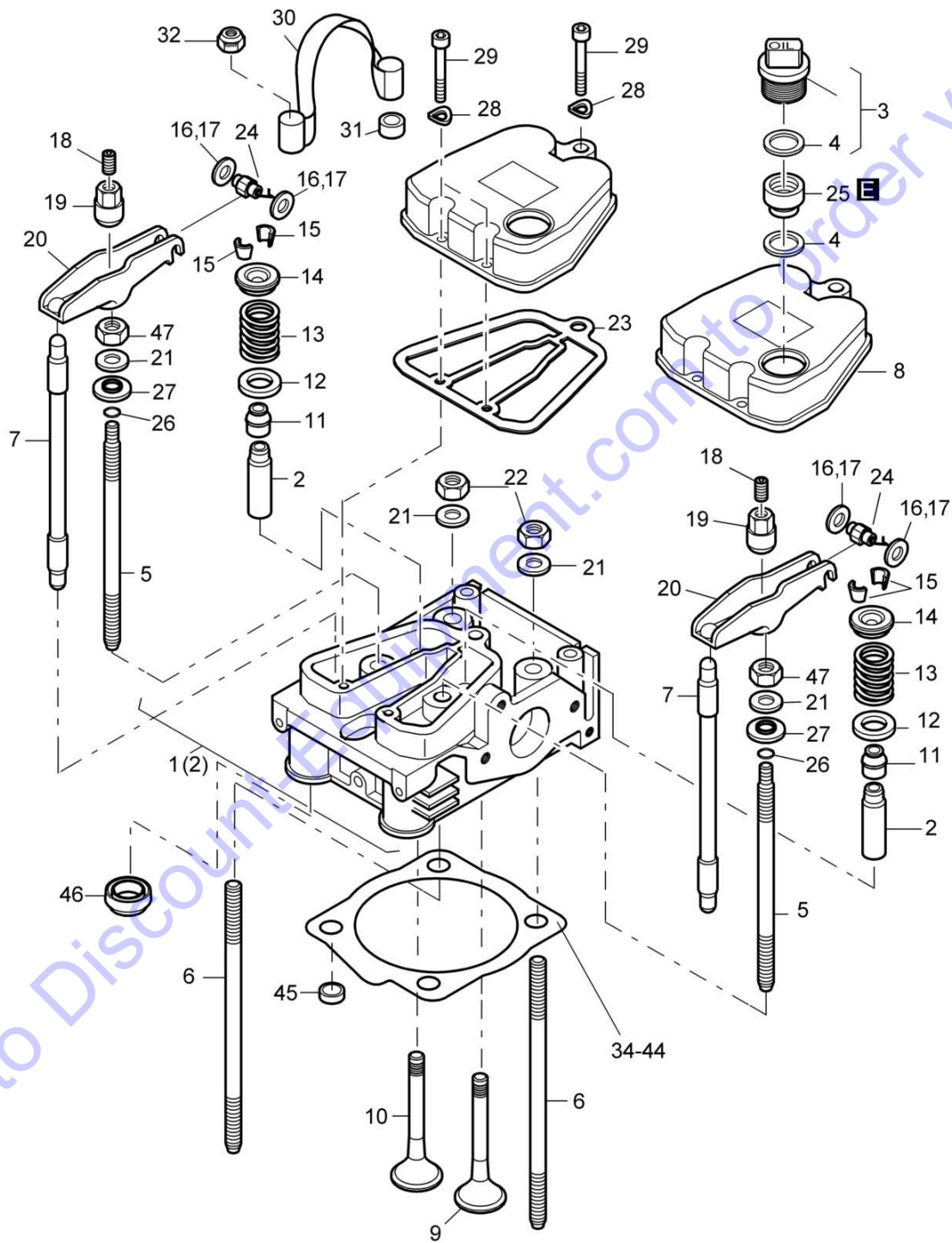
mot015898_000

Engine no.	
S/N 1101713045102 ▶	
Cylinder Head	11.08
	Page 1 / 1
	
	MOT015898 1001 E


Pos.	Part no.	Qty.	Description
23	1) 05724285	1	Gasket 2)
24	05720571	2	Sliding nut
25	05720280	1	Extension
26	2) 05720589	2	Loop ring
27	2) 05720590	2	Washer
28	08641064	3	Spring washer
29	07230692	3	Socket-head cap screw
30	05728421	1	Belt
31	05728432	2	Protection hose
32	05727286	2	Safety nut
34	05720150	1	Gasket 0,45 mm
35	05724288	1	Cylinder head gasket 0,40 mm
36	05720151	1	Gasket 0,55 mm
37	05724289	1	Cylinder head gasket 0,50 mm
38	05720152	1	Gasket 0,65 mm
39	2) 05724290	1	Cylinder head gasket 0,60 mm
40	05720153	1	Gasket 0,75 mm
41	2) 05724291	1	Cylinder head gasket 0,70 mm
42	05724292	1	Cylinder head gasket 0,80 mm
43	05724293	1	Cylinder head gasket 0,90 mm
		2)	Incl. in gasket set for 1 cylinder head
		1)	Incl. in maintenance kit

continued

	Engine no.
11.08	S/N 1101713045102 ▶
Page 1 / 1	Cylinder Head
BOMAG FAYAT GROUP	MOT015898_000_00



Go to DiscountMachinery.com to order your parts

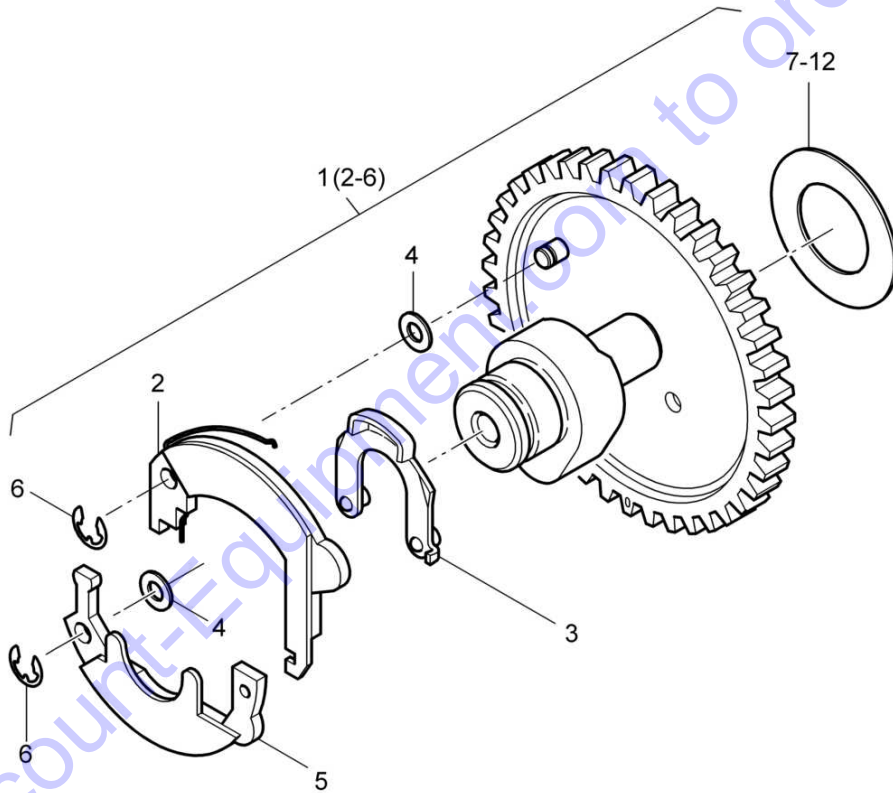
Engine no.	
S/N 1101713045102 ▶	
Cylinder Head	11.08
	Page 1 / 1
	 BOMAG FAYAT GROUP
MOT015898 1001 E	


Pos.	Part no.	Qty.	Description
------	----------	------	-------------

44	05724294	1	Cylinder head gasket 1,00 mm
45	05724274	2	Centering bush
46	2) 05728216	2	Sealing ring
50	00978000	1,00 kg	Auxiliaries Adhesive,heat resisting E)
		2)	Incl. in gasket set for 1 cylinder head

Go to Discount-Equipment.com to order your parts

	Engine no.
	S/N 1101713045102 ▶
11.09	Camshaft
Page 1 / 1	
BOMAG FAYAT GROUP	MOT015896_000_00



Engine no.	
S/N 1101713045102 ▶	
Camshaft	11.09
	Page 1 / 1
	 BOMAG FAYAT GROUP
MOT015896 1001 E	

Pos. Part no. Qty. Description

1	05720592	1	Camshaft
2	05728132	1	>Centrifugal weight
3	05728130	1	>Bow
4	05525003	2	>Shim
5	05728131	1	>Centrifugal weight
6	05727269	2	>Safety washer
7	05728133	1	Washer 0,90 mm
8	05728134	1	Washer 1,00 mm
9	05728135	1	Washer 1,10 mm
10	05728136	1	Washer 1,20 mm
11	05728137	1	Washer 1,30 mm
12	05728138	1	Washer 1,40 mm

Go to Discount-Equipment.com to order your parts

Engine no.

S/N 1101713045102 ▶

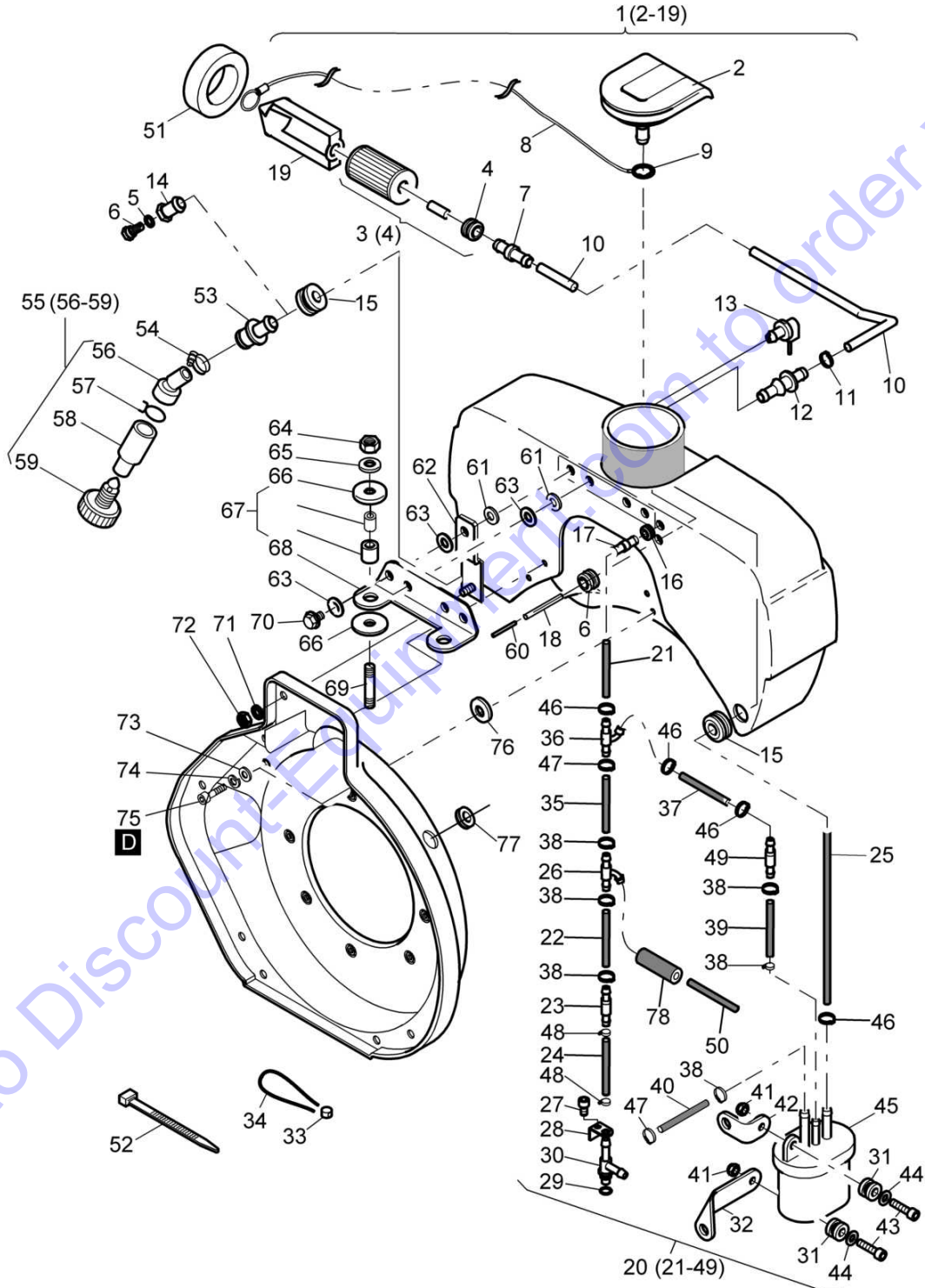
11.21

Fuel Tank


Page 1 / 1



MOT015907_000_00



mot015907_000

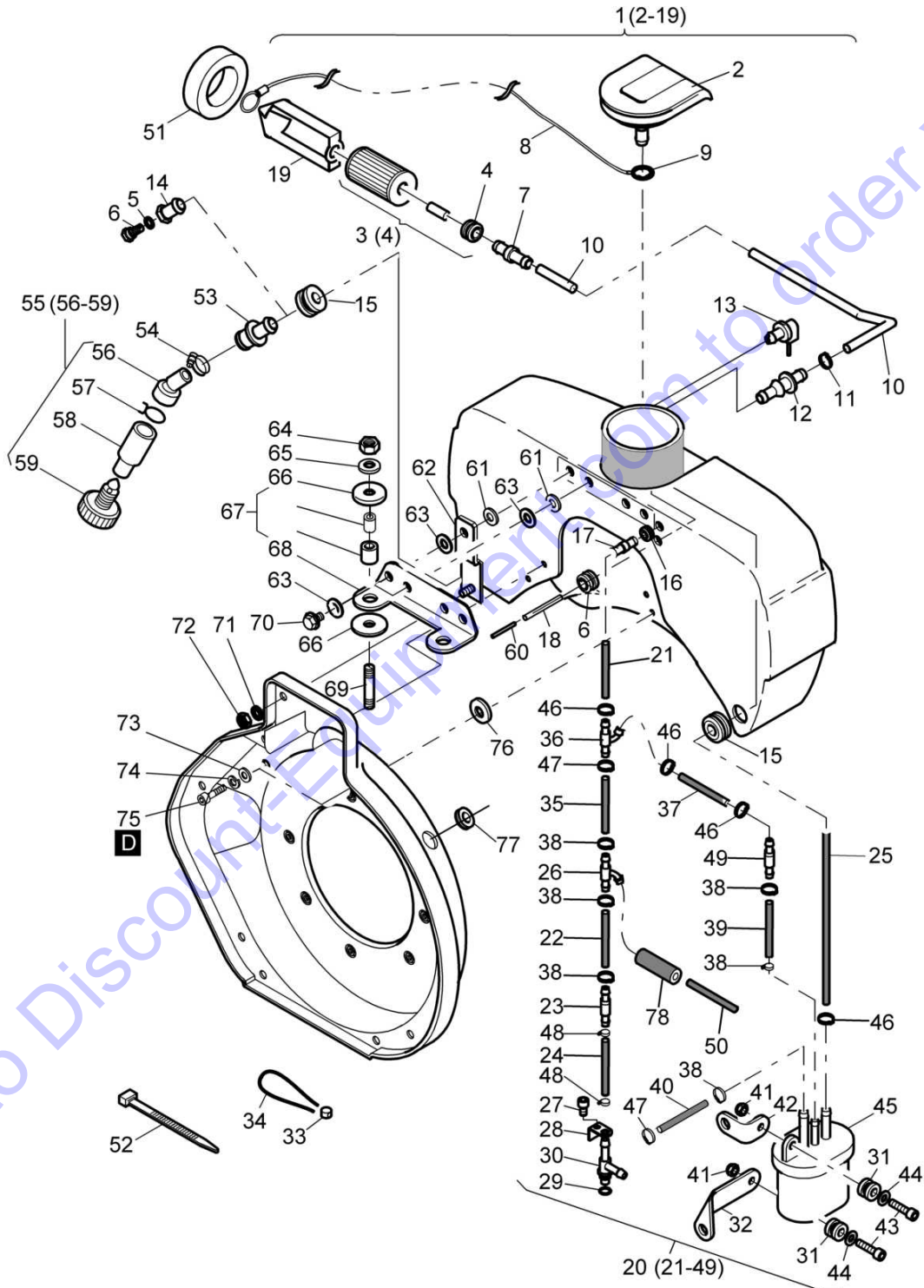
Engine no.	
S/N 1101713045102 ▶	
Fuel Tank	11.21
	Page 1 / 1
	MOT015907 1001 E 


Pos.	Part no.	Qty.	Description
1	05720719	1	Fuel tank
2	05728313	1	>Tank lock
3	1) 05723502	1	>Fuel filter
4	05728327	2	>Rubber grommet
5	09331628	1	>Sealing ring
6	05726802	1	>Bleeder screw
7	05728039	1	>Nipple
8	05728037	1	>Retaining band ca. 440mm
9	05728036	1	>Retainer ring
10	05720154	1	>Fuel hose
11	05728344	1	>Hose clip
12	05728038	1	>Nipple
13	05728318	1	>Ventilation valve
14	05728041	1	>Nipple
15	05728322	2	>Rubber grommet
16	05728326	1	>Rubber grommet
17	05728045	1	>Nipple
18	05724297	1	>Bleeding tube
19	05720270	1	>Holder
20	05720720	1	Fuel pipe
21	05720155	1	>Fuel hose
22	05720156	1	>Fuel hose
23	05728325	1	>Ventilation valve
24	05720543	1	>Fuel pipe
25	05720386	1	>Fuel pipe
26	05728042	1	>Hose nipple
27	05720604	1	>Socket-head cap screw
28	05720542	1	>Hold-down
29	06220078	1	>Loop ring
30	05720077	1	>Nipple
31	05720579	2	>Rubber grommet
32	05720594	1	>Angle
33	05722630	1	>Lead seal
34	05722631	1	>Lead seal wire

1) Incl. in maintenance kit

continued

	Engine no.
11.21	S/N 1101713045102 ▶
Page 1 / 1	Fuel Tank
BOMAG FAYAT GROUP	MOT015907_000_00



Engine no.	
	S/N 1101713045102 ▶
Fuel Tank	11.21
	Page 1 / 1
	MOT015907 1001 E 

Pos.	Part no.	Qty.	Description
35	05720679	1	>Fuel pipe
36	05728619	1	>Hose nipple
37	05720155	1	>Fuel hose
38	05720677	6	>Hose clip
39	05720158	1	>Fuel hose
40	05720158	1	>Fuel hose
41	08130408	2	>Safety nut
42	05720577	1	>Angle
43	05728554	2	>Socket-head cap screw
44	05728288	2	>Washer
45	05720387	1	>Fuel filter
46	05728344	4	>Hose clip
47	05728009	2	>Hose clip
48	05720677	2	>Hose clip
49	05728628	1	>Ventilation valve
50	05720549	1	Hose
51	05720062	1	Sealing ring
52	05722524	2	Cable binder
53	05720721	1	Connecting piece
54	05821239	1	Hose clip
55	05821240	1	Water separator
56	05722092	1	>Adapter
57	05722090	1	>Hose clip
58	05722091	1	>Water separator
59	05722094	1	>Screw plug
60	05720722	1	Tube
61	08621064	4	Washer
62	05728338	2	Support
63	05728339	10	Washer
64	05727284	2	Safety nut
65	08510817	2	Washer
66	05728329	4	Washer
67	05728687	2	Sleeve
68	05724341	1	Angle
69	07510816	2	Pin screw
70	05728340	4	Hexagon bolt
71	08720611	2	Spring washer
72	05720157	2	Hexagon bolt
73	08621064	4	Washer
74	08720611	4	Spring washer
75	07230693	4	Socket-head cap screw
76	05728304	2	Washer
77	05728299	1	Rubber grommet
78	05720106	1	Fuel pipe
			Auxiliaries
80	00978006	1,00 kg	Screw lock, middle strength D)

Go to Dipoint-Equipment.com to order your parts

Engine no.

S/N 1101713045102 ▶

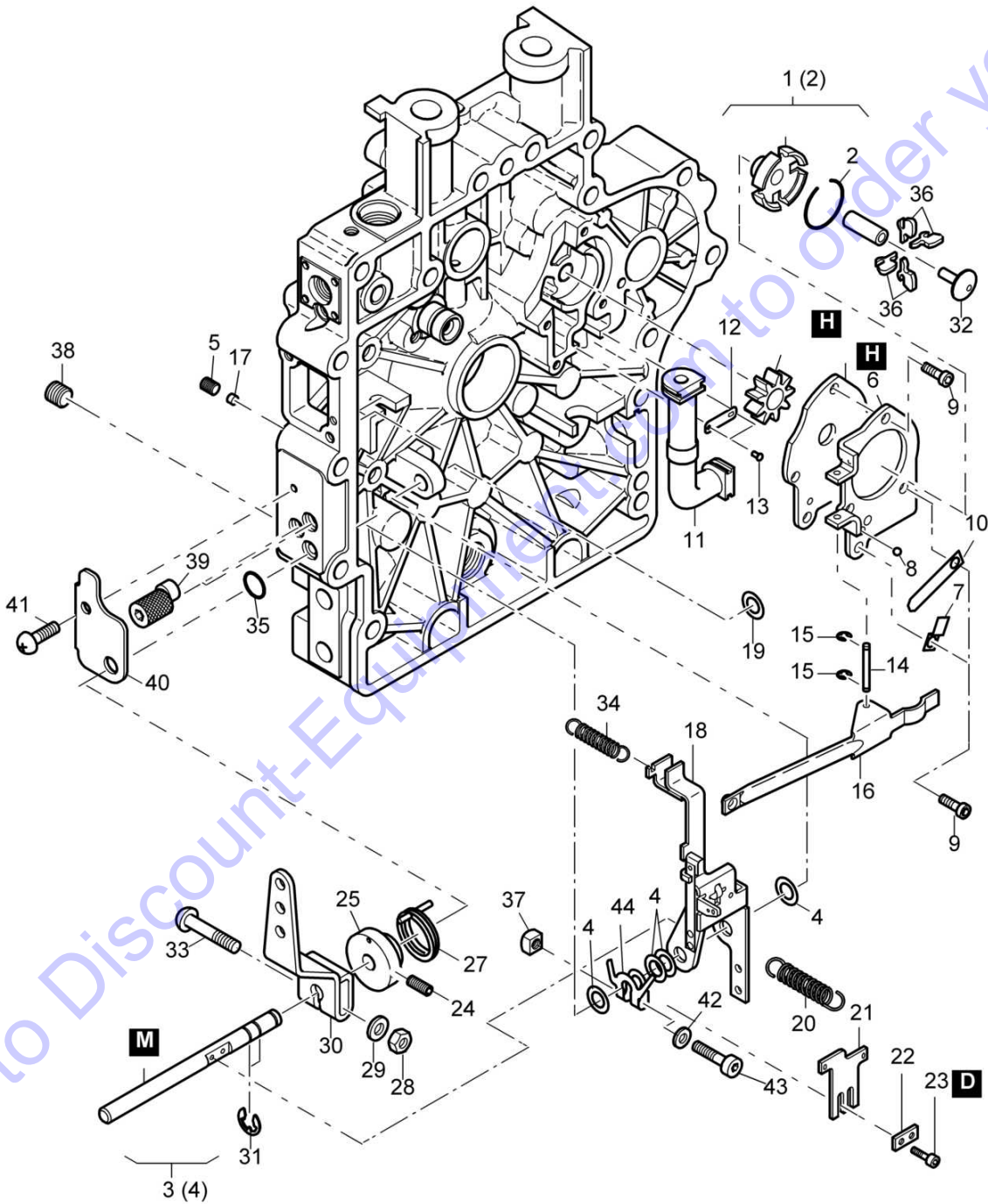
11.25

Throttle Control


Page 1 / 1



MOT015899_000_00



mot015899_000

Engine no.	
S/N 1101713045102 ▶	
Throttle Control	11.25
	Page 1 / 1
	MOT015899 1001 E 

Pos. Part no. Qty. Description

1	05720623	1	Oil pump cover
2	05720624	1	>Spring ring
3	05720429	1	Shaft
4	05520002	4	>Shim
5	05720454	1	Tapped pin
6	05720160	1	Cover
7	05728179	1	Angle
8	05728180	1	Ball
9	07240504	4	Socket-head cap screw
10	05728181	1	Spring
11	05724347	1	Oil tube
12	05724348	1	Lead
13	05728105	2	Rivet,blind
14	05728185	1	Bolt
15	05728186	2	Safety washer
16	05720491	1	Reversing lever
17	05720455	1	Plug
18	05728678	1	Governor lever
19	05520001	1	Shim
20	05720492	1	Governor spring
21	05728202	1	Stop
22	05728189	1	Intermediate plate
23	07230308	2	Socket-head cap screw
24	07760502	1	Tapped pin
25	05724191	1	Bushing
27	05724192	1	Yoke spring
28	08110620	1	Hexagon nut
29	08510612	1	Washer
30	05728192	1	Lever
31	05727276	2	Safety washer
32	05728199	1	Governor sleeve
33	05723019	1	Button headed screw
34	05720107	1	Tension spring
35	4) 06220083	1	Loop ring
36	05720626	1	Centrifugal weight

4) Incl. in gasket set crankcase

continued

Go to Discount-Equipment.com to order your parts

Engine no.

S/N 1101713045102 ▶

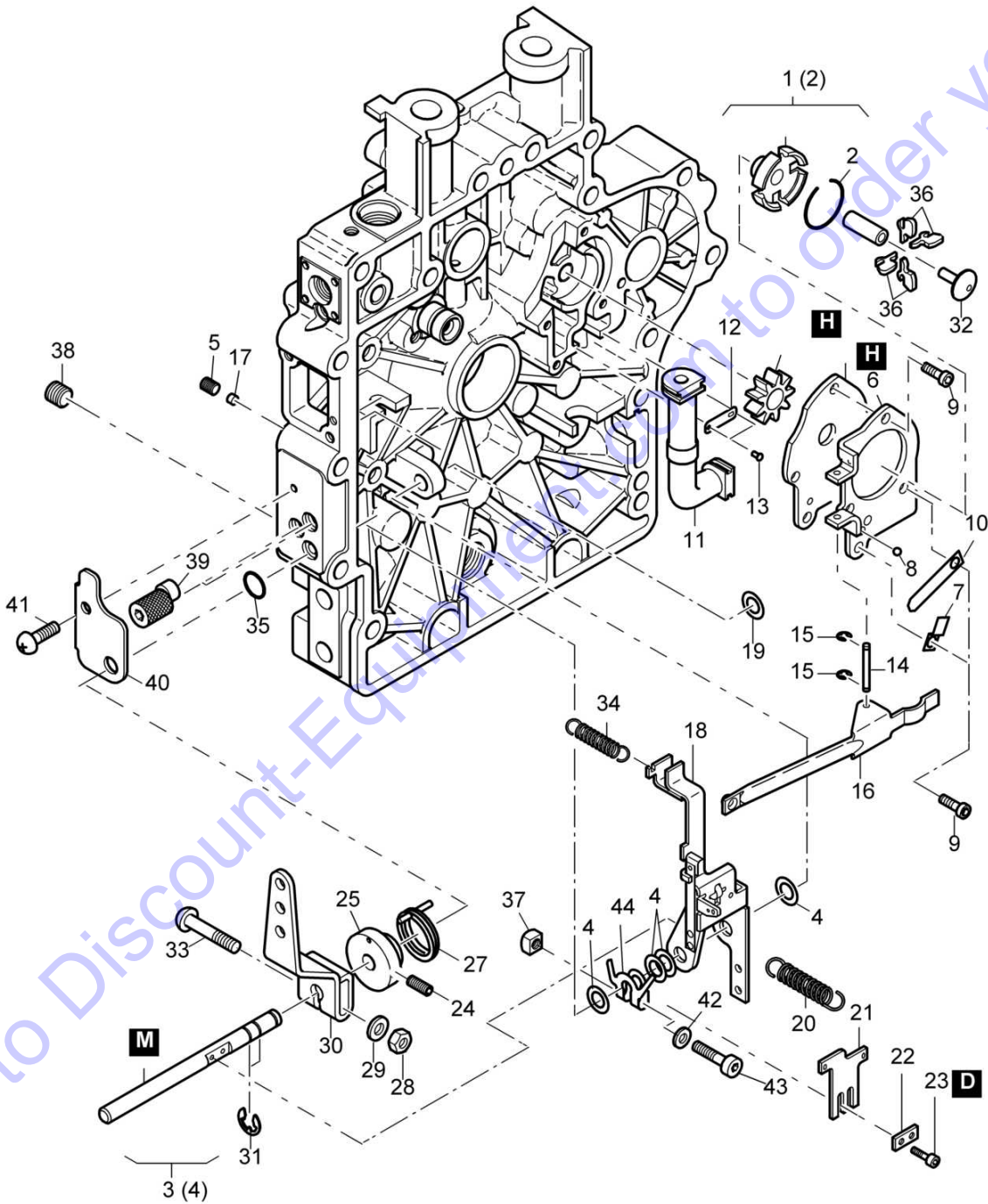
11.25

Throttle Control


Page 1 / 1



MOT015899_000_00



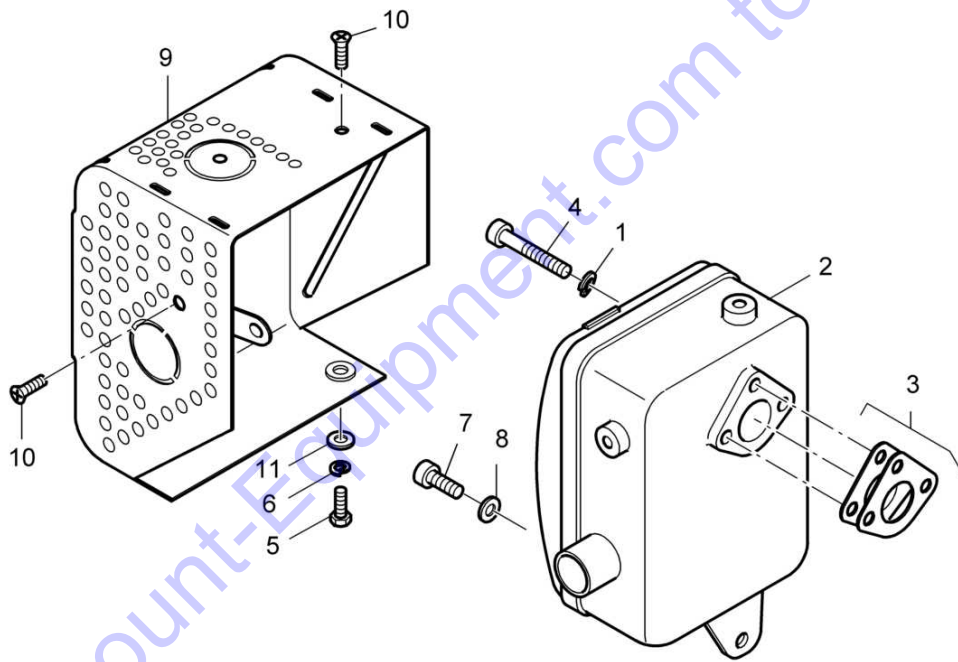
mot015899_000


Engine no.	
S/N 1101713045102 ▶	
Throttle Control	11.25
	Page 1 / 1
	MOT015899 1001 E 

Pos.	Part no.	Qty.	Description
37	05728071	1	Nut
38	07551000	1	Tapped pin
39	05724193	2	Eccentric bolt
40	05728068	1	Supporting plate
41	05728069	1	Button headed screw
42	08510511	1	Washer
43	05728073	1	Socket-head cap screw
44	05728072	1	Clamping bow
			Auxiliaries
45	00978006	1,00 kg	Screw lock, middle strength D)
46	00970017	1	Sealing compound H)
47	00978023	1	Grinding paste M)

Go to Discount-Equipment.com to order your parts

	Engine no.	
	S/N 1101713045102 ▶	
11.26	Silencer	
Page 1 / 1		
BOMAG FAYAT GROUP		
		MOT015909_000_00



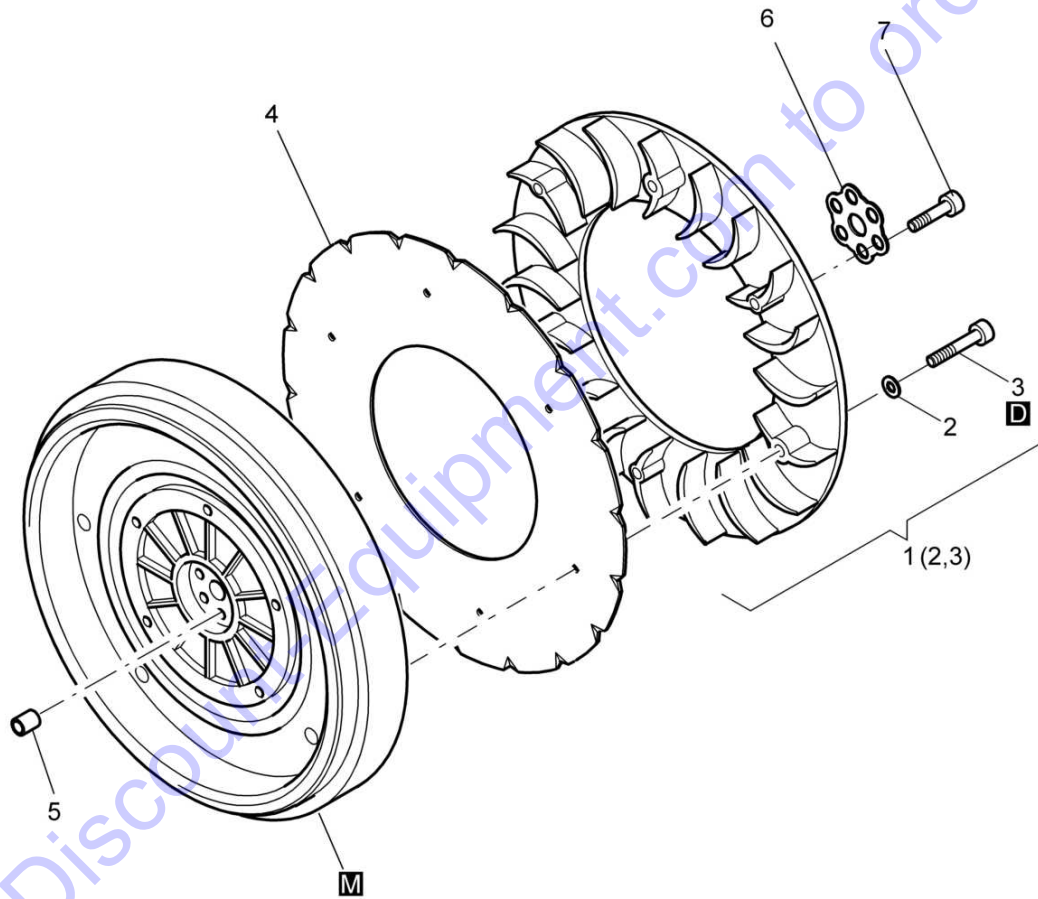
Engine no.	
S/N 1101713045102 ▶	
Silencer	11.26
	Page 1 / 1
	MOT015909 1001 E 


Pos. Part no. Qty. Description

1	08720814	3	Spring washer
2	05720727	1	Exhaust silencer
3	2) 05720599	1	Kit, seal
4	05722063	3	Socket-head cap screw
5	07140626	1	Hexagon bolt
6	08720611	1	Spring washer
7	05821197	1	Screw
8	08590617	1	Washer
9	05724357	1	Protective device
10	07320608	2	Countersunk screw
11	08590617	1	Washer
		2)	Incl. in gasket set for 1 cylinder head

Go to Discount-Equipment.com to order your parts

	Engine no.
11.29	S/N 1101713045102 ▶
Page 1 / 1	Cooling Blower
BOMAG FAYAT GROUP	MOT015901_000_00



Engine no.	
S/N 1101713045102 ▶	
Cooling Blower	11.29
	Page 1 / 1
	MOT015901 1001 E 

Pos.	Part no.	Qty.	Description
1	05720498	1	Blower ring
2	08641044	6	>Spring washer
3	07230429	6	>Socket-head cap screw
4	05720499	1	Washer
5	05720545	1	Shearing bush
6	05724364	1	Washer
7	05720601	6	Socket-head cap screw
			Auxiliaries
10	00978006	1,00 kg	Screw lock, middle strength D)
11	00978023	1	Grinding paste M)

Go to Discount-Equipment.com to order your parts

Engine no.

S/N 1101713045102 ▶

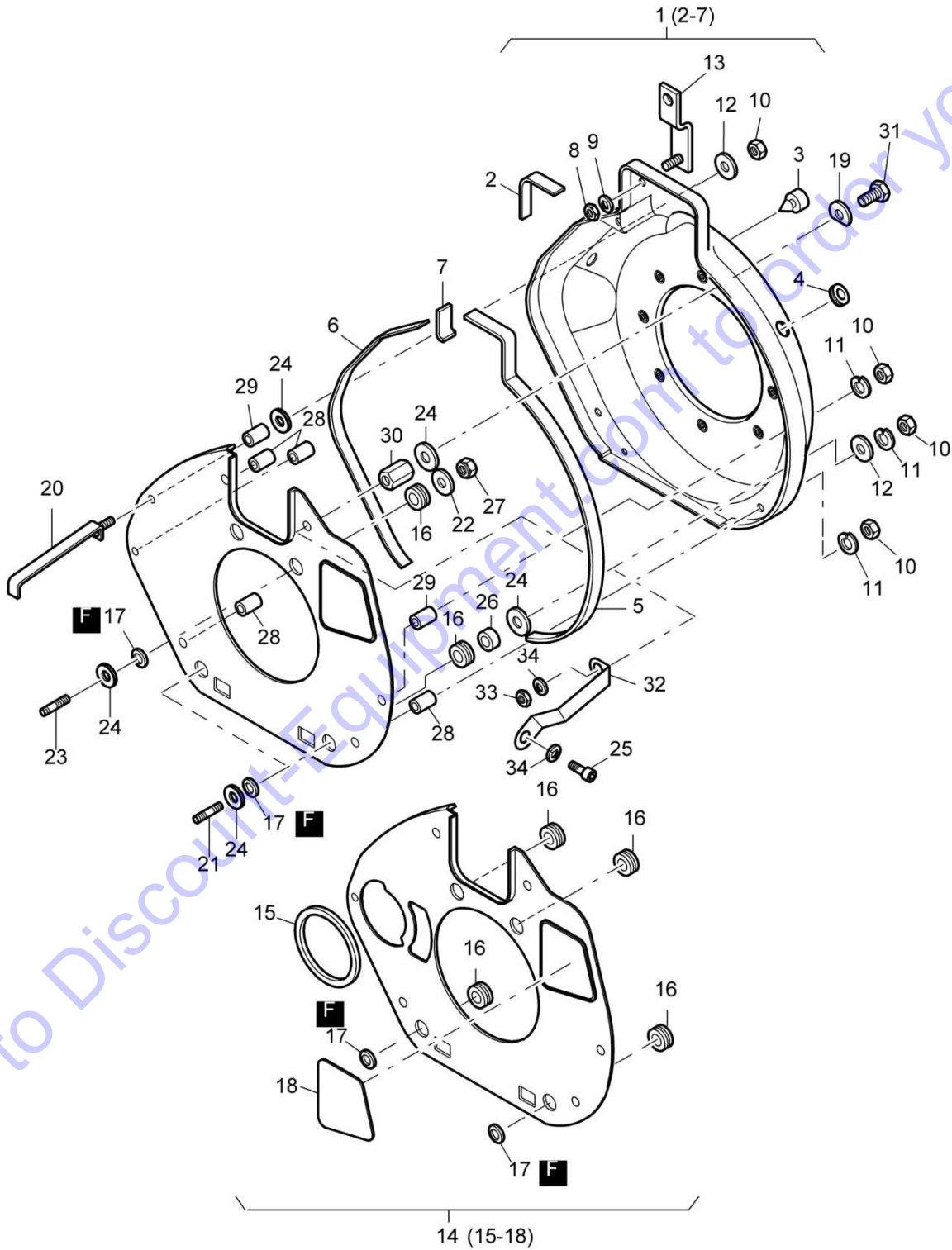
11.30

Page 1 / 2




Cooling Air Duct

MOT015905_000_00



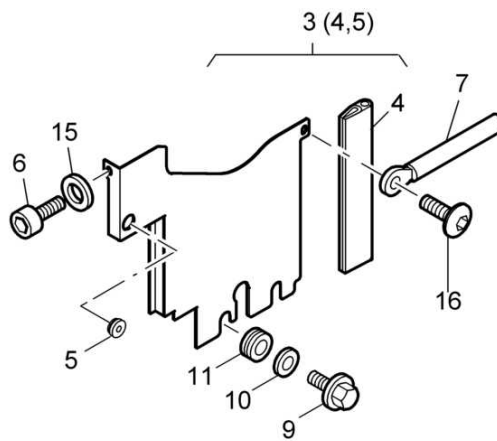
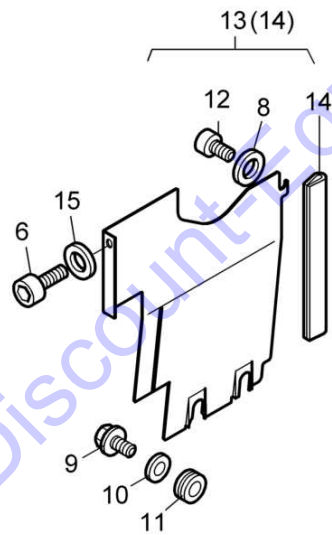
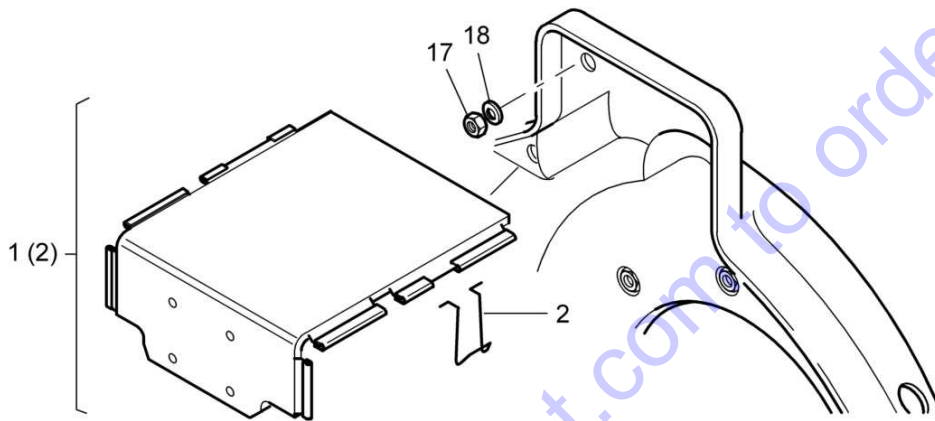
mot015905_000


Engine no.	
S/N 1101713045102 ▶	
Cooling Air Duct	11.30
	Page 1 / 2
	
	MOT015905 1001 E

Pos.	Part no.	Qty.	Description
1	05720713	1	Air duct housing
2	05720714	1	>Edge protector 58mm
3	05728685	1	>Rubber grommet
4	05728299	1	>Rubber grommet
5	05720715	1	>Sealing strip 715mm
6	05720716	1	>Sealing strip 555mm
7	05720717	1	>Sealing strip 57mm
8	08110620	2	Hexagon nut
9	08720611	2	Spring washer
10	08110620	7	Hexagon nut
11	08720611	8	Spring washer
12	08621064	3	Washer
13	05728338	2	Support
14	05724370	1	Separating plate
15	05728379	1	>Sealing ring
16	05720583	4	>Spacer sleeve
17	05728297	4	>Rubber ring
18	05720718	1	>Cover
19	05724368	1	Washer
20	05724369	1	Support
21	07510628	2	Pin screw
22	08590617	2	Washer
23	07590625	2	Pin screw
24	05728304	7	Washer
25	07230605	1	Socket-head cap screw
26	05724373	2	Bushing
27	08330610	2	Safety nut
28	05728292	4	Bushing
29	05728441	2	Bushing
30	05724374	1	Hexagon nut
31	07140652	1	Hexagon bolt
32	05724375	1	Support
33	08110620	1	Hexagon nut
34	08720611	2	Spring washer
			Auxiliaries
40	00970028	1	Technicoll F)
41	00970029	1	Technicoll +F1)

Go to Dipoint-Equipment.com to order your parts

	Engine no.
	S/N 1101713045102 ▶
11.30	Cooling Air Duct
Page 2 / 2	
BOMAG FAYAT GROUP	MOT015904_000_00

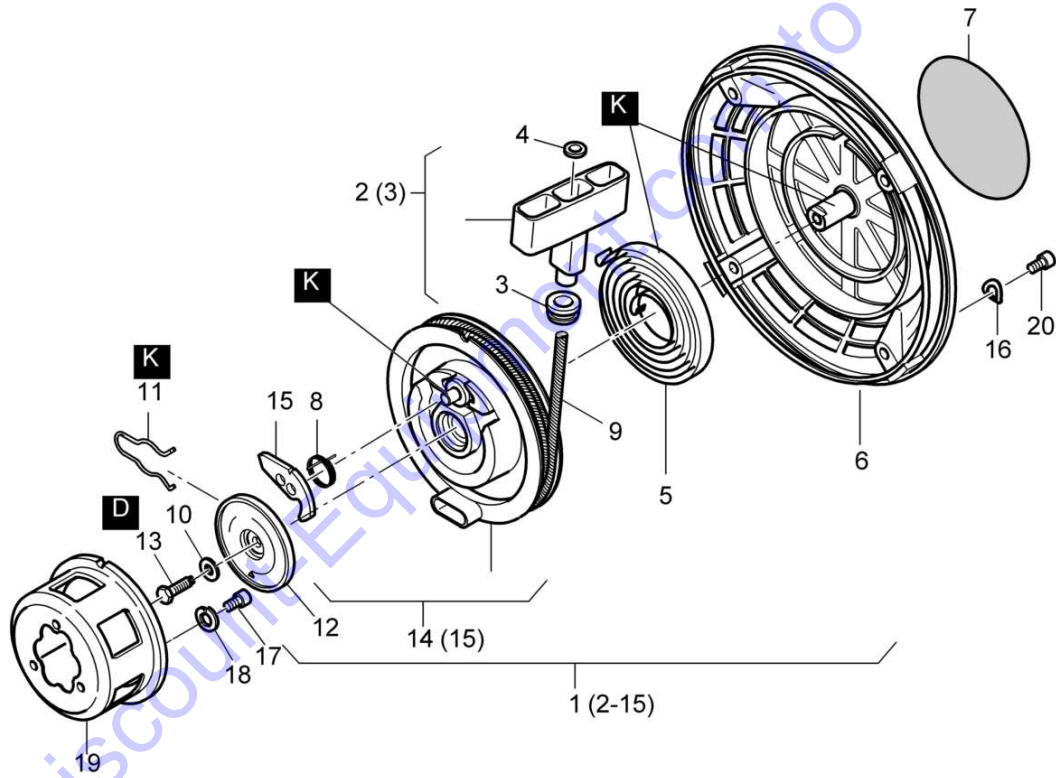



Engine no.	
S/N 1101713045102 ▶	
Cooling Air Duct	11.30
	Page 2 / 2
	
MOT015904 1001 E	

Pos.	Part no.	Qty.	Description
1	05724376	1	Sound protection hood
2	05724377	1	>Spring
3	05724378	1	Air duct plate
4	05724379	1	>Sealing strip 93mm
5	05722519	1	>Rubber grommet
6	05821197	2	Screw
7	05722054	1	Cable clip
8	05722766	1	Washer
9	05728289	4	Hexagon bolt
10	05728288	4	Washer
11	05728287	4	Rubber grommet
12	07240608	1	Socket-head cap screw
13	05720712	1	Air duct plate
14	05724379	1	>Sealing strip 93mm
15	08510612	2	Washer
16	05728052	1	Countersunk screw
17	08110620	2	Hexagon nut
18	08720611	2	Spring washer

Go to Discount-Equipment.com to order your parts

	Engine no.
	S/N 1101713045102 ▶
11.31	Recoil Starter
Page 1 / 1	
BOMAG FAYAT GROUP	MOT015903_000_00

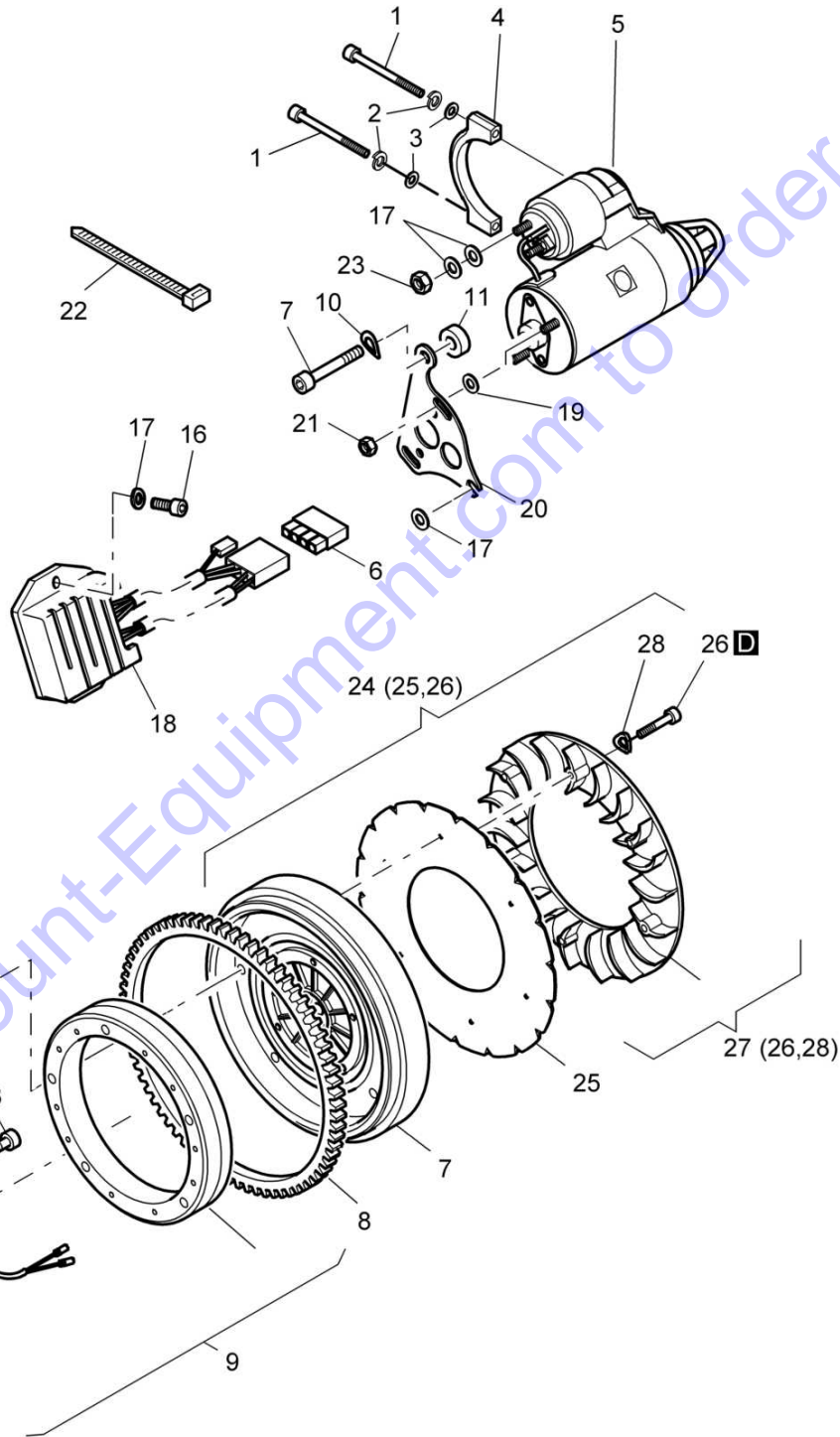



Engine no.	
S/N 1101713045102 ▶	
Recoil Starter	11.31
	Page 1 / 1
	MOT015903 1001 E 

Pos.	Part no.	Qty.	Description
1	05720710	1	Recoil starter
2	05728272	1	>Handle
3	05724445	1	>>Rubber grommet
4	05724188	1	>Washer
5	05728273	1	>Spiral spring
6	05720711	1	>Housing
7	05728281	1	>Label
8	05728279	1	>Torsion spring
9	05720205	1	>Starter rope 2040mm
10	05568792	1	>Spring washer
11	05728276	1	>Brake spring
12	05728277	1	>Brake disc
13	07140629	1	>Hexagon bolt
14	05728282	1	>Rope pulley
15	05728278	1	>>Catch
16	08641064	4	Spring washer
17	07230602	3	Socket-head cap screw
18	08720611	3	Spring washer
19	05728280	1	Driver
20	07230602	4	Socket-head cap screw
			Auxiliaries
30	00978006	1,00 kg	Screw lock, middle strength D)
31	05721037	1	Grease, special K)

Go to Discount-Equipment.com to order your parts

	Engine no.
11.34	S/N 1101713045102 ▶
Page 1 / 1	Generator And Starter
BOMAG FAYAT GROUP	MOT015910_000_00

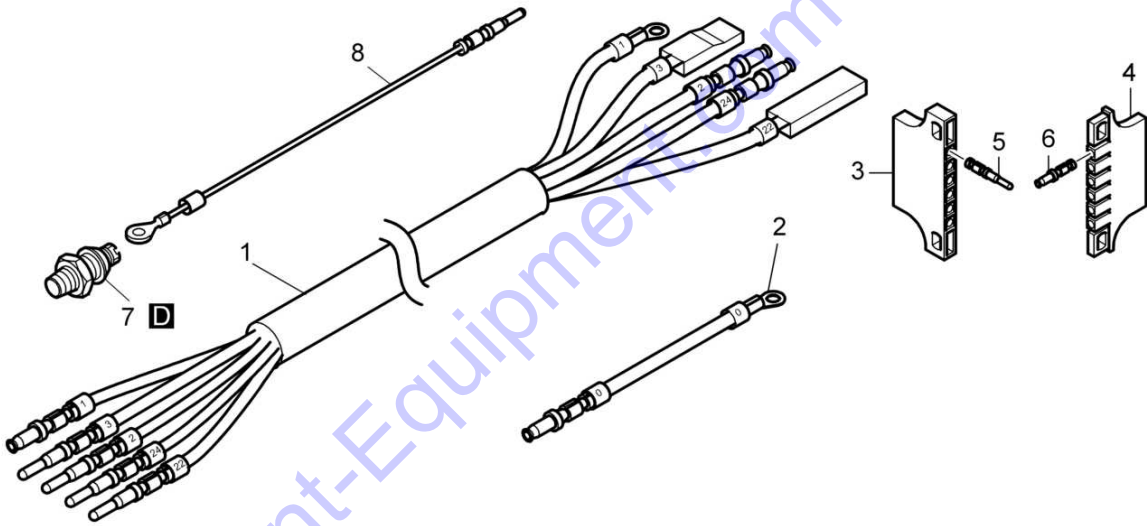


Engine no.	
S/N 1101713045102 ▶	
Generator And Starter	11.34
	Page 1 / 1
	MOT015910 1001 E 


Pos.	Part no.	Qty.	Description
1	05724381	2	Socket-head cap screw
2	08720611	2	Spring washer
3	08510612	2	Washer
4	05728383	1	Bow
5	05724382	1	Starter 12V, 1,0kW
6	05722047	1	Socket housing
7	07230838	1	Socket-head cap screw
8	05724384	1	Ring gear
9	05720162	1	Generator 12V, 200W
10	08641084	1	Spring washer
11	05724386	1	Washer
12	08641054	4	Spring washer
13	05720604	4	Socket-head cap screw
14	07240616	5	Socket-head cap screw
15	08641064	5	Spring washer
16	07230827	2	Socket-head cap screw
17	08510817	6	Washer
18	05720184	1	Regulator switch 12V
19	08621064	2	Washer
20	05724388	1	Holder
21	05720728	2	Hexagon nut
22	05724389	3	Cable binder
23	08120809	1	Hexagon nut
24	05720161	1	Flywheel
25	05720499	1	>Washer
26	07230429	6	>Socket-head cap screw
27	05720498	1	Blower ring incl. Pos. 26,28
28	08641044	6	>Spring washer
30	00978006	1,00 kg	Auxiliaries Screw lock, middle strength D)

Go to Discount-Equipment.com to order your parts

	Engine no.
	S/N 1101713045102 ▶
11.36	Electrical Equipment
Page 1 / 1	
BOMAG FAYAT GROUP	MOT015911_000_00




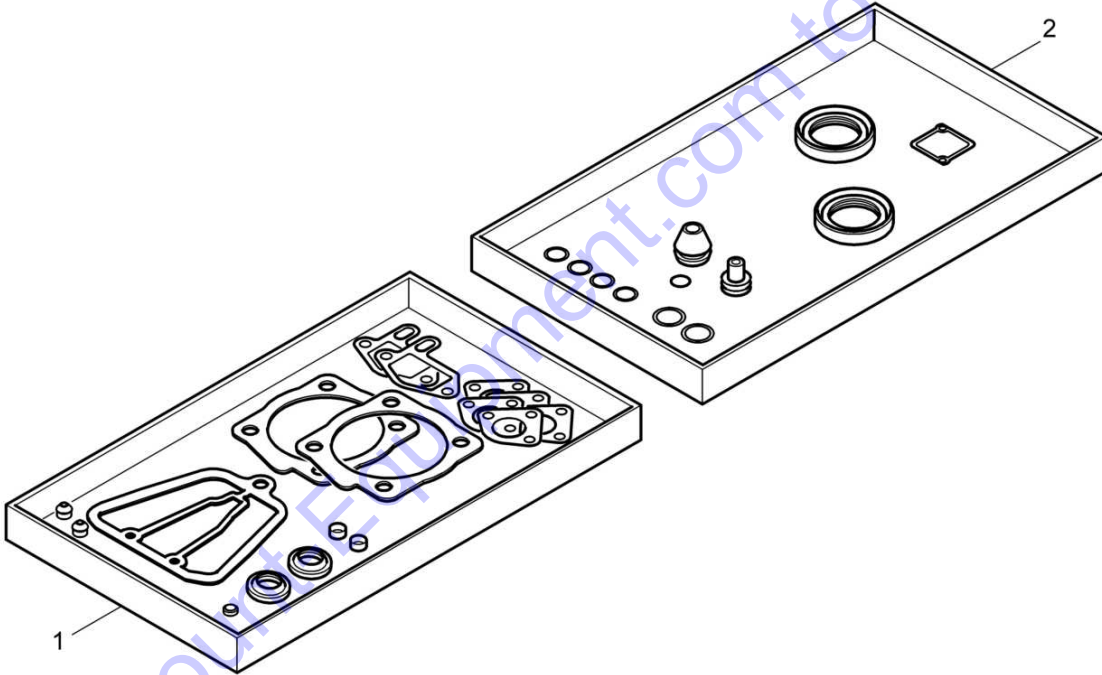
Go to Discount-Equipment.com to order your parts


Engine no.	
S/N 1101713045102 ▶	
Electrical Equipment	11.36
	Page 1 / 1
	MOT015911 1001 E 

Pos.	Part no.	Qty.	Description
1	05724390	1	Wire harness
2	05721082	1	Electric wires (0)
3	05722002	1	Pin housing
4	05722372	1	Bush housing
5	07231115	5	Pin
6	05722320	6	Socket
7	05723469	1	Oil pressure switch Oil
8	05724391	1	Cable
10	00978006	1,00 kg	Auxiliaries Screw lock, middle strength D)

Go to Discount-Equipment.com to order your parts

	Engine no.
	S/N 1101713045102 ▶
11.47	Seal Kit
Page 1 / 1	
 BOMAG FAYAT GROUP	MOT015892_000_00




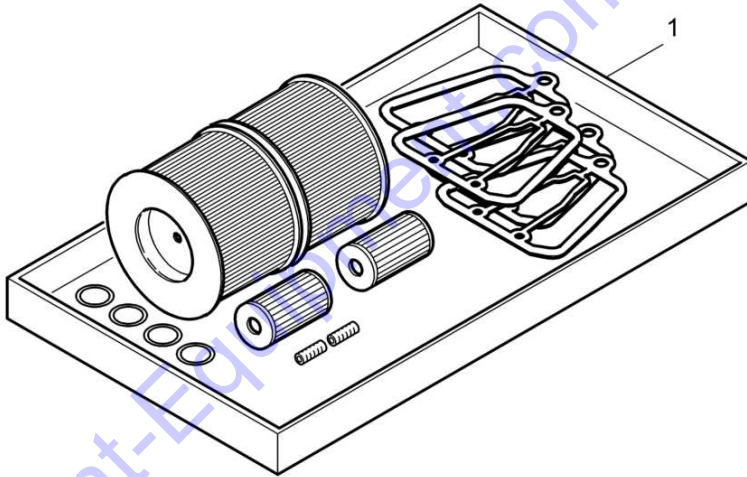
Engine no.	
S/N 1101713045102 ▶	
Seal Kit	11.47
	Page 1 / 1
	
MOT015892 1001 E	


Pos. Part no. Qty. Description

1	05724398	1	Kit,seal,for cyl. head
2	05724399	1	Kit,seal,for crankcase

Go to Discount-Equipment.com to order your parts

	Engine no.
11.48	S/N 1101713045102 ▶
Page 1 / 1	Maintenance Kit
 BOMAG FAYAT GROUP	MOT015893_000_00



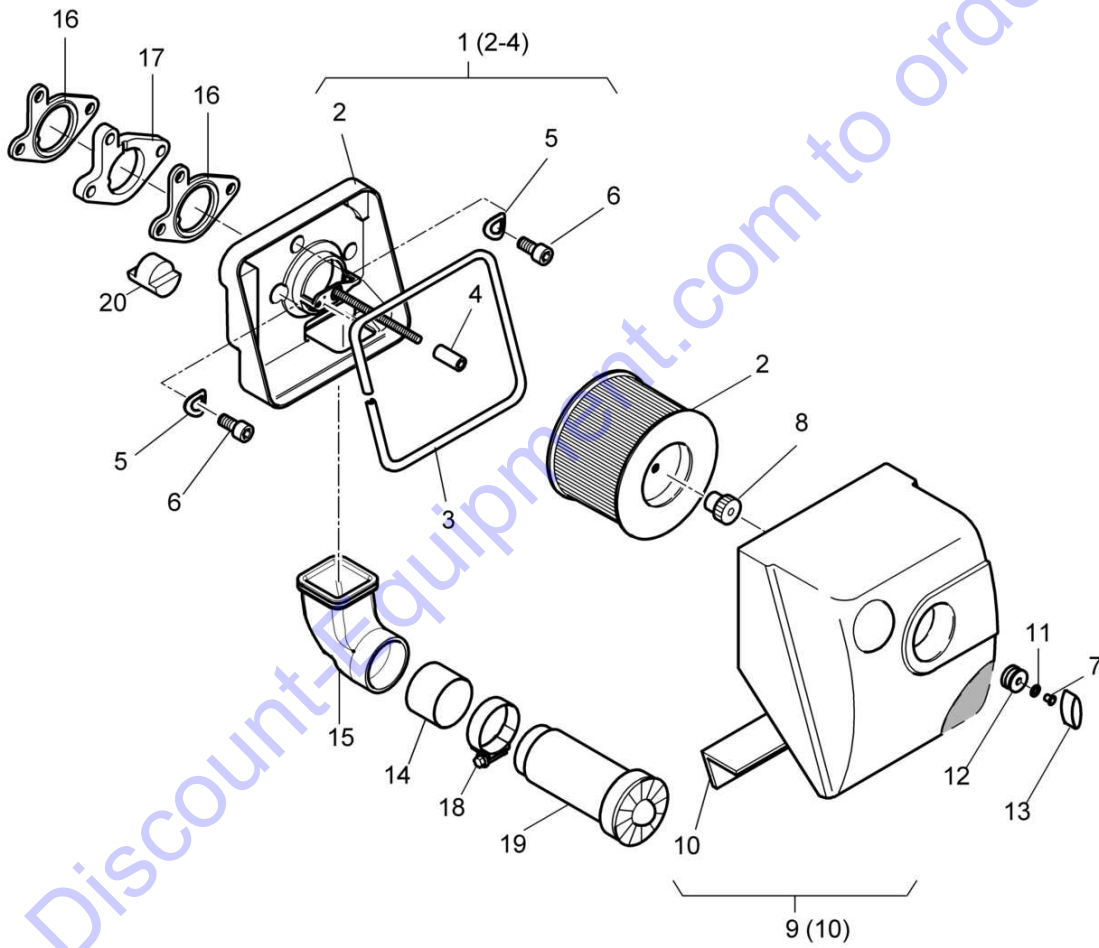
Engine no.	
S/N 1101713045102 ▶	
Maintenance Kit	11.48
	Page 1 / 1
	
MOT015893 1001 E	


Pos. Part no. Qty. Description

1 05724400 1 Service kit

Go to Discount-Equipment.com to order your parts

	Engine no.
	S/N 1101713045102 ▶
11.63	Aircleaner & Exhaust
Page 1 / 1	
BOMAG FAYAT GROUP	MOT015908_000_00



Engine no.	
S/N 1101713045102 ▶	
Aircleaner & Exhaust	11.63
	Page 1 / 1
	 BOMAG FAYAT GROUP
MOT015908 1001 E	

Pos.	Part no.	Qty.	Description
1	05720723	1	Air filter housing
2	1) 05724464	1	>Air filter
3	05724462	1	>Sealing strip 665mm
4	05728609	1	>Sleeve 32mm
5	08641084	3	Spring washer
6	07230819	3	Socket-head cap screw
7	05728010	1	Rivet
8	05728351	1	Nut
9	05720606	1	Cover, air filter
10	05724466	1	>Sealing strip 180mm
11	05728011	1	Shim
12	05728355	1	Rubber grommet
13	05728357	1	Wing nut
14	05720724	1	Bushing
15	05720725	1	Collar
16	2) 05724467	2	Gasket
17	05720726	1	Insulating flange
18	05722410	1	Hose clip
19	05722605	1	Prefilter
20	05728362	1	Plug

- 1) Incl. in maintenance kit
2) Incl. in gasket set for 1 cylinder head

Go to Discount-Equipment.com to order your parts

Engine no.

S/N 1101713045102 ▶

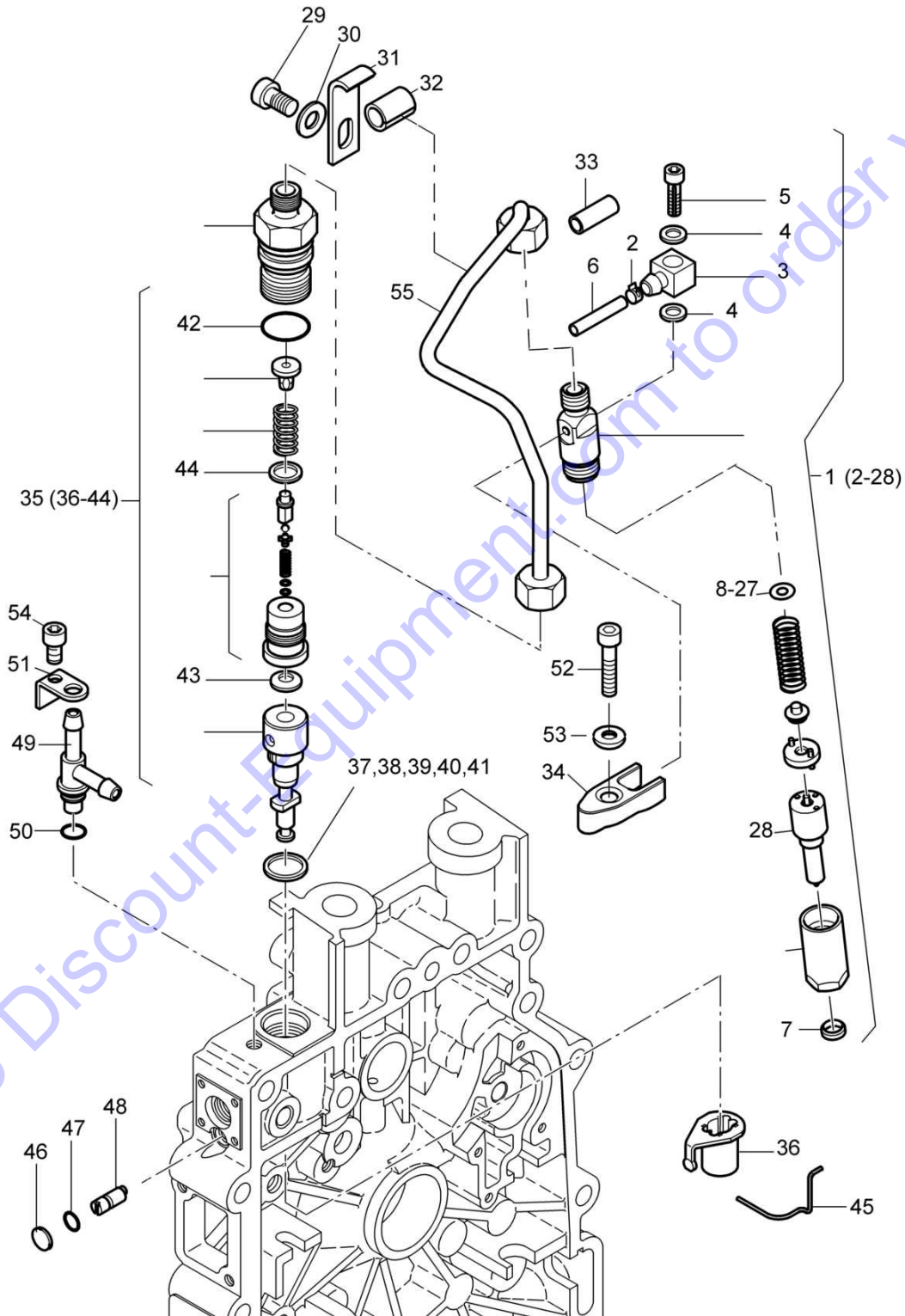
11.67

Injection Pump & Valve


Page 1 / 1



MOT015902_000_00



mot015902_000

Engine no.	
S/N 1101713045102 ▶	
Injection Pump & Valve	11.67
	Page 1 / 1
	
	MOT015902 1001 E

Pos. Part no. Qty. Description

1	05720546	1	Valve,injection
2	05720329	1	>Hose clip
3	05728268	1	>Nipple
4	09331050	2	>Sealing ring
5	05720548	1	>Socket-head cap screw
6	05720549	1	>Hose
7	2) 05728251	1	>Sealing ring
8	05728230	1	>Set shim 1,00mm
9	05728231	1	>Set shim 1,04mm
10	05728232	1	>Set shim 1,10mm
11	05728233	1	>Set shim 1,14mm
12	05728234	1	>Set shim 1,20mm
13	05728235	1	>Set shim 1,24mm
14	05728236	1	>Set shim 1,30mm
15	05728237	1	>Set shim 1,34mm
16	05728238	1	>Set shim 1,40mm
17	05728239	1	>Set shim 1,44mm
18	05728240	1	>Set shim 1,50mm
19	05728241	1	>Set shim 1,54mm
20	05728242	1	>Set shim 1,60mm
21	05728243	1	>Set shim 1,64mm
		2)	Incl. in gasket set for 1 cylinder head

continued

Go to Discount-Equipment.com to order your parts

Engine no.

S/N 1101713045102 ▶

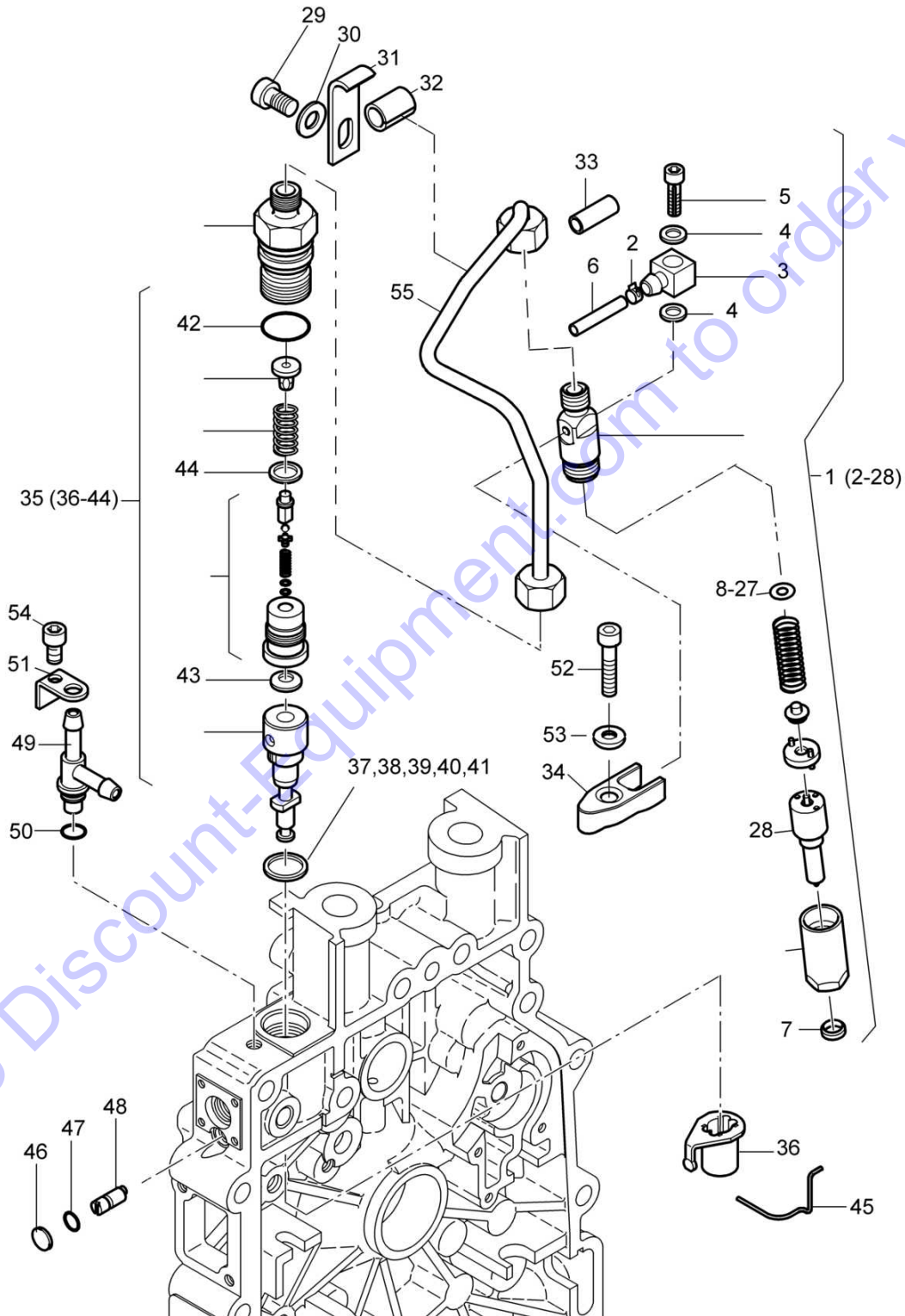
11.67

Injection Pump & Valve


Page 1 / 1



MOT015902_000_00



mot015902_000

Engine no.	
S/N 1101713045102 ▶	
Injection Pump & Valve	11.67
	Page 1 / 1
	MOT015902 1001 E
	

Pos.	Part no.	Qty.	Description
22	05728244	1	>Set shim 1,70mm
23	05728245	1	>Set shim 1,74mm
24	05728246	1	>Set shim 1,80mm
25	05728247	1	>Set shim 1,84mm
26	05728248	1	>Set shim 1,90mm
27	05728249	1	>Set shim 1,94mm
28	05720704	1	>Nozzle
29	07240608	1	Socket-head cap screw
30	08510612	1	Washer
31	05720705	1	Holder
32	05720706	1	Protection hose
33	05720573	1	Hose 185mm
34	05720707	1	Clevis
35	05720708	1	Pump,injection
36	05728612	1	>Bushing
37	05728254	1	>Washer 0,2mm
38	05728255	1	>Washer 0,3mm
39	05728256	1	>Washer 0,4mm
40	05728257	1	>Washer 0,5mm
41	05728258	1	>Washer 0,6mm
42	05728602	1	>Loop ring
43	05728076	1	>Spring washer
44	05726722	1	>Sealing washer
45	05728684	1	Bow
46	08520008	1	Washer
47	06220017	1	Loop ring
48	05728683	1	Eccentric bolt
49	05720077	1	Nipple

continued

Go to Dount-Equipment.com to order your parts

Engine no.

S/N 1101713045102 ▶

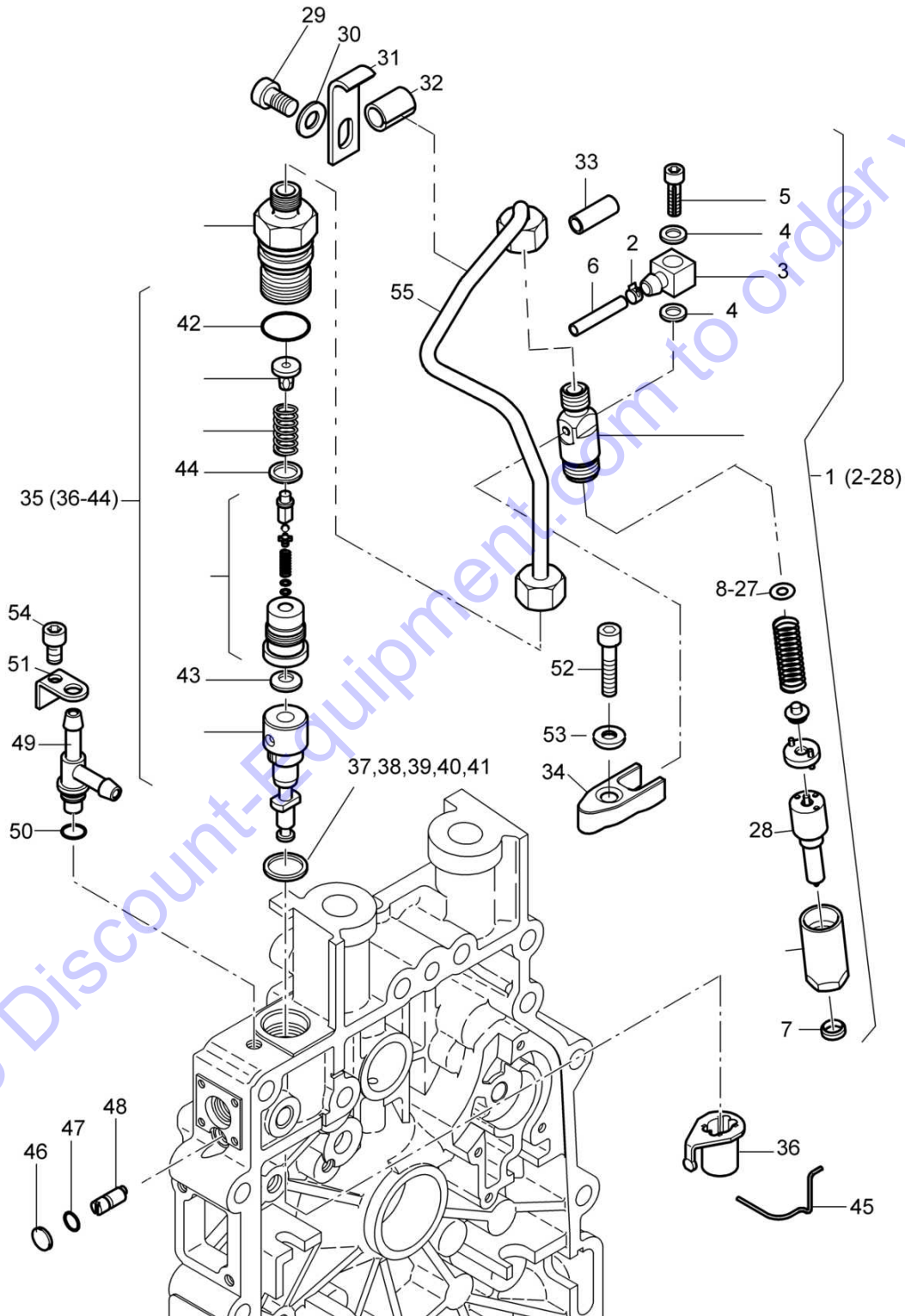
11.67

Injection Pump & Valve


Page 1 / 1



MOT015902_000_00



mot015902_000

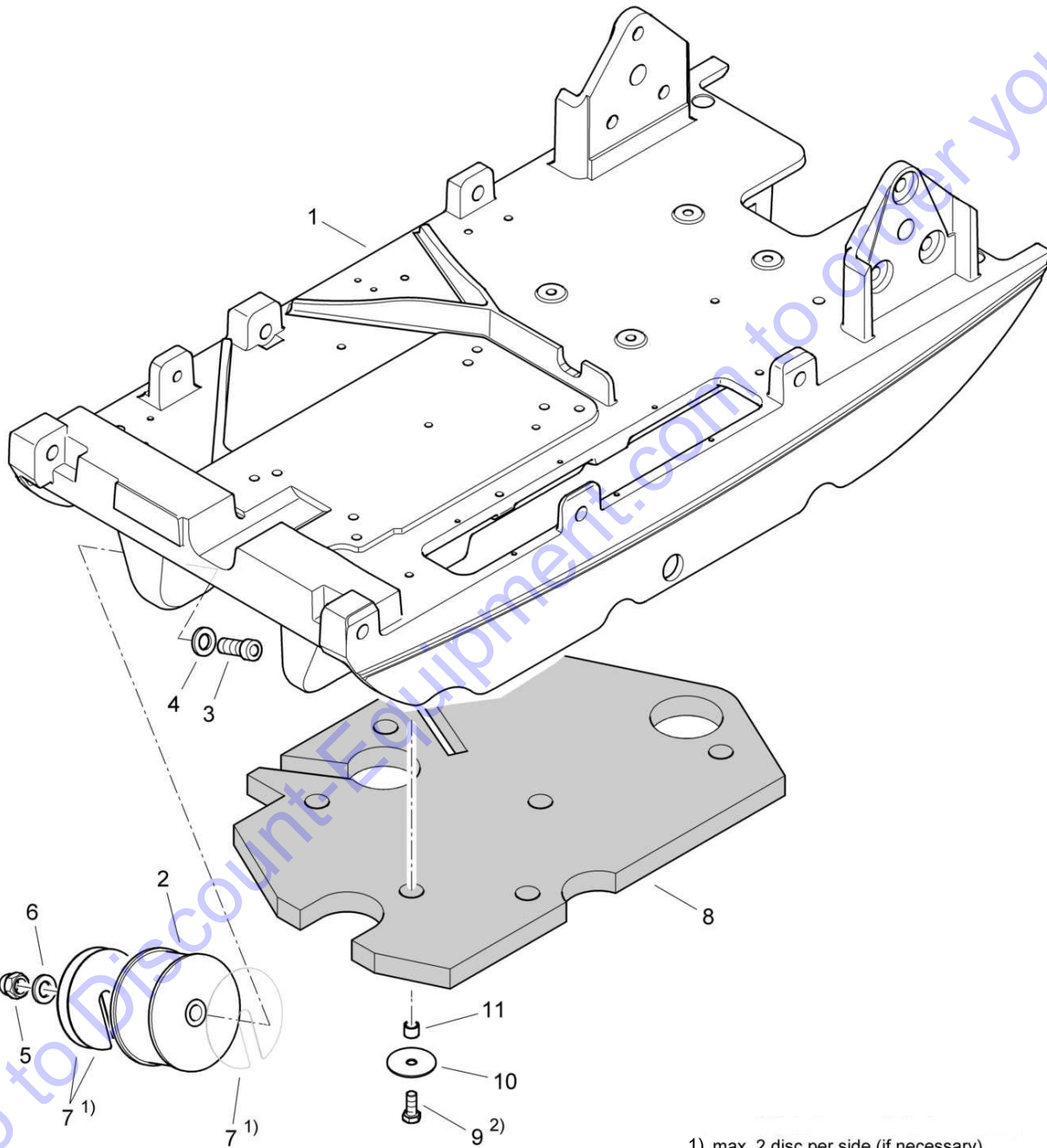
Engine no.	
S/N 1101713045102 ▶	
Injection Pump & Valve	11.67
	Page 1 / 1
	MOT015902 1001 E
	

Pos.	Part no.	Qty.	Description
------	----------	------	-------------

50	4) 06220078	1	Loop ring
51	05720542	1	Hold-down
52	07230623	1	Socket-head cap screw
53	05720709	1	Spherical washer
54	05720604	1	Socket-head cap screw
55	05720547	1	Fuel pressure pipe
	4)		Incl. in gasket set crankcase


Go to Discount-Equipment.com to order your parts

	BPR 60/65 D	
12.12		S/N 101692781001 ▶
	Engine Carrier	
Page 1 / 1		
BOMAG FAYAT GROUP	69030059_000_01	



1) max. 2 disc per side (if necessary)

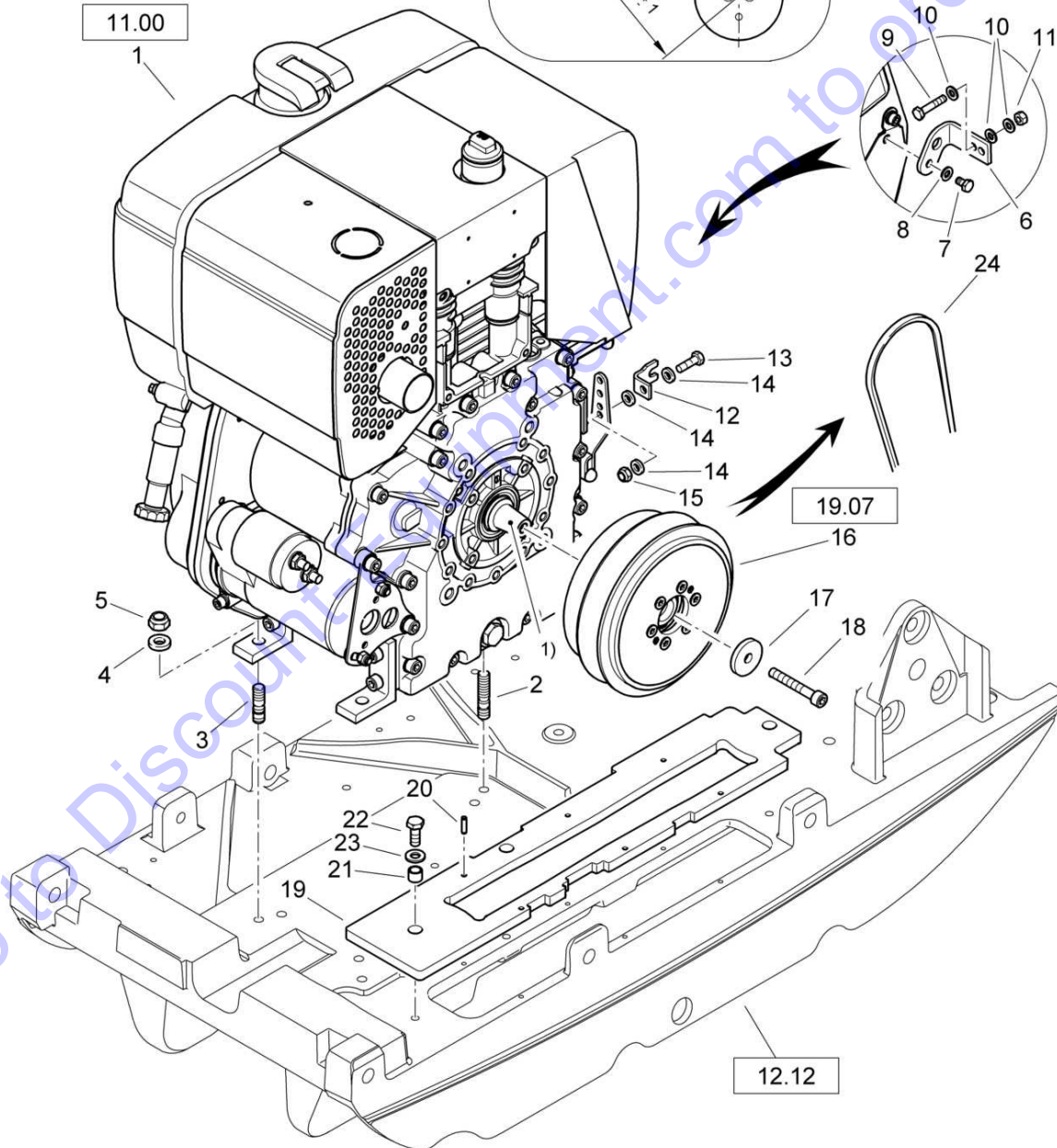
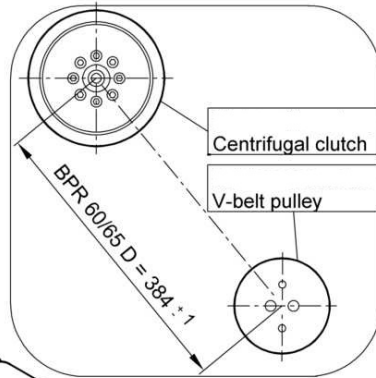
2) Tightening torque 20 Nm


BPR 60/65 D		
S/N 101692781001 ▶		12.12
Engine Carrier		Page 1 / 1
	69030059 1001 1	

Pos.	Part no.	Qty.	Description
1	69030319	1	Engine carrier
2	06128800	4	Rubber buffer
3	07231619	4	Socket-head cap screw
4	08511730	4	Washer
5	08251620	4	Domed cap nut
6	08752170	4	Spring washer
7	48230106	8	Shim
8	69030261	1	Insulating mat
9	07140824	7	Hexagon bolt
10	08510840	7	Disc
11	69040291	7	Sleeve

Go to Discount-Equipment.com to order your parts

1) install cone grease /oil free



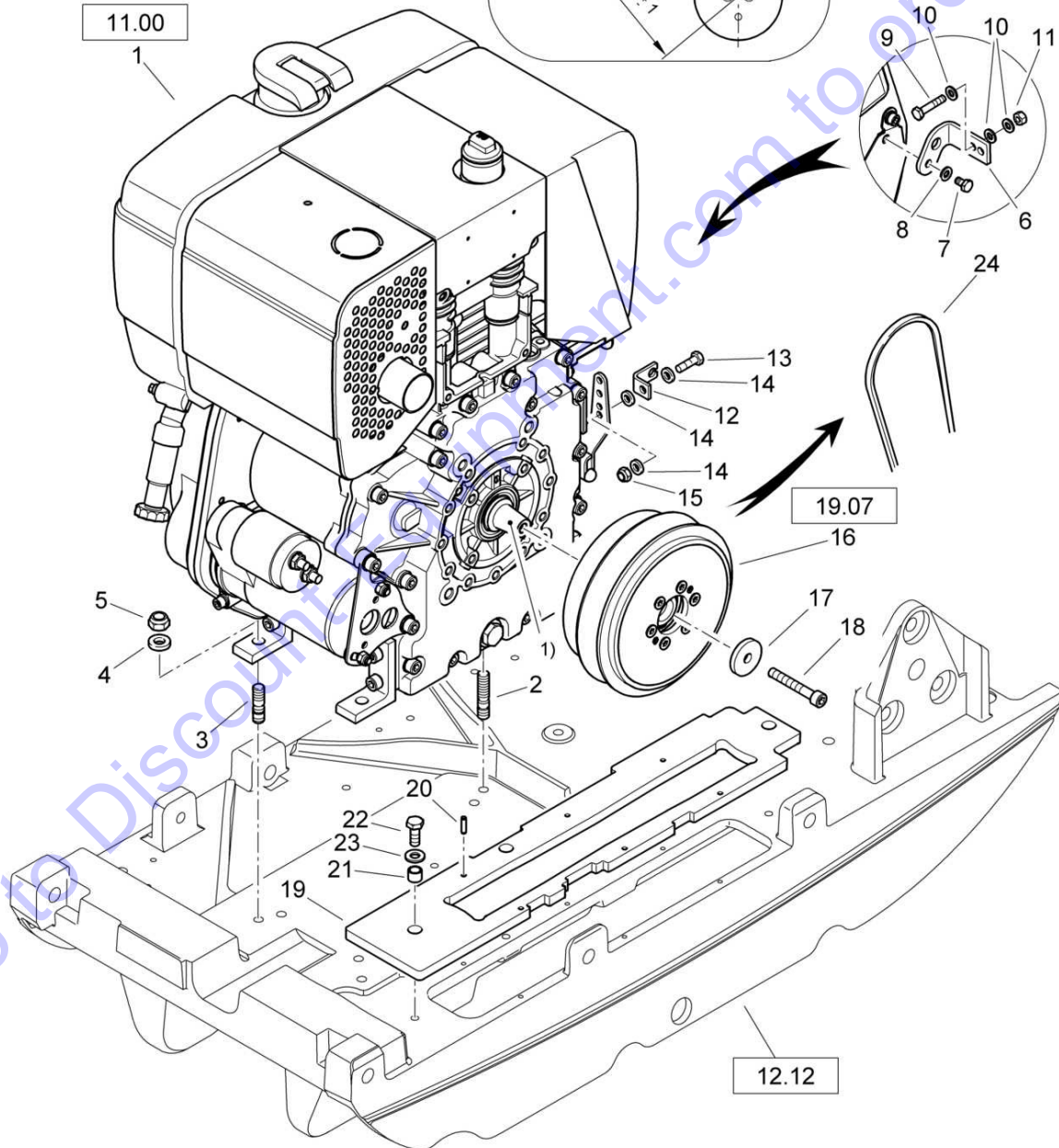
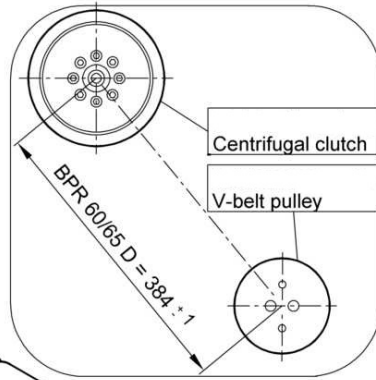
BPR 60/65 D		
S/N 101692781007 ▶		12.13
Engine		Page 1 / 3
	69040078 1001 1	


Pos.	Part no.	Qty.	Description
1	05706416	1	Diesel engine
2	07591018	1	Pin screw
3	07591008	3	Pin screw
4	08511021	4	Washer
5	08131016	4	Safety nut
6	69040393	1	Holder
7	07140618	1	Hexagon bolt
8	08510612	1	Washer
9	07140649	1	Hexagon bolt
10	08510612	3	Washer
11	08130611	1	Safety nut
12	69040432	1	Holder
13	07140633	1	Hexagon bolt
14	08510612	3	Washer
15	08130611	1	Safety nut
16	05650156	1	Centrifugal clutch
17	69040261	1	Washer
18	07230842	1	Socket-head cap screw
19	69040366	1	Seal
20	09160406	6	Dowel pin
21	69040291	3	Sleeve
22	07140824	3	Hexagon bolt
23	08510817	3	Washer
24	06312296	1	V-belt

Go to Discount-Equipment.com to order your parts

BPR 60/65 D	
12.13	S/N 101692781006 ▶ S/N 101692781006
	Engine
Page 1 / 3	
BOMAG FAYAT GROUP	69040078_001_01

1) install cone grease /oil free



BPR 60/65 D		
S/N 101692781006 ▶ S/N 101692781006		12.13
Engine		Page 1 / 3
	69040078 1001 1	

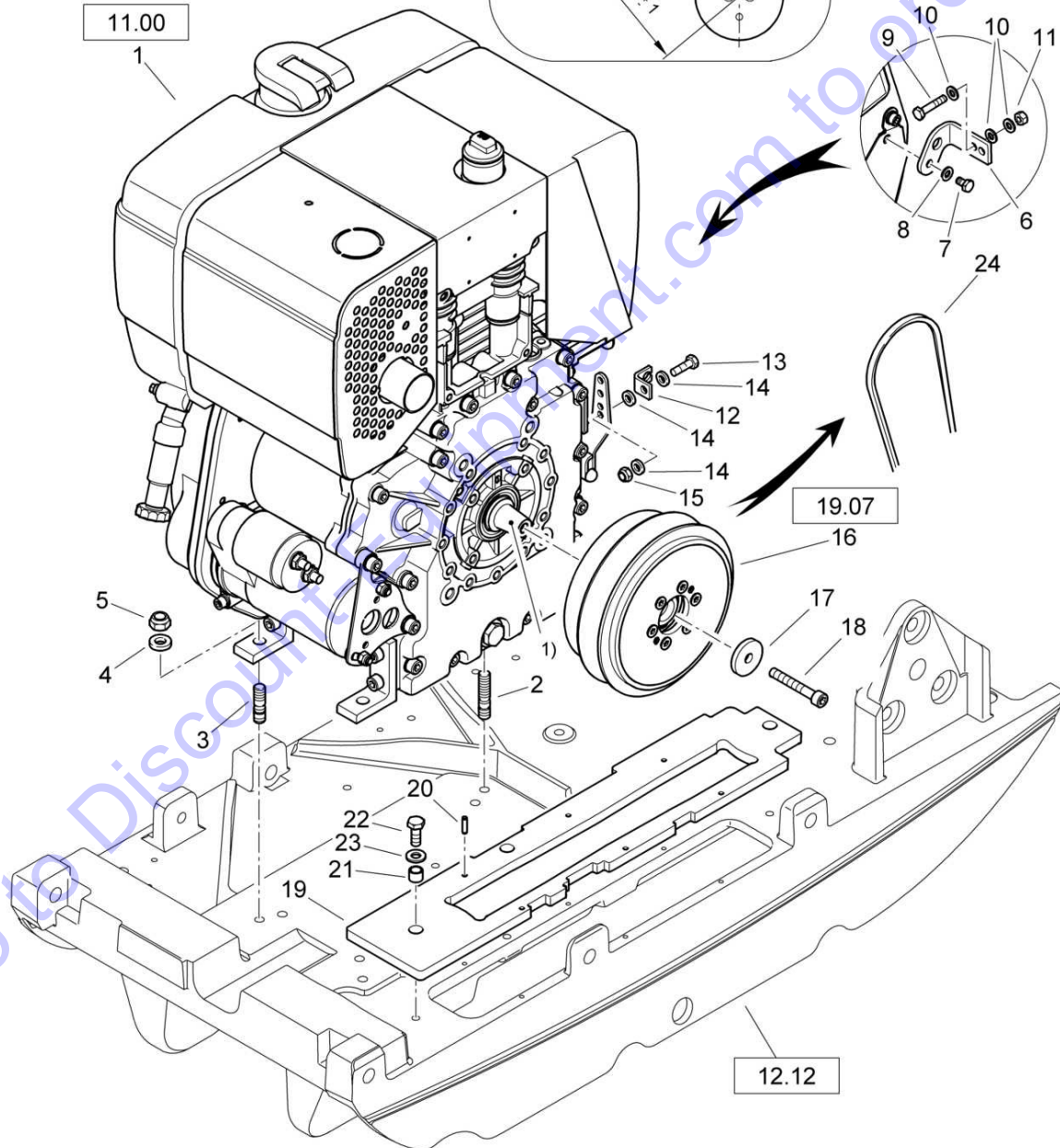
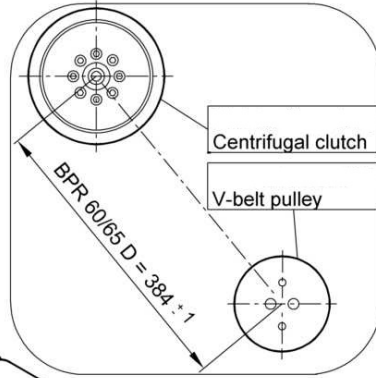
Pos. Part no. Qty. Description


1	05706416	1	Diesel engine
2	07591018	1	Pin screw
3	07591008	3	Pin screw
4	08511021	4	Washer
5	08131016	4	Safety nut
6	69040393	1	Holder
7	07140618	1	Hexagon bolt
8	08510612	1	Washer
9	07140649	1	Hexagon bolt
10	08510612	3	Washer
11	08130611	1	Safety nut
12	69040429	1	Holder
13	07140633	1	Hexagon bolt
14	08510612	3	Washer
15	08130611	1	Safety nut
16	05650156	1	Centrifugal clutch
17	69040261	1	Washer
18	07230842	1	Socket-head cap screw
19	69040366	1	Seal
20	09160406	6	Dowel pin
21	69040291	3	Sleeve
22	07140824	3	Hexagon bolt
23	08510817	3	Washer
24	06312296	1	V-belt

Go to Discount-Equipment.com to order your parts

BPR 60/65 D	
12.13	S/N 101692781001 ▶ S/N 101692781005
	Engine
Page 1 / 3	
BOMAG FAYAT GROUP	69040078_001_00

1) install cone grease /oil free



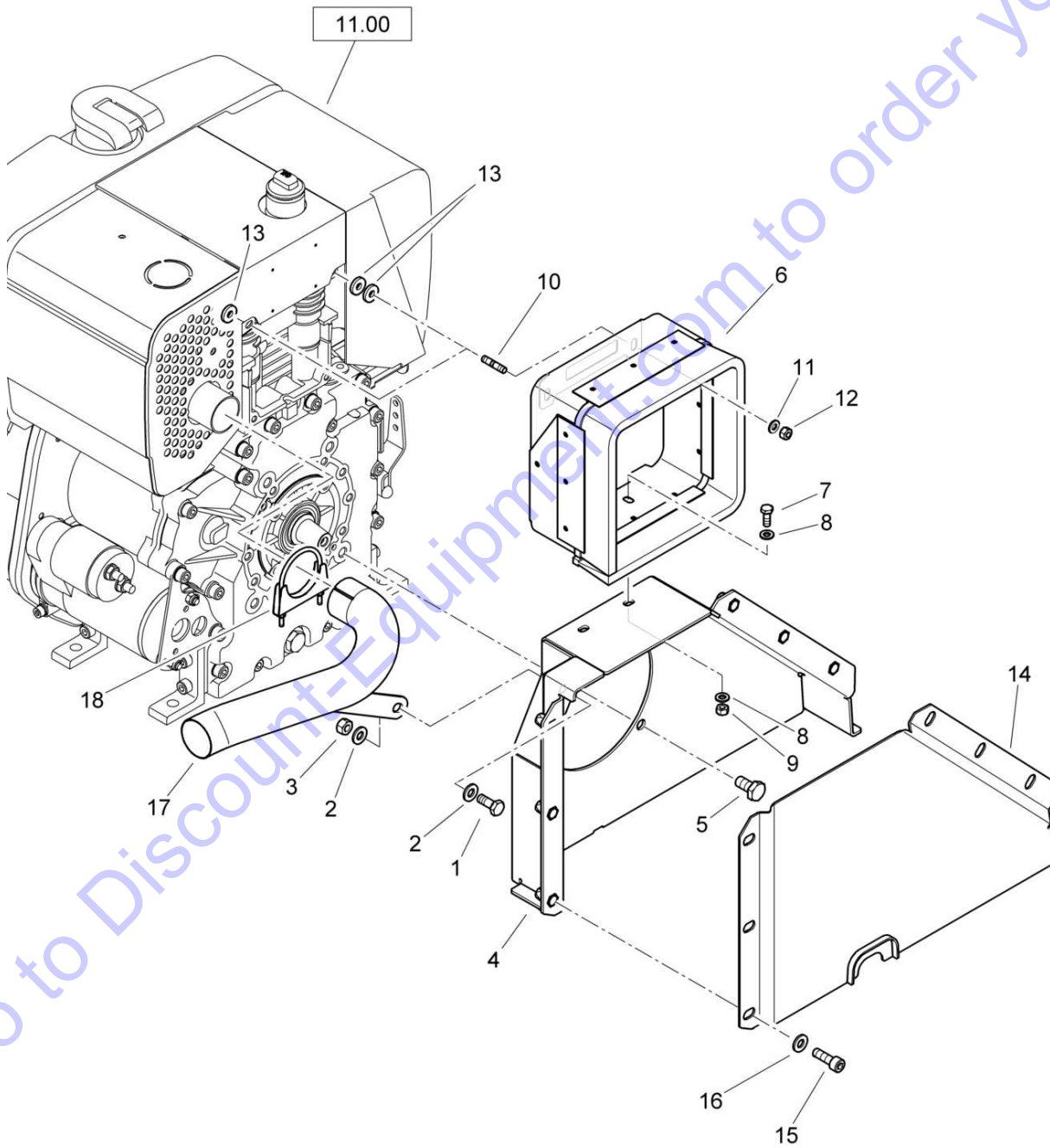
BPR 60/65 D		
S/N 101692781001 ▶ S/N 101692781005		12.13
Engine		Page 1 / 3
	69040078 1001 1	


Pos. Part no. Qty. Description

1	05706416	1	Diesel engine
2	07591018	1	Pin screw
3	07591008	3	Pin screw
4	08511021	4	Washer
5	08131016	4	Safety nut
6	69040393	1	Holder
7	07140618	1	Hexagon bolt
8	08510612	1	Washer
9	07140649	1	Hexagon bolt
10	08510612	3	Washer
11	08130611	1	Safety nut
12	69040394	1	Holder
13	07140633	1	Hexagon bolt
14	08510612	3	Washer
15	08130611	1	Safety nut
16	05650156	1	Centrifugal clutch
17	69040261	1	Washer
18	07230842	1	Socket-head cap screw
19	69040366	1	Seal
20	09160406	6	Dowel pin
21	69040291	3	Sleeve
22	07140824	3	Hexagon bolt
23	08510817	3	Washer
24	06312296	1	V-belt

Go to Discount-Equipment.com to order your parts

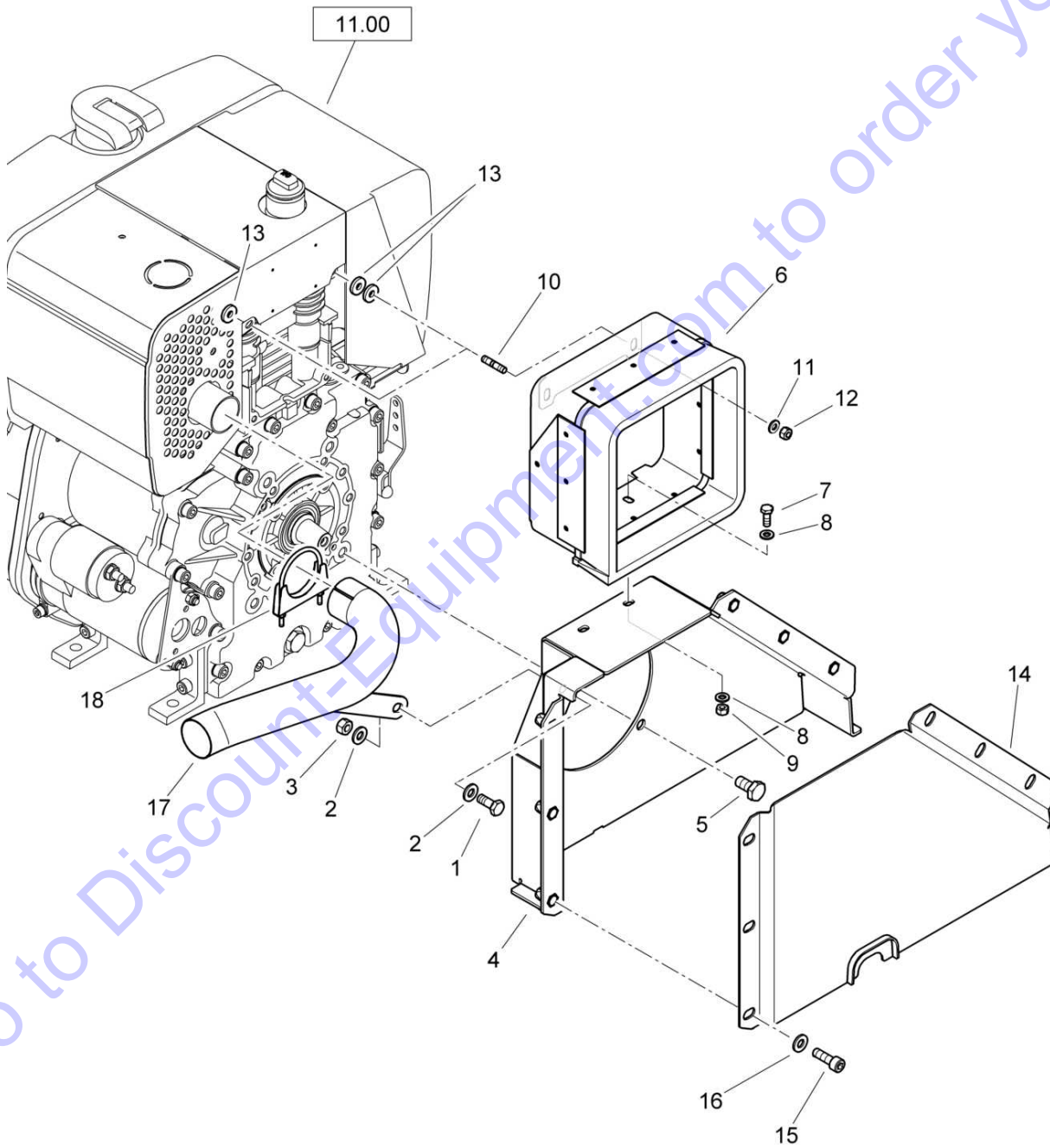
	BPR 60/65 D	
12.13		S/N 101692781065 ▶
Page 2 / 3	Engine	
BOMAG FAYAT GROUP		69040078_002_01




BPR 60/65 D		
S/N 101692781065 ▶		12.13
Engine		Page 2 / 3
	69040078 1001 1	

Pos.	Part no.	Qty.	Description
1	07140824	1	Hexagon bolt
2	08510817	2	Washer
3	08130813	1	Safety nut
4	69040414	1	V-belt guard
5	07141017	4	Hexagon bolt
6	69040426	1	Discharge air duct
7	07140626	2	Hexagon bolt
8	08510612	4	Washer
9	08130611	2	Safety nut
10	07590602	2	Pin screw
11	08510612	2	Washer
12	08130611	2	Safety nut
13	08590617	3	Washer
14	69040333	1	Cover
15	07230819	6	Socket-head cap screw
16	08510817	6	Washer
17	69040424	1	Exhaust elbow
18	05719563	1	U-clamp

Go to Discount-Equipment.com to order your parts



BPR 60/65 D		
S/N 101692781001 ▶ S/N 101692781064		12.13
Engine		Page 2 / 3
	69040078 1001 1	

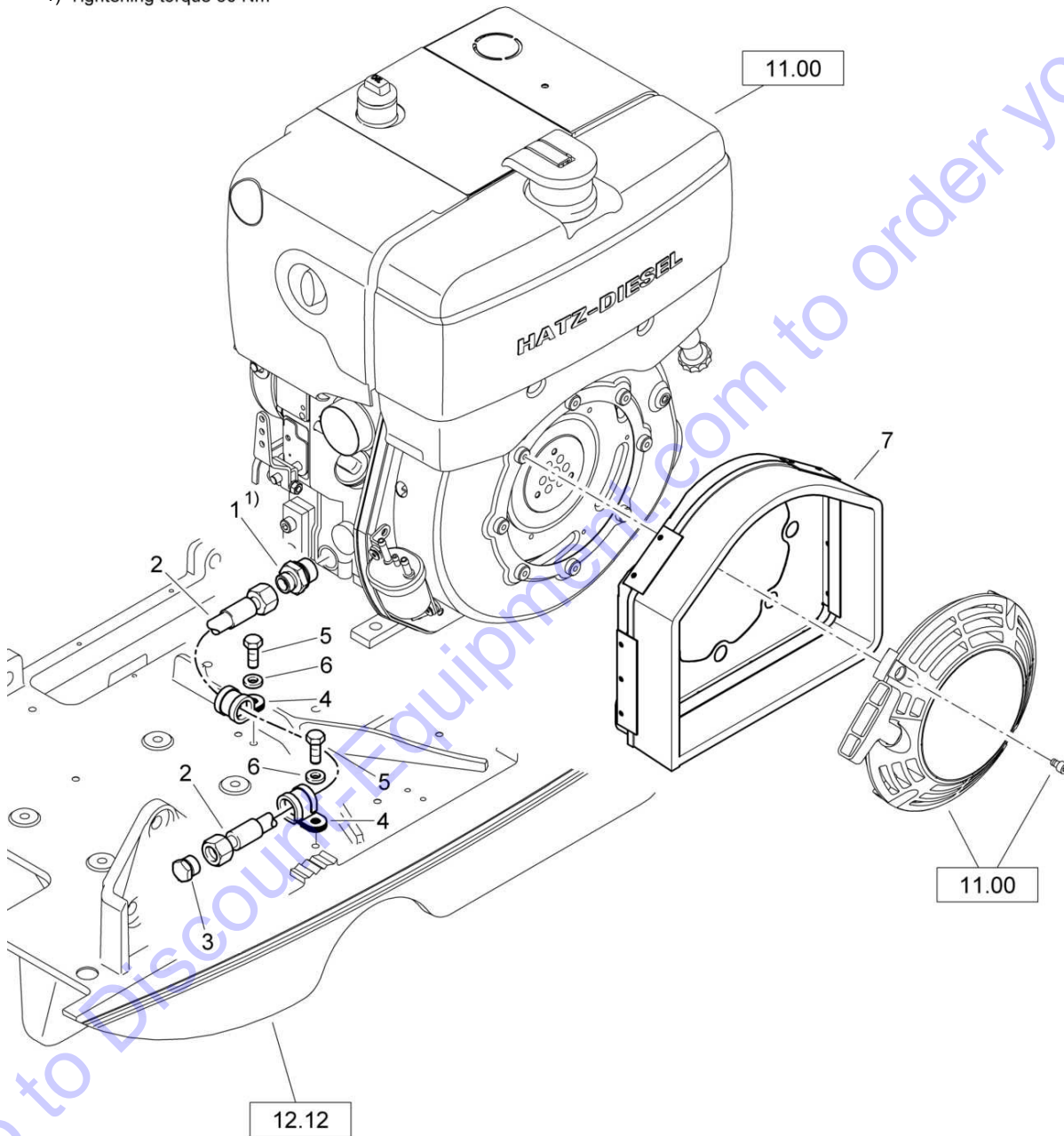
Pos. Part no. Qty. Description


1	07140824	1	Hexagon bolt
2	08510817	2	Washer
3	08130813	1	Safety nut
4	69040414	1	V-belt guard
5	07141017	4	Hexagon bolt
6	69040423	1	Discharge air duct
7	07140626	2	Hexagon bolt
8	08510612	4	Washer
9	08130611	2	Safety nut
10	07590602	2	Pin screw
11	08510612	2	Washer
12	08130611	2	Safety nut
13	08590617	3	Washer
14	69040333	1	Cover
15	07230819	6	Socket-head cap screw
16	08510817	6	Washer
17	69040424	1	Exhaust elbow
18	05719563	1	U-clamp

Go to Discount-Equipment.com to order your parts

	BPR 60/65 D	
12.13		S/N 101692781065 ▶
	Engine	
Page 3 / 3		
BOMAG FAYAT GROUP		69040078_003_01

1) Tightening torque 50 Nm



BPR 60/65 D		
S/N 101692781065 ▶		12.13
Engine		Page 3 / 3
	69040078 1001 1	

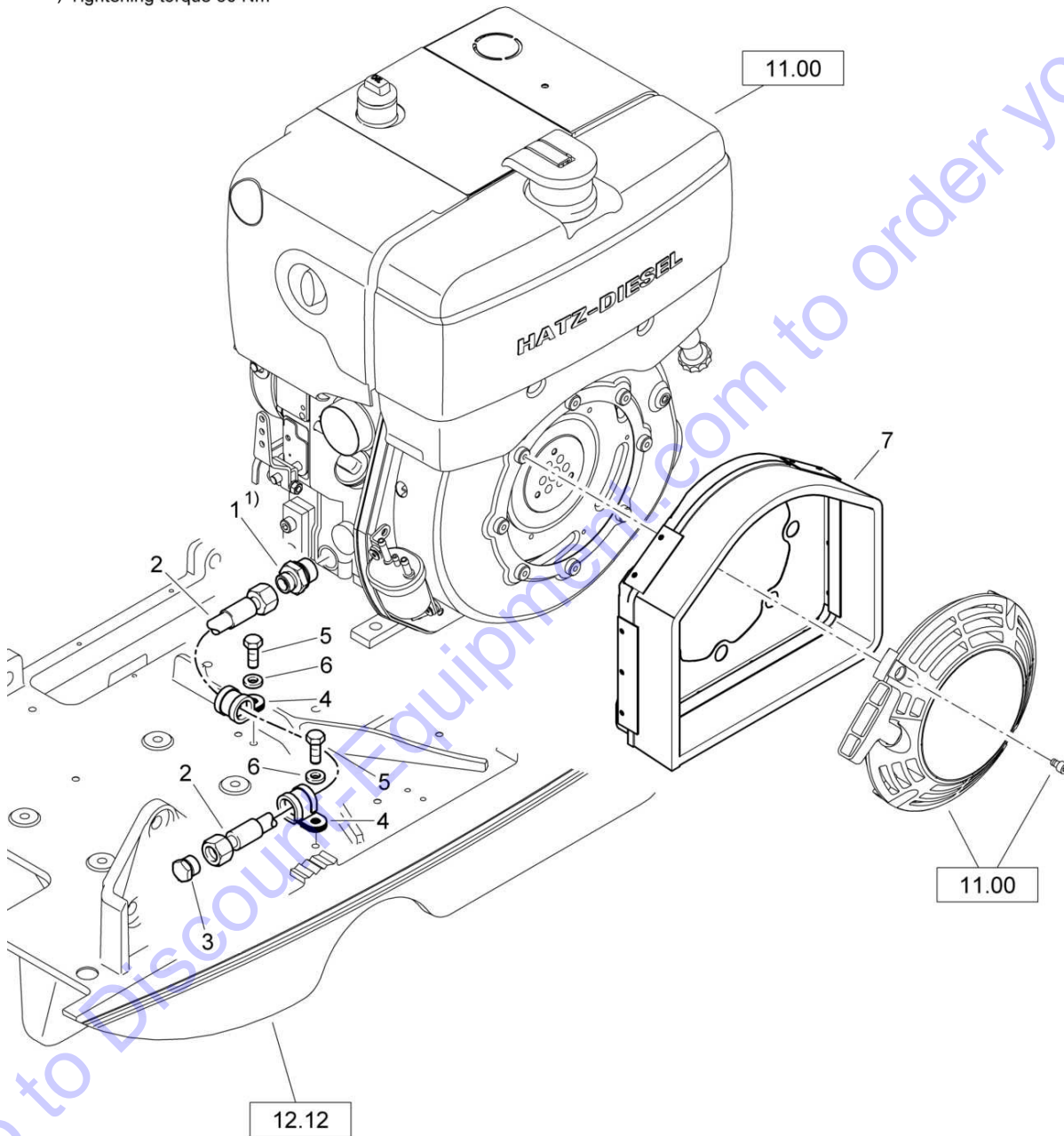
Pos. Part no. Qty. Description


1	05548029	1	Double-ended union
2	05555923	1	Hose assy.ac.WN3111
3	05546207	1	Locking cap
4	05551914	2	Tube clamp
5	07140818	2	Hexagon bolt
6	08510817	2	Washer
7	69040436	1	Intake duct

Go to Discount-Equipment.com to order your parts

BPR 60/65 D	
12.13	S/N 101692781001 ▶ S/N 101692781064
	Engine
Page 3 / 3	
BOMAG FAYAT GROUP	69040078_003_00

1) Tightening torque 50 Nm



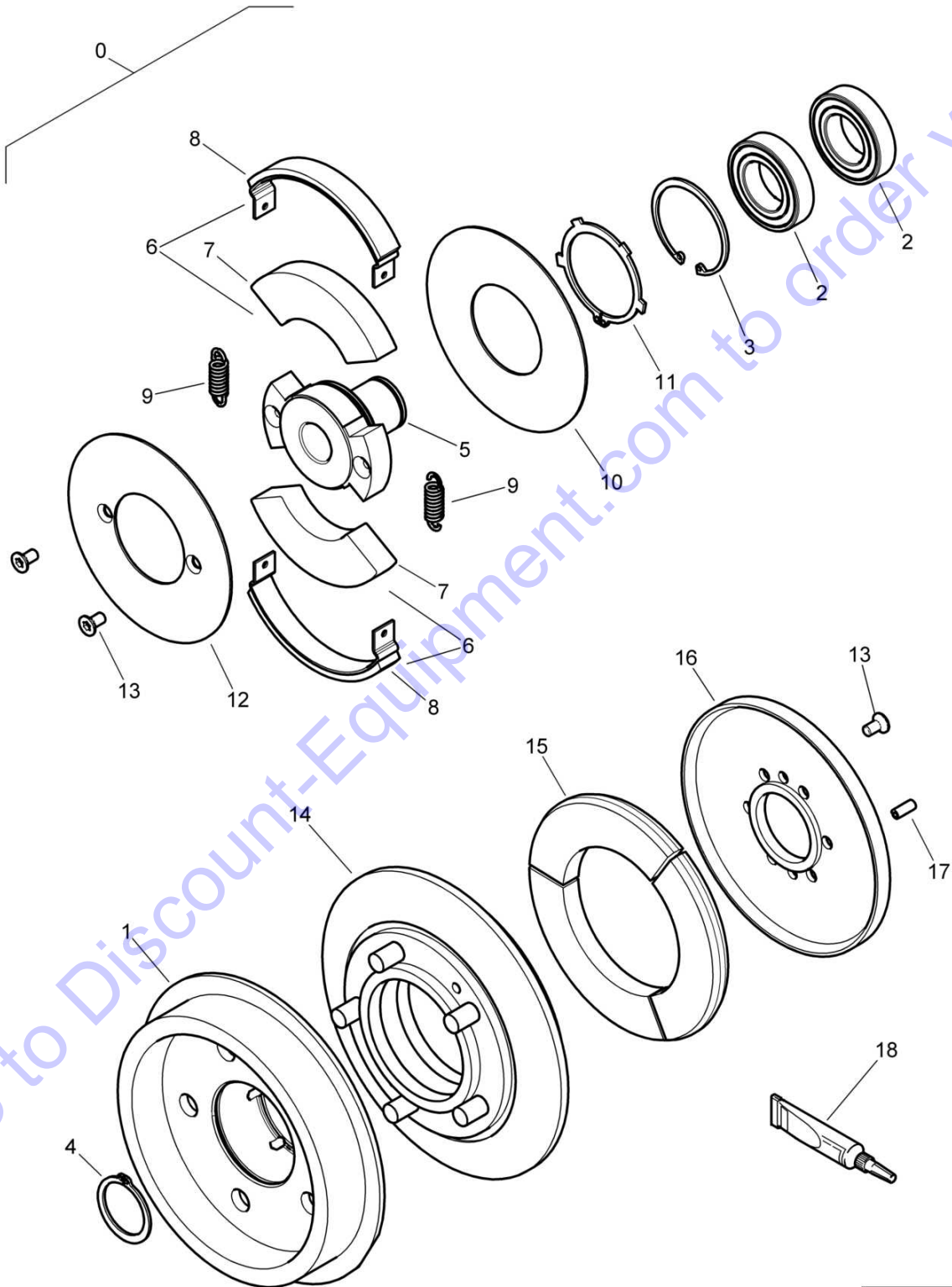
BPR 60/65 D		
S/N 101692781001 ▶ S/N 101692781064		12.13
Engine		Page 3 / 3
	69040078 1001 1	


Pos. Part no. Qty. Description

1	05548029	1	Double-ended union
2	05555923	1	Hose assy.ac.WN3111
3	05546207	1	Locking cap
4	05551914	2	Tube clamp
5	07140818	2	Hexagon bolt
6	08510817	2	Washer
7	69040409	1	Intake duct

Go to Discount-Equipment.com to order your parts

Centrifugal Clutch



BPR 60/65 D		
S/N 101692781001 ▶		19.07
Centrifugal Clutch		Page 1 / 1
	EA003095 1001 E	

Pos.	Part no.	Qty.	Description
0	05650156	1	Centrifugal clutch
1	05660198	1	>Coupling housing
2	05113306	2	>Ball bearing,grooved
3	09223300	1	>Circlip,internal
4	09211800	1	>Circlip,external
5	05660199	1	>Coupling hub
6	05660139	1	>Repair Kit
7	05660148	2	>>Centrifugal weight
8	05660219	2	>>Support with lining
9	05660220	2	>Tension spring
10	05660752	1	>Cover disc
11	09240055	1	>Circlip,external
12	05660750	1	>Cover disc
13	05660186	8	>Countersunk screw
14	05660212	1	>Belt pulley
15	05660149	1	>Centrifugal weight
16	05660213	1	>Covering disc
17	05660216	2	>Dowel pin
			Service Parts
18	05660188	1	Paste

Go to Discount-Equipment.com to order your parts

PARTS FINDER

**Search Website
by Part Number**



**Search Manual
Library For Parts
Manual & Lookup Part
Numbers – Purchase
or Request Quote**

Search Manuals

Enter your information to help us find the right parts manual for your machine.

* Brand:

* Model:

* Serial:

* Part Number:

SEARCH

**Can't Find Part or
Manual? Request Help
by Manufacturer,
Model & Description**

Parts Order Form

Please fill in the following information to help us find the right part for your machine.

MANUFACTURER:

MODEL:

DESCRIPTION:

SEARCH

Discount-Equipment.com is your online resource for quality parts & equipment.

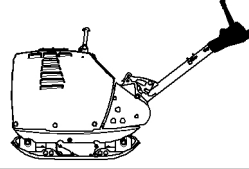
Florida: **561-964-4949** Outside Florida TOLL FREE: **877-690-3101**

Need parts?

Click on this link: <http://www.discount-equipment.com/category/5443-parts/> and choose one of the options to help get the right parts and equipment you are looking for. Please have the machine model and serial number available in order to help us get you the correct parts. If you don't find the part on the website or on one of the online manuals, please fill out the request form and one of our experienced staff members will get back to you with a quote for the right part that your machine needs.

We sell worldwide for the brands: Genie, Terex, JLG, MultiQuip, Mikasa, Essick, Whiteman, Mayco, Toro Stone, Diamond Products, Generac Magnum, Airman, Haulotte, Barreto, Power Blanket, Nifty Lift, Atlas Copco, Chicago Pneumatic, Allmand, Miller Curber, Skyjack, Lull, Skytrak, Tsurumi, Husquvarna Target, Stow, Wacker, Sakai, Mi-T-M, Sullair, Basic, Dynapac, MBW, Weber, Bartell, Bennar Newman, Haulotte, Ditch Runner, Menegotti, Morrison, Contec, Buddy, Crown, Edco, Wyco, Bomag, Laymor, EZ Trench, Bil-Jax, F.S. Curtis, Gehl Pavers, Heli, Honda, ICS/PowerGrit, IHI, Partner, Imer, Clipper, MMD, Koshin, Rice, CH&E, General Equipment, Amida, Coleman, NAC, Gradall, Square Shooter, Kent, Stanley, Tamco, Toku, Hatz, Kohler, Robin, Wisconsin, Northrock, Oztec, Toker TK, Rol-Air, APT, Wylie, Ingersoll Rand / Doosan, Innovatech, Con X, Ammann, Mecalac, Makinex, Smith Surface Prep, Small Line, Wanco, Yanmar

Power Transmission / Actuation



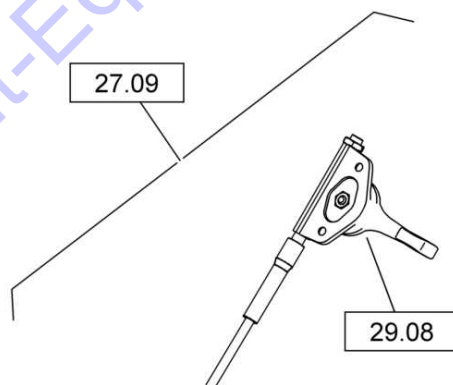
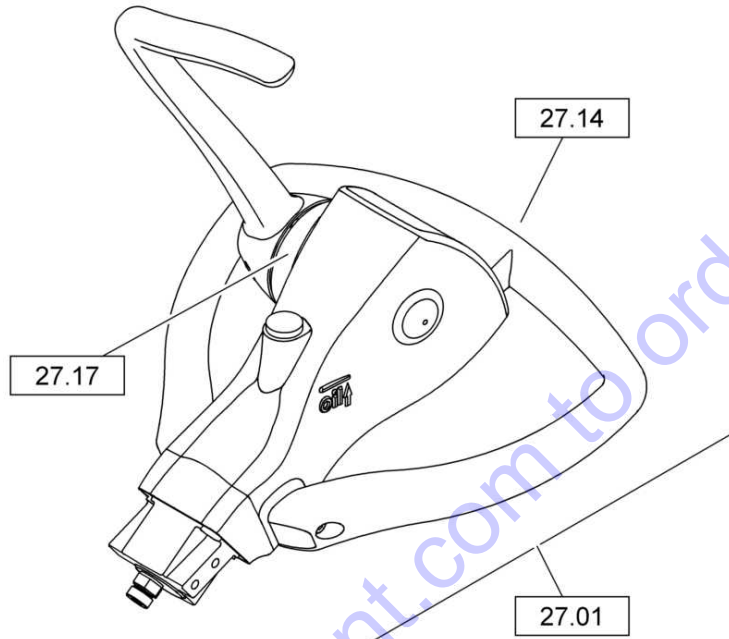
20

Go to Discount-Equipment.com to order your parts

20.00

Power Transmission / Actuation

Page /



Power Transmission / Actuation

20.00

Page /

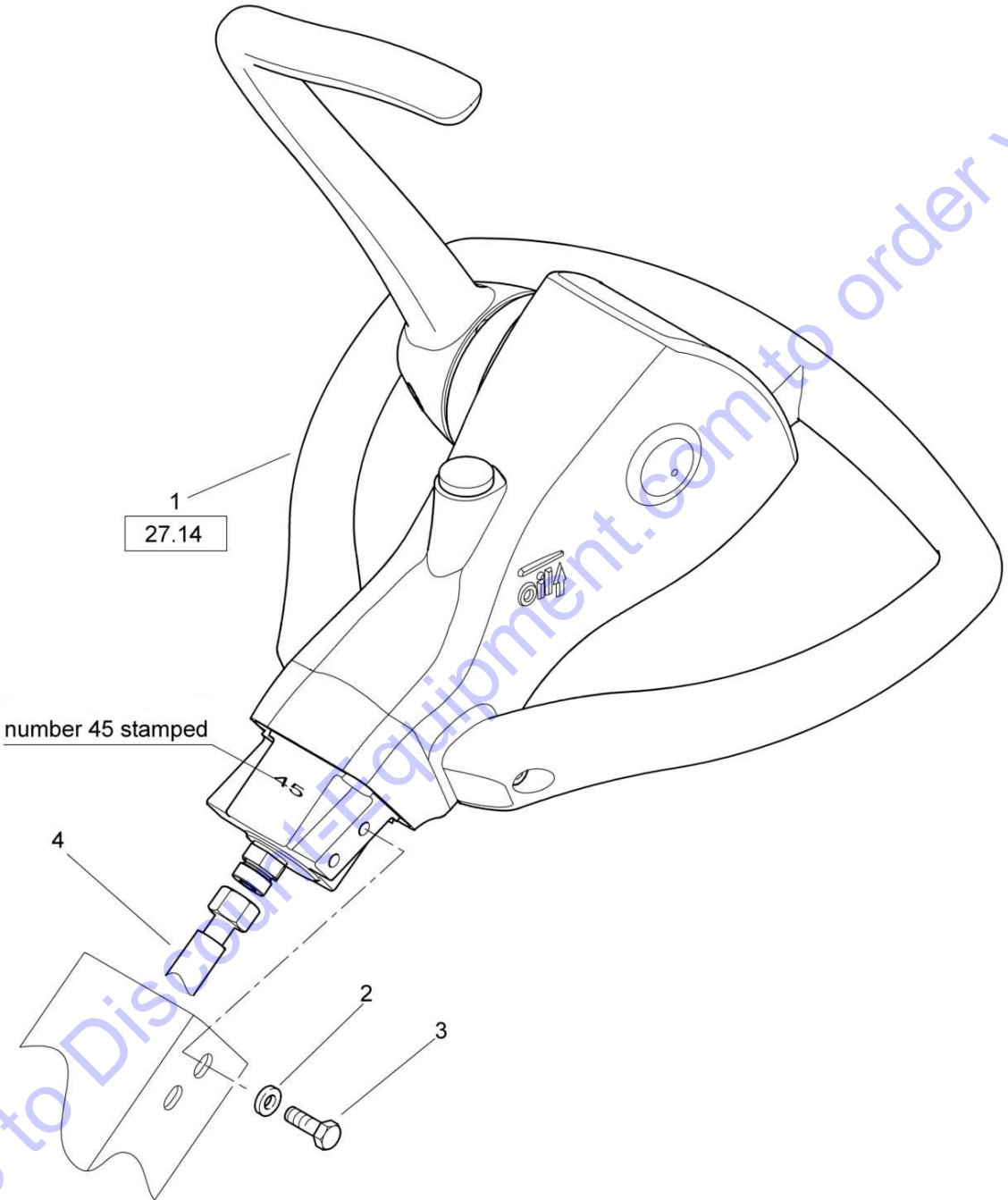


Pos. Description


- 27.01 Travel Actuation
- 27.09 Throttle Control
- 27.14 Steering rod head
- 27.17 Detent, assembled

Go to Discount-Equipment.com to order your parts

	BPR 60/65 D	S/N 101692781001 ▶
27.01	Travel Actuation	
Page 1 / 1		
BOMAG FAYAT GROUP	69110032_000_01	

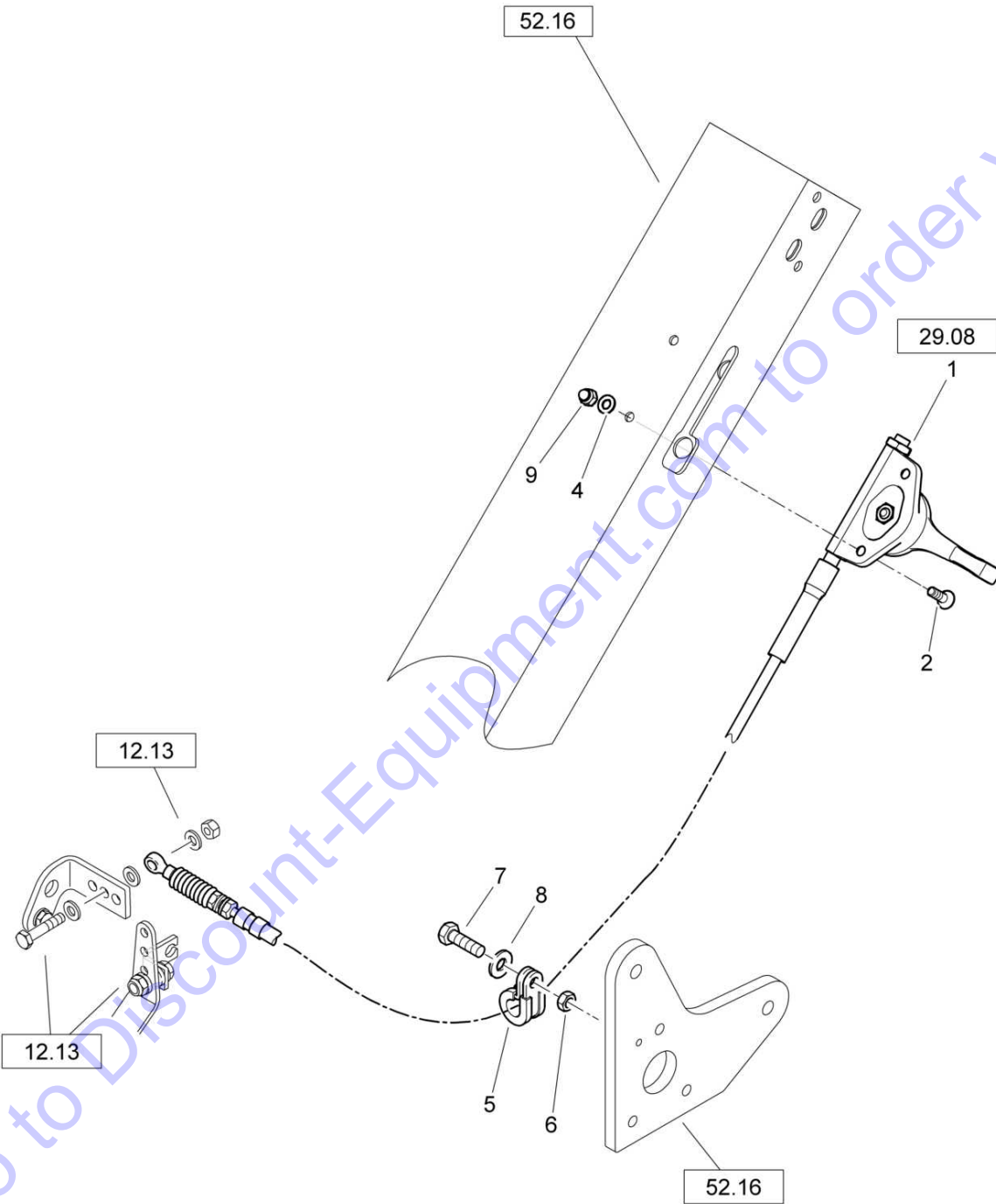



Go to DiscountedEquipment.com to order your parts

BPR 60/65 D		
S/N 101692781001 ▶		27.01
Travel Actuation		Page 1 / 1
	69110032 1001 1	

Pos.	Part no.	Qty.	Description
1	69110183	1	Steering rod head, assembled
2	08510817	4	Washer
3	07140824	4	Hexagon bolt
4	05554757	1	Hose

Go to Discount-Equipment.com to order your parts



BPR 60/65 D		
S/N 101692781001 ▶		
Throttle Control		27.09
		Page 1 / 1
	69100073 1001 1	

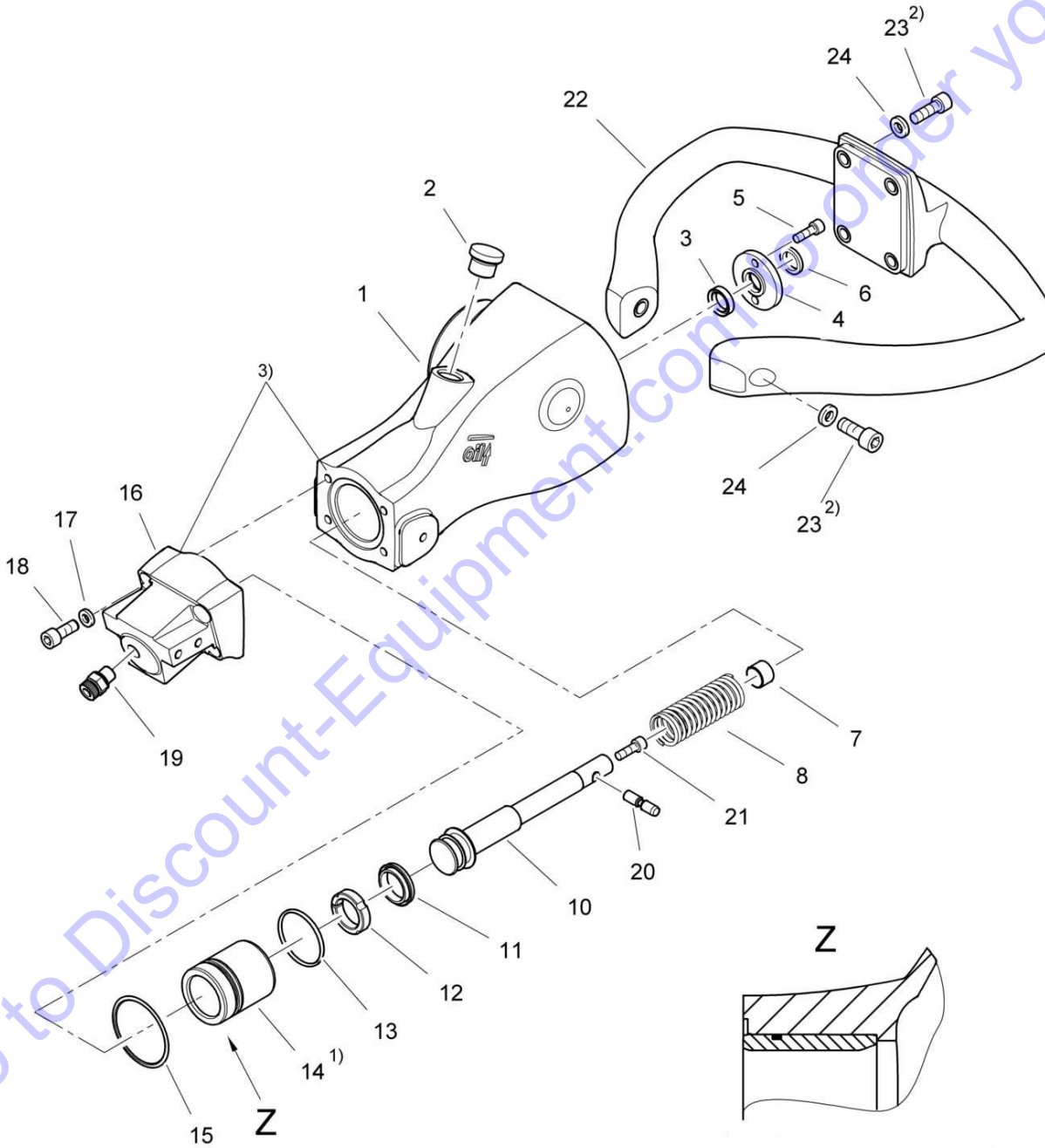
Pos.	Part no.	Qty.	Description
1	05561621	1	Throttle control
2	07320508	2	Countersunk screw
4	08510511	2	Washer
5	05551941	1	Tube clamp
6	08110813	1	Hexagon nut
7	07140633	1	Hexagon bolt
8	08510612	1	Washer
9	08240510	2	Domed cap nut

Go to Discount-Equipment.com to order your parts


	BPR 60/65 D
27.14	S/N 101692781001 ▶
	Steering rod head
Page 1 / 2	
BOMAG FAYAT GROUP	69110183_001_00

2) Tightening torque 25 Nm

3) Surface sealed Gasketing, low strength (00970016)



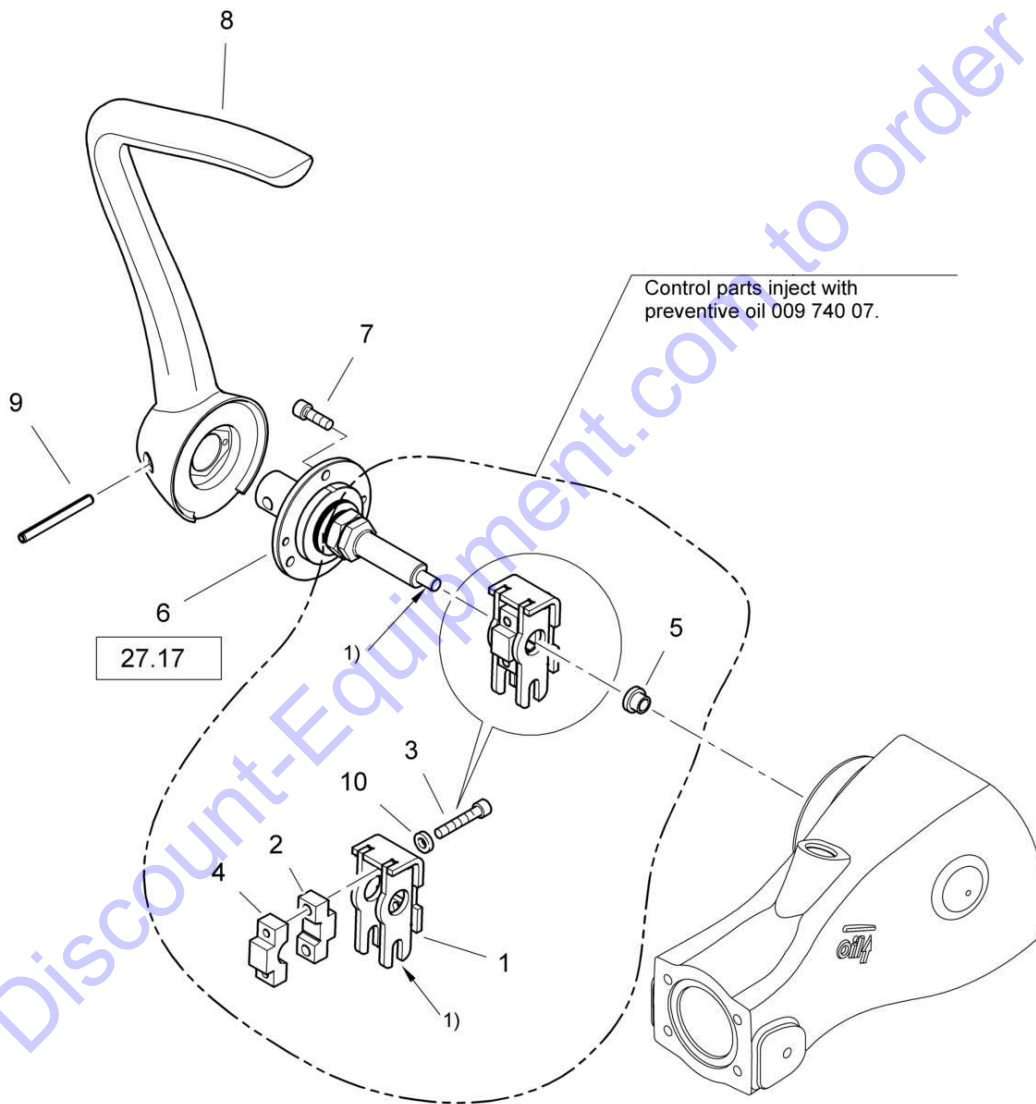
1) observe mounting direction

BPR 60/65 D		
S/N 101692781001 ▶		27.14
Steering rod head		Page 1 / 2
		
		69110183 1001 1


Pos.	Part no.	Qty.	Description
1	69110178	1	Housing
2	05546051	1	Screw plug with seal
3	06245060	1	Sealing ring
4	69110147	1	Sealing lid
5	07230605	2	Socket-head cap screw
6	05568996	1	Scraper
7	06283067	1	Bushing
8	05661356	1	Pressure spring
10	69110224	1	Piston rod
11	69110218	1	Piston seal
12	68150109	1	Guide bush
13	06220401	1	Loop ring
14	69110184	1	Bushing
15	06220530	1	Loop ring
16	69110161	1	Flange
17	08650817	4	Washer
18	07230822	4	Socket-head cap screw
19	05548022	1	Double-ended union
20	69110123	1	Bolt
21	69110122	1	Socket-head cap screw
22	69110164	1	Handle
23	07230822	6	Socket-head cap screw
24	08650817	6	Washer

Go to Discount-Equipment.com to order your parts

	BPR 60/65 D	S/N 101692781001 ▶
27.14	Steering rod head	
Page 2 / 2		
BOMAG FAYAT GROUP	69110183_002_03	



1) insert with grease 00996007

BPR 60/65 D	
S/N 101692781001 ▶	27.14
Steering rod head	Page 2 / 2
	
69110183 1001 1	

Pos.	Part no.	Qty.	Description
1	69110190	1	Lever
2	69110219	1	Driver
3	07230623	2	Socket-head cap screw
4	69110220	1	Driver
5	06282084	1	Bushing
6	69110222	1	Detent, assembled
7	07230613	3	Socket-head cap screw
8	69110188	1	Travel lever
9	09160817	1	Dowel pin
10	06270009	2	Wedge safety washer

Go to Discount-Equipment.com to order your parts

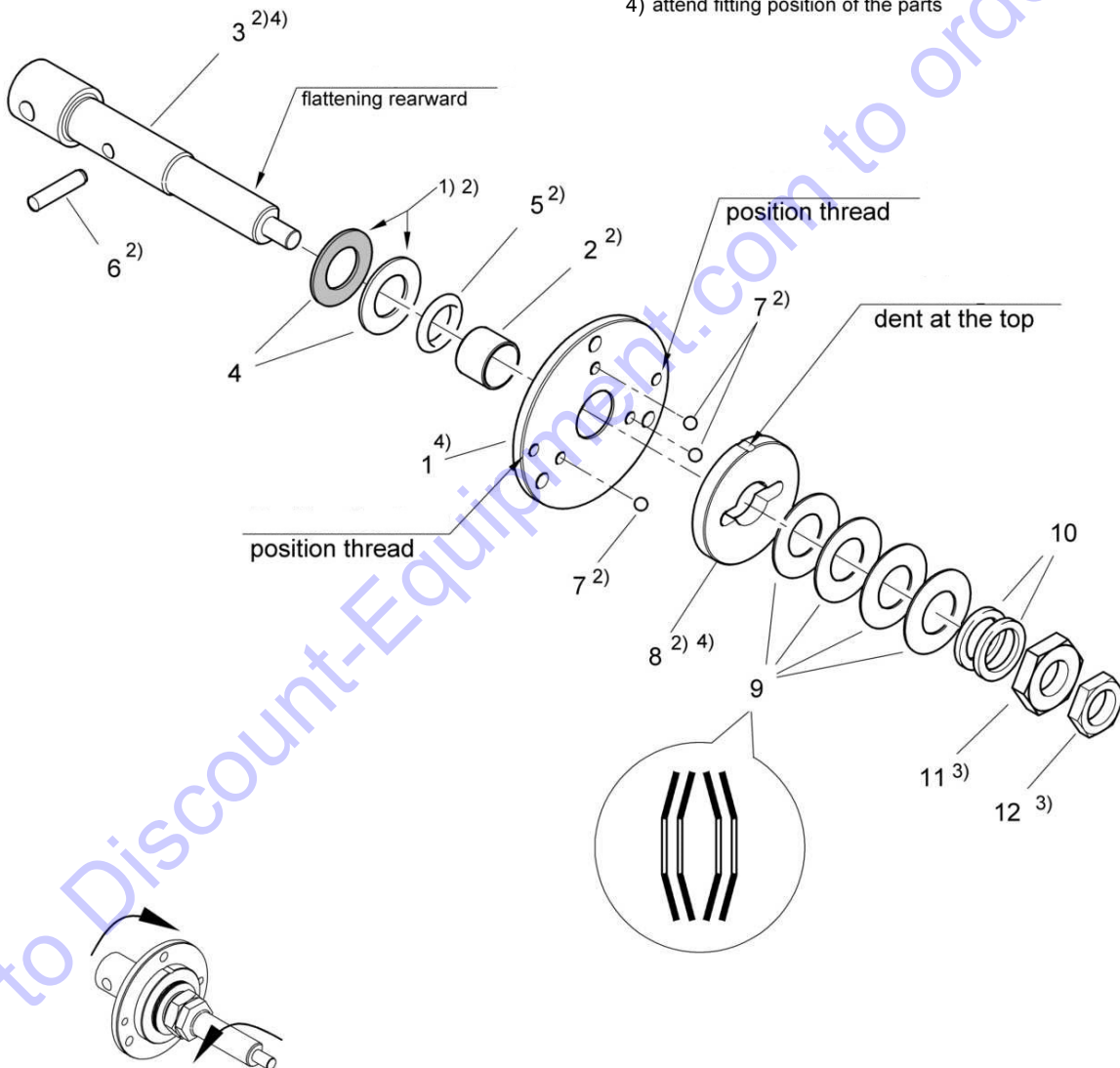
27.17**Detent, assembled**Page **1 / 1**


1) Sliding surface face together

2) insert with grease 00996007

3) tightend and lock the nuts to adjust the holding torque of the defend up to 25^{+3} Nm.

4) attend fitting position of the parts

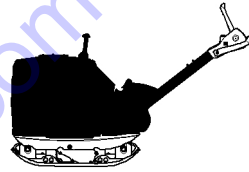


BPR 60/65 D	
S/N 101692781001 ▶	27.17
Detent, assembled	Page 1 / 1
69110222 1001 1	

Pos.	Part no.	Qty.	Description
1	69110186	1	Flange
2	06283093	1	Bushing
3	69110221	1	Control shaft
4	05586256	2	Stop disc
5	06220183	1	Loop ring
6	97204693	1	Pin,cylindric
7	05340050	3	Ball
8	69110199	1	Stop disc
9	09290350	4	Belleville spring
10	05520416	2	Supporting disc
11	08121815	1	Hexagon nut
12	05542918	1	Nut

Go to Discount-Equipment.com to order your parts

Frame with Attachment Parts



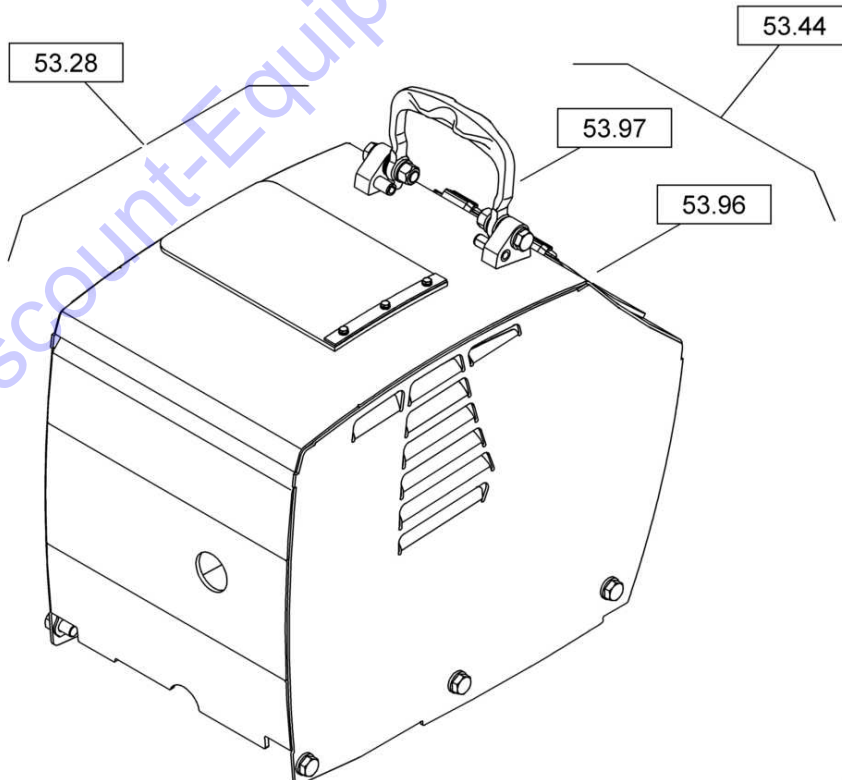
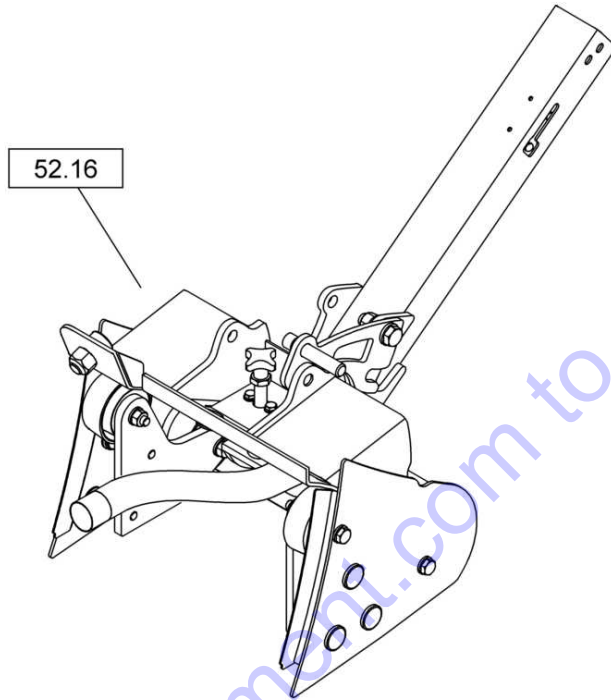
50


Go to Discount-Equipment.com to order your parts

50.00

Frame with Attachment Parts

Page /



Frame with Attachment Parts	50.00
	Page /
	

Pos. Description

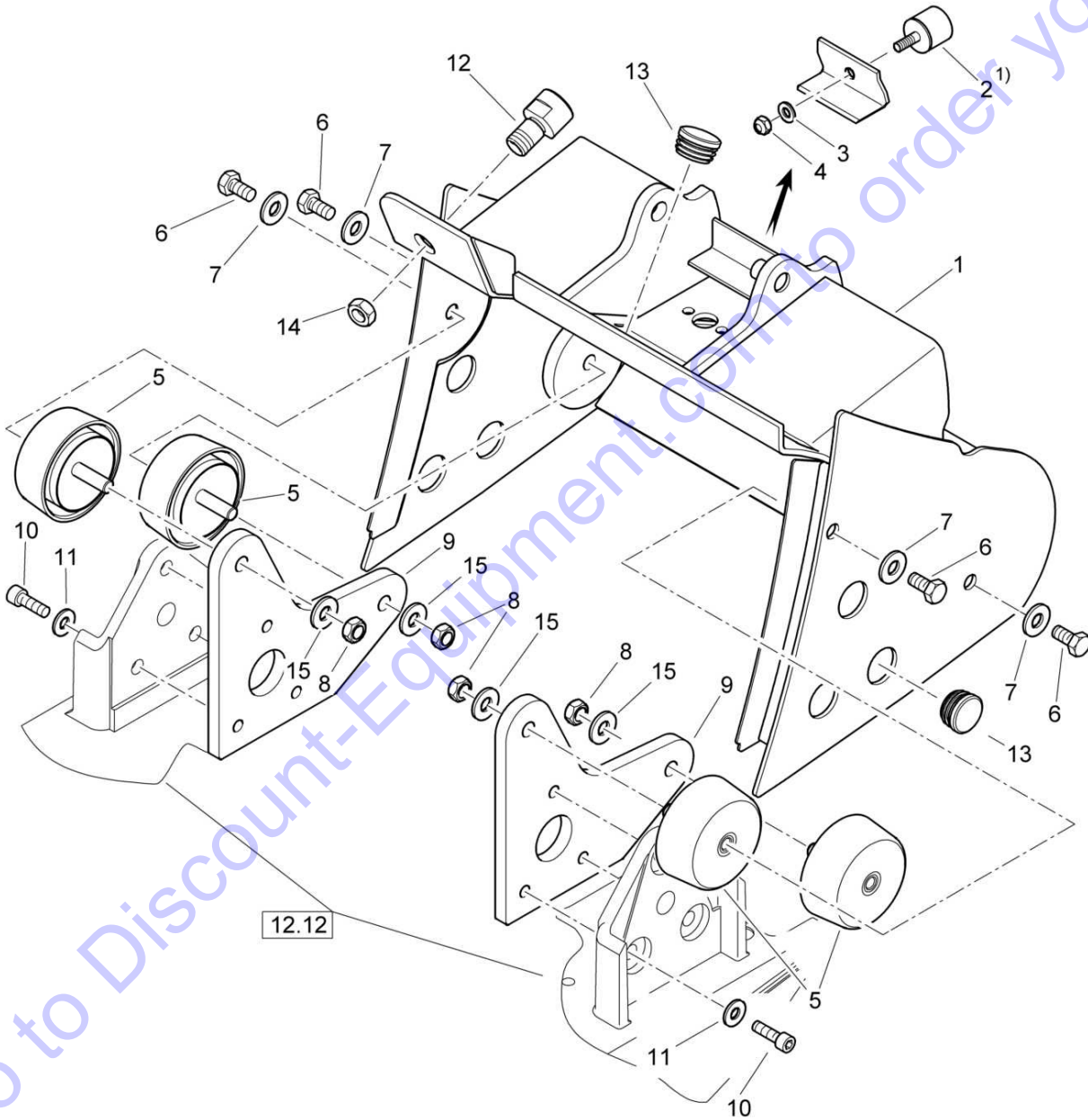
- 52.16 Steering Handle
- 53.28 Protection hood
- 53.44 Hood, assembled
- 53.96 Flap, assembled
- 53.97 Single-point suspens., assembled


Go to Discount-Equipment.com to order your parts



	BPR 60/65 D	
52.16		S/N 101692781065 ▶
	Steering Handle	
Page 1 / 3		
BOMAG FAYAT GROUP	69060060_001_01	

1) Tightening torque 15 Nm



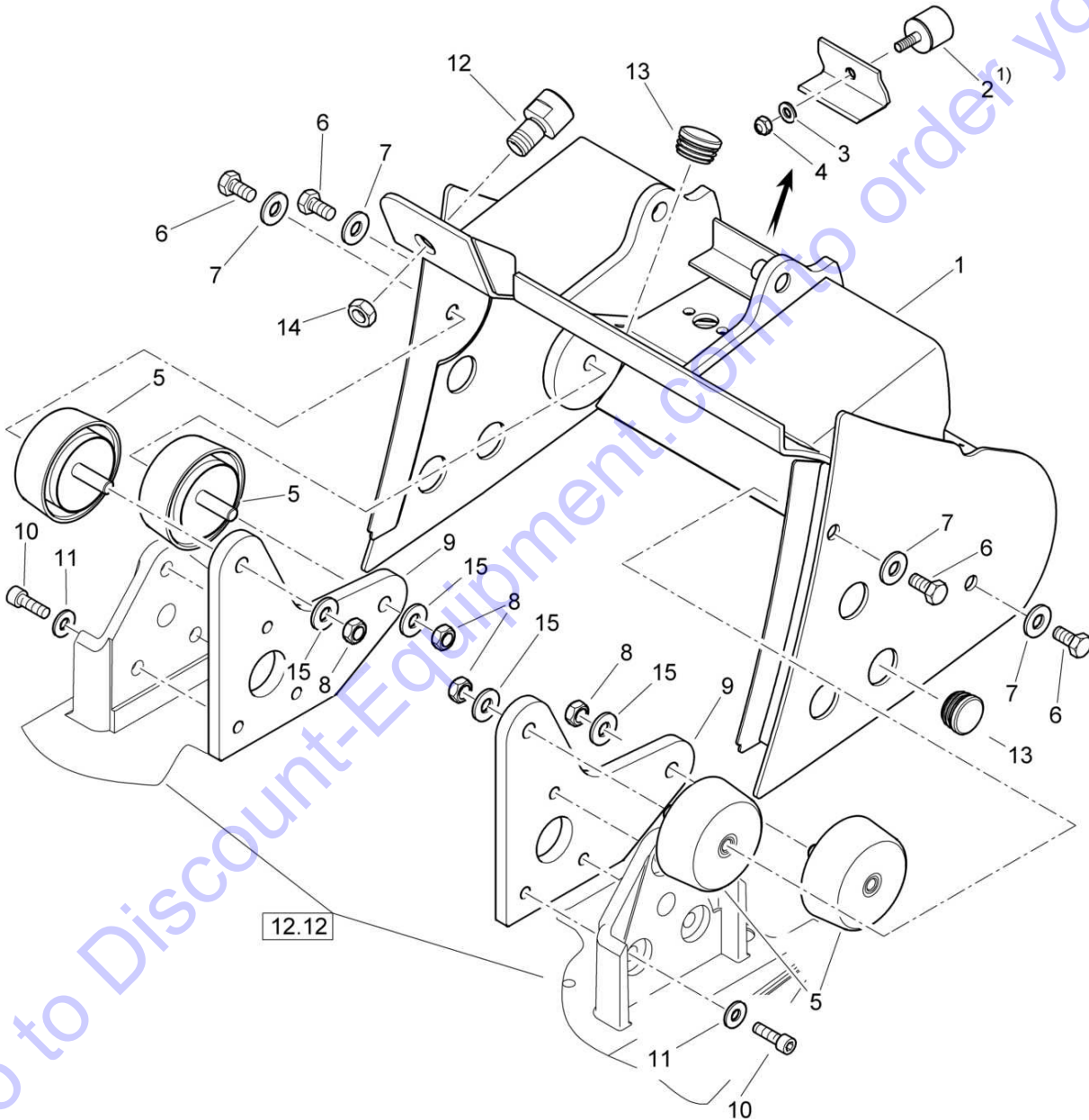
BPR 60/65 D		
S/N 101692781065 ▶		
Steering Handle		52.16
		Page 1 / 3
	69060060 1001 1	


Pos.	Part no.	Qty.	Description
1	69060477	1	Console
2	06142915	1	Stop buffer
3	08510817	1	Washer
4	08130813	1	Safety nut
5	69060159	4	Spring element
6	07141231	4	Hexagon bolt
7	08511323	4	Washer
8	08111218	4	Hexagon nut
9	69060158	2	Side piece
10	07231207	6	Socket-head cap screw
11	08511324	6	Washer
12	69060156	1	Sleeve
13	06510384	7	Plug
14	08132026	1	Safety nut
15	08511324	4	Washer

Go to Discount-Equipment.com to order your parts

BPR 60/65 D	
52.16	S/N 101692781001 ▶ S/N 101692781064
	Steering Handle
Page 1 / 3	
BOMAG FAYAT GROUP	69060060_001_00

1) Tightening torque 15 Nm



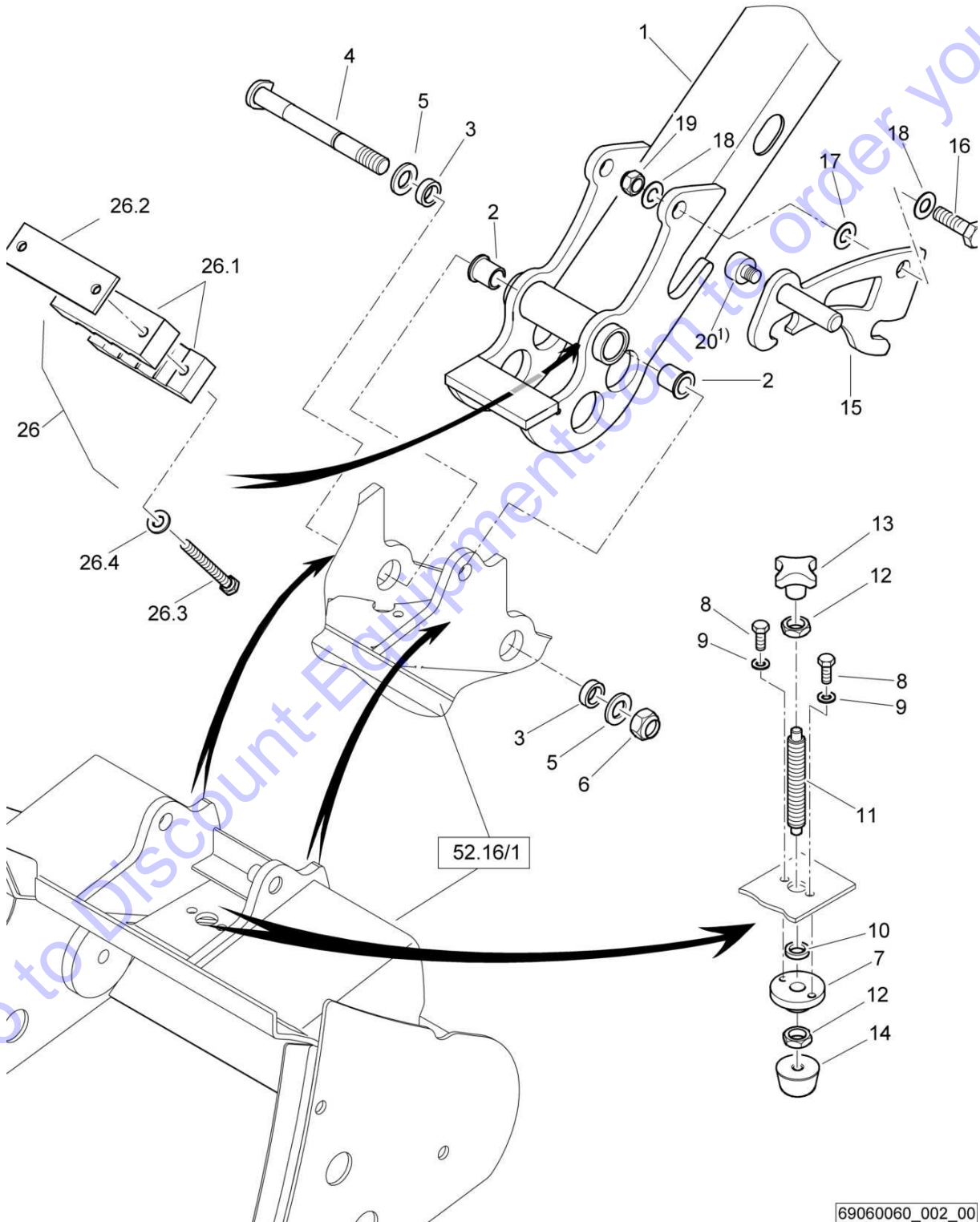
BPR 60/65 D		
S/N 101692781001 ▶ S/N 101692781064		
Steering Handle		52.16
		Page 1 / 3
	69060060 1001 1	

Pos.	Part no.	Qty.	Description
1	69060447	1	Console
2	06142915	1	Stop buffer
3	08510817	1	Washer
4	08130813	1	Safety nut
5	69060159	4	Spring element
6	07141231	4	Hexagon bolt
7	08511323	4	Washer
8	08111218	4	Hexagon nut
9	69060158	2	Side piece
10	07231207	6	Socket-head cap screw
11	08511324	6	Washer
12	69060156	1	Sleeve
13	06510384	7	Plug
14	08132026	1	Safety nut
15	08511324	4	Washer


Go to Discount-Equipment.com to order your parts

	BPR 60/65 D	
52.16		S/N 101692781001 ▶
	Steering Handle	
Page 2 / 3		
BOMAG FAYAT GROUP		69060060_002_00

1) Tightening torque 6 Nm



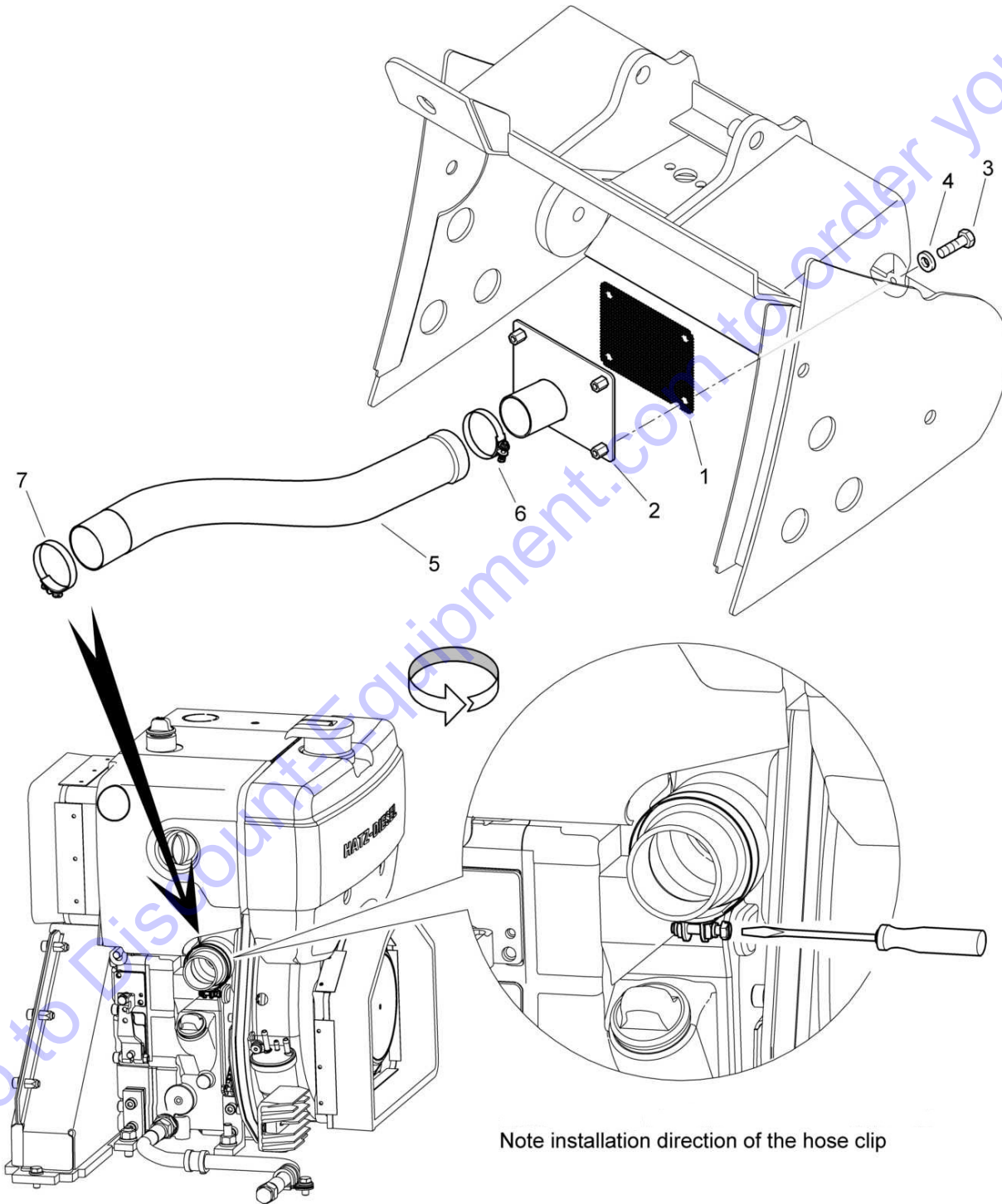
69060060_002_00


BPR 60/65 D	
S/N 101692781001 ▶	52.16
Steering Handle	Page 2 / 3
69060060 1001 1	

Pos.	Part no.	Qty.	Description
1	69060376	1	Steering handle
2	06282203	2	Bushing
3	69060182	2	Bushing
4	69060179	1	Threaded bolt
5	08512136	2	Washer
6	08132026	1	Safety nut
7	69440120	1	Seal
8	07140824	2	Hexagon bolt
9	08510817	2	Washer
10	68110147	1	Sealing ring
11	73060114	1	Threaded rod
12	08141620	2	Hexagon nut
13	06421265	1	Star knob
14	06147115	1	Stop buffer
15	69060334	1	Lever
16	07141649	1	Hexagon bolt
17	09293152	1	Belleville spring
18	08511730	2	Washer
19	08131621	1	Safety nut
20	06140985	1	Stop buffer
26	69060460	1	Holder,assembled
26.1	69060206	1	Pillow block
26.2	69060147	1	Flat steel
26.3	07140665	2	Hexagon bolt
26.4	08510612	2	Washer

Go to Discount-Equipment.com to order your parts





BPR 60/65 D		
S/N 101692781001 ▶		52.16
Steering Handle		Page 3 / 3
	69060060 1001 1	

Pos. Part no. Qty. Description

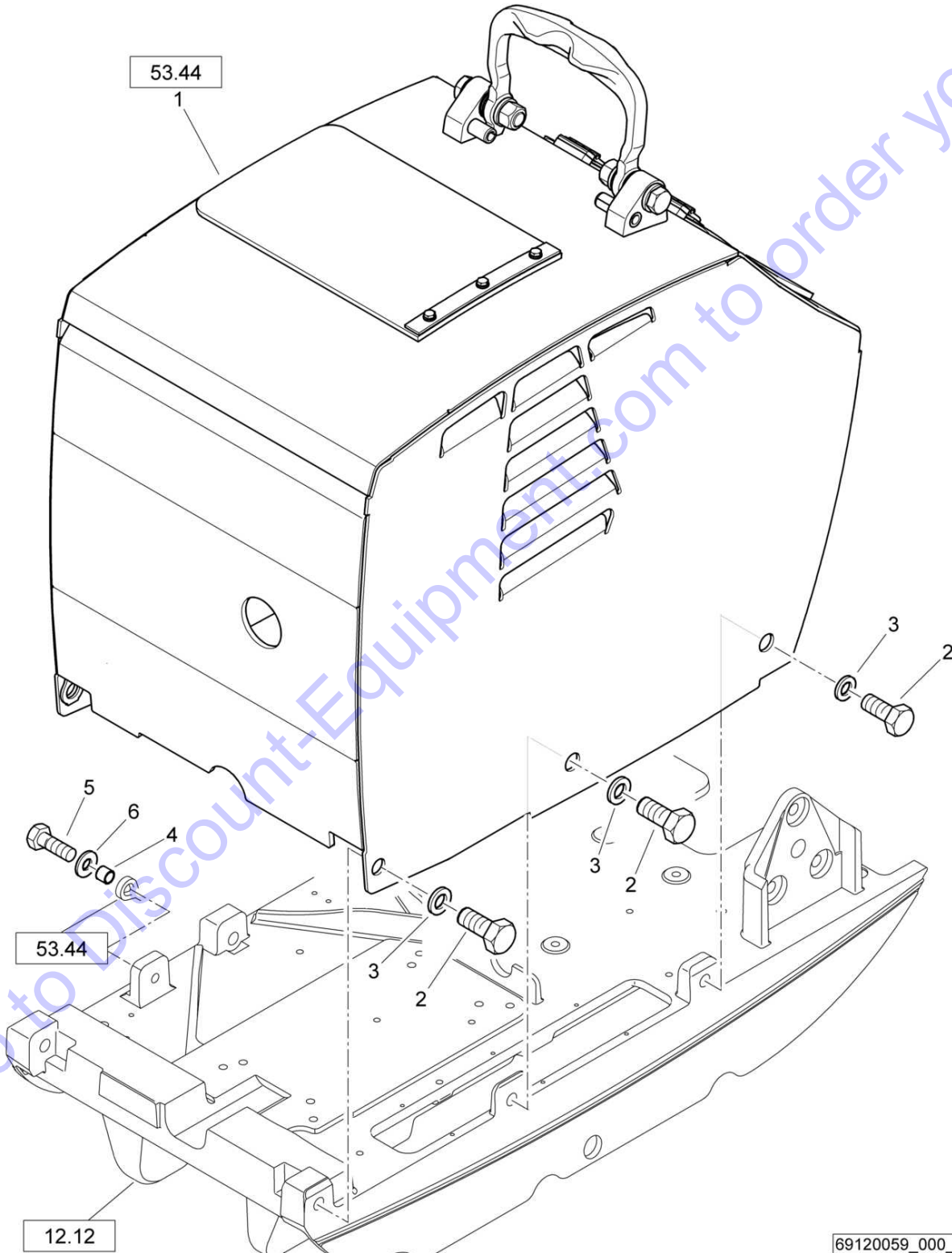
1	69060160	1	Grid
2	69060391	1	Socket
3	07140633	4	Hexagon bolt
4	08510612	4	Washer
5	69060453	1	Suction hose
6	05552406	1	Hose clip
7	05552408	1	Hose clip


Go to Discount-Equipment.com to order your parts



53.28

Protection hood

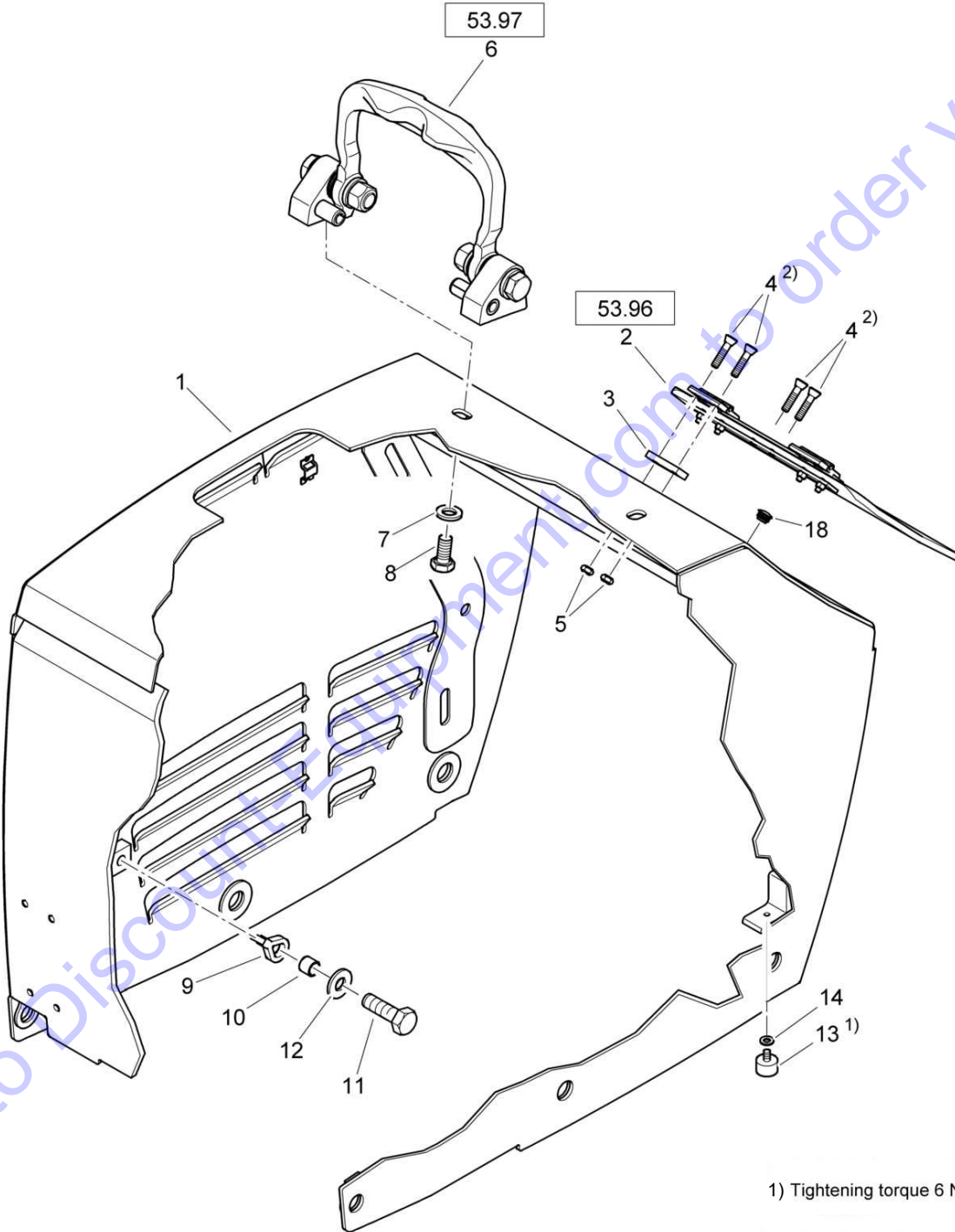


BPR 60/65 D		
S/N 101692781001 ▶		
Protection hood		53.28
		Page 1 / 1
	69120059 1001 1	 BOMAG FAYAT GROUP

Pos.	Part no.	Qty.	Description
1	69120931	1	Hood, assembled
2	07141631	6	Hexagon bolt
3	08511732	6	Washer
4	70060114	1	Sleeve
5	07141224	1	Hexagon bolt
6	08752130	1	Spring washer


Go to Discount-Equipment.com to order your parts





1) Tightening torque 6 Nm

2) Tightening torque 3 Nm

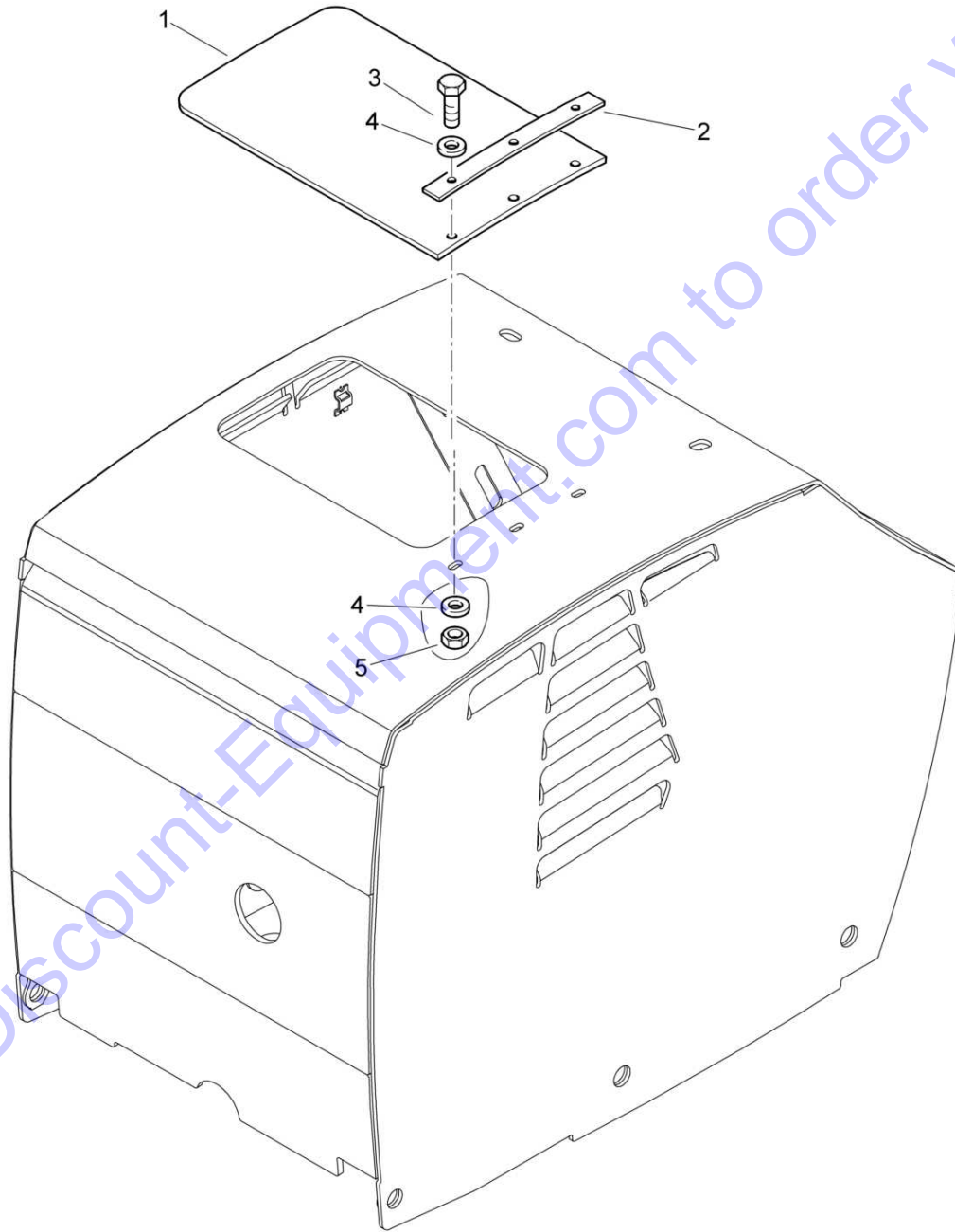
BPR 60/65 D	
S/N 101692781001 ▶	
Hood, assembled	53.44
	Page 1 / 2
	
69120931 1001 1	

Pos.	Part no.	Qty.	Description
1	69120905	1	Hood
2	69120836	1	Flap,assembled
3	69120111	2	Flat steel
4	07320523	6	Countersunk screw
5	08130508	6	Safety nut
6	69120833	1	Single-point suspens.,assembled
7	08752130	2	Spring washer
8	07141224	2	Hexagon bolt
9	69120127	1	Rope
10	70060114	1	Sleeve
11	07141224	1	Hexagon bolt
12	08752130	1	Spring washer
13	06140945	1	Stop buffer
14	08510612	1	Washer
18	06510215	1	Plug


Go to Discount-Equipment.com to order your parts



	BPR 60/65 D	S/N 101692781001 ▶
53.44	Hood, assembled	
Page 2 / 2		
BOMAG FAYAT GROUP	69120931_002_00	



Go to Discount-Equipment.com to order your parts

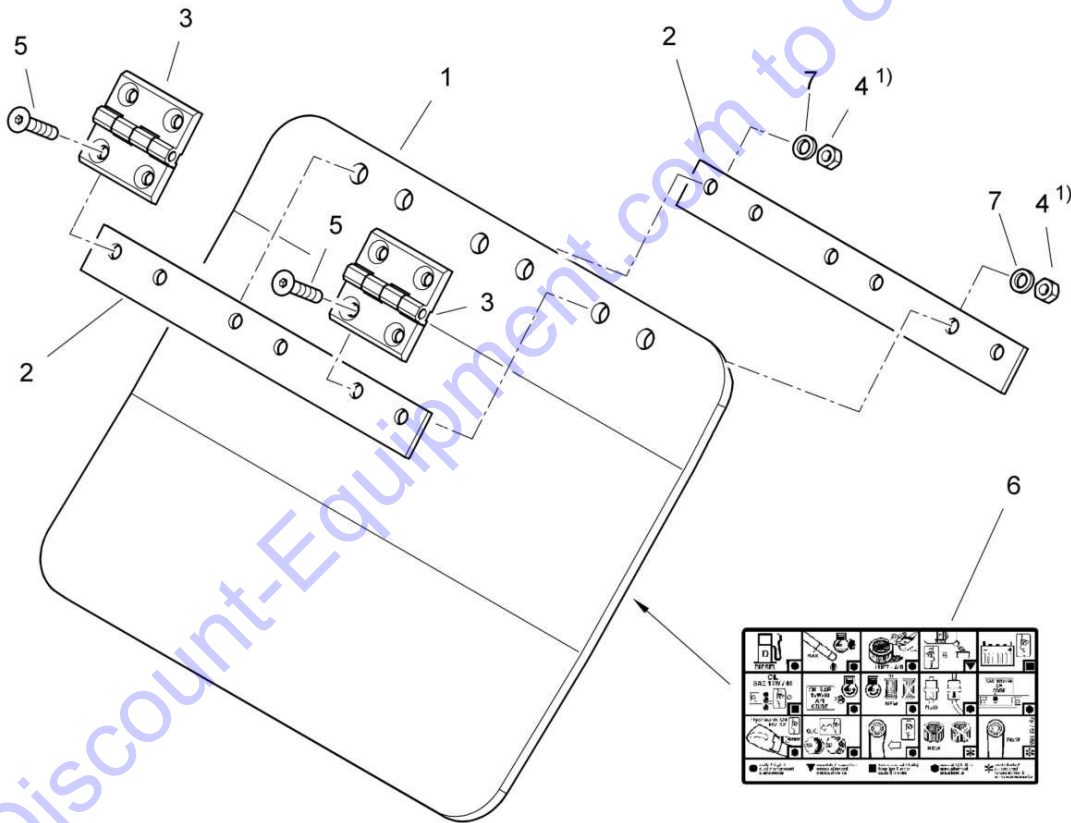
BPR 60/65 D	
S/N 101692781001 ▶	
Hood, assembled	53.44
	Page 2 / 2
	
69120931 1001 1	

Pos. Part no. Qty. Description


1	69120142	1	Cover plate
2	69120122	1	Strip steel
3	07140641	3	Hexagon bolt
4	08510612	6	Washer
5	08130611	3	Safety nut

Go to Discount-Equipment.com to order your parts





1) Tightening torque 3 Nm

BPR 60/65 D	
S/N 101692781001 ▶	
Flap, assembled	53.96
	Page 1 / 1
	
69120836 1001 1	

Pos.	Part no.	Qty.	Description
1	69120141	1	Cover plate
2	69120118	2	Strip steel
3	05939180	2	Hinge
4	08130508	4	Safety nut
5	07320523	4	Countersunk screw
6	00832745	1	Decal,maintenance instr.
7	08510511	4	Washer

Go to Discount-Equipment.com to order your parts



BPR 60/65 D

S/N 101692781001 ▶

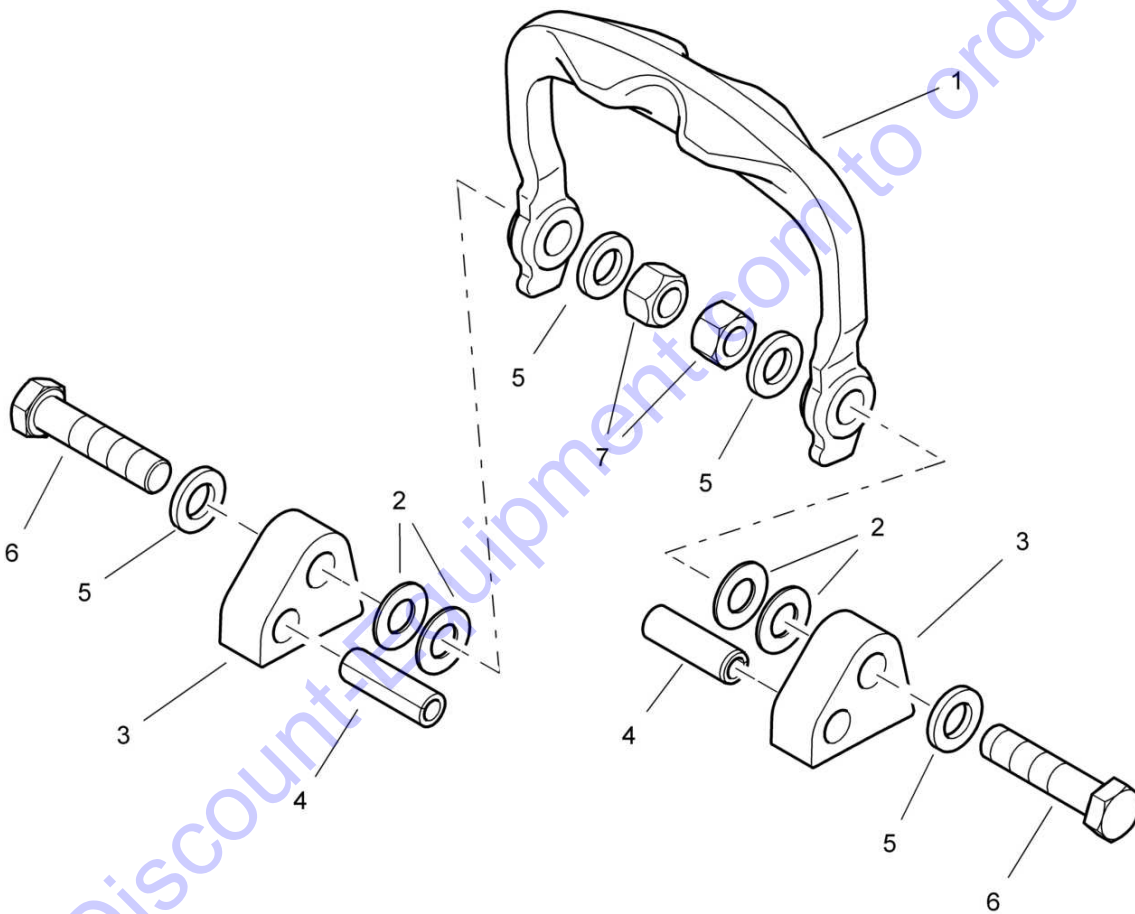
53.97

Single-point suspension, assembled


Page **1 / 1**



69120833_000_00



69120833_000_00

BPR 60/65 D	
S/N 101692781001 ▶	
Single-point suspension, assembled	53.97
	Page 1 / 1
	
69120833 1001 1	

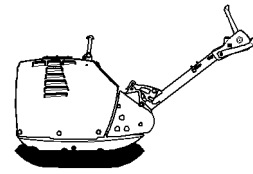
Pos.	Part no.	Qty.	Description
1	69120568	1	Single-point-lifting-dev.
2	09293152	4	Belleville spring
3	69120138	2	Holder
4	09151615	2	Dowel pin
5	08511730	4	Washer
6	07131624	2	Hexagon bolt
7	08131621	2	Safety nut

Go to Discount-Equipment.com to order your parts



Go to Discount-Equipment.com to order your parts

Plate / Foot



65

65.00

Plate / Foot

Page /

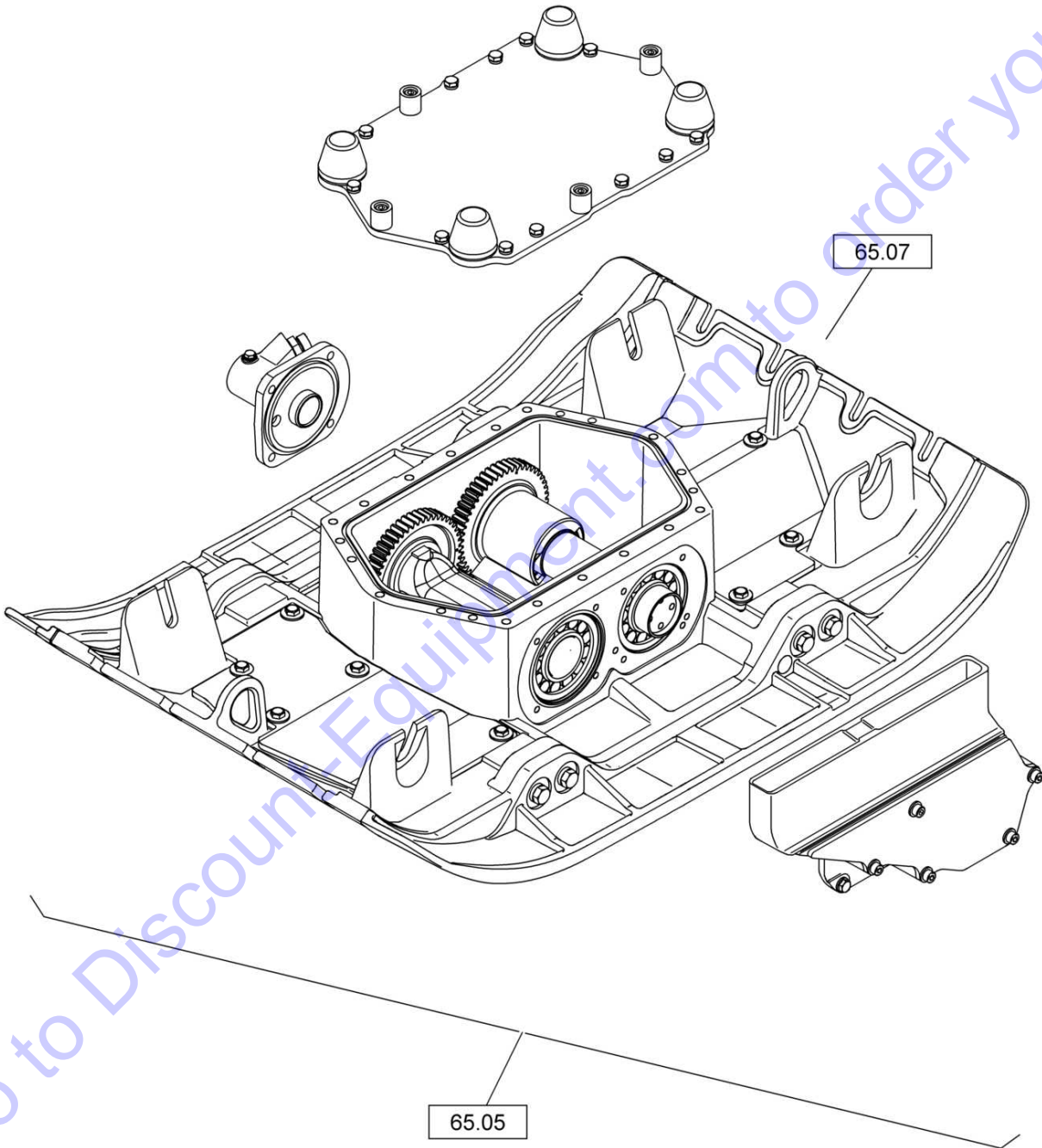



Plate / Foot	65.00
	Page /
	

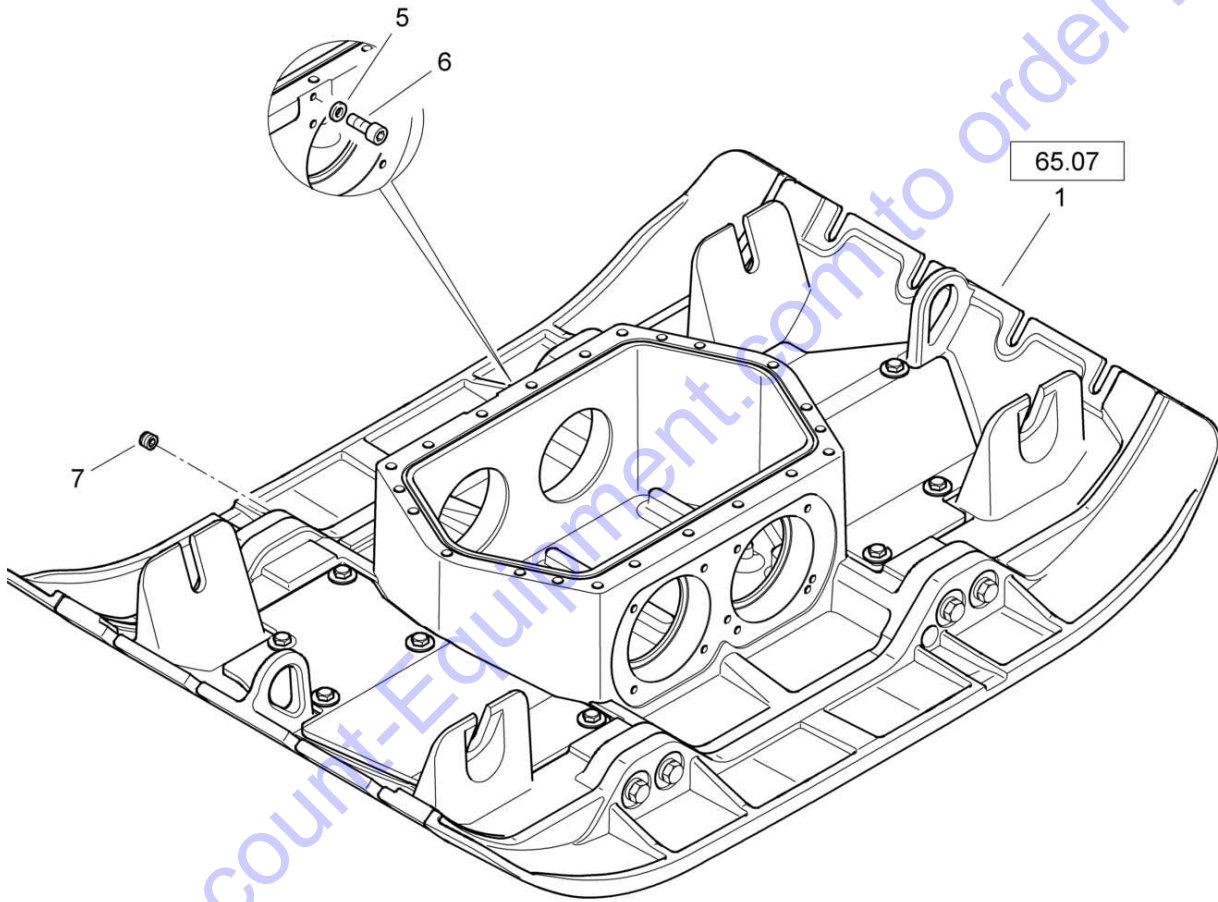
Pos. Description


- 65.05 Base Plate
- 65.07 Base plate,assembled

Go to Discount-Equipment.com to order your parts



	BPR 60/65 D	S/N 101692781001 ▶
65.05	Base Plate	
Page 1 / 3		
BOMAG FAYAT GROUP		69020066_001_00



BPR 60/65 D	
S/N 101692781001 ▶	
Base Plate	65.05
	Page 1 / 3
	 BOMAG FAYAT GROUP
69020066 1001 1	

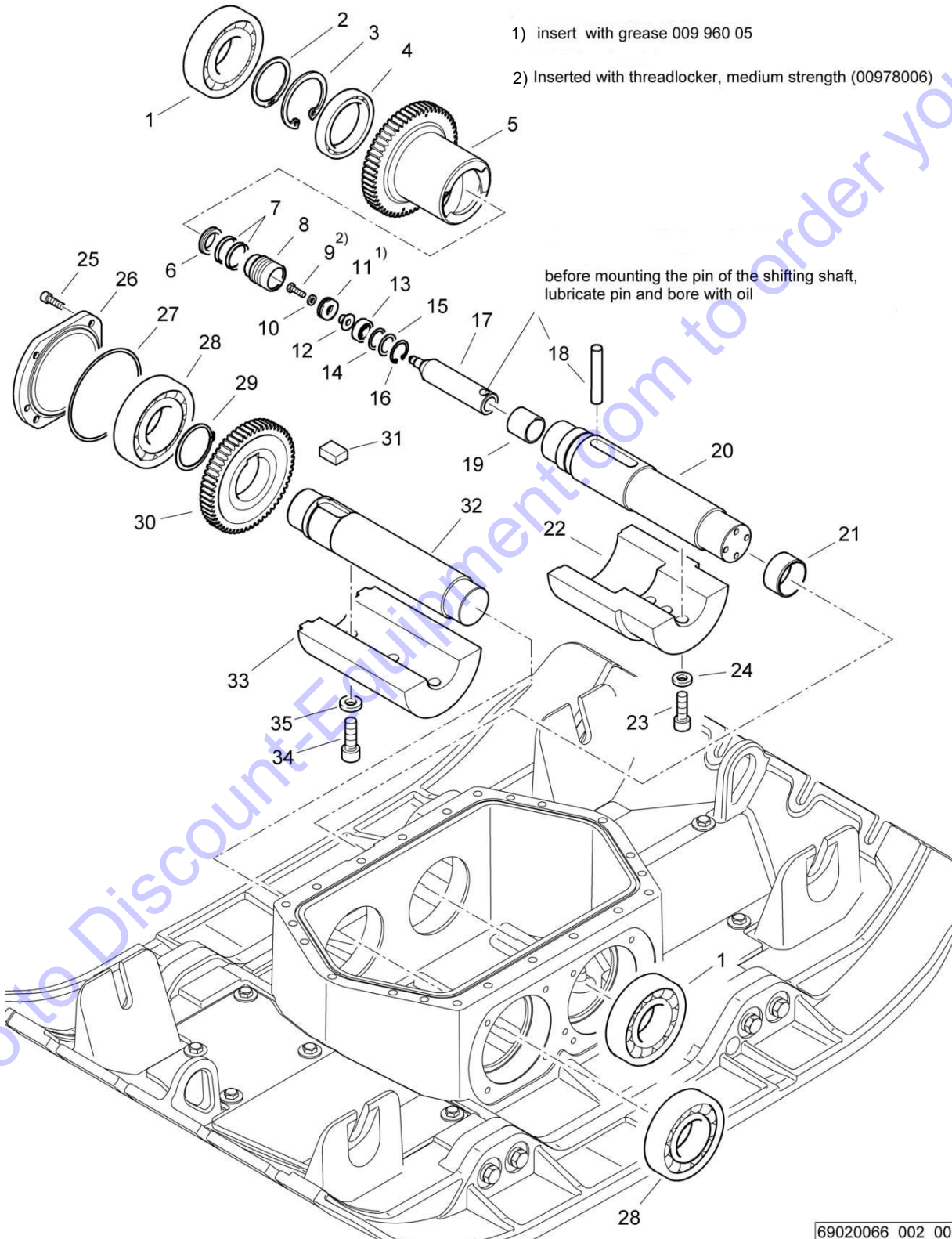
Pos.	Part no.	Qty.	Description
1	69020742	1	Base plate,assembled
5	08510817	1	Washer
6	07230806	1	Socket-head cap screw
7	07611415	1	Screw plug

Go to Discount-Equipment.com to order your parts




65.05**Base Plate**Page **2 / 3**

69020066_002_00



69020066_002_00

BPR 60/65 D	
S/N 101692781001 ▶	65.05
Base Plate	Page 2 / 3
	
69020066 1001 1	

Pos.	Part no.	Qty.	Description
1	05224277	2	Cylinder roller bearing
2	09213000	1	Circlip,external
3	09224000	1	Circlip,internal
4	05117010	1	Ball bearing,grooved
5	69020333	1	Gear wheel
6	06245051	1	Piston seal
7	06245052	2	Guiding band
8	69020727	1	Piston
9	07140532	1	Hexagon bolt
10	08510511	1	Washer
11	05151010	1	Axial ball bearing
12	68110170	1	Bushing
13	05113700	1	Ball bearing,grooved
14	08602603	1	Spring washer
15	05520510	1	Shim
16	09221130	1	Circlip,internal
17	69020332	1	Control shaft
18	09126823	1	Pin,cylindric
19	06283104	1	Bushing
20	69020720	1	Exciter shaft
21	69020689	1	Inner ring
22	69020778	1	Eccentric weight
23	07231216	3	Socket-head cap screw
24	69210174	3	Washer
25	07230811	4	Socket-head cap screw
26	69020752	1	Cover
27	06220994	1	Loop ring
28	05224277	2	Cylinder roller bearing
29	09213000	1	Circlip,external
30	69020133	1	Gear wheel
31	09188303	1	Fitting key
32	69020135	1	Exciter shaft
33	69020779	1	Eccentric weight
34	07231216	3	Socket-head cap screw
35	69210174	3	Washer

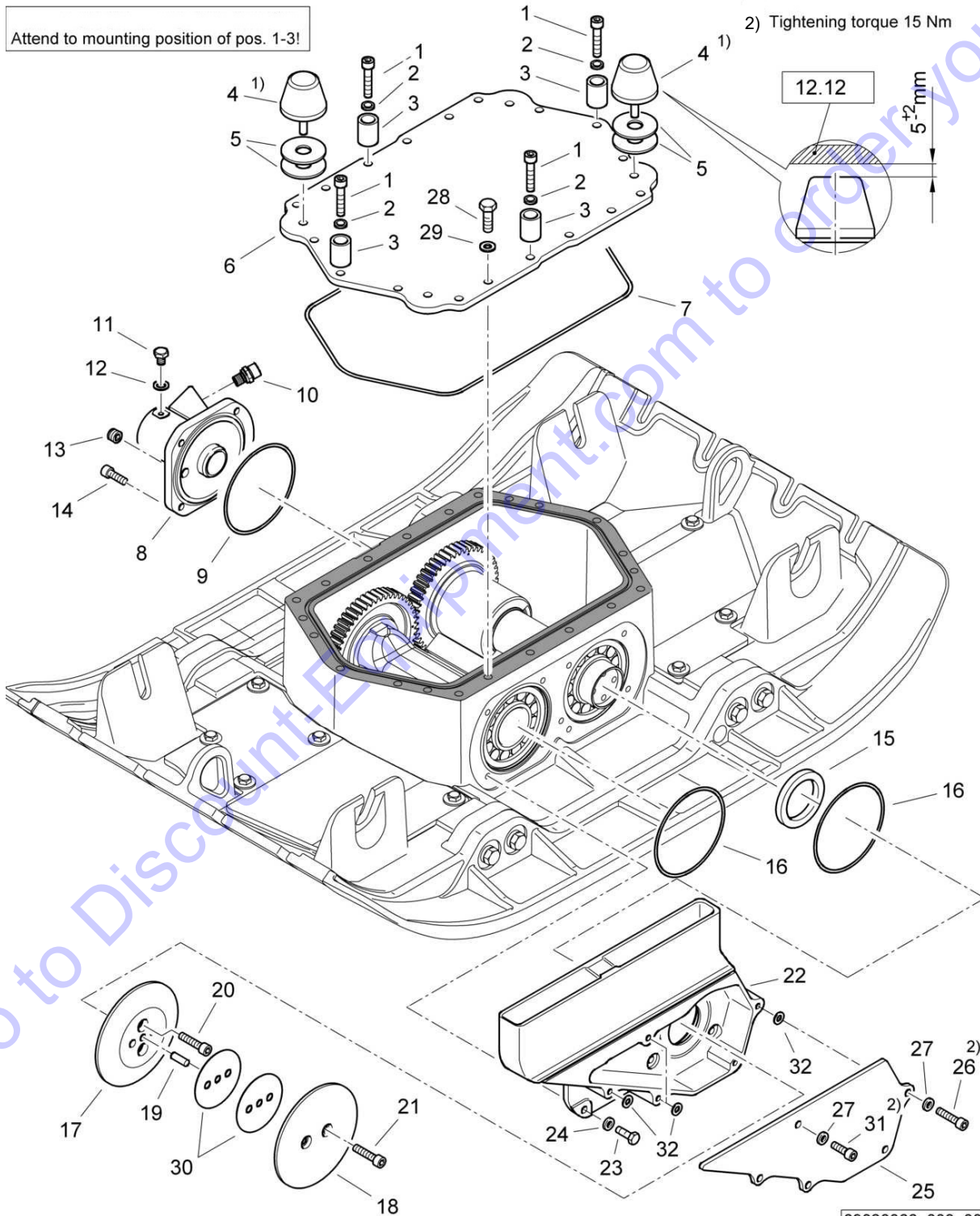
Go to Discount-Equipment.com to order your parts


Surface to rub with Gasketing, low strength (00970016)

1) tighten with pipe tongs

2) Tightening torque 15 Nm

Attend to mounting position of pos. 1-3!



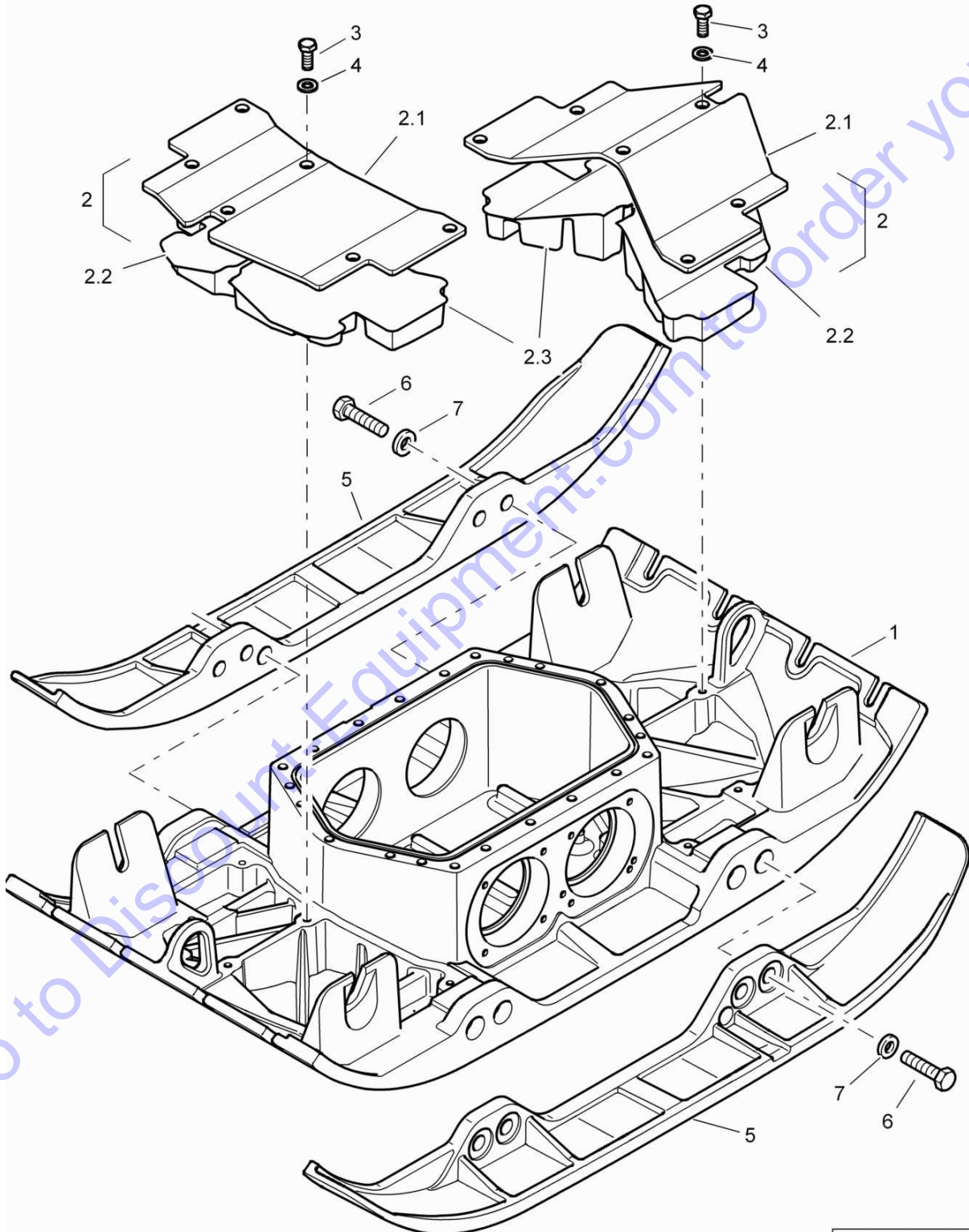
BPR 60/65 D	
S/N 101692781001 ▶	65.05
Base Plate	Page 3 / 3
	
69020066 1001 1	


Pos.	Part no.	Qty.	Description
1	07230834	4	Socket-head cap screw
2	06270011	4	Wedge safety washer
3	69020406	4	Stop
4	06148083	4	Stop buffer
5	69020394	8	Washer
6	69020426	1	Housing cover
7	06223305	1	Loop ring
8	69020292	1	Cylinder
9	06220994	1	Loop ring
10	05540009	1	Double-ended union
11	07140608	1	Hexagon bolt
12	06210610	1	U-seal
13	07611415	1	Screw plug
14	07230819	4	Socket-head cap screw
15	09312810	1	Radial seal
16	06220994	2	Loop ring
17	69020447	1	V-belt pulley
18	69020448	1	V-belt pulley
19	09120862	1	Pin,cylindric
20	07230822	2	Socket-head cap screw
21	07230834	2	Socket-head cap screw
22	69020734	1	V-belt guard
23	07140842	7	Hexagon bolt
24	08510817	7	Washer
25	69020737	1	Cover
26	07230811	4	Socket-head cap screw
27	08752084	5	Spring washer
28	07140846	14	Hexagon bolt
29	06270011	14	Wedge safety washer
30	95695211	2	Shim
31	07230806	1	Socket-head cap screw
32	08665000	4	Stop disc

Go to Discount-Equipment.com to order your parts

65.07

Base plate, assembled



BPR 60/65 D	
S/N 101692781007 ▶	
Base plate, assembled	65.07
	Page 1 / 1
	
69020742 1001 1	

Pos. Part no. Qty. Description

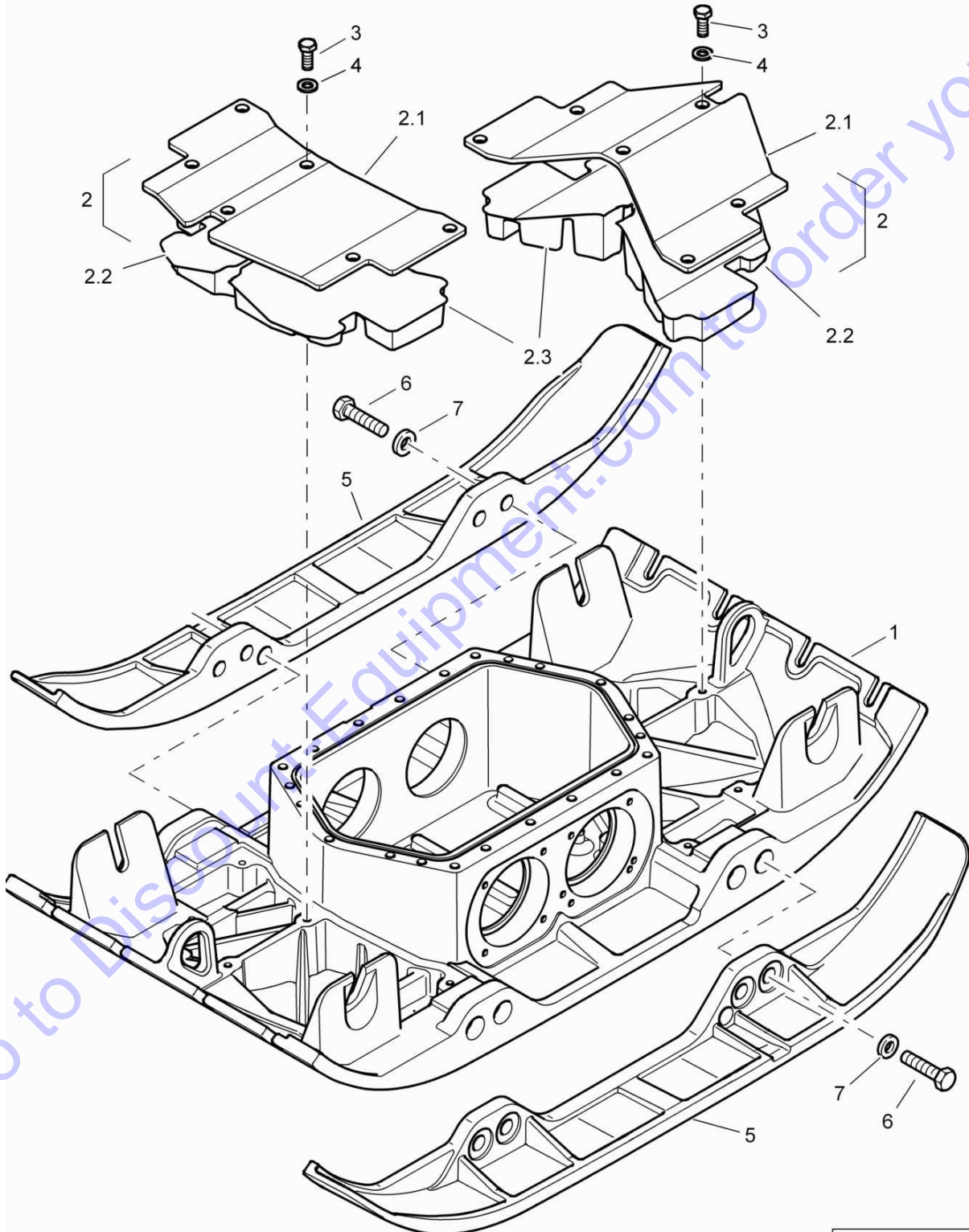
1	69020423	1	Base plate
2	69020775	2	Hood, cover
2.1	69020776	1	Cover plate
2.2	69020723	1	Foam
2.3	69020724	1	Foam
3	07140824	12	Hexagon bolt
4	08621084	12	Washer
5	69020350	2	Bar
6	07131618	8	Hexagon bolt
7	08511730	8	Washer


Go to Discount-Equipment.com to order your parts



65.07

Base plate, assembled



BPR 60/65 D	S/N 101692781001 ▶ S/N 101692781006	65.07
Base plate, assembled		
		Page 1 / 1
	69020742 1001 1	

Pos. Part no. Qty. Description

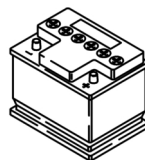
1	69020423	1	Base plate
2	69020775	2	Hood, cover
2.1	69020776	1	Cover plate
2.2	69020723	1	Foam
2.3	69020724	1	Foam
3	07140824	12	Hexagon bolt
4	08621084	12	Washer
5	69020350	2	Bar
6	07131618	8	Hexagon bolt
7	08511730	8	Washer

Go to Discount-Equipment.com to order your parts



Go to Discount-Equipment.com to order your parts

Electrical System

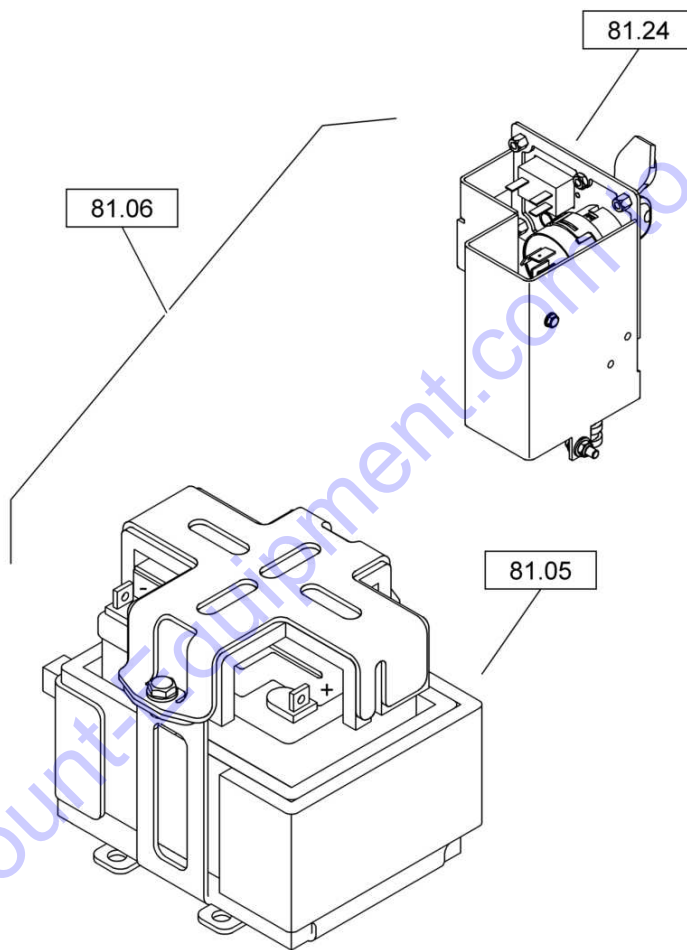


80


80.00

Electrical System

Page /



Go to DiscountEquipment.com to order your parts

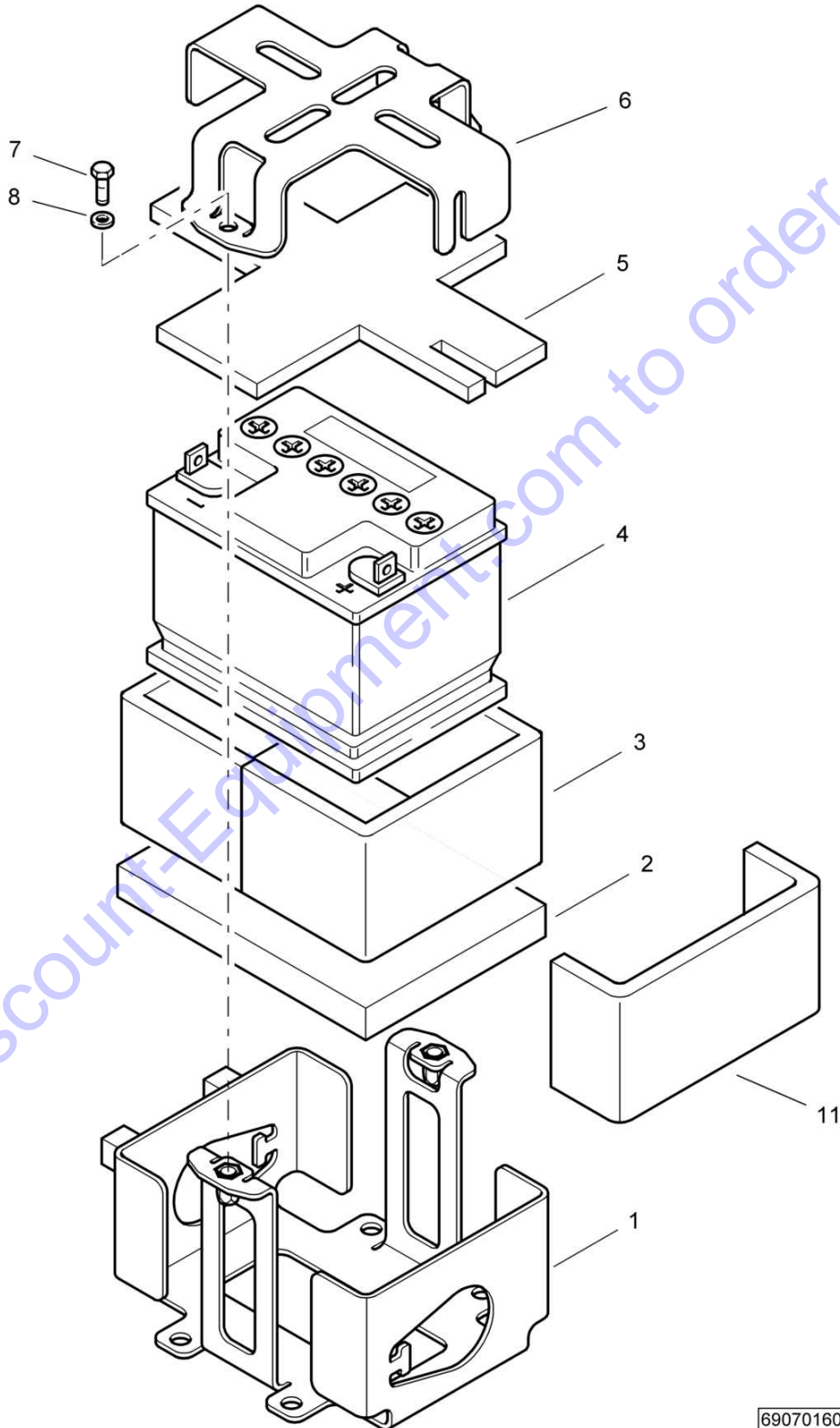
Electrical System	80.00
	Page /
	


Pos. Description

- 81.05 Battery
- 81.06 Electrics
- 81.24 Central electric, assembled

Go to Discount-Equipment.com to order your parts





BPR 60/65 D		
S/N 101692781001 ▶		81.05
Battery		Page 1 / 1
	69070160 1001 1	

Pos. Part no. Qty. Description

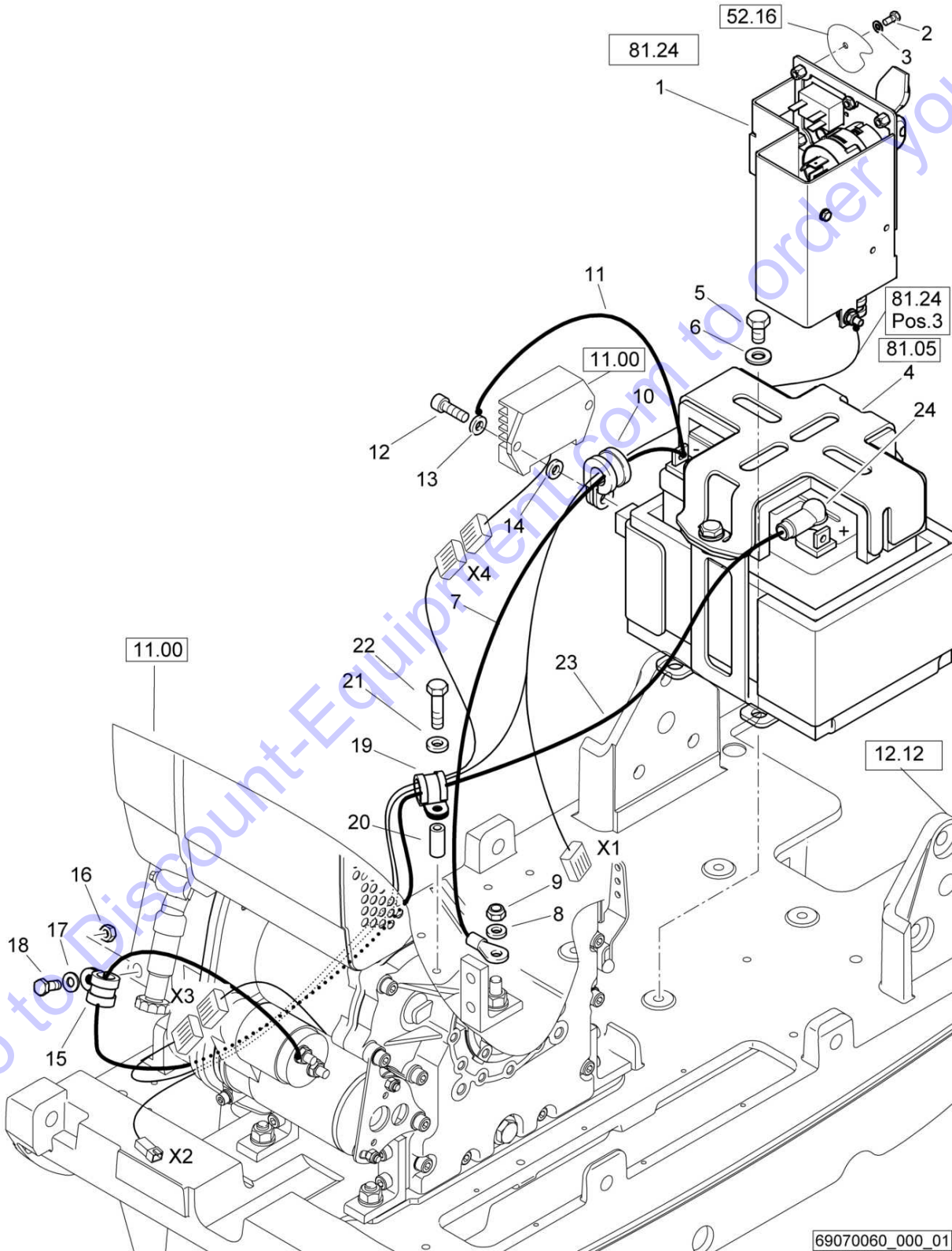
1	69070263	1	Battery box
2	69070159	1	Insulating mat
3	69070144	1	Insulating mat
4	05753234	1	Battery
5	69070146	1	Insulating mat
6	69070145	1	Cover plate
7	07141027	2	Hexagon bolt
8	08511021	2	Washer
11	69070169	1	Insulating mat


Go to Discount-Equipment.com to order your parts



81.06

Electrics



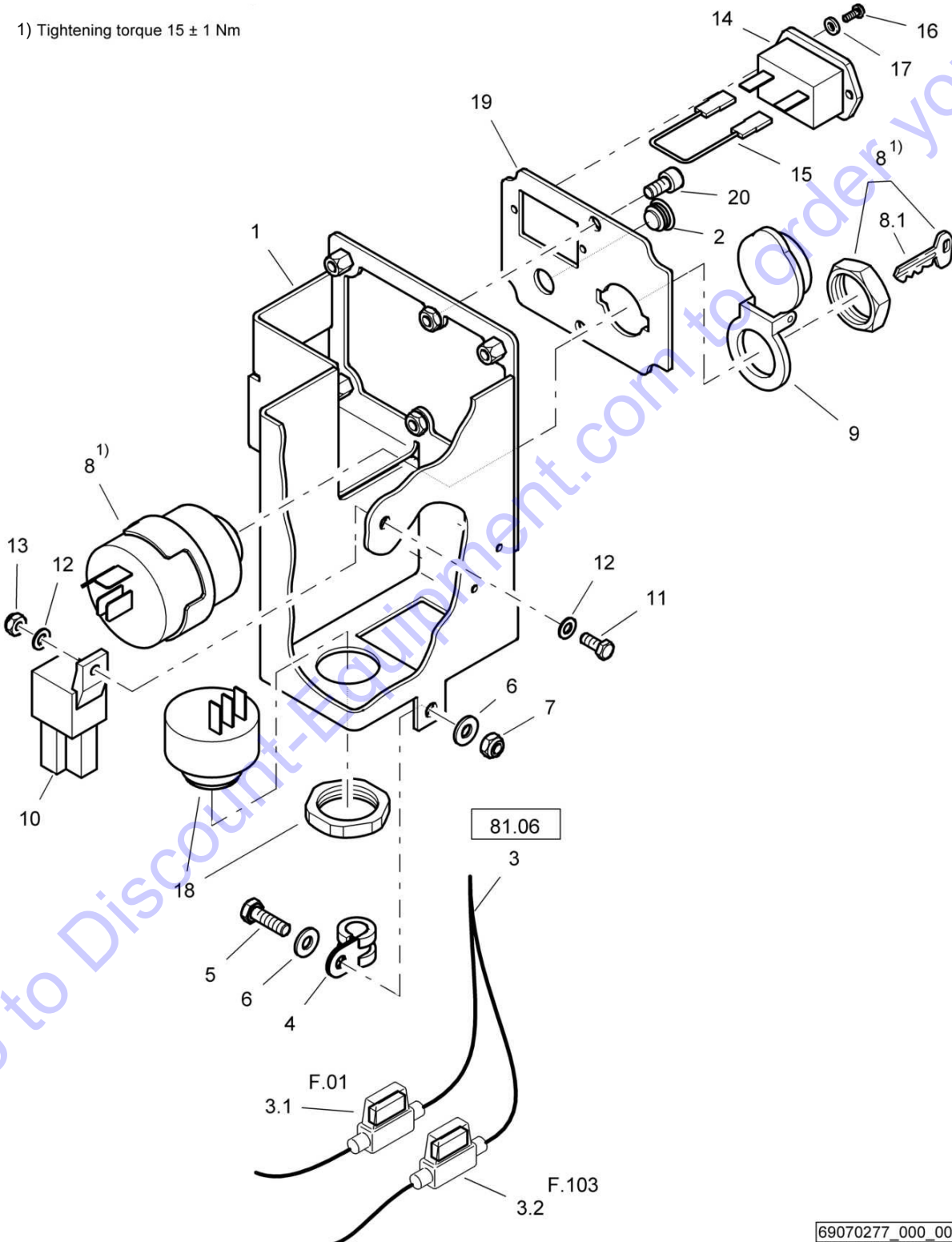
BPR 60/65 D		
S/N 101692781001 ▶		81.06
Electrics		Page 1 / 1
	69070060 1001 1	


Pos.	Part no.	Qty.	Description
1	69070277	1	Central electric, assembled
2	07140633	4	Hexagon bolt
3	08510612	4	Washer
4	69070160	1	Battery
5	07141008	4	Hexagon bolt
6	08511021	4	Washer
7	69270125	1	Wire harness
8	08511021	1	Washer
9	08131016	1	Safety nut
10	05551911	2	Tube clamp
11	69070190	1	Wire harness
12	07230819	2	Socket-head cap screw
13	08650817	2	Washer
14	08500823	2	Round anchor plate
15	05551908	1	Tube clamp
16	08110813	1	Hexagon nut
17	08510817	1	Washer
18	07140824	1	Hexagon bolt
19	05551914	1	Tube clamp
20	68150101	1	Sleeve
21	08510612	2	Washer
22	07140660	1	Hexagon bolt
23	69270124	1	Wire harness
24	05767028	1	Protection cap

Go to Discount-Equipment.com to order your parts



1) Tightening torque 15 ± 1 Nm



BPR 60/65 D	
S/N 101692781001 ▶	
Central electric, assembled	81.24
	Page 1 / 1
	
69070277 1001 1	

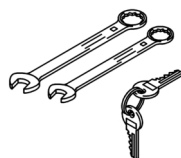
Pos.	Part no.	Qty.	Description
1	69070256	1	Box
2	06510212	1	Plug
3	69270123	1	Wire harness
3.1	05755196	1	Flat fuse
3.2	05755207	1	Flat fuse
4	05551901	1	Tube clamp
5	07140633	1	Hexagon bolt
6	08751064	2	Spring washer
7	08130611	1	Safety nut
8	05766813	1	Glower starter switch
8.1	05755124	2	>Key,ignition
9	05766885	1	Cover
10	05766958	1	Relay
11	07140520	1	Hexagon bolt
12	08510511	2	Washer
13	08130508	1	Safety nut
14	05766887	1	Hourmeter
15	69070241	1	Wire harness
16	07210316	2	Pens head screw
17	08510307	2	Washer
18	05751225	1	Warning buzzer
19	69070245	1	Cover plate
20	07230693	2	Socket-head cap screw

Go to Discount-Equipment.com to order your parts



Go to Discount-Equipment.com to order your parts

Accessories



100.00


Accessories

Page /



101.03



Accessories	100.00
	Page /
	

Pos. Description

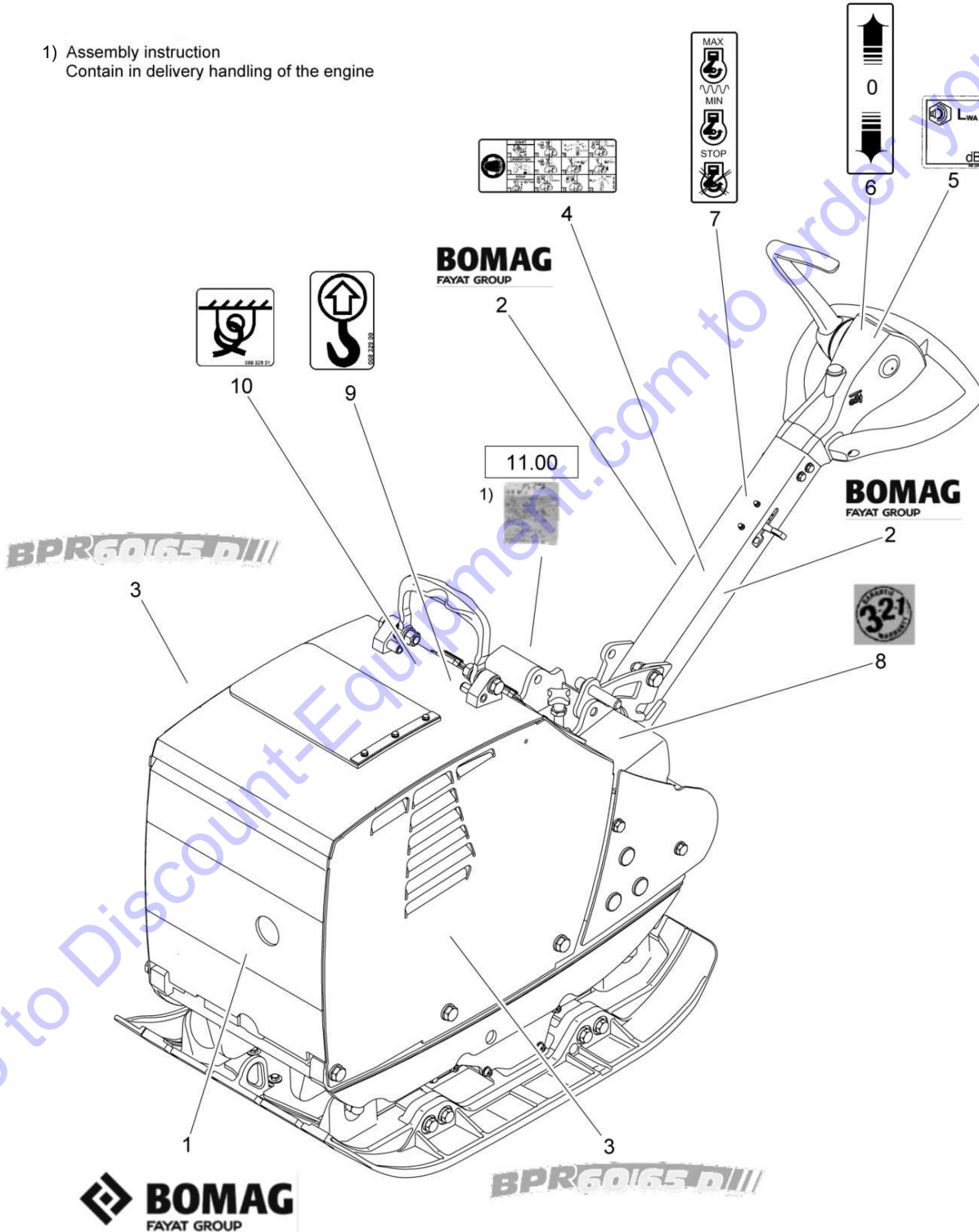
101.03 Decals


Go to Discount-Equipment.com to order your parts



	BPR 60/65 D	
101.03		S/N 101692781001 ▶
	Decals	
Page 1 / 1		
BOMAG FAYAT GROUP		69080062_000_00

1) Assembly instruction
Contain in delivery handling of the engine



BPR 60/65 D		
S/N 101692781001 ▶		
Decals		101.03
		Page 1 / 1
	69080062 1001 1	

Pos.	Part no.	Qty.	Description
1	00833215	1	Label
2	00831902	2	Decal
3	00833277	2	Type designation
4	00832746	1	Decal,operation
5	00832654	1	Decal,indication
6	00830085	1	Decal,operation
7	00830066	1	Decal,operation
8	00832996	1	Label
9	00832900	1	Decal,indication
10	00832901	1	Decal,indication

Go to Discount-Equipment.com to order your parts



Go to Discount-Equipment.com to order your parts

Special Equipment

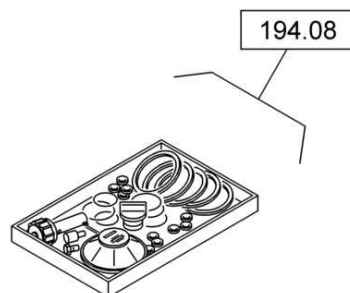
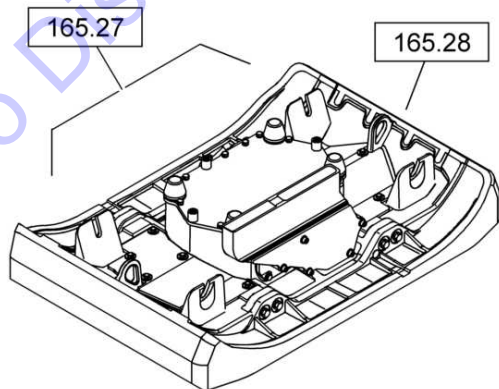
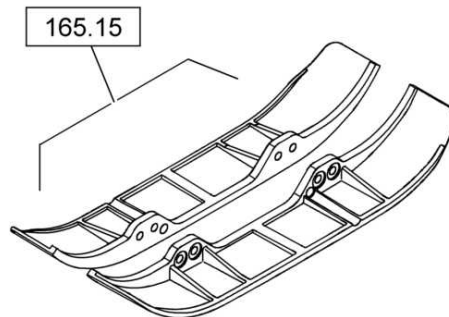
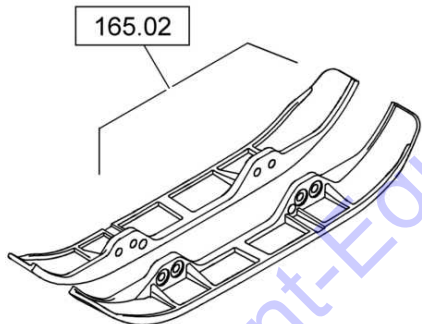
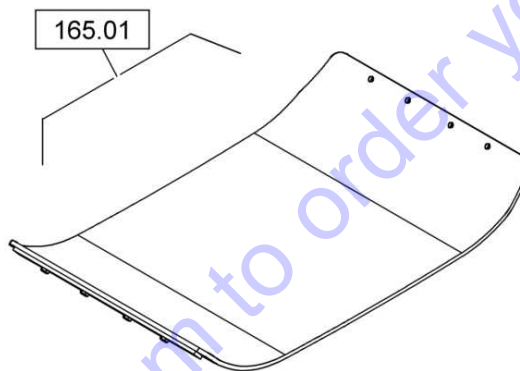
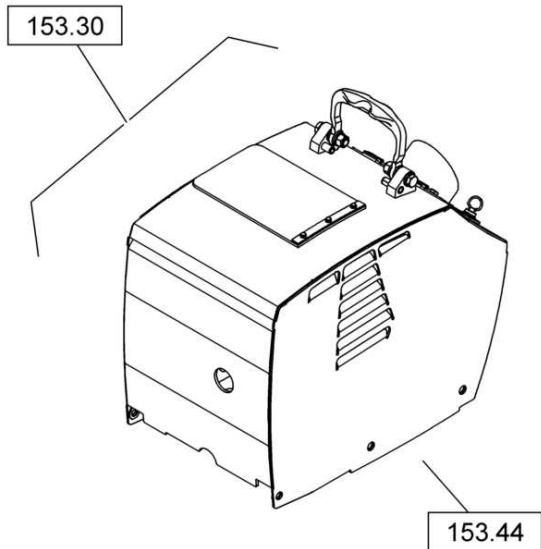
Option


110

110.00

Special Equipment

Page /



Special Equipment	110.00
	Page /
	

Pos. Description

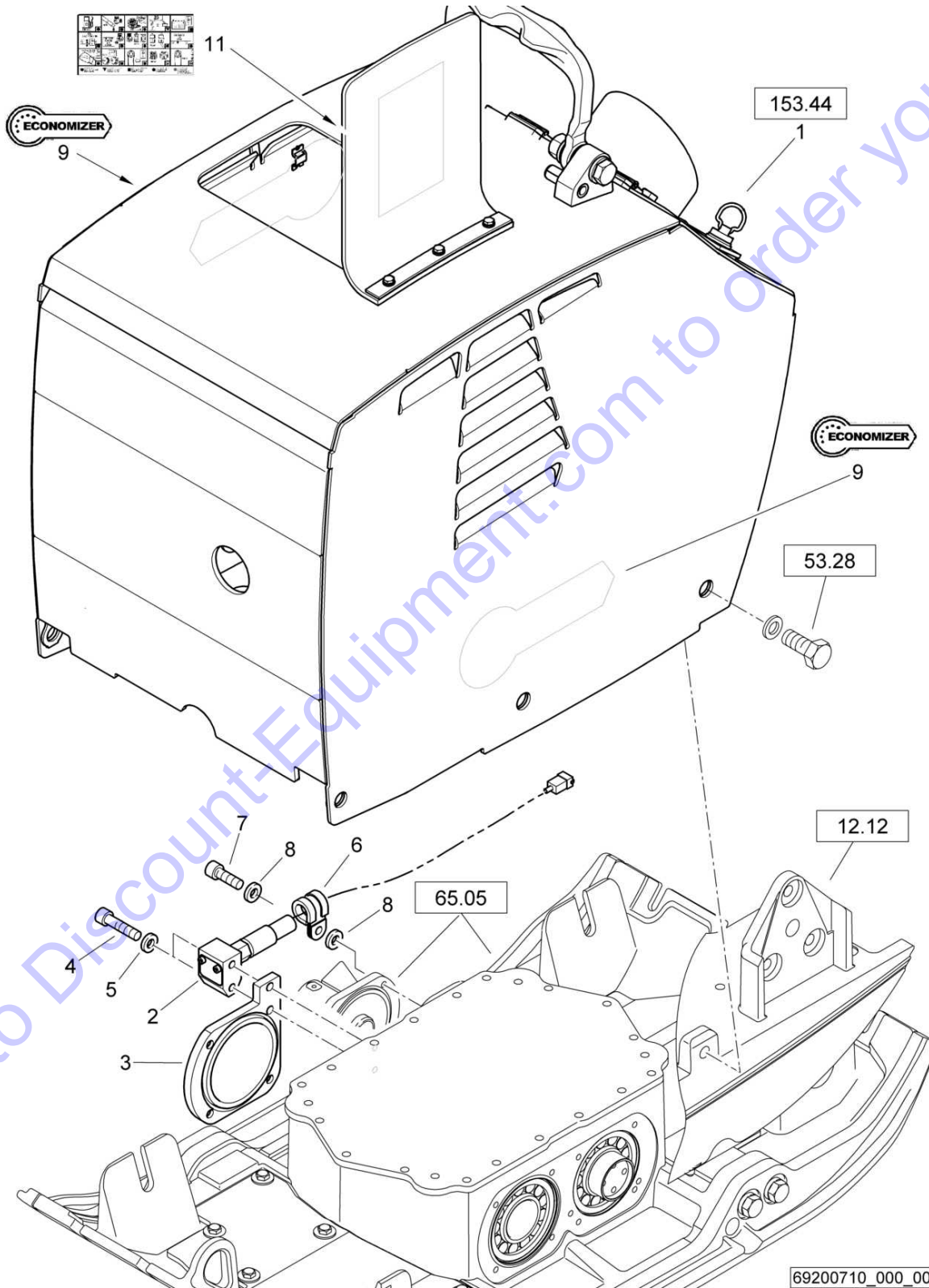
- 153.30 VM20-ECONOMIZER
- 153.44 Hood, assembled
- 165.01 X5-Synthetic plate
- 165.01 X5-Synthetic plate
- 165.01 X5-Synthetic plate
- 165.02 X4-Attachment Plate
- 165.15 X19-Attachment plate 2x150mm
- 165.27 X28-Paving plate
- 165.28 Base plate
- 194.08 SW10-Service kit


Go to Discount-Equipment.com to order your parts



153.30

VM20-ECONOMIZER



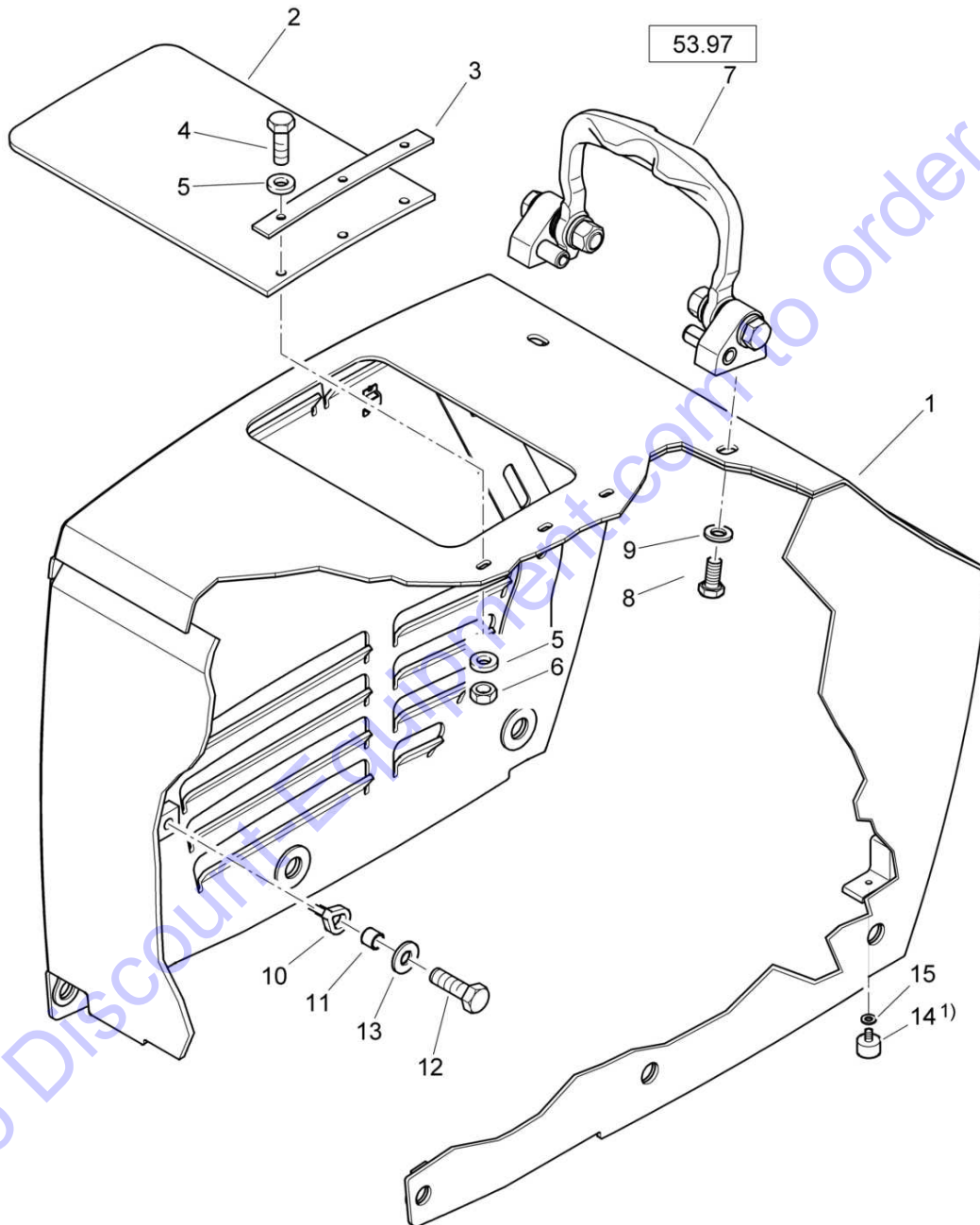
BPR 60/65 D	
S/N 101692781001 ▶	
VM20-ECONOMIZER	153.30
	Page 1 / 1
69200710 1001 1	

Pos.	Part no.	Qty.	Description
1	69203086	1	Hood, assembled
2	05767004	1	Transducer unit
3	69203043	1	Cover
4	07230847	2	Socket-head cap screw
5	08510817	2	Washer
6	05551908	1	Tube clamp
7	07230827	1	Socket-head cap screw
8	08510817	2	Washer
9	00833271	2	Decal,indication
11	00832745	1	Decal,maintenance instr.


Go to Discount-Equipment.com to order your parts



	BPR 60/65 D	
153.44		S/N 101692781001 ▶
	Hood, assembled	
Page	1 / 2	
BOMAG FAYAT GROUP		69203086_001_00



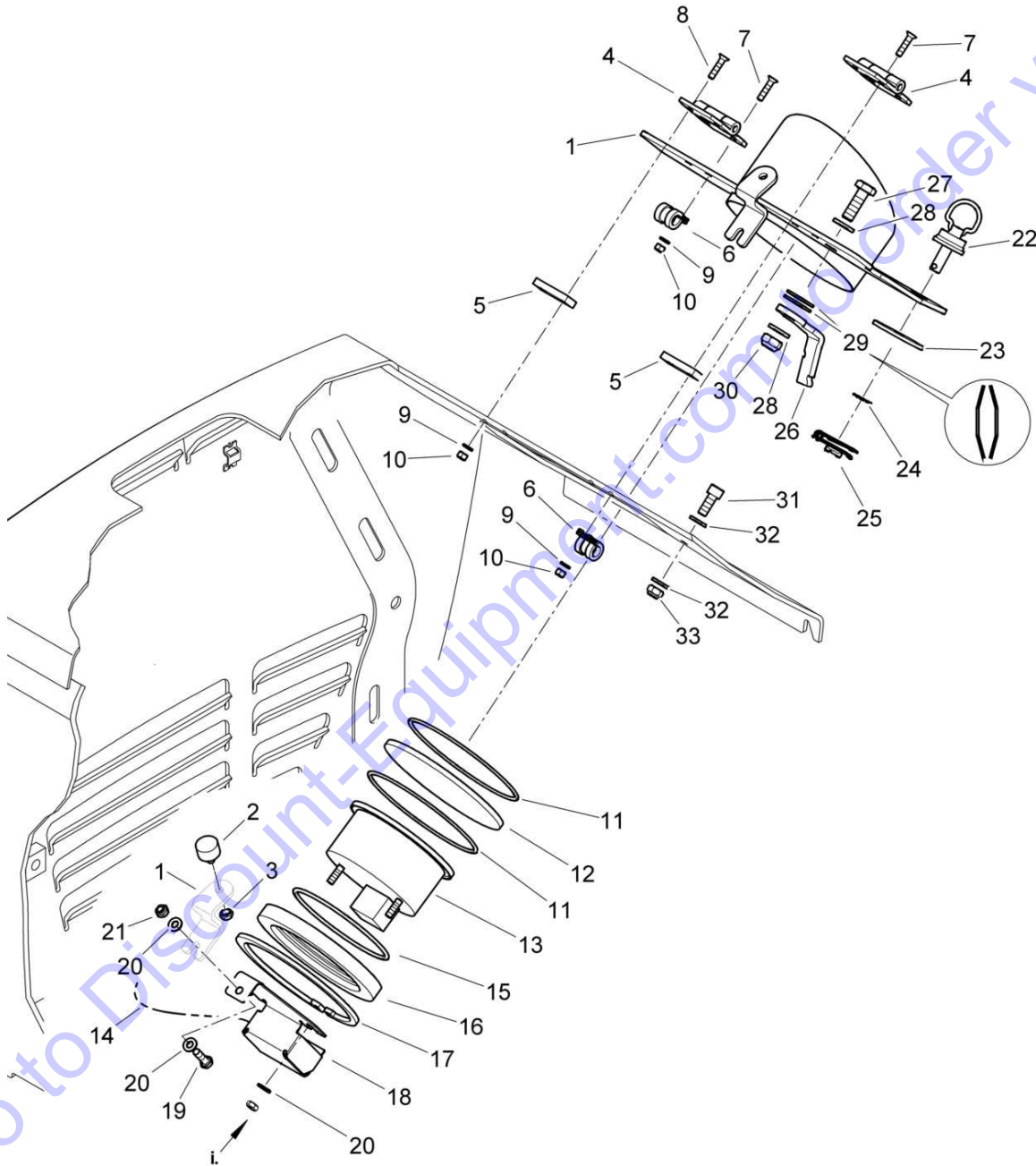
1) Anziehdrehmoment 6 Nm
Tightening torque 6 Nm

BPR 60/65 D	
S/N 101692781001 ▶	
Hood, assembled	153.44
	Page 1 / 2
	
69203086 1001 1	


Pos.	Part no.	Qty.	Description
1	69120905	1	Hood
2	69120142	1	Cover plate
3	69120122	1	Strip steel
4	07140641	3	Hexagon bolt
5	08510612	6	Washer
6	08130611	3	Safety nut
7	69120833	1	Single-point suspens.,assembled
8	07141224	2	Hexagon bolt
9	08752130	2	Spring washer
10	69120127	1	Rope
11	70060114	1	Sleeve
12	07141224	1	Hexagon bolt
13	08752130	1	Spring washer
14	06140945	1	Stop buffer
15	08510612	1	Washer

Go to Discount-Equipment.com to order your parts





i. = Tighten the knurled nut finger tight (max. 0,8 Nm)

BPR 60/65 D	
S/N 101692781001 ▶	
Hood, assembled	153.44
	Page 2 / 2
	 BOMAG FAYAT GROUP

69203086 1001 1

Pos.	Part no.	Qty.	Description
1	69203077	1	Flap
2	06140945	1	Stop buffer
3	08110620	1	Hexagon nut
4	05939249	2	Hinge
5	69203049	2	Flat steel
6	05551901	2	Tube clamp
7	07320518	4	Countersunk screw
8	07320523	4	Countersunk screw
9	08510511	8	Washer
10	08130508	8	Safety nut
11	06221143	2	Loop ring
12	69203026	1	Covering disc
13	69203070	1	Display
14	69203021	1	Wire harness
15	06221008	1	Loop ring
16	69203024	1	Spacer ring
17	09225319	1	Circlip,internal
18	69203047	1	Supporting angle
19	07140633	1	Hexagon bolt
20	08510612	4	Washer
21	08130611	1	Safety nut
22	05939247	2	Bow handle
23	69203033	2	Washer
24	05939246	2	Stop disc
25	05939248	2	Detend
26	69203048	1	Locking bar
27	07141030	1	Hexagon bolt
28	08511021	2	Washer
29	09290282	2	Belleville spring
30	08131016	1	Safety nut
31	07230613	1	Socket-head cap screw
32	08510612	2	Washer
33	08130611	1	Safety nut

Go to Discount-Equipment.com to order your parts



BPR 60/65 D

S/N 101692781001 ▶

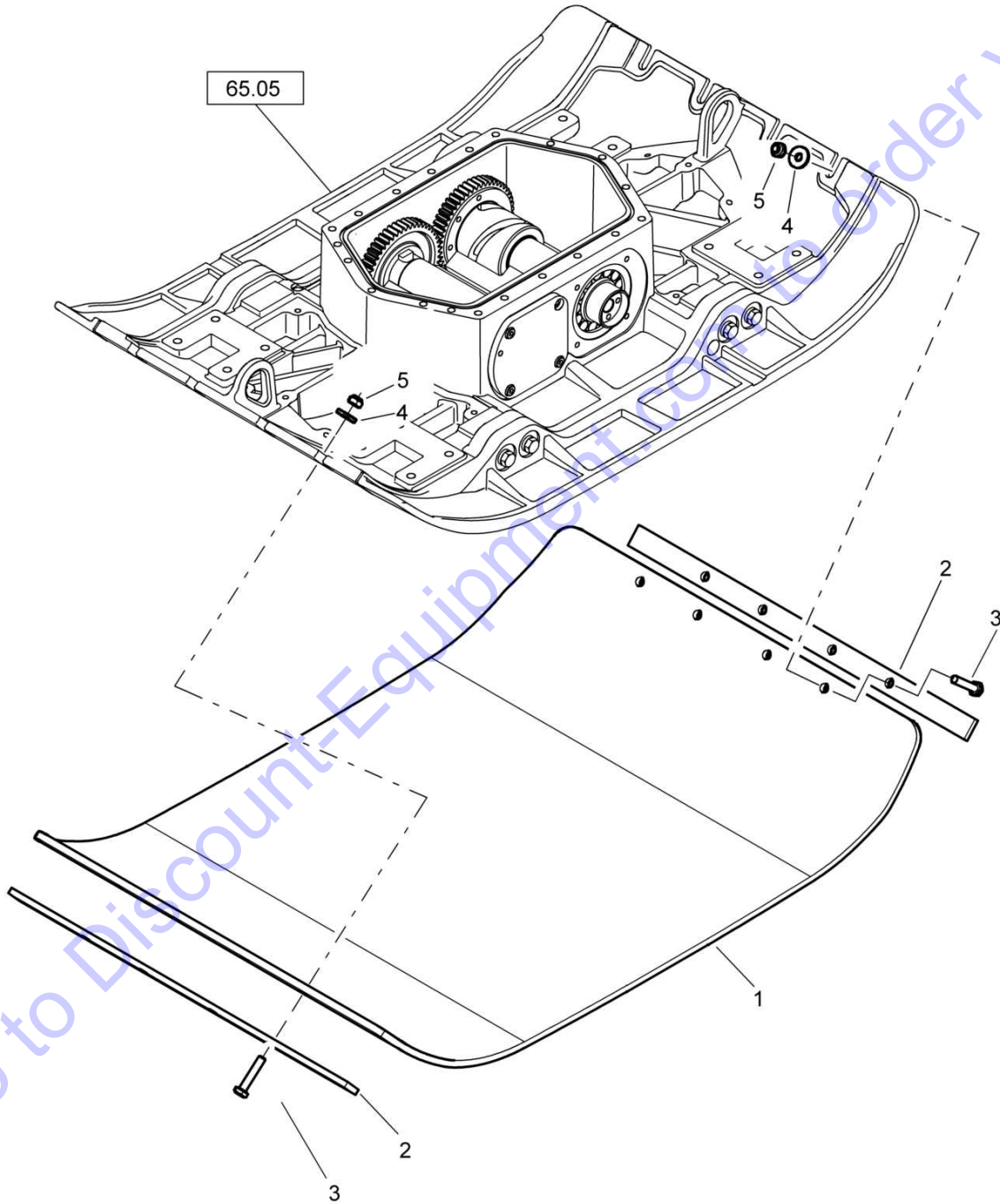
165.01

X5-Synthetic plate


Page **1 / 1**



69002060_000_00



Go to DiscountEquipment.com to order your parts

BPR 60/65 D	
S/N 101692781001 ▶	
X5-Synthetic plate	165.01
	Page 1 / 1
	 BOMAG FAYAT GROUP
69002060 1001 1	

Pos. Part no. Qty. Description

0	69002060	1	X5-Synthetic plate
1	69003090	1	Plastic plate
2	69003091	2	Flat steel
3	07141044	8	Hexagon bolt
4	08501028	8	Washer
5	08131016	8	Safety nut

Go to Discount-Equipment.com to order your parts



BPR 60/65 D

S/N 101692781001 ▶

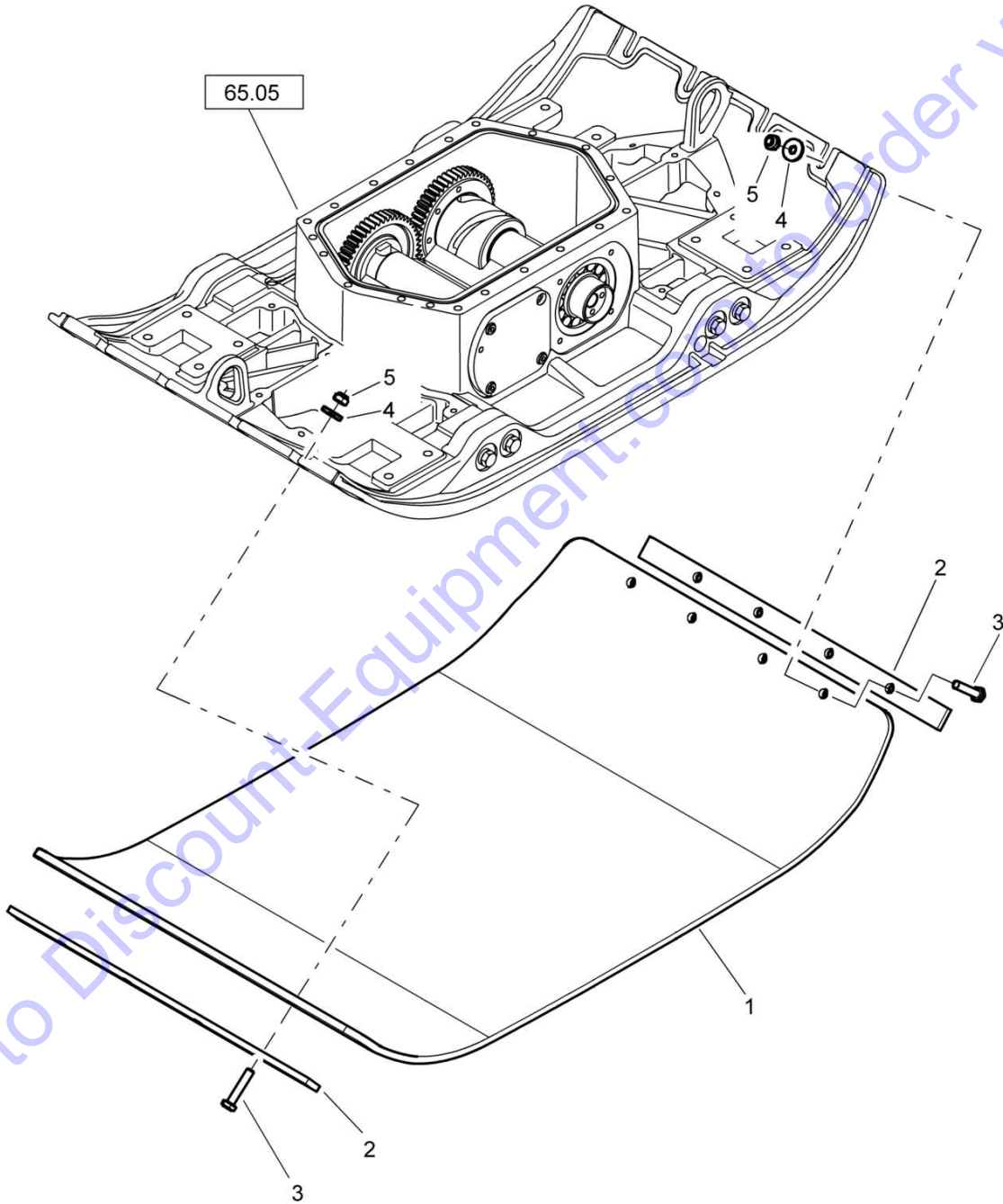
165.01

X5-Synthetic plate


Page 1 / 1



69002061_000_00



Go to Discount-Equipment.com to order your parts

BPR 60/65 D		
S/N 101692781001 ▶		
X5-Synthetic plate		165.01
		Page 1 / 1
		 BOMAG FAYAT GROUP
		69002061 1001 1

Pos.	Part no.	Qty.	Description
0	69002061	1	X5-Synthetic plate
1	69003092	1	Plastic plate
2	69003093	2	Flat steel
3	07141044	8	Hexagon bolt
4	08501028	8	Washer
5	08131016	8	Safety nut

Go to Discount-Equipment.com to order your parts



BPR 60/65 D

S/N 101692781001 ▶

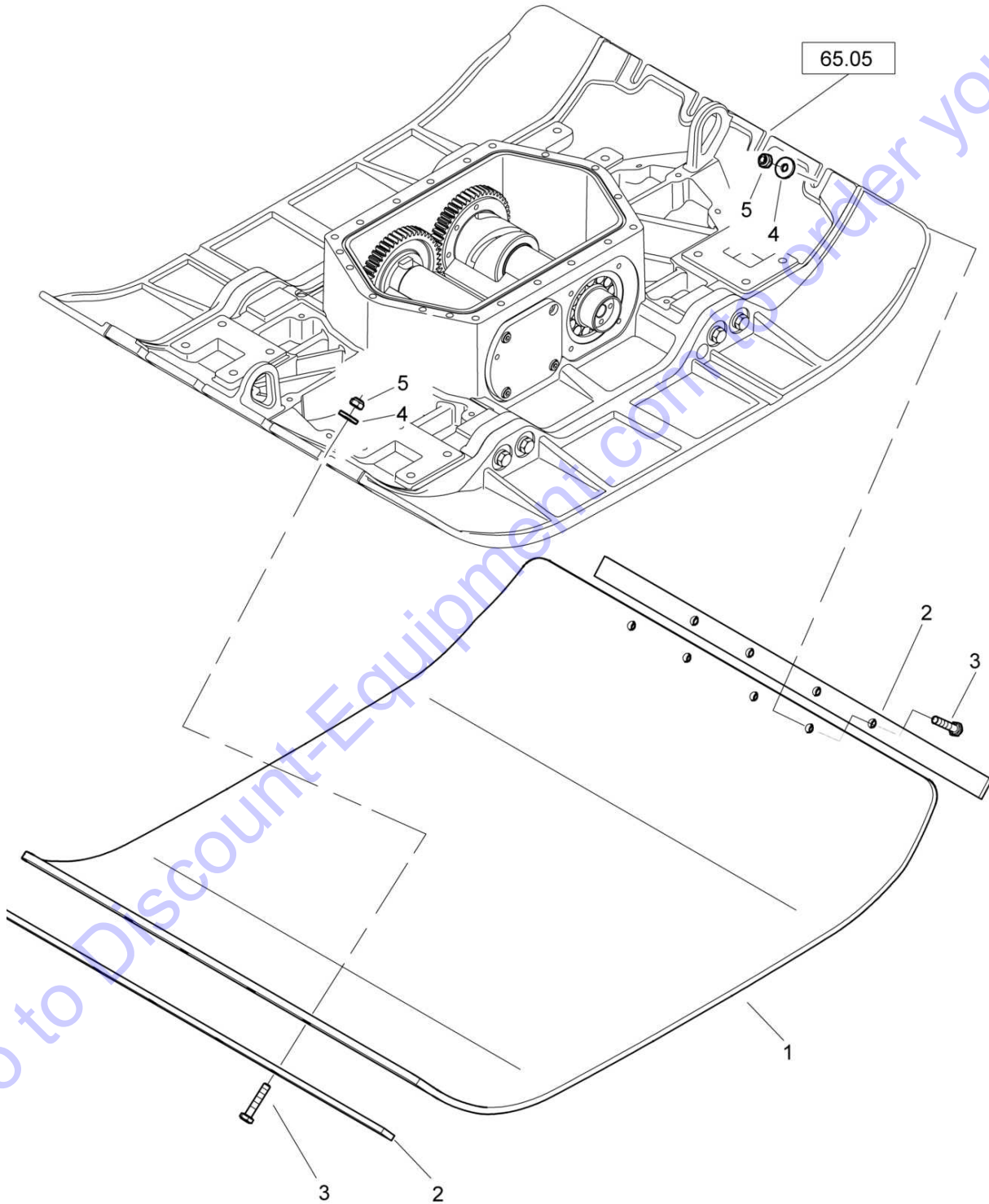
165.01


X5-Synthetic plate

Page 1 / 1



69002065_000_00



BPR 60/65 D	
S/N 101692781001 ▶	
X5-Synthetic plate	165.01
	Page 1 / 1
	 BOMAG FAYAT GROUP
69002065 1001 1	

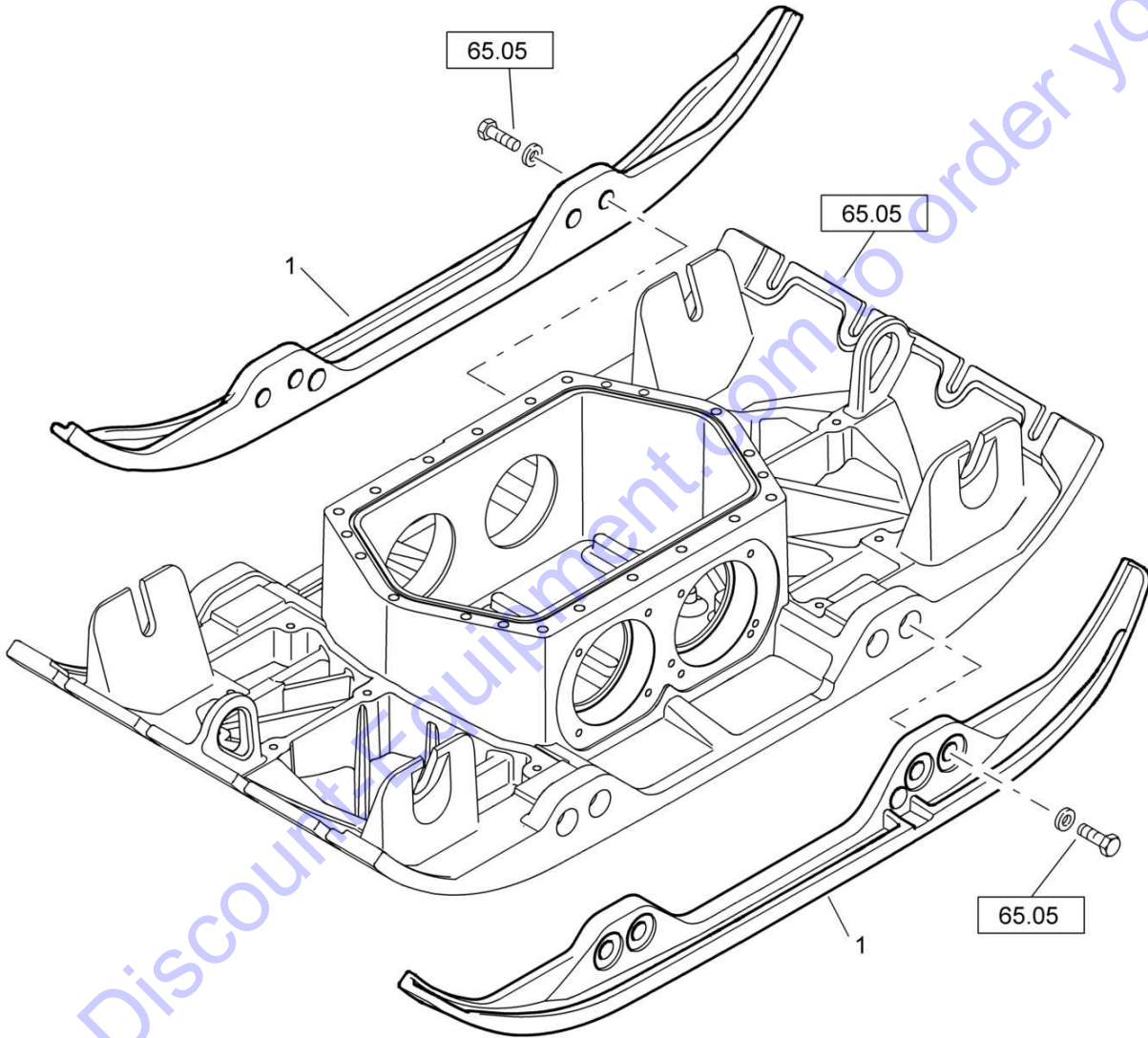
Pos. Part no. Qty. Description


0	69002065	1	X5-Synthetic plate
1	69003116	1	Plastic plate
2	69003098	2	Flat steel
3	07141044	8	Hexagon bolt
4	08501028	8	Washer
5	08131016	8	Safety nut

Go to Discount-Equipment.com to order your parts



	BPR 60/65 D	S/N 101692781001 ▶
165.02	X4-Attachment Plate	
Page 1 / 1		
BOMAG FAYAT GROUP	69000406_000_01	



BPR 60/65 D	
S/N 101692781001 ▶	
X4-Attachment Plate	165.02
	Page 1 / 1
	
69000406 1001 1	

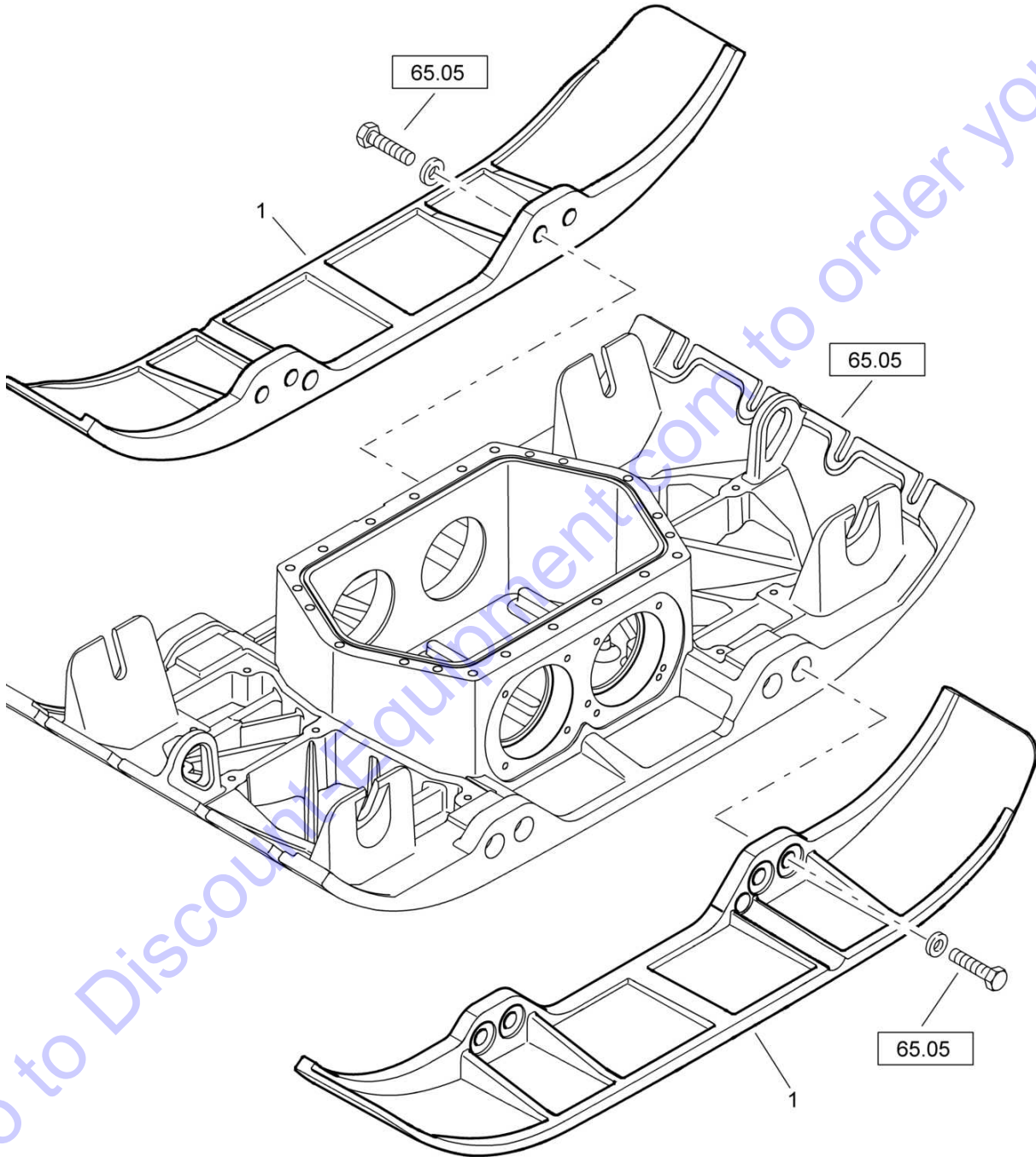
Pos. Part no. Qty. Description


1 69020351 2 Bar

Go to Discount-Equipment.com to order your parts



	BPR 60/65 D	S/N 101692781001 ▶
165.15	X19-Attachment plate 2x150mm	
Page 1 / 1		
BOMAG FAYAT GROUP	69000408_000_02	




BPR 60/65 D	
S/N 101692781001 ▶	
X19-Attachment plate 2x150mm	165.15
	Page 1 / 1
	
69000408 1001 1	

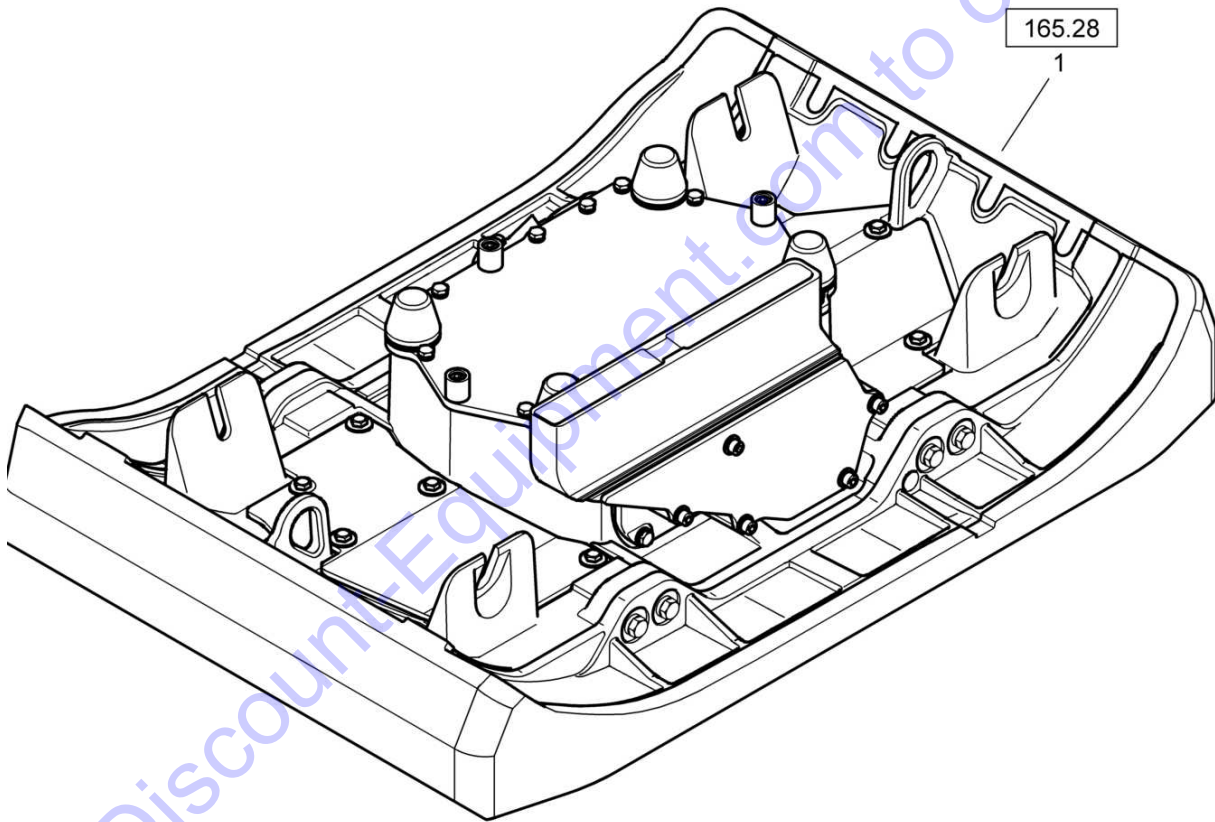
Pos. Part no. Qty. Description


1 69002071 2 Bar

Go to Discount-Equipment.com to order your parts



	BPR 60/65 D	S/N 101692781007 ▶
165.27	X28-Paving plate	
Page 1 / 1		
 BOMAG FAYAT GROUP	69200405_000_00	



BPR 60/65 D	
S/N 101692781007 ▶	
X28-Paving plate	165.27
	Page 1 / 1
	
69200405 1001 1	

Pos. Part no. Qty. Description

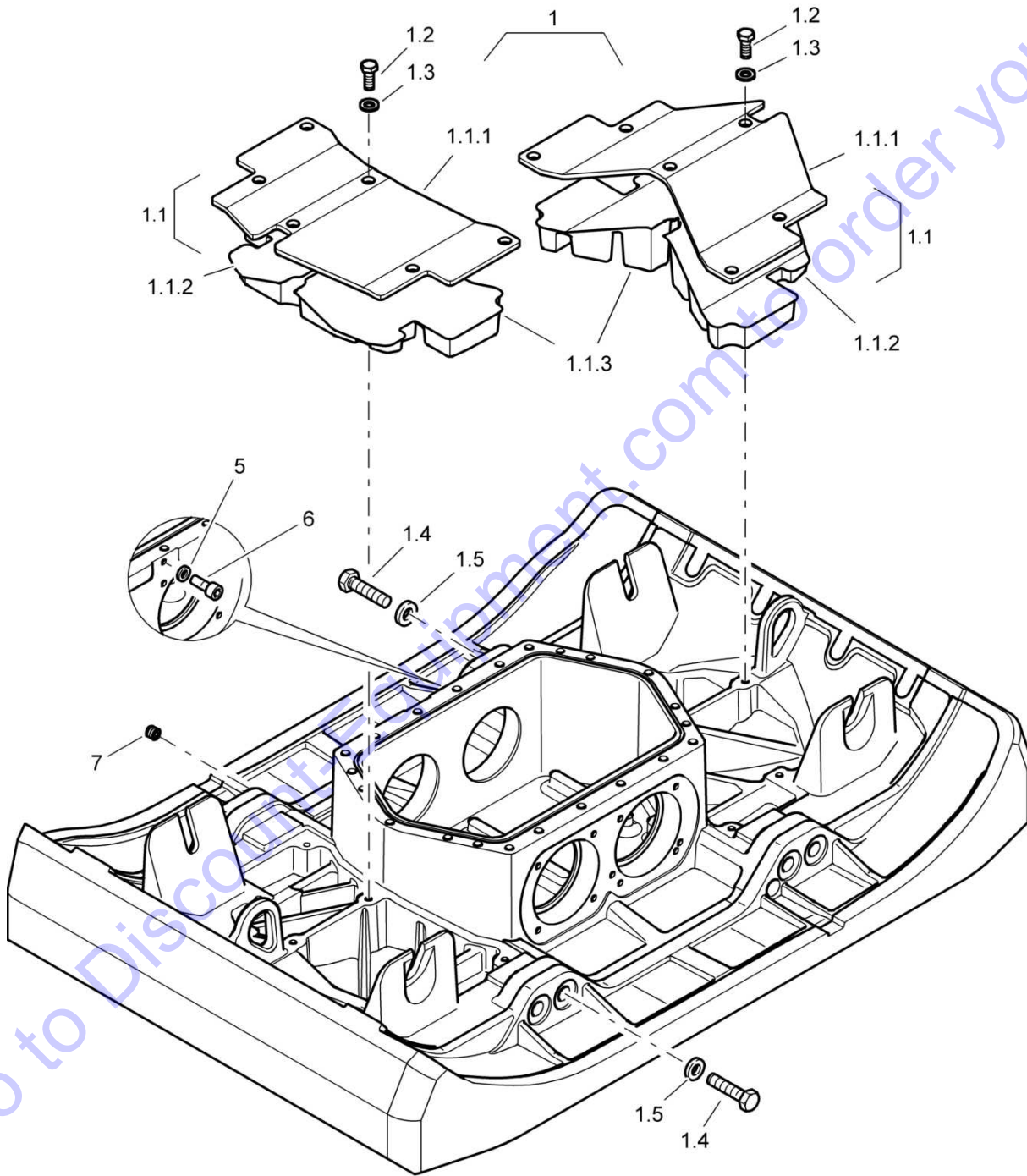
1 69203105 1 Base plate


Go to Discount-Equipment.com to order your parts



165.28

Base plate



BPR 60/65 D	
S/N 101692781007 ▶	
Base plate	165.28
	Page 1 / 3
	
69203105 1001 1	

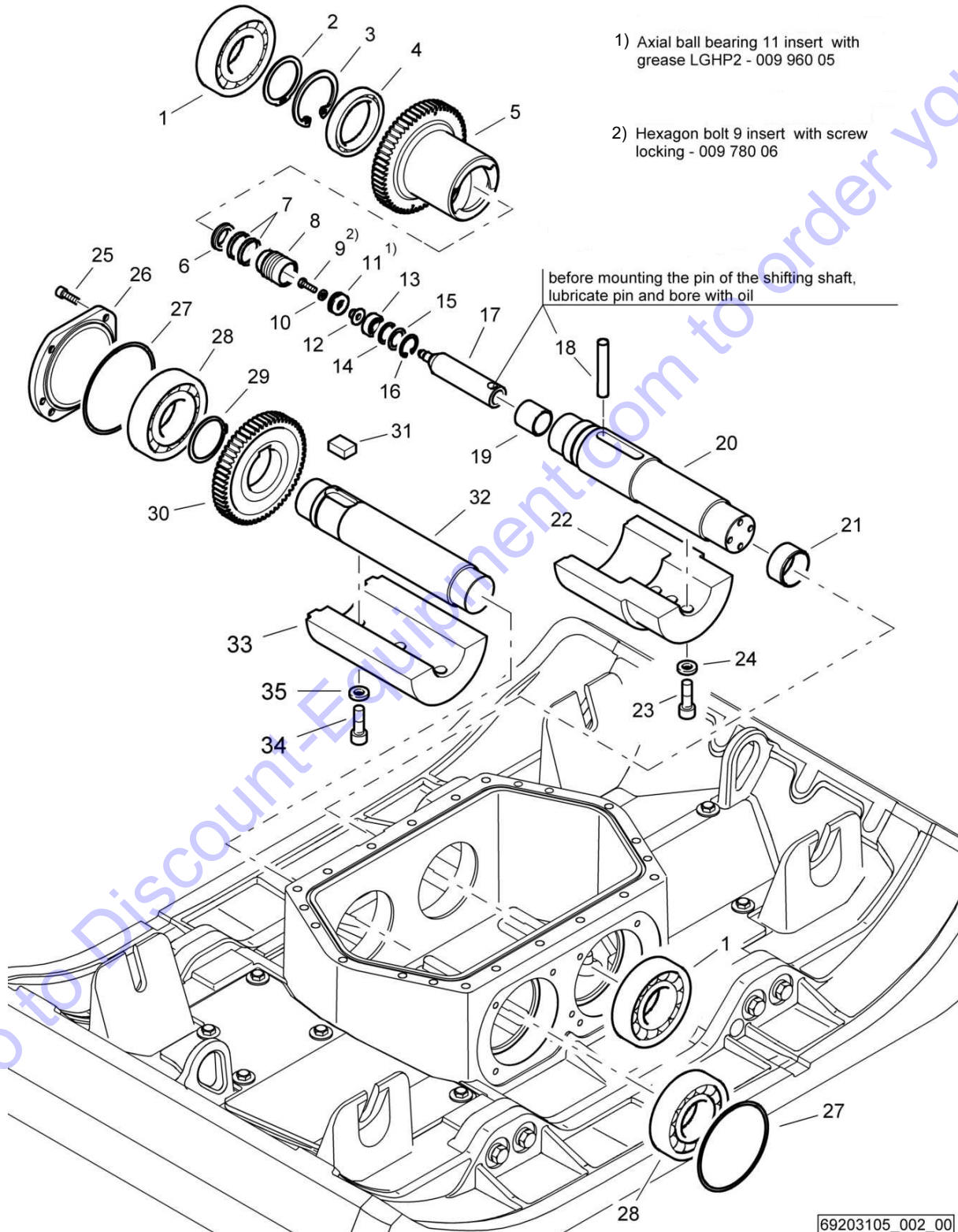
Pos.	Part no.	Qty.	Description
1	69203108	1	Plastic plate
1.1	69020775	2	Hood, cover
1.1.1	69020776	1	Cover plate
1.1.2	69020723	1	Foam
1.1.3	69020724	1	Foam
1.2	07140824	12	Hexagon bolt
1.3	08621084	12	Washer
1.4	07131618	8	Hexagon bolt
1.5	08511730	8	Washer
5	08510817	1	Washer
6	07230806	1	Socket-head cap screw
7	07611415	1	Screw plug


Go to Discount-Equipment.com to order your parts



165.28**Base plate**Page **2 / 3**

69203105_002_00



BPR 60/65 D	
S/N 101692781007 ▶	
Base plate	165.28
	Page 2 / 3
	 BOMAG FAYAT GROUP
69203105 1001 1	

Pos.	Part no.	Qty.	Description
1	05224277	2	Cylinder roller bearing
2	09213000	1	Circlip,external
3	09224000	1	Circlip,internal
4	05117010	1	Ball bearing,grooved
5	69020333	1	Gear wheel
6	06245051	1	Piston seal
7	06245052	2	Guiding band
8	69020727	1	Piston
9	07140532	1	Hexagon bolt
10	08510511	1	Washer
11	05151010	1	Axial ball bearing
12	68110170	1	Bushing
13	05113700	1	Ball bearing,grooved
14	08602603	1	Spring washer
15	05520510	1	Shim
16	09221130	1	Circlip,internal
17	69020332	1	Control shaft
18	09126823	1	Pin,cylindric
19	06283104	1	Bushing
20	69020720	1	Exciter shaft
21	69020689	1	Inner ring
22	69020778	1	Eccentric weight
23	07231216	3	Socket-head cap screw
24	69210174	3	Washer
25	07230811	4	Socket-head cap screw
26	69020752	1	Cover
27	06220994	2	Loop ring
28	05224277	2	Cylinder roller bearing
29	09213000	1	Circlip,external
30	69020133	1	Gear wheel
31	09188303	1	Fitting key
32	69020135	1	Exciter shaft
33	69020779	1	Eccentric weight
34	07231216	3	Socket-head cap screw
35	69210174	3	Washer

Go to Discount-Equipment.com to order your parts



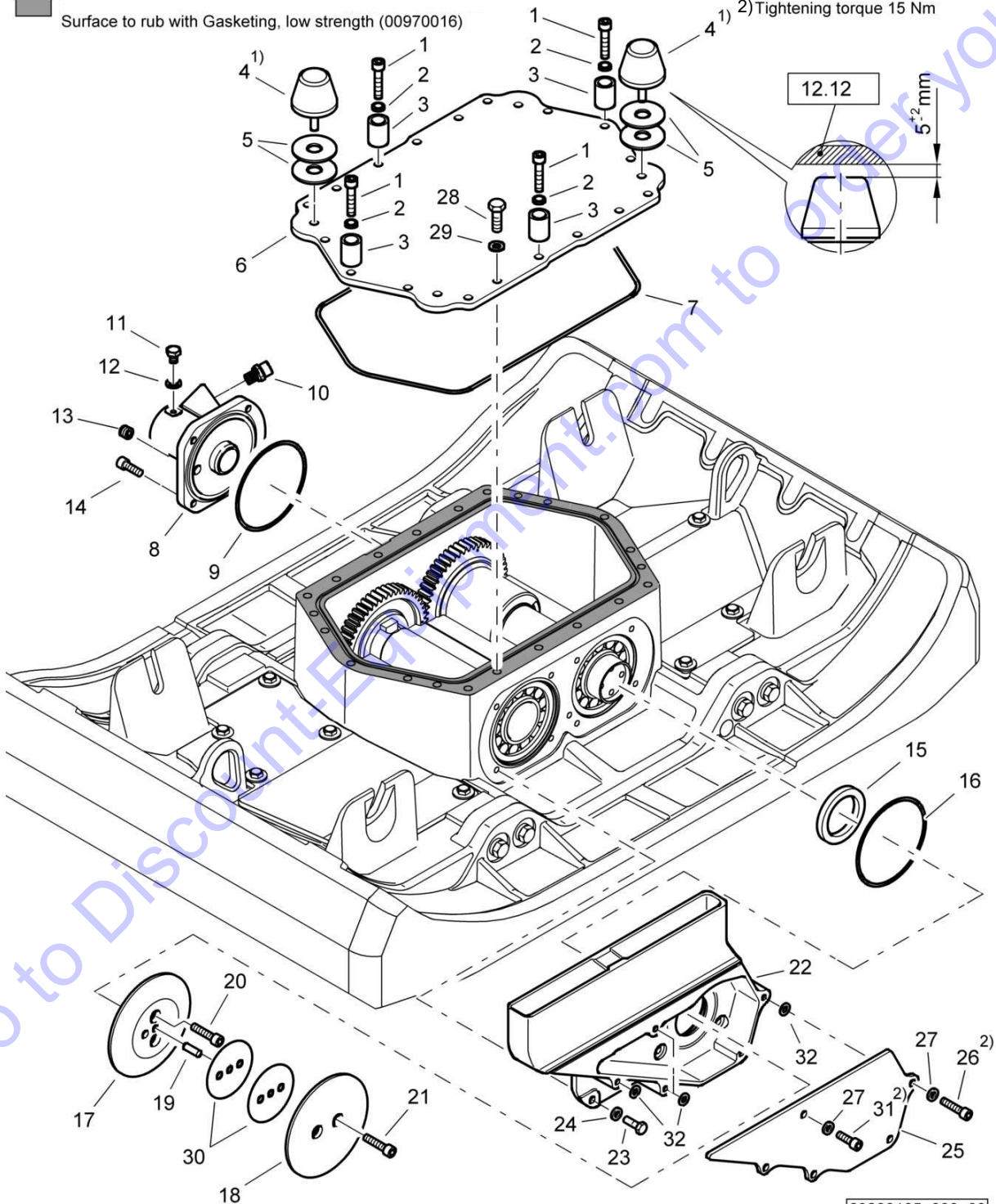
	BPR 60/65 D	S/N 101692781007 ▶
165.28	Base plate	
Page 3 / 3		
BOMAG FAYAT GROUP		69203105_003_00

Attend to mounting position of pos. 1-3!


1) tighten with pipe tongs

■ Surface to rub with Gasketing, low strength (00970016)

2) Tightening torque 15 Nm



69203105_003_00

BPR 60/65 D	
S/N 101692781007 ▶	
Base plate	165.28
	Page 3 / 3
	 BOMAG FAYAT GROUP
69203105 1001 1	

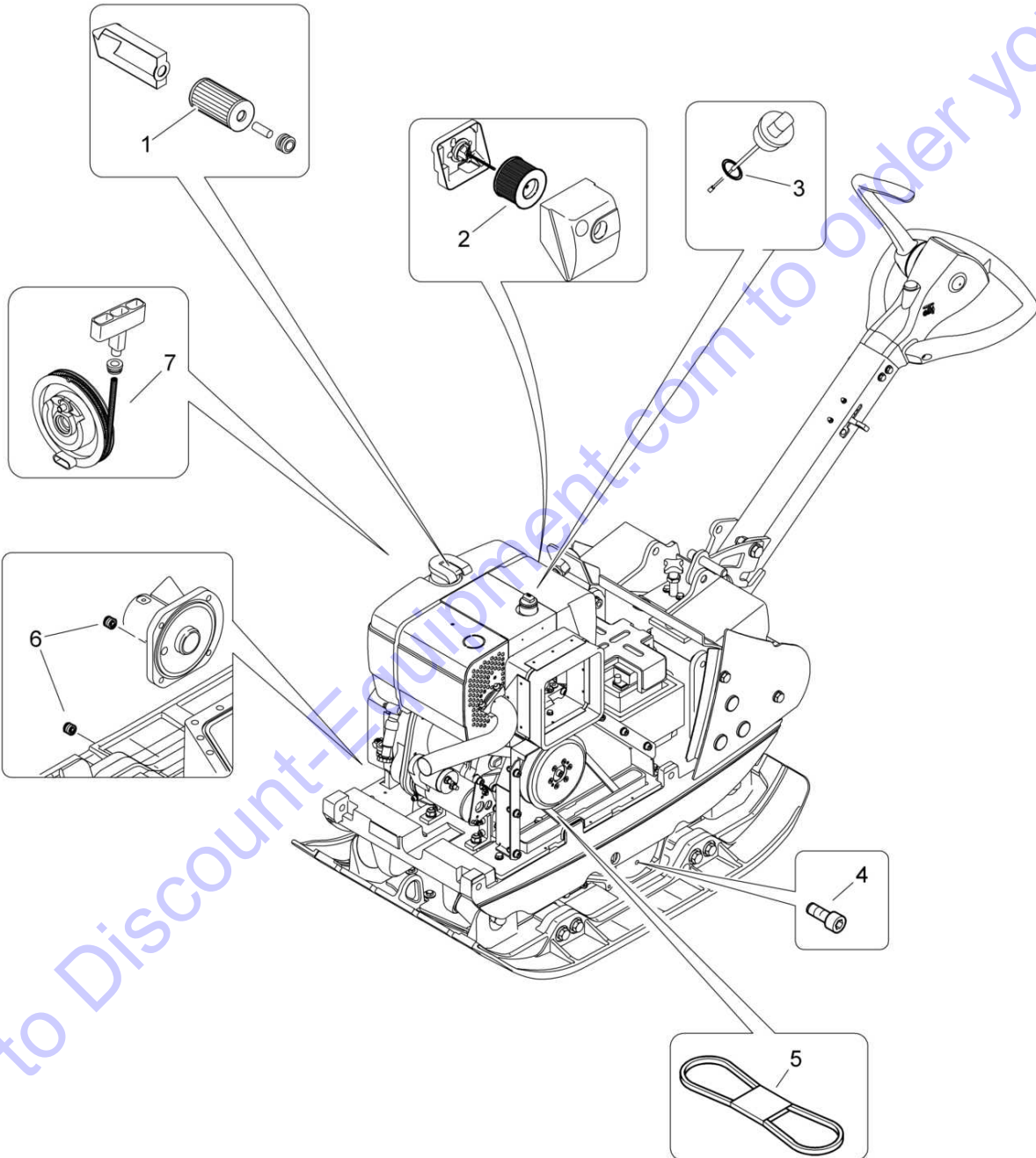
Pos.	Part no.	Qty.	Description
1	07230834	4	Socket-head cap screw
2	06270011	4	Wedge safety washer
3	69020406	4	Stop
4	06148083	4	Stop buffer
5	69020394	8	Washer
6	69020426	1	Housing cover
7	06223305	1	Loop ring
8	69020292	1	Cylinder
9	06220994	1	Loop ring
10	05540009	1	Double-ended union
11	07140608	1	Hexagon bolt
12	06210610	1	U-seal
13	07611415	1	Screw plug
14	07230819	4	Socket-head cap screw
15	09312810	1	Radial seal
16	06220994	1	Loop ring
17	69020447	1	V-belt pulley
18	69020448	1	V-belt pulley
19	09120862	1	Pin,cylindric
20	07230822	2	Socket-head cap screw
21	07230834	2	Socket-head cap screw
22	69020734	1	V-belt guard
23	07140842	7	Hexagon bolt
24	08510817	7	Washer
25	69020737	1	Cover
26	07230811	4	Socket-head cap screw
27	08752084	5	Spring washer
28	07140846	14	Hexagon bolt
29	06270011	14	Wedge safety washer
30	95695211	2	Shim
31	07230806	1	Socket-head cap screw
32	08665000	4	Stop disc


Go to Discount-Equipment.com to order your parts



194.08

SW10-Service kit



BPR 60/65 D		
S/N 101692781001 ▶		
SW10-Service kit		194.08
		Page 1 / 1
77569262 1001 1		

Pos.	Part no.	Qty.	Description
0	77569262	1	SW10-Service kit
1	05723502	1	Fuel filter
2	05724464	1	Air filter
3	05728114	2	Sealing ring
4	07230834	2	Socket-head cap screw
5	06312296	1	V-belt
6	07611415	2	Screw plug
7	05720205	1	Starter rope

Go to Discount-Equipment.com to order your parts



INDEX



Part no.	Group	Pos.	Part no.	Group	Pos.	Part no.	Group	Pos.
00830066	101.03/1	7	05540009	65.05/3	10	05720077	11.67/1	49
00830085	101.03/1	6	05540009	165.28/3	10	05720106	11.21/1	78
00831902	101.03/1	2	05542918	27.17/1	12	05720107	11.25/1	34
00832654	101.03/1	5	05546051	27.14/1	2	05720142	11.01/1	31
00832745	53.96/1	6	05546207	12.13/3	3	05720143	11.01/2	4
00832745	153.30/1	11	05548022	27.14/1	19	05720144	11.02/1	9
00832746	101.03/1	4	05548029	12.13/3	1	05720145	11.05/1	1
00832900	101.03/1	9	05551901	81.24/1	4	05720146	11.05/1	2
00832901	101.03/1	10	05551901	153.44/2	6	05720147	11.05/1	4
00832996	101.03/1	8	05551908	81.06/1	15	05720148	11.05/1	10
00833215	101.03/1	1	05551908	153.30/1	6	05720149	11.08/1	1
00833271	153.30/1	9	05551911	81.06/1	10	05720150	11.08/1	34
00833277	101.03/1	3	05551914	12.13/3	4	05720151	11.08/1	36
00970017	11.01/1	41	05551914	81.06/1	19	05720152	11.08/1	38
00970017	11.01/2	11	05551941	27.09/1	5	05720153	11.08/1	40
00970017	11.02/1	52	05552406	52.16/3	6	05720154	11.21/1	10
00970017	11.25/1	46	05552408	52.16/3	7	05720155	11.21/1	21
00970028	11.30/1	40	05554757	27.01/1	4	05720155	11.21/1	37
00970029	11.30/1	41	05555923	12.13/3	2	05720156	11.21/1	22
00978000	11.01/2	10	05561621	27.09/1	1	05720157	11.21/1	72
00978000	11.02/1	51	05568792	11.31/1	10	05720158	11.21/1	39
00978000	11.08/1	50	05568996	27.14/1	6	05720158	11.21/1	40
00978006	11.01/1	40	05586256	27.17/1	4	05720160	11.25/1	6
00978006	11.02/1	50	05650156	12.13/1	16	05720161	11.34/1	24
00978006	11.21/1	80	05650156	19.07/1	0	05720162	11.34/1	9
00978006	11.25/1	45	05660139	19.07/1	6	05720184	11.34/1	18
00978006	11.29/1	10	05660148	19.07/1	7	05720198	11.02/1	14
00978006	11.31/1	30	05660149	19.07/1	15	05720199	11.08/1	4
00978006	11.34/1	30	05660186	19.07/1	13	05720205	11.31/1	9
00978006	11.36/1	10	05660188	19.07/1	18	05720205	194.08/1	7
00978023	11.25/1	47	05660198	19.07/1	1	05720270	11.21/1	19
00978023	11.29/1	11	05660199	19.07/1	5	05720280	11.08/1	25
05113306	19.07/1	2	05660212	19.07/1	14	05720329	11.67/1	2
05113700	65.05/2	13	05660213	19.07/1	16	05720386	11.21/1	25
05113700	165.28/2	13	05660216	19.07/1	17	05720387	11.21/1	45
05117010	65.05/2	4	05660219	19.07/1	8	05720429	11.25/1	3
05117010	165.28/2	4	05660220	19.07/1	9	05720454	11.25/1	5
05151010	65.05/2	11	05660750	19.07/1	12	05720455	11.25/1	17
05151010	165.28/2	11	05660752	19.07/1	10	05720489	11.06/1	1
05224277	65.05/2	1	05661356	27.14/1	8	05720490	11.08/1	8
05224277	65.05/2	28	05706416	11.00/1	1	05720491	11.25/1	16
05224277	165.28/2	1	05706416	12.13/1	1	05720492	11.25/1	20
05224277	165.28/2	28	05719563	12.13/2	18	05720494	11.02/1	1
05340050	27.17/1	7	05720014	11.05/1	7	05720495	11.02/1	3
05520001	11.25/1	19	05720023	11.01/1	16	05720496	11.02/1	5
05520002	11.25/1	4	05720047	11.01/1	27	05720498	11.29/1	1
05520416	27.17/1	10	05720049	11.08/1	16	05720498	11.34/1	27
05520510	65.05/2	15	05720051	11.02/1	10	05720499	11.29/1	4
05520510	165.28/2	15	05720062	11.21/1	51	05720499	11.34/1	25
05525003	11.09/1	4	05720077	11.21/1	30	05720542	11.21/1	28

INDEX

Part no.	Group	Pos.	Part no.	Group	Pos.	Part no.	Group	Pos.
05720542	11.67/1	51	05720722	11.21/1	60	05724239	11.01/1	29
05720543	11.21/1	24	05720723	11.63/1	1	05724240	11.01/1	21
05720545	11.29/1	5	05720724	11.63/1	14	05724241	11.01/1	22
05720546	11.67/1	1	05720725	11.63/1	15	05724242	11.01/2	1
05720547	11.67/1	55	05720726	11.63/1	17	05724243	11.01/2	3
05720548	11.67/1	5	05720727	11.26/1	2	05724244	11.01/2	5
05720549	11.21/1	50	05720728	11.34/1	21	05724246	11.02/1	11
05720549	11.67/1	6	05721037	11.02/1	53	05724248	11.02/1	7
05720571	11.08/1	24	05721037	11.31/1	31	05724249	11.02/1	8
05720573	11.67/1	33	05721082	11.36/1	2	05724250	11.02/1	17
05720577	11.21/1	42	05722002	11.36/1	3	05724251	11.02/1	19
05720579	11.21/1	31	05722033	11.02/1	21	05724254	11.02/1	20
05720583	11.30/1	16	05722034	11.02/1	15	05724255	11.02/1	30
05720588	11.06/1	2	05722047	11.34/1	6	05724256	11.02/1	32
05720589	11.08/1	26	05722054	11.30/2	7	05724257	11.02/1	35
05720590	11.08/1	27	05722063	11.26/1	4	05724259	11.05/1	3
05720591	11.08/1	7	05722090	11.01/1	26	05724262	11.05/1	5
05720592	11.09/1	1	05722090	11.21/1	57	05724264	11.05/1	6
05720594	11.21/1	32	05722091	11.21/1	58	05724265	11.05/1	8
05720599	11.26/1	3	05722092	11.21/1	56	05724266	11.05/1	9
05720601	11.29/1	7	05722094	11.21/1	59	05724269	11.06/1	4
05720604	11.21/1	27	05722320	11.36/1	6	05724270	11.06/1	3
05720604	11.34/1	13	05722372	11.36/1	4	05724273	11.08/1	2
05720604	11.67/1	54	05722410	11.63/1	18	05724274	11.08/1	45
05720606	11.63/1	9	05722463	11.02/1	39	05724275	11.08/1	5
05720622	11.02/1	6	05722512	11.01/1	13	05724276	11.08/1	6
05720623	11.25/1	1	05722519	11.30/2	5	05724279	11.08/1	9
05720624	11.25/1	2	05722524	11.21/1	52	05724280	11.08/1	10
05720626	11.25/1	36	05722605	11.63/1	19	05724281	11.08/1	12
05720677	11.21/1	38	05722630	11.21/1	33	05724282	11.08/1	13
05720677	11.21/1	48	05722631	11.21/1	34	05724283	11.08/1	14
05720679	11.21/1	35	05722766	11.30/2	8	05724284	11.08/1	20
05720704	11.67/1	28	05722993	11.01/2	6	05724285	11.08/1	23
05720705	11.67/1	31	05723019	11.25/1	33	05724288	11.08/1	35
05720706	11.67/1	32	05723458	11.01/1	9	05724289	11.08/1	37
05720707	11.67/1	34	05723469	11.36/1	7	05724290	11.08/1	39
05720708	11.67/1	35	05723502	11.21/1	3	05724291	11.08/1	41
05720709	11.67/1	53	05723502	194.08/1	1	05724292	11.08/1	42
05720710	11.31/1	1	05724184	11.02/1	40	05724293	11.08/1	43
05720711	11.31/1	6	05724188	11.31/1	4	05724294	11.08/1	44
05720712	11.30/2	13	05724191	11.25/1	25	05724297	11.21/1	18
05720713	11.30/1	1	05724192	11.25/1	27	05724341	11.21/1	68
05720714	11.30/1	2	05724193	11.25/1	39	05724347	11.25/1	11
05720715	11.30/1	5	05724231	11.01/1	1	05724348	11.25/1	12
05720716	11.30/1	6	05724232	11.01/1	4	05724357	11.26/1	9
05720717	11.30/1	7	05724233	11.01/1	6	05724364	11.29/1	6
05720718	11.30/1	18	05724235	11.01/1	30	05724368	11.30/1	19
05720719	11.21/1	1	05724236	11.01/1	14	05724369	11.30/1	20
05720720	11.21/1	20	05724237	11.01/1	15	05724370	11.30/1	14
05720721	11.21/1	53	05724238	11.01/1	11	05724373	11.30/1	26

INDEX

Part no.	Group	Pos.	Part no.	Group	Pos.	Part no.	Group	Pos.
05724374	11.30/1	30	05728076	11.67/1	43	05728242	11.67/1	20
05724375	11.30/1	32	05728105	11.01/1	5	05728243	11.67/1	21
05724376	11.30/2	1	05728105	11.25/1	13	05728244	11.67/1	22
05724377	11.30/2	2	05728108	11.01/1	8	05728245	11.67/1	23
05724378	11.30/2	3	05728114	11.01/1	12	05728246	11.67/1	24
05724379	11.30/2	14	05728114	194.08/1	3	05728247	11.67/1	25
05724379	11.30/2	4	05728120	11.01/1	28	05728248	11.67/1	26
05724381	11.34/1	1	05728121	11.01/1	17	05728249	11.67/1	27
05724382	11.34/1	5	05728122	11.01/1	18	05728251	11.67/1	7
05724384	11.34/1	8	05728130	11.09/1	3	05728254	11.67/1	37
05724386	11.34/1	11	05728131	11.09/1	5	05728255	11.67/1	38
05724388	11.34/1	20	05728132	11.09/1	2	05728256	11.67/1	39
05724389	11.34/1	22	05728133	11.09/1	7	05728257	11.67/1	40
05724390	11.36/1	1	05728134	11.09/1	8	05728258	11.67/1	41
05724391	11.36/1	8	05728135	11.09/1	9	05728268	11.67/1	3
05724398	11.47/1	1	05728136	11.09/1	10	05728272	11.31/1	2
05724399	11.47/1	2	05728137	11.09/1	11	05728273	11.31/1	5
05724400	11.48/1	1	05728138	11.09/1	12	05728276	11.31/1	11
05724445	11.31/1	3	05728155	11.08/1	11	05728277	11.31/1	12
05724462	11.63/1	3	05728159	11.08/1	15	05728278	11.31/1	15
05724464	11.63/1	2	05728160	11.08/1	17	05728279	11.31/1	8
05724464	194.08/1	2	05728162	11.08/1	19	05728280	11.31/1	19
05724466	11.63/1	10	05728179	11.25/1	7	05728281	11.31/1	7
05724467	11.63/1	16	05728180	11.25/1	8	05728282	11.31/1	14
05726722	11.67/1	44	05728181	11.25/1	10	05728287	11.30/2	11
05726802	11.21/1	6	05728185	11.25/1	14	05728288	11.21/1	44
05727269	11.09/1	6	05728186	11.25/1	15	05728288	11.30/2	10
05727276	11.25/1	31	05728189	11.25/1	22	05728289	11.30/2	9
05727284	11.21/1	64	05728192	11.25/1	30	05728292	11.30/1	28
05727286	11.08/1	32	05728199	11.25/1	32	05728297	11.30/1	17
05728009	11.21/1	47	05728202	11.25/1	21	05728299	11.21/1	77
05728010	11.63/1	7	05728211	11.02/1	28	05728299	11.30/1	4
05728011	11.63/1	11	05728212	11.02/1	26	05728304	11.21/1	76
05728014	11.08/1	3	05728213	11.02/1	29	05728304	11.30/1	24
05728024	11.01/1	7	05728214	11.02/1	27	05728309	11.01/2	2
05728030	11.08/1	18	05728215	11.02/1	34	05728313	11.21/1	2
05728034	11.02/1	2	05728216	11.08/1	46	05728318	11.21/1	13
05728036	11.21/1	9	05728219	11.02/1	18	05728322	11.21/1	15
05728037	11.21/1	8	05728230	11.67/1	8	05728325	11.21/1	23
05728038	11.21/1	12	05728231	11.67/1	9	05728326	11.21/1	16
05728039	11.21/1	7	05728232	11.67/1	10	05728327	11.21/1	4
05728041	11.21/1	14	05728233	11.67/1	11	05728329	11.21/1	66
05728042	11.21/1	26	05728234	11.67/1	12	05728338	11.21/1	62
05728045	11.21/1	17	05728235	11.67/1	13	05728338	11.30/1	13
05728052	11.30/2	16	05728236	11.67/1	14	05728339	11.21/1	63
05728068	11.25/1	40	05728237	11.67/1	15	05728340	11.21/1	70
05728069	11.25/1	41	05728238	11.67/1	16	05728344	11.21/1	11
05728071	11.25/1	37	05728239	11.67/1	17	05728344	11.21/1	46
05728072	11.25/1	44	05728240	11.67/1	18	05728351	11.63/1	8
05728073	11.25/1	43	05728241	11.67/1	19	05728355	11.63/1	12

INDEX

Part no.	Group	Pos.	Part no.	Group	Pos.	Part no.	Group	Pos.
05728357	11.63/1	13	06210610	65.05/3	12	07140608	165.28/3	11
05728362	11.63/1	20	06210610	165.28/3	12	07140618	12.13/1	7
05728377	11.02/1	4	06220017	11.67/1	47	07140626	11.26/1	5
05728379	11.30/1	15	06220018	11.02/1	41	07140626	12.13/2	7
05728383	11.34/1	4	06220078	11.21/1	29	07140629	11.31/1	13
05728418	11.08/1	21	06220078	11.67/1	50	07140633	12.13/1	13
05728421	11.08/1	30	06220082	11.01/1	2	07140633	27.09/1	7
05728432	11.08/1	31	06220083	11.25/1	35	07140633	52.16/3	3
05728441	11.30/1	29	06220183	27.17/1	5	07140633	81.06/1	2
05728554	11.21/1	43	06220401	27.14/1	13	07140633	81.24/1	5
05728602	11.67/1	42	06220530	27.14/1	15	07140633	153.44/2	19
05728609	11.63/1	4	06220994	65.05/2	27	07140641	53.44/2	3
05728612	11.67/1	36	06220994	65.05/3	16	07140641	153.44/1	4
05728619	11.21/1	36	06220994	65.05/3	9	07140649	12.13/1	9
05728621	11.02/1	25	06220994	165.28/2	27	07140652	11.30/1	31
05728628	11.21/1	49	06220994	165.28/3	16	07140660	81.06/1	22
05728678	11.25/1	18	06220994	165.28/3	9	07140665	52.16/2	26.3
05728683	11.67/1	48	06221008	153.44/2	15	07140818	12.13/3	5
05728684	11.67/1	45	06221143	153.44/2	11	07140824	12.12/1	9
05728685	11.30/1	3	06223305	65.05/3	7	07140824	12.13/1	22
05728687	11.21/1	67	06223305	165.28/3	7	07140824	12.13/2	1
05751225	81.24/1	18	06245051	65.05/2	6	07140824	27.01/1	3
05753234	81.05/1	4	06245051	165.28/2	6	07140824	52.16/2	8
05755124	81.24/1	8.1	06245052	65.05/2	7	07140824	65.07/1	3
05755196	81.24/1	3.1	06245052	165.28/2	7	07140824	81.06/1	18
05755207	81.24/1	3.2	06245060	27.14/1	3	07140824	165.28/1	1.2
05766813	81.24/1	8	06270009	27.14/2	10	07140842	65.05/3	23
05766885	81.24/1	9	06270011	65.05/3	2	07140842	165.28/3	23
05766887	81.24/1	14	06270011	65.05/3	29	07140846	65.05/3	28
05766958	81.24/1	10	06270011	165.28/3	2	07140846	165.28/3	28
05767004	153.30/1	2	06270011	165.28/3	29	07141008	81.06/1	5
05767028	81.06/1	24	06282084	27.14/2	5	07141017	12.13/2	5
05821197	11.26/1	7	06282203	52.16/2	2	07141027	81.05/1	7
05821197	11.30/2	6	06283067	27.14/1	7	07141030	153.44/2	27
05821239	11.21/1	54	06283093	27.17/1	2	07141044	165.01/1	3
05821240	11.21/1	55	06283104	65.05/2	19	07141044	165.01/1	3
05939180	53.96/1	3	06283104	165.28/2	19	07141044	165.01/1	3
05939246	153.44/2	24	06312296	12.13/1	24	07141224	53.28/1	5
05939247	153.44/2	22	06312296	194.08/1	5	07141224	53.44/1	11
05939248	153.44/2	25	06421265	52.16/2	13	07141224	53.44/1	8
05939249	153.44/2	4	06510212	81.24/1	2	07141224	153.44/1	12
06128800	12.12/1	2	06510215	53.44/1	18	07141224	153.44/1	8
06140945	53.44/1	13	06510384	52.16/1	13	07141231	52.16/1	6
06140945	153.44/1	14	07131618	65.07/1	6	07141631	53.28/1	2
06140945	153.44/2	2	07131618	165.28/1	1.4	07141649	52.16/2	16
06140985	52.16/2	20	07131624	53.97/1	6	07210316	81.24/1	16
06142915	52.16/1	2	07140520	81.24/1	11	07230308	11.25/1	23
06147115	52.16/2	14	07140532	65.05/2	9	07230429	11.29/1	3
06148083	65.05/3	4	07140532	165.28/2	9	07230429	11.34/1	26
06148083	165.28/3	4	07140608	65.05/3	11	07230601	11.02/1	33

INDEX

Part no.	Group	Pos.	Part no.	Group	Pos.	Part no.	Group	Pos.
07230602	11.31/1	17	07231619	12.12/1	3	08130611	53.44/2	5
07230602	11.31/1	20	07240504	11.25/1	9	08130611	81.24/1	7
07230605	11.01/1	19	07240608	11.30/2	12	08130611	153.44/1	6
07230605	11.30/1	25	07240608	11.67/1	29	08130611	153.44/2	21
07230605	27.14/1	5	07240616	11.34/1	14	08130611	153.44/2	33
07230613	27.14/2	7	07320508	27.09/1	2	08130813	12.13/2	3
07230613	153.44/2	31	07320518	153.44/2	7	08130813	52.16/1	4
07230621	11.02/1	16	07320523	53.44/1	4	08131016	12.13/1	5
07230623	11.67/1	52	07320523	53.96/1	5	08131016	81.06/1	9
07230623	27.14/2	3	07320523	153.44/2	8	08131016	153.44/2	30
07230692	11.08/1	29	07320608	11.26/1	10	08131016	165.01/1	5
07230693	11.21/1	75	07510628	11.30/1	21	08131016	165.01/1	5
07230693	81.24/1	20	07510816	11.21/1	69	08131016	165.01/1	5
07230806	65.05/1	6	07551000	11.25/1	38	08131621	52.16/2	19
07230806	65.05/3	31	07590602	12.13/2	10	08131621	53.97/1	7
07230806	165.28/1	6	07590625	11.30/1	23	08132026	52.16/1	14
07230806	165.28/3	31	07591008	12.13/1	3	08132026	52.16/2	6
07230811	65.05/2	25	07591018	12.13/1	2	08141620	52.16/2	12
07230811	65.05/3	26	07611415	65.05/1	7	08240510	27.09/1	9
07230811	165.28/2	25	07611415	65.05/3	13	08251620	12.12/1	5
07230811	165.28/3	26	07611415	165.28/1	7	08330610	11.30/1	27
07230819	11.63/1	6	07611415	165.28/3	13	08500823	81.06/1	14
07230819	12.13/2	15	07611415	194.08/1	6	08501028	165.01/1	4
07230819	65.05/3	14	07621010	11.01/1	3	08501028	165.01/1	4
07230819	81.06/1	12	07632216	11.01/1	24	08501028	165.01/1	4
07230819	165.28/3	14	07632216	11.02/1	38	08510307	81.24/1	17
07230822	27.14/1	18	07760502	11.02/1	12	08510511	11.25/1	42
07230822	27.14/1	23	07760502	11.25/1	24	08510511	27.09/1	4
07230822	65.05/3	20	08110620	11.02/1	31	08510511	53.96/1	7
07230822	165.28/3	20	08110620	11.25/1	28	08510511	65.05/2	10
07230827	11.34/1	16	08110620	11.30/1	10	08510511	81.24/1	12
07230827	153.30/1	7	08110620	11.30/1	33	08510511	153.44/2	9
07230831	11.01/1	20	08110620	11.30/1	8	08510511	165.28/2	10
07230831	11.02/1	23	08110620	11.30/2	17	08510612	11.25/1	29
07230834	65.05/3	1	08110620	153.44/2	3	08510612	11.30/2	15
07230834	65.05/3	21	08110813	27.09/1	6	08510612	11.34/1	3
07230834	165.28/3	1	08110813	81.06/1	16	08510612	11.67/1	30
07230834	165.28/3	21	08111016	11.08/1	22	08510612	12.13/1	10
07230834	194.08/1	4	08111218	52.16/1	8	08510612	12.13/1	14
07230838	11.02/1	22	08120809	11.34/1	23	08510612	12.13/1	8
07230838	11.34/1	7	08121815	27.17/1	11	08510612	12.13/2	11
07230842	11.02/1	24	08130408	11.21/1	41	08510612	12.13/2	8
07230842	12.13/1	18	08130508	53.44/1	5	08510612	27.09/1	8
07230847	153.30/1	4	08130508	53.96/1	4	08510612	52.16/2	26.4
07231115	11.36/1	5	08130508	81.24/1	13	08510612	52.16/3	4
07231207	52.16/1	10	08130508	153.44/2	10	08510612	53.44/1	14
07231216	65.05/2	23	08130611	12.13/1	11	08510612	53.44/2	4
07231216	65.05/2	34	08130611	12.13/1	15	08510612	81.06/1	21
07231216	165.28/2	23	08130611	12.13/2	12	08510612	81.06/1	3
07231216	165.28/2	34	08130611	12.13/2	9	08510612	153.44/1	15

INDEX

Part no.	Group	Pos.	Part no.	Group	Pos.	Part no.	Group	Pos.
08510612	153.44/1	5	08641054	11.34/1	12	09224000	165.28/2	3
08510612	153.44/2	20	08641064	11.08/1	28	09225319	153.44/2	17
08510612	153.44/2	32	08641064	11.31/1	16	09240055	19.07/1	11
08510817	11.21/1	65	08641064	11.34/1	15	09290282	153.44/2	29
08510817	11.34/1	17	08641084	11.02/1	42	09290350	27.17/1	9
08510817	12.13/1	23	08641084	11.34/1	10	09293152	52.16/2	17
08510817	12.13/2	16	08641084	11.63/1	5	09293152	53.97/1	2
08510817	12.13/2	2	08650817	27.14/1	17	09312810	65.05/3	15
08510817	12.13/3	6	08650817	27.14/1	24	09312810	165.28/3	15
08510817	27.01/1	2	08650817	81.06/1	13	09331050	11.67/1	4
08510817	52.16/1	3	08665000	65.05/3	32	09331088	11.01/1	10
08510817	52.16/2	9	08665000	165.28/3	32	09331198	11.01/1	25
08510817	65.05/1	5	08720611	11.21/1	71	09331198	11.02/1	37
08510817	65.05/3	24	08720611	11.21/1	74	09331628	11.21/1	5
08510817	81.06/1	17	08720611	11.26/1	6	09331658	11.02/1	36
08510817	153.30/1	5	08720611	11.30/1	11	48230106	12.12/1	7
08510817	153.30/1	8	08720611	11.30/1	34	68110147	52.16/2	10
08510817	165.28/1	5	08720611	11.30/1	9	68110170	65.05/2	12
08510817	165.28/3	24	08720611	11.30/2	18	68110170	165.28/2	12
08510840	12.12/1	10	08720611	11.31/1	18	68150101	81.06/1	20
08511021	12.13/1	4	08720611	11.34/1	2	68150109	27.14/1	12
08511021	81.05/1	8	08720814	11.01/1	23	69002060	165.01/1	0
08511021	81.06/1	6	08720814	11.26/1	1	69002061	165.01/1	0
08511021	81.06/1	8	08751064	81.24/1	6	69002065	165.01/1	0
08511021	153.44/2	28	08752084	65.05/3	27	69002071	165.15/1	1
08511323	52.16/1	7	08752084	165.28/3	27	69003090	165.01/1	1
08511324	52.16/1	11	08752130	53.28/1	6	69003091	165.01/1	2
08511324	52.16/1	15	08752130	53.44/1	12	69003092	165.01/1	1
08511730	12.12/1	4	08752130	53.44/1	7	69003093	165.01/1	2
08511730	52.16/2	18	08752130	153.44/1	13	69003098	165.01/1	2
08511730	53.97/1	5	08752130	153.44/1	9	69003116	165.01/1	1
08511730	65.07/1	7	08752170	12.12/1	6	69020133	65.05/2	30
08511730	165.28/1	1.5	09120862	65.05/3	19	69020133	165.28/2	30
08511732	53.28/1	3	09120862	165.28/3	19	69020135	65.05/2	32
08512136	52.16/2	5	09126823	65.05/2	18	69020135	165.28/2	32
08520008	11.67/1	46	09126823	165.28/2	18	69020292	65.05/3	8
08590617	11.26/1	11	09151615	53.97/1	4	69020292	165.28/3	8
08590617	11.26/1	8	09160406	12.13/1	20	69020332	65.05/2	17
08590617	11.30/1	22	09160817	27.14/2	9	69020332	165.28/2	17
08590617	12.13/2	13	09188303	65.05/2	31	69020333	65.05/2	5
08602603	65.05/2	14	09188303	165.28/2	31	69020333	165.28/2	5
08602603	165.28/2	14	09211800	19.07/1	4	69020350	65.07/1	5
08621064	11.21/1	61	09213000	65.05/2	2	69020351	165.02/1	1
08621064	11.21/1	73	09213000	65.05/2	29	69020394	65.05/3	5
08621064	11.30/1	12	09213000	165.28/2	2	69020394	165.28/3	5
08621064	11.34/1	19	09213000	165.28/2	29	69020406	65.05/3	3
08621084	65.07/1	4	09221130	65.05/2	16	69020406	165.28/3	3
08621084	165.28/1	1.3	09221130	165.28/2	16	69020423	65.07/1	1
08641044	11.29/1	2	09223300	19.07/1	3	69020426	65.05/3	6
08641044	11.34/1	28	09224000	65.05/2	3	69020426	165.28/3	6

INDEX



Part no.	Group	Pos.	Part no.	Group	Pos.	Part no.	Group	Pos.
69020447	65.05/3	17	69060160	52.16/3	1	69120142	153.44/1	2
69020447	165.28/3	17	69060179	52.16/2	4	69120568	53.97/1	1
69020448	65.05/3	18	69060182	52.16/2	3	69120833	53.44/1	6
69020448	165.28/3	18	69060206	52.16/2	26.1	69120833	153.44/1	7
69020689	65.05/2	21	69060334	52.16/2	15	69120836	53.44/1	2
69020689	165.28/2	21	69060376	52.16/2	1	69120905	53.44/1	1
69020720	65.05/2	20	69060391	52.16/3	2	69120905	153.44/1	1
69020720	165.28/2	20	69060447	52.16/1	1	69120931	53.28/1	1
69020723	65.07/1	2.2	69060453	52.16/3	5	69203021	153.44/2	14
69020723	165.28/1	1.1.2	69060460	52.16/2	26	69203024	153.44/2	16
69020724	65.07/1	2.3	69060477	52.16/1	1	69203026	153.44/2	12
69020724	165.28/1	1.1.3	69070144	81.05/1	3	69203033	153.44/2	23
69020727	65.05/2	8	69070145	81.05/1	6	69203043	153.30/1	3
69020727	165.28/2	8	69070146	81.05/1	5	69203047	153.44/2	18
69020734	65.05/3	22	69070159	81.05/1	2	69203048	153.44/2	26
69020734	165.28/3	22	69070160	81.06/1	4	69203049	153.44/2	5
69020737	65.05/3	25	69070169	81.05/1	11	69203070	153.44/2	13
69020737	165.28/3	25	69070190	81.06/1	11	69203077	153.44/2	1
69020742	65.05/1	1	69070241	81.24/1	15	69203086	153.30/1	1
69020752	65.05/2	26	69070245	81.24/1	19	69203105	165.27/1	1
69020752	165.28/2	26	69070256	81.24/1	1	69203108	165.28/1	1
69020775	65.07/1	2	69070263	81.05/1	1	69210174	65.05/2	24
69020775	165.28/1	1.1	69070277	81.06/1	1	69210174	65.05/2	35
69020776	65.07/1	2.1	69110122	27.14/1	21	69210174	165.28/2	24
69020776	165.28/1	1.1.1	69110123	27.14/1	20	69210174	165.28/2	35
69020778	65.05/2	22	69110147	27.14/1	4	69270123	81.24/1	3
69020778	165.28/2	22	69110161	27.14/1	16	69270124	81.06/1	23
69020779	65.05/2	33	69110164	27.14/1	22	69270125	81.06/1	7
69020779	165.28/2	33	69110178	27.14/1	1	69440120	52.16/2	7
69030261	12.12/1	8	69110183	27.01/1	1	70060114	53.28/1	4
69030319	12.12/1	1	69110184	27.14/1	14	70060114	53.44/1	10
69040261	12.13/1	17	69110186	27.17/1	1	70060114	153.44/1	11
69040291	12.12/1	11	69110188	27.14/2	8	73060114	52.16/2	11
69040291	12.13/1	21	69110190	27.14/2	1	77569262	194.08/1	0
69040333	12.13/2	14	69110199	27.17/1	8	95695211	65.05/3	30
69040366	12.13/1	19	69110218	27.14/1	11	95695211	165.28/3	30
69040393	12.13/1	6	69110219	27.14/2	2	97204693	27.17/1	6
69040394	12.13/1	12	69110220	27.14/2	4			
69040409	12.13/3	7	69110221	27.17/1	3			
69040414	12.13/2	4	69110222	27.14/2	6			
69040423	12.13/2	6	69110224	27.14/1	10			
69040424	12.13/2	17	69120111	53.44/1	3			
69040426	12.13/2	6	69120118	53.96/1	2			
69040429	12.13/1	12	69120122	53.44/2	2			
69040432	12.13/1	12	69120122	153.44/1	3			
69040436	12.13/3	7	69120127	53.44/1	9			
69060147	52.16/2	26.2	69120127	153.44/1	10			
69060156	52.16/1	12	69120138	53.97/1	3			
69060158	52.16/1	9	69120141	53.96/1	1			
69060159	52.16/1	5	69120142	53.44/2	1			

PARTS FINDER

**Search Website
by Part Number**



**Search Manual
Library For Parts
Manual & Lookup Part
Numbers – Purchase
or Request Quote**

Search Manuals

Enter your information to help us find the right parts manual for your machine.

* Brand:

* Model:

* Serial:

* Part Number:

SEARCH

**Can't Find Part or
Manual? Request Help
by Manufacturer,
Model & Description**

Parts Order Form

Please fill in the following information to help us find the right part for your machine.

Manufacturer:	<input type="text"/>
Model:	<input type="text"/>
Description:	<input type="text"/>
Part Number:	<input type="text"/>
Quantity:	<input type="text"/>
Notes:	<input type="text"/>

Submit

Discount-Equipment.com is your online resource for quality parts & equipment.

Florida: **561-964-4949** Outside Florida TOLL FREE: **877-690-3101**

Need parts?

Click on this link: <http://www.discount-equipment.com/category/5443-parts/> and choose one of the options to help get the right parts and equipment you are looking for. Please have the machine model and serial number available in order to help us get you the correct parts. If you don't find the part on the website or on one of the online manuals, please fill out the request form and one of our experienced staff members will get back to you with a quote for the right part that your machine needs.

We sell worldwide for the brands: Genie, Terex, JLG, MultiQuip, Mikasa, Essick, Whiteman, Mayco, Toro Stone, Diamond Products, Generac Magnum, Airman, Haulotte, Barreto, Power Blanket, Nifty Lift, Atlas Copco, Chicago Pneumatic, Allmand, Miller Curber, Skyjack, Lull, Skytrak, Tsurumi, Husquvarna Target, Stow, Wacker, Sakai, Mi-T-M, Sullair, Basic, Dynapac, MBW, Weber, Bartell, Bennar Newman, Haulotte, Ditch Runner, Menegotti, Morrison, Contec, Buddy, Crown, Edco, Wyco, Bomag, Laymor, EZ Trench, Bil-Jax, F.S. Curtis, Gehl Pavers, Heli, Honda, ICS/PowerGrit, IHI, Partner, Imer, Clipper, MMD, Koshin, Rice, CH&E, General Equipment, Amida, Coleman, NAC, Gradall, Square Shooter, Kent, Stanley, Tamco, Toku, Hatz, Kohler, Robin, Wisconsin, Northrock, Oztec, Toker TK, Rol-Air, APT, Wylie, Ingersoll Rand / Doosan, Innovatech, Con X, Ammann, Mecalac, Makinex, Smith Surface Prep, Small Line, Wanco, Yanmar