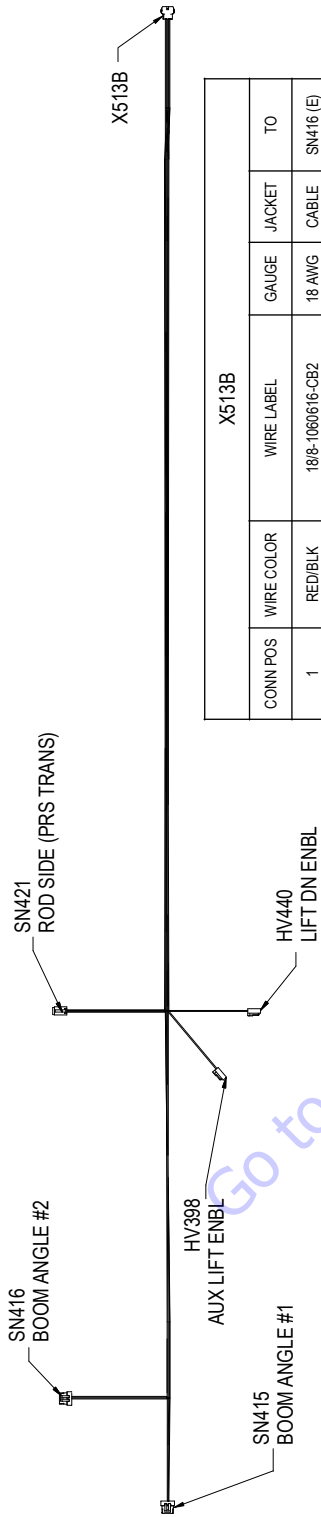


SECTION 7 - BASIC ELECTRICAL INFORMATION & ELECTRICAL SCHEMATICS



X513B					
CONN POS	WIRE COLOR	WIRE LABEL	GAUGE	JACKET	TO
1	RED/BLK	18/8-1060/616-CB2	18 AWG	CABLE	SN416 (E)
2	BLU/BLK	18/8-1060/616-CB2	18 AWG	CABLE	SN416 (C)
3	ORG	18/8-1060/616-CB2	18 AWG	CABLE	SN416 (F)
4	BLK	18/8-1060/616-CB2	18 AWG	CABLE	SN415 (E)
5	BLU	18/8-1060/616-CB2	18 AWG	CABLE	SN415 (C)
6	YEL	18/8-1060/616-CB2	18 AWG	CABLE	SN415 (F)
7	YEL	18/8-1060/616-CB1	18 AWG	CABLE	SN421 (2)
8	BLK	18/8-1060/616-CB1	18 AWG	CABLE	SN421 (1)
9	ORG	18/8-1060/616-CB1	18 AWG	CABLE	SN421 (4)
10	BLU/BLK	18/8-1060/616-CB1	18 AWG	CABLE	HV398 (2)
11	BLU	18/8-1060/616-CB1	18 AWG	CABLE	HV398 (2)
12	RED/BLK	18/8-1060/616-CB1	18 AWG	CABLE	HV440 (2)
13	RED	18/8-1060/616-CB1	18 AWG	CABLE	HV440 (1)
14	SHLD	18/8-1060/616-CB2	18 AWG	CABLE	SN416 (NC)
15	SHLD	18/8-1060/616-CB1	18 AWG	CABLE	SN421 (NC)

SN421 (ROD SIDE - PRS TRANS)					
CONN POS	WIRE COLOR	WIRE LABEL	GAUGE	JACKET	TO
1	BLK	18/8-1060/616-CB1	18 AWG	CABLE	X513B (8)
2	YEL	18/8-1060/616-CB1	18 AWG	CABLE	X513B (7)
4	ORG	18/8-1060/616-CB1	18 AWG	CABLE	X513B (9)
NC	SHLD	18/8-1060/616-CB1	18 AWG	CABLE	X513B (15)

SN415 (BOOM ANGLE #1)					
CONN POS	WIRE COLOR	WIRE LABEL	GAUGE	JACKET	TO
C	BLU	18/8-1060/616-CB2	18 AWG	CABLE	X513B (5)
E	BLK	18/8-1060/616-CB2	18 AWG	CABLE	X513B (4)
F	YEL	18/8-1060/616-CB2	18 AWG	CABLE	X513B (6)

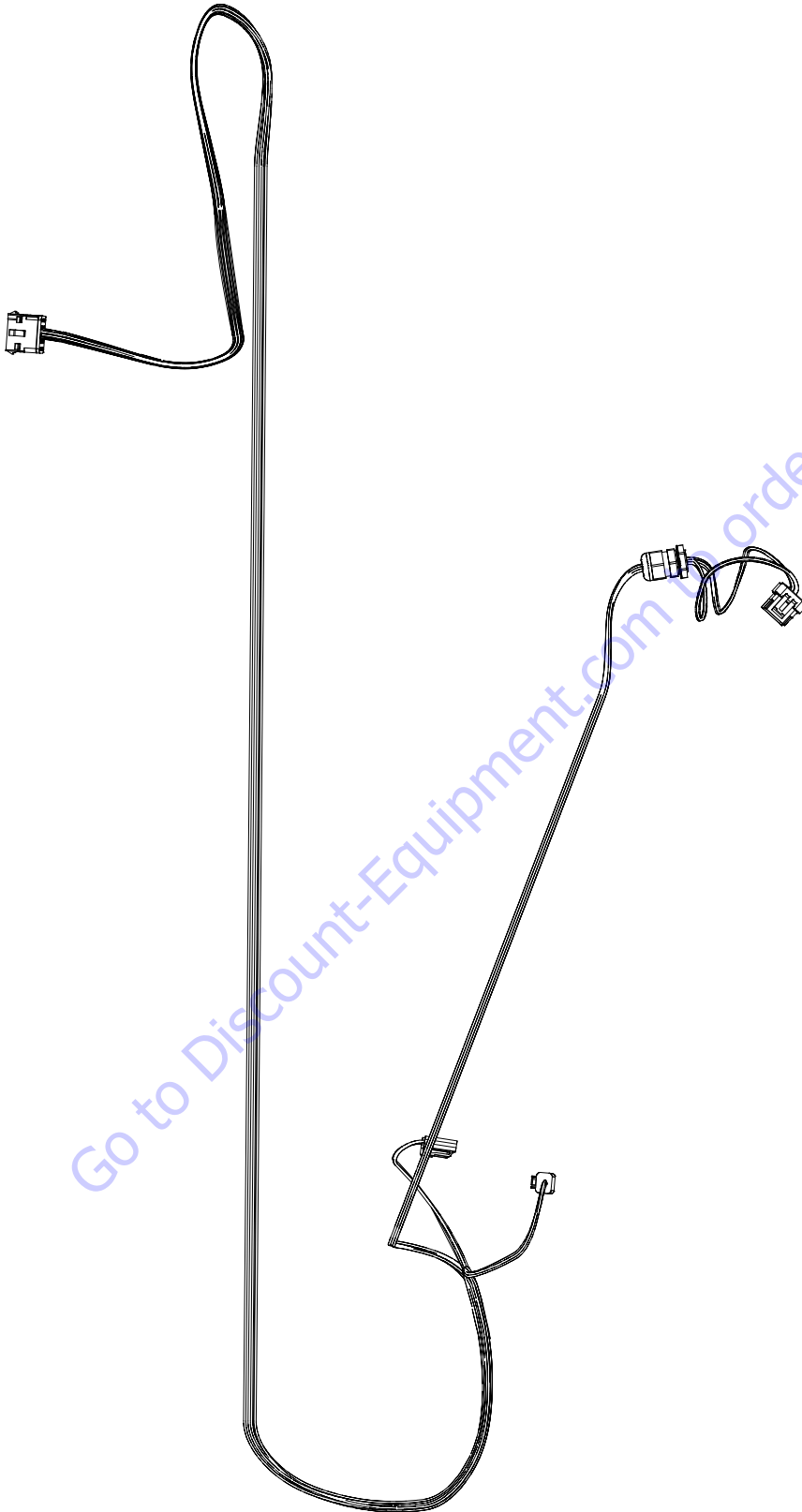
SN416 (BOOM ANGLE #2)					
CONN POS	WIRE COLOR	WIRE LABEL	GAUGE	JACKET	TO
C	BLU/BLK	18/8-1060/616-CB2	18 AWG	CABLE	X513B (2)
E	RED/BLK	18/8-1060/616-CB2	18 AWG	CABLE	X513B (1)
F	ORG	18/8-1060/616-CB2	18 AWG	CABLE	X513B (3)
NC	SHLD	18/8-1060/616-CB2	18 AWG	CABLE	X513B (14)

HV398 (AUX LIFT ENBL)					
CONN POS	WIRE COLOR	WIRE LABEL	GAUGE	JACKET	TO
1	BLU	18/8-1060/616-CB1	18 AWG	CABLE	X513B (11)
2	BLU/BLK	18/8-1060/616-CB1	18 AWG	CABLE	X513B (10)

HV440 (LIFT DN ENBL)					
CONN POS	WIRE COLOR	WIRE LABEL	GAUGE	JACKET	TO
1	RED	18/8-1060/616-CB1	18 AWG	CABLE	X513B (13)
2	RED/BLK	18/8-1060/616-CB1	18 AWG	CABLE	X513B (12)

Figure 7-118. Boom Lift Valve Sensor Harness - Sheet 1 of 2

1001216506 B



1001216806 B

Go to Discount-Equipment.com to order your parts

Figure 7-119. Boom Lift Valve Sensor Harness - Sheet 2 of 2

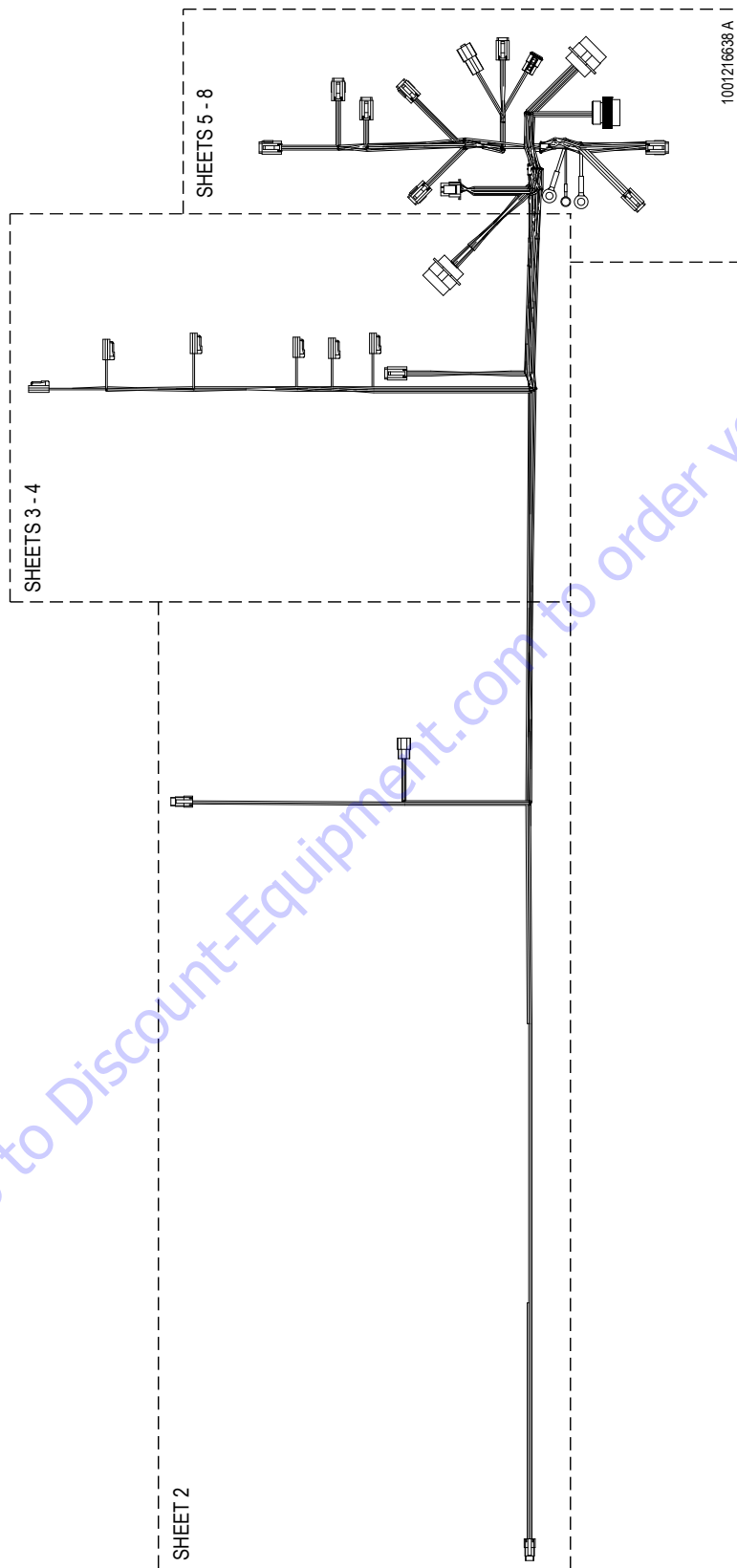
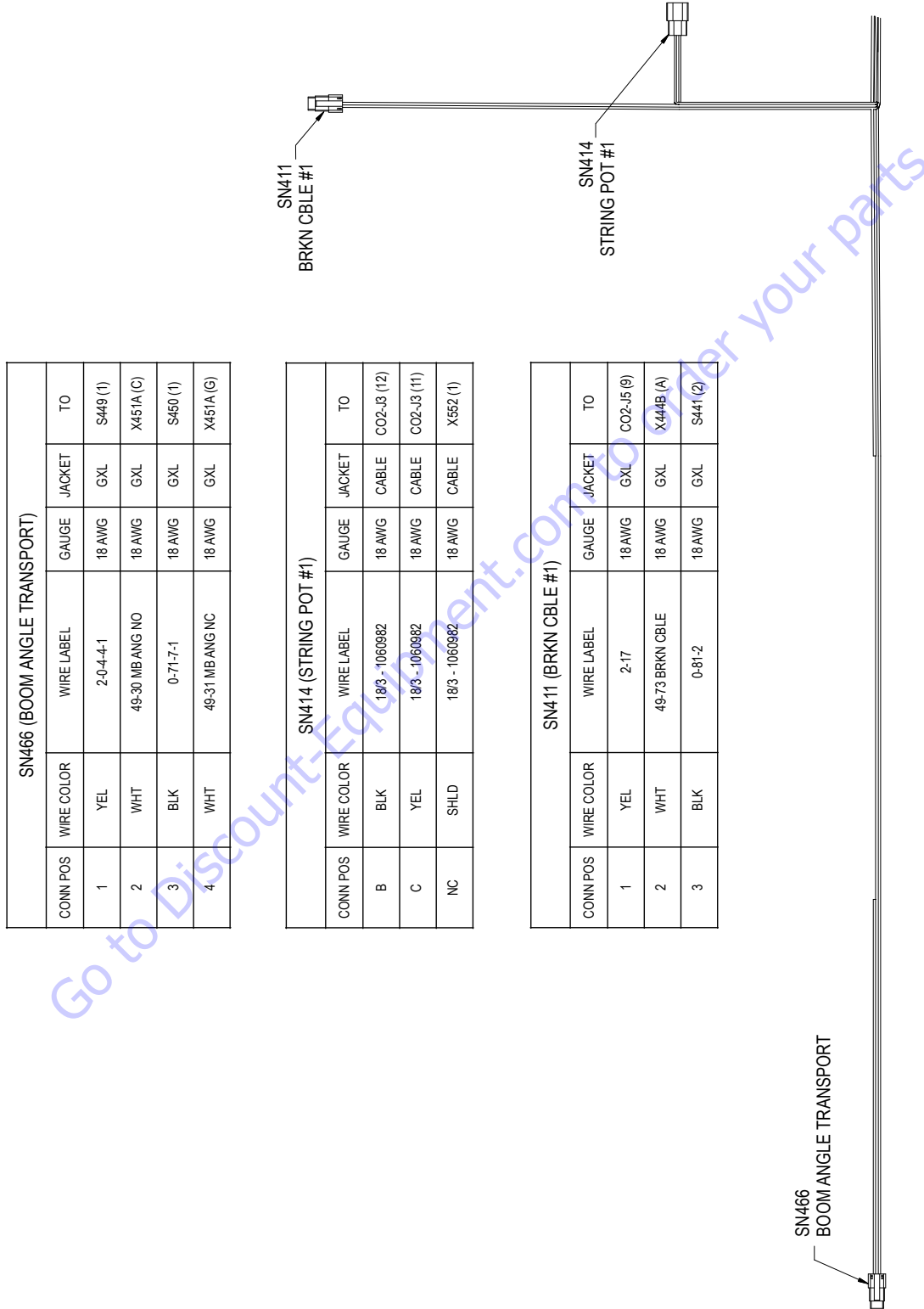


Figure 7-120. Ultra Boom Control Box Harness - Sheet 1 of 9



SN466 (BOOM ANGLE TRANSPORT)				
CONN POS	WIRE COLOR	WIRE LABEL	GAUGE	JACKET TO
1	YEL	2-0-4-4-1	18 AWG	GXL S449 (1)
2	WHT	49-30 MB ANG NO	18 AWG	GXL X451A (C)
3	BLK	0-71-7-1	18 AWG	GXL S450 (1)
4	WHT	49-31 MB ANG NC	18 AWG	GXL X451A (G)

SN414 (STRING POT #1)				
CONN POS	WIRE COLOR	WIRE LABEL	GAUGE	JACKET TO
B	BLK	183 - 1060982	18 AWG	CABLE CO2-J3 (12)
C	YEL	183 - 1060982	18 AWG	CABLE CO2-J3 (11)
NC	SHLD	183 - 1060982	18 AWG	CABLE X552 (1)

SN411 (BRKN CBLE #1)				
CONN POS	WIRE COLOR	WIRE LABEL	GAUGE	JACKET TO
1	YEL	2-17	18 AWG	GXL CO2-J5 (9)
2	WHT	49-73 BRKN CBLE	18 AWG	GXL X444B (A)
3	BLK	0-81-2	18 AWG	GXL S441 (2)

1001216638 A

Figure 7-121. Ultra Boom Control Box Harness - Sheet 2 of 9

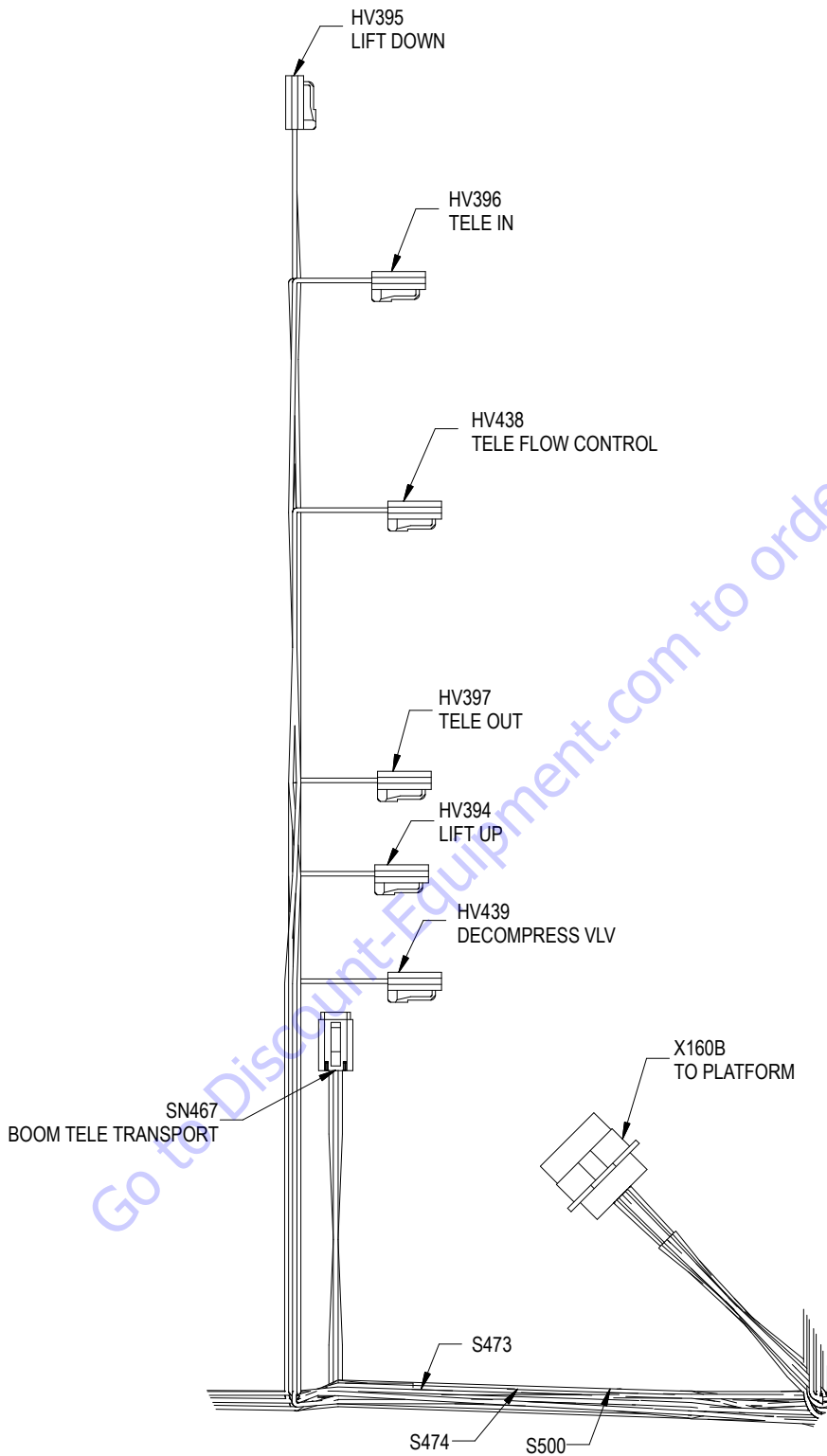


Figure 7-122. Ultra Boom Control Box Harness - Sheet 3 of 9

1001216638 A

SECTION 7 - BASIC ELECTRICAL INFORMATION & ELECTRICAL SCHEMATICS

HV395 (LIFT DOWN)					
CONN POS	WIRE COLOR	WIRE LABEL	GAUGE	JACKET	TO
1	WHT	3-7 LIFT DN	18 AWG	GXL	CO2-J5 (2)
2	BLK	0-71-6	18 AWG	GXL	MS426 (6)

HV396 (TELE IN)					
CONN POS	WIRE COLOR	WIRE LABEL	GAUGE	JACKET	TO
1	WHT	13-4 TELE IN	18 AWG	GXL	S474 (2)
2	BLK	0-71-5	18 AWG	GXL	MS426 (5)

HV438 (TELE FLOW CONTROL)					
CONN POS	WIRE COLOR	WIRE LABEL	GAUGE	JACKET	TO
1	WHT	13-7 TELE FCNTROL	18 AWG	GXL	S473 (2)
2	BLK	0-71-3	18 AWG	GXL	MS426 (3)

HV397 (TELE OUT)					
CONN POS	WIRE COLOR	WIRE LABEL	GAUGE	JACKET	TO
1	WHT	13-3 TELE OUT	18 AWG	GXL	CO2-J5 (6)
2	BLK	0-71-4	18 AWG	GXL	MS426 (4)

HV394 (LIFT UP)					
CONN POS	WIRE COLOR	WIRE LABEL	GAUGE	JACKET	TO
1	WHT	3-6 LIFT UP	18 AWG	GXL	S500 (2)
2	BLK	0-31	18 AWG	GXL	CO2-J5 (12)

HV439 (DECOMPRESS VLV)					
CONN POS	WIRE COLOR	WIRE LABEL	GAUGE	JACKET	TO
1	WHT	6-1 DECOMP VLV	18 AWG	GXL	CO2-J5 (4)
2	BLK	0-71-2	18 AWG	GXL	MS426 (2)

SN467 (BOOM TELE TRANSPORT)					
CONN POS	WIRE COLOR	WIRE LABEL	GAUGE	JACKET	TO
1	RED	16/4 - 1060079	16 AWG	CABLE	S449 (1)
2	ORG	16/4 - 1060079	16 AWG	CABLE	X451A (D)
3	BLK	16/4 - 1060079	16 AWG	CABLE	S450 (1)
4	BLU	16/4 - 1060079	16 AWG	CABLE	X451A (H)

X160B (TO PLATFORM)					
CONN POS	WIRE COLOR	WIRE LABEL	GAUGE	JACKET	TO
2	GRN	CN L CH I	18 AWG	GXL	CO2-J4 (4)
3	YEL	CN H CH I	18 AWG	GXL	CO2-J4 (3)
4	YEL	2-4	18 AWG	GXL	X159A (4)
5	RED	1-4	18 AWG	GXL	X159A (5)
6	WHT	34-1 FT SW TO UGM	18 AWG	GXL	X159A (6)
7	WHT	25-4-2 LVL DN O/R	18 AWG	GXL	X159A (7)
9	WHT	25-3-2 LVL UP O/R	18 AWG	GXL	X159A (9)
10	YEL	2-0-4-2	12 AWG	GXL	MS504 (3)
11	YEL	2-5	18 AWG	GXL	X159A (11)
12	YEL	2-0-4-1	12 AWG	GXL	MS504 (2)
13	WHT	50-2-1 PLTFM DUMP	16 AWG	GXL	X159A (13)
15	WHT	50-2-2 PLTFM DUMP	16 AWG	GXL	X159A (15)
16	BLK	0-72	12 AWG	GXL	MS426 (9)
18	BLK	0-71	12 AWG	GXL	MS426 (8)

S500					
CONN POS	WIRE COLOR	WIRE LABEL	GAUGE	JACKET	TO
1	WHT	3-6 LIFT UP	18 AWG	GXL	CO2-J5 (1)
1	WHT	3-7-1 LIFT UP O/R	18 AWG	GXL	X451A (E)
2	WHT	3-6 LIFT UP	18 AWG	GXL	HV394 (1)

S474					
CONN POS	WIRE COLOR	WIRE LABEL	GAUGE	JACKET	TO
1	WHT	13-4 TELE IN	18 AWG	GXL	CO2-J5 (5)
1	WHT	13-4-1 TELE IN O/R	18 AWG	GXL	X451A (F)
2	WHT	13-4 TELE IN	18 AWG	GXL	HV396 (1)

S473					
CONN POS	WIRE COLOR	WIRE LABEL	GAUGE	JACKET	TO
1	WHT	13-7 TELE FCNTRL	18 AWG	GXL	CO2-J5 (3)
1	WHT	13-7-1 FCNTRL O/R	18 AWG	GXL	X451A (B)
2	WHT	13-7 TELE FCNTRL	18 AWG	GXL	HV438 (1)

Figure 7-123. Ultra Boom Control Box Harness - Sheet 4 of 9

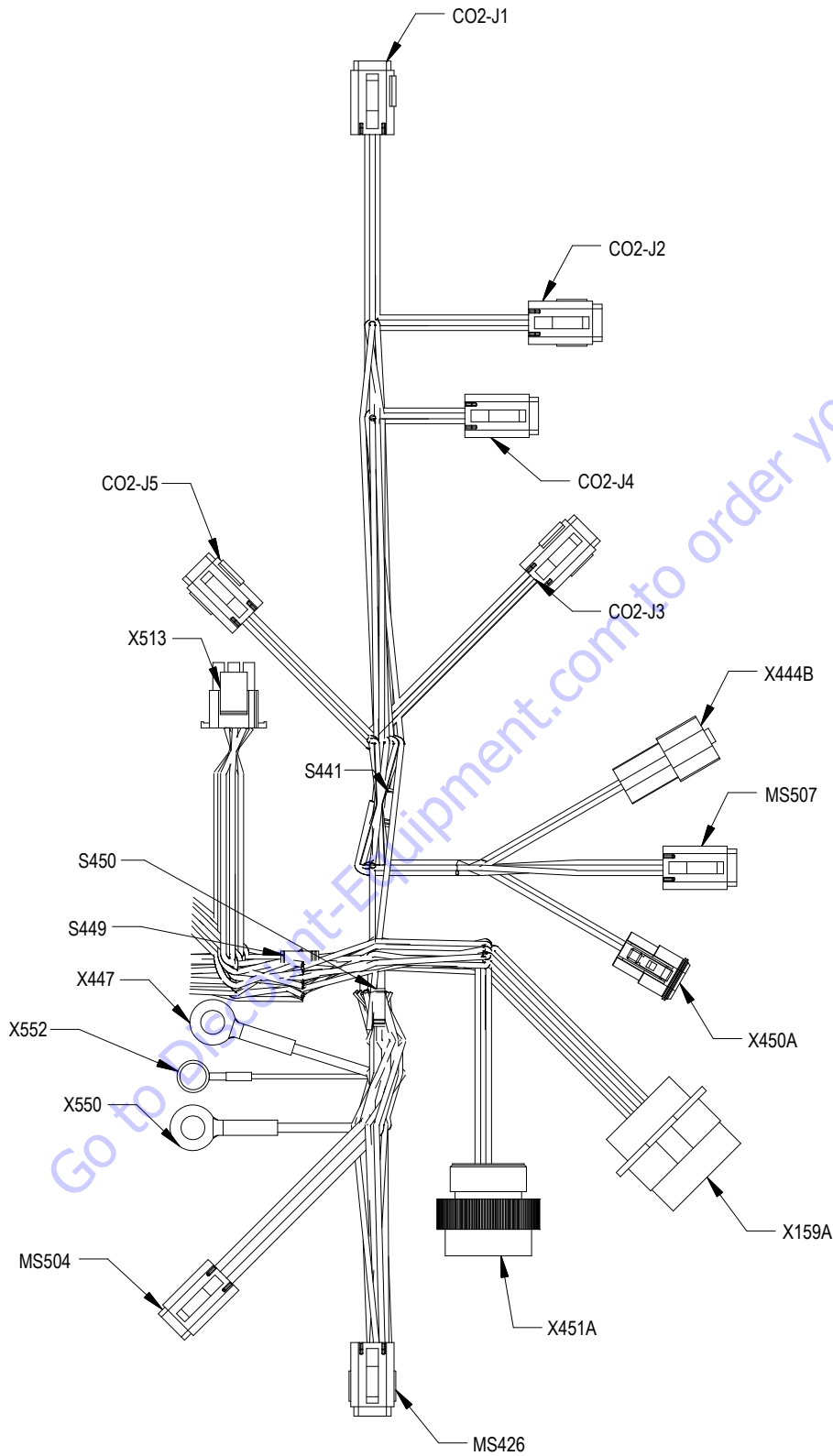


Figure 7-124. Ultra Boom Control Box Harness - Sheet 5 of 9

1001216638 A

SECTION 7 - BASIC ELECTRICAL INFORMATION & ELECTRICAL SCHEMATICS

CO2-J1					
CONN POS	WIRE COLOR	WIRE LABEL	GAUGE	JACKET	TO
4	BLK	0-71-12	18 AWG	GXL	MS426 (12)
5	YEL	2-0-4-8	18 AWG	GXL	MS504 (6)
6	YEL	CN H CH I	18 AWG	GXL	X159A (3)
7	GRN	CN L CH I	18 AWG	GXL	X159A (2)
12	BLK	0-22	18 AWG	GXL	X513 (4)

CO2-J2					
CONN POS	WIRE COLOR	WIRE LABEL	GAUGE	JACKET	TO
3	BLK	0-27	18 AWG	GXL	X513 (10)
7	WHT	49-73-1 BRKN CBLE	18 AWG	GXL	X444B (C)
8	WHT	49-74 ANG #1	18 AWG	GXL	X513 (5)
9	WHT	49-75 ANG #2	18 AWG	GXL	X513 (2)
12	WHT	3-8 AUX ENBL	18 AWG	GXL	X513 (11)

CO2-J4					
CONN POS	WIRE COLOR	WIRE LABEL	GAUGE	JACKET	TO
2	BLK	0-81	18 AWG	GXL	S441 (1)
3	YEL	CN H CH I	18 AWG	GXL	X160B (3)
4	GRN	CN L CH I	18 AWG	GXL	X160B (2)
8	BLK	0-23	18 AWG	GXL	X513 (1)

CO2-J3					
CONN POS	WIRE COLOR	WIRE LABEL	GAUGE	JACKET	TO
1	WHT	5V REF	18 AWG	GXL	CO2-J3 (2)
2	WHT	5V REF	18 AWG	GXL	CO2-J3 (1)
4	WHT	49-79 5V REF	18 AWG	GXL	X450A (A)
5	WHT	49-81 LNTH OUT	18 AWG	GXL	X450A (C)
6	WHT	0-24	18 AWG	GXL	X450A (B)
7	WHT	49-87 5V REF	18 AWG	GXL	MS507 (2)
8	WHT	49-88 ROD PRS	18 AWG	GXL	X513 (9)
9	BLK	0-28	18 AWG	GXL	X513 (8)
10	ORG	18/3 - 1060982	18 AWG	CABLE	SN414 (A)
11	YEL	18/3 - 1060982	18 AWG	CABLE	SN414 (C)
12	BLK	18/3 - 1060982	18 AWG	CABLE	SN414 (B)

X444B					
CONN POS	WIRE COLOR	WIRE LABEL	GAUGE	JACKET	TO
A	WHT	49-73 BRKN CBLE	18 AWG	GXL	SN411 (2)
B	BLK	0-81-1	18 AWG	GXL	S441 (2)
C	WHT	49-73-1 BRKN CBLE	18 AWG	GXL	CO2-J2 (7)

MS507 (5V REF)					
CONN POS	WIRE COLOR	WIRE LABEL	GAUGE	JACKET	TO
1	WHT	49-87-1 5V REF	18 AWG	GXL	X513 (7)
2	WHT	49-87 5V REF	18 AWG	GXL	CO2-J3 (7)
3	WHT	49-87-2 5V REF	18 AWG	GXL	X513 (3)
4	WHT	49-87-3 5V REF	18 AWG	GXL	X513 (6)

X450A					
CONN POS	WIRE COLOR	WIRE LABEL	GAUGE	JACKET	TO
A	WHT	49-79 5V REF	18 AWG	GXL	CO2-J3 (4)
B	WHT	0-24	18 AWG	GXL	CO2-J3 (6)
C	WHT	49-81 LNTH OUT	18 AWG	GXL	CO2-J3 (5)

X159A (TO TURNTABLE)					
CONN POS	WIRE COLOR	WIRE LABEL	GAUGE	JACKET	TO
2	GRN	CN L CH I	18 AWG	GXL	CO2-J1 (7)
3	YEL	CN H CH I	18 AWG	GXL	CO2-J1 (6)
4	YEL	2-4	18 AWG	GXL	X160B (4)
5	RED	1-4	18 AWG	GXL	X160B (5)
6	WHT	34-1 FT SW TO UGM	18 AWG	GXL	X160B (6)
7	WHT	25-4-2 LVL DN O/R	18 AWG	GXL	X160B (7)
9	WHT	25-3-2 LVL UP O/R	18 AWG	GXL	X160B (9)
10	YEL	2-0-4-2	12 AWG	GXL	MS504 (4)
11	YEL	2-5	18 AWG	GXL	X160B (11)
12	YEL	2-0-4-1	12 AWG	GXL	MS504 (5)
13	WHT	50-2-1 PLTFM DUMP	16 AWG	GXL	X160B (13)
15	WHT	50-2-2 PLTFM DUMP	16 AWG	GXL	X160B (15)
16	BLK	0-72	12 AWG	GXL	MS426 (10)
18	BLK	0-71	12 AWG	GXL	MS426 (11)

Figure 7-125. Ultra Boom Control Box Harness - Sheet 6 of 9

SECTION 7 - BASIC ELECTRICAL INFORMATION & ELECTRICAL SCHEMATICS

X451A					
CONN POS	WIRE COLOR	WIRE LABEL	GAUGE	JACKET	TO
A	WHT	3-1 DN EBLR	18 AWG	GXL	X513 (13)
B	WHT	13-7-1 FCNTROL O/R	18 AWG	GXL	SN466 (2)
C	WHT	49-30 MB ANG NO	18 AWG	GXL	SN467 (2)
D	ORG	16/4 - 1060079	16 AWG	CABLE	SN467 (2)
E	WHT	3-7-1 LIFT UP O/R	18 AWG	GXL	S500 (1)
F	WHT	13-4-1 TELE IN O/R	18 AWG	GXL	S474 (1)
G	WHT	49-31 MB ANG NC	18 AWG	GXL	SN466 (4)
H	BLU	16/4 - 1060079	16 AWG	CABLE	SN467 (4)
L	WHT	60-8 DN ENBL RTN	18 AWG	GXL	X513 (12)

X550					
CONN POS	WIRE COLOR	WIRE LABEL	GAUGE	JACKET	TO
1	N/A	SNSR SHLD	12 AWG	BRAID	X513 (14)

X552					
CONN POS	WIRE COLOR	WIRE LABEL	GAUGE	JACKET	TO
1	SHLD	18/3 - 1060982	18 AWG	CABLE	SN414 (NC)

X447					
CONN POS	WIRE COLOR	WIRE LABEL	GAUGE	JACKET	TO
1	N/A	SNSR SHLD	12 AWG	BRAID	X513 (15)

MS426 (GROUND BUSS)					
CONN POS	WIRE COLOR	WIRE LABEL	GAUGE	JACKET	TO
2	BLK	0-71-2	18 AWG	GXL	HV439 (2)
3	BLK	0-71-3	18 AWG	GXL	HV438 (2)
4	BLK	0-71-4	18 AWG	GXL	HV397 (2)
5	BLK	0-71-5	18 AWG	GXL	HV396 (2)
6	BLK	0-71-6	18 AWG	GXL	HV395 (2)
7	BLK	0-71-7	18 AWG	GXL	S450 (2)
8	BLK	0-71	12 AWG	GXL	X460B (18)
9	BLK	0-72	12 AWG	GXL	X160B (16)
10	BLK	0-72	12 AWG	GXL	X159A (16)
11	BLK	0-71	12 AWG	GXL	X159A (18)
12	BLK	0-71-12	18 AWG	GXL	CO2-J1 (4)

S449					
CONN POS	WIRE COLOR	WIRE LABEL	GAUGE	JACKET	TO
1	RED	16/4 - 1060079	16 AWG	CABLE	SN467 (1)
1	YEL	2-0-4-4-1	18 AWG	GXL	SN466 (1)
2	YEL	2-0-4-4	18 AWG	GXL	MS504 (1)

S450					
CONN POS	WIRE COLOR	WIRE LABEL	GAUGE	JACKET	TO
1	BLK	16/4 - 1060079	16 AWG	CABLE	SN467 (3)
1	BLK	0-71-7-1	18 AWG	GXL	SN466 (3)
2	BLK	0-71-7	18 AWG	GXL	MS426 (7)

MS504 (IGNITION BUSS)					
CONN POS	WIRE COLOR	WIRE LABEL	GAUGE	JACKET	TO
1	YEL	2-0-4-4	18 AWG	GXL	S449 (2)
2	YEL	2-0-4-1	12 AWG	GXL	X160B (12)
3	YEL	2-0-4-2	12 AWG	GXL	X160B (10)
4	YEL	2-0-4-2	12 AWG	GXL	X159A (10)
5	YEL	2-0-4-1	12 AWG	GXL	X159A (12)
6	YEL	2-0-4-8	18 AWG	GXL	CO2-J1 (5)

S441					
CONN POS	WIRE COLOR	WIRE LABEL	GAUGE	JACKET	TO
1	BLK	0-81	18 AWG	GXL	CO2-J4 (2)
2	BLK	0-81-1	18 AWG	GXL	X444B (B)
2	BLK	0-81-2	18 AWG	GX	SN411 (3)

Figure 7-126. Ultra Boom Control Box Harness - Sheet 7 of 9

SECTION 7 - BASIC ELECTRICAL INFORMATION & ELECTRICAL SCHEMATICS

X513 (LIFT CYL SNSR)					
CONN POS	WIRE COLOR	WIRE LABEL	GAUGE	JACKET	TO
1	BLK	0-23	18 AWG	GXL	CO2-J4 (8)
2	WHT	49-75 ANG #2	18 AWG	GXL	CO2-J2 (9)
3	WHT	49-87-2 5V REF	18 AWG	GXL	MS507 (3)
4	BLK	0-22	18 AWG	GXL	CO2-J1 (12)
5	WHT	49-74 ANG #1	18 AWG	GXL	CO2-J2 (8)
6	WHT	49-87-3 5V REF	18 AWG	GXL	MS507 (4)
7	WHT	49-87-1 5V REF	18 AWG	GXL	MS507 (1)
8	BLK	0-28	18 AWG	GXL	CO2-J3 (9)
9	WHT	49-88 ROD PRS	18 AWG	GXL	CO2-J3 (8)
10	BLK	0-27	18 AWG	GXL	CO2-J2 (3)
11	WHT	3-8 AUX ENBL	18 AWG	GXL	CO2-J2 (12)
12	WHT	60-8 DN ENBL RTN	18 AWG	GXL	X451A (L)
13	WHT	3-1 DN ENBL	18 AWG	GXL	X451A (A)
14	N/A	SNSR SHLD	12 AWG	BRAID	X550 (1)
15	N/A	SNSR SHLD	12 AWG	BRAID	X447 (1)

CO2-J5					
CONN POS	WIRE COLOR	WIRE LABEL	GAUGE	JACKET	TO
1	WHT	3-6 LIFT UP	18 AWG	GXL	S500 (1)
2	WHT	3-7 LIFT DN	18 AWG	GXL	HV395 (1)
3	WHT	13-7 TELE FCNTROL	18 AWG	GXL	S473 (1)
4	WHT	6-1 DECOMP VLV	18 AWG	GXL	HV439 (1)
5	WHT	13-4 TELE IN	18 AWG	GXL	S474 (1)
6	WHT	13-3 TELE OUT	18 AWG	GXL	HV397 (1)
9	YEL	2-17	18 AWG	GXL	SN411 (1)
12	BLK	0-31	18 AWG	GXL	HV394 (2)

Figure 7-127. Ultra Boom Control Box Harness - Sheet 8 of 9

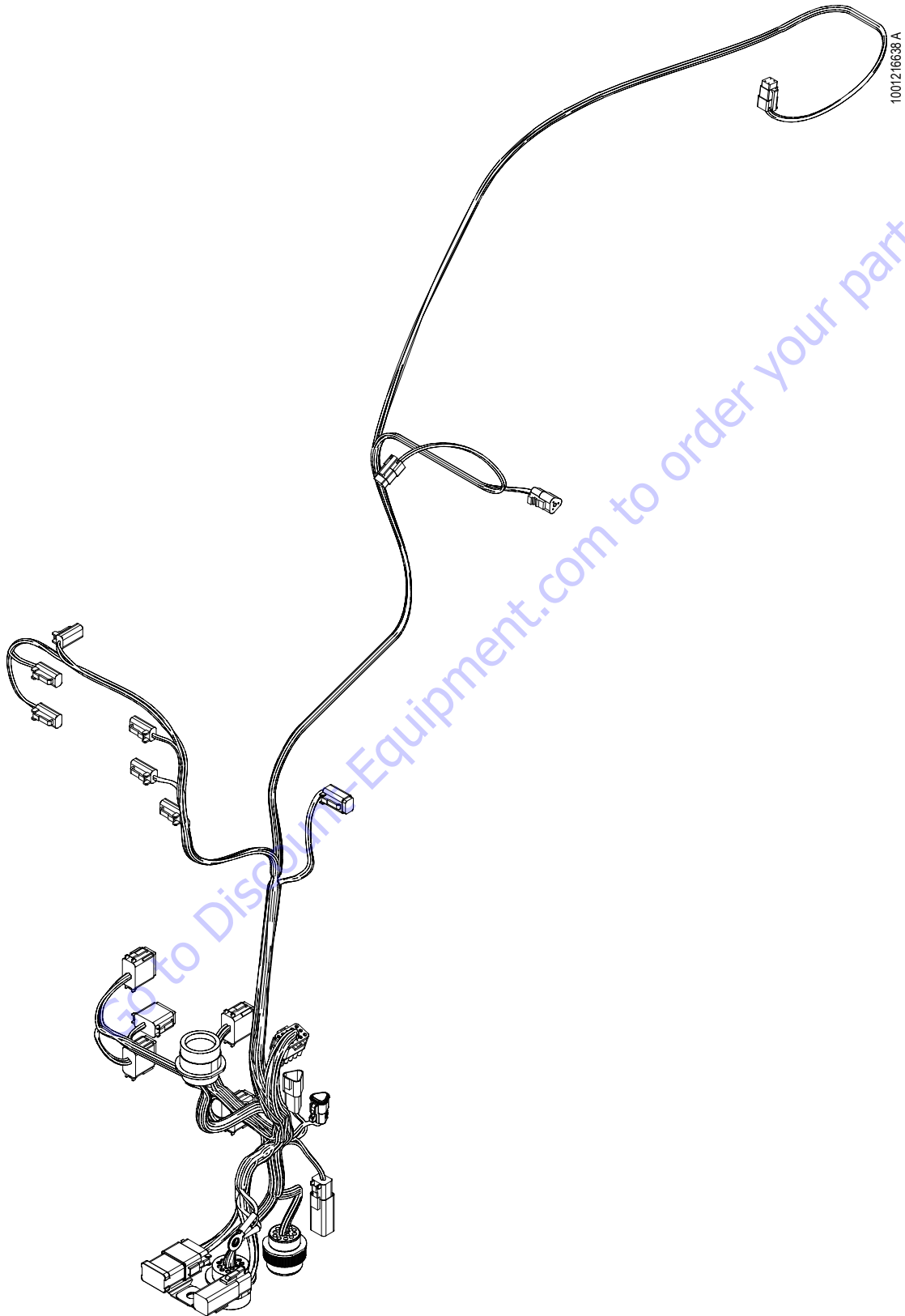


Figure 7-128. Ultra Boom Control Box Harness - Sheet 9 of 9

SN413 (STRING POT #2)					
CONN POS	WIRE COLOR	WIRE LABEL	GAUGE	JACKET	TO
A	RED	183 1060981	18 AWG	CABLE	X450B (A)
B	BLK	183 1060981	18 AWG	CABLE	X450B (B)
C	BLU	183 1060981	18 AWG	CABLE	X450B (C)
NC	SHLD	183 1060981	18 AWG	CABLE	X551 (1)

SN410 (BRKN CBLE #2)					
CONN POS	WIRE COLOR	WIRE LABEL	GAUGE	JACKET	TO
1	YEL	183 1060982	18 AWG	CABLE	X444A (A)
2	ORG	183 1060982	18 AWG	CABLE	X444A (C)
3	BLK	183 1060982	18 AWG	CABLE	X444A (B)

X450B					
CONN POS	WIRE COLOR	WIRE LABEL	GAUGE	JACKET	TO
A	RED	183 1060981	18 AWG	CABLE	SN413 (A)
B	BLK	183 1060981	18 AWG	CABLE	SN413 (B)
C	BLU	183 1060981	18 AWG	CABLE	SN413 (C)

X444A					
CONN POS	WIRE COLOR	WIRE LABEL	GAUGE	JACKET	TO
A	YEL	183 1060982	18 AWG	CABLE	SN410 (1)
B	BLK	183 1060982	18 AWG	CABLE	SN410 (3)
C	ORG	183 1060982	18 AWG	CABLE	SN410 (2)

X551					
CONN POS	WIRE COLOR	WIRE LABEL	GAUGE	JACKET	TO
1	shld	183 1060981	18 AWG	CABLE	SN413 (NC)

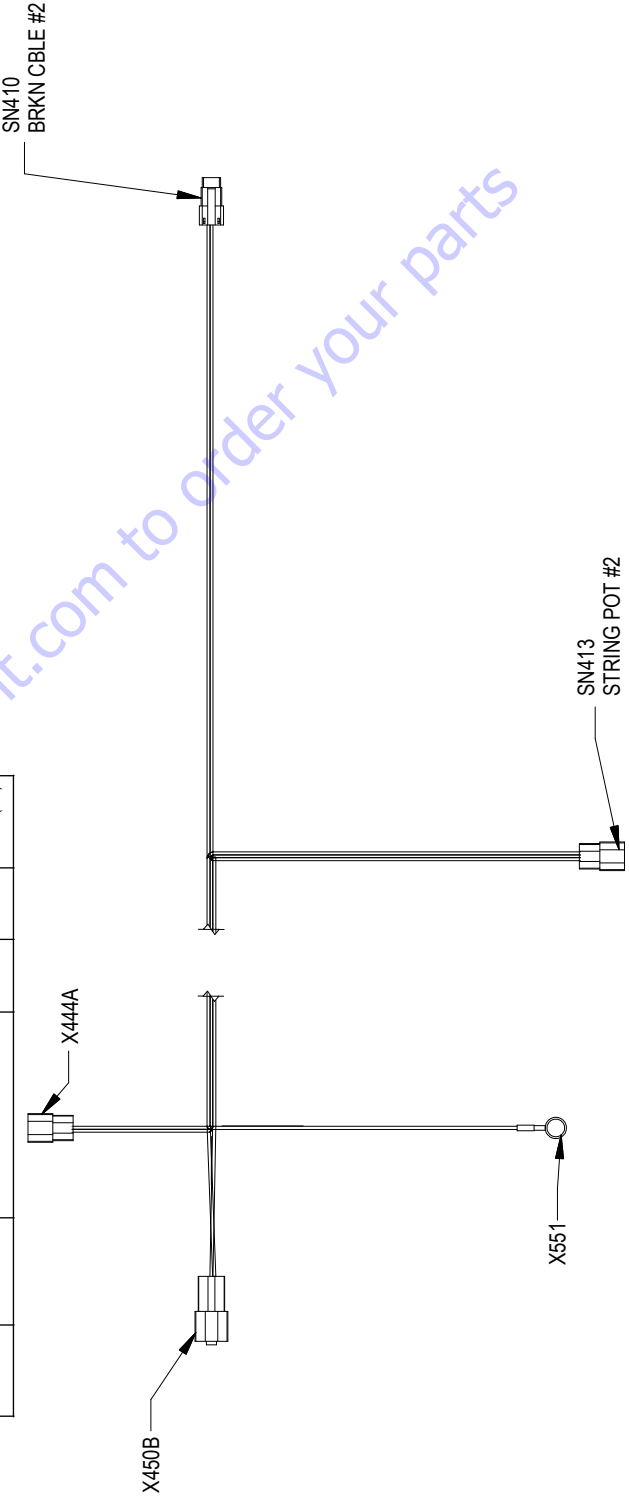


Figure 7-129. Main Boom Sensor Cable

SECTION 7 - BASIC ELECTRICAL INFORMATION & ELECTRICAL SCHEMATICS

X452A					
CONN POS	WIRE COLOR	WIRE LABEL	GAUGE	JACKET	TO
1	YEL	188 - 1060616	18 AWG	CABLE	X451B (A)
2	BRN	188 - 1060616	18 AWG	CABLE	X451B (B)
3	ORG	188 - 1060616	18 AWG	CABLE	X451B (C)
4	BLU	188 - 1060616	18 AWG	CABLE	X451B (D)
5	RED	188 - 1060616	18 AWG	CABLE	X451B (E)
6	BLK	188 - 1060616	18 AWG	CABLE	X451B (F)
7	RED/BLK	188 - 1060616	18 AWG	CABLE	X451B (G)
8	BLU/BLK	188 - 1060616	18 AWG	CABLE	X451B (H)

X373B					
CONN POS	WIRE COLOR	WIRE LABEL	GAUGE	JACKET	TO
1	RED	124 - 1060515	12 AWG	CABLE	X451B (P)
2	ORG	124 - 1060515	12 AWG	CABLE	X451B (N)
3	BLU	124 - 1060515	12 AWG	CABLE	X451B (M)
4	BLK	124 - 1060515	12 AWG	CABLE	X451B (L)

X451B					
CONN POS	WIRE COLOR	WIRE LABEL	GAUGE	JACKET	TO
A	YEL	188 - 1060616	18 AWG	CABLE	X452 (1)
B	BRN	188 - 1060616	20 AWG	CABLE	X452 (2)
C	ORG	188 - 1060616	18 AWG	CABLE	X452A (3)
D	BLU	188 - 1060616	18 AWG	CABLE	X452A (4)
E	RED	188 - 1060616	18 AWG	CABLE	X452A (5)
F	BLK	188 - 1060616	18 AWG	CABLE	X452A (6)
G	RED/BLK	188 - 1060616	18 AWG	CABLE	X452A (7)
H	BLU/BLK	188 - 1060616	18 AWG	CABLE	X452A (8)
L	BLK	124 - 1060515	12 AWG	CABLE	X373B (4)
M	BLU	124 - 1060515	12 AWG	CABLE	X373B (3)
N	ORG	124 - 1060515	12 AWG	CABLE	X373B (2)
P	RED	124 - 1060515	12 AWG	CABLE	X373B (1)



1001202785 C

Figure 7-130. Secondary Main Control Cable

X539 (JIB STOW SW)				
CONN POS	WIRE COLOR	WIRE LABEL	GAUGE	TO
1	BLK	CABLE # 4923466	18 AWG	X525B (4)

X540 (JIB ENABLE SW)				
CONN POS	WIRE COLOR	WIRE LABEL	GAUGE	TO
1	BLU	CABLE # 1060981	18 AWG	X525B (3)

X538 (JIB STOW SW)				
CONN POS	WIRE COLOR	WIRE LABEL	GAUGE	TO
1	WHT	CABLE # 4923466	18 AWG	X525B (5)

X541 (JIB ENABLE SW)				
CONN POS	WIRE COLOR	WIRE LABEL	GAUGE	TO
1	BLK	CABLE # 1060981	18 AWG	X525B (2)

X542 (JIB ENABLE SW)				
CONN POS	WIRE COLOR	WIRE LABEL	GAUGE	TO
1	RED	CABLE # 1060981	18 AWG	X525B (1)

X525B				
CONN POS	WIRE COLOR	WIRE LABEL	GAUGE	TO
1	RED	CABLE # 1060981	18 AWG	X542 (1)
2	BLK	CABLE # 1060981	18 AWG	X541 (1)
3	BLU	CABLE # 1060981	18 AWG	X540 (1)
4	BLK	CABLE # 4923466	18 AWG	X539 (1)
5	WHT	CABLE # 4923466	18 AWG	X538 (1)

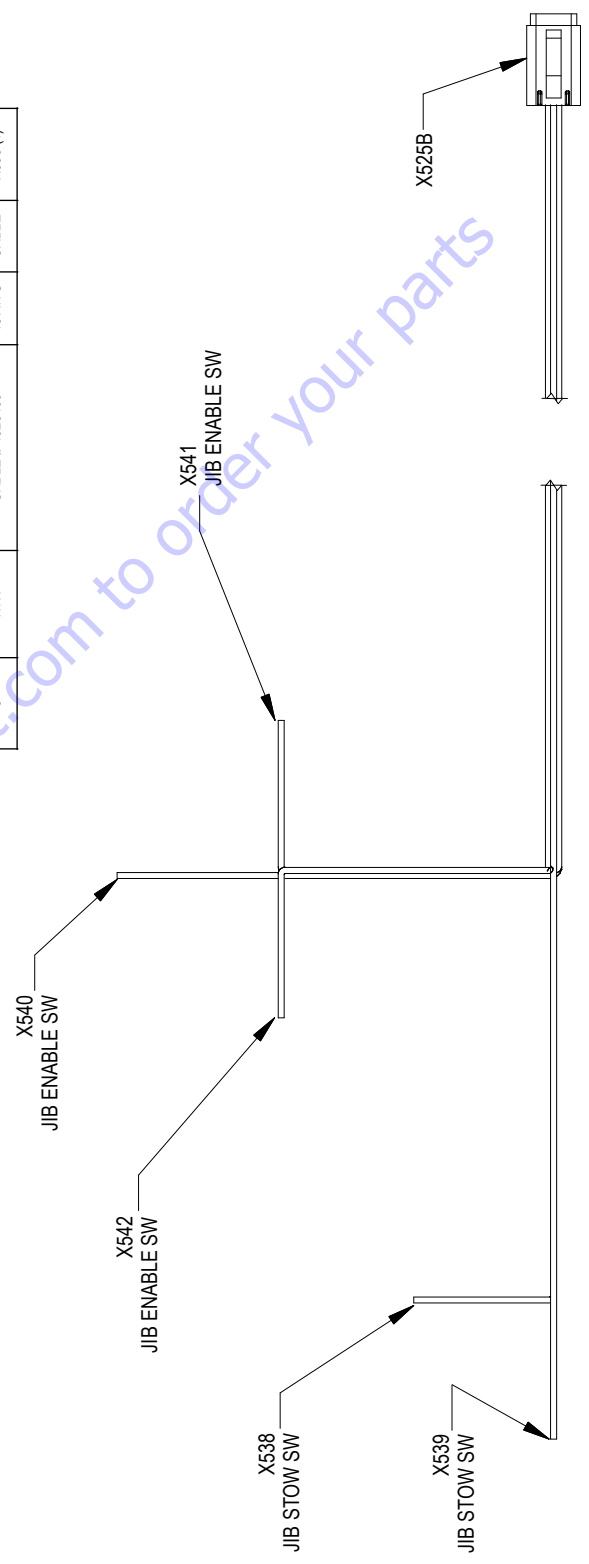
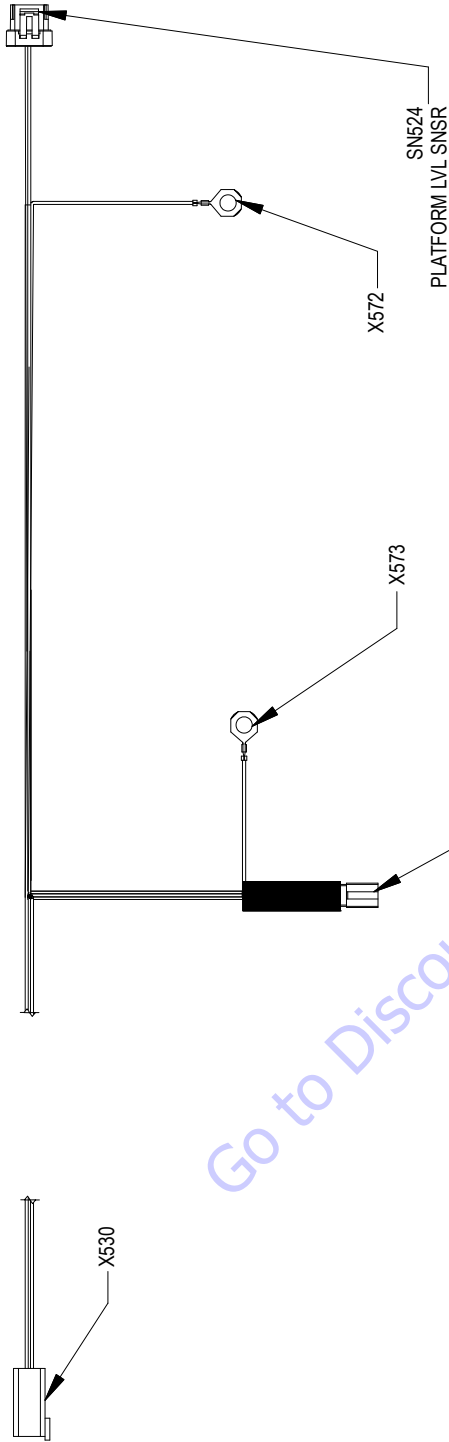


Figure 7-131. Jib Limit Switches Harness



SN148
PLATFORM GRAVITY SENSOR

X573

SN524
PLATFORM LVL SNSR

X572

SN524					
CONN POS	WIRE COLOR	WIRE LABEL	GAUGE	JACKET	TO
C	YEL	CABLE # 1060982	18 AWG	CABLE	X530 (2)
E	BLK	CABLE # 1060982	18 AWG	CABLE	X530 (3)
F	ORG	CABLE # 1060982	18 AWG	CABLE	X530 (1)

SN148					
CONN POS	WIRE COLOR	WIRE LABEL	GAUGE	JACKET	TO
1	RED	CABLE # 1060981	18 AWG	CABLE	X530 (4)
2	BLU	CABLE # 1060981	18 AWG	CABLE	X530 (5)
3	BLK	CABLE # 1060981	18 AWG	CABLE	X530 (6)

X530					
CONN POS	WIRE COLOR	WIRE LABEL	GAUGE	JACKET	TO
1	ORG	CABLE # 1060982	18 AWG	CABLE	SN524 (F)
2	YEL	CABLE # 1060982	18 AWG	CABLE	SN524 (C)
3	BLK	CABLE # 1060982	18 AWG	CABLE	SN524 (E)
4	RED	CABLE # 1060981	18 AWG	CABLE	SN148 (1)
5	BLU	CABLE # 1060981	18 AWG	CABLE	SN148 (2)
6	BLK	CABLE # 1060981	18 AWG	CABLE	SN148 (3)
NC	SHLD	CABLE # 1060981	18 AWG	CABLE	X573 (1)
NCI	SHLD	CABLE # 1060982	18 AWG	CABLE	X572 (1)

X573					
CONN POS	WIRE COLOR	WIRE LABEL	GAUGE	JACKET	TO
1	SHLD	CABLE # 1060981	18 AWG	CABLE	X530 (NC)

X572					
CONN POS	WIRE COLOR	WIRE LABEL	GAUGE	JACKET	TO
1	SHLD	CABLE # 1060982	18 AWG	CABLE	X530 (NCI)

1001204028 B

Figure 7-132. Platform Level Sensors Harness

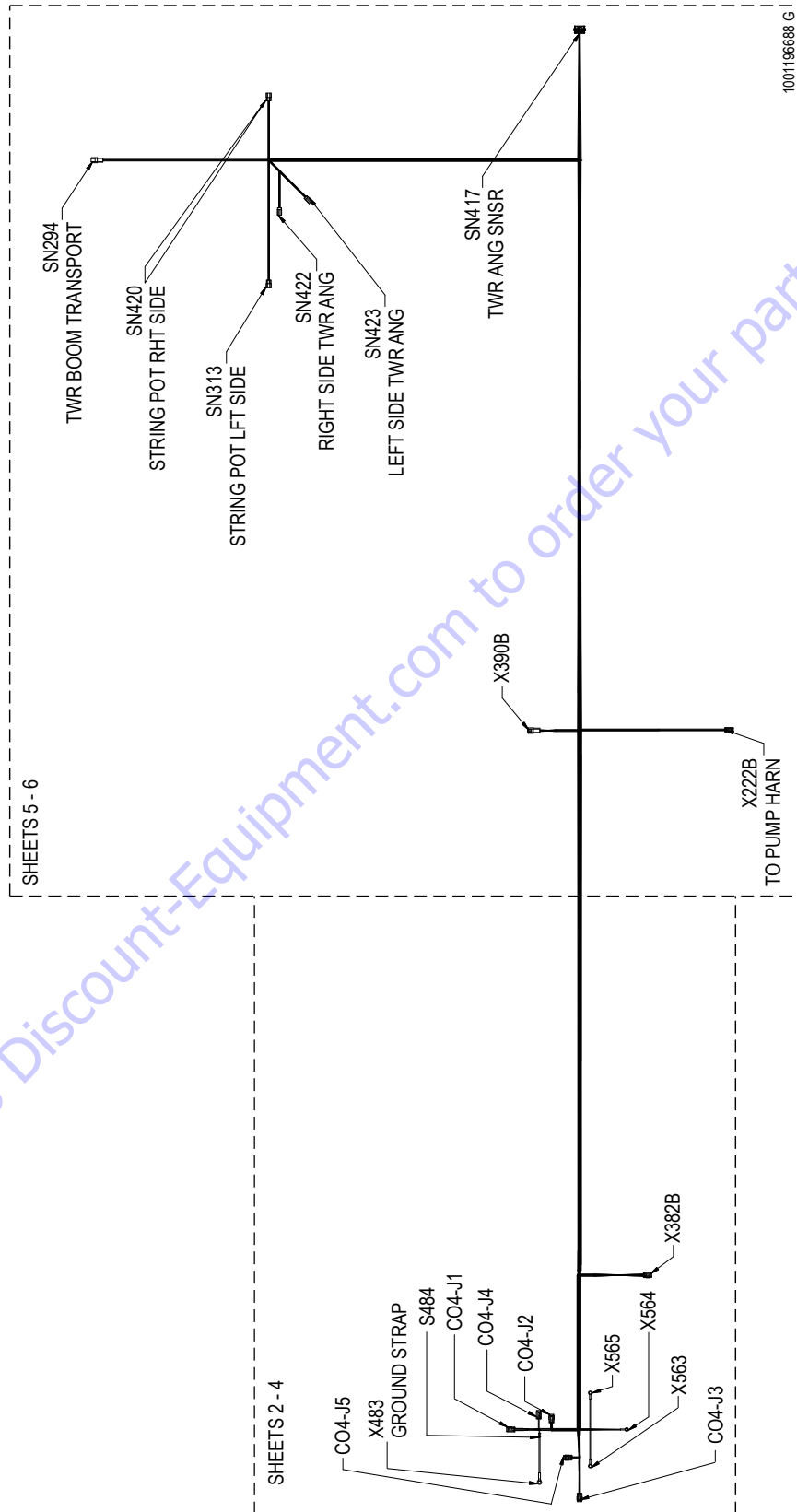
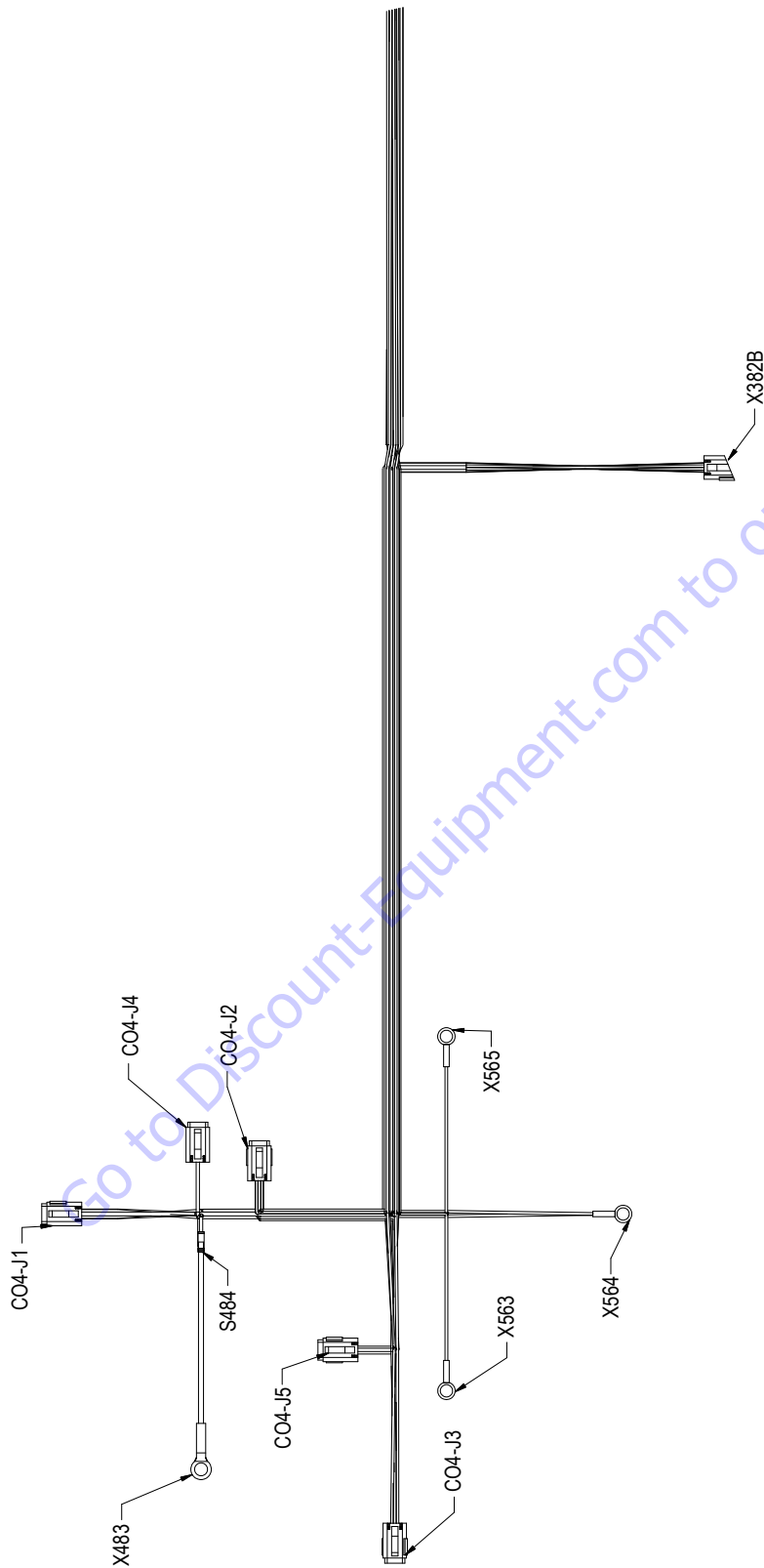


Figure 7-133. BLAM Harness - Sheet 1 of 6



1001196688 G

Figure 7-134. BLAM Harness - Sheet 2 of 6

SECTION 7 - BASIC ELECTRICAL INFORMATION & ELECTRICAL SCHEMATICS

CO4-J3					
CONN POS	WIRE COLOR	WIRE LABEL	GAUGE	JACKET	TO
1	WHT	5V REF	18 AWG	GXL	CO4-J3 (2)
2	WHT	5V REF	18 AWG	GXL	CO4-J3 (1)
3	BLK	18/3 - 1060982	18 AWG	CABLE	SN313 (B)
4	YEL	18/3 - 1060982	18 AWG	CABLE	SN313 (A)
7	RED	18/3 - 1060981	18 AWG	CABLE	SN420 (A)
8	BLU	18/3 - 1060981	18 AWG	CABLE	SN420 (C)
9	BLK	18/3 - 1060981	18 AWG	CABLE	SN420 (B)
11	ORG	18/3 - 1060982	18 AWG	CABLE	SN313 (C)

X563					
CONN POS	WIRE COLOR	WIRE LABEL	GAUGE	JACKET	TO
1	SHLD	18/3 - 1060981	18 AWG	CABLE	SN420 (NC)
1	SHLD	18/3 - 1060982	18 AWG	CABLE	SN313 (NC)

X564					
CONN POS	WIRE COLOR	WIRE LABEL	GAUGE	JACKET	TO
1	SHLD	18/3 - 1060981	18 AWG	CABLE	SN422 (NC)
1	SHLD	18/3 - 1060982	18 AWG	CABLE	SN423 (NC)

X565					
CONN POS	WIRE COLOR	WIRE LABEL	GAUGE	JACKET	TO
1	SHLD	18/3 - 1060981	18 AWG	CABLE	SN417 (NC)
1	SHLD	18/3 - 1060982	18 AWG	CABLE	SN417 (NC)

X382B					
CONN POS	WIRE COLOR	WIRE LABEL	GAUGE	JACKET	TO
1	YEL	2-0-3	14 AWG	GXL	CO4-J1 (5)
2	BLK	0-76	14 AWG	GXL	CO4-J1 (4)
3	YEL	CN H CH I	18 AWG	GXL	CO4-J1 (6)
4	GRN	CN L CH I	18 AWG	GXL	CO4-J1 (7)
5	WHT	23-5 PLTFM RHT	18 AWG	GXL	CO4-J2 (5)
6	WHT	23-6 PLTFM LFT	18 AWG	GXL	CO4-J2 (6)
7	BLK	18/3 - 1060982	18 AWG	CABLE	SN417 (4)
8	ORG	18/3 - 1060982	18 AWG	CABLE	SN417 (6)
9	YEL	18/3 - 1060982	18 AWG	CABLE	SN417 (5)
10	RED	18/3 - 1060981	18 AWG	CABLE	SN417 (2)
11	BLU	18/3 - 1060981	18 AWG	CABLE	SN417 (3)
12	BLK	18/3 - 1060981	18 AWG	CABLE	SN417 (1)

Figure 7-135. BLAM Harness - Sheet 3 of 6

SECTION 7 - BASIC ELECTRICAL INFORMATION & ELECTRICAL SCHEMATICS

CO4-J2					
CONN POS	WIRE COLOR	WIRE LABEL	GAUGE	JACKET	TO
1	YEL	18/3 - 1060982	18 AWG	CABLE	SN423 (1)
2	BLK	18/3 - 1060982	18 AWG	CABLE	SN423 (3)
3	BLK	18/3 - 1060981	18 AWG	CABLE	SN422 (3)
5	WHT	23-5 PLTFM RHT	18 AWG	GXL	X382B (5)
6	WHT	23-6 PLTFM LFT	18 AWG	GXL	X382B (6)
8	BLU	18/3 - 1060981	18 AWG	CABLE	SN422 (2)
9	ORG	18/3 - 1060981	18 AWG	CABLE	SN422 (2)
11	WHT	7-4 RHT DRV FWD	18 AWG	GXL	X222B (1)
12	WHT	7-3 RHT DRV REV	18 AWG	GXL	X222B (2)

CO4-J1					
CONN POS	WIRE COLOR	WIRE LABEL	GAUGE	JACKET	TO
1	YEL	IGN JUMP	18 AWG	GXL	CO4-J1 (11)
2	BLK	GND JUMP	18 AWG	GXL	CO4-J1 (12)
4	BLK	0-76	14 AWG	GXL	X382B (2)
5	YEL	2-0-3	14 AWG	GXL	X382B (1)
6	YEL	CN H CH I	18 AWG	GXL	X382B (3)
7	GRN	CN L CH I	18 AWG	GXL	X382B (4)
11	YEL	IGN JUMP	18 AWG	GXL	CO4-J1 (1)
12	BLK	GND JUMP	18 AWG	GXL	CO4-J1 (2)

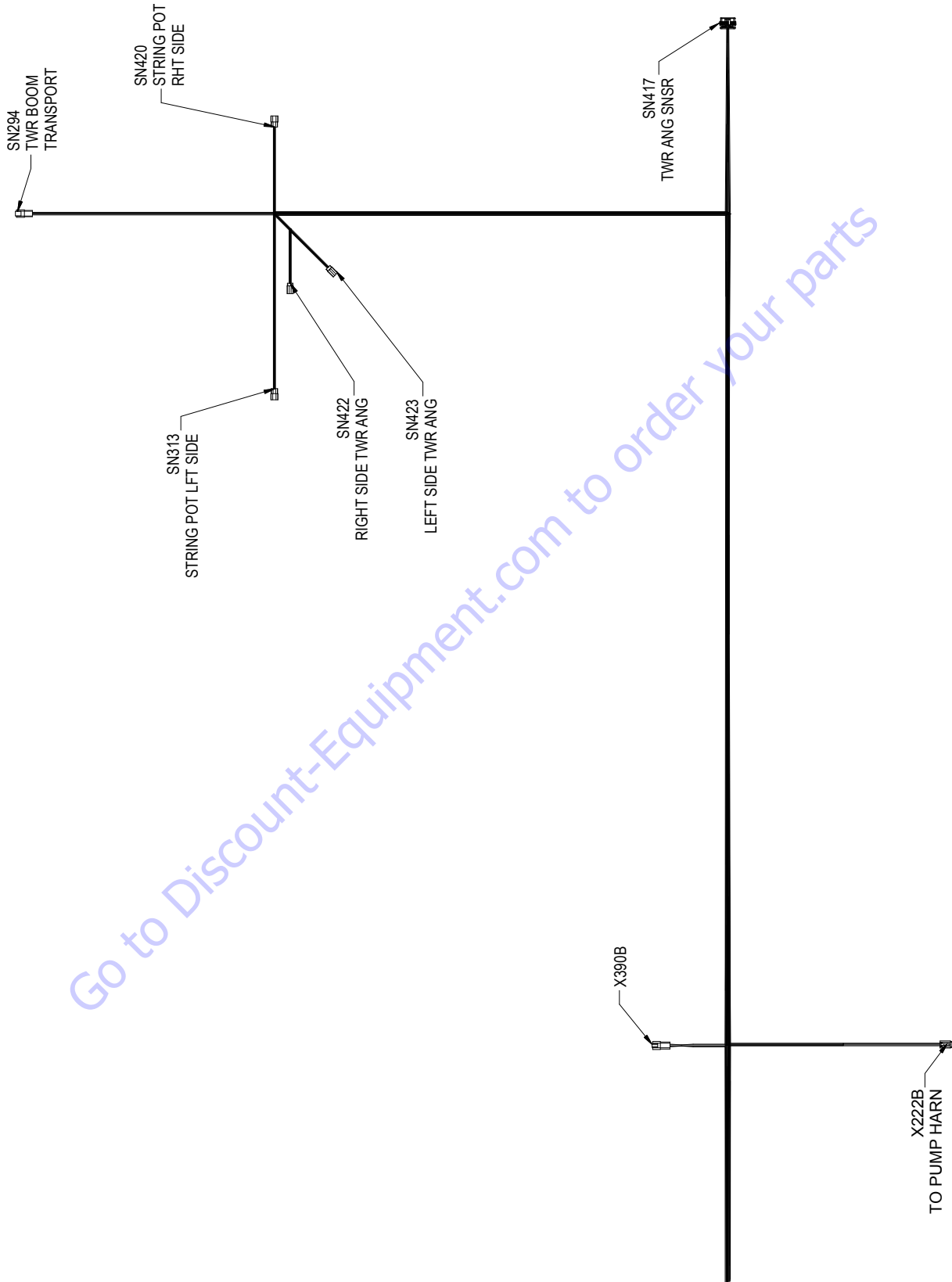
CO4-J4					
CONN POS	WIRE COLOR	WIRE LABEL	GAUGE	JACKET	TO
2	BLK	CHASSIS GND	16 AWG	GXL	S484 (1)
8	BLK	CHASSIS GND	16 AWG	GXL	S484 (1)

S484					
CONN POS	WIRE COLOR	WIRE LABEL	GAUGE	JACKET	TO
1	BLK	CHASSIS GND	16 AWG	GXL	CO4-J4 (2)
1	BLK	CHASSIS GND	16 AWG	GXL	CO4-J4 (8)
2	N/A	CHASSIS GND	12 AWG	BRAID	X483 (1)

X483 (GROUND STRAP)					
CONN POS	WIRE COLOR	WIRE LABEL	GAUGE	JACKET	TO
1	N/A	CHASSIS GND	12 AWG	BRAID	S484 (2)

CO4-J5					
CONN POS	WIRE COLOR	WIRE LABEL	GAUGE	JACKET	TO
1	WHT	7-1 LFT DRV FWD	18 AWG	GXL	X222B (6)
2	WHT	7-2 LFT DRV REV	18 AWG	GXL	X222B (5)
9	RED	18/3 - 1060981	18 AWG	CABLE	SN422 (1)
12	BLK	0-15	18 AWG	GXL	X222B (3)

Figure 7-136. BLAM Harness - Sheet 4 of 6



Go to Discount-Equipment.com to order your parts

1001196688 G

Figure 7-137. BLAM Harness - Sheet 5 of 6

SECTION 7 - BASIC ELECTRICAL INFORMATION & ELECTRICAL SCHEMATICS

X222B (TO PUMP HARN)					
CONN POS	WIRE COLOR	WIRE LABEL	GAUGE	JACKET	TO
1	WHT	7-4 RHT DRV FWD	18 AWG	GXL	CO4-J2 (11)
2	WHT	7-3 RHT DRV REV	18 AWG	GXL	CO4-J2 (12)
3	BLK	0-15	18 AWG	GXL	CO4-J5 (12)
5	WHT	7-2 LFT DRV REV	18 AWG	GXL	CO4-J5 (1)
6	WHT	7-1 LFT DRV FWD	18 AWG	GXL	CO4-J5 (1)

SN294 (TWR BOOM TRANSPORT)					
CONN POS	WIRE COLOR	WIRE LABEL	GAUGE	JACKET	TO
1	YEL	2-14	18 AWG	GXL	X390B (1)
2	WHT	49-53 TB T NC	18 AWG	GXL	X390B (3)
3	BLK	0-48	18 AWG	GXL	X390B (2)
4	WHT	49-54 TB T NO	18 AWG	GXL	X390B (4)

X390B					
CONN POS	WIRE COLOR	WIRE LABEL	GAUGE	JACKET	TO
1	YEL	2-14	18 AWG	GXL	SN294 (1)
2	BLK	0-48	18 AWG	GXL	SN294 (3)
3	WHT	49-53 TB T NC	18 AWG	GXL	SN294 (2)
4	WHT	49-54 TB T NO	18 AWG	GXL	SN294 (4)

SN420 (STRING POT RHT SIDE)					
CONN POS	WIRE COLOR	WIRE LABEL	GAUGE	JACKET	TO
A	RED	18/3 - 1060981	18 AWG	CABLE	CO4-J3 (7)
B	BLK	18/3 - 1060981	18 AWG	CABLE	CO4-J3 (9)
C	BLU	18/3 - 1060981	18 AWG	CABLE	CO4-J3 (8)
NC	SHLD	18/3 - 1060981	18 AWG	CABLE	X563 (1)

SN423 (LEFT SIDE TWR ANG)					
CONN POS	WIRE COLOR	WIRE LABEL	GAUGE	JACKET	TO
1	YEL	18/3 - 1060982	18 AWG	CABLE	CO4-J2 (1)
2	ORG	18/3 - 1060982	18 AWG	CABLE	CO4-J2 (9)
3	BLK	18/3 - 1060982	18 AWG	CABLE	X564 (1)

SN417 (TWR ANG SNSR)					
CONN POS	WIRE COLOR	WIRE LABEL	GAUGE	JACKET	TO
1	BLK	18/3 - 1060981	18 AWG	CABLE	X382B (12)
2	RED	18/3 - 1060981	18 AWG	CABLE	X382B (10)
3	BLU	18/3 - 1060981	18 AWG	CABLE	X382 (11)
4	BLK	18/3 - 1060982	18 AWG	CABLE	X382B (7)
5	YEL	18/3 - 1060982	18 AWG	CABLE	X382B (9)
6	ORG	18/3 - 1060982	18 AWG	CABLE	X382B (8)
NC	SHLD	18/3 - 1060981	18 AWG	CABLE	X565 (1)
NC	SHLD	18/3 - 1060981	18 AWG	CABLE	X565 (1)

SN422 (RIGHT SIDE TWR ANG)					
CONN POS	WIRE COLOR	WIRE LABEL	GAUGE	JACKET	TO
1	RED	18/3 - 1060981	18 AWG	CABLE	CO4-J5 (9)
2	BLU	18/3 - 1060981	18 AWG	CABLE	CO4-J3 (8)
3	BLK	18/3 - 1060981	18 AWG	CABLE	CO4-J3 (3)
NC	SHLD	18/3 - 1060981	18 AWG	CABLE	X564 (1)

SN313 (STRING POT LFT SIDE)					
CONN POS	WIRE COLOR	WIRE LABEL	GAUGE	JACKET	TO
A	YEL	18/3 - 1060982	18 AWG	CABLE	CO4-J3 (4)
B	BLK	18/3 - 1060982	18 AWG	CABLE	CO4-J3 (3)
C	ORG	18/3 - 1060982	18 AWG	CABLE	CO4-J3 (11)
NC	SHLD	18/3 - 1060982	18 AWG	CABLE	X563 (1)

Figure 7-138. BLAM Harness - Sheet 6 of 6

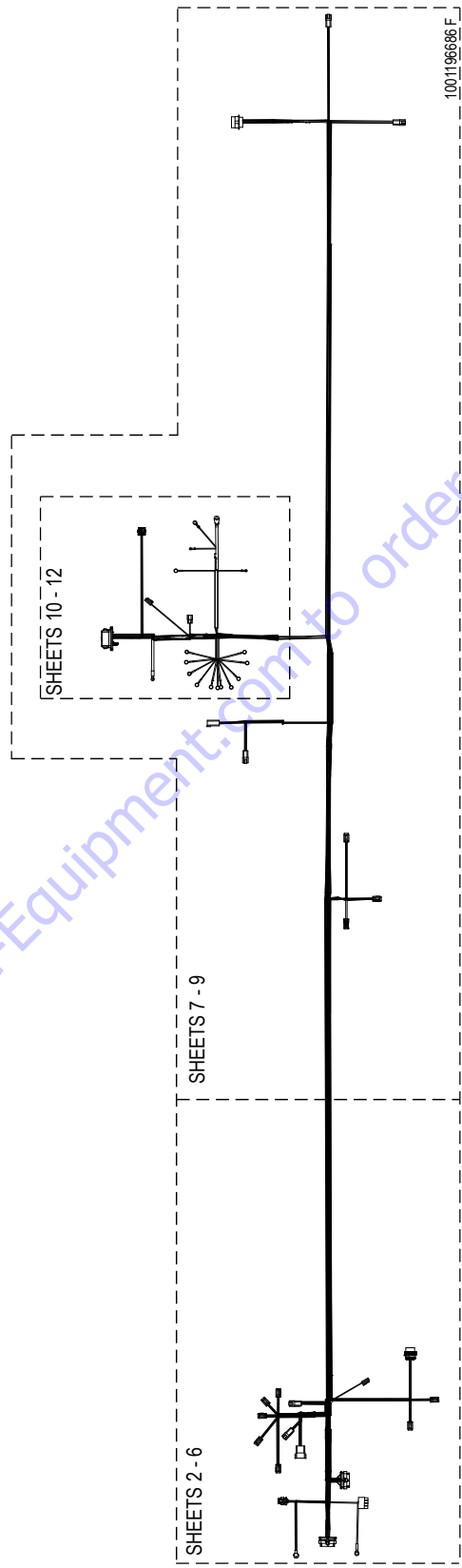
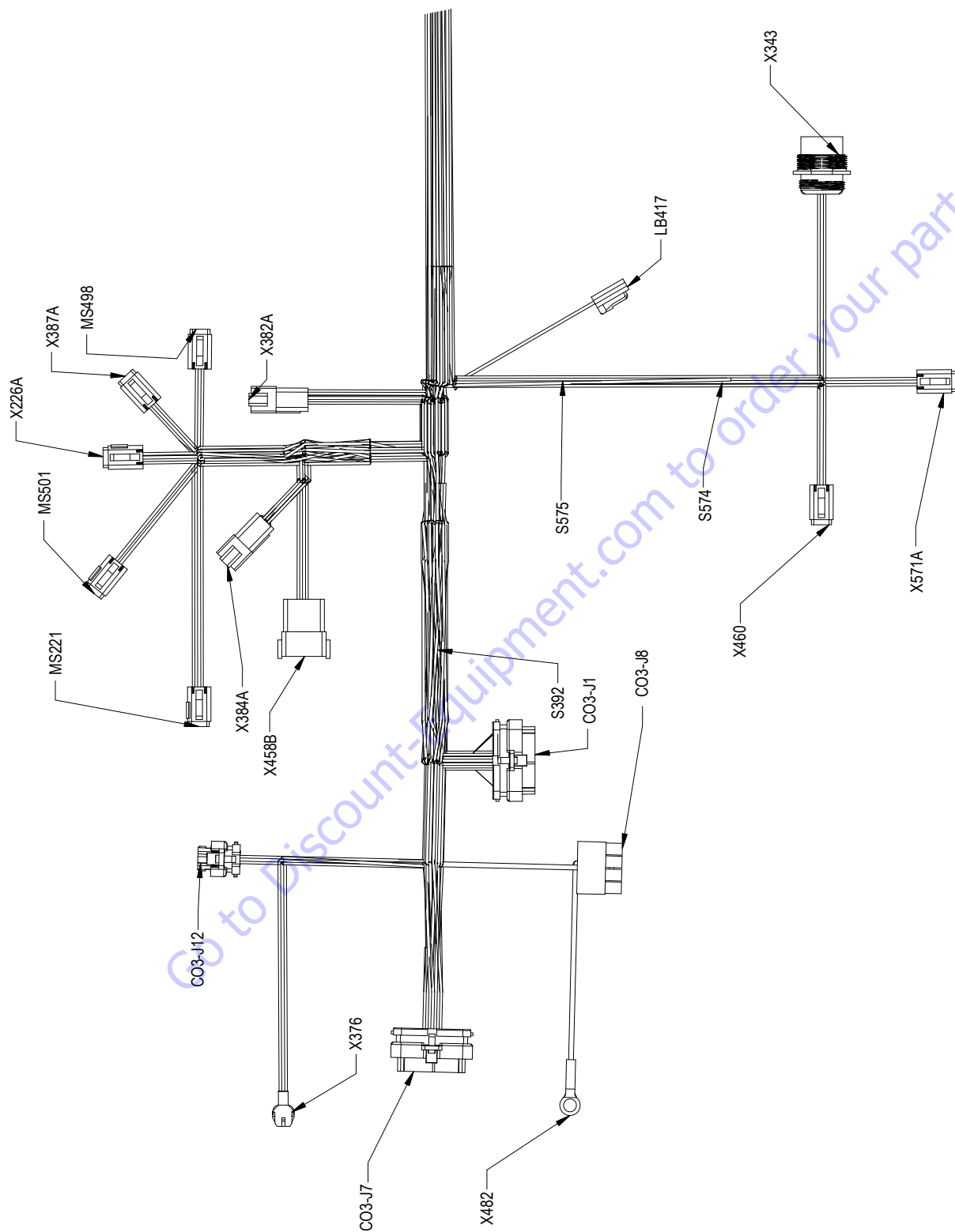


Figure 7-139. Turntable Harness - Sheet 1 of 13



100196686 F

Figure 7-140. Turntable Harness - Sheet 2 of 13

SECTION 7 - BASIC ELECTRICAL INFORMATION & ELECTRICAL SCHEMATICS

CO3-J7 (BLACK)					
CONN POS	WIRE COLOR	WIRE LABEL	GAUGE	JACKET	TO
1	YEL	2-4-3	18 AWG	GXL	S360 (2)
2	YEL	2-4-2	18 AWG	GXL	S360 (2)
3	RED	1-5	18 AWG	GXL	X226A (2)
4	WHT	49-57 TWR DN PRS 1	18 AWG	GXL	X458B (3)
5	WHT	49-84 SNSR SUP	18 AWG	GXL	X458B (4)
7	WHT	49-55 PRS RED CHK	18 AWG	GXL	X458B (10)
8	WHT	49-82 TWR PRS 1	18 AWG	GXL	X458B (6)
9	BLK	0-64	18 AWG	GXL	X458B (2)
10	BLK	0-63	18 AWG	GXL	X458B (11)
11	WHT	49-53 TB T NC	18 AWG	GXL	X390A (3)
13	YEL	CN H CH I	18 AWG	GXL	MS221 (11)
14	YEL	2-5	18 AWG	GXL	X163B (11)
15	WHT	34-1 FT SW TO UGM	18 AWG	GXL	X163B (6)
16	WHT	49-58 SNSR SUP	18 AWG	GXL	X458B (1)
18	BLK	0-61	18 AWG	GXL	X383 (2)
19	BLK	0-80	18 AWG	GXL	S575 (1)
20	WHT	49-66 TWR TELE PRS	18 AWG	GXL	X384A (2)
21	WHT	49-52 MB T NO	18 AWG	GXL	X452B (4)
22	WHT	49-51 MB T NC	18 AWG	GXL	X452B (8)
23	WHT	105 GROUND ENABLE	18 AWG	GXL	CO3-J7 (30)
24	GRN	CN L CH I	18 AWG	GXL	MS221 (8)
25	BLK	0-60	18 AWG	GXL	X384A (3)
26	WHT	49-56 SNSR SUP	18 AWG	GXL	MS498 (4)
27	WHT	49-67 SNSR SUP	18 AWG	GXL	X384A (1)
29	YEL	2-14	18 AWG	GXL	X390A (1)
30	WHT	105 GROUND ENABLE	18 AWG	GXL	CO3-J7 (23)
31	YEL	2-11	18 AWG	GXL	X383 (1)
32	YEL	2-18	18 AWG	GXL	S574 (1)
35	WHT	49-54 TB T NO	18 AWG	GXL	X390A (4)

CO3-J8 (UGM POWER)					
CONN POS	WIRE COLOR	WIRE LABEL	GAUGE	JACKET	TO
1	BLK	0-77	12 AWG	GXL	X456 (1)
2	YEL	2-0-2	12 AWG	GXL	FC354 (A2)
3	N/A	CHASSIS GND	12 AWG	BRAID	X482 (1)

X482					
CONN POS	WIRE COLOR	WIRE LABEL	GAUGE	JACKET	TO
1	N/A	CHASSIS GND	12 AWG	BRAID	CO3-J8 (3)

CO3-J1 (WHITE)					
CONN POS	WIRE COLOR	WIRE LABEL	GAUGE	JACKET	TO
1	WHT	55-7 TWR LIFT ENBL	18 AWG	GXL	X384A (4)
2	WHT	49-83 BAT CONTACT	18 AWG	GXL	RL596 (1)
4	BLK	0-48	18 AWG	GXL	X390A (2)
6	WHT	55-8 TWR TELE ENBL	18 AWG	GXL	X384A (8)
7	WHT	3-7-1 LIFT DN O/R	18 AWG	GXL	X452B (5)
8	BLK	0-17	16 AWG	GXL	X217A (2)
9	BLK	0-18	18 AWG	GXL	X217A (6)
10	WHT	4A SPARE OUTPUT	18 AWG	GXL	X217A (4)
11	WHT	148-35-2 STRT REQ	18 AWG	GXL	X218A (2)
12	WHT	13-4-1 TELE IN O/R	18 AWG	GXL	X452B (6)
13	WHT	53-3 AUX PUMP	18 AWG	GXL	RL433-85 (1)
14	WHT	49-80 TWR PRS 2	18 AWG	GXL	X458B (8)
15	WHT	49-91 ENG BAT DIAG	18 AWG	GXL	X533 (2)
16	WHT	49-63 TWR CYL ANG I	18 AWG	GXL	X382A (11)
17	BLK	0-65	18 AWG	GXL	X458B (7)
18	BLK	0-66	18 AWG	GXL	X458B (5)
20	WHT	17-1 LOAD CUT VLV	18 AWG	GXL	X458B (12)
22	WHT	52-9 GEN	18 AWG	GXL	X217A (3)
23	WHT	55-14 BRAKE	18 AWG	GXL	X147A (7)
27	BLK	0-67	18 AWG	GXL	X382A (7)
28	YEL	2-10	18 AWG	GXL	X376 (1)
29	WHT	49-35 A-RX	18 AWG	GXL	X376 (2)
30	WHT	49-36 A-TX	18 AWG	GXL	X376 (3)
31	BLK	0-10	18 AWG	GXL	X376 (4)
32	WHT	47-6 ALT EXC	18 AWG	GXL	S392 (2)
33	BLK	0-50	18 AWG	GXL	X382A (12)

S392					
CONN POS	WIRE COLOR	WIRE LABEL	GAUGE	JACKET	TO
1	WHT	47-6-1 ALT EXC	18 AWG	GXL	X218A (5)
1	WHT	47-6-2 ALT EXC	18 AWG	GXL	X384A (12)
2	WHT	47-6 ALT EXC	18 AWG	GXL	CO3-J1 (32)

Figure 7-141. Turntable Harness - Sheet 3 of 13

SECTION 7 - BASIC ELECTRICAL INFORMATION & ELECTRICAL SCHEMATICS

S575					
CONN POS	WIRE COLOR	WIRE LABEL	GAUGE	JACKET	TO
1	BLK	0-80	18 AWG	GXL	CO3-J7 (19)
2	BLK	0-80-1	18 AWG	GXL	X571A (3)
2	BLK	0-80-2	18 AWG	GXL	X571A (4)

S574					
CONN POS	WIRE COLOR	WIRE LABEL	GAUGE	JACKET	TO
1	YEL	2-18	18 AWG	GXL	CO3-J7 (32)
2	YEL	2-18-1	18 AWG	GXL	X571A (1)
2	YEL	2-18-2	18 AWG	GXL	X571A (2)

X460 (UNIVERSAL TELEMATICS)					
CONN POS	WIRE COLOR	WIRE LABEL	GAUGE	JACKET	TO
1	RED	1-2-4	18 AWG	GXL	FC354 (C4)
2	BLK	0-79	16 AWG	GXL	X453 (1)
3	YEL	2-0-7	18 AWG	GXL	FC354 (A7)
4	RED	1-4-1 PLTFM STAT	18 AWG	GXL	X226A (10)

X571A (OPTIONS)					
CONN POS	WIRE COLOR	WIRE LABEL	GAUGE	JACKET	TO
1	YEL	2-18-1	18 AWG	GXL	S574 (2)
2	YEL	2-18-2	18 AWG	GXL	S574 (2)
3	BLK	0-80-1	18 AWG	GXL	S575 (2)
4	BLK	0-80-2	18 AWG	GXL	S575 (2)
5	YEL	CN H CH I	18 AWG	GXL	MS221 (1)
6	GRN	CN L CH I	18 AWG	GXL	MS221 (4)

X343 (JLG DIAGNOSTICS)					
CONN POS	WIRE COLOR	WIRE LABEL	GAUGE	JACKET	TO
A	BLK	0-70-1	18 AWG	GXL	S399 (1)
B	RED	1-2-1	18 AWG	GXL	FC354 (D1)
C	YEL	CN H CH 2	18 AWG	GXL	MS501 (6)
D	GRN	CN L CH 2	18 AWG	GXL	MS501 (11)
H	YEL	2-0-9	18 AWG	GXL	FC354 (A9)

LB417 (STROBE)					
CONN POS	WIRE COLOR	WIRE LABEL	GAUGE	JACKET	TO
1	YEL	2-0-10	18 AWG	GXL	FC354 (A10)
2	BLK	0-73	18 AWG	GXL	X405 (1)

X382A (TO BLAM HARN)					
CONN POS	WIRE COLOR	WIRE LABEL	GAUGE	JACKET	TO
1	YEL	2-0-3	14 AWG	GXL	FC354 (A3)
2	BLK	0-76	14 AWG	GXL	X408 (1)
3	YEL	CN H CH I	18 AWG	GXL	MS221 (10)
4	GRN	CN L CH I	18 AWG	GXL	MS221 (7)
5	WHT	23-5 PLTFM RHT	18 AWG	GXL	X226A (11)
6	WHT	23-6 PLTFM LFT	18 AWG	GXL	X226A (12)
7	BLK	0-67	18 AWG	GXL	CO3-J1 (27)
8	WHT	49-86 TWR CYL ANG 2	18 AWG	GXL	CO3-J12 (2)
9	WHT	59-56-3 SNSR SUP	18 AWG	GXL	MS498 (1)
10	WHT	49-56-2 SNSR SUP	18 AWG	GXL	MS498 (2)
11	WHT	49-63 TWR CYL ANG 1	18 AWG	GXL	CO3-J1 (16)
12	BLK	0-50	18 AWG	GXL	CO3-J1 (33)

MS498 (5V REF BUSS)					
CONN POS	WIRE COLOR	WIRE LABEL	GAUGE	JACKET	TO
1	WHT	49-56-3 SNSR SUP	18 AWG	GXL	X382A (9)
2	WHT	49-56-2 SNSR SUP	18 AWG	GXL	X382A (10)
3	WHT	49-56-1 SNSR SUP	18 AWG	GXL	X458B (9)
4	WHT	49-56 SNSR SUP	18 AWG	GXL	CO3-J7 (26)

X387A (TO GROUND CONTROL HARNESS)					
CONN POS	WIRE COLOR	WIRE LABEL	GAUGE	JACKET	TO
1	WHT	99-1 MSSO	18 AWG	GXL	CO3-J12 (8)
2	WHT	49-31 MB ANG NC	18 AWG	GXL	X452B (7)
3	WHT	49-30 MB ANG NO	18 AWG	GXL	X452B (3)
4	BLK	0-99	18 AWG	GXL	CO3-J12 (5)

Figure 7-142. Turntable Harness - Sheet 4 of 13

SECTION 7 - BASIC ELECTRICAL INFORMATION & ELECTRICAL SCHEMATICS

X226A (TO GROUND CONTROL HARNESS)					
CONN POS	WIRE COLOR	WIRE LABEL	GAUGE	JACKET	TO
1	RED	1-2-2	16 AWG	GXL	FC354 (D2)
2	RED	1-5	18 AWG	GXL	CO3-J7 (3)
3	RED	1-4	18 AWG	GXL	X163B (5)
4	RED	1-6	18 AWG	GXL	FC354 (C9)
5	YEL	2-0-8	18 AWG	GXL	FC354 (A8)
6	BLK	0-70-2	18 AWG	GXL	S399 (1)
7	GRN	CN L CH 2	18 AWG	GXL	MS501 (3)
8	YEL	CN H CH 2	18 AWG	GXL	MX501 (7)
10	RED	1-4-1 PLTFM STAT	18 AWG	GXL	X460 (4)
11	WHT	23-5 PLTFM RHT	18 AWG	GXL	X382A (5)
12	WHT	23-6 PLTFM LFT	18 AWG	GXL	X382A (6)

MS221 (CAN CHANNEL #1)					
CONN POS	WIRE COLOR	WIRE LABEL	GAUGE	JACKET	TO
1	YEL	CN H CH I	18 AWG	GXL	X571A (5)
2	YEL	CN H CH I	18 AWG	GXL	X163B (3)
3	YEL	CN H CH I	18 AWG	GXL	X147A (1)
4	GRN	CN L CH I	18 AWG	GXL	X571A (6)
5	GRN	CN L CH I	18 AWG	GXL	X163B (2)
6	GRN	CN L CH I	18 AWG	GXL	X147A (2)
7	GRN	CN L CH I	18 AWG	GXL	X382A (4)
8	GRN	CN L CH I	18 AWG	GXL	CO3-J7 (24)
9	GRN	CN L CH I	18 AWG	GXL	X383 (4)
10	YEL	CN H CH I	18 AWG	GXL	X382A (3)
11	YEL	CN H CH I	18 AWG	GXL	CO3-J7 (13)
12	YEL	CN H CH I	18 AWG	GXL	X383 (3)

MS501 (CAN CHANNEL #2)					
CONN POS	WIRE COLOR	WIRE LABEL	GAUGE	JACKET	TO
3	GRN	CN L CH 2	18 AWG	GXL	X226A (7)
4	YEL	CN H CH 2	18 AWG	GXL	CO3-J12 (3)
5	YEL	CN H CH 2	18 AWG	GXL	X218A (3)
6	YEL	CN H CH 2	18 AWG	GXL	X343 (C)
7	YEL	CN H CH 2	18 AWG	GXL	X226A (8)
10	GRN	CN L CH 2	18 AWG	GXL	X218A (4)
11	GRN	CN L CH 2	18 AWG	GXL	X343 (D)
12	GRN	CN L CH 2	18 AWG	GXL	CO3-J12 (4)

X384A (TO HYDRAULIC HARNESS)					
CONN POS	WIRE COLOR	WIRE LABEL	GAUGE	JACKET	TO
1	WHT	49-67 SNSR SUP	18 AWG	GXL	CO3-J7 (27)
2	WHT	49-66 TWR TELE PRS	18 AWG	GXL	CO3-J7 (20)
3	BLK	0-60	18 AWG	GXL	CO3-J7 (25)
4	WHT	55-7 TWR LIFT ENBL	18 AWG	GXL	CO3-J1 (1)
5	WHT	60-8 DN ENBL RTN	18 AWG	GXL	X373A (4)
6	WHT	13-7-1 FCNTRL O/R	18 AWG	GXL	X452B (2)
7	WHT	3-1 DN ENBL	18 AWG	GXL	X452B (1)
8	WHT	55-8 TWR TELE ENBL	18 AWG	GXL	CO3-J1 (6)
9	WHT	25-3-2 LVL UP O/R	18 AWG	GXL	X163B (9)
10	WHT	25-4-2 LVL DN O/R	18 AWG	GXL	X163B (7)
11	WHT	50-2 PLTFM DUMP	16 AWG	GXL	S390 (2)
12	WHT	47-6-2 ALT EXC	18 AWG	GXL	S392 (1)

Figure 7-143. Turntable Harness - Sheet 5 of 13

SECTION 7 - BASIC ELECTRICAL INFORMATION & ELECTRICAL SCHEMATICS

X485B (TO HYDRAULIC HARNESS)					
CONN POS	WIRE COLOR	WIRE LABEL	GAUGE	JACKET	TO
1	WHT	49-58 SNSR SUP	18 AWG	GXL	CO3-J7 (16)
2	BLK	0-64	18 AWG	GXL	CO3-J7 (9)
3	WHT	49-57 TWR DN PRS 1	18 AWG	GXL	CO3-J7 (4)
4	WHT	49-84 SNSR SUP	18 AWG	GXL	CO3-J7 (5)
5	BLK	0-66	18 AWG	GXL	CO3-J1 (18)
6	WHT	49-82 TWR PRS 1	18 AWG	GXL	CO3-J7 (8)
7	BLK	0-65	18 AWG	GXL	CO3-J1 (17)
8	WHT	49-80 TWR PRS 2	18 AWG	GXL	CO3-J1 (14)
9	WHT	49-56-1 SNSR SUP	18 AWG	GXL	MS498 (3)
10	WHT	49-55 PRS RED CHK	18 AWG	GXL	CO3-J7 (7)
11	BLK	0-63	18 AWG	GXL	CO3-J7 (10)
12	WHT	17-1 LOAD CUT VLV	18 AWG	GXL	CO3-J1 (20)

CO3-J12 (BLACK)					
CONN POS	WIRE COLOR	WIRE LABEL	GAUGE	JACKET	TO
2	WHT	49-86 TWR CYL ANG 2	18 AWG	GXL	X382A (8)
3	YEL	CN H CH 2	18 AWG	GXL	MS501 (4)
4	GRN	CN L CH 2	18 AWG	GXL	MS501 (12)
5	BLK	0-99	18 AWG	GXL	X387A (4)
6	WHT	100 CAN TERM	18 AWG	GXL	CO3-J12 (7)
7	WHT	100 CAN TERM	18 AWG	GXL	CO3-J12 (6)
8	WHT	99-1 MSSO	18 AWG	GXL	X387A (1)

X376 (ANALYZER CONNECTION)					
CONN POS	WIRE COLOR	WIRE LABEL	GAUGE	JACKET	TO
1	YEL	2-10	18 AWG	GXL	CO3-J1 (28)
2	WHT	49-35 A-RX	18 AWG	GXL	CO3-J1 (29)
3	WHT	49-36 A-TX	18 AWG	GXL	CO3-J1 (30)
4	BLK	0-10	18 AWG	GXL	CO3-J1 (31)

Figure 7-144. Turntable Harness - Sheet 6 of 13

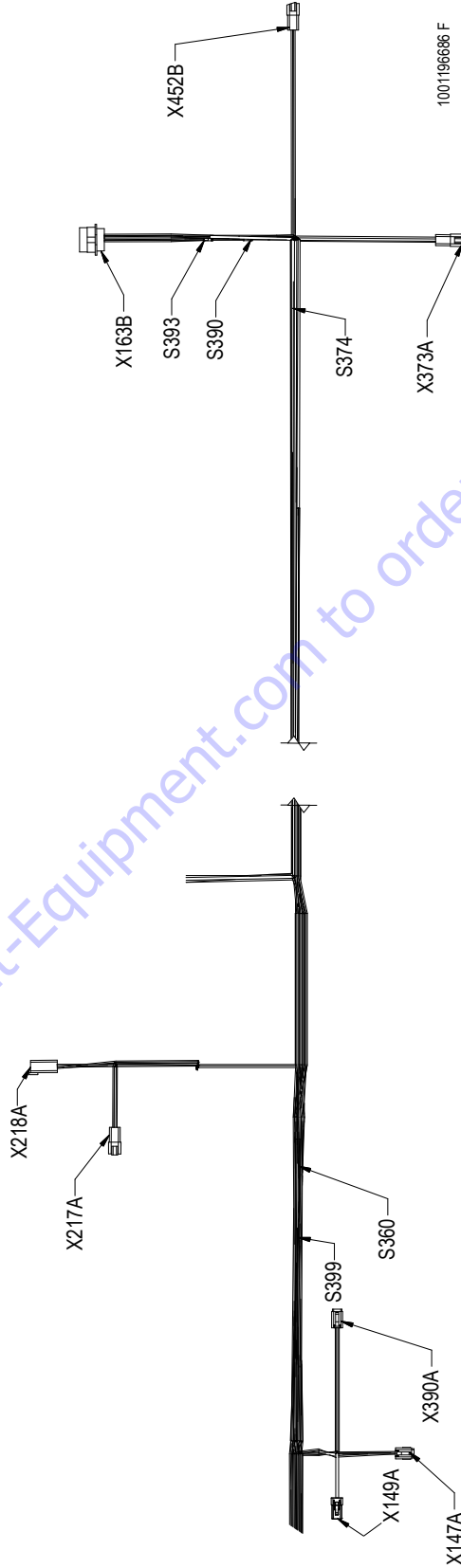


Figure 7-145. Turntable Harness - Sheet 7 of 13

SECTION 7 - BASIC ELECTRICAL INFORMATION & ELECTRICAL SCHEMATICS

X419A (TO SWIVEL)					
CONN POS	WIRE COLOR	WIRE LABEL	GAUGE	JACKET	TO
1	YEL	2-0-1	12 AWG	GXL	FC354 (A1)
2	BLK	0-74	10 AWG	GXL	X406 (1)

X147A (TO SWIVEL)					
CONN POS	WIRE COLOR	WIRE LABEL	GAUGE	JACKET	TO
1	YEL	CN H CH I	18 AWG	GXL	MS221 (3)
2	GRN	CN L CH I	18 AWG	GXL	MS221 (6)
7	WHT	55-14 BRAKE	17 AWG	GXL	CO3-J1 (23)

X390A (TO TRANSPORT CABLE)					
CONN POS	WIRE COLOR	WIRE LABEL	GAUGE	JACKET	TO
1	YEL	2-14	18 AWG	GXL	CO3-J7 (29)
2	BLK	0-48	18 AWG	GXL	CO3-J1 (4)
3	WHT	49-53 TB T NC	18 AWG	GXL	CO3-J7 (11)
4	WHT	49-54 TB T NO	18 AWG	GXL	CO3-J7 (35)

S399					
CONN POS	WIRE COLOR	WIRE LABEL	GAUGE	JACKET	TO
1	BLK	0-70-1	18 AWG	GXL	X343 (A)
1	BLK	0-70-2	18 AWG	GXL	X226A (6)
2	BLK	0-70	18 AWG	GXL	X402 (1)

S360					
CONN POS	WIRE COLOR	WIRE LABEL	GAUGE	JACKET	TO
1	YEL	2-4	18 AWG	GXL	X163B (4)
1	YEL	2-4-1	18 AWG	GXL	FC354 (C10)
2	YEL	2-4-2	18 AWG	GXL	CO3-J7 (2)
2	YEL	2-4-3	18 AWG	GXL	CO3-J7 (1)

X218A (TO ENGINE HARN)					
CONN POS	WIRE COLOR	WIRE LABEL	GAUGE	JACKET	TO
1	YEL	2-99-1	14 AWG	GXL	S479 (2)
2	WHT	148-35-2 STRT REQ	18 AWG	GXL	CO3-J1 (11)
3	YEL	CN H CH 2	18 AWG	GXL	MS501 (5)
4	GRN	CN L CH 2	18 AWG	GXL	MS501 (10)
5	WHT	47-6-1 ALT EXC	18 AWG	GXL	S392 (1)

X217A (TO ENGINE HARN)					
CONN POS	WIRE COLOR	WIRE LABEL	GAUGE	JACKET	TO
1	YEL	2-0-6	14 AWG	GXL	FC354 (A6)
2	BLK	0-17	16 AWG	GXL	CO3-J1 (8)
3	WHT	52-9 GEN	18 AWG	GXL	CO3-J1 (22)
4	WHT	4A SPARE OUTPUT	18 AWG	GXL	CO3-J1 (10)
5	YEL	2-0-5	16 AWG	GXL	FC354 (A5)
6	BLK	0-18	18 AWG	GXL	CO3-J1 (9)

X163B (MAIN BOOM CABLE)					
CONN POS	WIRE COLOR	WIRE LABEL	GAUGE	JACKET	TO
2	GRN	CN L CH I	18 AWG	GXL	MS221 (5)
3	YEL	CN H CH I	18 AWG	GXL	MS221 (2)
4	YEL	2-4	18 AWG	GXL	S360 (1)
5	RED	1-4	18 AWG	GXL	X226A (3)
6	WHT	34-1 FT SW TO UGM	18 AWG	GXL	CO3-J7 (15)
7	WHT	25-4-2 LVL DN O/R	18 AWG	GXL	X384A (10)
9	WHT	25-3-2 LVL UP O/R	18 AWG	GXL	X384A (9)
10	YEL	2-0-4-2	12 AWG	GXL	S393 (1)
11	YEL	2-5	18 AWG	GXL	CO3-J7 (14)
12	YEL	2-0-4-1	12 AWG	GXL	S393 (1)
13	WHT	50-2-1 PLTFM DUMP	16 AWG	GXL	S390 (1)
15	WHT	50-2-2 PLTFM DUMP	16 AWG	GXL	S390 (1)
16	BLK	0-72	12 AWG	GXL	X404 (1)
18	BLK	0-71	12 AWG	GXL	X403 (1)

Figure 7-146. Turntable Harness - Sheet 8 of 13

SECTION 7 - BASIC ELECTRICAL INFORMATION & ELECTRICAL SCHEMATICS

S393					
CONN POS	WIRE COLOR	WIRE LABEL	GAUGE	JACKET	TO
1	YEL	2-0-4-1	12 AWG	GXL	X163B (12)
1	YEL	2-0-4-2	12 AWG	GXL	X163B (10)
2	YEL	2-0-4	10 AWG	GXL	FC354 (A4)

S390					
CONN POS	WIRE COLOR	WIRE LABEL	GAUGE	JACKET	TO
1	WHT	50-2-1 PLTFM DUMP	16 AWG	GXL	X163B (13)
1	WHT	50-2-2 PLTFM DUMP	16 AWG	GXL	X163B (15)
2	WHT	50-2 PLTFM DUMP	16 AWG	GXL	X384A (11)

S374					
CONN POS	WIRE COLOR	WIRE LABEL	GAUGE	JACKET	TO
1	RED	1-2-3-1	12 AWG	GXL	X373A (1)
1	RED	1-2-3-2	12 AWG	GXL	X373A (2)
2	RED	1-2-3	12 AWG	GXL	FC354 (D3)

X373A (WORK LT/DOWN ENABLE)					
CONN POS	WIRE COLOR	WIRE LABEL	GAUGE	JACKET	TO
1	RED	1-2-3-1	12 AWG	GXL	S374 (1)
2	RED	1-2-3-2	12 AWG	GXL	S374 (1)
3	BLK	0-84	12 AWG	GXL	X549 (1)
4	WHT	60-8 DN ENBL RTN	18 AWG	GXL	X384A (5)

X452B (TO BOOM TRANSPORT CABLE)					
CONN POS	WIRE COLOR	WIRE LABEL	GAUGE	JACKET	TO
1	WHT	3-1 DN ENBL	18 AWG	GXL	X384A (7)
2	WHT	13-7-1 FCNTROL O/R	18 AWG	GXL	X384A (6)
3	WHT	49-30 MB ANG NO	18 AWG	GXL	X387A (3)
4	WHT	49-52 MB T NO	18 AWG	GXL	C03-J7 (21)
5	WHT	3-7-1 LIFT DN O/R	18 AWG	GXL	C03-J1 (7)
6	WHT	13-4-1 TELE IN O/R	18 AWG	GXL	C03-J1 (12)
7	WHT	49-31 MB ANG NC	18 AWG	GXL	X387A (2)
8	WHT	49-51 MB T NC	18 AWG	GXL	C03-J7 (22)

Figure 7-147. Turntable Harness - Sheet 9 of 13

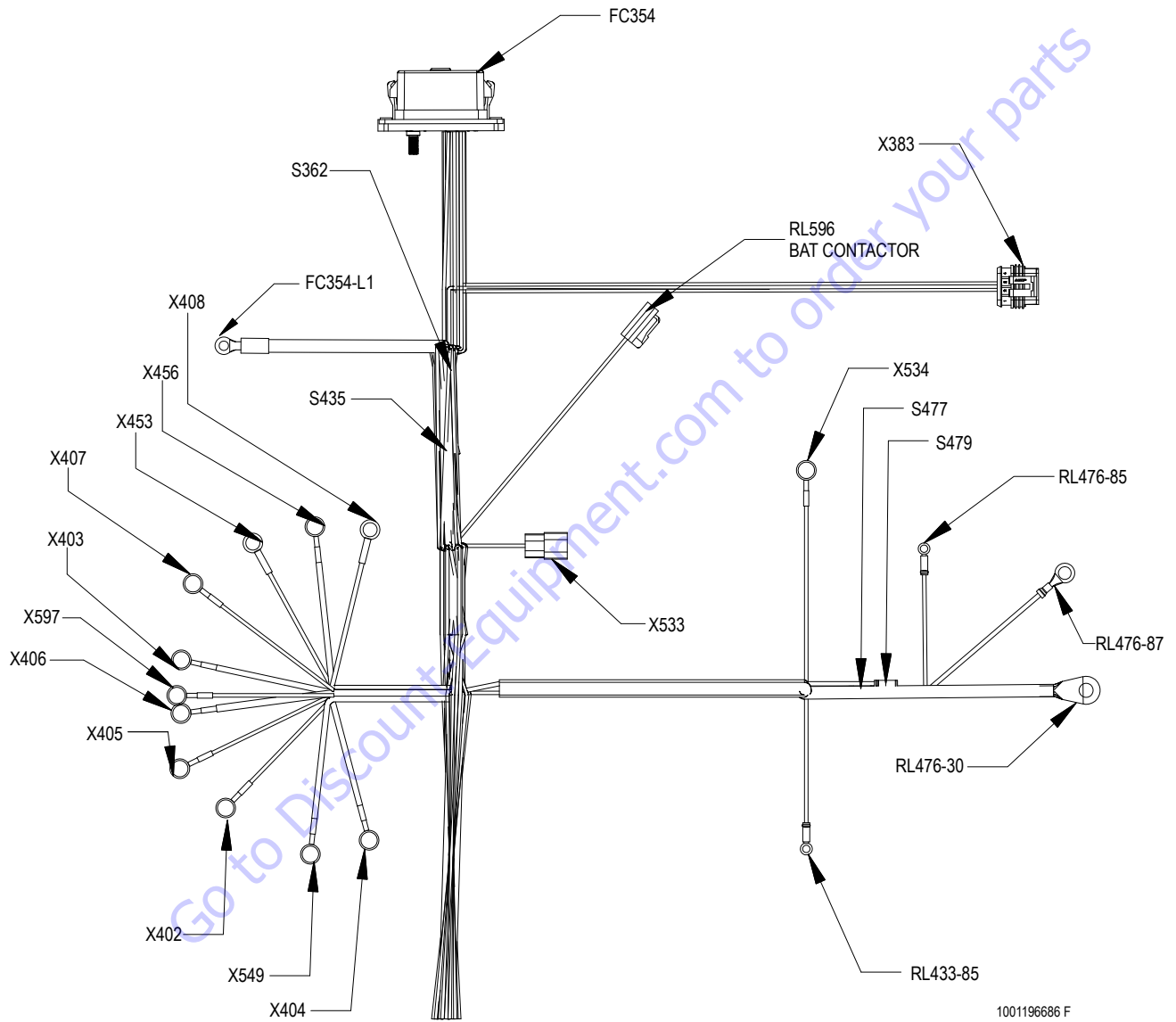


Figure 7-148. Turntable Harness - Sheet 10 of 13

SECTION 7 - BASIC ELECTRICAL INFORMATION & ELECTRICAL SCHEMATICS

X404					
CONN POS	WIRE COLOR	WIRE LABEL	GAUGE	JACKET	TO
1	BLK	0-72	12 AWG	GXL	X163B (16)

X549					
CONN POS	WIRE COLOR	WIRE LABEL	GAUGE	JACKET	TO
1	BLK	0-84	12 AWG	GXL	X373A (3)

X402					
CONN POS	WIRE COLOR	WIRE LABEL	GAUGE	JACKET	TO
1	BLK	0-70	18 AWG	GXL	S399 (2)

X405					
CONN POS	WIRE COLOR	WIRE LABEL	GAUGE	JACKET	TO
1	BLK	0-73	18 AWG	GXL	LB417 (2)

X406					
CONN POS	WIRE COLOR	WIRE LABEL	GAUGE	JACKET	TO
1	BLK	0-74	10 AWG	GXL	X149A (2)

X597					
CONN POS	WIRE COLOR	WIRE LABEL	GAUGE	JACKET	TO
1	BLK	0-85	18 AWG	GXL	RL596 (2)

X403					
CONN POS	WIRE COLOR	WIRE LABEL	GAUGE	JACKET	TO
1	BLK	0-71	12 AWG	GXL	X163B (18)

X407					
CONN POS	WIRE COLOR	WIRE LABEL	GAUGE	JACKET	TO
1	BLK	0-83	18 AWG	GXL	X533 (3)

X453					
CONN POS	WIRE COLOR	WIRE LABEL	GAUGE	JACKET	TO
1	BLK	0-79	16 AWG	GXL	X460 (2)

X456					
CONN POS	WIRE COLOR	WIRE LABEL	GAUGE	JACKET	TO
1	BLK	0-77	12 AWG	GXL	CO3-J8 (1)

X408					
CONN POS	WIRE COLOR	WIRE LABEL	GAUGE	JACKET	TO
1	BLK	0-76	14 AWG	GXL	X382A (2)

S435					
CONN POS	WIRE COLOR	WIRE LABEL	GAUGE	JACKET	TO
1	RED	1-2-1	18 AWG	GXL	FC354 (C1)
1	RED	1-2-2	16 AWG	GXL	FC354 (C2)
1	RED	1-2-3	12 AWG	GXL	FC354 (C3)
1	RED	1-2-4	18 AWG	GXL	FC354 (D4)
2	RED	1-2	10 AWG	GXL	S477 (2)

FC354-L1					
CONN POS	WIRE COLOR	WIRE LABEL	GAUGE	JACKET	TO
L1	RED	2-0	6 AWG	EPDM	RL476-30 (1)

S362					
CONN POS	WIRE COLOR	WIRE LABEL	GAUGE	JACKET	TO
1	RED	1-6	18 AWG	GXL	FC354 (D9)
1	YEL	2-4-1	18 AWG	GXL	FC354 (D10)
2	RED	IGN RLY PWR	18 AWG	GXL	RL476-85 (1)

RL596 (BAT CONTACTOR)					
CONN POS	WIRE COLOR	WIRE LABEL	GAUGE	JACKET	TO
1	WHT	49-83 BAT CONTACT	18 AWG	GXL	CO3-J1 (2)
2	BLK	0-85	18 AWG	GXL	X597 (1)

X533					
CONN POS	WIRE COLOR	WIRE LABEL	GAUGE	JACKET	TO
1	RED	1-7	18 AWG	GXL	FC354 (D7)
2	WHT	49-91 ENG BAT DIAG	18 AWG	GXL	CO3-J1 (15)
3	BLK	0-83	18 AWG	GXL	X407 (1)

X383 (EXTERNAL TILT SENSOR)					
CONN POS	WIRE COLOR	WIRE LABEL	GAUGE	JACKET	TO
1	YEL	2-11	18 AWG	GXL	CO3-J7 (31)
2	BLK	0-61	18 AWG	GXL	CO3-J7 (18)
3	YEL	CN H CH I	18 AWG	GXL	MS221 (12)
4	GRN	CN L CH I	18 AWG	GXL	MS221 (9)

Figure 7-149. Turntable Harness - Sheet 11 of 13

SECTION 7 - BASIC ELECTRICAL INFORMATION & ELECTRICAL SCHEMATICS

FC354					
CONN POS	WIRE COLOR	WIRE LABEL	GAUGE	JACKET	TO
A1	YEL	2-0-1	12 AWG	GXL	X149A (1)
A10	YEL	2-0-10	18 AWG	GXL	LB417 (1)
A2	YEL	2-0-2	12 AWG	GXL	CO3-J8 (2)
A3	YEL	2-0-3	14 AWG	GXL	X382A (1)
A4	YEL	2-0-4	10 AWG	GXL	S393 (2)
A5	YEL	2-0-5	16 AWG	GXL	X217A (5)
A6	YEL	2-0-6	14 AWG	GXL	X217A (1)
A7	YEL	2-0-7	18 AWG	GXL	X460 (3)
A8	YEL	2-0-8	18 AWG	GXL	X226A (5)
A9	YEL	2-0-9	18 AWG	GXL	X343 (H)
C1	RED	1-2-1	18 AWG	GXL	S435 (1)
C10	YEL	2-4-1	18 AWG	GXL	S360 (1)
C2	RED	1-2-2	16 AWG	GXL	S435 (1)
C3	RED	1-2-3	12 AWG	GXL	S435 (1)
C4	RED	1-2-4	18 AWG	GXL	X460 (1)
C7	RED	1-7	18 AWG	GXL	X534 (1)
C9	RED	1-6	18 AWG	GXL	X226A (4)
D1	RED	1-2-1	18 AWG	GXL	X343 (B)
D10	YEL	2-4-1	18 AWG	GXL	S362 (1)
D2	RED	1-2-2	16 AWG	GXL	X226A (1)
D3	RED	1-2-3	12 AWG	GXL	S374 (2)
D4	RED	1-2-4	18 AWG	GXL	S435 (1)
D7	RED	1-7	18 AWG	GXL	X533 (1)
D9	RED	1-6	18 AWG	GXL	S362 (1)

X534					
CONN POS	WIRE COLOR	WIRE LABEL	GAUGE	JACKET	TO
1	RED	1-7	18 AWG	GXL	FC354 (C7)

S477					
CONN POS	WIRE COLOR	WIRE LABEL	GAUGE	JACKET	TO
1	RED	--	14 AWG	FUSIBLE LINK	RL476-87 (1)
2	RED	1-2	10 AWG	GXL	S435 (2)

S479					
CONN POS	WIRE COLOR	WIRE LABEL	GAUGE	JACKET	TO
1	--	--	16 AWG	FUSIBLE LINK	RL476-30 (1)
2	YEL	2-99-1	14 AWG	GXL	X218A (1)

RL476-85					
CONN POS	WIRE COLOR	WIRE LABEL	GAUGE	JACKET	TO
1	RED	IGN RLY PWR	18 AWG	GXL	S362 (2)

RL476-87					
CONN POS	WIRE COLOR	WIRE LABEL	GAUGE	JACKET	TO
1	--	--	14 AWG	FUSIBLE LINK	S477 (1)

RL476-30					
CONN POS	WIRE COLOR	WIRE LABEL	GAUGE	JACKET	TO
1	--	--	16 AWG	FUSIBLE LINK	S479 (1)
1	RED	2-0	6 AWG	EPDM	FC354-L1 (L1)

RL433-85					
CONN POS	WIRE COLOR	WIRE LABEL	GAUGE	JACKET	TO
1	WHT	53-3 AUX PUMP	18 AWG	GXL	CO3-J1 (13)

Figure 7-150. Turntable Harness - Sheet 12 of 13

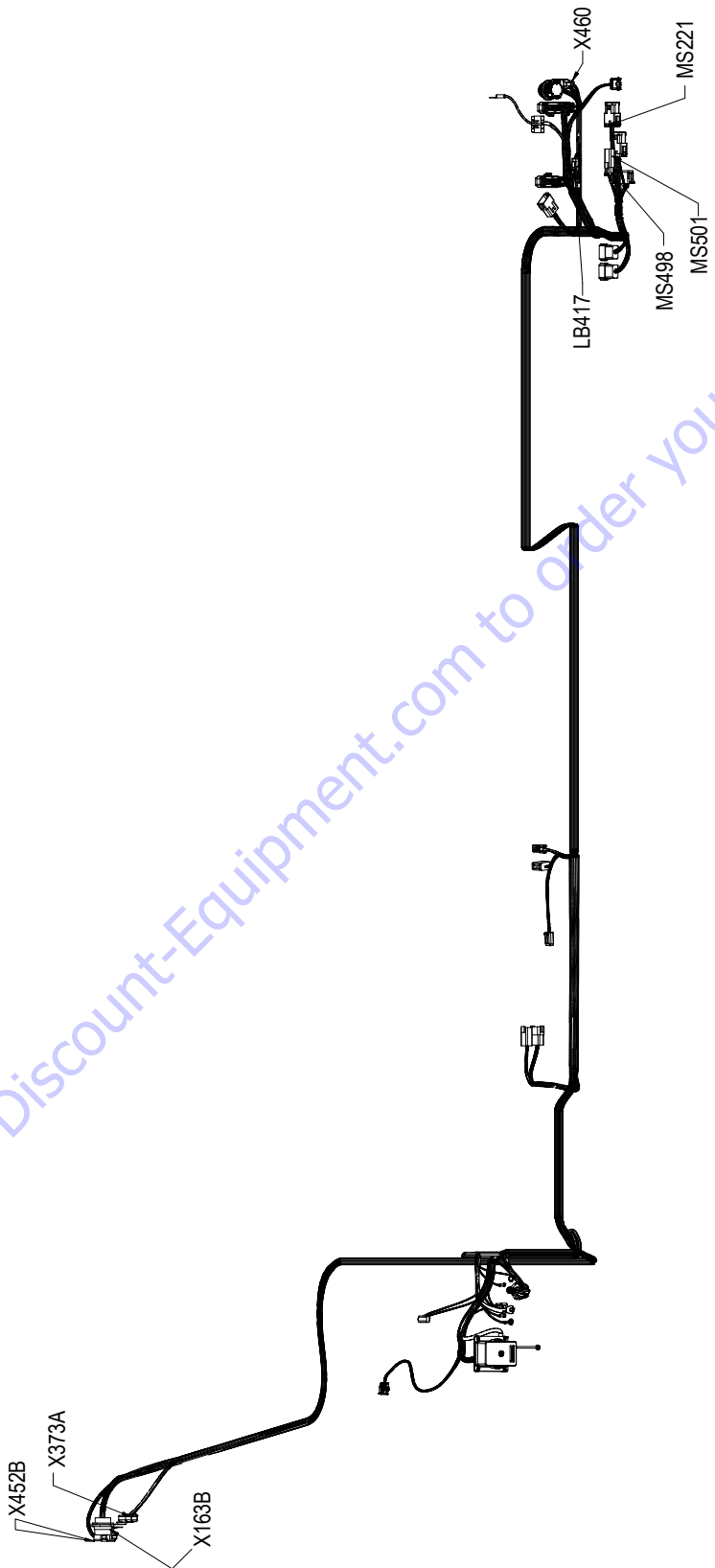


Figure 7-151. Turntable Harness - Sheet 13 of 13

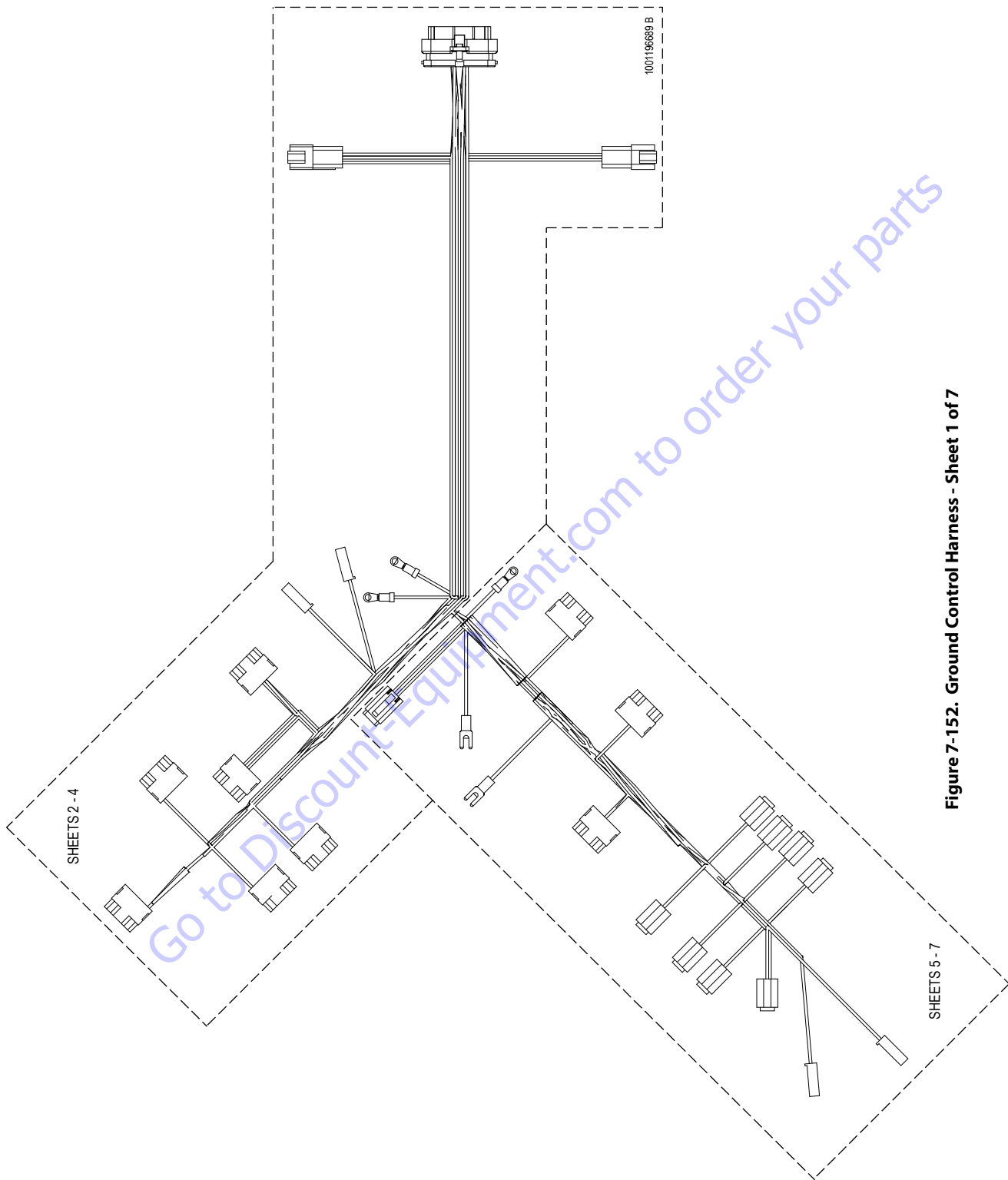


Figure 7-152. Ground Control Harness - Sheet 1 of 7

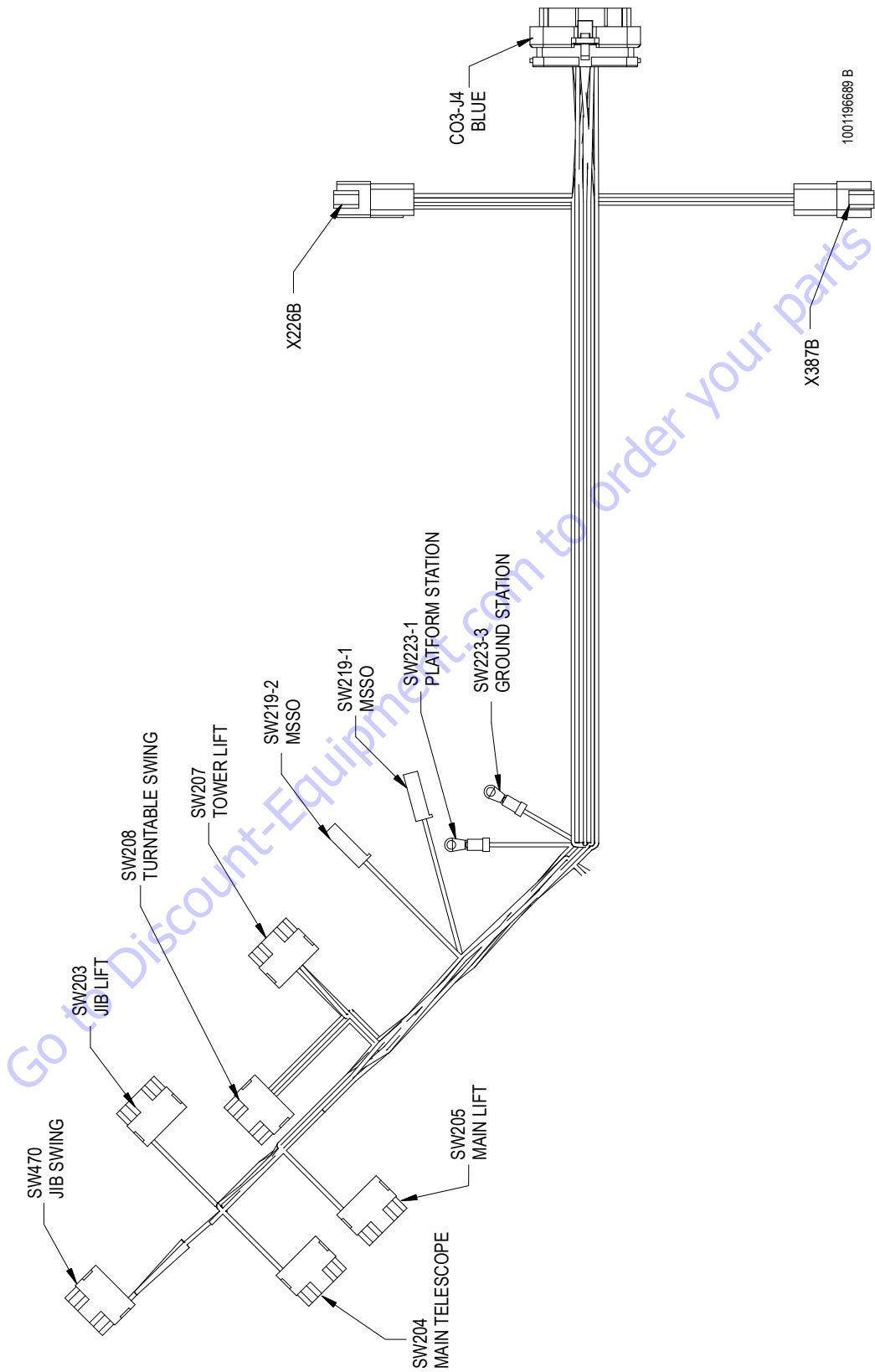


Figure 7-153. Ground Control Harness - Sheet 2 of 7

SECTION 7 - BASIC ELECTRICAL INFORMATION & ELECTRICAL SCHEMATICS

SW470 (JIB SWING)					
CONN POS	WIRE COLOR	WIRE LABEL	GAUGE	JACKET	TO
1	WHT	59-5 JIB SWG RHT	18 AWG	GXL	CO3-J4 (20)
2	YEL	2-9-6	18 AWG	GXL	SW203 (2)
2	YEL	2-9-7	18 AWG	GXL	SW201 (2)
3	WHT	59-7 JIB SWG LFT	18 AWG	GXL	CO3-J4 (6)

SW204 (MAIN TELESCOPE)					
CONN POS	WIRE COLOR	WIRE LABEL	GAUGE	JACKET	TO
1	WHT	13-5 TELE IN	18 AWG	GXL	CO3-J4 (7)
2	YEL	2-9-4	18 AWG	GXL	SW205 (2)
2	YEL	2-9-5	18 AWG	GXL	SW203 (2)
3	WHT	13-6 TELE OUT	18 AWG	GXL	CO3-J4 (30)

SW203 (JIB LIFT)					
CONN POS	WIRE COLOR	WIRE LABEL	GAUGE	JACKET	TO
1	WHT	27-7 JIB UP	18 AWG	GXL	CO3-J4 (19)
2	YEL	2-9-5	18 AWG	GXL	SW204 (2)
2	YEL	2-9-6	18 AWG	GXL	SW470 (2)
3	WHT	27-8 JIB DN	18 AWG	GXL	CO3-J4 (8)

SW205 (MAIN LIFT)					
CONN POS	WIRE COLOR	WIRE LABEL	GAUGE	JACKET	TO
1	WHT	3-3 LIFT UP	18 AWG	GXL	CO3-J4 (23)
2	YEL	2-9-3	18 AWG	GXL	SW209-1 (1)
2	YEL	2-9-4	18 AWG	GXL	SW204 (2)
3	WHT	3-4 LIFT DN	18 AWG	GXL	CO3-J4 (33)

SW208 (TURNTABLE SWING)					
CONN POS	WIRE COLOR	WIRE LABEL	GAUGE	JACKET	TO
1	WHT	21-3 SWG RHT	18 AWG	GXL	CO3-J4 (35)
2	YEL	2-9	18 AWG	GXL	CO3-J4 (35)
2	YEL	2-9-1	18 AWG	GXL	SW207 (2)
3	WHT	21-4 SWG LFT	18 AWG	GXL	CO3-J4 (34)

SW219-1 (MSSO)					
CONN POS	WIRE COLOR	WIRE LABEL	GAUGE	JACKET	TO
1	WHT	99-1 MSSO	18 AWG	GXL	X387B (1)

SW219-2 (MSSO)					
CONN POS	WIRE COLOR	WIRE LABEL	GAUGE	JACKET	TO
1	BLK	0-99	18 AWG	GXL	X387B (4)

SW207 (TOWER LIFT)					
CONN POS	WIRE COLOR	WIRE LABEL	GAUGE	JACKET	TO
1	WHT	14-1 TOWER UP	18 AWG	GXL	CO3-J4 (10)
2	YEL	2-9-1	18 AWG	GXL	SW208 (2)
2	YEL	2-9-2	18 AWG	GXL	SW209-1 (1)
3	WHT	14-2 TOWER DN	18 AWG	GXL	CO3-J4 (21)

SW223-3 (GROUND STATION)					
CONN POS	WIRE COLOR	WIRE LABEL	GAUGE	JACKET	TO
1	RED	1-5	18 AWG	GXL	X226B (2)
1	RED	1-6	18 AWG	GXL	X226B (4)

SW223-1 (PLATFORM STATION)					
CONN POS	WIRE COLOR	WIRE LABEL	GAUGE	JACKET	TO
1	RED	1-4	18 AWG	GXL	X226B (3)
1	RED	1-4-1 PLTFM STAT	18 AWG	GXL	X226B (10)

X226B					
CONN POS	WIRE COLOR	WIRE LABEL	GAUGE	JACKET	TO
1	RED	1-2-2	16 AWG	GXL	SW224-1 (1)
2	RED	1-5	18 AWG	GXL	SW223-3 (1)
3	RED	1-4	18 AWG	GXL	SW223-1 (1)
4	RED	1-6	18 AWG	GXL	SW223-3 (1)
5	YEL	2-0-8	18 AWG	GXL	GD222 (2)
6	BLK	0-70-2	18 AWG	GXL	GD222 (1)
7	GRN	CN L CH 2	18 AWG	GXL	GD222 (4)
8	YEL	CN H CH 2	18 AWG	GXL	GD222 (3)
10	RED	1-4-1 PLTFM STAT	18 AWG	GXL	SW223-1 (1)
11	WHT	23-5 PLTFM RHT	18 AWG	GXL	SW200 (1)
12	WHT	23-6 PLTFM LFT	18 AWG	GXL	SW200 (3)

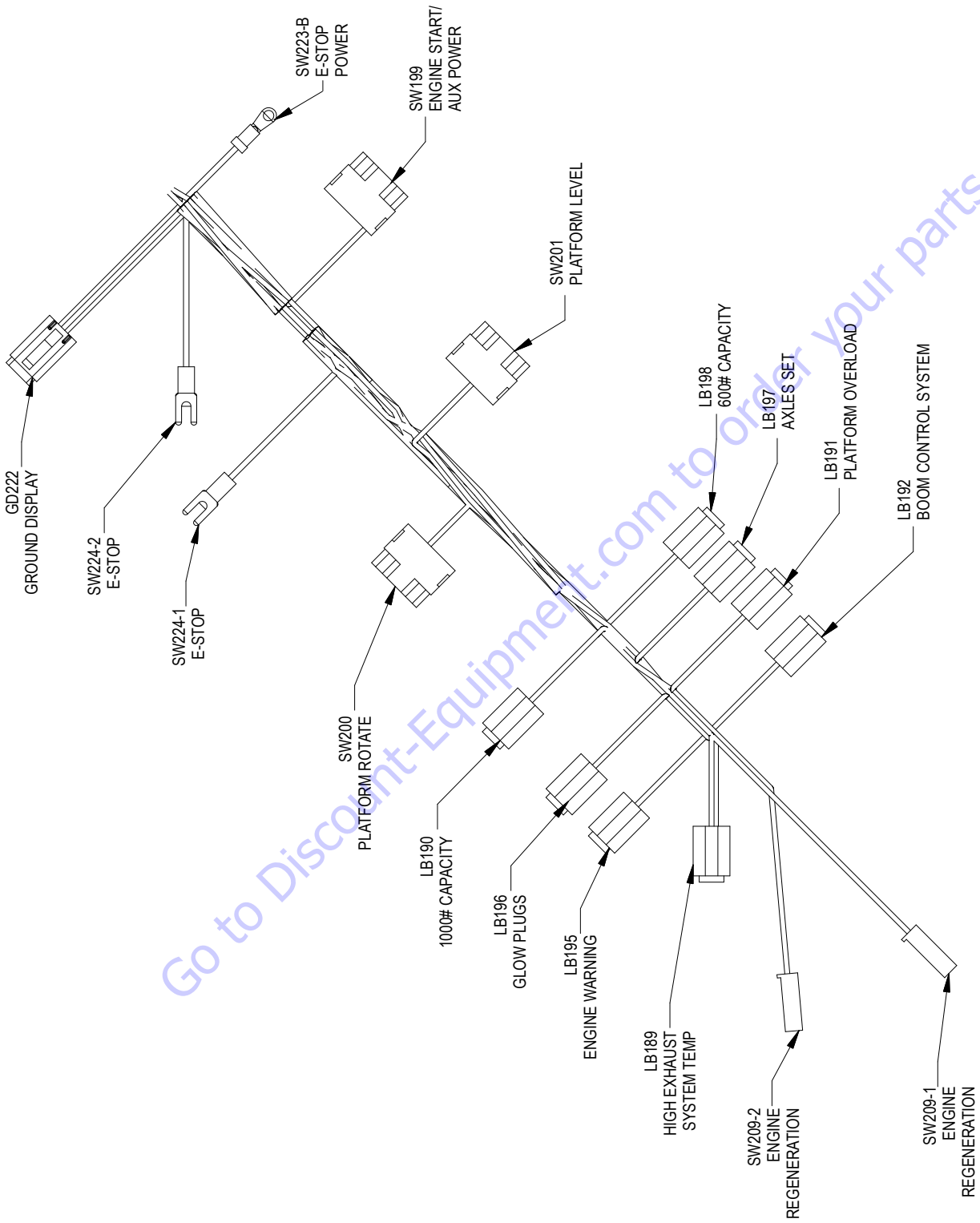
Figure 7-154. Ground Control Harness - Sheet 3 of 7

SECTION 7 - BASIC ELECTRICAL INFORMATION & ELECTRICAL SCHEMATICS

CO3-J4 (BLUE)					
CONN POS	WIRE COLOR	WIRE LABEL	GAUGE	JACKET	TO
1	WHT	39-4 AXLE	18 AWG	GXL	LB197 (1)
2	WHT	54-4 500#	18 AWG	GXL	LB198 (1)
3	WHT	49-29 BCS	18 AWG	GXL	LB192 (1)
4	WHT	48-4 START	18 AWG	GXL	SW199 (1)
5	WHT	25-8 PLTFM LVL DN	18 AWG	GXL	SW201 (3)
6	WHT	59-7 JIB SWG LFT	18 AWG	GXL	SW470 (3)
7	WHT	13-5 TELE IN	18 AWG	GXL	SW204 (1)
8	WHT	27-8 JIB DN	18 AWG	GXL	SW203 (3)
9	WHT	148-5 SCR REGEN	18 AWG	GXL	SW209-2 (1)
10	WHT	14-1 TOWER UP	18 AWG	GXL	SW207 (1)
11	WHT	49-30 MB ANG NO	18 AWG	GXL	X387B (3)
14	WHT	49-30 OVERLOAD	18 AWG	GXL	LB191 (1)
15	WHT	48-5 GLOW	18 AWG	GXL	LB196 (1)
16	WHT	53-2 AUX PWR	18 AWG	GXL	SW199 (3)
17	WHT	25-7 PLTFM LVL UP	18 AWG	GXL	SW201 (1)
19	WHT	27-7 JIB UP	18 AWG	GXL	SW203 (1)
20	WHT	59-5 JIB SWG RHT	18 AWG	GXL	SW470 (1)
21	WHT	14-2 TOWER DN	18 AWG	GXL	SW207 (3)
22	WHT	49-31 MB ANG NC	18 AWG	GXL	X387B (2)
23	WHT	3-3 LIFT UP	18 AWG	GXL	SW205 (1)
25	YEL	2-9	18 AWG	GXL	SW208 (2)
26	WHT	148-7 HEST	18 AWG	GXL	LB189 (1)
27	WHT	54-5 1000#	18 AWG	GXL	LB190 (1)
28	WHT	148-6 ENG WARN	18 AWG	GXL	LB195 (1)
30	WHT	13-6 TELE OUT	18 AWG	GXL	SW204 (3)
31	BLK	0-12	18 AWG	GXL	LB190 (2)
33	WHT	3-4 LIFT DN	18 AWG	GXL	SW205 (3)
34	WHT	21-4 SWG LFT	18 AWG	GXL	SW208 (3)
35	WHT	21-3 SWG RHT	18 AWG	GXL	SW208 (1)

X387B					
CONN POS	WIRE COLOR	WIRE LABEL	GAUGE	JACKET	TO
1	WHT	99-1 MSSO	18 AWG	GXL	SW219-1 (1)
2	WHT	49-31 MB ANG NC	18 AWG	GXL	CO3-J4 (22)
3	WHT	49-30 MB ANG NO	18 AWG	GXL	CO3-J4 (11)
4	BLK	0-99	18 AWG	GXL	SW219-2 (1)

Figure 7-155. Ground Control Harness - Sheet 4 of 7



1001196689 B

Figure 7-156. Ground Control Harness - Sheet 5 of 7

SECTION 7 - BASIC ELECTRICAL INFORMATION & ELECTRICAL SCHEMATICS

GD222 (GROUND DISPLAY)					
CONN POS	WIRE COLOR	WIRE LABEL	GAUGE	JACKET	TO
1	BLK	0-70-2	18 AWG	GXL	X226B (6)
2	YEL	2-0-8	18 AWG	GXL	X226B (5)
3	YEL	CN H CH 2	18 AWG	GXL	X226B (8)
4	GRN	CN L CH 2	18 AWG	GXL	X226B (7)

LB196 (GLOW PLUGS)					
CONN POS	WIRE COLOR	WIRE LABEL	GAUGE	JACKET	TO
1	WHT	48-5 GLOW	18 AWG	GXL	CO3-J4 (15)
2	BLK	0-12-5	18 AWG	GXL	LB195 (2)
2	BLK	0-12-6	18AWG	GXL	LB197 (2)

SW224-2 (E-STOP)					
CONN POS	WIRE COLOR	WIRE LABEL	GAUGE	JACKET	TO
2	RED	1-3	18 AWG	GXL	SW223-B (1)

LB195 (ENGINE WARNING)					
CONN POS	WIRE COLOR	WIRE LABEL	GAUGE	JACKET	TO
1	WHT	148-6 ENG WARN	18 AWG	GXL	CO3-J4 (28)
2	BLK	0-12-4	18 AWG	GXL	LB189 (2)
2	BLK	0-12-5	18 AWG	GXL	LB196 (2)

SW224-1 (E-STOP)					
CONN POS	WIRE COLOR	WIRE LABEL	GAUGE	JACKET	TO
1	RED	1-2-2	16 AWG	GXL	X226B (1)

LB189 (HIGH EXHAUST SYSTEM TEMP)					
CONN POS	WIRE COLOR	WIRE LABEL	GAUGE	JACKET	TO
1	WHT	148-7 HEST	18 AWG	GXL	CO3-J4 (26)
2	BLK	0-12-3	18 AWG	GXL	LB192 (2)
2	BLK	0-12-4	18 AWG	GXL	LB195 (2)

SW200 (PLATFORM ROTATE)					
CONN POS	WIRE COLOR	WIRE LABEL	GAUGE	JACKET	TO
1	WHT	23-5 PLTFM RHT	18 AWG	GXL	X226B (11)
2	YEL	2-9-8	18 AWG	GXL	SW201 (2)
2	YEL	2-9-9	18 AWG	GXL	SW199 (2)
3	WHT	23-6 PLTFM LFT	18 AWG	GXL	X226B (12)

SW209-2 (ENGINE REGENERATION)					
CONN POS	WIRE COLOR	WIRE LABEL	GAUGE	JACKET	TO
1	WHT	148-5 SCR REGEN	18 AWG	GXL	CO3-J4 (9)

LB190 (1000# CAPACITY)					
CONN POS	WIRE COLOR	WIRE LABEL	GAUGE	JACKET	TO
1	WHT	54-5 1000#	18 AWG	GXL	CO3-J4 (27)
2	BLK	0-12	18 AWG	GXL	CO3-J4 (31)
2	BLK	0-12-1	18 AWG	GXL	LB191 (2)

SW209-1 (ENGINE REGENERATION)					
CONN POS	WIRE COLOR	WIRE LABEL	GAUGE	JACKET	TO
1	YEL	2-9-2	18 AWG	GXL	SW207 (2)
1	YEL	2-9-3	18 AWG	GXL	SW205 (2)

Figure 7-157. Ground Control Harness - Sheet 6 of 7

SECTION 7 - BASIC ELECTRICAL INFORMATION & ELECTRICAL SCHEMATICS

LB192 (BOOM CONTROL SYSTEM)					
CONN POS	WIRE COLOR	WIRE LABEL	GAUGE	JACKET	TO
1	WHT	49-29 BCS	18 AWG	GXL	CO3-J4 (3)

LB191 (PLATFORM OVERLOAD)					
CONN POS	WIRE COLOR	WIRE LABEL	GAUGE	JACKET	TO
1	WHT	49-30 OVERLOAD	18 AWG	GXL	CO3-J4 (14)
2	BLK	0-12-1	18 AWG	GXL	LB190 (2)
2	BLK	0-12-2	18 AWG	GXL	LB192 (2)

LB197 (AXLES SET)					
CONN POS	WIRE COLOR	WIRE LABEL	GAUGE	JACKET	TO
1	WHT	39-4 AXLE	18 AWG	GXL	CO3-J4 (1)
2	BLK	0-12-6	18 AWG	GXL	LB196 (2)
2	BLK	0-12-7	18 AWG	GXL	LB198 (2)

LB198 (600# CAPACITY)					
CONN POS	WIRE COLOR	WIRE LABEL	GAUGE	JACKET	TO
1	WHT	54-4 500#	18 AWG	GXL	CO3-J4 (2)
2	BLK	0-12-7	18 AWG	GXL	LB197 (2)

SW201 (PLATFORM LEVEL)					
CONN POS	WIRE COLOR	WIRE LABEL	GAUGE	JACKET	TO
1	WHT	25-7 PLTFM LVL UP	18 AWG	GXL	CO3-J4 (17)
2	YEL	2-9-7	18 AWG	GXL	SW470 (2)
2	YEL	2-9-8	18 AWG	GXL	SW200 (2)
3	WHT	25-8 PLTFM LVL DN	18 AWG	GXL	CO3-J4 (5)

SW199 (ENGINE START/AUX POWER)					
CONN POS	WIRE COLOR	WIRE LABEL	GAUGE	JACKET	TO
1	WHT	48-4 START	18 AWG	GXL	CO3-J4 (4)
2	YEL	2-9-9	18 AWG	GXL	CO3-J4 (16)

SW223-B (E-STOP POWER)					
CONN POS	WIRE COLOR	WIRE LABEL	GAUGE	JACKET	TO
1	RED	1-3	16 AWG	GXL	SW224-2 (2)

Figure 7-158. Ground Control Harness - Sheet 7 of 7

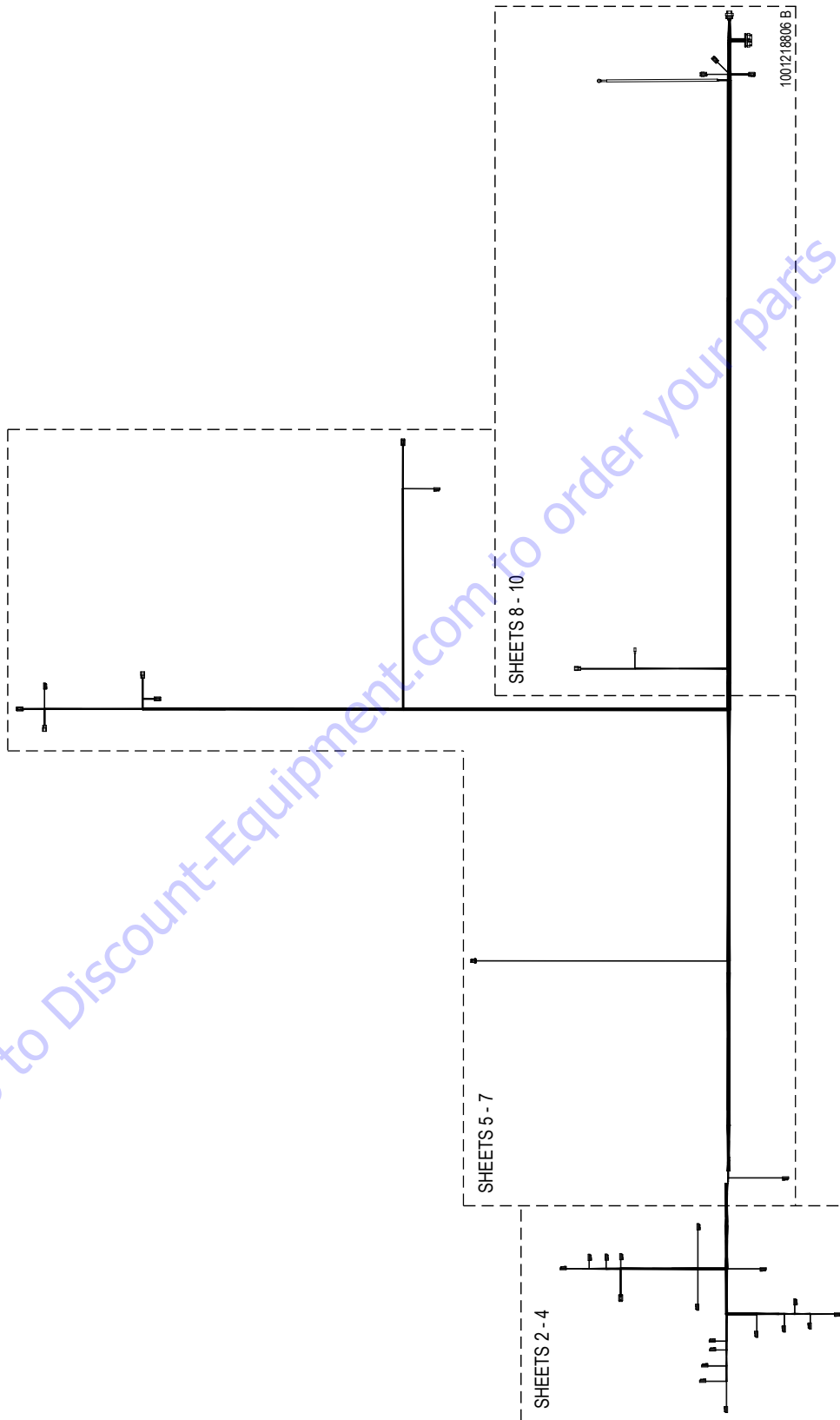


Figure 7-159. Turntable Valve Harness - Sheet 1 of 11

SECTION 7 - BASIC ELECTRICAL INFORMATION & ELECTRICAL SCHEMATICS

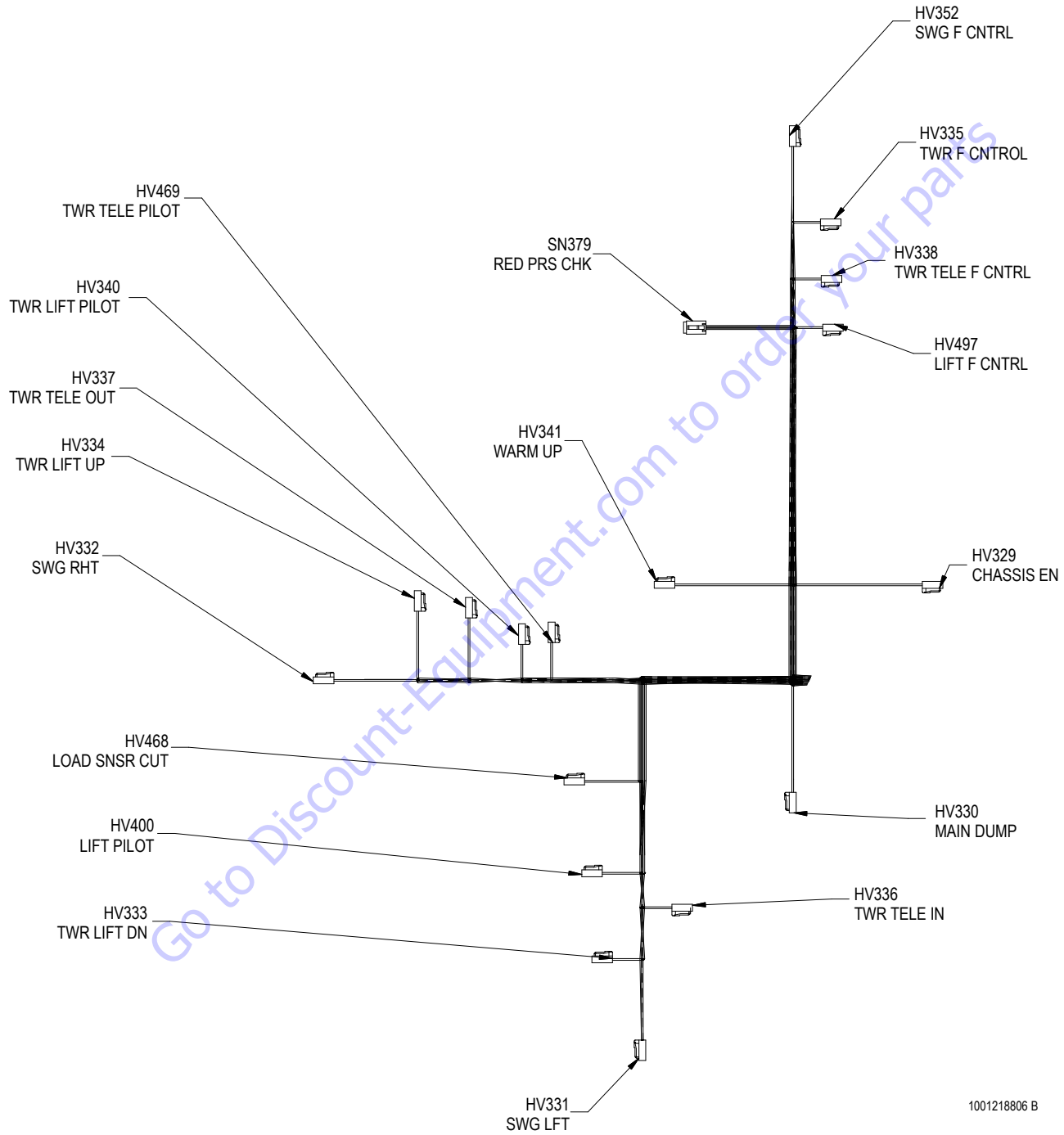


Figure 7-160. Turntable Valve Harness - Sheet 2 of 11

1001218806 B

SECTION 7 - BASIC ELECTRICAL INFORMATION & ELECTRICAL SCHEMATICS

HV332 (SWG RHT)					
CONN POS	WIRE COLOR	WIRE LABEL	GAUGE	JACKET	TO
1	WHT	22-1 SWG RHT	18 AWG	GXL	CO3-J2 (32)
2	BLK	0-42-2	18 AWG	GXL	S359 (2)

HV341 (WARM UP)					
CONN POS	WIRE COLOR	WIRE LABEL	GAUGE	JACKET	TO
1	WHT	55-19 HYD WARM	18 AWG	GXL	CO3-J2 (12)
2	BLK	0-20-1	18 AWG	GXL	S378 (2)

HV334 (TWR LIFT UP)					
CONN POS	WIRE COLOR	WIRE LABEL	GAUGE	JACKET	TO
1	WHT	14-4 TWR LIFT UP	18 AWG	GXL	CO3-J2 (23)
2	BLK	0-43-2	18 AWG	GXL	S375 (2)

HV352 (SWG F CNTRL)					
CONN POS	WIRE COLOR	WIRE LABEL	GAUGE	JACKET	TO
1	WHT	55-32 SWG FC	18 AWG	GXL	CO3-J2 (35)
2	BLK	0-42-3	18 AWG	GXL	S359 (2)

HV337 (TWR TELE OUT)					
CONN POS	WIRE COLOR	WIRE LABEL	GAUGE	JACKET	TO
1	WHT	15-2 TWR TELE OUT	18 AWG	GXL	CO3-J2 (16)
2	BLK	0-44-2	18 AWG	GXL	S373 (2)

HV335 (TWR F CNTRL)					
CONN POS	WIRE COLOR	WIRE LABEL	GAUGE	JACKET	TO
1	WHT	55-9 TWR LIFT FC	18 AWG	GXL	CO3-J2 (20)
2	WHT	60-1 TWR L FC RTN	18 AWG	GXL	CO3-J3 (1)

HV340 (TWR LIFT PILOT)					
CONN POS	WIRE COLOR	WIRE LABEL	GAUGE	JACKET	TO
1	WHT	55-11 TWR LIFT PLT	18 AWG	GXL	CO3-J2 (33)
2	BLK	0-40-2	18 AWG	GXL	S357 (2)

SN379 (RED PRS CHK)					
CONN POS	WIRE COLOR	WIRE LABEL	GAUGE	JACKET	TO
1	BLK	18/3 - 1060981	18 AWG	CABLE	MS503 (7)
2	RED	18/3 - 1060981	18 AWG	CABLE	MS503 (5)
4	BLU	18/3 - 1060981	18 AWG	CABLE	X458A (10)
NC	SHLD	18/3 - 1060981	18 AWG	CABLE	S562 (2)

HV469 (TWR TELE PILOT)					
CONN POS	WIRE COLOR	WIRE LABEL	GAUGE	JACKET	TO
1	WHT	15-5 TWR TELE PLT	18 AWG	GXL	CO3-J2 (11)
2	BLK	0-44-3	18 AWG	GXL	CO3-J2 (29)

Figure 7-161. Turntable Valve Harness - Sheet 3 of 11

SECTION 7 - BASIC ELECTRICAL INFORMATION & ELECTRICAL SCHEMATICS

HV338 (TWR TELE F CNTRL)					
CONN POS	WIRE COLOR	WIRE LABEL	GAUGE	JACKET	TO
1	WHT	55-12 TWR TELE FC	18 AWG	GXL	CO3-J2 (8)
2	WHT	60-2 TWR T FC RTN	18 AWG	GXL	CO3-J3 (2)

HV331 (SWG LFT)					
CONN POS	WIRE COLOR	WIRE LABEL	GAUGE	JACKET	TO
1	WHT	22-2 SWG LFT	18 AWG	GXL	CO3-J2 (15)
2	BLK	0-42-1	18 AWG	GXL	S359 (2)

HV497 (LIFT F CNTRL)					
CONN POS	WIRE COLOR	WIRE LABEL	GAUGE	JACKET	TO
1	WHT	13-9 M L FCNTRL	18 AWG	GXL	CO3-J2 (34)
2	WHT	60-3 L FC RTN	18 AWG	GXL	CO3-J3 (4)

HV333 (TWR LIFT DN)					
CONN POS	WIRE COLOR	WIRE LABEL	GAUGE	JACKET	TO
1	WHT	14-3 TWR LIFT DN	18 AWG	GXL	CO3-J2 (21)
2	BLK	0-43-1	18 AWG	GXL	S375 (2)

HV329 (CHASSIS EN)					
CONN POS	WIRE COLOR	WIRE LABEL	GAUGE	JACKET	TO
1	WHT	55-31 CHAS ENBL	18 AWG	GXL	CO3-J2 (2)
2	BLK	0-37	18 AWG	GXL	CO3-J2 (17)

HV400 (LIFT PILOT)					
CONN POS	WIRE COLOR	WIRE LABEL	GAUGE	JACKET	TO
1	WHT	13-8 LIFT PLT	18 AWG	GXL	CO3-J2 (10)
2	BLK	0-43-3	18 AWG	GXL	S375 (1)

HV330 (MAIN DUMP)					
CONN POS	WIRE COLOR	WIRE LABEL	GAUGE	JACKET	TO
1	WHT	50-4 MAIN DUMP	18 AWG	GXL	CO3-J2 (13)
2	BLK	0-40-1	18 AWG	GXL	S357 (2)

HV468 (LOAD SNSR CUT)					
CONN POS	WIRE COLOR	WIRE LABEL	GAUGE	JACKET	TO
1	WHT	17-1 LOAD CUT VLV	18 AWG	GXL	X458A (12)
2	BLK	0-20-3	18 AWG	GXL	S378 (2)

HV336 (TWR TELE IN)					
CONN POS	WIRE COLOR	WIRE LABEL	GAUGE	JACKET	TO
1	WHT	15-1 TWR TELE IN	18 AWG	GXL	CO3-J2 (4)
2	BLK	0-44-1	18 AWG	GXL	S373 (2)

Figure 7-162. Turntable Valve Harness - Sheet 4 of 11

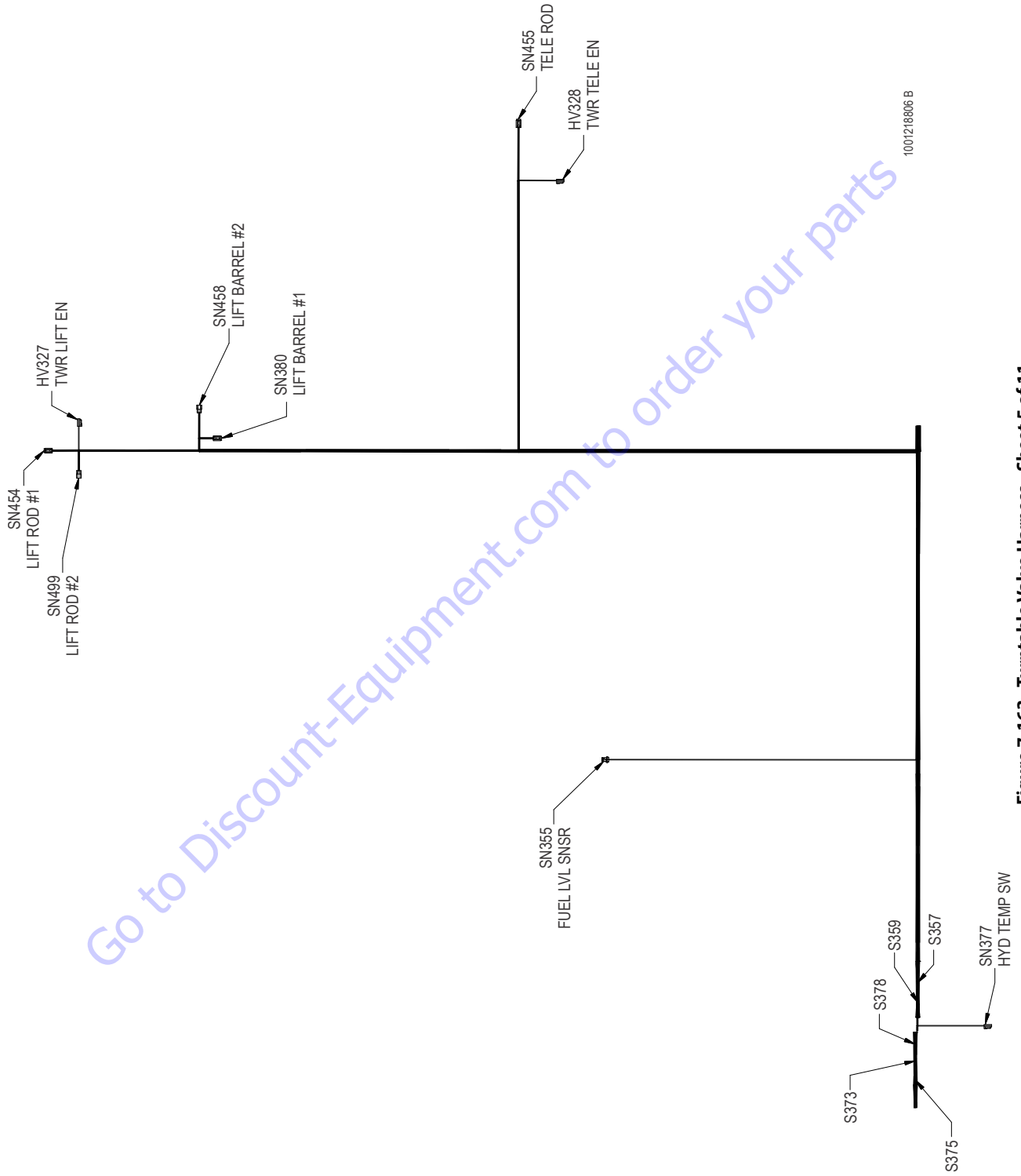


Figure 7-163. Turntable Valve Harness - Sheet 5 of 11

SECTION 7 - BASIC ELECTRICAL INFORMATION & ELECTRICAL SCHEMATICS

S375					
CONN POS	WIRE COLOR	WIRE LABEL	GAUGE	JACKET	TO
1	BLK	0-43	18 AWG	GXL	CO3-J2 (30)
1	BLK	0-43-3	18 AWG	GXL	HV400 (2)
2	BLK	0-43-1	18 AWG	GXL	HV333 (2)
2	BLK	0-43-2	18 AWG	HXL	HV334 (2)

S359					
CONN POS	WIRE COLOR	WIRE LABEL	GAUGE	JACKET	TO
1	BLK	0-42	18 AWG	GXL	CO3-J2 (18)
2	BLK	0-42-1	18 AWG	GXL	HV331 (2)
2	BLK	0-42-2	18 AWG	GXL	HV332 (2)
2	BLK	0-42-3	18 AWG	GXL	HV352 (2)

S373					
CONN POS	WIRE COLOR	WIRE LABEL	GAUGE	JACKET	TO
1	BLK	0-44	18 AWG	GXL	CO3-J2 (6)
2	BLK	0-44-1	18 AWG	GXL	HV336 (2)
2	BLK	0-44-2	18 AWG	GXL	HV337 (2)

S357					
CONN POS	WIRE COLOR	WIRE LABEL	GAUGE	JACKET	TO
1	BLK	0-40	18 AWG	GXL	CO3-J2 (14)
2	BLK	0-40-1	18 AWG	GXL	HV330 (2)
2	BLK	0-40-2	18 AWG	GXL	HV340 (2)

S378					
CONN POS	WIRE COLOR	WIRE LABEL	GAUGE	JACKET	TO
1	BLK	0-20	18 AWG	GXL	CO3-J3 (3)
1	BLK	0-20-2	18 AWG	GXL	SN377 (2)
2	BLK	0-20-1	18 AWG	GXL	HV341 (2)
2	BLK	0-20-3	18 AWG	GXL	HV468 (2)

SN355 (FUEL LVL SNSR)					
CONN POS	WIRE COLOR	WIRE LABEL	GAUGE	JACKET	TO
1	WHT	47-10 FUL SNSR	18 AWG	GXL	CO3-J2 (25)
2	BLK	0-45-2	18 AWG	GXL	S356 (2)

SN377 (HYD TEMP SW)					
CONN POS	WIRE COLOR	WIRE LABEL	GAUGE	JACKET	TO
1	WHT	49-45 HYD OIL TEMP	18 AWG	GXL	CO3-J2 (24)
2	BLK	0-20-2	18 AWG	GXL	S378 (1)

SN499 (LIFT ROD #2)					
CONN POS	WIRE COLOR	WIRE LABEL	GAUGE	JACKET	TO
A	RED	18/3 - 1060981	18 AWG	CABLE	MS503 (6)
B	BLK	18/3 - 1060981	18 AWG	CABLE	MS503 (8)
C	BLU	18/3 - 1060981	18 AWG	CABLE	CO3-J3 (13)
NC	SHLD	18/3 - 1060981	18 AWG	CABLE	S562 (2)

Figure 7-164. Turntable Valve Harness - Sheet 6 of 11

SECTION 7 - BASIC ELECTRICAL INFORMATION & ELECTRICAL SCHEMATICS

SN454 (LIFT ROD #1)					
CONN POS	WIRE COLOR	WIRE LABEL	GAUGE	JACKET	TO
1	BLK	18/3 - 1060981	18 AWG	CABLE	X458A (2)
2	RED	18/3 - 1060981	18 AWG	CABLE	X458A (1)
4	BLU	18/3 - 1060981	18 AWG	CABLE	X458A (3)
NC	SHLD	18/3 - 1060981	18 AWG	CABLE	S562 (2)

HV327 (TWR LIFT EN)					
CONN POS	WIRE COLOR	WIRE LABEL	GAUGE	JACKET	TO
1	WHT	55-7 TWR LIFT ENBL	18 AWG	GXL	X384B (4)
2	WHT	60-7 TWR L EN RTN	18 AWG	GXL	CO3-J3 (14)

SN458 (LIFT BARREL #2)					
CONN POS	WIRE COLOR	WIRE LABEL	GAUGE	JACKET	TO
A	YEL	18/3 - 1060982	18 AWG	CABLE	CO3-J3 (12)
B	BLK	18/3 - 1060982	18 AWG	CABLE	X458A (7)
C	ORG	18/3 - 1060982	18 AWG	CABLE	X458A (8)
NC	SHLD	18/3 - 1060982	18 AWG	CABLE	S562 (2)

SN380 (LIFT BARREL #1)					
CONN POS	WIRE COLOR	WIRE LABEL	GAUGE	JACKET	TO
1	BLK	18/3 - 1060982	18 AWG	CABLE	X458A (5)
2	YEL	18/3 - 1060982	18 AWG	CABLE	X458A (4)
4	ORG	18/3 - 1060982	18 AWG	CABLE	X458A (6)
NC	SHLD	18/3 - 1060982	18 AWG	CABLE	S562 (2)

SN455 (TELE ROD)					
CONN POS	WIRE COLOR	WIRE LABEL	GAUGE	JACKET	TO
1	BLK	18/3 - 1060981	18 AWG	CABLE	X384B (3)
2	RED	18/3 - 1060981	18 AWG	CABLE	X384B (1)
4	BLU	18/3 - 1060981	18 AWG	CABLE	X384B (2)
NC	SHLD	18/3 - 1060981	18 AWG	CABLE	S562 (2)

HV328 (TWR TELE EN)					
CONN POS	WIRE COLOR	WIRE LABEL	GAUGE	JACKET	TO
1	WHT	55-8 TWR TELE ENBL	18 AWG	GXL	X384B (8)
2	WHT	60-6 TWR T EN RTN	18 AWG	GXL	CO3-J3 (5)

Figure 7-165. Turntable Valve Harness - Sheet 7 of 11

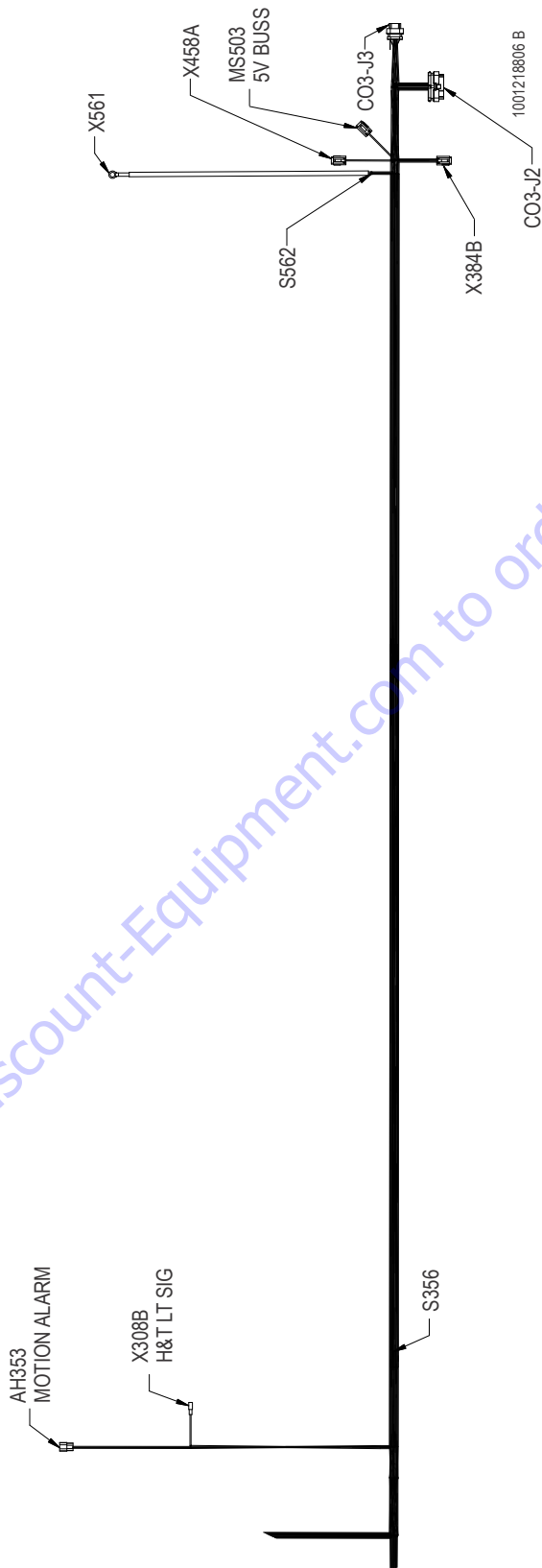


Figure 7-166. Turntable Valve Harness - Sheet 8 of 11

Go to Discount-Equipment.com to order your parts

SECTION 7 - BASIC ELECTRICAL INFORMATION & ELECTRICAL SCHEMATICS

AH353 (MOTION ALARM)					
CONN POS	WIRE COLOR	WIRE LABEL	GAUGE	JACKET	TO
A	YEL	2-16	18 AWG	GXL	CO3-J3 (7)
B	WHT	52-6 MOT ALARM	18 AWG	GXL	CO3-J2 (27)
C	BLK	0-45-1	18 AWG	GXL	S356 (2)

X308B (H&T LT SIG)					
CONN POS	WIRE COLOR	WIRE LABEL	GAUGE	JACKET	TO
1	WHT	52-7 H&T LT	18 AWG	GXL	CO3-J2 (26)

S356					
CONN POS	WIRE COLOR	WIRE LABEL	GAUGE	JACKET	TO
1	BLK	0-45	18 AWG	GXL	CO3-J2 (28)
2	BLK	0-45-1	18 AWG	GXL	AH353 (C)
2	BLK	0-45-2	18 AWG	GXL	SN355 (2)

S562					
CONN POS	WIRE COLOR	WIRE LABEL	GAUGE	JACKET	TO
1	N/A	SNSR SHLD GND	4 AWG	BRAID	X561 (1)
2	SHLD	18/3 - 1060981	18 AWG	CABLE	SN379 (NC)
2	SHLD	18/3 - 1060981	18 AWG	CABLE	SN454 (NC)
2	SHLD	18/3 - 1060981	18 AWG	CABLE	SN455 (NC)
2	SHLD	18/3 - 1060981	18 AWG	CABLE	SN499 (NC)
2	SHLD	18/3 - 1060982	18 AWG	CABLE	SN380 (NC)
2	SHLD	18/3 - 1060982	18 AWG	CABLE	SN458 (NC)

X561					
CONN POS	WIRE COLOR	WIRE LABEL	GAUGE	JACKET	TO
1	N/A	SNSR SHLD GND	4 AWG	BRAID	S562 (1)

MS503 (5V BUSS)					
CONN POS	WIRE COLOR	WIRE LABEL	GAUGE	JACKET	TO
1	BLK	0-63	18 AWG	GXL	X456A (11)
3	WHT	19-56-1 SNSR SUP	18 AWG	GXL	X458A (9)
5	RED	18/3 - 1060981	18 AWG	CABLE	SN379 (2)
6	RED	18/3 - 1060981	18 AWG	CABLE	SN499 (A)
7	BLK	18/3 - 1060981	18 AWG	CABLE	SN379 (1)
8	BLK	18/3 - 1060981	18 AWG	CABLE	SN499 (B)

CO3-J3					
CONN POS	WIRE COLOR	WIRE LABEL	GAUGE	JACKET	TO
1	WHT	60-1 TWR L FC RTN	18 AWG	GXL	HV335 (2)
2	WHT	60-2 TWR T FC RTN	18 AWG	GXL	HV338 (2)
3	BLK	0-20	18 AWG	GXL	S378 (1)
4	WHT	60-3 L FC RTN	18 AWG	GXL	HV497 (2)
5	WHT	60-6 TWR T EN RTN	18 AWG	GXL	HV328 (2)
6	WHT	60-8 DN ENBL RTN	18 AWG	GXL	X384B (5)
7	YEL	2-16	18 AWG	GXL	AH353 (A)
9	WHT	47-6-2 ALT EXC	18 AWG	GXL	X384B (12)
12	YEL	18/3 - 1060982	18 AWG	CABLE	SN458 (A)
13	BLU	18/3 - 1060981	18 AWG	CABLE	SN499 (C)
14	WHT	60-7 TWR L EN RTN	18 AWG	GXL	HV327 (2)

Figure 7-167. Turntable Valve Harness - Sheet 9 of 11

SECTION 7 - BASIC ELECTRICAL INFORMATION & ELECTRICAL SCHEMATICS

CO3-J2					
CONN POS	WIRE COLOR	WIRE LABEL	GAUGE	JACKET	TO
2	WHT	55-31 CHAS ENBL	18 AWG	GXL	HV329 (1)
3	WHT	50-2 PLTFM DUMP	16 AWG	GXL	X384B (11)
4	WHT	15-1 TWR TELE IN	18 AWG	GXL	HV336 (1)
5	WHT	25-3-2 LVL UP O/R	18 AWG	GXL	X384B (9)
6	BLK	0-44	18 AWG	GXL	S373 (1)
7	WHT	25-4-2 LVL DN O/R	18 AWG	GXL	X384B (10)
8	WHT	55-12 TWR TELE FC	18 AWG	GXL	HV338 (1)
9	WHT	3-1 DN ENBL	18 AWG	GXL	X384B (7)
10	WHT	13-8 LIFT PLT	18 AWG	GXL	HV400 (1)
11	WHT	15-5 TWR TELE PLT	18 AWG	GXL	HV469 (1)
12	WHT	55-19 HYD WARM	18 AWG	GXL	HV341 (1)
13	WHT	50-4 MAIN DUMP	18 AWG	GXL	HV330 (1)
14	BLK	0-40	18 AWG	GXL	S357 (1)
15	WHT	22-2 SWG LFT	18 AWG	GXL	HV331 (1)
16	WHT	15-2 TWR TELE OUT	18 AWG	GXL	HV337 (1)
17	BLK	0-37	18 AWG	GXL	HV329 (2)
18	BLK	0-42	18 AWG	GXL	S359 (1)
19	WHT	13-7-1 FCNTRL O/R	18 AWG	GXL	X384B (6)
20	WHT	55-9 TWR LIFT FC	18 AWG	GXL	HV335 (1)
21	WHT	14-3 TWR LIFT DN	18 AWG	GXL	HV333 (1)
23	WHT	14-4 TWR LIFT UP	18 AWG	GXL	HV334 (1)
24	WHT	49-45 HYD OIL TEMP	18 AWG	GXL	SN377 (1)
25	WHT	47-10 FUL SNSR	18 AWG	GXL	SN355 (10)
26	WHT	52-7 H&T LT	18 AWG	GXL	X308B (1)
27	WHT	52-6 MOT ALARM	18 AWG	GXL	AH353 (B)
28	BLK	0-45	18 AWG	GXL	S356 (1)
29	BLK	0-44-3	18 AWG	GXL	HV469 (2)
30	BLK	0-43	18 AWG	GXL	S375 (1)
32	WHT	22-1 SWG RHT	18 AWG	GXL	HV332 (1)
33	WHT	55-11 TWR LIFT PLT	18 AWG	GXL	HV340 (1)
34	WHT	13-9 M L FCNTRL	18 AWG	GXL	HV497 (1)
35	WHT	55-32 SWG FC	18 AWG	GXL	HV352 (1)

X458A					
CONN POS	WIRE COLOR	WIRE LABEL	GAUGE	JACKET	TO
1	RED	18/3 - 1060981	18 AWG	CABLE	SN454 (2)
2	BLK	18/3 - 1060981	18 AWG	CABLE	SN454 (1)
3	BLU	18/3 - 1060981	18 AWG	CABLE	SN454 (4)
4	YEL	18/3 - 1060982	18 AWG	CABLE	SN380 (2)
5	BLK	18/3 - 1060982	18 AWG	CABLE	SN380 (1)
6	ORG	18/3 - 1060982	18 AWG	CABLE	SN380 (4)
7	BLK	18/3 - 1060982	18 AWG	CABLE	SN458 (B)
8	ORG	18/3 - 1060982	18 AWG	CABLE	SN458 (C)
9	WHT	19-56-1 SNSR SUP	18 AWG	GXL	MS503 (3)
10	BLU	18/3 - 1060981	18 AWG	CABLE	SN379 (4)
11	BLK	0-63	18 AWG	GXL	MS503 (1)
12	WHT	17-1 LOAD CUT VLV	18 AWG	GXL	HV468 (1)

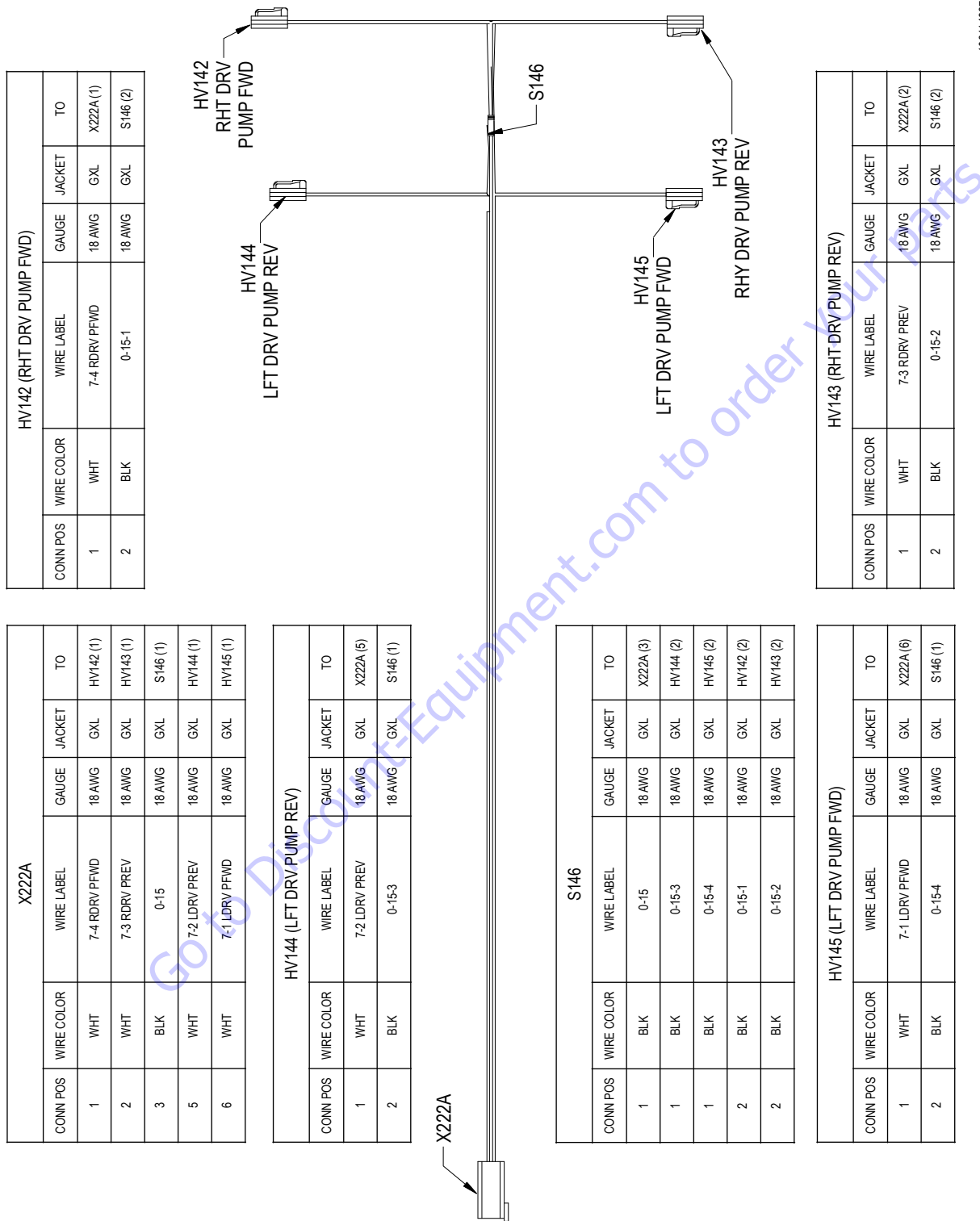
X384B					
CONN POS	WIRE COLOR	WIRE LABEL	GAUGE	JACKET	TO
1	RED	18/3 - 1060981	18 AWG	CABLE	SN455 (2)
2	BLU	18/3 - 1060981	18 AWG	CABLE	SN455 (4)
3	BLK	18/3 - 1060981	18 AWG	CABLE	SN455 (1)
4	WHT	55-7 TWR LIFT ENBL	18 AWG	GXL	HV327 (1)
5	WHT	60-8 DN ENBL RTN	18 AWG	GXL	CO3-J3 (6)
6	WHT	13-7-1 FCNTRL O/R	18 AWG	GXL	CO3-J2 (19)
7	WHT	3-1 DN ENBL	18 AWG	GXL	CO3-J2 (9)
8	WHT	55-8 TWR TELE ENBL	18 AWG	GXL	HV328 (1)
9	WHT	25-3-2 LVL UP O/R	18 AWG	GXL	CO3-J2 (5)
10	WHT	25-4-2 LVL DN O/R	18 AWG	GXL	CO3-J2 (7)
11	WHT	50-2 PLTFM DUMP	16 AWG	GXL	CO3-J2 (3)
12	WHT	47-6-2 ALT EXC	18 AWG	GXL	CO3-J3 (9)

Figure 7-168. Turntable Valve Harness - Sheet 10 of 11



Figure 7-169. Turntable Valve Harness - Sheet 11 of 11

SECTION 7 - BASIC ELECTRICAL INFORMATION & ELECTRICAL SCHEMATICS



1001149970 B

Figure 7-170. Drive Pump Harness

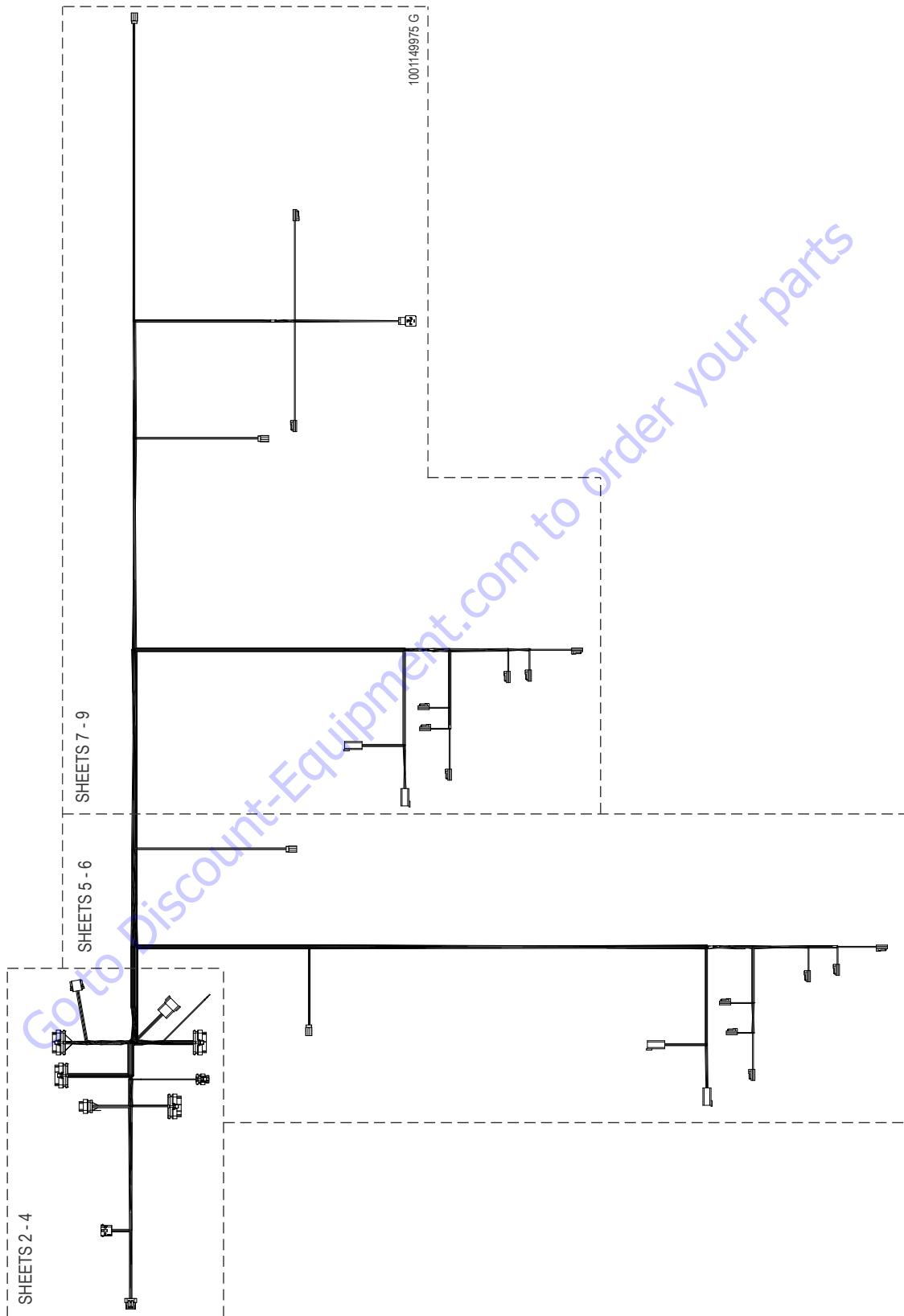


Figure 7-171. Chassis Harness - Sheet 1 of 10

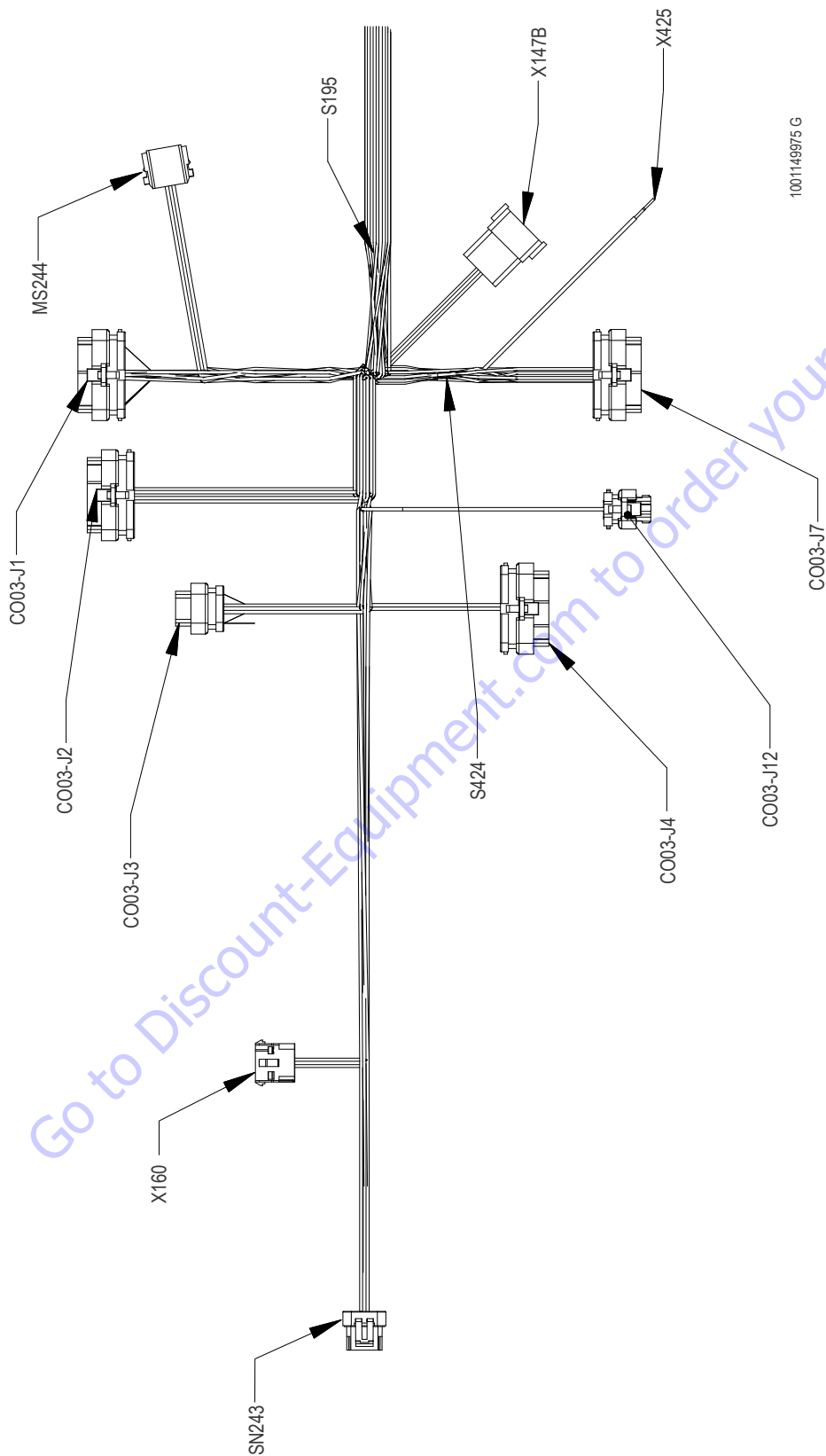


Figure 7-172. Chassis Harness - Sheet 2 of 10

SECTION 7 - BASIC ELECTRICAL INFORMATION & ELECTRICAL SCHEMATICS

SN243					
CONN POS	WIRE COLOR	WIRE LABEL	GAUGE	JACKET	TO
A	BLK	00-14	18 AWG	GXL	CO03-J1 (18)
B	WHT	61-1-6 5V	18 AWG	GXL	MS244 (1)
C	WHT	55-18 TTABLE ANG 2	18 AWG	GXL	CO03-J12 (2)
D	WHT	55-15 TTABLE ANG	18 AWG	GXL	CO03-J1 (16)
E	BLK	00-9	18 AWG	GXL	CO03-J1 (8)
F	WHT	61-1-5 5V	18 AWG	GXL	MS244 (2)

X160					
CONN POS	WIRE COLOR	WIRE LABEL	GAUGE	JACKET	TO
1	WHT	49-40 A-PWR	18 AWG	GXL	CO03-J1 (28)
2	WHT	49-39 A-RX	18 AWG	GXL	CO03-J1 (29)
3	WHT	49-38 A-TX	18 AWG	GXL	CO03-J1 (30)
4	BLK	00-7	18 AWG	GXL	CO03-J1 (31)

CO03-J3					
CONN POS	WIRE COLOR	WIRE LABEL	GAUGE	JACKET	TO
1	WHT	60-4 FAXS RTN	18 AWG	GXL	S167 (1)
2	WHT	60-5 RAXS RTN	18 AWG	GXL	S168 (1)
3	BLK	00-15	18 AWG	GXL	X445A (3)
12	WHT	61-1 5V	16 AWG	GXL	MS244 (6)
13	WHT	38-1 RLFT ASWG	18 AWG	GXL	X445A (2)

CO03-J4					
CONN POS	WIRE COLOR	WIRE LABEL	GAUGE	JACKET	TO
24	WHT	JUMPER	18 AWG	GXL	CO03-J4 (25)
25	WHT	JUMPER	18 AWG	GXL	CO03-J4 (24)
31	WHT	JUMPER	18 AWG	GXL	CO03-J4 (32)
32	WHT	JUMPER	18 AWG	GXL	CO03-J4 (31)

CO03-J12					
CONN POS	WIRE COLOR	WIRE LABEL	GAUGE	JACKET	TO
2	WHT	55-18 TTABLE ANG 2	18 AWG	GXL	SN243 (C)

CO03-J2					
CONN POS	WIRE COLOR	WIRE LABEL	GAUGE	JACKET	TO
1	WHT	55-13 2 SPD	18 AWG	GXL	HV178 (1)
4	WHT	38-2 FAXS EXT	18 AWG	GXL	HV161 (1)
5	WHT	38-4 RAXS EXT	18 AWG	GXL	HV163 (1)
6	BLK	00-2	18 AWG	GXL	X442A (3)
7	WHT	38-6 RAXS RET	18 AWG	GXL	HV164 (1)
8	WHT	9-5 RREAR STRR	18 AWG	GXL	HV174 (1)
9	WHT	9-7 LREAR STRR	18 AWG	GXL	HV176 (1)
11	WHT	9-4 RFRNT STRR	18 AWG	GXL	HV170 (1)
13	WHT	55-14 BRAKE	18 AWG	GXL	HV179 (1)
14	BLK	00-1	18 AWG	GXL	S181 (1)
16	WHT	38-3 FAXS RET	18 AWG	GXL	HV162 (1)
17	BLK	00-3	18 AWG	GXL	S205 (1)
18	BLK	00-5	18 AWG	GXL	S203 (1)
19	WHT	9-6 RREAR STRL	18 AWG	GXL	HV175 (1)
20	WHT	9-8 LREAR STRL	18 AWG	GXL	HV177 (1)
22	WHT	9-1 RFRNT STRL	18 AWG	GXL	HV171 (1)
25	WHT	38-5 FAXS RHT	18 AWG	GXL	X442A (2)
28	BLK	00-4	18 AWG	GXL	S202 (1)
30	BLK	00-6	18 AWG	GXL	S204 (1)
34	WHT	9-3 LFRNT STRL	18 AWG	GXL	HV173 (1)
35	WHT	9-2 LFRNT STRR	18 AWG	GXL	HV172 (1)

CO03-J1					
CONN POS	WIRE COLOR	WIRE LABEL	GAUGE	JACKET	TO
8	BLK	00-9	18 AWG	GXL	SN243 (E)
9	BLK	00-8	18 AWG	GXL	S195 (1)
14	WHT	38-10 FAXS LFT	18 AWG	GXL	X449B (2)
15	WHT	38-9 RAXS RHT	18 AWG	GXL	X448B (2)
16	WHT	55-15 TTABLE ANG	18 AWG	GXL	SN243 (D)
18	BLK	00-14	18 AWG	GXL	SN243 (A)
28	WHT	49-40 A-PWR	18 AWG	GXL	X160 (1)
29	WHT	49-39 A-RX	18 AWG	GXL	X160 (2)
30	WHT	49-38 A-TX	18 AWG	GXL	X160 (3)
31	BLK	00-7	18 AWG	GXL	X160 (4)

Figure 7-173. Chassis Harness - Sheet 3 of 10

SECTION 7 - BASIC ELECTRICAL INFORMATION & ELECTRICAL SCHEMATICS

CO03-J7					
CONN POS	WIRE COLOR	WIRE LABEL	GAUGE	JACKET	TO
3	WHT	49-100 ENABLE	18 AWG	GXL	CO03-J7 (34)
4	BLU	RHT FRNT STR	18 AWG	CABLE	X340A (3)
5	RED	LFT REAR STR	18 AWG	CABLE	X339A (2)
6	WHT	120 OHM	18 AWG	GXL	CO03-J7 (17)
7	BLU	LFT FRONT STR	18 AWG	CABLE	X337A (3)
8	BLU	LFT REAR STR	18 AWG	CABLE	X339A (3)
9	BLK	RHT FRNT STR	18 AWG	CABLE	X340A (1)
10	BLK	LFT FRNT STR	18 AWG	CABLE	X337A (1)
11	WHT	55-17 DOS	18 AWG	GXL	X147B (11)
12	WHT	49-70 HYD. OC	18 AWG	GXL	SN423 (2)
13	YEL	CAN HI	18 AWG	J1939 CABLE	X147B (1)
15	WHT	55-14 BRAKE	18 AWG	GXL	X147B (7)
16	RED	RHT FRNT STR	18 AWG	CABLE	X340A (2)
17	WHT	120 OHM	18 AWG	GXL	CO03-J7 (6)
18	SHLD	CAN SHLD	18 AWG	J1939 CABLE	X147B (7)
20	BLU	RHT REAR STR	18 AWG	CABLE	X338A (3)
24	GRN	CAN LOW	18 AWG	J1939 CABLE	X147B (2)
25	BLK	RHT REAR STR	18 AWG	CABLE	X338A (1)
26	RED	LFT FRNT STR	18 AWG	CABLE	X337A (2)
27	RED	RHT REAR STR	18 AWG	CABLE	X338A (2)
28	BLK	LFT REAR STR	18 AWG	CABLE	X339A (1)
29	YEL	02-4	18 AWG	GXL	X147B (12)
32	WHT	49-71 HYD. OC RTN	18 AWG	GXL	SN423 (1)
34	WHT	49-100 ENABLE	18 AWG	GXL	CO03-J7 (3)

X425					
CONN POS	WIRE COLOR	WIRE LABEL	GAUGE	JACKET	TO
1	BLK	00-12	16 AWG	GXL	S424 (1)

X147B					
CONN POS	WIRE COLOR	WIRE LABEL	GAUGE	JACKET	TO
1	YEL	CAN HI	18 AWG	J1939 CABLE	CO03-J7 (13)
2	GRN	CAN LOW	18 AWG	J1939 CABLE	CO03-J7 (24)
3	SHLD	CAN SHLD	18 AWG	J1939 CABLE	CO03-J7 (18)
7	WHT	55-14 BRAKE	18 AWG	GXL	CO03-J7 (15)
11	WHT	55-17 DOS	18 AWG	GXL	CO03-J7 (11)
12	YEL	02-4	18 AWG	GXL	CO03-J7 (29)

S424					
CONN POS	WIRE COLOR	WIRE LABEL	GAUGE	JACKET	TO
1	BLK	00-12	16 AWG	GXL	X425 (1)
2	SHIELD	SHLD	18 AWG	SHLD	X337A (4)
2	SHIELD	SHLD	18 AWG	SHLD	X338A (4)
2	SHIELD	SHLD	18 AWG	SHLD	X339A (4)
2	SHIELD	SHLD	18 AWG	SHLD	X340A (4)

S195					
CONN POS	WIRE COLOR	WIRE LABEL	GAUGE	JACKET	TO
1	BLK	00-8	18 AWG	GXL	CO03-J1 (9)
2	BLK	00-8-1	18 AWG	GXL	X448B (3)
2	BLK	00-8-2	18 AWG	GXL	X449B (3)

MS244					
CONN POS	WIRE COLOR	WIRE LABEL	GAUGE	JACKET	TO
1	WHT	61-1-6 5V	18 AWG	GXL	SN243 (B)
2	WHT	61-1-5 5V	18 AWG	GXL	SN243 (F)
3	WHT	61-1-4 5V	18 AWG	GXL	X449B (1)
4	WHT	61-1-3 5V	18 AWG	GXL	X448B (1)
6	WHT	61-1 5V	16 AWG	GXL	CO03-J3 (12)
7	WHT	61-1-1 5V	18 AWG	GXL	X442A (1)
8	WHT	61-1-2 5V	18 AWG	GXL	X445A (1)

Figure 7-174. Chassis Harness - Sheet 4 of 10